



Ice Machine Parts List for Series B0320 Models

BR0320A

BD0323W

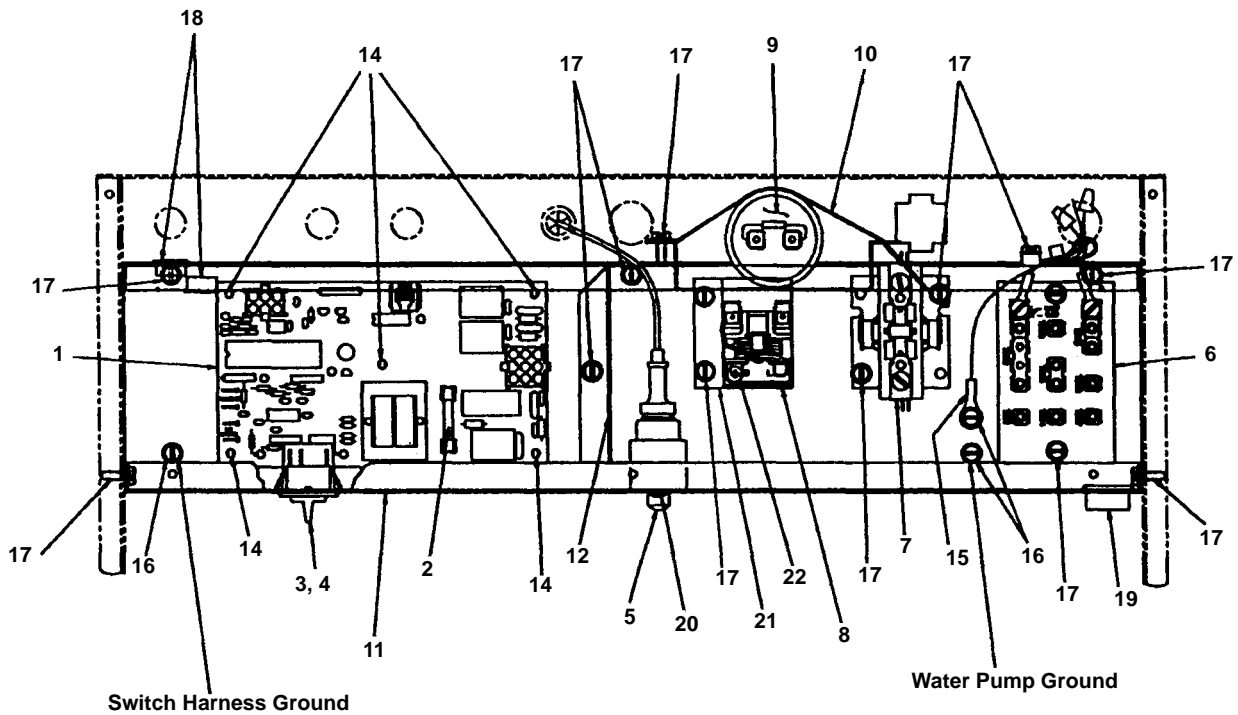
BR0321W

BY0324A

BD0322A

BY0325W

B0320 CONTROL BOX



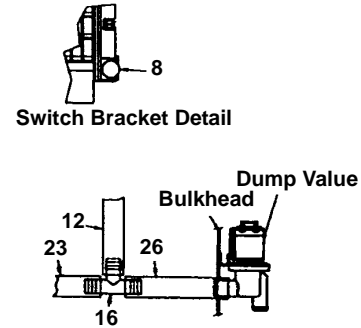
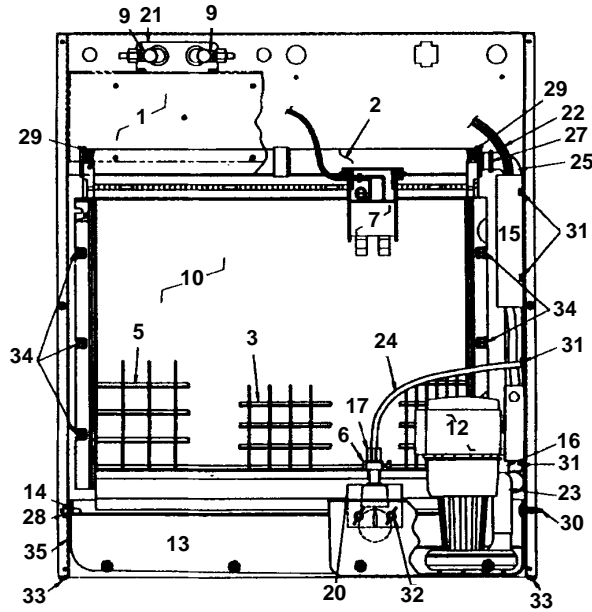
1261

DESCRIPTION

	PART NO.
1 Control Board (For use with all voltages)	† 7628003
2 Fuse, 7 Amp	2511003
a. Mini-fuse, 0.125 amp	† 2511169
3 Toggle Switch Only	2301343
4 Toggle Switch With Wiring Harness	† 2031059
5 High Pressure Cut-out	† 2355369
6 Terminal Board With Harness	No Longer Available
7 Contactor	† 2006589
8 Start Relay	8503743
9 Start Capacitor	8503713
10 Capacitor Bracket	No Longer Available
11 Control Box	No Longer Available
12 Control Board Cover	No Longer Available
13 Control Box Cover With Labels (Not shown)	No Longer Available
14 Support for Control Board	4302253
15 Ground Lead	2077423
16 Screw, #10-24 x 0.50 Ground	† 5202169
17 Screw, #10-24 x 0.50 Hex Head	† 5202069
18 Bushing 0.625"	† 2500169
19 Bushing 0.875"	† 2501409
20 Screw, #8 x 0.75 Serrated	† 5121669
21 Relay Mounting Bracket	No Longer Available
22 Screw #8-32 x 0.25 Phil	No Longer Available

† Refer to Cross Reference Guide

B0320 EVAPORATOR COMPARTMENT



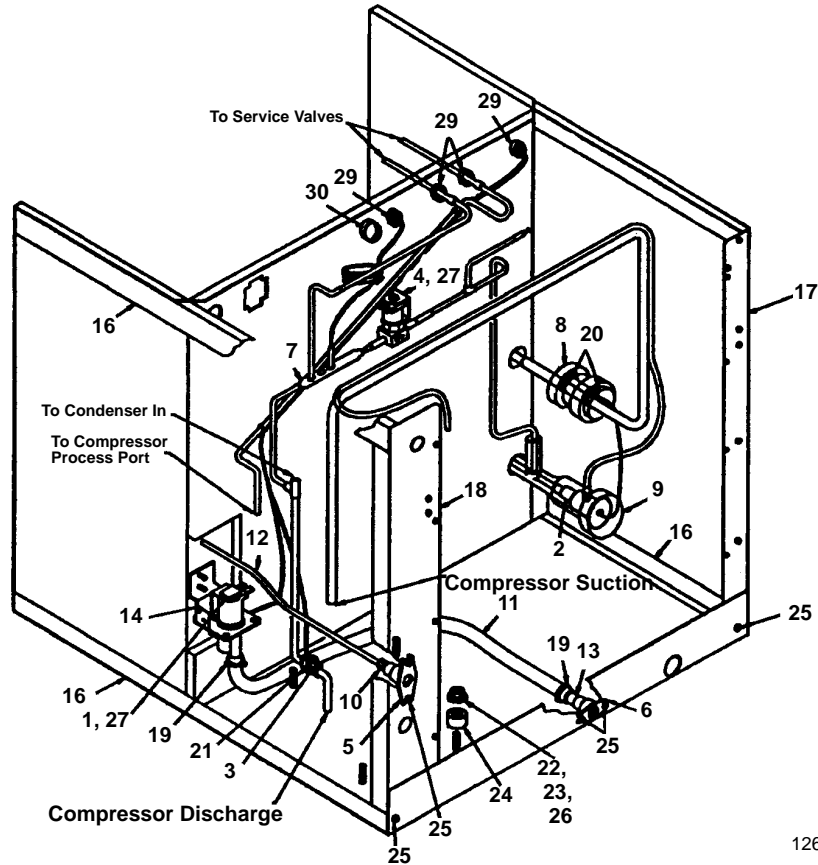
1262

DESCRIPTION

	PART NO.
1 Control Box Cover	No Longer Available
2 Distribution Tube Assembly	† 7624983
3 Evaporator Assembly, Dice Cube	† 7625199
4 Evaporator Assembly, Half Dice Cube	† 7625189
5 Evaporator Assembly, Regular Cube	† 7625209
6 Float Valve Complete Assembly	† 8369049
7 Ice Thickness Control	† 7627813
8 Magnetic Switch With Housing	† 2301483
9 Process Valve With Stem	† 8373109
10 Water Curtain Assembly	† 4004773
a. Water Curtain Hanger	7627763
b. Water Curtain Magnet and Clip	† 7628023
11 Water Flow Clamp Regular Cube Only	7620543
12 Water Pump, 115V / 60 Hz	† 7623063
13 Water Trough	6002451
14 Water Trough Support Pin	† 4302019
15 Pump Cord Channel	No Longer Available
16 Barbed Tee	8391033
17 Compression Nut	† 5650729
18 Float Valve Screen Only (Not shown)	† 8369069
19 Float Valve Plunger Only (Not shown)	† 8369089
20 Mounting Bracket for Float Valve	00000136
21 Service Valve Bracket	No Longer Available
22 Water Pump Lead	† 2078103
23 Tubing, Vinyl 0.625 ID (Pump to tee)	† 4421013
24 Tubing, Vinyl 0.25 OD (Incoming fresh water)	4420291
25 Tubing, Vinyl 0.625 ID With Elbow	† 4421023
26 Tubing, Vinyl 0.625 ID (Tee to dump valve)	† 4420383
27 Hose Clamp	† 5650709
28 Hex Nut, Nylon	† 5429459
29 Screw, Nylon, Thumb #8-32 x 0.63	† 5000013
30 Screw, Push-in Thumbscrew	† 5012279
31 Screw, #10-24 x 0.50	† 5202069
32 Wing Nut #8-32	† 5489139
33 Screw, # 10-24 x 0.625	† 5202079
34 Screw to Mount Evaporator	† 5202189
35 Splash Shield	No Longer Available
36 Evaporator Gasket/Top Molding Assembly (Not shown)	7626213

† Refer to Cross Reference Guide

B0320 COMMON COMPRESSOR COMPARTMENT PARTS



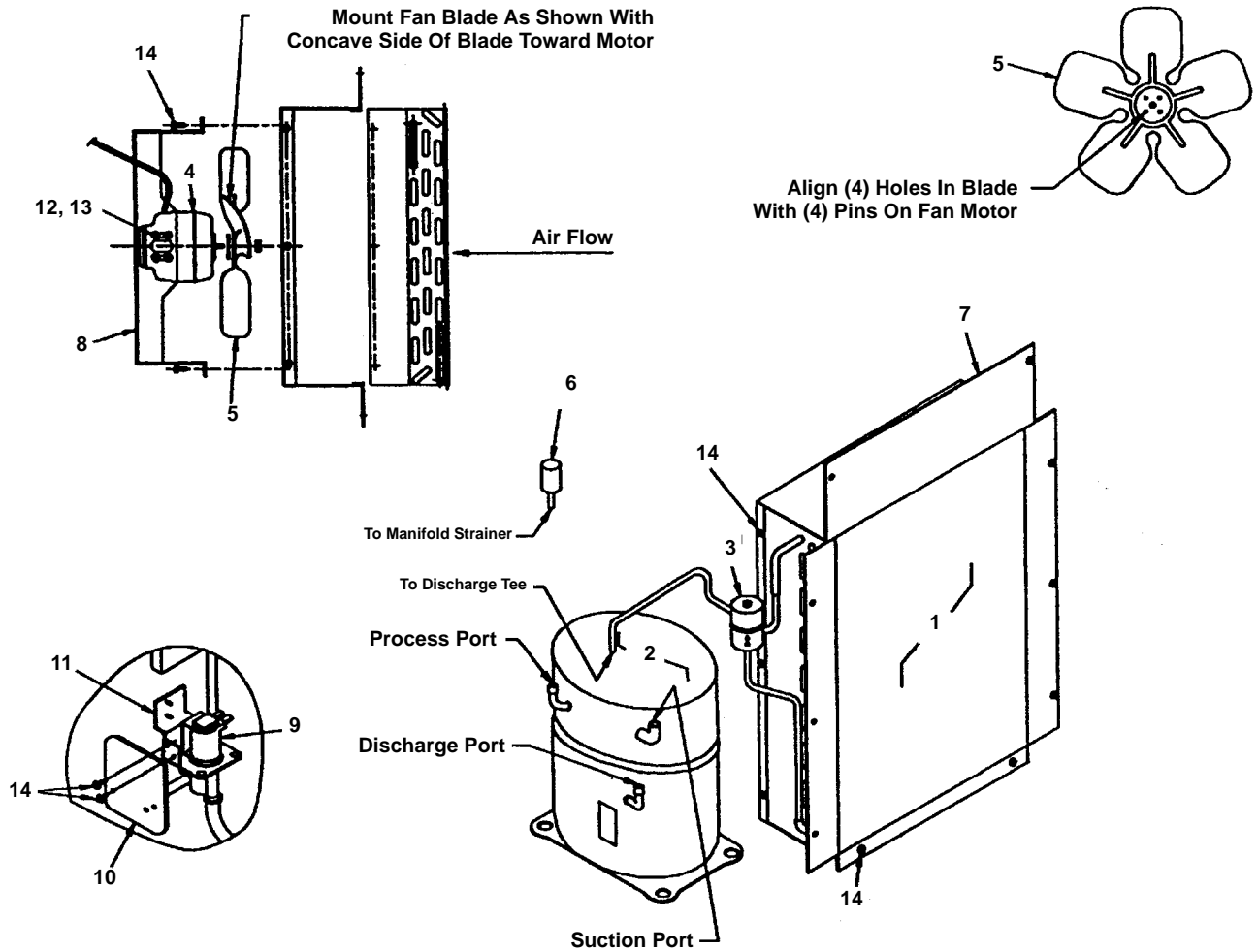
1263

DESCRIPTION

DESCRIPTION	PART NO.
1 Dump Valve, 115V	00001767
2 Expansion Valve	† 7625083
3 NTC Thermistor	2351163
4 Solenoid Valve 115V/60 Hz (Danfoss)	† 7630011
5 Adapter, Water Inlet	† 8706093
6 Water Outlet Adapter	1706021
7 Manifold Strainer	8310163
8 Neoprene Bulb Boot	4007203
9 Neoprene TXV Boot	4007213
10 Union, Water Inlet	1360961
11 Vinyl Tube, 0.625 ID (White preformed)	No Longer Available
12 Vinyl Tube, 0.25 OD (Incoming fresh water)	4420291
13 Tube, Copper Drain	110481
14 Dump Valve Mounting Bracket	6002611
15 Dump Valve Shield (Air only)	† 7000623
16 Side Frame Angle	No Longer Available
17 LH Corner Post Weldment	No Longer Available
18 RH Corner Post Weldment	No Longer Available
19 Clamp, Plastic Drain	† 5650709
20 Clamp, Worm Drive Hex Head	† 5650529
21 Clamp, Worm Gear	5650773
22 Flatwasher 0.312"	† 5573099
23 Nut Hex 0.375"	† 5430029
24 Rubber Grommet	† 8503069
25 Screw, #10-24 x 0.5	† 5202069
26 Sleeve	† 8503949
27 Alco Coil Only	2404363
28 Danfoss Coil Only	000005156
29 Bushing, 0.625 ID	† 2500169
30 Bushing, 0.875 ID	† 2501409

† Refer to Cross Reference Guide

B0320 AIR-COOLED



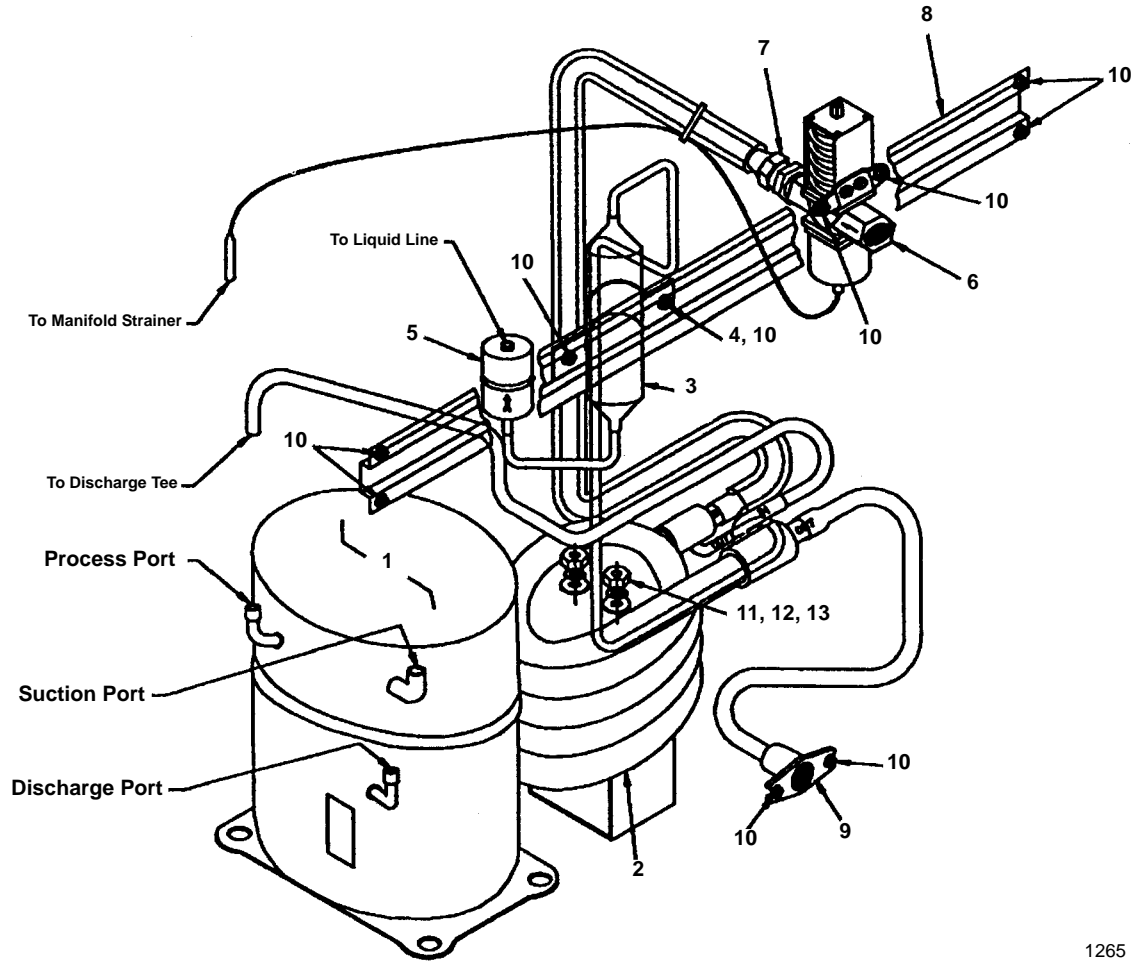
1264

DESCRIPTION

		PART NO.
1	Air Condenser.....	8850853
2	Compressor Assembly, 115V/60 Hz.....	No Longer Available
	a. Overload Protector.....	† 8504793
3	Drier.....	† 8930259
4	Fan Motor.....	† 2412813
5	Fan Blade.....	2416223
6	Fan Cycling Control.....	† 2001263
7	Fan Shroud.....	6003241
8	Fan Motor Mount.....	6887814
9	Dump Valve 115V.....	00001767
10	Water Solenoid Shield.....	† 7000623
11	Bracket for Dump Valve.....	6002611
12	Flatwasher.....	† 5504269
13	Screw, #8-36 x 0.44.....	† 5025599
14	Screw, #10-24 x 0.50.....	† 5202069
15	Air Filter (Not shown).....	No Longer Available
16	Air Filter Bracket (Not shown).....	† 7626863

† Refer to Cross Reference Guide

B0320 WATER-COOLED



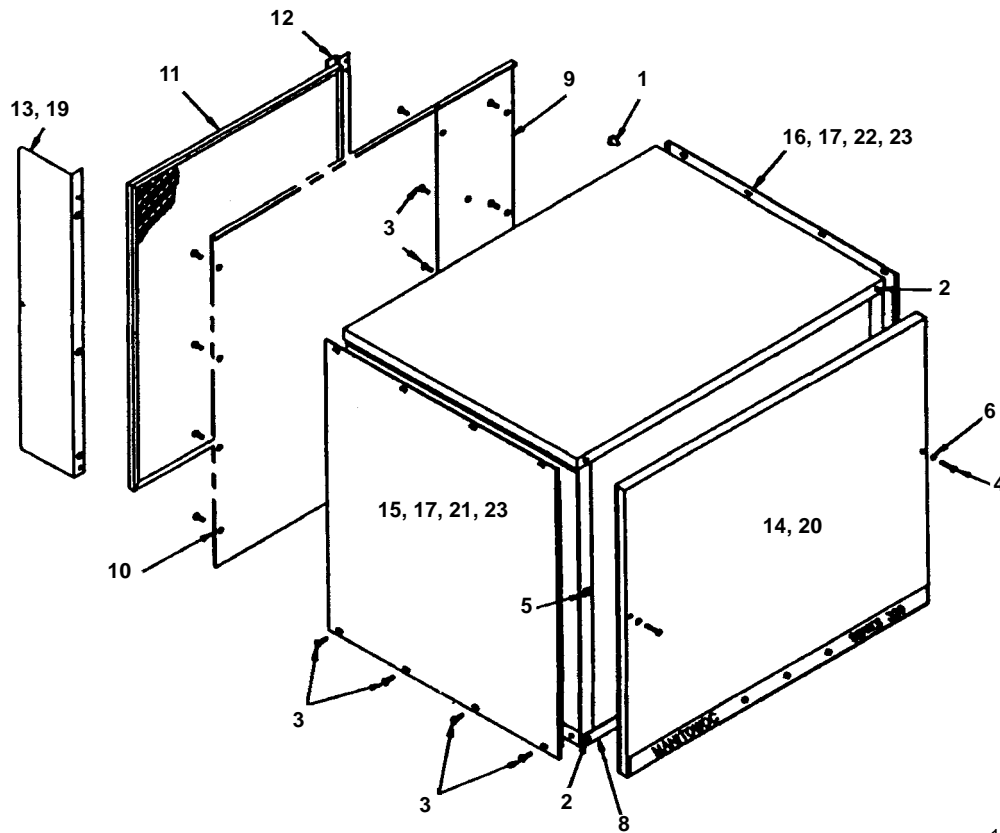
1265

DESCRIPTION

	PART NO.
1 Compressor, 115V/60 Hz	No Longer Available
a. Overload Protector	8504683
2 Water Condenser	8865197
3 Receiver	000008892
4 Receiver Strap	No Longer Available
5 Drier	† 8930259
6 Water Regulating Valve	† 8372069
7 Coupling	8332033
8 Bracket - Receiver/Valve Mounting	No Longer Available
9 Female Wing Adapter, Condenser Drain	No Longer Available
10 Screw, #10-24 x 0.50	† 5202069
11 Flatwasher 0.312	† 5573099
12 Lockwasher 0.38 Split	† 5545149
13 Nut 0.375 Hex	† 5430029

† Refer to Cross Reference GuideS

B0320 PANELS



1266

COMMON

	PART NO.
1 Canoe Clip Fastener	No Longer Available
2 Screw, #10-24 x 0.50 Flat	† 5202099
3 Screw, #10-24 x 0.50 Hex	† 5202069
4 Screw, #8-32 x 1.25	† 5026689
5 Threaded Insert	† 5768659
6 "O" Ring	† 3718199
7 Extruded Tape Gasket	† 9202509
8 Front Support	No Longer Available
9 Back Panel, Air	No Longer Available
10 Back Panel, Water	No Longer Available
11 Air Filter	No Longer Available
12 Filter Bracket	† 7626863

FAWN

13 Air Baffle	No Longer Available
14 Front Panel Assembly	No Longer Available
15 LH Side Panel, Air	No Longer Available
16 RH Side Panel, Air	No Longer Available
17 Side Panel, Water	No Longer Available
18 Top Cover	No Longer Available

STAINLESS STEEL

19 Air Baffle	6002203
20 Front Panel Assembly	No Longer Available
21 LH Side Panel, Air	No Longer Available
22 RH Side Panel, Air	No Longer Available
23 Side Panel, Water	6003983
24 Top Cover	No Longer Available

† Refer to Cross Reference Guide

B0320 ELECTRICAL APPLICATIONS

All parts are the same as 115V Model with the following exceptions:

230V/50 Hz

	PART NO.
Compressor	No Longer Available
Overload	No Longer Available
Start Relay	No Longer Available
Start Capacitor	8503723
Contactors	† 2006599
Fan Motor	† 2412823
Solenoid Valve 208-230V/50-60 Hz (Danfoss)	† 7630071
Dump Valve, 208-230V	000001768
Water Pump	† 7626013
Hex Nipple 0.75 x 0.50	8700383
Hex Nipple 0.75 x 0.38	8700393
0.1 Amp Mini-fuse On Control Board	2511053
7 Amp Fuse On Control Board	2511003

230V/60 Hz

	PART NO.
Compressor	No Longer Available
Overload	No Longer Available
Start Capacitor	8503723
Start Relay	No Longer Available
Water Pump	† 7626013
Dump Valve, 208-230V	000001768
Solenoid Valve 208-230V/50-60 Hz (Danfoss)	† 7630071
Fan Motor	† 2412823
Contactors	† 2006599