



## **Ice Machine Parts List for Series B0450 Models**

**BR0450A**

**BD0492N**

**BR0451W**

**BY0454A**

**BR0490N**

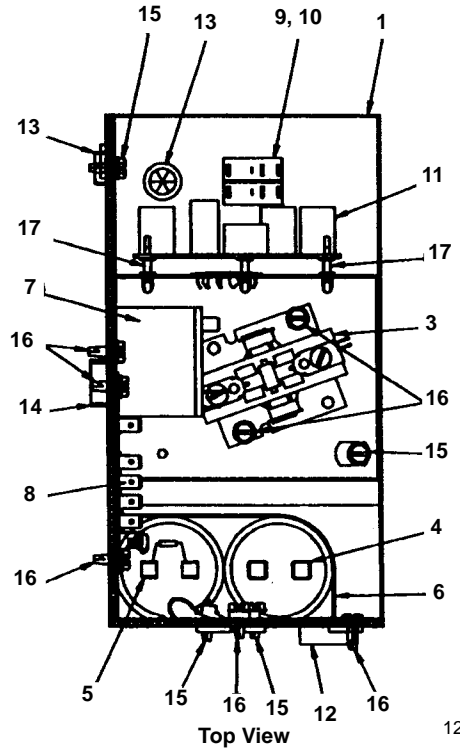
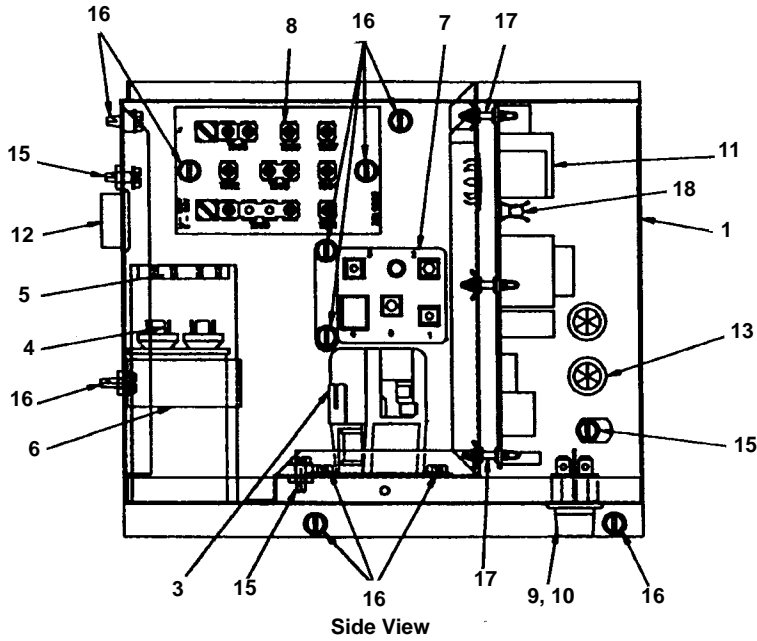
**BY0455W**

**BD0452A**

**BY0494N**

**BD0453W**

## B0450 CONTROL BOX



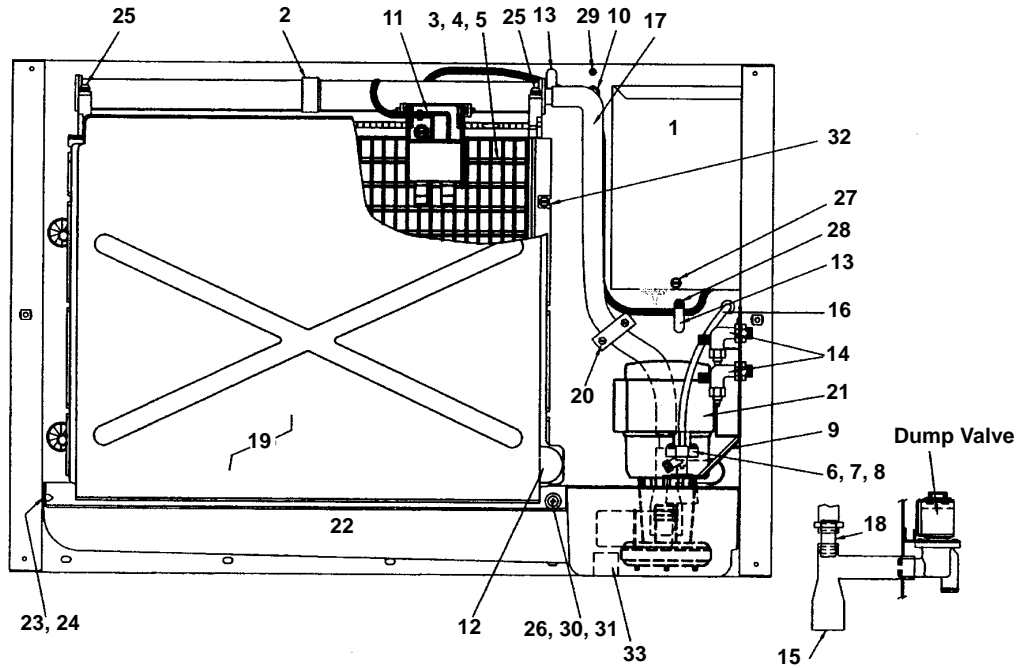
1281

### DESCRIPTION

	<b>PART NO.</b>
1 Control Box . . . . .	No Longer Available
2 Control Box Cover w/Labels . . . . .	† 7625073
3 Contactor for 1 Phase Unit . . . . .	† 2006589
4 Run Capacitor . . . . .	† 8503423
5 Start Capacitor . . . . .	8503723
6 Capacitor Bracket . . . . .	No Longer Available
7 Start Relay . . . . .	2007993
8 Terminal Board w/Harness . . . . .	2031003
9 Toggle Switch Only . . . . .	2301343
10 Toggle Switch With Wiring Harness . . . . .	† 2031059
11 Control Board (For use with all voltages) . . . . .	† 7628003
12 Bushing - 1.187" . . . . .	† 2500019
13 Bushing - 0.625" . . . . .	† 2500169
14 Bushing - 0.875" . . . . .	† 2501409
15 Screw, #10-24 x 0.50 Ground . . . . .	† 5202169
16 Screw, #10-24 x 0.50 Hex Head . . . . .	† 5202069
17 Support For Control Board . . . . .	4302253
18 Fuse, 7 Amp . . . . .	2511003
19 Mini-fuse, 0.125 Amp . . . . .	† 2511169

† Refer to Cross Reference Guide

## B0450 EVAPORATOR COMPARTMENT



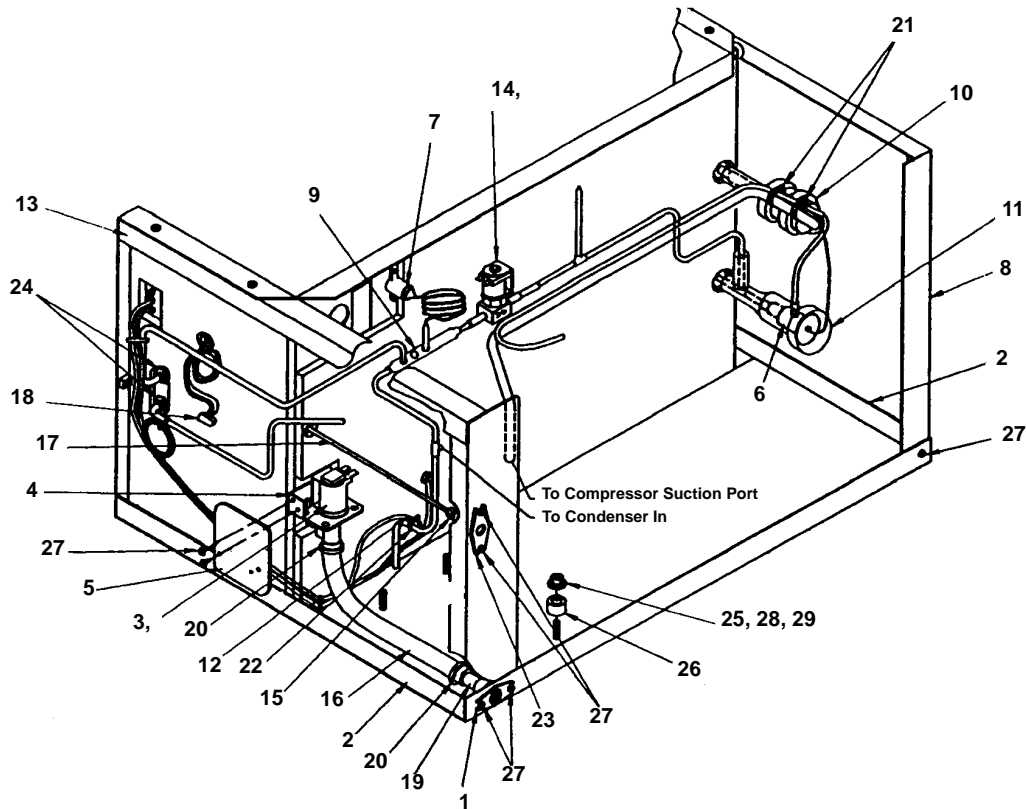
1282

### DESCRIPTION

DESCRIPTION	PART NO.
1 Control Box Cover . . . . .	† 7625073
2 Distribution Tube Assembly . . . . .	† 7624983
3 Evaporator Assembly, Dice Cube . . . . .	† 7625149
4 Evaporator Assembly, Half Dice Cube . . . . .	† 7625139
5 Evaporator Assembly, Regular Cube . . . . .	† 7625159
6 Float Valve Complete Assembly . . . . .	† 8369049
7 Float Valve Screen . . . . .	† 8369069
8 Float Valve Plunger . . . . .	† 8369089
9 Float Valve Mounting Bracket . . . . .	† 7621403
10 High Pressure Cut-out . . . . .	2355363
11 Ice Thickness Control . . . . .	† 7627813
12 Magnetic Switch With Housing . . . . .	† 2301483
13 Nylon Spring Clip . . . . .	† 5650699
14 Process Valve With Stem . . . . .	† 8373109
15 Reducing Tee, Rubber . . . . .	4300573
16 Tubing, Vinyl 0.25 OD . . . . .	4420291
17 Tubing, Vinyl 0.625 ID With Elbow . . . . .	4420833
18 Union Connector, White Nylon . . . . .	8390053
19 Water Curtain Assembly . . . . .	† 4304643
a. Water Curtain Hanger . . . . .	7627763
b. Water Curtain Magnet and Clip . . . . .	† 7628023
20 Water Flow Clamp (Regular cube only) . . . . .	7620543
21 Water Pump, 115V/60 Hz . . . . .	† 7623063
22 Water Trough . . . . .	† 7627483
23 Water Trough Support Pin . . . . .	† 4302019
24 Hex Nut, Nylon . . . . .	† 5429459
25 Screw, Nylon, Thumb #8-32 x 0.63 . . . . .	† 5000013
26 Screw, Push-in Used Up to SN 930662504 . . . . .	† 5012279
27 Screw, #10-24 x 0.50 . . . . .	† 5202069
28 Screw, #10-24 x 0.625 . . . . .	† 5202059
29 Screw, #8 x 0.75 . . . . .	† 5121669
30 Clip in Receptacle Used After SN 930662504 . . . . .	5650853
31 Wing Head Stud Used After SN 930662504 . . . . .	5650863
32 Screw to Mount Evaporator . . . . .	† 5202189
33 Water Trough Support Clip Assembly . . . . .	† 7627043
34 Evaporator Gasket/Top Molding Assembly (Not shown) . . . . .	7626213

† Refer to Cross Reference Guide

## B0450 COMMON PARTS



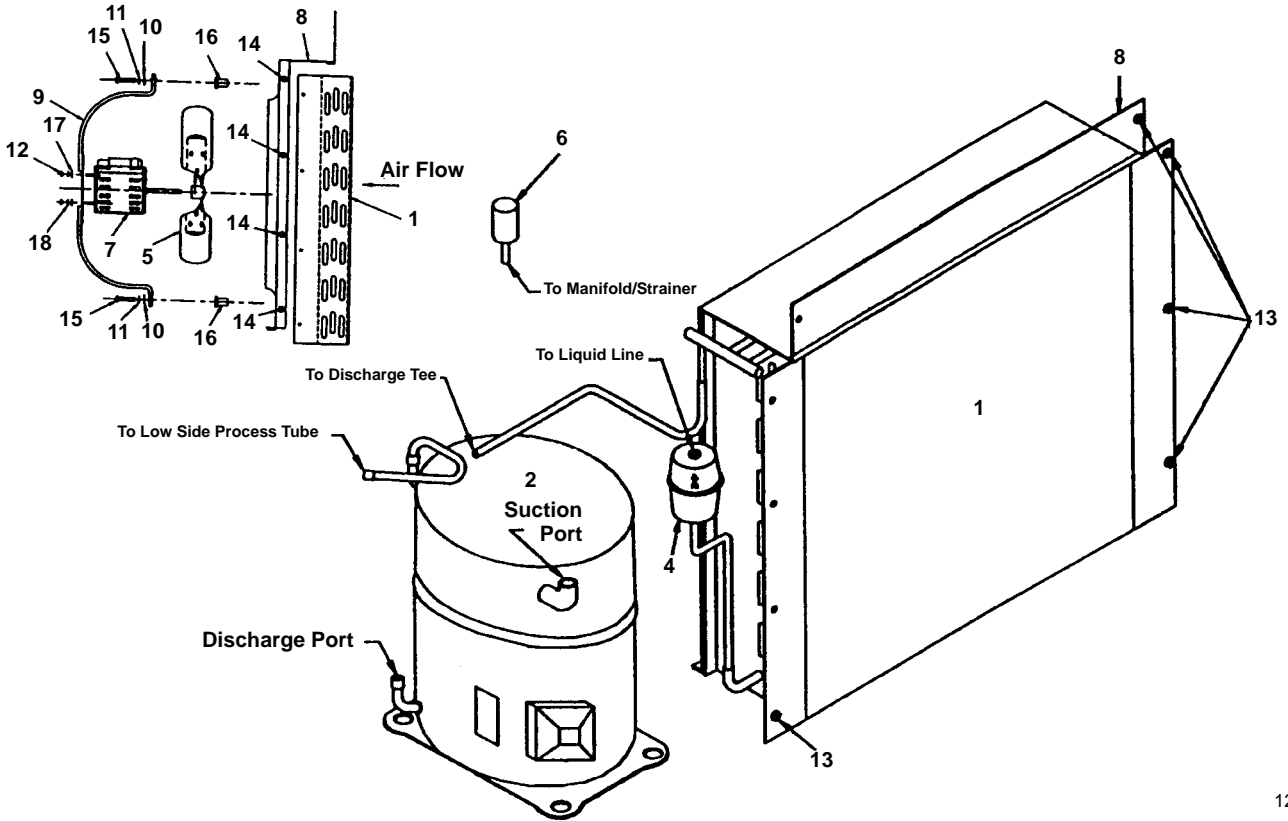
1283

### DESCRIPTION

	<b>PART NO.</b>
1 Adapter, Water Outlet . . . . .	1706021
2 Angle . . . . .	No Longer Available
3 Dump Valve, 115V . . . . .	000001767
4 Dump Valve Mounting Bracket . . . . .	6260314
5 Dump Valve Shield (Air only) . . . . .	† 7000623
6 Expansion Valve . . . . .	† 7625083
7 High Pressure Cut-out . . . . .	† 2355369
8 LH Corner Post Weldment . . . . .	No Longer Available
9 Manifold Strainer . . . . .	8310163
10 Neoprene Bulb Boot . . . . .	4007203
11 Neoprene TXV Boot . . . . .	4007213
12 NTC Thermistor . . . . .	2351163
13 RH Corner Post Weldment . . . . .	No Longer Available
14 Solenoid Valve 115V/60 Hz (Danfoss) . . . . .	† 7630011
15 Union, Water Inlet . . . . .	1360961
16 Vinyl Tube, 0.625 ID . . . . .	† 4420383
17 Vinyl Tube, 0.25 OD . . . . .	4420291
18 Water Pump Lead . . . . .	† 2078103
19 Tube, Copper Drain . . . . .	110481
20 Clamp, Plastic Drain . . . . .	† 5650709
21 Clamp, Worm Drive Hex Head . . . . .	† 5650529
22 Clamp, Worm Gear . . . . .	5650773
23 Female Wing Adapter . . . . .	† 8706093
24 Nut, Hex Locknut . . . . .	† 5475039
25 Nut Hex 0.375 . . . . .	† 5430029
26 Rubber Grommet . . . . .	† 8503069
27 Screw, #10-24 x 0.5 . . . . .	† 5202069
28 Sleeve . . . . .	† 8503949
29 Washer, Flat 0.312 . . . . .	† 5573099
30 Danfoss Coil Only . . . . .	000005156
30 Alco Coil Only . . . . .	2404363

† Refer to Cross Reference Guide

# B0450 AIR-COOLED



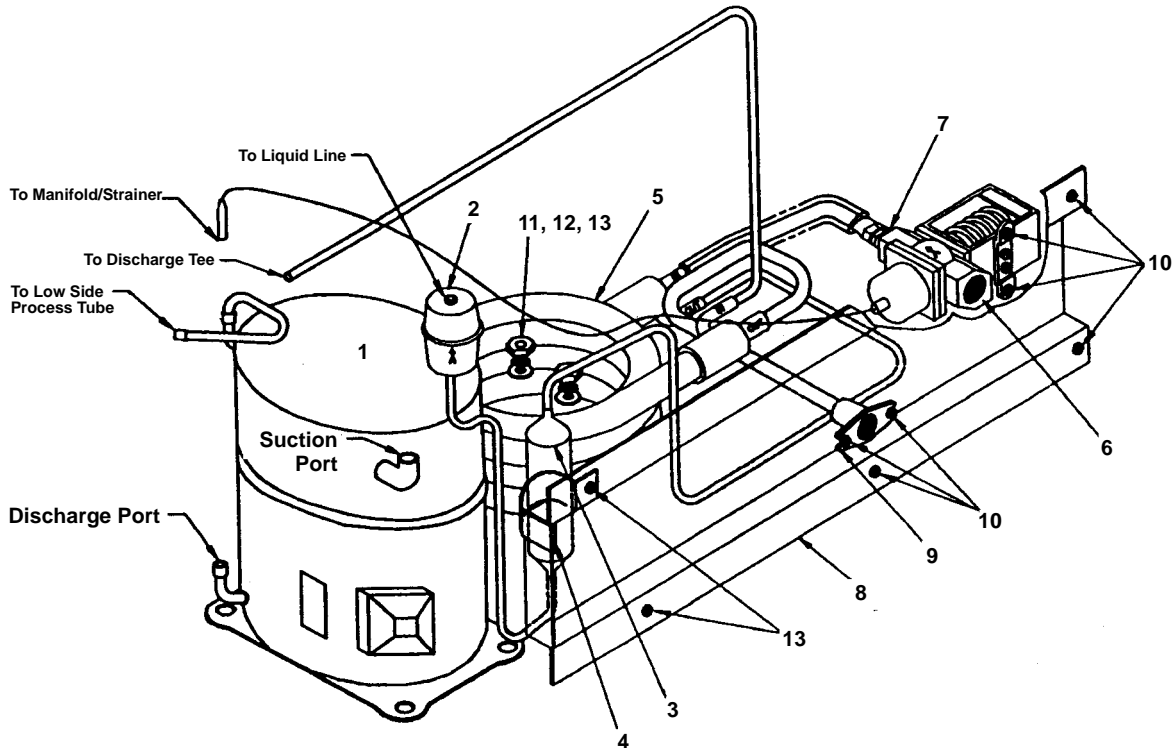
1284

## DESCRIPTION

	<b>PART NO.</b>
1 Air Condenser . . . . .	No Longer Available
2 Compressor Assembly, 115V/60 Hz. . . . .	† 7628103
a. Overload Protector for Tecumseh AK9458J . . . . .	8504293
b. Overload Protector for Tecumseh AK170AT039A4D . . . . .	8505553
3 Capacitor for Fan Motor (Emerson) . . . . .	8504583
4 Drier . . . . .	† 8930259
5 Fan Blade . . . . .	2416203
6 Fan Cycling Control . . . . .	† 2001263
7 Fan Motor . . . . .	† 2412929
8 Fan Shroud . . . . .	No Longer Available
9 Wire Motor Mount . . . . .	3406623
10 Flatwasher 0.25 . . . . .	† 5573059
11 Lockwasher 0.25 Split . . . . .	† 5545109
12 Nut 0.25-20 . . . . .	† 5429069
13 Screw, #10-24 x 0.50 . . . . .	† 5202069
14 Screw, #10-24 x 0.625 . . . . .	† 5202059
15 Screw, 1/4 x 1.75 . . . . .	† 5033589
16 Well Nut 0.25-20 . . . . .	† 5429559
17 Flatwasher . . . . .	† 5504269
18 Lockwasher #8 . . . . .	† 5544599
19 Air Filter (Not shown) . . . . .	4040023
20 Air Filter Bracket (Not shown) . . . . .	† 7626863

† Refer to Cross Reference Guide

# B0450 WATER-COOLED



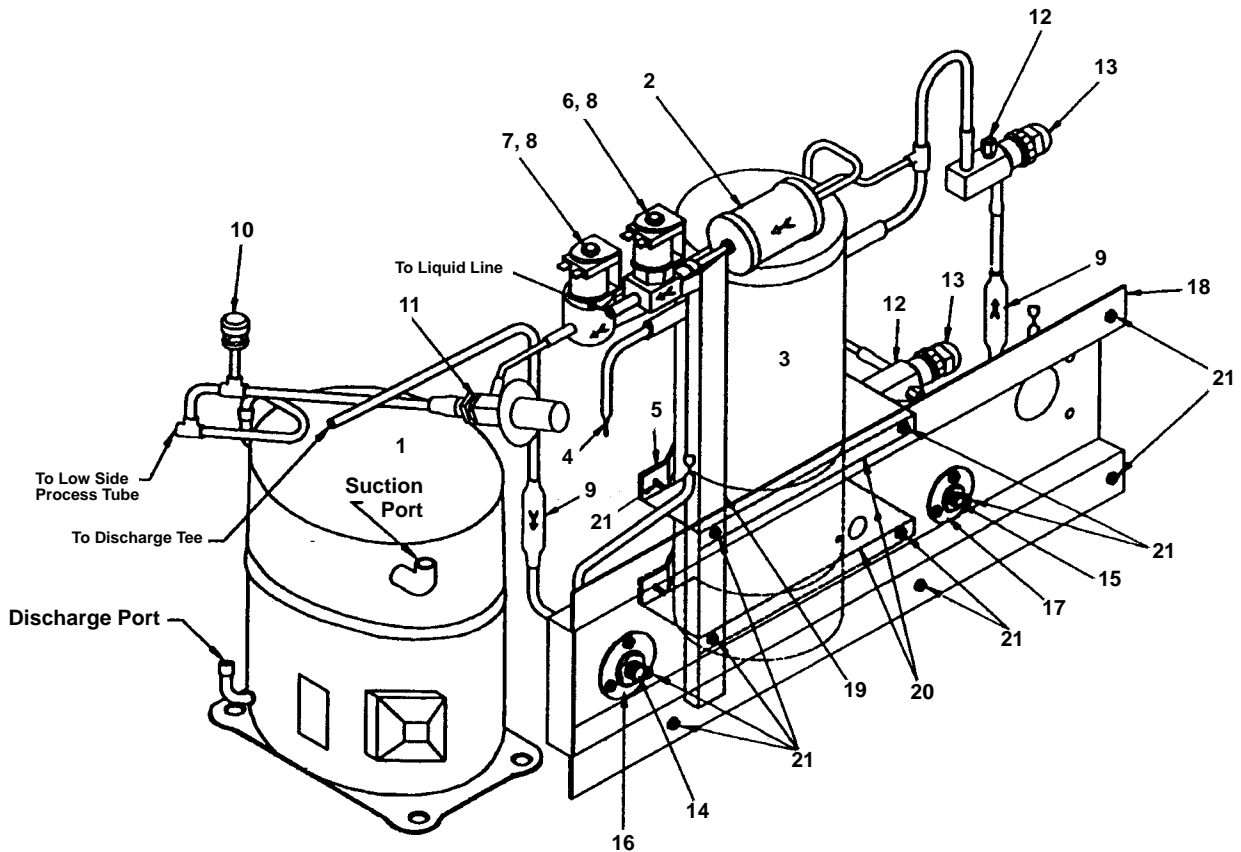
1285

## DESCRIPTION

		<b>PART NO.</b>
1	Compressor, 115V/60 Hz . . . . .	† 7628103
	a. Overload Protector for Tecumseh AK9458J . . . . .	8504293
	b. Overload Protector for Tecumseh AK170AT039A4D. . . . .	8505553
2	Drier . . . . .	† 8930259
3	Receiver . . . . .	000008892
4	Receiver Strap . . . . .	6000541
5	Water Condenser . . . . .	† 8865323
6	Water Regulating Valve . . . . .	† 8372069
7	Coupling . . . . .	8332033
8	Coupling Mounting Bracket. . . . .	No Longer Available
9	Female Wing Adapter . . . . .	No Longer Available
10	Screw, #10-24 x 0.50 . . . . .	† 5202069
11	Flatwasher 0.312 . . . . .	† 5573099
12	Lockwasher 0.38 Split. . . . .	† 5545149
13	Nut - 0.375 Hex. . . . .	† 5430029

† Refer to Cross Reference Guide

# B0450 REMOTE



1286

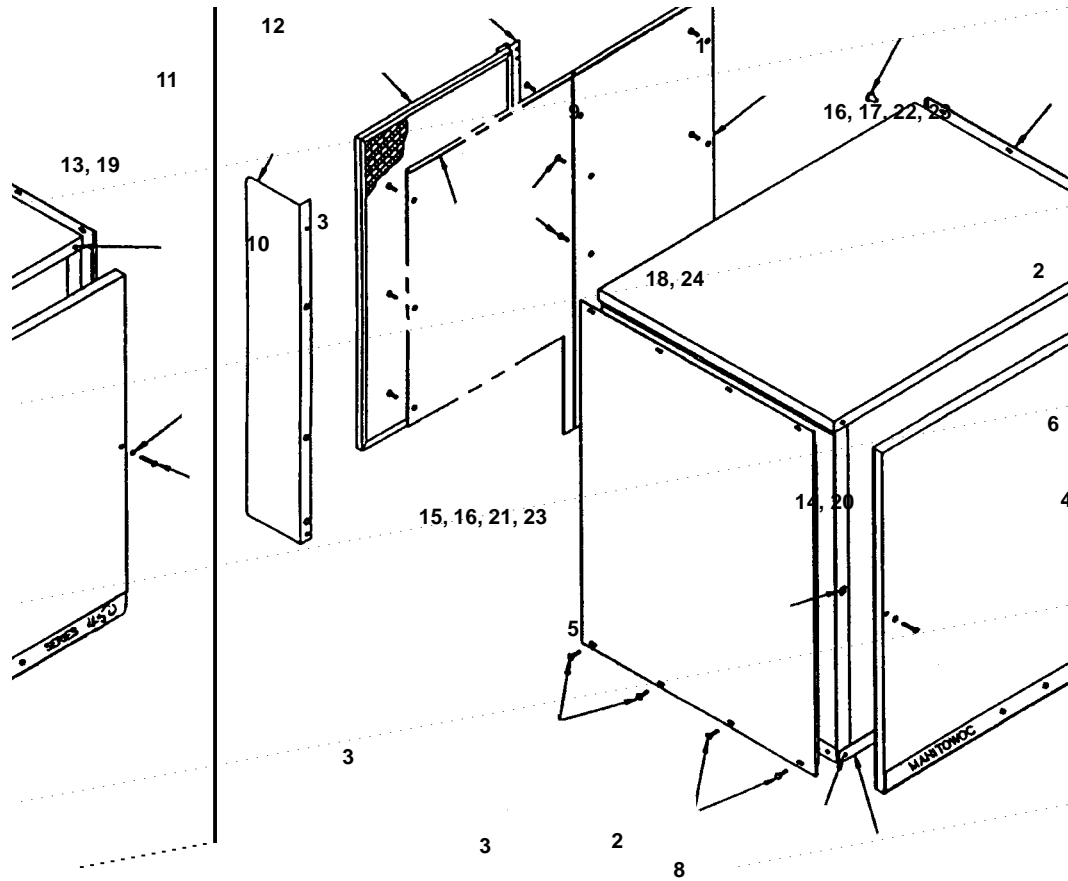
## DESCRIPTION

	<b>PART NO.</b>
1 Compressor, 115V/60 Hz . . . . .	† 7628103
a. Overload Protector for Tecumseh AK9458J . . . . .	8504293
b. Overload Protector for Tecumseh AK170AT039A4D . . . . .	8505553
2 Drier . . . . .	† 8930279
3 Receiver . . . . .	No Longer Available
4 Safety Soft Plug . . . . .	No Longer Available
5 Receiver Mounting Strap . . . . .	6307214
6 Solenoid Valve 115V/60 Hz (Danfoss) . . . . .	† 7630021
7 Solenoid Valve, HPR 115V/60 Hz (Danfoss) . . . . .	† 7630001
8 Danfoss Coil Only . . . . .	000005156
8 Alco Coil Only . . . . .	2404363
9 Magni-Check Valve . . . . .	† 8373149
10 Low Pressure Cut-out . . . . .	† 2355409
11 Pressure Regulator Valve . . . . .	† 8367793
12 Brass Angle Valve . . . . .	† 8373169
13 Brass Angle Valve, Cap Only . . . . .	5650753
14 Coupling - Male 1 1/612 . . . . .	† 8360353
15 Coupling - Male 5/8-18 . . . . .	† 8360343
16 Mounting Flange . . . . .	8360063
17 Mounting Flange . . . . .	8360053
18 Panel, Coupling Mounting . . . . .	No Longer Available
19 Bracket Weldment . . . . .	No Longer Available
20 Mounting Bracket for Receiver . . . . .	6000561
21 Screw, #10-24 x 0.50 . . . . .	† 5202069

Female Coupling Kit (On line set) (Not shown) . . . . . SALES K0129

† Refer to Cross Reference Guide

## B0450 PANELS



1287

### COMMON

	<b>PART NO.</b>
1 Canoe Clip Fastener . . . . .	No Longer Available
2 Screw, #10-24 x 0.50 Flat . . . . .	† 5202099
3 Screw, #10-24 x 0.50 Hex. . . . .	† 5202069
4 Screw, #8-32 x 1.25 . . . . .	† 5026689
5 Cage Nut 8-12 . . . . .	† 5429109
6 "0" Ring . . . . .	† 3718199
7 Extruded Tape (Not shown) . . . . .	† 9202509
8 Front Support . . . . .	† 6580419
9 Back Panel, Air . . . . .	No Longer Available
10 Back Panel, Remote & Water . . . . .	No Longer Available
11 Air Filter . . . . .	4040023
12 Filter Bracket. . . . .	† 7626863

### FAWN

13 Air Baffle . . . . .	No Longer Available
14 Front Panel Assembly. . . . .	No Longer Available
15 LH Side Panel, Air . . . . .	No Longer Available
16 RH Side Panel, Air . . . . .	No Longer Available
17 Side Panel, Water or Remote . . . . .	No Longer Available
18 Top Cover . . . . .	No Longer Available

### STAINLESS STEEL

19 Air Baffle . . . . .	6002203
20 Front Panel Assembly. . . . .	† 7625263
21 LH Side Panel, Air . . . . .	No Longer Available
22 RH Side Panel, Air . . . . .	No Longer Available
23 Side Panel, Water or Remote . . . . .	No Longer Available
24 Top Cover . . . . .	No Longer Available

† Refer to Cross Reference Guide



## B0450 ELECTRICAL APPLICATIONS

All parts are the same as 115V Model with the following exceptions:

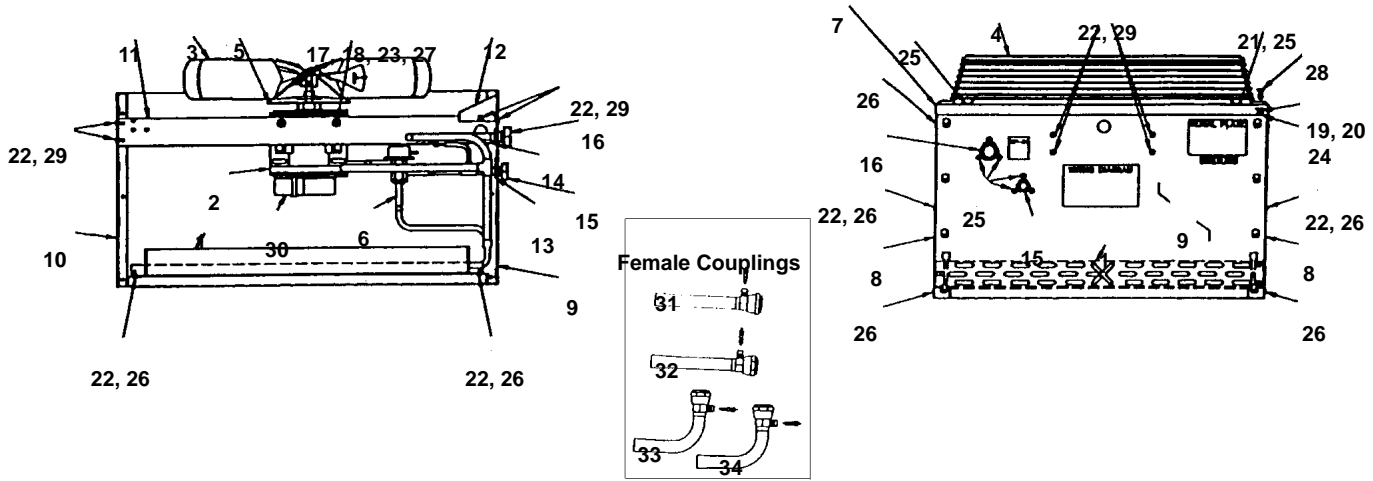
### 230V/50/1

	<b>PART NO.</b>
Compressor 208-230/1 .....	† 7628113
Overload Protector for Tecumseh AK9458J. ....	No Longer Available
Overload Protector for Tecumseh AK170JT039A4D .....	8505573
Start Capacitor .....	8503723
Start Relay .....	8504483
Run Capacitor .....	8504003
Water Pump .....	† 7626013
Contactors .....	† 2006599
Fan Motor .....	† 2412939
Dump Valve, 208-230V .....	000001768
Hot Gas Solenoid Valve Assembly 208-230V/50-60 Hz (Danfoss) .....	† 7630071
0.1 Amp Mini-fuse On Control Board .....	2511053
7 Amp Fuse On Control Board .....	2511003

### 208V230V/60/1

Compressor .....	† 7628123
Overload Protector for Tecumseh AK9458J. ....	No Longer Available
Overload Protector for Tecumseh AK170ET039A4D .....	8505563
Start Relay .....	8504553
Run Capacitor .....	8504003
Start Capacitor .....	8503723
Water Pump Assembly .....	† 7626013
Hot Gas Solenoid Valve Assembly 208-230V/50-60 Hz (Danfoss) .....	† 7630071
Dump Valve, 208-230V .....	000001768
Fan Motor .....	† 2412939
Contactors .....	† 2006599
0.1 Amp Mini-fuse On Control Board .....	2511053
7 Amp Fuse On Control Board .....	2511003

# BC0495 REMOTE CONDENSER



1289

## DESCRIPTION

	<b>PART NO.</b>
1 Air Condenser . . . . .	8850633
2 Fan Motor, 115V/60 Hz . . . . .	† 7629423
3 Fan Blade . . . . .	2416113
4 Fan Guard . . . . .	3400643
5 Rain Slinger . . . . .	2415053
6 Head Pressure Control . . . . .	000004070
7 Top Cover . . . . .	† 6017751
8 Panel, Side . . . . .	† 6017741
9 Panel, Rear . . . . .	† 6017731
10 Panel, Front . . . . .	† 6017721
11 Base Bracket . . . . .	† 6017681
12 Electrical Cover . . . . .	† 6017761
13 Mounting Flange 0.25 x 0.38 . . . . .	8360053
14 Mounting Flange 0.50 x 0.88 . . . . .	8360063
15 Coupling, Male 0.63-18 . . . . .	† 8360343
16 Coupling, Male 1.06-12 . . . . .	† 8360353
17 Lockwasher 0.31 Split . . . . .	† 5573139
18 Washer - Flat 0.31 ID . . . . .	† 5573099
19 Washer - Flat 0.25 Stainless . . . . .	† 5573049
20 Lockwasher 0.25 Split Stainless . . . . .	† 5545119
21 Lockwasher #10 Int. Phos . . . . .	† 5544649
22 Lockwasher #8 Int. Phos . . . . .	† 5544599
23 Nut 0.31-18 Steel Hex . . . . .	† 5429759
24 Nut 0.25-20 Steel Hex . . . . .	† 5429529
25 Screw, #10-24 x 0.62 . . . . .	† 5202059
26 Screw, #8 x 0.5 . . . . .	† 5121539
27 Screw, 0.31-18 x 0.62 . . . . .	† 5035659
28 Screw, 0.25-2 x 0.62 . . . . .	† 5033459
29 Screw, #8-32 x 0.50 . . . . .	† 5026249
30 Fan Capacitor . . . . .	No Longer Available
31 Female Coupling, Straight, 5/8 x 18 . . . . .	8360483
32 Female Coupling, Straight, 1-1/16 x 12 . . . . .	8360273
33 Female Coupling, 90°, 5/8 x 18 . . . . .	8360473
34 Female Coupling, 90°, 1-1/16 x 12 . . . . .	† 8360263

† Refer to Cross Reference Guide