



## **Ice Machine Parts List for Series B1800 Models**

**BR1800A**

**BD1892N**

**BR1801W**

**BY1804A**

**BR1890N**

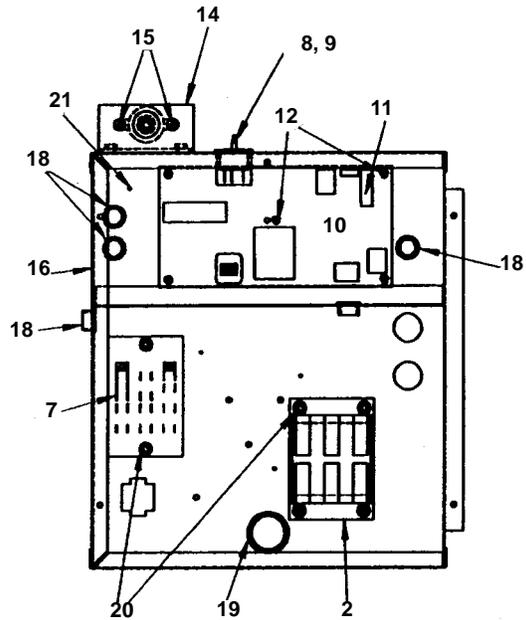
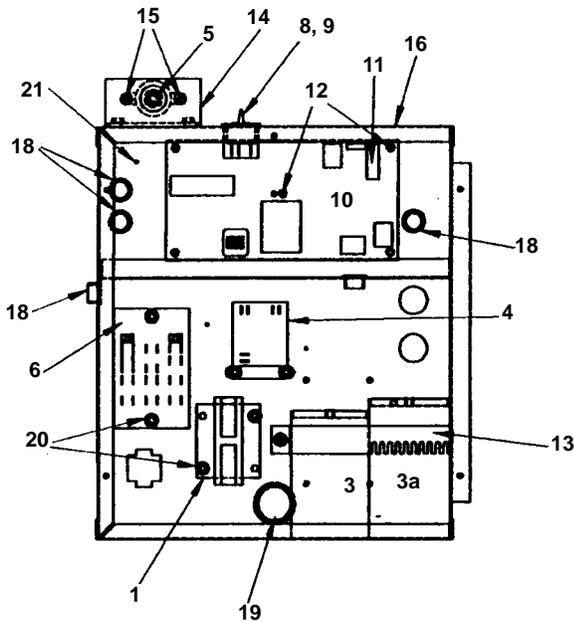
**BY1805W**

**BD1802A**

**BY1894N**

**BD1803W**

# B1800 CONTROL BOX



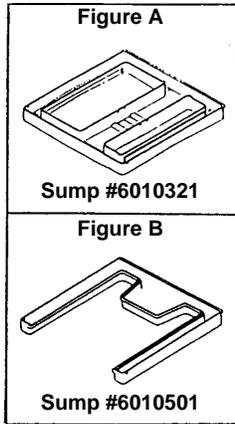
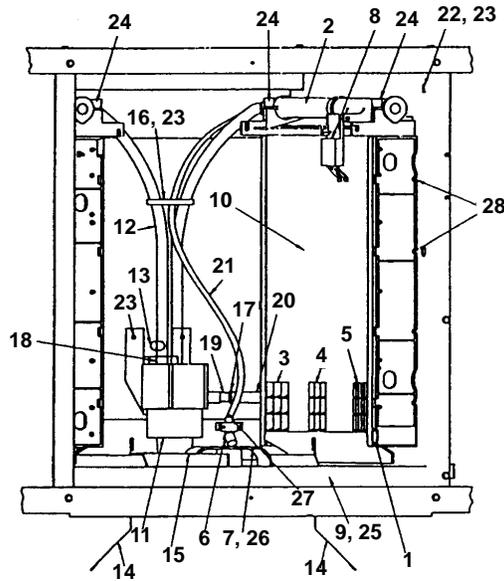
1331

## DESCRIPTION

DESCRIPTION	PART NO.
1 Contactor For 1 phase units . . . . .	No Longer Available
2 Contactor For 3 phase units . . . . .	2006619
3 Run Capacitor For Bristol . . . . .	† 000000028
3 Run Capacitor For Tecumseh . . . . .	000001395
3a Start Capacitor For Bristol . . . . .	No Longer Available
3 Start Capacitor For Tecumseh . . . . .	8505523
4 Start Relay For Bristol . . . . .	No Longer Available
4 Start Relay For Tecumseh . . . . .	2007519
5 High Pressure Cut-out . . . . .	† 2355369
6 Terminal Board With Harness, 1 phase . . . . .	No Longer Available
7 Terminal Board With Harness, 3 phase . . . . .	2031413
8 Toggle Switch . . . . .	2301343
9 Toggle Switch With Wiring Harness . . . . .	† 2031059
10 Control Board (For use with all voltages) . . . . .	† 7628003
11 Fuse For Control Board, 7 Amp . . . . .	2511003
11 Mini-fuse For Control Board, 0.125 Amp* . . . . .	† 2511169
12 Support For Control Board . . . . .	4302253
13 Capacitor Bracket . . . . .	No Longer Available
14 Mounting Bracket/High Press Control . . . . .	No Longer Available
15 Screw, #8 x 3/4 . . . . .	† 5121669
16 Control Box . . . . .	No Longer Available
17 Control Box Cover With Labels . . . . .	No Longer Available
18 Bushing, 0.625" . . . . .	† 2502189
19 Bushing, 1.187" . . . . .	2500011
20 Screw, #10-24 x 0.50 . . . . .	† 5202069
21 Screw, #10-24 x 0.50 . . . . .	† 5202169

\* See Page 9 for 50 Hz Applications

# B1800 EVAPORATOR COMPARTMENT



1332

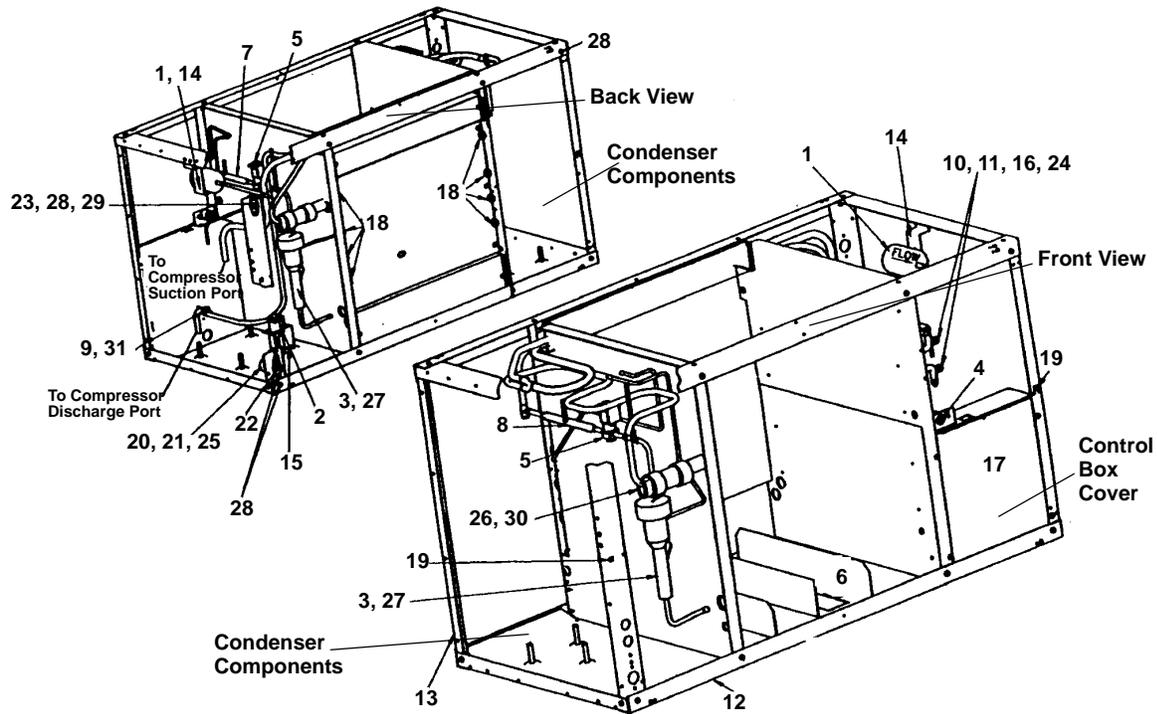
## DESCRIPTION

	PART NO.
1 Bin Switch .....	† 2301483
2 Distribution Tube .....	† 7624983
3 Evaporator, Regular Cube, RH or LH .....	† 7625019
4 Evaporator, Dice Cube, RH or LH .....	† 7625029
5 Evaporator, Half Dice Cube, RH or LH .....	† 7625039
6 Float Valve .....	8369133
7 Float Valve Bracket Used With Figure A Sump Trough .....	No Longer Available
a. Float Valve Bracket Used With Figure B Sump Trough .....	† 7621403
8 Ice Thickness Control .....	† 7627813
9 Sump Trough (Up to SN 950460000, See Figure A) .....	† 6010321
9a Sump Trough (After SN 950460000, See Figure B) .....	6010501
10 Water Curtain .....	† 4004733
a. Water Curtain Hanger .....	7627763
b. Water Curtain Magnet And Clip .....	† 7628023
11 Water Pump* .....	† 7626013
12 Water Pump Discharge Tube .....	4420913
13 Water Pump Lead .....	2077743
14 Ice Baffle .....	No Longer Available
15 Ice Baffle Support Used With Figure A Sump Trough .....	No Longer Available
Ice Baffle Support Used With Figure B Sump Trough .....	No Longer Available
16 Loop Clamp 2.00" Diameter .....	No Longer Available
17 Clamp .....	† 5650709
18 Hose Clamp .....	† 5650539
19 Union Connector, White Nylon, Straight .....	8390053
a. Union Connector, 90 Degrees .....	8390123
20 Vinyl Tube, 0.625 ID .....	† 4420383
21 Poly Tubing, 1/4 OD .....	4420291
22 Nylon Spring Clip .....	† 5650699
23 Screw, #10-24 x 0.50 .....	† 5202069
24 Thumbscrew, #8-32 .....	† 5000013
25 Push-in Screw (Mounting sump trough) .....	† 5012279
26 Shield, Mylar Splash For Float .....	No Longer Available
27 Compression Nut .....	† 5650729
28 Screw for Mounting Evaporator .....	† 5202189
29 Water Curtain Stop .....	No Longer Available
30 Splash Shield .....	No Longer Available
31 Evaporator Gasket/Top Molding Assembly (Not shown) .....	7626213

\* See Page 9 for 50 Hz Applications

† Refer to Cross Reference Guide

## B1800 COMMON COMPRESSOR COMPARTMENT



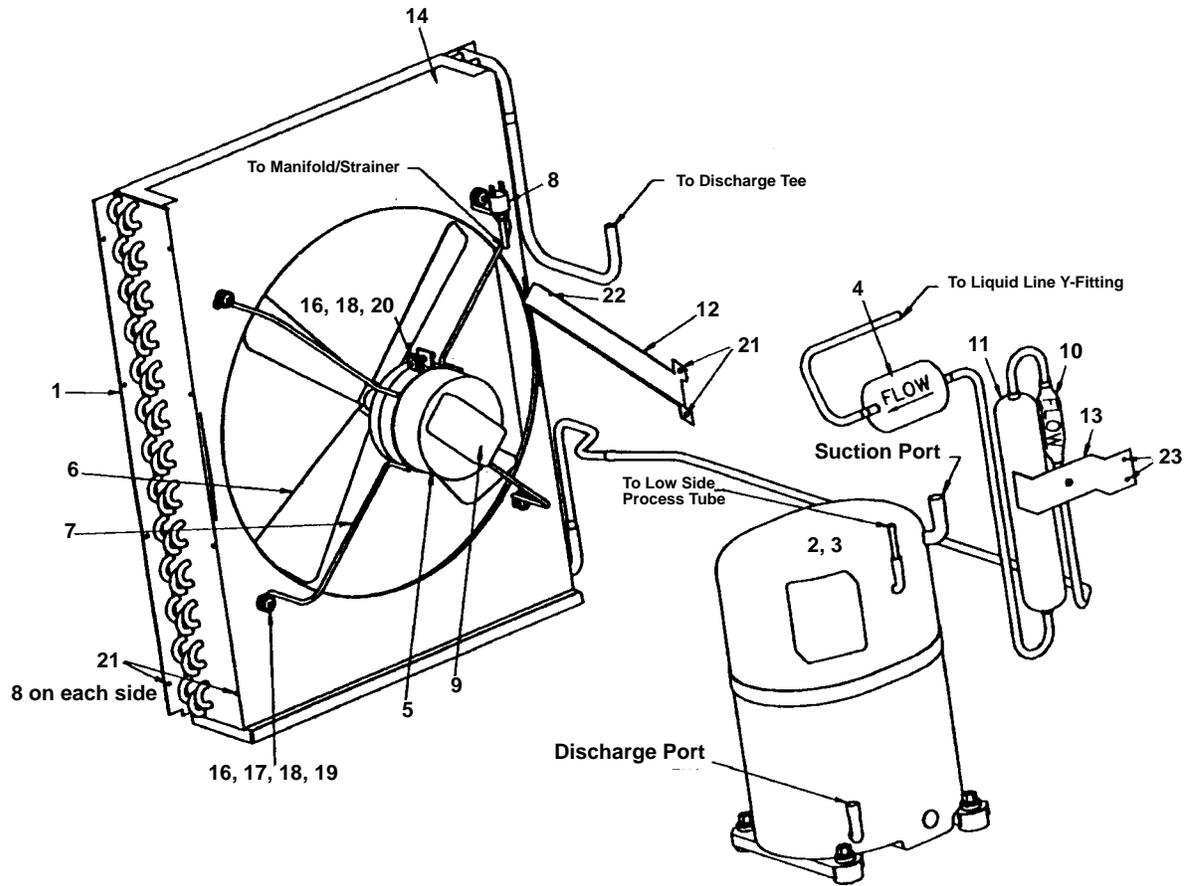
1333

### DESCRIPTION

DESCRIPTION	PART NO.
1 Drier	† 8930279
2 Dump Valve, 208-230V	000001768
3 Expansion Valve	† 7627063
4 High Pressure Cut-out	† 2355369
5 Hot Gas Solenoid Valve 208-230V/50-60 Hz (Danfoss)	† 7630101
6 Ice Baffle Support Used With 6010321	No Longer Available
Ice Baffle Support Used With 6010501	No Longer Available
7 Manifold Strainer (Compressor side)	No Longer Available
8 Manifold Strainer (Condenser side)	No Longer Available
9 NTC Thermistor	2351163
10 Process Valve	† 8373109
11 Stem Assembly	No Longer Available
12 Angle, Top & Bottom, Fawn	No Longer Available
13 Cornerpost Weldment	No Longer Available
14 Bracket, Drier	No Longer Available
15 Bracket, Dump Valve	No Longer Available
16 Bracket, Service Valve	No Longer Available
17 Control Box Cover	No Longer Available
18 Bushing, 0.875	† 2501409
19 Cagenut, #8-32	† 5429109
20 Clamp	† 5650709
21 Copper Elbow, 5/8 x 5/8	No Longer Available
22 Drain Adapter, 1/2	1706021
23 Water Inlet Adapter	† 8706093
24 Hex Lock - Palnut	† 5475039
25 Molded Vinyl White Tube	No Longer Available
26 Neoprene Bulb Boot	4007203
27 Neoprene TXV Boot	4007213
28 Screw, #10-24 x 0.50	† 5202069
29 Union	1360961
30 Worm Drive Clamp	† 5650529
31 Worm Drive Clamp	5650843

† Refer to Cross Reference Guide

# B1800 AIR-COOLED



1334

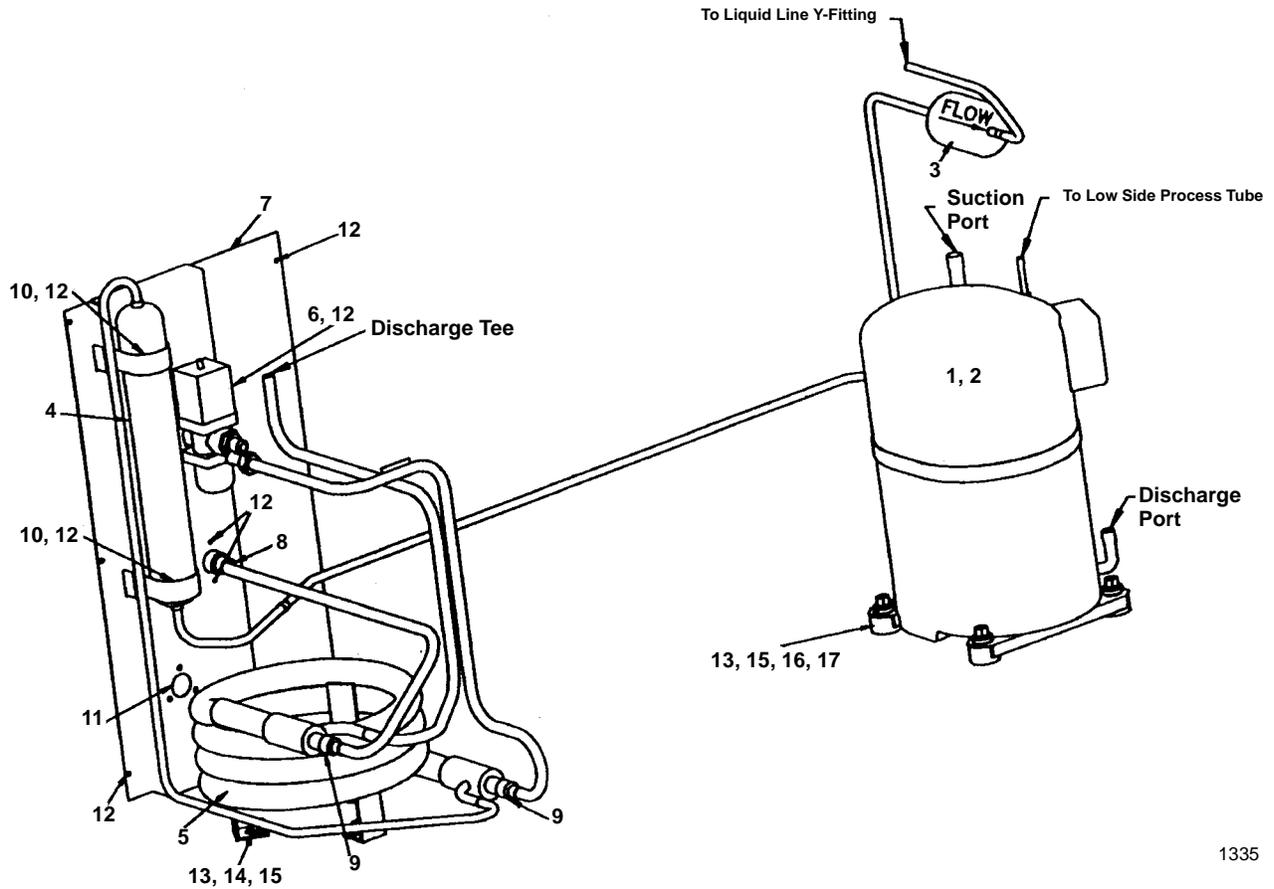
## DESCRIPTION

DESCRIPTION	PART NO.
1 Air Condenser . . . . .	8850923
2 Compressor Assembly, 230/60/1* . . . . .	† 7628253
3 Compressor Assembly, 3 Phase* . . . . .	† 7628263
4 Drier . . . . .	† 8930279
5 Fan Motor, 230V, 50-60 Hz . . . . .	† 7626733
6 Fan Blade . . . . .	2416113
7 Fan Motor Mount . . . . .	3006823
8 Fan Cycling Control . . . . .	† 2001263
9 Capacitor for Fan Motor . . . . .	8504583
10 Check Valve 0.375 . . . . .	† 8373149
11 Receiver . . . . .	No Longer Available
12 Channel, Wire Cover . . . . .	No Longer Available
13 Bracket . . . . .	No Longer Available
14 Fan Shroud . . . . .	No Longer Available
15 Air Filter (Not shown) . . . . .	4040083
16 Screw, 0.25-20 x 1.25 . . . . .	† 5033589
17 Wellnut, 0.25-20 . . . . .	† 5429559
18 Lockwasher, 0.25 Split . . . . .	† 5545109
19 Flatwasher . . . . .	† 5573059
20 Hex Nut . . . . .	† 5429529
21 Screw, #10-24 x 0.50 . . . . .	† 5202069
22 Screw, #10-24 x 0.50 . . . . .	† 5202169
23 Screw, #10-24 x 0.50 . . . . .	† 5202099

\* See Page 9 for 50 Hz Applications

† Refer to Cross Reference Guide

# B1800 WATER-COOLED



1335

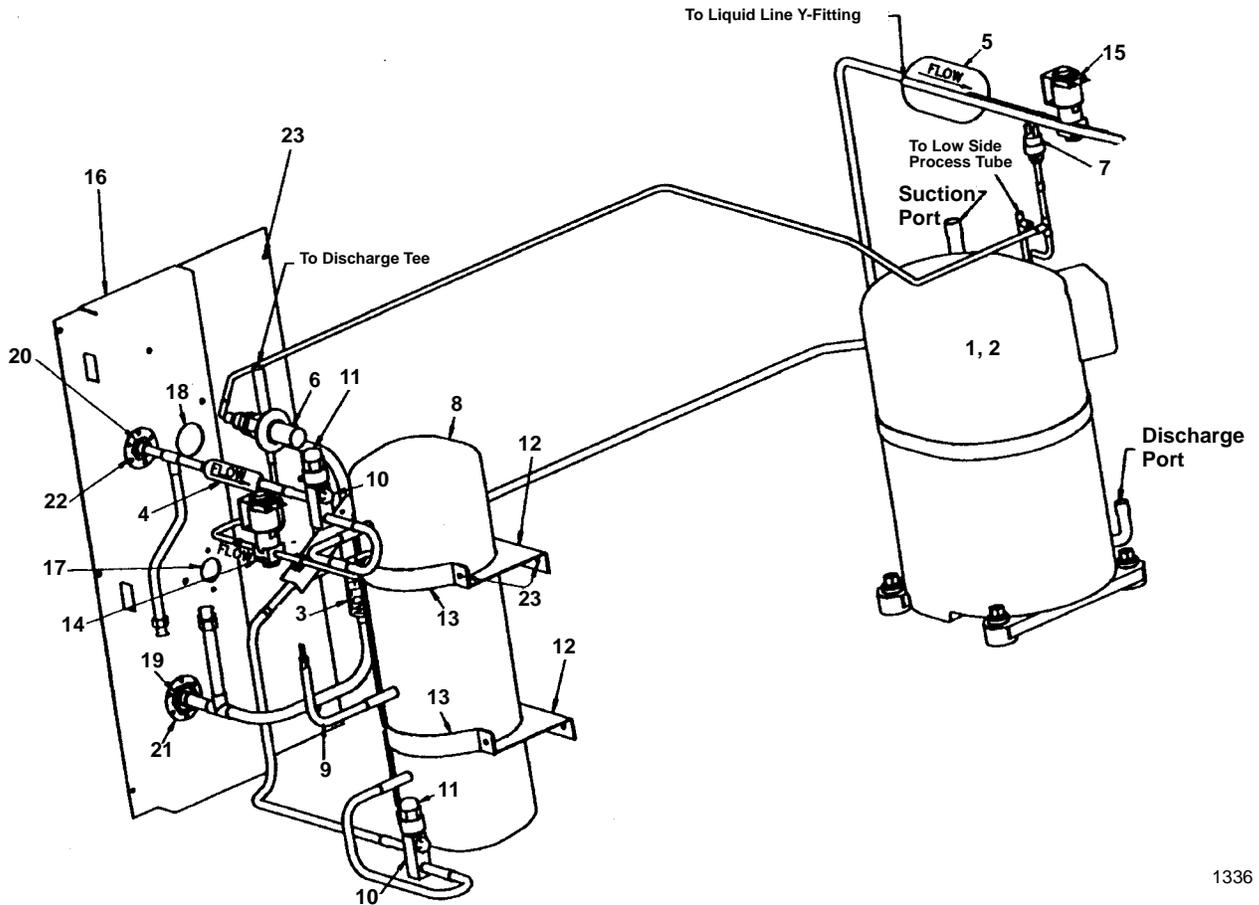
## DESCRIPTION

	<b>PART NO.</b>
1 Compressor, 230/60/1* . . . . .	† 7628253
2 Compressor, 3 Phase . . . . .	† 7628263
3 Drier . . . . .	† 8930279
4 Receiver . . . . .	000008894
5 Water-cooled Condenser* . . . . .	† 000001508
6 Water Regulating Valve . . . . .	8372123
7 Panel - Remote & Water Couplings . . . . .	No Longer Available
8 Female Wing Adapter, Condenser Drain . . . . .	No Longer Available
9 Reducing Coupling 0.75 x 0.50. . . . .	No Longer Available
10 Receiver Strap . . . . .	6000541
11 Hole Plug 1-1/16" . . . . .	4301923
12 Screw, #10-24 x 0.50 . . . . .	† 5202069
13 Hex Nut #3/8 x 16. . . . .	† 5430029
14 Lockwasher 0.38. . . . .	† 5545149
15 Flatwasher 0.31 . . . . .	† 5573099
16 Mounting Grommet. . . . .	† 8503069
17 Sleeve. . . . .	† 8503949

\* See Page 9 for 50 Hz Applications

† Refer to Cross Reference Guide

# B1800 REMOTE



1336

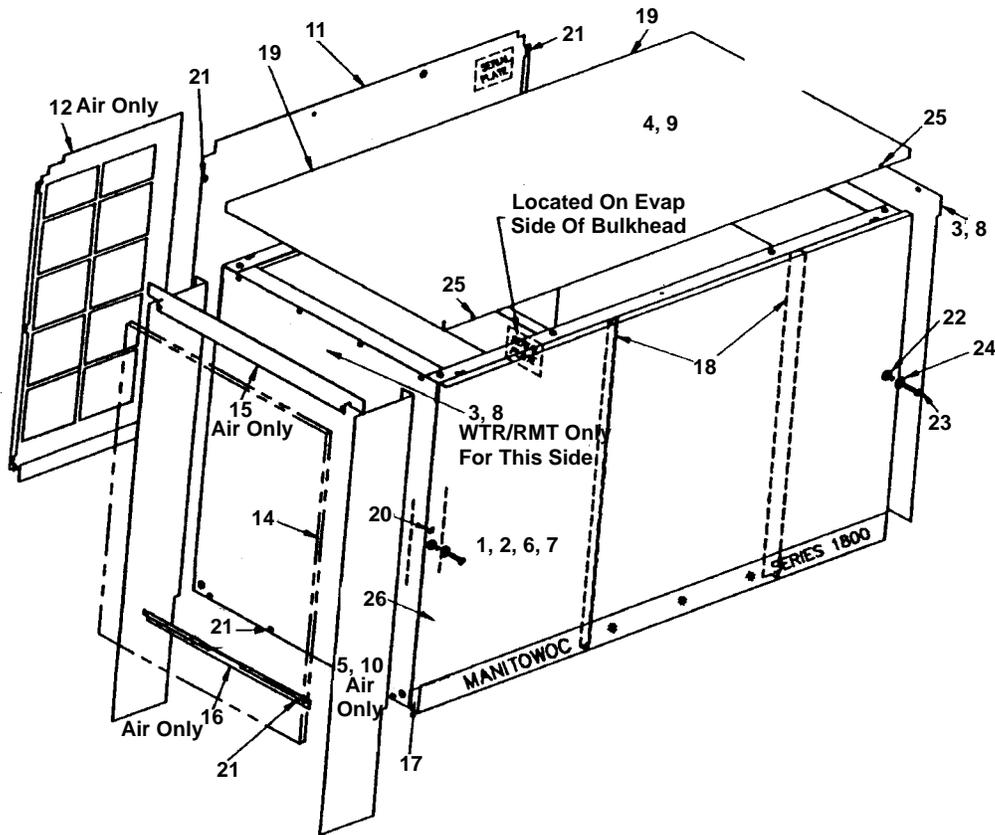
## DESCRIPTION

	DESCRIPTION	PART NO.
1	Compressor, 230/60/1*	† 7628253
2	Compressor, 3 Phase*	† 7628263
3	Check Valve	8373153
4	Magni-check Valve	† 8373149
5	Drier	† 8930279
6	HPR Valve 60 Hz*	† 8367793
7	Low Pressure Cut-out	† 2355409
8	Receiver	† 7629583
9	Receiver Safety Soft Plug	No Longer Available
10	Receiver Service Valve	† 8373169
11	Service Valve Cap	5650753
12	Receiver Mounting Bracket	6000561
13	Receiver Mounting Strap	6307214
14	Solenoid, HPR 208-230V/50-60 Hz (Danfoss)	† 7630061
15	Solenoid, Liquid Line	7630101
16	Panel, Remote Coupling	No Longer Available
17	Hole Plug 1-1/16"	4301923
18	Hole Plug 1.50"	No Longer Available
19	Male Coupling 1-1/16"-12.	† 8360353
20	Male Coupling 1-1/8"-12.	† 8360343
21	Mounting Flange	8360063
22	Mounting Flange	8360053
23	Screw, #10-24 x 0.50	† 5202069
24	Female Coupling Kit (On line set)	SALES K0129

\* See Page 9 for 50 Hz Applications

† Refer to Cross Reference Guide

# B1800 PANEL



1337

## PART NO.

### FAWN

1	Front Panel Assembly with Air Louvers	No Longer Available
2	Front Panel Assembly, Water and Remote	No Longer Available
3	Side Panels, RH or LH	No Longer Available
4	Top Cover	No Longer Available
5	Air Baffle	No Longer Available

### STAINLESS STEEL

6	Front Panel Assembly with Air Louvers	No Longer Available
7	Front Panel Assembly, Water or Remote	No Longer Available
8	Side Panel, LH or RH	No Longer Available
9	Top Cover	No Longer Available
10	Air Baffle	No Longer Available

### COMMON PARTS

11	Back Panel, Evaporator Side	No Longer Available
12	Back Panel, Air-cooled, Condenser Side	No Longer Available
13	Back Panel, Water and Remote	No Longer Available
14	Air Filter	4040083
15	Air Filter, Top Bracket	† 7626863
16	Air Filter, Bottom Bracket	† 7626863
17	Top and Bottom Frame Angle	No Longer Available
18	Angle, Front Panel	No Longer Available
19	Accordion Panel Clip	No Longer Available
20	Cagenut	† 5429109
21	Screw, #10-24 x 0.50	† 5202069
22	"O" Ring	† 3718199
23	Screw, #8-32 x 1.50	† 5026689
24	Washer, Flat Nylon	† 5573389
25	Screw, #10-24 x 0.50	† 5202099
26	Extruded Tape	† 9202509



## B1800 ELECTRICAL APPLICATIONS

All parts are the same as 60 Hz Model with the following exceptions:

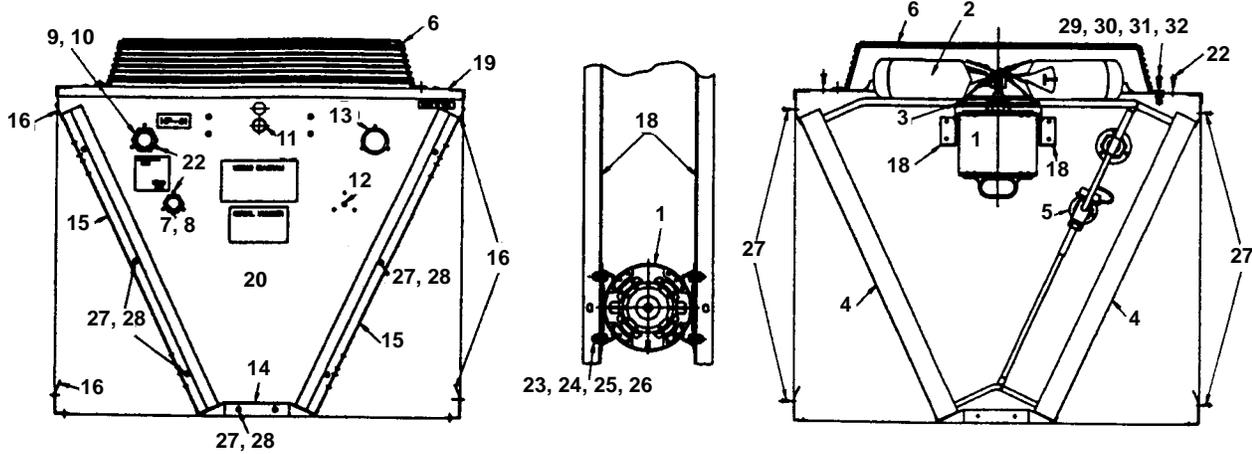
### 230V/50 Hz/1 Phase

	<b>PART NO.</b>
Compressor .....	† 7628273
Run Capacitor .....	† 2010133
Start Capacitor .....	† 8503163
Start Relay .....	No Longer Available
Water Pump .....	† 1480279
7 Amp Fuse for Control Board .....	2511003
0.1 Amp Mini-fuse for Control Board .....	2511053
Terminal Block .....	7628783
Terminal Board with Wiring Harness .....	No Longer Available
HPR Valve - Remote Systems .....	† 8367563
Water Condenser .....	8865207

### 415V/50 Hz/3 Phase

Compressor .....	No Longer Available
Water Pump .....	† 1480279
7 Amp Fuse for Control Board .....	2511003
0.1 Amp Mini-fuse for Control Board .....	2511053
Terminal Block .....	No Longer Available
Terminal Board with Wiring Harness .....	2031413
HPR Valve - Remote Systems .....	† 8367563

## BC1895 REMOTE CONDENSER



1339

### DESCRIPTION

PART NO.	DESCRIPTION	PART NO.
1	Fan Motor, 230V, 60 Hz	† 7629413
2	Fan Blade	2416113
3	Rain Slinger	2415053
4	Air Condenser (Uses 2)	8850623
5	Headmaster Control	000004070
6	Fan Guard	3400643
7	Male Coupling	† 8360343
8	Coupling Flange for 8360343	8360063
9	Male Coupling	† 8360353
10	Coupling Flange	8360053
11	Hole Plug for 7/8" Hole	4301463
12	Hole Plug for 0.625" Hole	4302643
13	Hole Plug for 1-1/16" Hole	4301923
14	Base	6017791
15	Condenser Mounting Angle	6017771
16	Support Bracket	† 6017781
17	Electrical Box Cover (Not shown)	† 6017761
18	Base Bracket for Mounting Fan	† 6017681
19	Top Cover	6017891
20	Front Panel	† 6017871
21	Back Panel (Not shown)	† 6017881
22	Screw, #10-24 x 0.50	† 5202069
23	Screw, 0.31-18 x 0.62 Hex Head	† 5035659
24	Nut, 0.31-18 Steel Hex Head	5429759
25	Washer, Flat 0.31 ID	† 5573099
26	Lockwasher, 0.31 Split	† 5573139
27	Screw, #8 x 0.50	† 5121539
28	Lockwasher, #8	† 5544599
29	Screw, 0.25 x 0.62	† 5033459
30	Lockwasher, 0.25 Split SS	† 5545119
31	Washer Flat, 0.25 SS	† 5573049
32	Nut, 0.25 Steel Hex	† 5429529
33	Female Coupling Kit	SALES K0129

### 50 Hz APPLICATION

Fan Motor, 230V, 50 Hz	† 7629413
Terminal Block	No Longer Available
Bracket - Terminal Block	6008681

† Refer to Cross Reference Guide