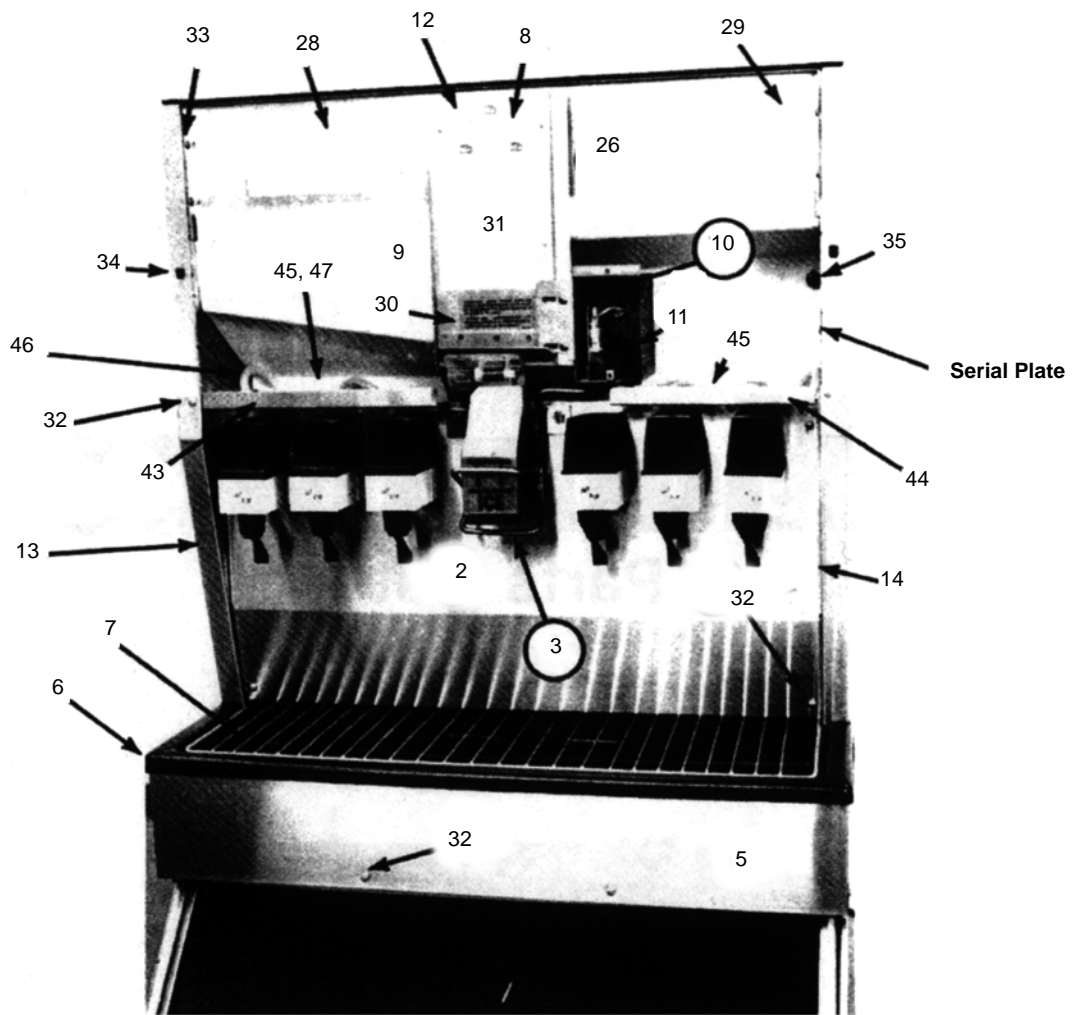
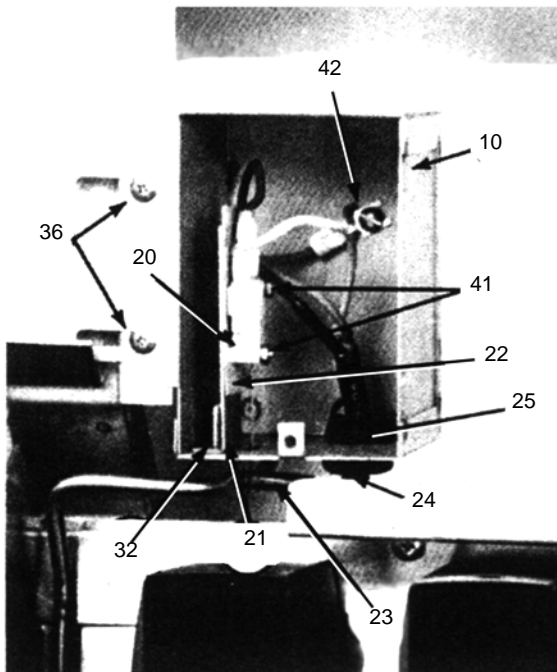




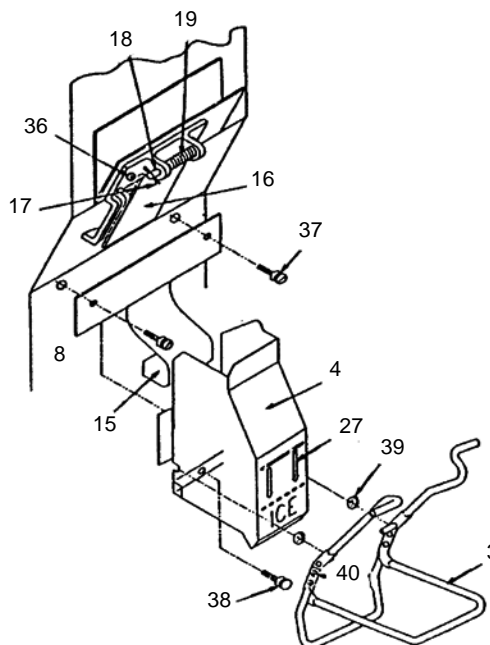
**Ice Machine Parts List for
Series CSA151 Ice Dispenser**



Switch Control Box



Ice Actuator Assembly



CSA151

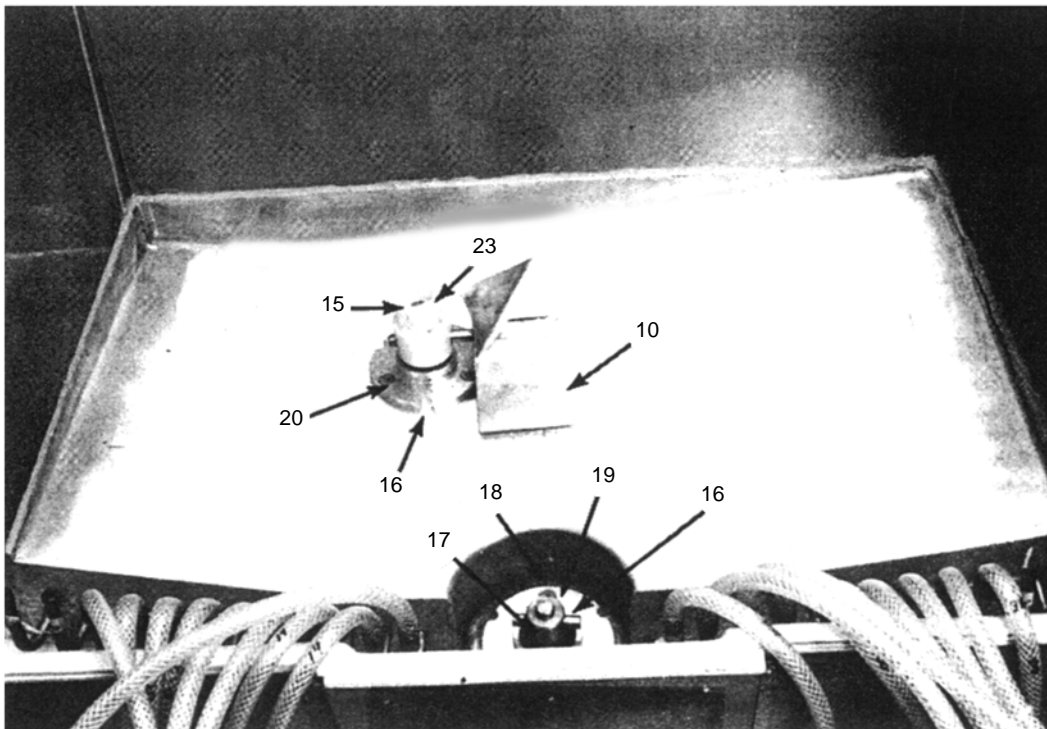
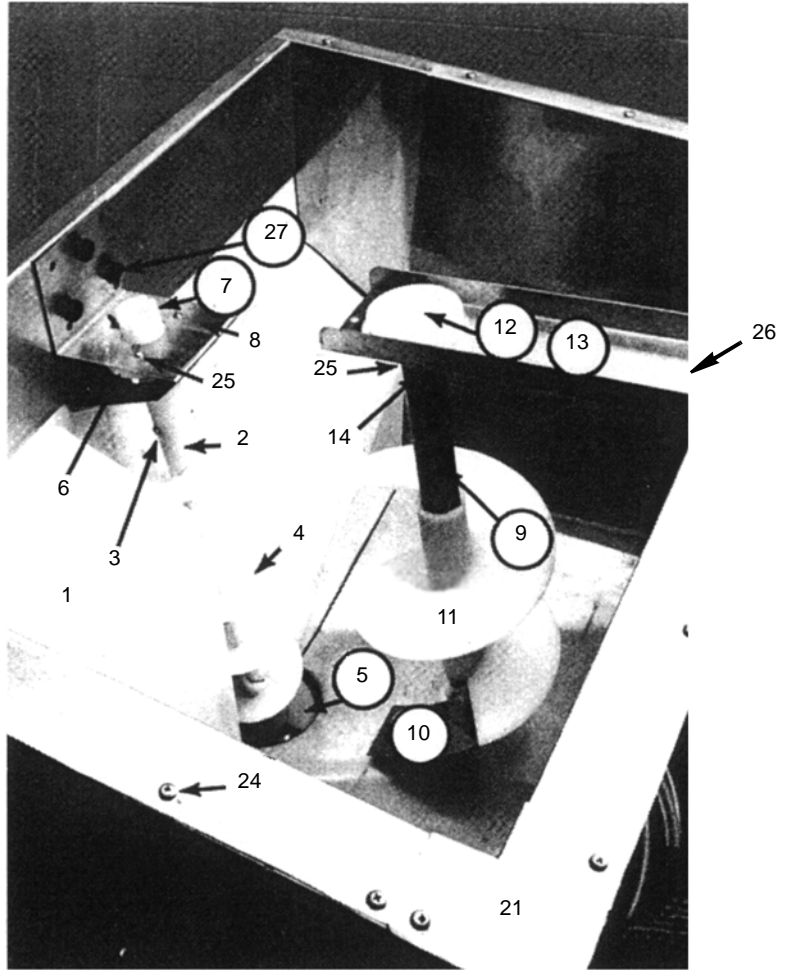
DESCRIPTION	PART NO.
1 Front Panel Assembly, Textured Fawn	No Longer Available
1a Front Panel Assembly, Stainless Steel	No Longer Available
1b Screw for Front Panel	† 5026689
2 Lower Front Panel	
a. For a 4 Valve Panel	No Longer Available
b. For a 6 Valve Panel	No Longer Available
c. For a 8 Valve Panel	No Longer Available
3 Actuating Arm Assembly	† 7623803
4 Ice Chute Assembly	No Longer Available
5 Drain Pan Wrapper	No Longer Available
6 Drain Pan Assembly	No Longer Available
7 Grill	3406363
8 Ice Outlet Bracket Weldment	No Longer Available
9 Auger Access Panel	No Longer Available
10 Control Box	No Longer Available
11 Control Box Cover (Not shown)	No Longer Available
12 Cicolac Spacer	No Longer Available
13 Lower Front Trim – LH	No Longer Available
14 Lower Front Trim – RH	No Longer Available
15 Ice Deflector Used on SS Ice Chute	No Longer Available
15a Ice Deflector Used w/Black Cicolac Ice Chute	No Longer Available
16 Ice Door	No Longer Available
17 Wire Clip – Pin Retainer	† 3712031
18 Pin – Spring Core	4301933
19 Torsion Spring	3300143
20 Switch/Actuator	2301263
21 Switch Mounting Bracket	6304814
22 Mylar Insulation	6302614
23 Extension Spring	No Longer Available
24 Cord Assembly	No Longer Available
25 Strain Relief Bushing	2512043
26 Upper Line Bracket	No Longer Available
27 Label – Ice	8132113
28 Label – Cleaning Procedures	8133123
29 Decal – Cubes	No Longer Available
30 Label – Caution	8131533
31 Plumbing Diagram	8132923
32 Screw, #10-24 x 5/8 Phil	† 5202059
33 Screw, #815 x 1/2 Phil Truss SS	No Longer Available
34 Cage Nut #8-32	† 5429109
35 Thumbscrew, Plastic	† 5305049
36 Screw, #8-32 x 1/2 Phil	† 5026249
37 Thumbscrew, #8-32 x 7/8	No Longer Available
38 Thumbscrew, #8-32 x 7/16	† 5000013
39 Bearing 5/8 OD x 5/16	3730153
40 Screw, #12-24 x 1/4 Phil	† 5013299
41 Screw, #4-40 x 5/8 Slot Pan	† 5020619
42 Screw, #10-32 x 1/2 Zinc	† 5027019
43 LH Top Angle Weldment	No Longer Available
44 RH Top Angle Weldment	No Longer Available
45 Manifold Assembly	No Longer Available
46 Braided PVC Tubing 1/4" ID	No Longer Available
47 Wing Nut 8-32 SS	† 5489139

NOTE: Beverage system components are not stocked by Manitowoc's Parts Department.
See Page 7 for details.

Lighted Front Panel Option Replacement Parts

Switch	No Longer Available
Cord Assembly	No Longer Available
Hinge	No Longer Available

CSA151, CONTINUED



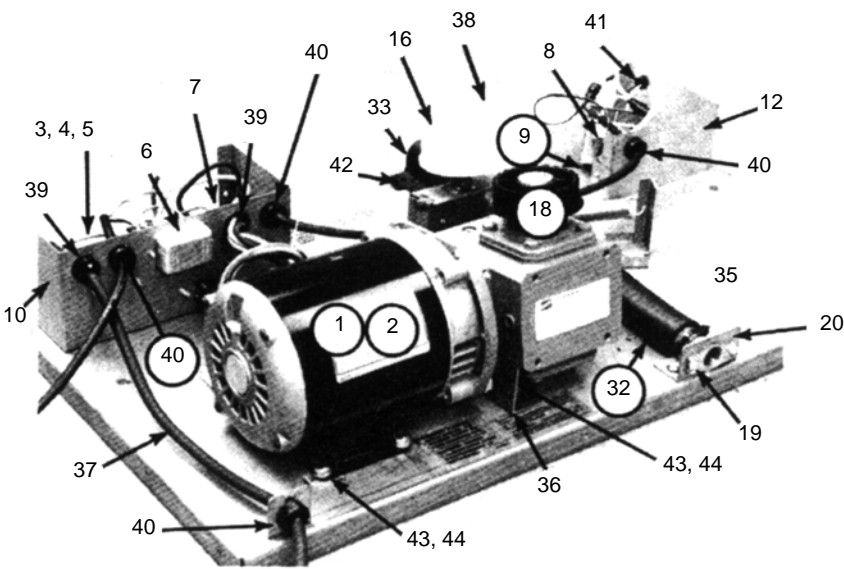
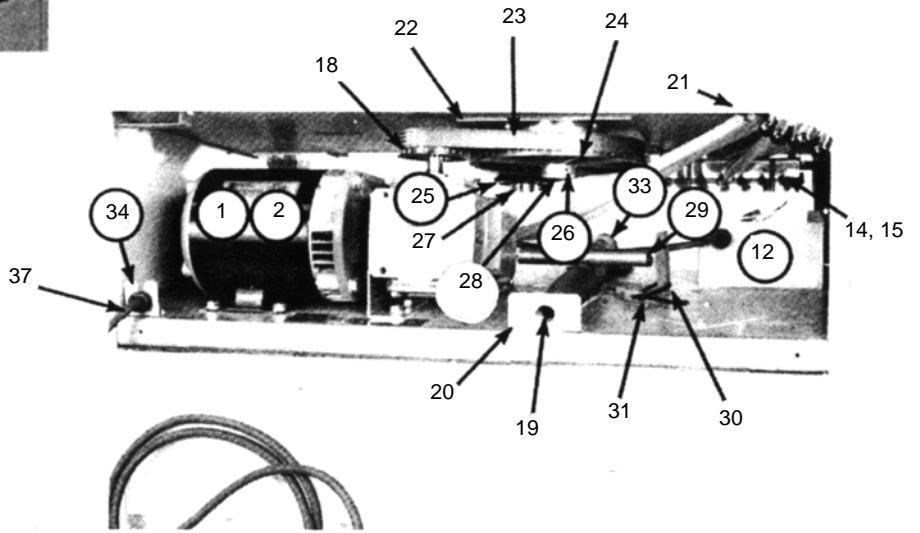
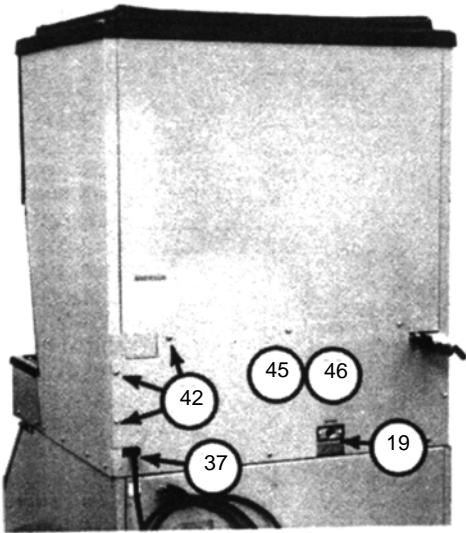
2104

CSA151, CONTINUED

DESCRIPTION	PART NO.
1 Auger Access Panel	No Longer Available
2 Dispensing Auger Shaft Weldment	No Longer Available
3 Cotterless Clevis Pin	3712083
4 Dispensing Auger Righting 4" (Uses 4)	5031191
5 Lower Coupling	5031190
6 Auger Bearing 1.334" ID	4301753
7 Upper Auger Bearing	4302043
8 Dispensing Auger Bracket	No Longer Available
9 Agitator Auger Shaft	No Longer Available
10 Agitator Paddle	No Longer Available
11 Agitator Auger Righting 8" OD	4301913
12 Agitator Bearing 1.625" OD	4301743
13 Agitator Bearing Bracket	No Longer Available
14 Upper Bearing Coupling	4301683
15 Lower Bearing Coupling	4301693
16 Upper Drive Shaft Housing Assembly	† 7623373
17 Pin	3710323
18 Torx Screw 1/4-20 x 2.63	5013273
19 Screw 1/4-20 x 1/2 Hex Head SS	† 5032369
20 Extended Torx Screw	No Longer Available
21 Corner Cap RH	No Longer Available
22 Corner Cap LH	No Longer Available
23 Screw, 1/4-20 x 1" Full Thread SS	† 5033539
24 Screw, 10-24 x 5/8 Phil/Pan	† 5202059
25 Thumbscrew #8 x 1/2 SS	† 5012169
26 Thumbscrew #8-32	No Longer Available
27 Thumbscrew, Plastic	† 5305049

† Refer to Cross Reference Guide

CSA151, CONTINUED



CSA151, CONTINUED

DESCRIPTION	PART NO.
1 Drive Motor/Gear Motor Assembly – 60 Cycle	† 7626813
1a Drive Motor Only – 60 Cycle	7626803
2 Drive Motor/Gear Motor Assembly – 50 Cycle	† 7626833
2a Drive Motor Only – 50 Cycle	7626823
3 Start Capacitor for Baldor Motor – 130156 MFD, @ 165V Case Size 4/60 Cycle	No Longer Available
4 Start Capacitor for Century Motor – 161193 MFD, @ 165V/60 Cycle	No Longer Available
5 Start Capacitor Bracket (for Boston Motor)	No Longer Available
5a Capacitor Mounting Bracket (for Leeson Motor)	No Longer Available
6 Sinpac Switch (for Boston Motor)	† 7623353
7 Solid State Relay	No Longer Available
8 Transformer – 115V/24V	No Longer Available
8 Transformer – 230V/24V	No Longer Available
9 Transformer Bracket	No Longer Available
10 Electrical Component Box	No Longer Available
11 Electrical Component Box Cover	No Longer Available
12 Transformer Box	No Longer Available
13 Transformer Box Cover	No Longer Available
14 Manifold Assembly	No Longer Available
15 Manifold Mounting Bracket	No Longer Available
16 Belt Tightener Wheel	4301723
17 Belt Tightener Mounting Bracket	6658414
18 Small Drive Pulley	3740083
19 Drain Fitting Assembly	No Longer Available
20 Drain Fitting Bracket	No Longer Available
21 Tubing Support Bracket	No Longer Available
22 Bearing Housing Support Plate	No Longer Available
23 Positive Drive Belt	3700213
24 Large Drive Pulley	3740103
25 Small Drive Pulley w/Flanged Hub	3740123
26 Roll Pin	† 3712049
27 Lower Drive Shaft Housing Assy – Front Auger	No Longer Available
28 Lower Drive Shaft Housing Assy – Agitator Auger	No Longer Available
29 Extension Spring	3300163
30 Extension Spring Bracket	No Longer Available
31 Extension Spring Lock Bracket	No Longer Available
32 Clear Vinyl Tubing 5/8 ID	† 4420383
33 Drain Pan Seal	4300583
34 Bracket, Strain Relief	No Longer Available
35 Cover, Base Hole	No Longer Available
36 Gear Box Angle Bracket	6296914
37 Supply Cord	2030673
38 Plumbing Diagram Sheet	8132923
39 Bushing	† 2501409
40 Strain Relief Bushing	2512043
41 Bushing	2500031
42 Screw, #10-24 x 5/8 Phil Hd	† 5202059
43 Screw, 5/16 - 18 x 5/8 Lg	† 5035659
44 Lockwasher 5/16	† 5573139
45 Lower Back Panel PC	No Longer Available
46 Lower Back Panel SS	No Longer Available
47 Label – Wiring Diagram (On Control Box Cover)	No Longer Available
48 Top Cover	No Longer Available

Beverage system components are not stocked by Manitowoc Parts Department. Beverage system components (drink valves and all accessories, including regulators, carbonators, and pumps) mounted or attached external to the dispenser at the factory and by others, are subject to the warranty terms and conditions of the component manufacturer and are not covered by Manitowoc's warranty.

Manufacturers of beverage dispensing valves and most accessories provide a one-year parts warranty, no labor, from manufacturer's date code on the part. Contact manufacturer for specifics.

Toll-free telephone numbers are:

McCann Engineering	8004232429 or 2132591200
Cornelius	8002383600 or 6124216120
Dole/Selmix	8002435394 or 2034896748

Zehnder's a beverage parts supplier will honor and process warranty items for all brands they distribute, (including McCann, Cornelius, and Dole/Selmix) under the following conditions:

- a. The replacement beverage component must be ordered through Zehnder's
- b. Before returning the defective component, contact Zehnder's for a return authorization number.

ZEHNDER'S
P.O. Box 242
Crestline, OH 44827
8007770554
4196831191

† Refer to Cross Reference Guide

INTENTIONALLY LEFT BLANK