



Ice Machine Parts List for E0600 Series Cuber Models

ED0602A

ED0603W

ED0692N

EY0604A

EY0605W

EY0694N

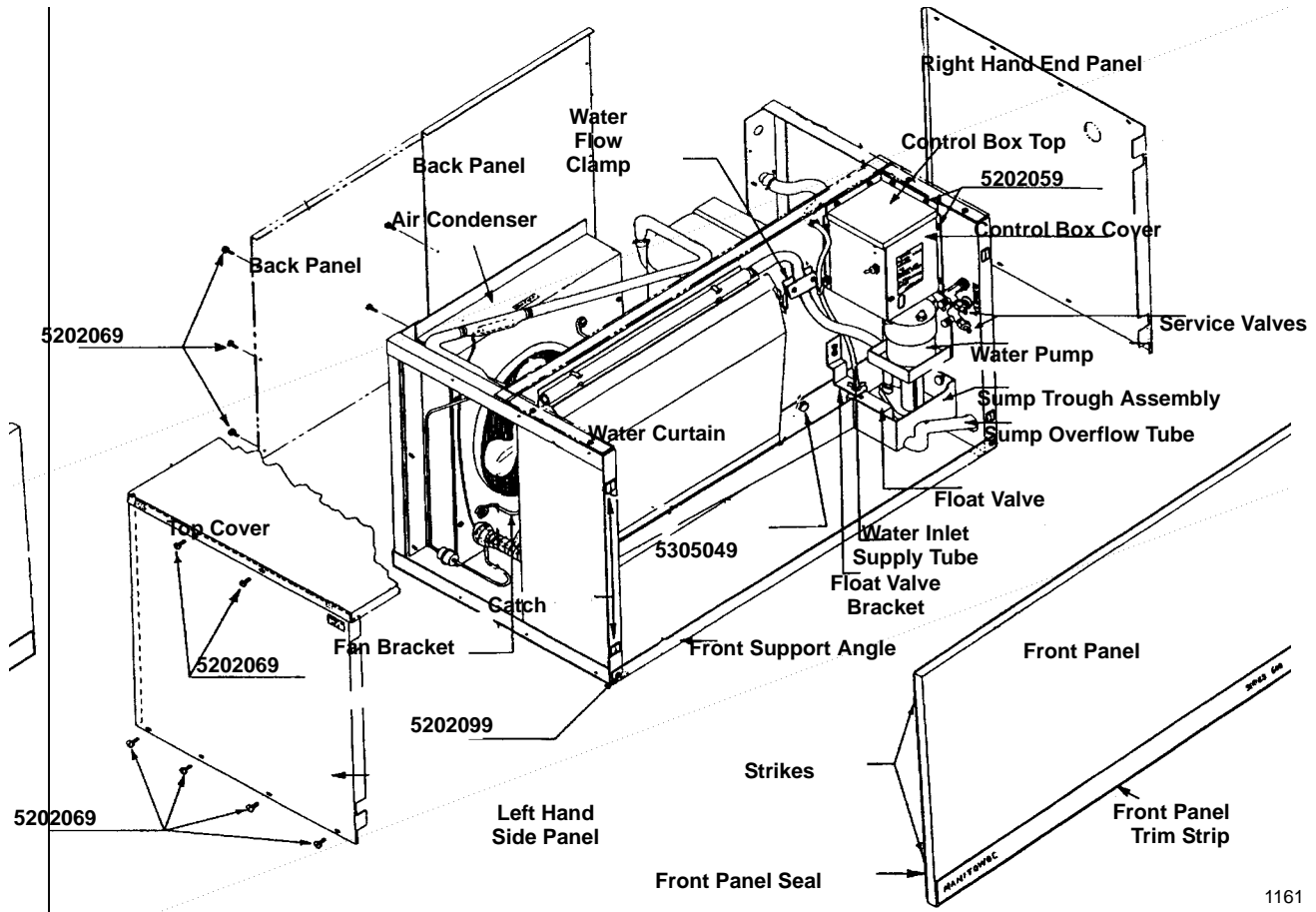
ER0600A

ER0601W

ER0690N

Manufactured February 1983 through December 1984

MODEL E0600



1161

OUTER PANELS - FAWN

Front Panel (Vinyl clad)	No Longer Available
Left Hand End Panel (Fawn)	No Longer Available
Right Hand End Panel (Fawn)	No Longer Available
Top Cover (Fawn)	No Longer Available

OUTER PANELS - STAINLESS STEEL

Front Panel (SS)	No Longer Available
Front Panel (SS with plain trim)	No Longer Available
Left Hand End Panel (SS)	No Longer Available
Right Hand End Panel (SS)	No Longer Available
Top Cover (SS)	No Longer Available

OUTER PANELS - COMMON PARTS

Back Panel (Air-cooled)	No Longer Available
Back Panel (Water-cooled)	No Longer Available
Back Panel (Remote)	No Longer Available
Front Panel Seal	† 9202509
Front Panel Trim Strip	† 8134873
Front Panel Trim Strip (Plain black)	No Longer Available
Screw #10-24 Slot Hex Head (Mounting outer panels) (Pkg. of 12)	† 5202069
Strike and Catch (Pkg. of 4 each)	No Longer Available
Strikes Only (Pkg. of 25)	No Longer Available
Catches Only (Pkg. of 12)	No Longer Available

ICE MAKING COMPARTMENT

Air Condenser Assembly with Shroud - Fan Motor and Bracket	No Longer Available
Air Condenser (Less shroud)	No Longer Available

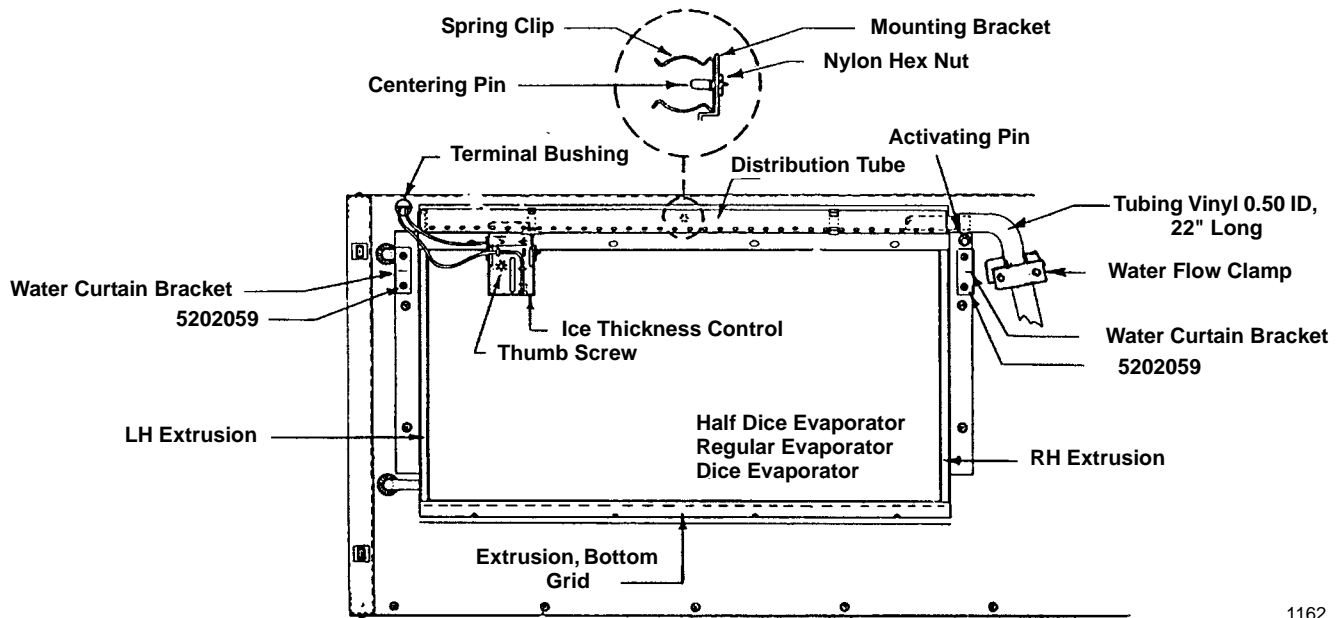
PART NO.

PART NO.

Control Box Cover	No Longer Available
Control Box Top	No Longer Available
Fan Motor 50-60 Hz	2412353
Fan Blade	2416083
Fan Bracket	No Longer Available
Float Valve (Less bracket)	† 8369049
Float Valve Bracket before SN 84010000	No Longer Available
Float Valve Bracket after SN 84010000	† 7621403
Front Support Angle	No Longer Available
Screw #10-24 Phillips Flat Head (Mounting front support angle) (Pkg. of 12)	† 5202099
Screw #10-24 Phillips Head (Mounting control covers) (Pkg. of 12)	† 5202059
Service Valves, High and Low Side	† 8373109
Sump Trough Assembly	No Longer Available
Sump Overflow Tube	No Longer Available
Thumb Screw (Mounting sump trough)	† 5305049
Water Curtain Assembly	No Longer Available
Water Curtain Hanger (White plastic)	† 5650459
Water Flow Clamp Assembly	7620543
Water Inlet Supply Tube 32" Long	4420291
Water Inlet Strainer	† 1260033
Water Pump 60 Hz 230V	† 7626013
Splash Shield, Mylar (Not shown)	9600883
Pump Delay Timer Kit (Not shown)	† 2406423
Water Dump Solenoid Retrofit Kit	No Longer Available

† Refer to Cross Reference Guide

MODEL E0600, CONTINUED



1162

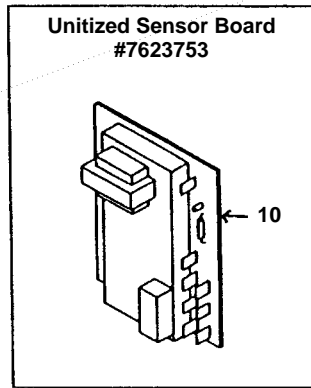
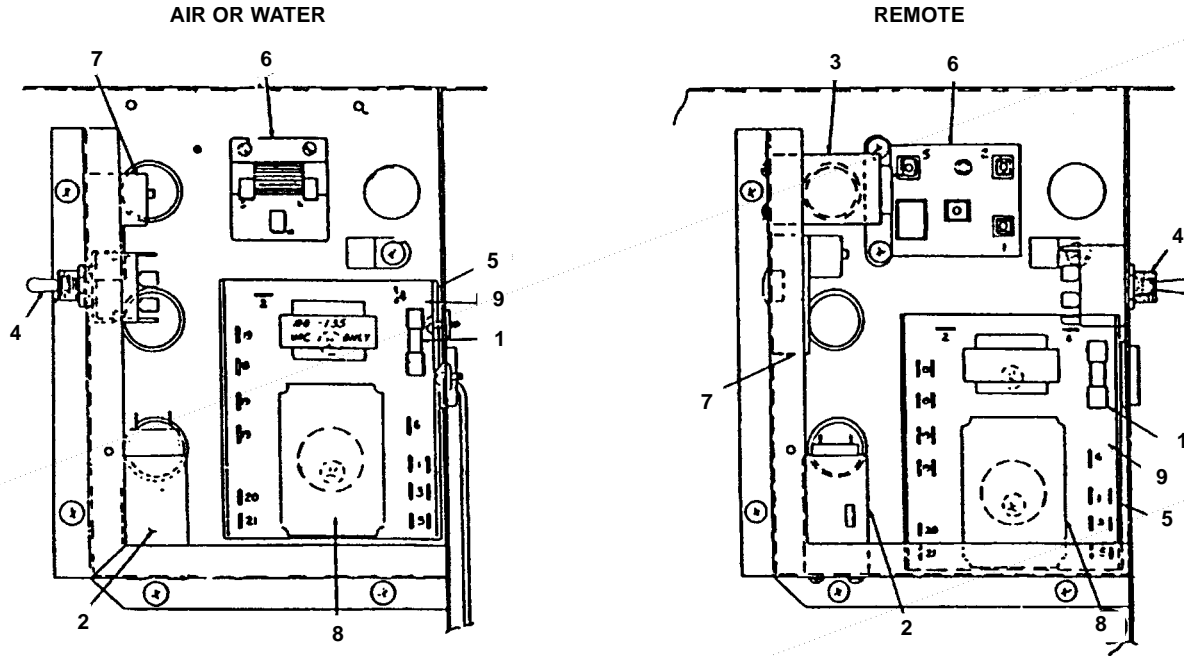
EVAPORATOR GROUP

PART NO.

Activating Pin Assembly	7620253
Centering Pin	† 5013139
Distribution Tube Assembly	No Longer Available
Distribution Tube Mounting Bracket Assembly	No Longer Available
Distribution Tube Spring Clip	No Longer Available
Evaporator with 11-1/4" Distance Between Inlet and Outlet All Air-cooled Units Prior to SN 840662010	
Regular Cube (Water-cooled prior to SN 841162840)	No Longer Available
Dice Cube (Water-cooled prior to SN 841160122)	No Longer Available
Half Dice Cube (Water-cooled prior to SN 840961605)	No Longer Available
Evaporator with 4-3/8" Distance Between Inlet and Outlet All Air-cooled After SN 8406620210	
Regular Cube (Water-cooled after SN 841162840)	No Longer Available
Dice Cube (Water-cooled after SN 841160122)	No Longer Available
Half Dice Cube (Water-cooled after SN 840961605)	No Longer Available
Extrusion, Bottom Grid	No Longer Available
Extrusion, Top Grid	No Longer Available
Extrusion, Left Hand Grid	No Longer Available
Extrusion, Right Hand Grid	No Longer Available
Ice Thickness Control	† 7619963
Ice Thickness Control Bracket	6185814
Ice Thickness Control Adjustment Screw	No Longer Available
Ice Thickness Control Mounting Bracket Screw	† 5022379
Terminal Bushing	No Longer Available
Water Curtain Bracket, Set of RH and LH	† 7621773
Water Flow Clamp Assembly	7620543
Water Flow Plate (Early models only)	No Longer Available
Water Inlet Strainer	† 1260033
Nylon Hex Nut	† 5429459
Screw 10-24 Phillips Head	† 5202059

† Refer to Cross Reference Guide

MODEL E0600, CONTINUED



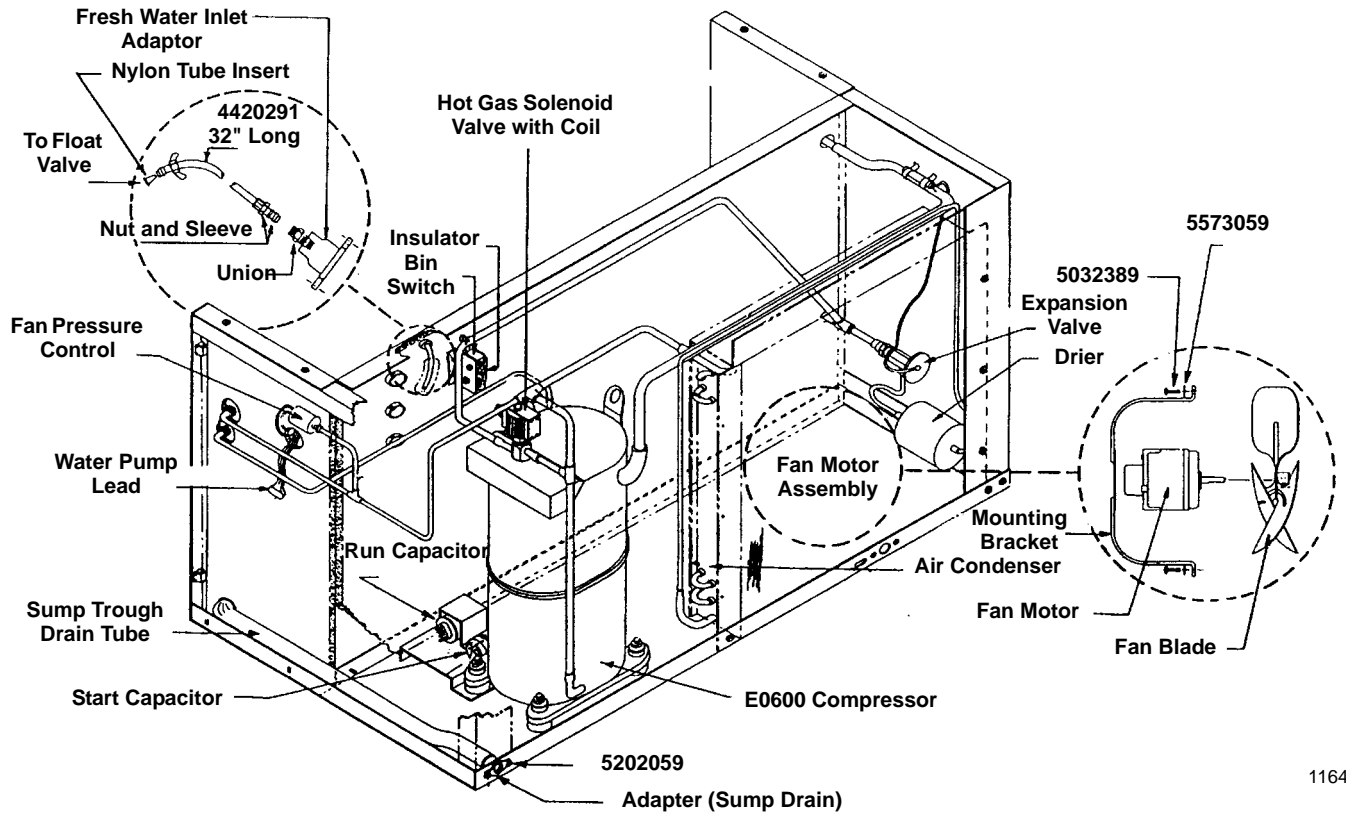
1163

	PART NO.
1 Fuse	† 2510379
2 High Pressure Control (Cut-out)	2355113
3 Low Pressure Control	No Longer Available
4 Main Toggle Switch	† 2300849
5 Mounting Track for Board	4408013
6 Start Relay 60 Hz	No Longer Available
7 Water Pump Delay Timer	† 2406423
8 Sensor Module	Replace with † 7623753
9 Transformer Board 230V	Replace with † 7623753
10 Unitized Sensor Board 230V	† 7623753

NOTE: Unitized Sensor Board is used to replace both the transformer board and the sensor module.

† Refer to Cross Reference Guide

MODEL E0600 COMPRESSOR COMPARTMENT AIR-COOLED



1164

COMPRESSOR COMPARTMENT AIR-COOLED

	PART NO.
Adapter (Fresh water inlet)	6002421
Adapter (Sump drain).	1706021
Air Baffle	No Longer Available
Air Condenser Only	No Longer Available
Fan Shroud Assembly	No Longer Available
Bin Switch	† 2301119
Bin Switch Mylar Insulation	No Longer Available
Drier	† 8930279
Expansion Valve	No Longer Available
Fan Motor 50-60 Hz.	† 7626383
Fan Blade For Motors ESPOL50EM2 & ESPOL50EM28 Use	No Longer Available
Fan Blade For Motor K33HXCEJ948 Use	2416173
Fan Motor Bracket	No Longer Available
Fan Cycling Switch (Used on Air-cooled units only)	† 2301123
Hot Gas Solenoid Valve Assembly 50-60 Hz	No Longer Available
Hot Gas Solenoid Valve Coil Only 50-60 Hz - Sporlan	No Longer Available
Hot Gas Solenoid Coil Only - Alco.	† 2404483
Nut and Sleeve	8361253
Nylon Tube Insert (In water supply tube at float valve).	† 4420309
Sump Trough Drain Tube.	No Longer Available
Union (For water inlet adapter)	1360961
Screw 1/4 x 1.75 Machine (Mounting fan bracket to condenser)	† 5033589
Screw 10-24 Phillips Head (Mounting fresh water inlet adapter) (Pkg. of 12)	† 5202059

	PART NO.
Washer 1/4 ID (Mounting fan bracket to condenser)	† 5573059
Water Pump Lead (With female plug)	No Longer Available

E0600 COMPRESSOR COMPLETE W/ELECTRICAL COMPONENTS

Compressor 50 Hz 230V	No Longer Available
Compressor 60 Hz 220V	No Longer Available

E0600 COMPRESSOR ELECTRICAL COMPONENTS

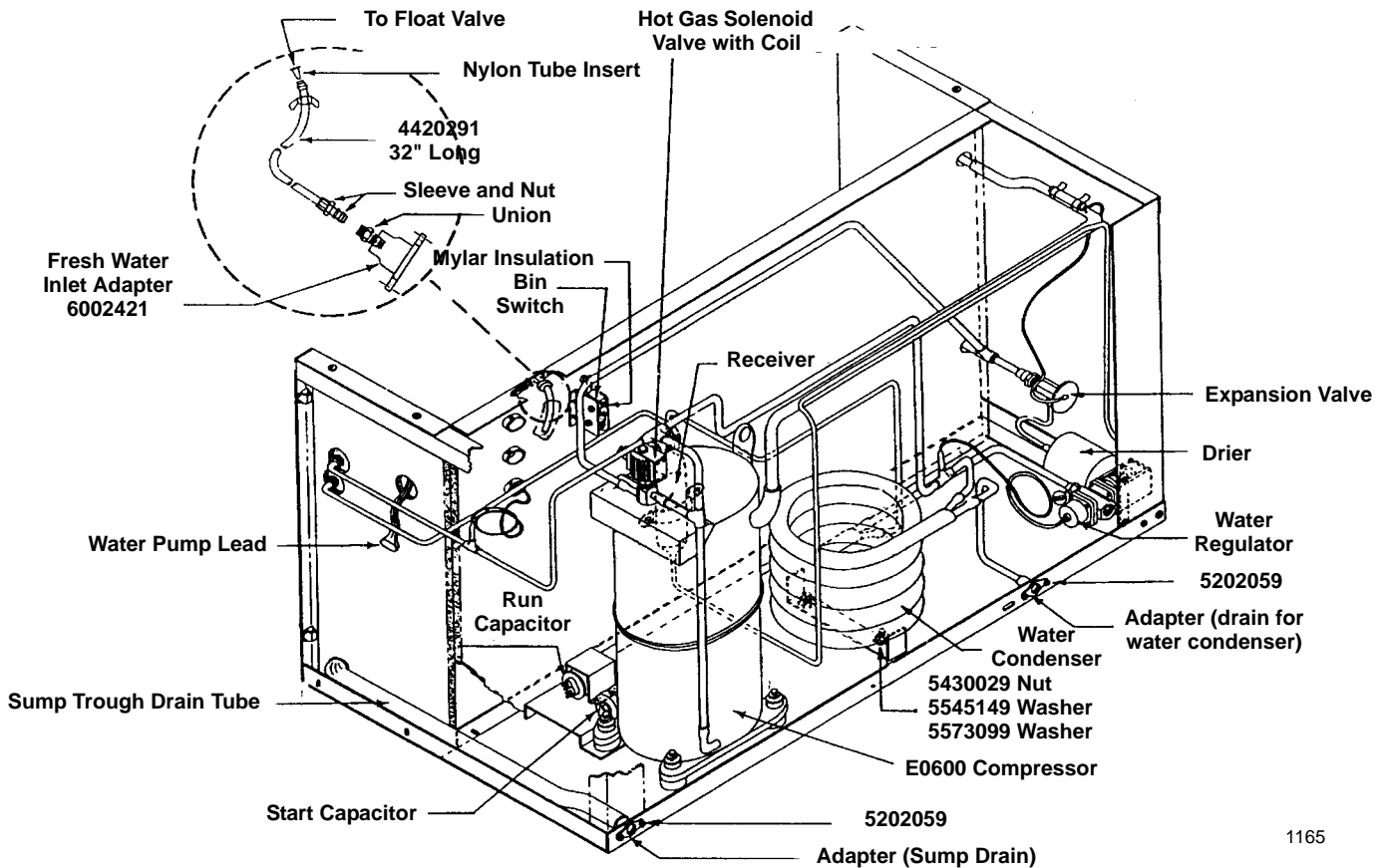
Compressor, 50 Hz	No Longer Available
Relay	No Longer Available
Start Capacitor	No Longer Available
Run Capacitor	† 8503413
Overload	8503193
Copeland Compressor, 60 Hz	† 7620363
Relay	No Longer Available
Start Capacitor	† 8504223
Run Capacitor	† 8503413
Overload	No Longer Available
Bristol Compressor, 60 Hz	† 7620363
Relay	No Longer Available
Start Capacitor	8503643
Run Capacitor	† 8503413

ELECTRICAL MOUNTING PARTS

Start Capacitor Cap	No Longer Available
Start Capacitor Mounting Bracket	No Longer Available

† Refer to Cross Reference Guide

MODEL E0600 COMPRESSOR COMPARTMENT WATER-COOLED



	PART NO.
Receiver	000008892
Adapter (Fresh water inlet)	6002421
Adapter (Drain for water condenser)	8706103
Adapter (Sump drain)	1706021
Bin Switch	† 2301119
Bin Switch Mylar Insulation	No Longer Available
Drier	† 8930279
Expansion Valve	No Longer Available
Hot Gas Solenoid Valve Assembly	No Longer Available
Hot Gas Solenoid Valve Coil (Only)	
50-60 Hz - Sporlan	No Longer Available
Hot Gas Solenoid Coil Only - Alco	† 2404483
Nut 3/8-16 Hex (2 per)	
(Mounting water condenser)	† 5430029
Nylon Tube Insert	
(In water supply tube at float valve)	† 4420309
Screw 10-24 Phillips Head (Mounting	
water inlet adapter) (Pkg. of 12)	† 5202059
Sleeve and Nut	8361253
Sump Trough Drain Tube	No Longer Available
Union (For fresh water inlet adapter)	1360961
Washer 3/8 Lock (2 per)	
(Mounting water condenser)	† 5545149
Washer 3/8 Flat (2 per)	
(Mounting water condenser)	† 5573099
Water Condenser	† 8865333
Water Pump Lead	
(With female plug)	No Longer Available
Water Regulator	† 8372069

PART NO. PART NO. E0600 COMPRESSOR COMPLETE W/ELECTRICAL COMPONENTS

Compressor 50 Hz 230V	No Longer Available
Compressor 60 Hz 220V	No Longer Available

E0600 COMPRESSOR ELECTRICAL COMPONENTS

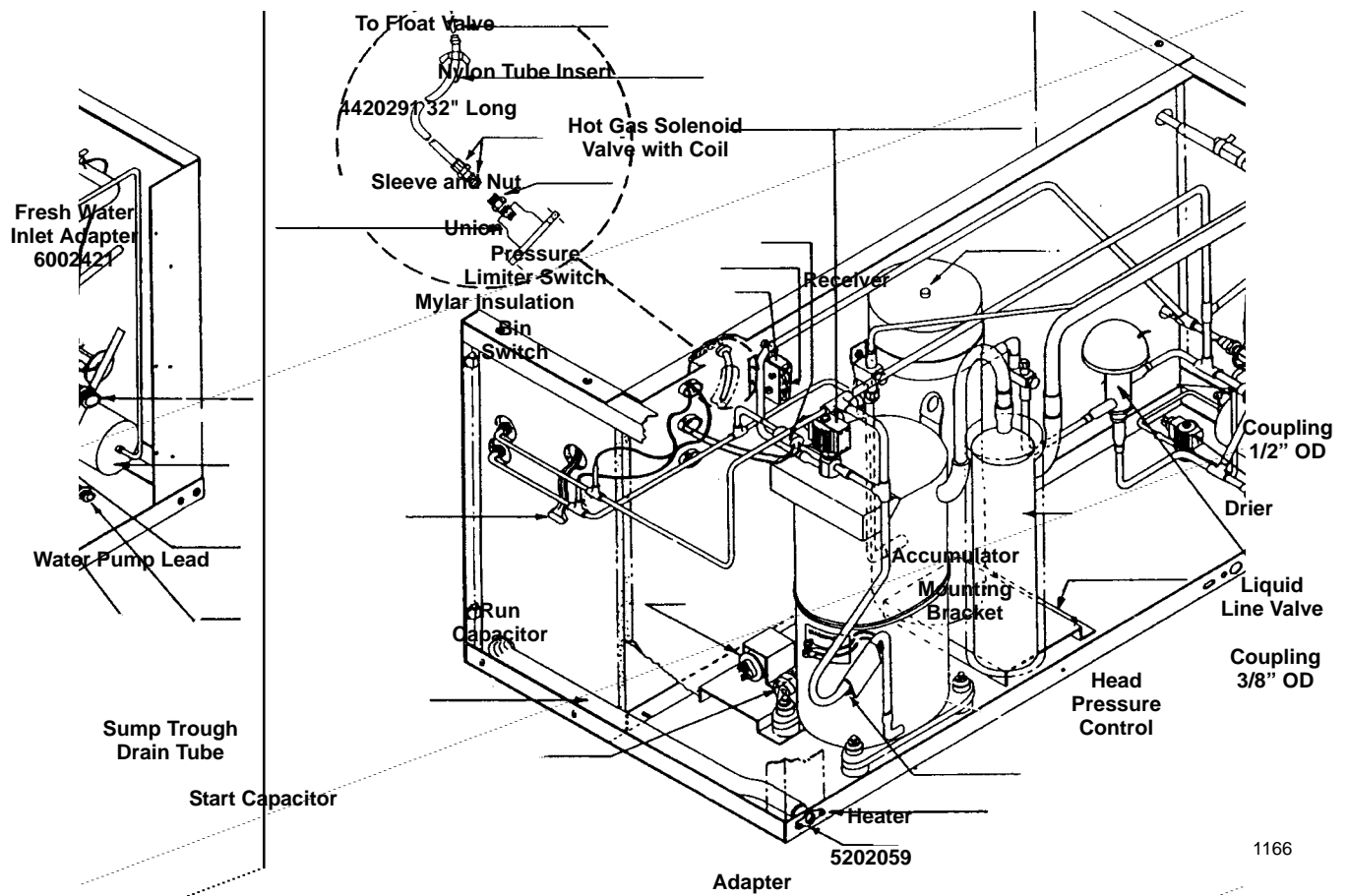
Compressor, 50 Hz	No Longer Available
Relay	No Longer Available
Start Capacitor	No Longer Available
Run Capacitor	† 8503413
Overload	8503193
Copeland Compressor, 60 Hz	No Longer Available
Relay	No Longer Available
Start Capacitor	† 8504223
Run Capacitor	† 8503413
Overload	No Longer Available
Bristol Compressor, 60 Hz	No Longer Available
Relay	No Longer Available
Start Capacitor	8503643
Run Capacitor	† 8503413

ELECTRICAL MOUNTING PARTS

Start Capacitor Cap	No Longer Available
Start Capacitor Mounting Bracket	No Longer Available

† Refer to Cross Reference Guide

MODEL E0600 COMPRESSOR COMPARTMENT REMOTE



E0600 COMPRESSOR COMPLETE W/ELECTRICAL COMPONENTS

	PART NO.
Compressor 50 Hz 230V	No Longer Available
Compressor 60 Hz 220V	No Longer Available

E0600 COMPRESSOR ELECTRICAL COMPONENTS

Compressor, 50 Hz.	No Longer Available
Relay	No Longer Available
Start Capacitor	No Longer Available
Run Capacitor	† 8503413
Overload	8503193
Copeland Compressor, 60 Hz.	† 7620363
Relay	No Longer Available
Start Capacitor	† 8504223
Run Capacitor	† 8503413
Overload	No Longer Available
Bristol Compressor, 60 Hz	† 7620363
Relay	No Longer Available
Start Capacitor	8503643
Run Capacitor	† 8503413

ELECTRICAL MOUNTING PARTS

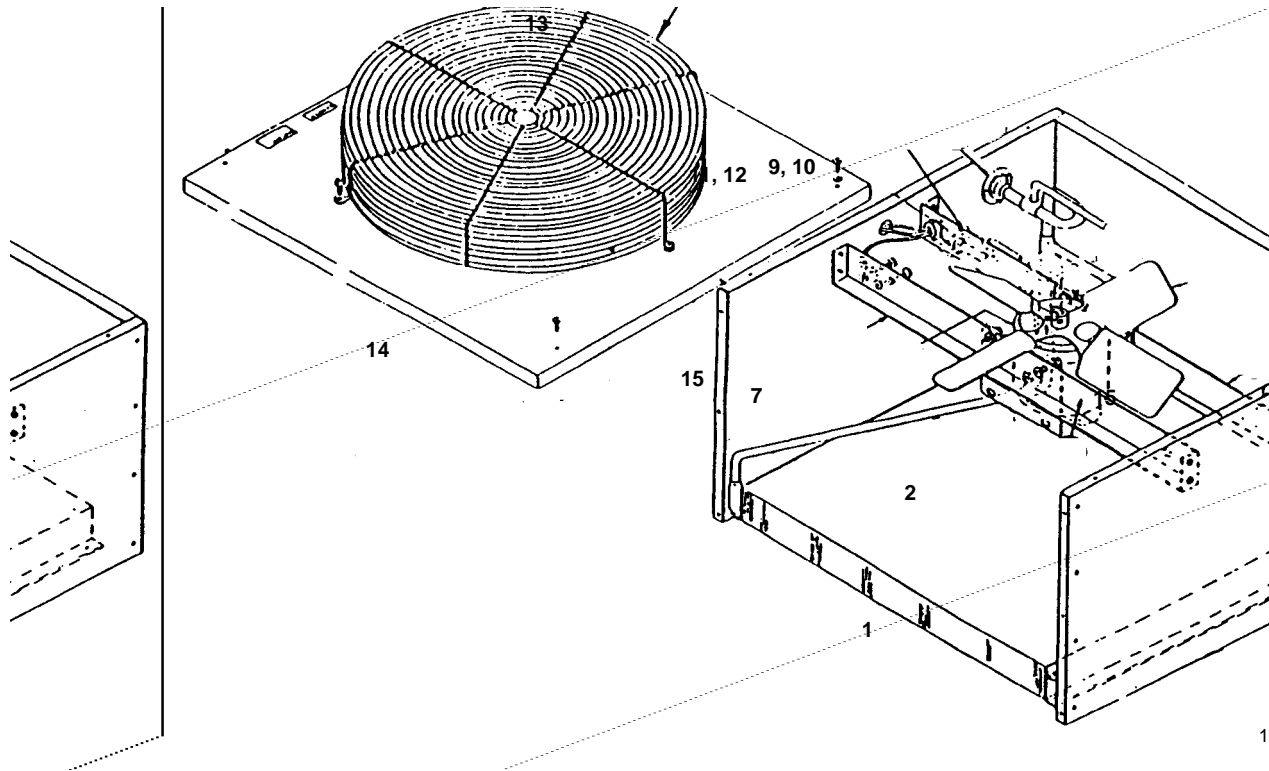
Start Capacitor Cap	No Longer Available
Start Capacitor Mounting Bracket	No Longer Available
Accumulator	No Longer Available
Adapter (Fresh water inlet)	† 8706093
Adapter (Sump drain)	1706021
Bin Switch	† 2301119
Bin Switch Mylar Insulation	No Longer Available

Coupling 3/8" OD	† 8360343
Coupling 1/2" OD	† 8360353
Coupling "0" Ring for 8360353.	No Longer Available
Coupling "0" Ring for 8360343.	† 8360139
Drier	† 8930279
Expansion Valve	No Longer Available
Fresh Water Inlet Supply Tube	4420291
Head Pressure Control	† 8368049
Heater (On discharge line)	No Longer Available
Hot Gas Solenoid Valve Assembly	No Longer Available
Hot Gas Solenoid Valve Coil Only	
50 and 60 Hz 220V - Sporlan	No Longer Available
Hot Gas Solenoid Coil Only - Alco	† 2404483
Liquid Line Pump Down Valve	No Longer Available
Liquid Line Pump Down Valve Coil Only	
50 and 60 Hz 220V	No Longer Available
Mounting Bracket (For receiver and accumulator)	No Longer Available
Nylon Tube Insert (in water supply tube at float valve)	† 4420309
Pressure Limiter Switch	No Longer Available
Receiver	† 7629583
Screw #10-24 Phillips Head (Mounting fresh water inlet adapter) (Pkg. of 12)	† 5202059
Sleeve and Nut (Fresh water inlet)	8361253
Sump Trough Drain Tube	No Longer Available
Union (Fresh water inlet)	1360961
Water Pump Lead with Female Plug	No Longer Available

NOTE: For 50 cycle parts, see Page 9.

† Refer to Cross Reference Guide

AC0695 REMOTE CONDENSER



1167

	PART NO.
1 Air Condenser	† 8850639
2 Fan Motor, 60 Hz For dual bracket mount	† 7629413
2 Fan Motor, 50 Hz For dual bracket mount	† 7629413
3 Fan Capacitor for Dual Bracket Fan Motor	8503353
4 Fan Capacitor for Single Bracket Fan Motor	No Longer Available
5 Fan Blade for Single Bracket Fan Motor.	No Longer Available
6 Fan Blade for Dual Bracket Fan Motor	2416113
7 Rain Slinger	2415053
8 Toggle Switch up to SN 82020001	No Longer Available
8 Toggle Switch After SN 82020001	No Longer Available
9 Coupling Assembly, Male 1/2"	† 8360353
10 Mounting Flange 1/2"	8360063
11 Coupling Assembly, Male 3/8"	† 8360343
12 Mounting Flange 3/8"	8360053
13 Fan Grill	3400643
14 Top Cover	† 6017751
15 Base Bracket	† 6017681
16 Female Coupling Kit (Not shown)	0700623
17 Valve Access Fitting Core	† No Longer Available

NOTE: If unit has a fan motor mounting on a single bracket, use replacement kit #7619843 for 60 Hz unit. This kit includes new fan motor, capacitor, blades, dual brackets and all necessary hardware for installation.

E0600 MISCELLANEOUS

	PART NO.
Fawn Touch Up Paint (Spray can)	9400931
Ice Machine Cleaner	000005162
Complete Cartoning Assembly	† 7107969

50 Hz Models Only

Use same parts as previously listed for standard E0600 ice cuber with the following exception.

Fan motor.	† 7626383
Water pump	† 7626013
Compressor	No Longer Available
Relay	No Longer Available
Start Capacitor	No Longer Available
Overload Protector.	8503193
Run Capacitor	† 8503413

INTENTIONALLY LEFT BLANK