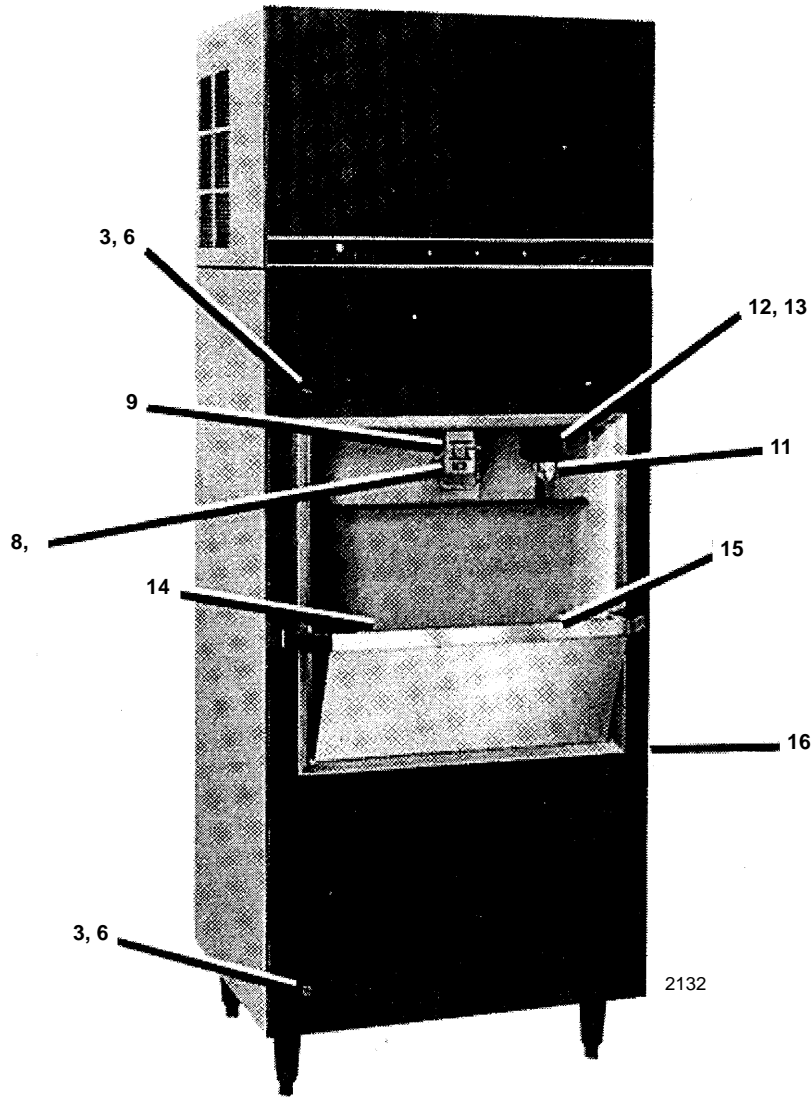




**Ice Machine Parts List for
Series FTA290, FSA291 Models**

FTA290, FSA291



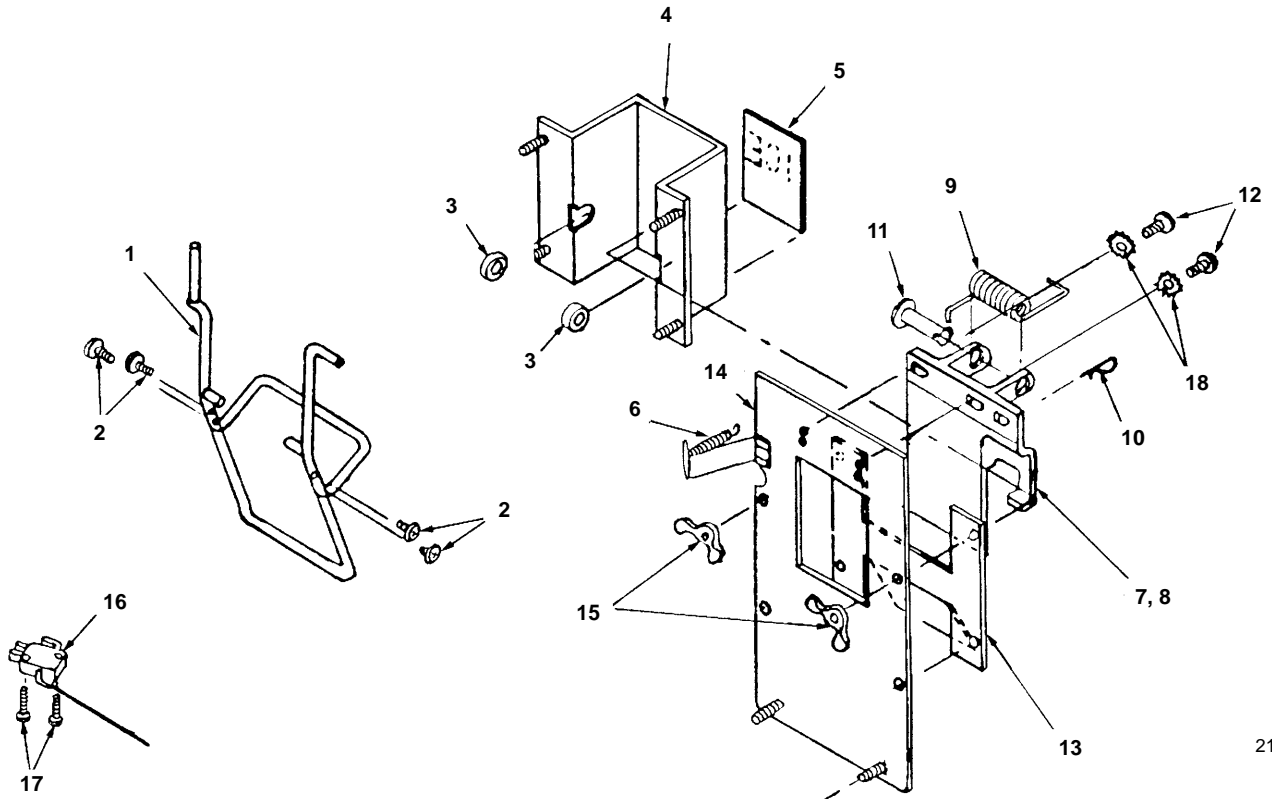
DESCRIPTION

PART NO.

1	Main Door Assembly – Textured Fawn	No Longer Available
2	Main Door Assembly – Stainless Steel	No Longer Available
3	Lock Assembly – Up to SN 890762559 (Must Identify):	
4	Tube Key Type Lock	No Longer Available
4a	Flat Key Type Lock	3060273
5	Key Only – Up to SN 890762559	7623793
6	Lock Assembly – Use after SN 890762560	3060273
7	Key for Lock 3060273	3060283
8	Ice Chute w/Label	No Longer Available
9	Label “ICE”	8132113
10	Actuating Arm	† 7623813
11	Water Dispensing Valve	† 202FN1101
12	Cover – Water Valve	No Longer Available
13	Label “WATER”	No Longer Available
14	Wire Grill	No Longer Available
15	Grill Support	No Longer Available
16	Hinge	No Longer Available

† Refer to Cross Reference Guide

FTA290, FSA291, CONTINUED



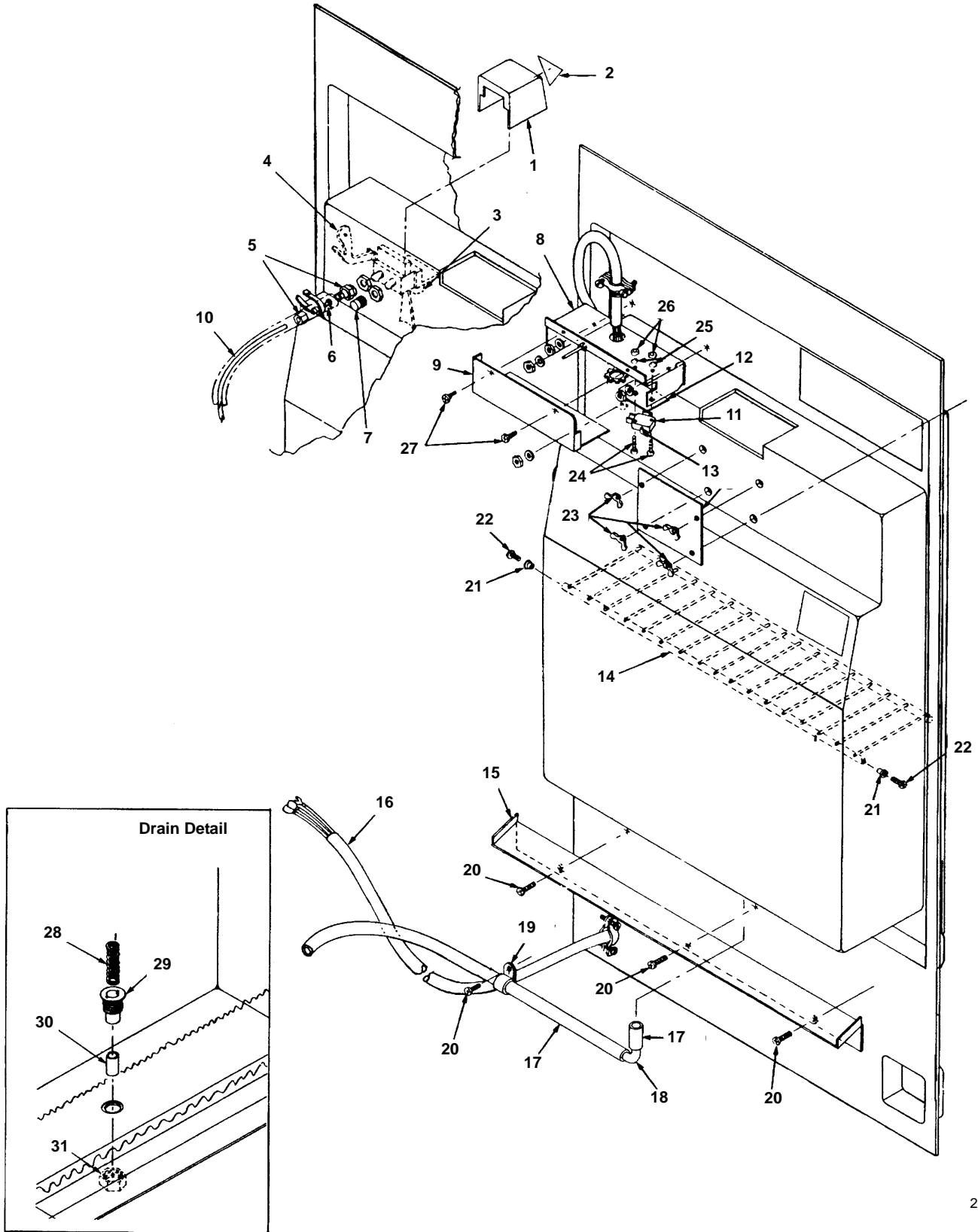
2133

DESCRIPTION

DESCRIPTION	PART NO.
1 Actuating Arm Assembly	† 7623813
2 Screw, #12-24 x 1/4 Phil. Hd.	† 5013299
3 Bushing 5/8" OD.	3730153
4 Ice Chute w/Label	No Longer Available
5 Label Only "ICE"	8132113
6 Spring – Extension	No Longer Available
7 Ice Door Assembly (Includes Items 8, 9, 10 & 11)*	7623343
8 Ice Door With Molded Hinge	4301763
9 Spring – Stainless Torsion	3300143
10 Wire Clip – Pin Retainer.	† 3712031
11 Pin – Spring Core	4301933
12 Screw, #8-32 x 3/8	† 5025519
13 Ice Chute Insert	No Longer Available
14 Delivery Plate/Spring Bracket.	No Longer Available
15 Wing Nut #8-32	5489029
16 Switch.	2301263
17 Screw, #4-40 x 5/8	† 5020619
18 Lockwasher	† 5544079

* To replace metal hinge and cyclolac door on units between SN 88000000 and 890300000, use #0700753.

FTA290, FSA291, CONTINUED

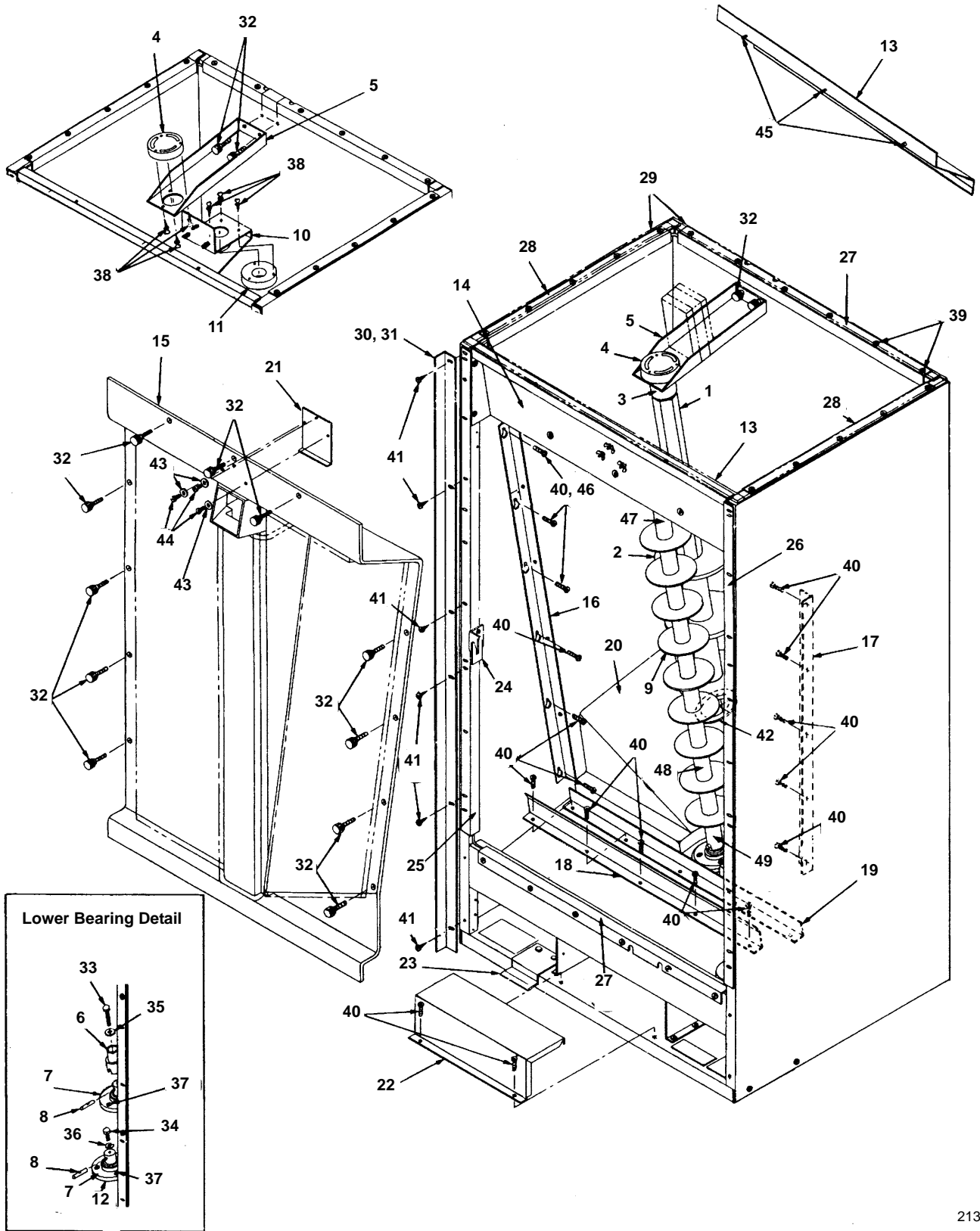


FTA290, FSA291, CONTINUED

DESCRIPTION	PART NO.
1 Cover – Trigger Water Valve	No Longer Available
2 Label – Water	No Longer Available
3 Water Valve	† 202FN1101
3a Water Valve Trigger Only	No Longer Available
4 Two Hand Water Trigger	8376033
5 Female Connector	No Longer Available
6 Nylon Insert	† 4420309
7 Cap	8373083
8 Ice Delivery Switch Box	No Longer Available
9 Cover – Ice Delivery Switch	No Longer Available
10 Poly Tubing 1/4" OD	4420291
11 Switch	2301263
12 Switch Insulator	6302614
13 Ice Delivery Backing Plate	No Longer Available
14 Wire Grill	No Longer Available
15 Condensation Angle	No Longer Available
16 Cord Assembly	No Longer Available
17 Vinyl Tube 1/2" ID 3/4" OD	† 4420333
18 Plated Elbow	No Longer Available
19 Clamp	5650101
20 Screw, #10 - 24 x 5/8" Self Tap	† 5202059
21 Shoulder Bushing	No Longer Available
22 Screw, #8-32 x 1/2"	† 5026249
23 Wing Nut #8-32	† 5489139
24 Screw, #4-40 x 5/8"	† 5020619
25 Lockwasher #4	No Longer Available
26 Hex Nut #4-40	† 5428539
27 Screw #8 x 1/2	† 5124649
28 Spring – Compression	3300173
29 Drain Plug	4301301
30 Drain Tube	† 6010011
31 Plastic Nut	4301291

† Refer to Cross Reference Guide

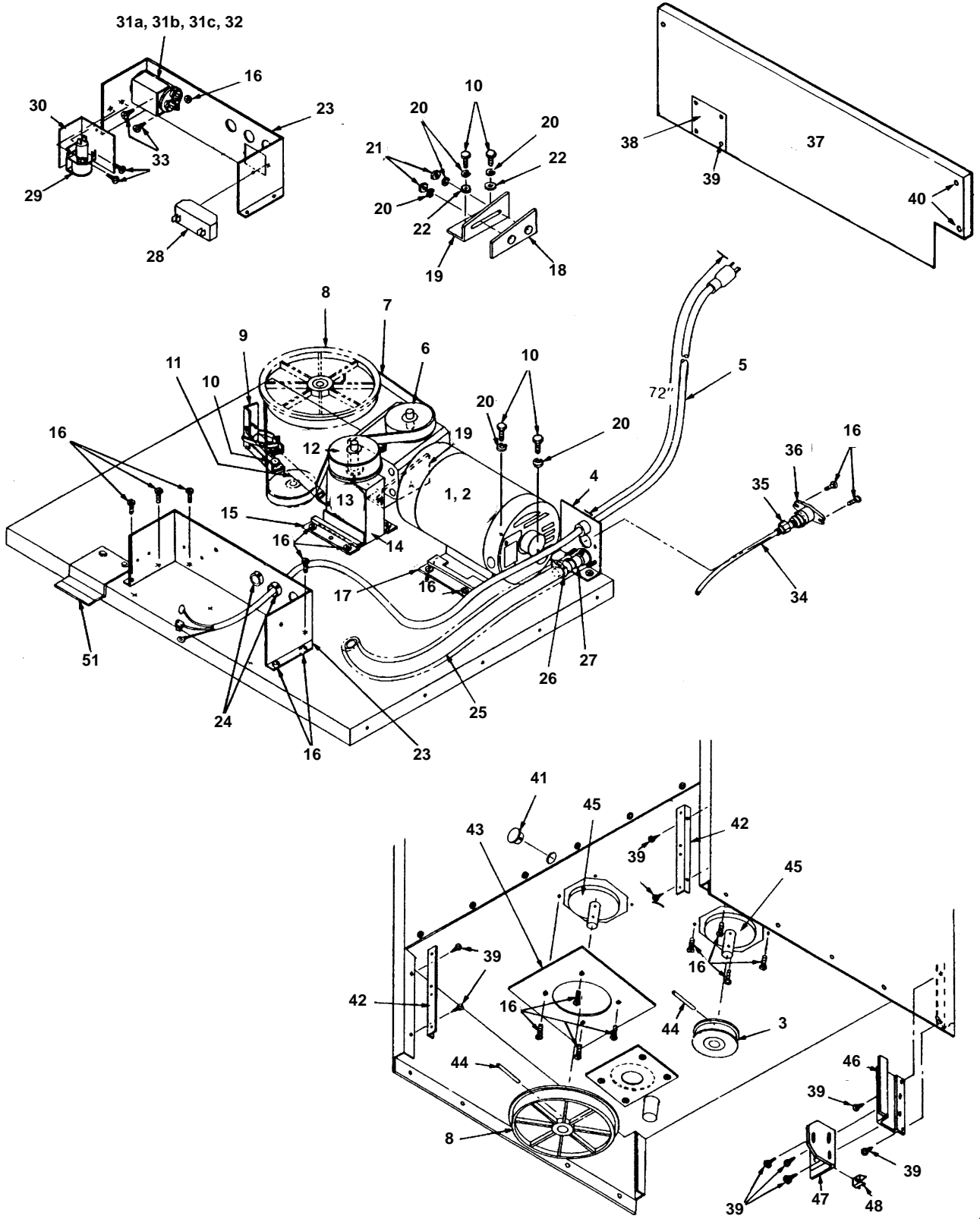
FTA290, FSA291, CONTINUED



FTA290, FSA291, CONTINUED

DESCRIPTION	PART NO.
1 Agitator Shaft	6652414
2 Agitator Auger Flighting 8" OD (Uses 5)	4301913
3 Upper Bearing Coupling	4301683
4 Agitator Bearing	4301743
5 Auger Mounting Bracket	6644314
6 Lower Bearing Coupling	4301693
7 Upper Housing Assembly	† 7623373
8 Pin	3710323
9 Dispensing Auger Flighting 4" OD (Uses 11)	5031191
10 Auger Bearing Bracket	No Longer Available
11 Auger Bearing	4301753
12 Upper Housing Seal (White Neoprene)	3718163
13 Deflector	† 6660314
14 Upper Liner Bracket	No Longer Available
15 Access Door Assembly	7623443
16 Left Hand Access Door Mounting Bracket	No Longer Available
17 Right Hand Access Door Mounting Bracket	No Longer Available
18 Access Door Retainer Bracket	No Longer Available
19 Access Door Base Bracket	No Longer Available
20 Liner Bottom Funnel	No Longer Available
21 Ice Restrictor Bracket	6286814
22 Junction Box Cover	No Longer Available
23 Door Shim	No Longer Available
24 Latch – Door Lock (After SN 890762560)	No Longer Available
Latch – Door Lock (Prior SN 890762559)	No Longer Available
Lower Latch (Not shown)	No Longer Available
25 Left Hand Front Trim	No Longer Available
26 Right Hand Front Trim	No Longer Available
27 Top Trim	No Longer Available
28 Top Side Trim	No Longer Available
29 Foam Tape	† 9202489
30 Tamper Bracket (Fawn)	No Longer Available
31 Tamper Bracket (Stainless Steel)	No Longer Available
32 Thumbscrew #8-32	† 5305049
33 Screw, 1/4-20 x 1"	† 5033539
34 Screw, 1/4-20 x 1/2"	† 5032369
35 Flatwasher 9/32 ID x 5/8	† 5573049
36 Lockwasher 1/4 Split	† 5545119
37 Cap Screw 1/4-20 x 2-1/8"	5013253
38 Thumbscrew #8 x 1/2"	† 5012169
39 Screw, #8 x 1/2" Type A	No Longer Available
40 Screw, #10-24 x 5/8" Self Tap	† 5202059
41 Screw, #8 x 1/2"	† 5121539
42 Washer, Agitator Shaft	6280214
43 Flatwasher #8	† 5504269
44 Screw, #8-32 x 3/8"	† 5025519
45 Wingnut #8-32 with Locking Insert	† 5489089
46 Upper Bearing	6001531
47 Clevis Pin	3712083
48 Dispensing Auger Shaft *IMPORTANT – See Note Below	000000168
49 Lower Coupling	5031190
*When replacing a fluidized steel auger with plastic auger assembly, the following parts are required.	
Auger Shaft	000000168
Upper Bearing	6001531
Clevis Pin	3712083
Auger Flighting (Uses 11)	5031191
Lower Coupling	5031190

FTA290, FSA291, CONTINUED



FTA290, FSA291

DESCRIPTION	PART NO.
1 Drive Motor/Gear Reducer Assy., 60 Hz**	† 7626813
2 Drive Motor Only 60 Hz	7626803
2a Run Capacitor 20 MFD 370V/60 Hz (for Boston Motor)**	† 8503413
2b Run Capacitor 50 MFD 240V/60 Hz (for Leeson Motor)	8504813
3 Small Drive Pulley w/Flanged Hub	3740123
4 Adapter Mounting Bracket	No Longer Available
5 Supply Cord	2030673
6 Small Drive Pulley with Keyway	3740083
7 Positive Drive Belt	3700213
8 Large Drive Pulley	3740103
9 Tensioner Bracket – Spring	No Longer Available
10 Screw, 5/16 – 18 x 5/8" Machine	† 5035659
11 Tensioner Spring	3300163
12 Belt Tightener Wheel	4301723
13 Washer	5573343
14 Belt Tensioner Mounting Bracket	6658414
15 Tensioner Lock Bracket	No Longer Available
16 Screw, #10-24 x 5/8" Self Tap	† 5202059
17 Gear Motor Lock Bracket	6281014
18 Shim Angle Weldment	6297014
19 Gear Box Angle Bracket	No Longer Available
20 Lockwasher, 5/16 Split	† 5573139
21 Hex Nut, 1/4 – 20	† 5429529
22 Washer, 5/16 Flat	† 5573099
23 Junction Box	No Longer Available
24 Bushing – 7/8"	† 2501409
25 Vinyl Tube 5/8" ID – 7/8" OD	† 4420383
26 Hose Clamp	† 5650609
27 Drain Fitting Assy	No Longer Available
28 Sinpac Switch (for Boston Motor)	† 7623353
29 Mercury Relay 115V/230V	No Longer Available
30 Mylar Insulation	No Longer Available
31a Start Capacitor for Baldor Motor. 130156 MFD @ 125V Case Size 4/60 Cycle	No Longer Available
31b Start Capacitor for Century Motor 161193 MFD @ 165V/60 Cycle	No Longer Available
31c Start Capacitor for Emerson Motor. 189227 MFD @ 165V Case Size 4	No Longer Available
32 Capacitor Mounting Bracket (for Boston Motor)	No Longer Available
32a Capacitor Mounting Bracket (for Leeson Motor)	No Longer Available
33 Screw #8 x 1/2" Type B	† 5124649
34 Polyflow Tubing 1/4" OD	4420291
35 Male Connector	1360961
36 Water Adapter	6002421
37 Lower Rear Access Panel	No Longer Available
38 Cover – Soda Line Entrance	No Longer Available
39 Screw – Soda Line Cover #8 x 1/2"	No Longer Available
40 Screw – Access Panel #8 – 3/4	† 5124659
41 Hole Plug 7/8"	4301463
42 Mounting Bracket – Lower Rear Access Panel	No Longer Available
43 Bearing Housing Support Plate	No Longer Available
44 Roll Pin	† 3712049
45 Lower Bearing Housing Assy	7623143
46 Lower Door Lock Mounting Bracket - Use up to SN890762559	6279614
47 Door Lock Bracket - Use up to SN890762559	No Longer Available
48 Nut Retainer - Use up to SN890762559	No Longer Available
49 Latch for Dispenser Door - Use After SN890762560	No Longer Available
50 Screw for Latch, #10 – 24 x 3/4" - Use After SN890762560	No Longer Available
51 Door Shim	No Longer Available

**See Page 10 for 230V parts.

230V/50 CYCLE PARTS

All parts are the same as 60 Hz Model with the following exceptions:

DESCRIPTION	PART NO.
Drive Motor/Gear Box Assembly 50 Hz	† 7626833
Drive Motor Only 50 Hz	7626823
Run Capacitor 50 Hz	† 8503413

† Refer to Cross Reference Guide