

Manitowoc

Foodservice

HOW TO READ A MODEL NUMBER

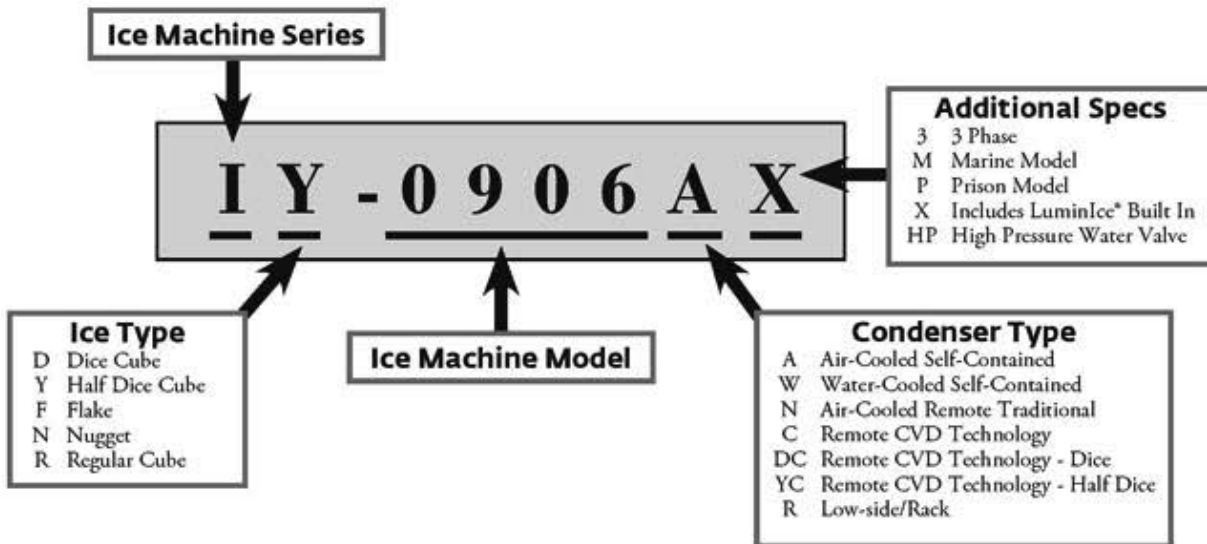


TABLE OF CONTENTS

Manitowoc Foodservice [Updated: Apr. 23, 2015]

Manitowoc - Ice & Related

Parts Catalog

Ice Machine

Indigo Series

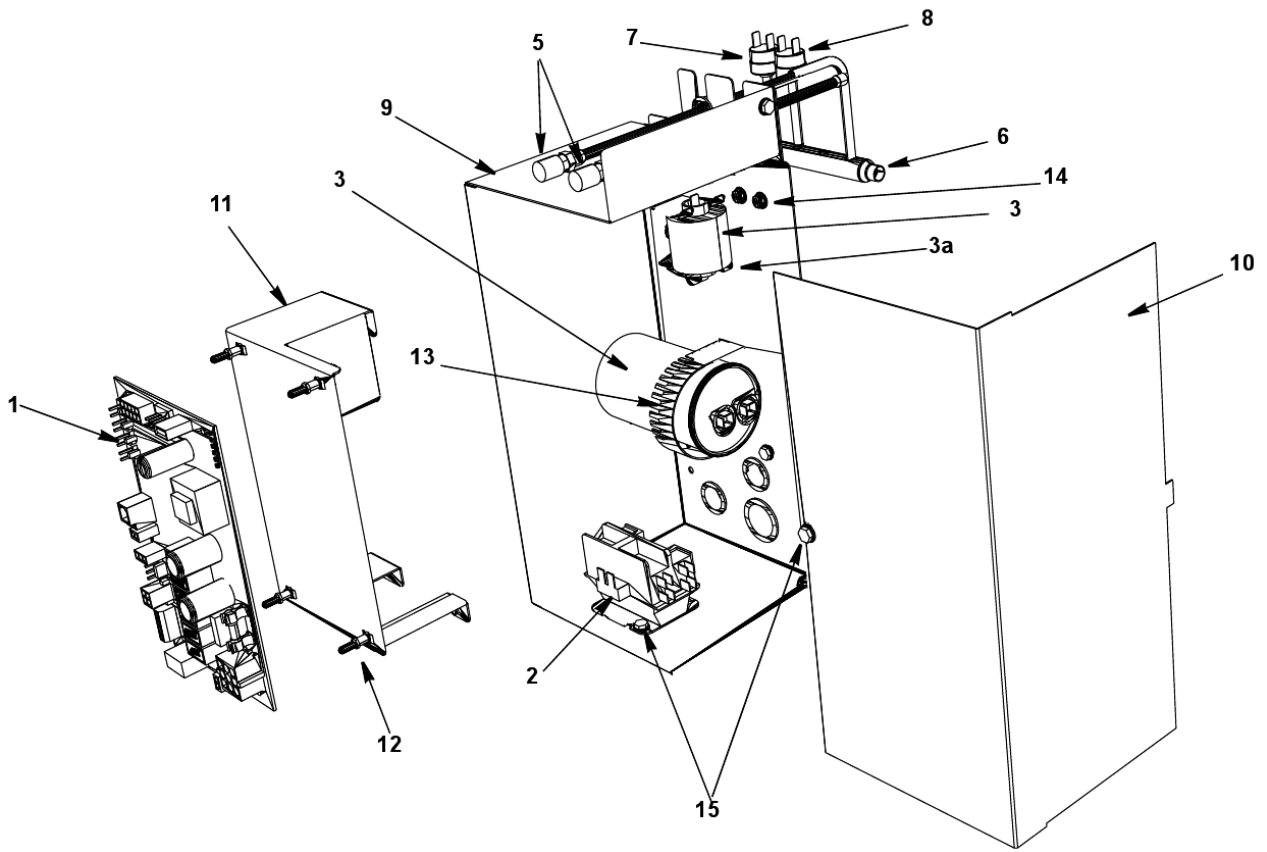
Indigo Model - Air, Water & Remote

i0906, JC0995 Indigo

i0906 Control Box	1
i0906 Evaporator Compartment - Common Components	3
i0906 Refrigeration Compartment - Common Components	6
i0906 Refrigeration Compartment - Air-cooled	9
i0906 Refrigeration Compartment - Water-cooled	11
i0906 Refrigeration Compartment - Remote	13
i0906 Panels	15
JC0995 Remote Condenser	17

i0906, JC0995 Indigo

I0906 CONTROL BOX



i0906, JC0995 Indigo

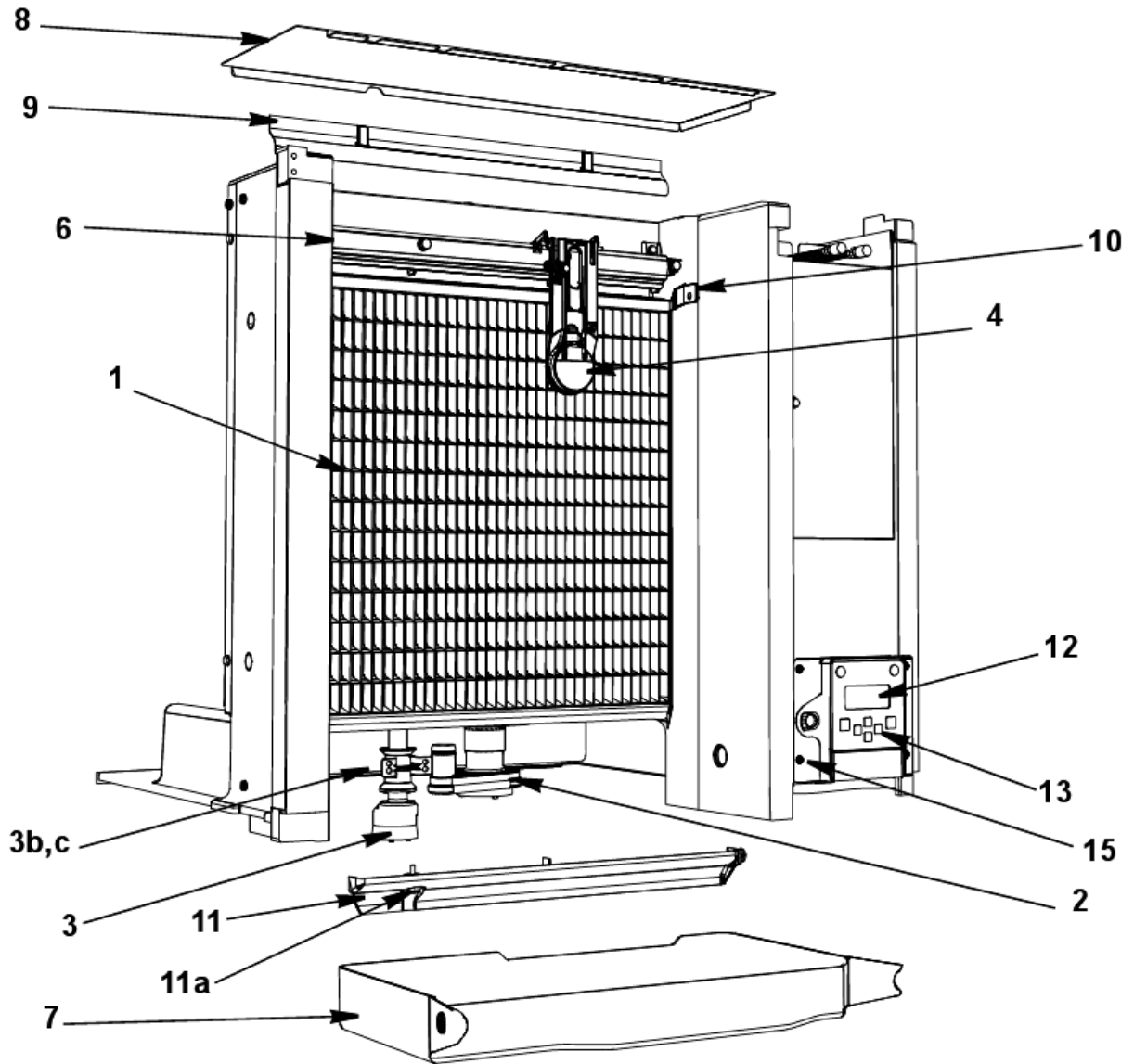
I0906 CONTROL BOX

#	PART #	DESCRIPTION	QTY	Note
1	000008309	Control Board		
1a	000009181	8 amp Ceramic Fuse - Mounted on Control Board		
2		Contactora		
2a	2006599	Contactora - 230V/50-60 Hz/1 Ph		
3	8504993	PTCR Compressor Starter		
3a	8505013	PTCR Compressor Starter Mounting Bracket		
4		Compressor Run Capacitor		
4a	8503933	Run Capacitor - 115-230V/50-60 Hz/1 Ph		[1]
4b	2010133	Run Capacitor - 50 Hz		[2]
5	8373263	Refrigeration Service Valve Assembly		
6	8251049	Manifold Strainer		
6a	6058571	Bracket		
7	2001243	HPCO		
8	2001273	Fan Cycling Control - 225-275 psig		[3]
9	000008279	Control Box		
10	000010421	Control Box Cover Control Box Cover		
11	000007564	Control Board Mounting Bracket		
12	4302253	Control Board Mounting Supports		
13	6033131	Capacitor Mounting Bracket		
14	5202169	Screw - #10-24 x 0.50" Ground		
14a	5573209	Star Washer Star Washer		
15	5202069	Screw - #10-24 x 0.50" HEX		
16	5573209	Star Washer		
17		Control Box Bushings		
17a	2500019	Bushing - 1.187"		
17b	2501409	Bushing - 0.875"		
18		Control Box Wiring Harness		
18a	000007179	Control Box Wiring Harness - 230V/60 Hz/1 Ph		
18b	000007181	Control Box Wiring Harness - 230V/60 Hz/3 Ph		
18c	000007180	Control Box Wiring Harness - 230V/50 Hz/1 Ph		
19		Compressor Compartment Wiring Harness		
19a	000007178	Compressor Compartment Wiring Harness - Air-cooled		
19b	000007176	Compressor Compartment Wiring Harness - Water-cooled		
19c	000007175	Compressor Compartment Wiring Harness - Remote Air-cooled		
20	000007772	Terminal Block - 6 Pole		[4]

PART NOTES:

- [1] - 208-230V/60 Hz/1 Ph
- [2] - 208-230V/50 Hz/1 Ph
- [3] - \pages from 200126_09.jpg" width=170 height=228>
- [4] - Remote Only

I0906 EVAPORATOR COMPARTMENT - COMMON COMPONENTS



i0906, JC0995 Indigo

I0906 EVAPORATOR COMPARTMENT - COMMON COMPONENTS

#	PART #	DESCRIPTION	QTY	Note
1		Evaporator Assembly		
1a	7602283	Evaporator - Dice Cube		
1b	7602273	Evaporator - Half Dice Cube		
1c	000011867	Evaporator - Regular Cube		
2		Water Pump - See Note for Usage		
2a	8251139	Water Pump - 230V/50-60 Hz		[1]
2b	8252709	Water Pump - 230V/50-60 Hz		[2]
3	000007052	Water Level Probe		
3a	000007724	Wire - Control Box to Water Level Probe		
3b	000007053	Water Level Probe - Holder		
3c	5202099	Screw - #10-24 x 0.50" PHIL		[3]
4	000008660	Ice Thickness Control Probe		
5	4010989	Water Curtain		
6	7602193	Water Distribution Tube - 30" L		
6a	5004649	O-Rings		[4]
7	000010337	Water Trough		[5]
8	000009055	Foodzone Seal Panel		
9	4008469	Evaporator Top Filler Panel		
9a	6063339	Bracket - Top Filler Panel		
9b	5202099	Screw - #10-24 x 0.50" PHIL		
10	7602203	Evaporator Top Frame Assembly		
11	7602213	Water Diverter - 30" Models		
11a	5305123	Thumbscrew SS - #8-32 x 0.44"		
12	000006728	LCD Display		
13	000007926	Touch Pad with Housing		
14	000007737	LCD Wiring Harness - 30" Long		
15	000006697	Touch Pad/Housing Mounting Bracket		
16		Front Panel LCD Frame		
16a	000006647	LCD Frame with Key Guard		
16b	000006564	LCD Frame without Key Guard		
16c	K00433	Display Cover		[6]
17	000006700	Ice Deflector		
18	5004799	Thumbscrew SS - #8-32 x 0.375"		[7]
18a	5004629	O-Ring - 0.125" ID		
19	5004619	Screw - #12-16 x 0.687"		
20	000010244	Water Pump Mount		
21	5004659	Water Pump Base O-Ring - 4.00" ID		
22	5004679	Water Pump Outlet O-Ring - 0.875" ID		

PART NOTES:

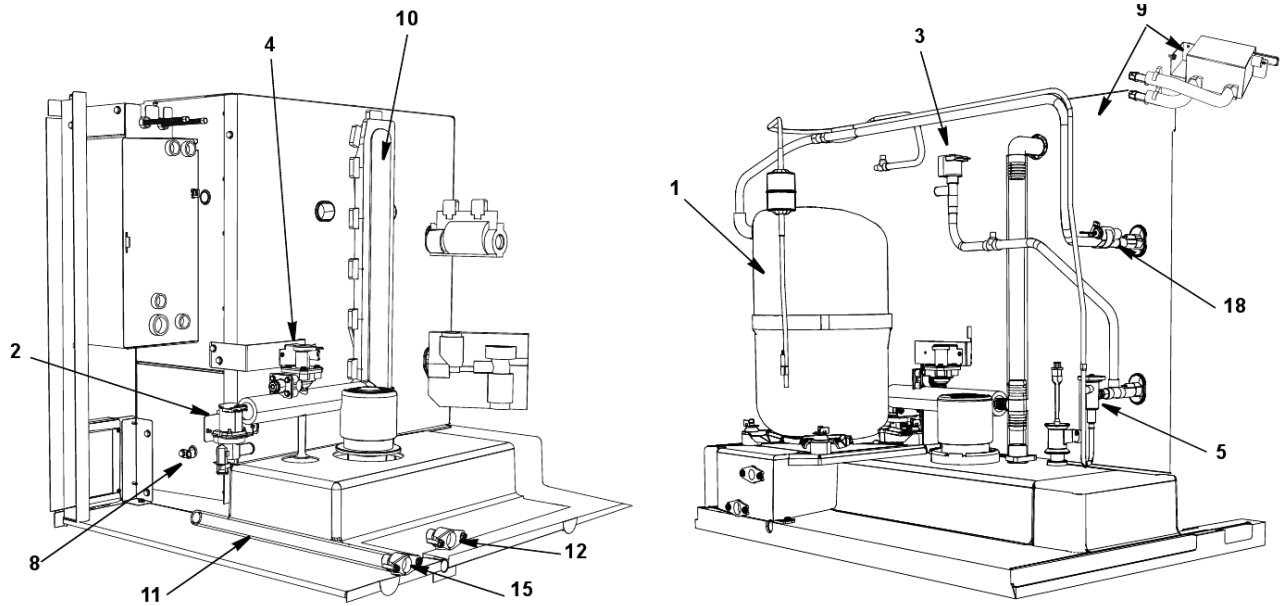
- [1] - 60 Hz
- [2] - 50 Hz
- [3] - Mount Water Level Probe Holder
- [4] - Back of Distribution Assembly
- [5] - \water trough with tabs.jpg" width=355 height=194>

I0906 EVAPORATOR COMPARTMENT - COMMON COMPONENTS

PART NOTES:

- [6] - hides the display completely
- [7] - Water Distribution Tube Mounting

I0906 REFRIGERATION COMPARTMENT - COMMON COMPONENTS



i0906, JC0995 Indigo

I0906 REFRIGERATION COMPARTMENT - COMMON COMPONENTS

#	PART #	DESCRIPTION	QTY	Note
1		Compressor		
1a	000011853	Compressor - Bristol - 230V/60 Hz/1 Ph		
1b	000011855	Compressor - Bristol - 230V/60 Hz/3 Ph		
1c	000011854	Compressor - Bristol - 230V/50 Hz/1 Ph		
1d	000005176	Compressor Molded Plug Wiring Harness		
1e	2008263	Compressor - Wiring Harness - 3 Ph		
2		Water Dump Valve		[1]
2a	000001768	Water Dump Valve - 208-230V/50-60 Hz		
2b	6058459	Water Dump Valve Mounting Bracket		
2c	4420383	Clear Tubing - 0.625" ID		
3		Harvest Valve		
3a	000007017	Solenoid Valve Including 208-230V/50-60 Hz Electrical Coil		
3b	000005157	Danfoss Solenoid Valve Coil Only - 230V/50-60 Hz		[2]
4		Water Inlet Valve with Bracket		
4a	000009122	Water Inlet Valve - 208-230V/50-60 Hz		
5	000011866	Expansion Valve		
5a	4013299	Valve Insulation Boot - Body		
5b	000002719	Valve Insulation Boot - Bulb		
6	8373149	Magni-Check Valve - 0.375"		
7	000008310	Thermistor with Spring Clips		
8	000007888	Magnetic Bin Switch		
8a	000007410	Bin Switch Wiring Harness		
9	K00424	LuminIce		
9a	K00425	LuminIce Bulb		
9b	000007409	LuminIce Wiring Harness		
9c	000007990	Bulkhead Fitting 2.25"		
9d	000008269	Bulkhead Fitting 2.75"		
10	000003406	Insulated Tube		[3]
10a	5650609	Snap Clamp - 1.0" ID		
10b	5650709	Snap Clamp - 0.799"/0.899" ID		
11	000001382	Vinyl Tubing 0.625" ID		[4]
11a	6038831	Insulation 0.88 ID X 0.25W X 13.50L		
11b	5650709	Snap Clamp - 0.799"/0.899" ID		
12	8706093	Female Wing Adapter - 0.375"		
12a	1360961	Male Connector		
13	4010439	Tubing - Water Inlet Valve		[5]
14	1360989	Connector - Water Inlet Valve		
15	8706133	Female Wing Adapter - 0.50"		
16		Compressor Mounting		
16a	6061709	Compressor Mounting Base		
16b	8503069	Mounting - Rubber Grommet		
16c	8503949	Mounting - Sleeve		
16d	5004819	Compressor Mounting - Bolt		
16e	5004829	Nut Compressor Mounting - Nut		
17	5650529	Clamp - Expansion Valve Bulb		
18	3000503	Strap - Expansion Valve Bulb - 0.5"		

I0906 REFRIGERATION COMPARTMENT - COMMON COMPONENTS

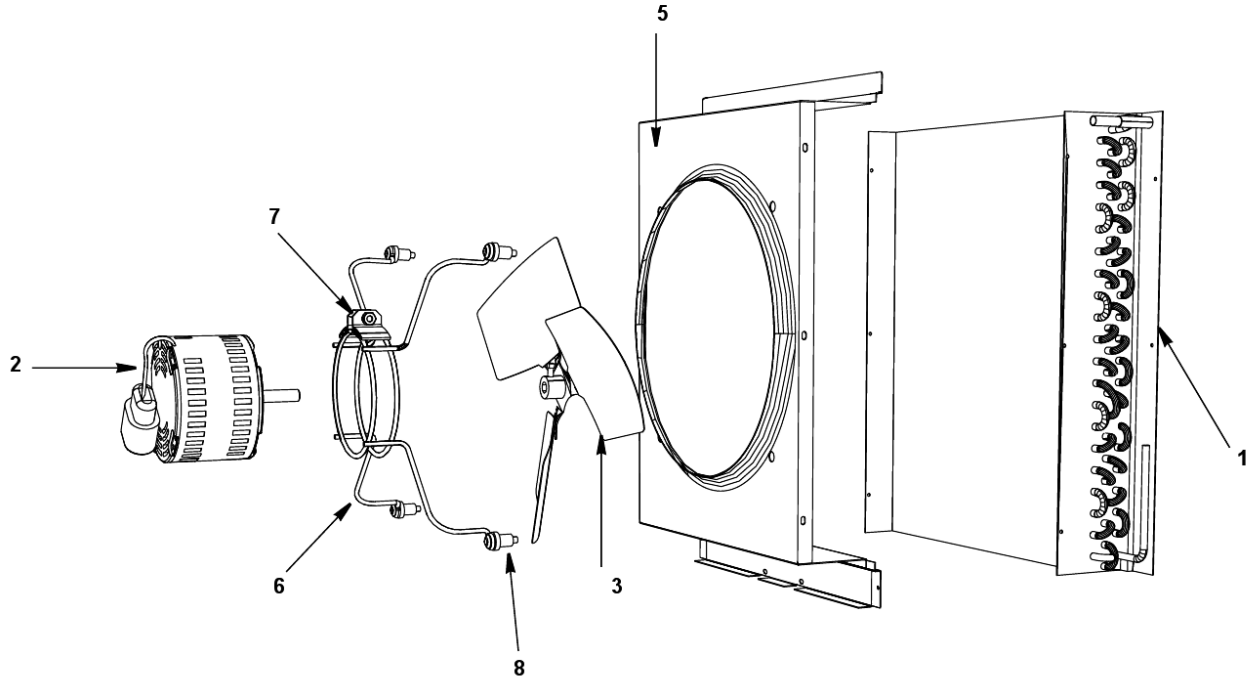
#	PART #	DESCRIPTION	QTY	Note
19	5202069	Screw - #10-24 x 0.50" HEX		

PART NOTES:

- [1] - with bracket
- [2] - \pages from 000005156_02.jpg" width=266 height=183>
- [3] - vinyl tubing from distribution tube to water pump & dump valve
- [4] - dump valve to drain adapter
- [5] - \pages from 401043_05.jpg" width=1797 height=2238>

i0906, JC0995 Indigo

I0906 REFRIGERATION COMPARTMENT - AIR-COOLED



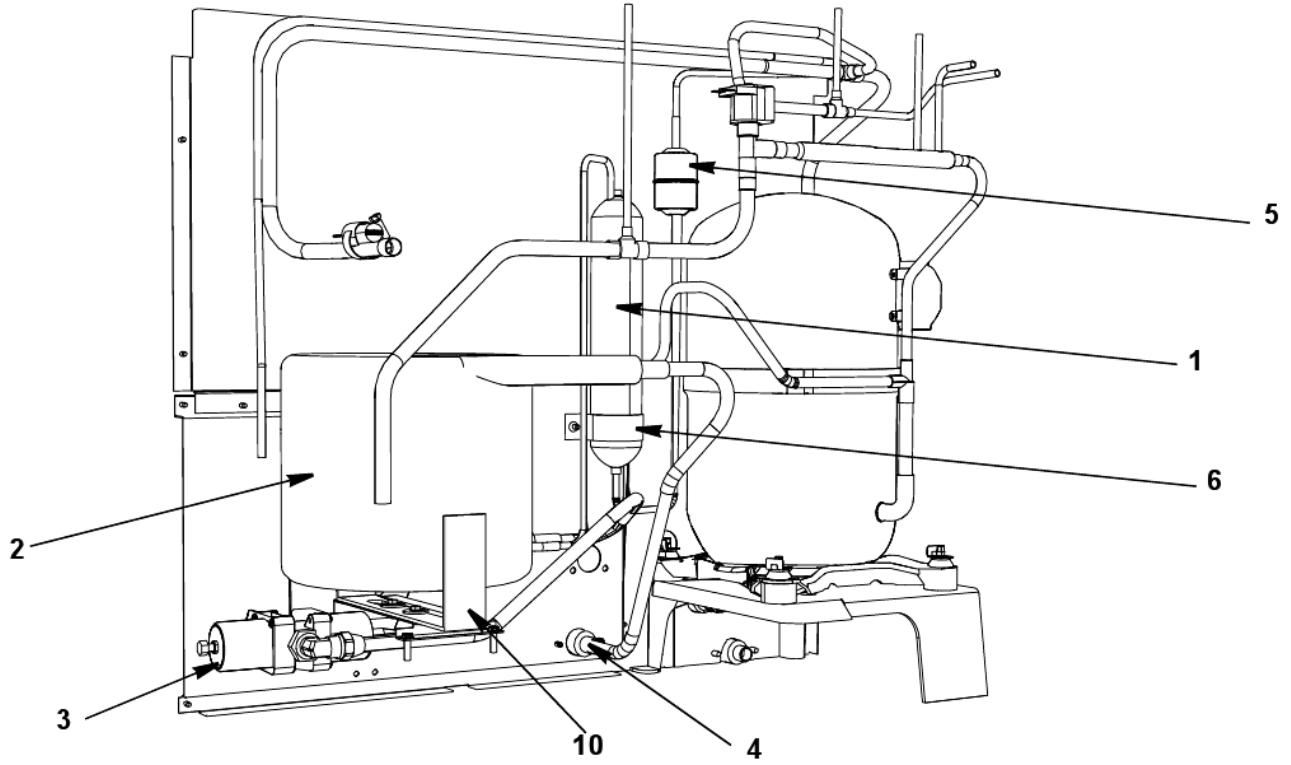
i0906, JC0995 Indigo

I0906 REFRIGERATION COMPARTMENT - AIR-COOLED

#	PART #	DESCRIPTION	QTY	Note
1	8252399	Air Condenser		
2		Fan Motor		
2a	7626723	Fan Motor - 208-230V/50-60 Hz		
3	2416123	Fan Blade		
4	8930259	Drier		
5	6058119	Fan Shroud		
6	3006843	Fan Motor Bracket		
7	5033589	Mounting - Screw		
7a	5545109	Lockwasher		
7b	5429529	Mounting - Hexnut		
8		Fan Bracket Mounting		
8a	5033589	Mounting - Screw		
8b	5545109	Lockwasher		
8c	5573059	Mounting - Flatwasher		
8d	5429559	Mounting - Rubber Wellnut		
9	5202069	Screw - #10-24 x 0.50" HEX		

i0906, JC0995 Indigo

I0906 REFRIGERATION COMPARTMENT - WATER-COOLED

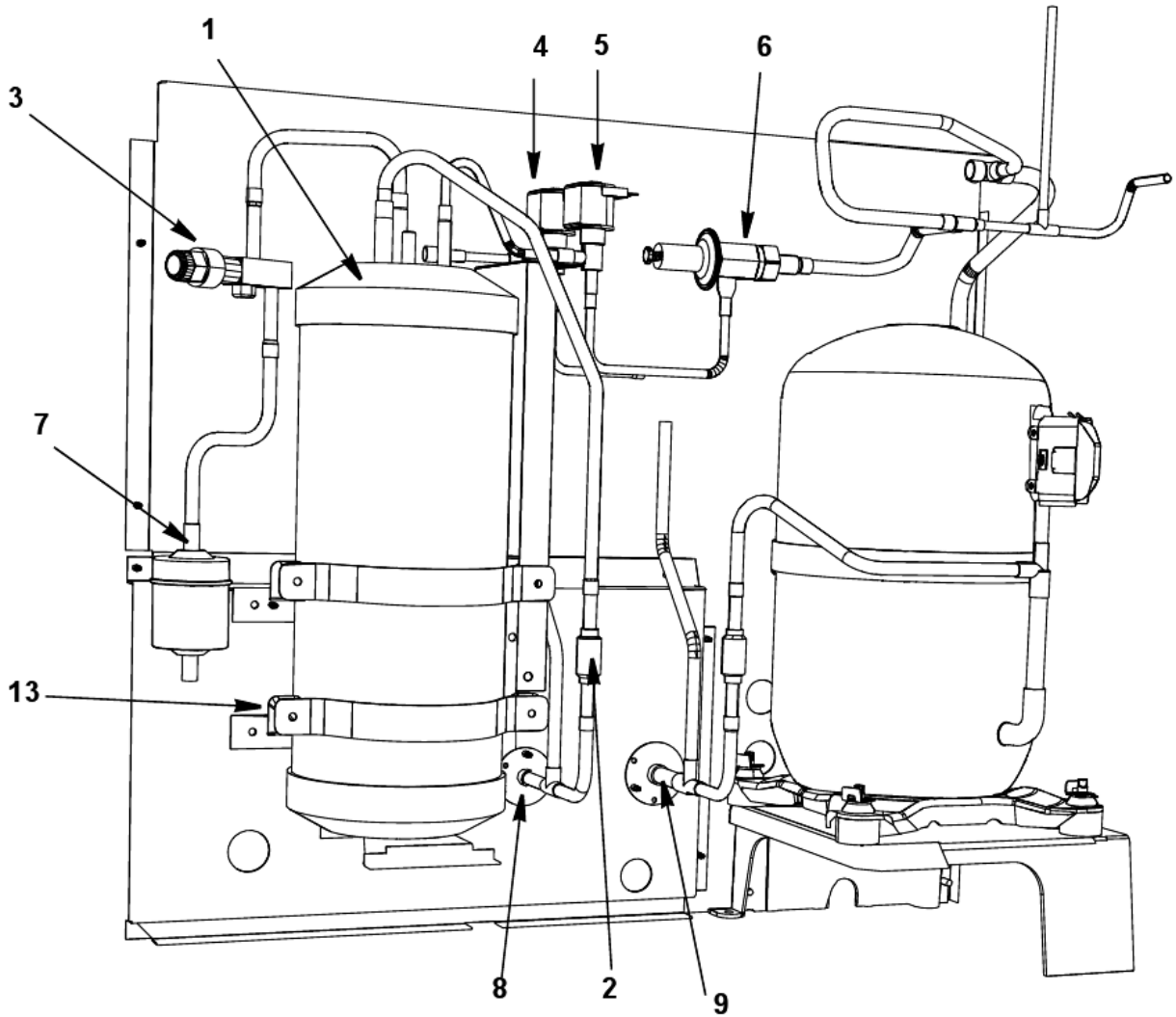


i0906, JC0995 Indigo

I0906 REFRIGERATION COMPARTMENT - WATER-COOLED

#	PART #	DESCRIPTION	QTY	Note
1	000008893	Receiver		
2	000001507	Water-cooled Condenser		
3	000007546	Water Regulating Valve		
4	8706083	Female Wing Adapter - 0.50"		
5	8930259	Drier		
6	6000541	Receiver Strap		
7	5002249	Elbow - 0.5" MF x 0.375" MPT		
8	5202069	Screw - #10-24 x 0.50" HEX		
9	5573419	Washer		
10	6058659	Base, Water Condenser/Receiver		

I0906 REFRIGERATION COMPARTMENT - REMOTE



i0906, JC0995 Indigo

10906 REFRIGERATION COMPARTMENT - REMOTE

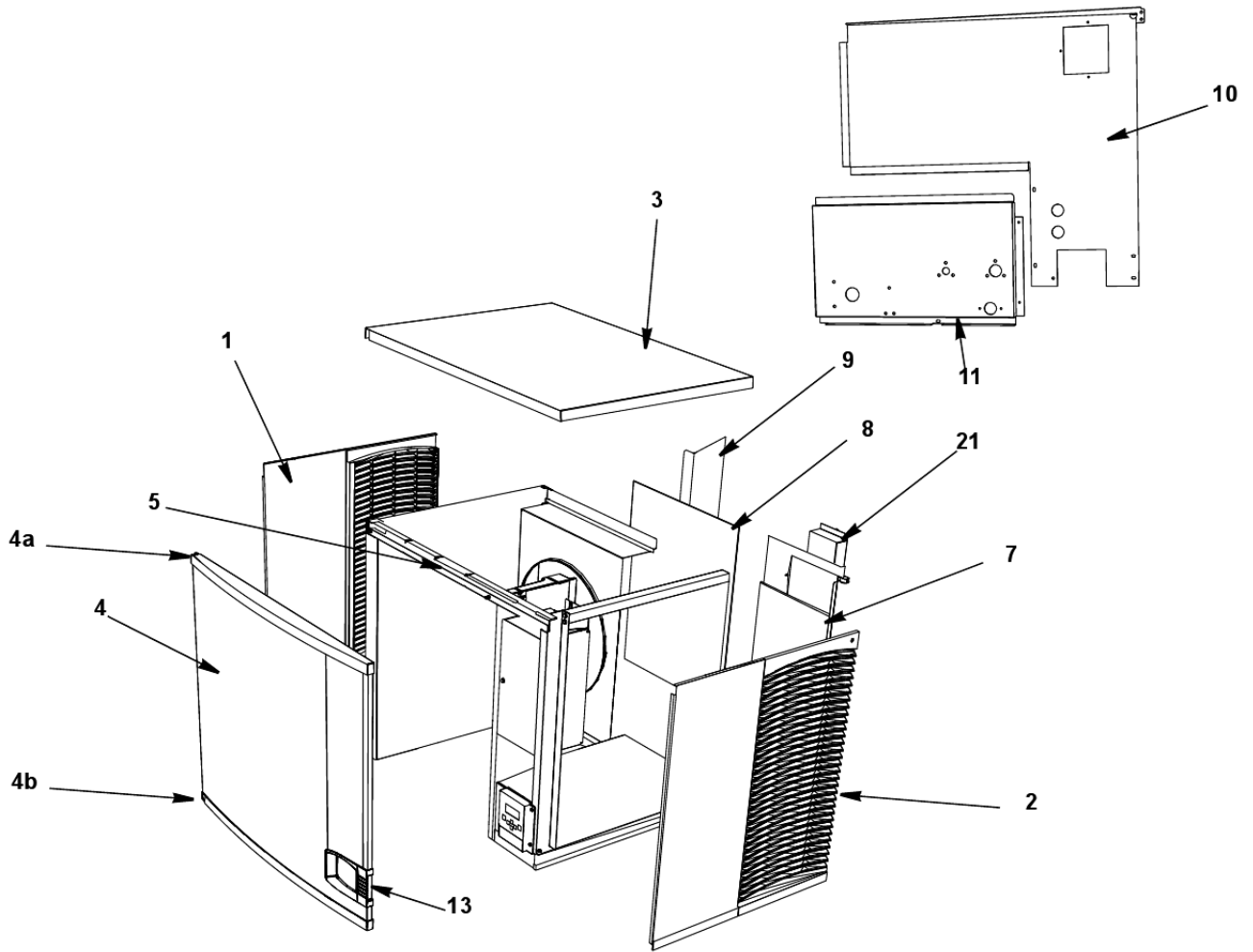
#	PART #	DESCRIPTION	QTY	Note
1	7629573	Receiver		
2	8373149	Magni-Check Valve - 0.375"		
3	8373169	Receiver Service Valve		
3a	5650753	Caps for Refrigeration Service Valve		
4		Harvest Pressure Regulating Valve		
4a	000007034	Solenoid Valve Including - 208-230V/50-60 Hz Electrical Coil		[1]
4b	000005157	Danfoss Solenoid Valve Coil Only - 230V/50-60 Hz		[2]
5		Liquid Line Solenoid Valve		
5a	000007032	Solenoid Valve Including - 208-230V/50-60 Hz Electrical Coil		[1]
5b	000005157	Danfoss Solenoid Valve Coil Only - 230V/50-60 Hz		[2]
6	8367793	Harvest Pressure Regulating Valve		
7	8930279	Drier		
8	8360343	Coupling - Male - 0.625"-18		
9	8360353	Coupling - Male - 1.17"-12		
10	8360053	Coupling Mounting Flange for 0.625"-18		
11	8360063	Coupling Mounting Flange for 1-1/16-12		
12	5650619	Screw Mounting Base		
13		Receiver Mounting		
13a	6000561	Brackets Receiver Mounting Bracket		[3]
13b	6307214	Receiver Mounting Strap		
13c	000006721	Support Bracket		
13d	6058659	Base, Water Condenser/Receiver		
13e	5202069	Screw - #10-24 x 0.50" HEX		

PART NOTES:

- [1] - Danfoss
- [2] - \pages from 000005156_02.jpg" width=266 height=183>
- [3] - between receiver and panel

i0906, JC0995 Indigo

I0906 PANELS



i0906, JC0995 Indigo

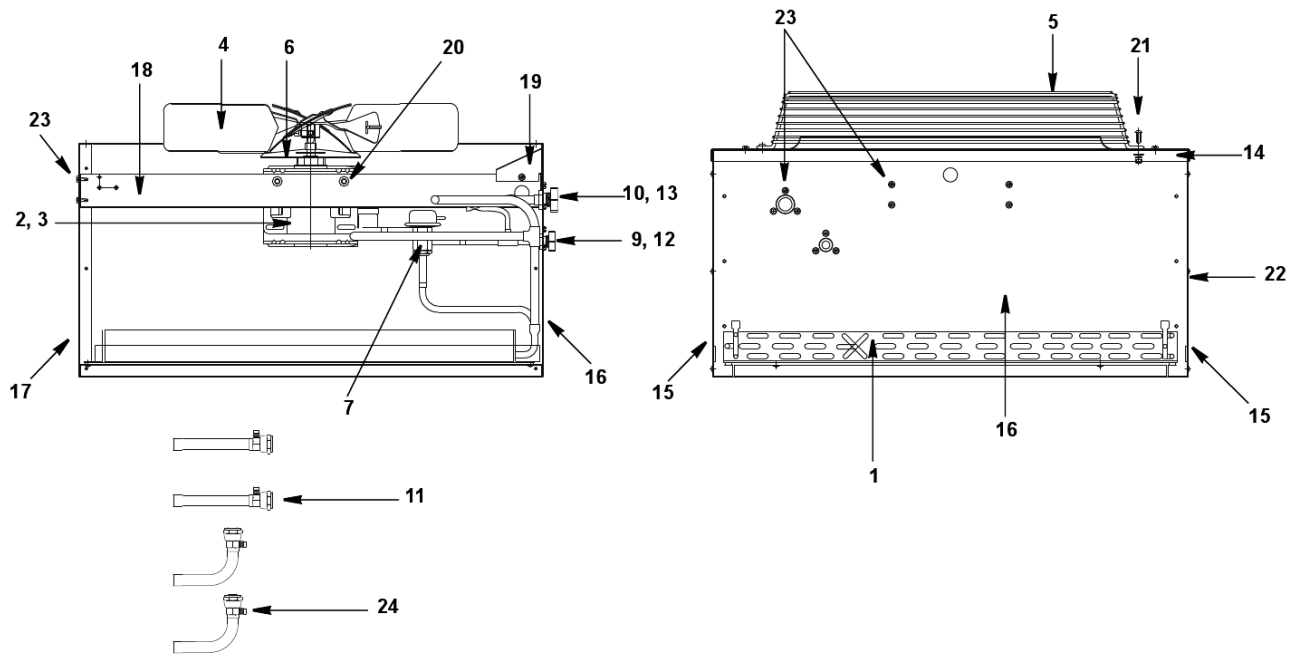
I0906 PANELS

#	PART #	DESCRIPTION	QTY	Note
1	000005224	Left Side Panel		
2	000005222	Right Side Panel		
3	000006699	Top Cover		
4	000006578	Front Panel Assembly		
4a	000006538	Top Endcap		
4b	000006539	Bottom Endcap		
5	000010051	Front Top Support		
5a	5005379	Mounting Screw - #8-32 x 1.0" PHIL		
5b	5005099	Screw - #10-16 x 0.625"		
6	6061709	Compressor Mounting Base		
		Air-cooled Back Panels		
7	000007868	Back Panel with Electrical Connection Box, Air-cooled Models		
8	3005559	Air Filter		
9	000007502	Air Baffle Assembly		
		Water-cooled & Remote Air-cooled Back Panels		
10	000007870	Back Panel with Electrical Connection Box		
11	6061739	Back Coupling Panel - Water-cooled and Remote Air-cooled		
12	8706083	Female Wing Adapter - 0.50"		
13		Front Panel LCD Frame		
13a	000006647	LCD Frame with Key Guard		
13b	000006564	LCD Frame without Key Guard		
13c	K00433	Display Cover		[1]
14	5004899	Front Door Screw		
15	7602263	Bottom Door Frame		
15a	5005379	Mounting Screw - #8-32 x 1.0" PHIL		
15b	5202099	Screw - #10-24 x 0.50" PHIL		
16	3005579	Left Door Pivot Leaf Hinge		[2]
16a	5005379	Mounting Screw - #8-32 x 1.0" PHIL		
17	6068649	Left Top Channel		
18	6062579	Right Top Channel		
19	000010300	Left Corner Post		
20	000010683	Right Corner Post		
21		Electrical Box on Rear of Ice Machine		
21a	6067289	Rear Connection Box		
21b	6067299	Cover - Rear Connection Box		
21c	2006143	Terminal Block - 50 Hz - 3 Pole		
21d	5202169	Screw - #10-24 x 0.50" Ground		
22	7112359	Cartoning		

PART NOTES:

- [1] - hides the display completely
- [2] - Top or Bottom

JC0995 REMOTE CONDENSER



i0906, JC0995 Indigo

JC0995 REMOTE CONDENSER

#	PART #	DESCRIPTION	QTY	Note
1	8850629	Air Condenser		
2	7629413	Fan Motor - 208-230V/50-60 Hz/1 Ph		
3	8504583	Fan Motor Run Capacitor		[1]
4	2416113	Fan Blade		
5	3400643	Fan Guard		
6	2415053	Rain Slinger		
7	000004070	Head Pressure Control Valve		
8	000008040	Terminal Block - 3 Pole		
9	8360343	Coupling - Male - 0.625"-18		
10	8360353	Coupling - Male - 1.17"-12		
11	K00129	Female Line Set Coupling Kit		
12	8360053	Coupling Mounting Flange for 0.625"-18		
13	8360063	Coupling Mounting Flange for 1-1/16"-12		
14	6017751	Top Cover		
15	000000609	Panel - Side		
16	000000608	Panel - Rear		
17	000000607	Panel - Front		
18	6017681	Fan Motor Mounting Bracket		
19	6017761	Electrical Box Cover		
20	5035659	Fan Motor Mounting Screw		
20a	5573099	Mounting - Flatwasher		
20b	5573139	Mounting - Lockwasher		
20c	5429759	Mounting - Hexnut		
21	5033459	Screw - 0.25"-20 x 0.625"		
21a	5573049	Flatwasher		
21b	5545119	Mounting - Lockwasher		
21c	5429529	Mounting - Hexnut		
22	5121539	Panel/Condenser Mounting Screw - #8 x 0.50"		
22a	5544599	Panel/Condenser Mounting Lockwasher		
23	5202069	Screw - #10-24 x 0.50" HEX		
24	7626843	Valve Cores		[2]
25	000000718	Legs		
26	7108369	Cartoning		
27	000007580	Fan Cycle Control		

PART NOTES:

- [1] - Emerson
- [2] - used in line sets