

Manitowoc

Foodservice

HOW TO READ A MODEL NUMBER

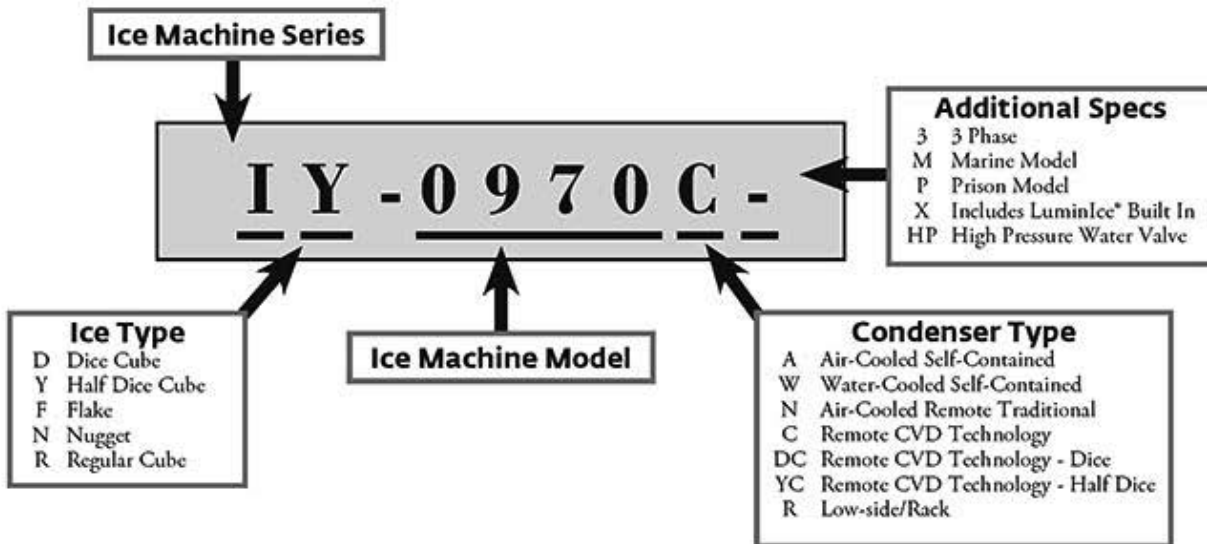


TABLE OF CONTENTS

Manitowoc Foodservice [Updated: Apr. 23, 2015]

Manitowoc - Ice & Related

Parts Catalog

Ice Machine

Indigo Series

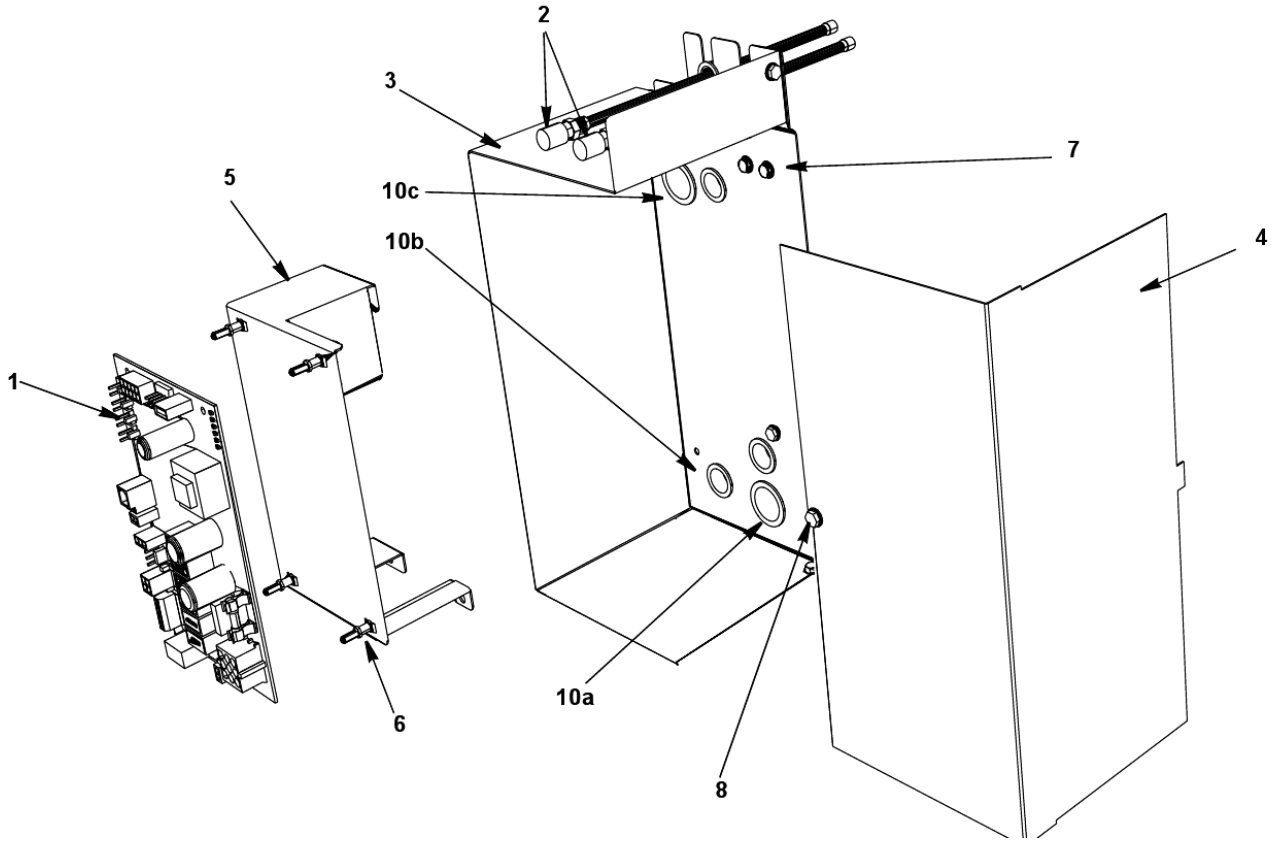
Indigo Model - QuietQube

i0970C, iCVD0996 Indigo

i0976C Head Section - Control Box	1
i0976C Evaporator Compartment - Common Components	3
i0976C Refrigeration Compartment - Common Compartments View 1	6
i0976C Refrigeration Compartment - Common Components View 2	8
i0976C Head Section - Panels	10
iCVD0996 Condensing Unit - Refrigeration Compartment	12
iCVD0996 Condensing Unit - Panels	15

i0970C, iCVD0996 Indigo

I0976C HEAD SECTION - CONTROL BOX

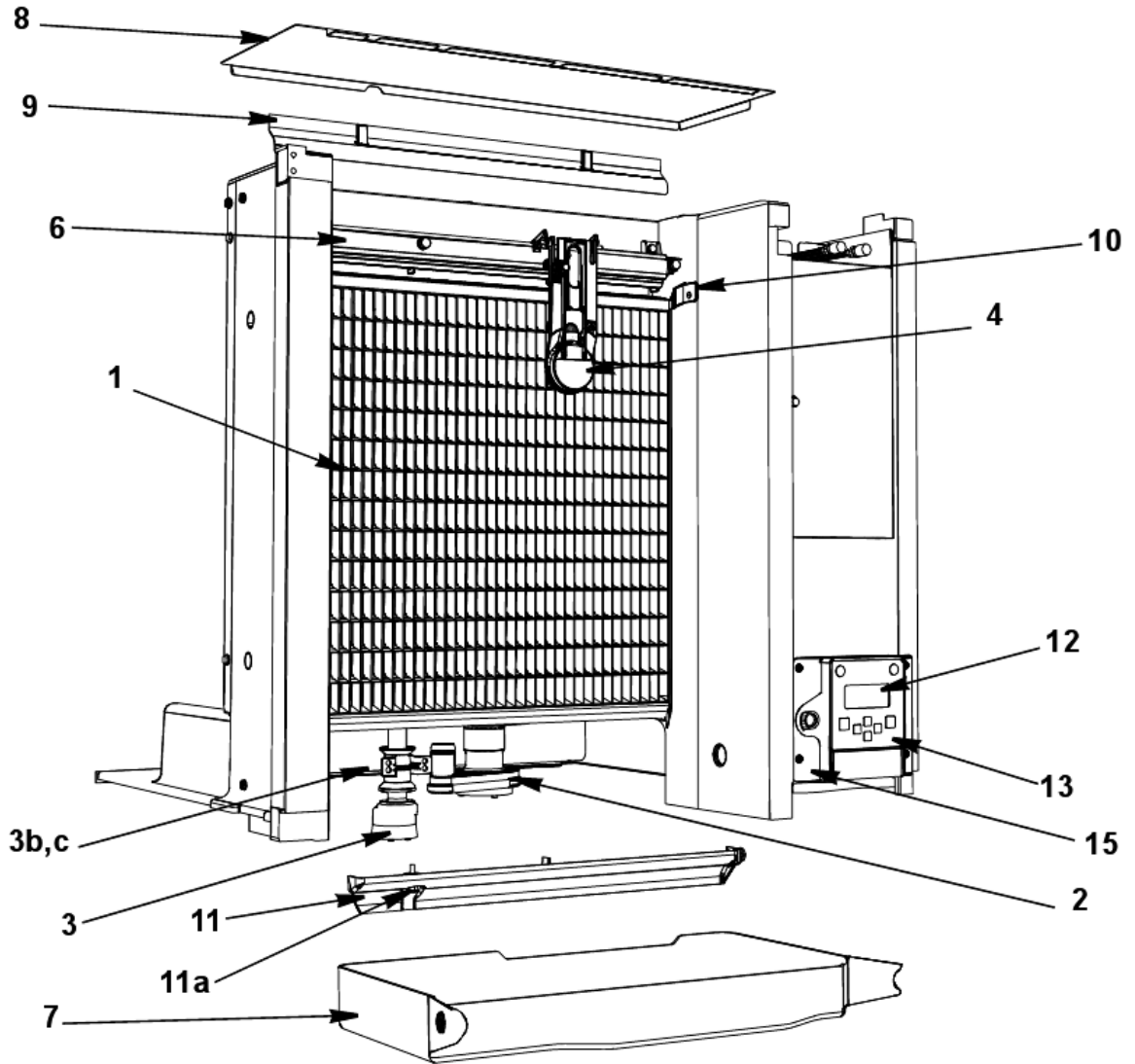


i0970C, iCVD0996 Indigo

I0976C HEAD SECTION - CONTROL BOX

#	PART #	DESCRIPTION	QTY	Note
1	000008309	Control Board		
1a	000009181	8 amp Ceramic Fuse - Mounted on Control Board		
2	8373263	Refrigeration Service Valve Assembly		
3	000008279	Control Box		
4	000010421	Control Box Cover		
5	000007564	Control Board Mounting Bracket		
6	4302253	Control Board Mounting Supports		
7	5202169	Screw - #10-24 x 0.50" Ground		
7a	5573209	Star Washer		
8	5202069	Screw - #10-24 x 0.50" HEX		
9	5573209	Star Washer		
10		Control Box Bushings		
10a	2500019	Bushing - 1.187"		
10b	2501409	Bushing - 0.875"		
10c	2500029	Bushing - 1.125" OD x 0.75" ID		
11		Control Box Wiring Harness		
11a	000007182	Control Box Wiring Harness - 115V/60 Hz/1 Ph		
11b	000007183	Control Box Wiring Harness - 230V/50 Hz/1 Ph		
12		Refrigeration Compartment Wiring Harness		
12a	000007187	Wiring Harness - Refrigeration Compartment - 115V/60 Hz/1 Ph & 230V/50 Hz/1 Ph		

I0976C EVAPORATOR COMPARTMENT - COMMON COMPONENTS



i0970C, iCVD0996 Indigo

I0976C EVAPORATOR COMPARTMENT - COMMON COMPONENTS

#	PART #	DESCRIPTION	QTY	Note
1		Evaporator Assembly		
1a	7602283	Evaporator - Dice Cube		
1b	7602273	Evaporator - Half Dice Cube		
1c	000011867	Evaporator - Regular Cube		
2		Water Pump		
2a	8252269	Water Pump - 115V/60 Hz		
2b	8252709	Water Pump - 230V/50-60 Hz		
2c	000010244	Water Pump Mount		
3	000007052	Water Level Probe		
3a	000007724	Wire - Control Box to Water Level Probe		
3b	000007053	Water Level Probe - Holder		
3c	5202099	Screw - #10-24 x 0.50" PHIL		[1]
4	000008660	Ice Thickness Control Probe		
5	4010989	Water Curtain		
6	7602193	Water Distribution Tube - 30" L		
6a	5004649	O-Rings		[2]
7	000010337	Water Trough		[3]
8	000009055	Foodzone Seal Panel		
9	4008469	Evaporator Top Filler Panel		
9a	6063339	Bracket - Top Filler Panel		
9b	5202099	Screw - #10-24 x 0.50" PHIL		
10	7602203	Evaporator Top Frame Assembly		
11	7602213	Water Diverter - 30" Models		
11a	5305123	Thumbscrew SS - #8-32 x 0.44"		
12	000006728	LCD Display		
13	000007926	Touch Pad with Housing		
14	000007737	LCD Wiring Harness - 30" Long		
15	000006697	Touch Pad/Housing Mounting Bracket		
16		Front Panel LCD Frame		
16a	000006647	LCD Frame with Key Guard		
16b	000006564	LCD Frame without Key Guard		
16c	K00433	Display Cover Display Cover		[4]
17	000006700	Ice Deflector		
18	5004799	Thumbscrew SS - #8-32 x 0.375"		[5]
18a	5004629	O-Ring - 0.125" ID		
19	5004619	Screw - #12-16 x 0.687"		
20	5004659	Water Pump Base O-Ring - 4.00" ID		
21	5004679	Water Pump Outlet O-Ring - 0.875" ID		
22	000010244	Water Pump Mount		

PART NOTES:

- [1] - Mount Water Level Probe Holder
- [2] - Back of Distribution Assembly
- [3] - \water trough with tabs.jpg" width=355 height=194>
- [4] - hides the display completely

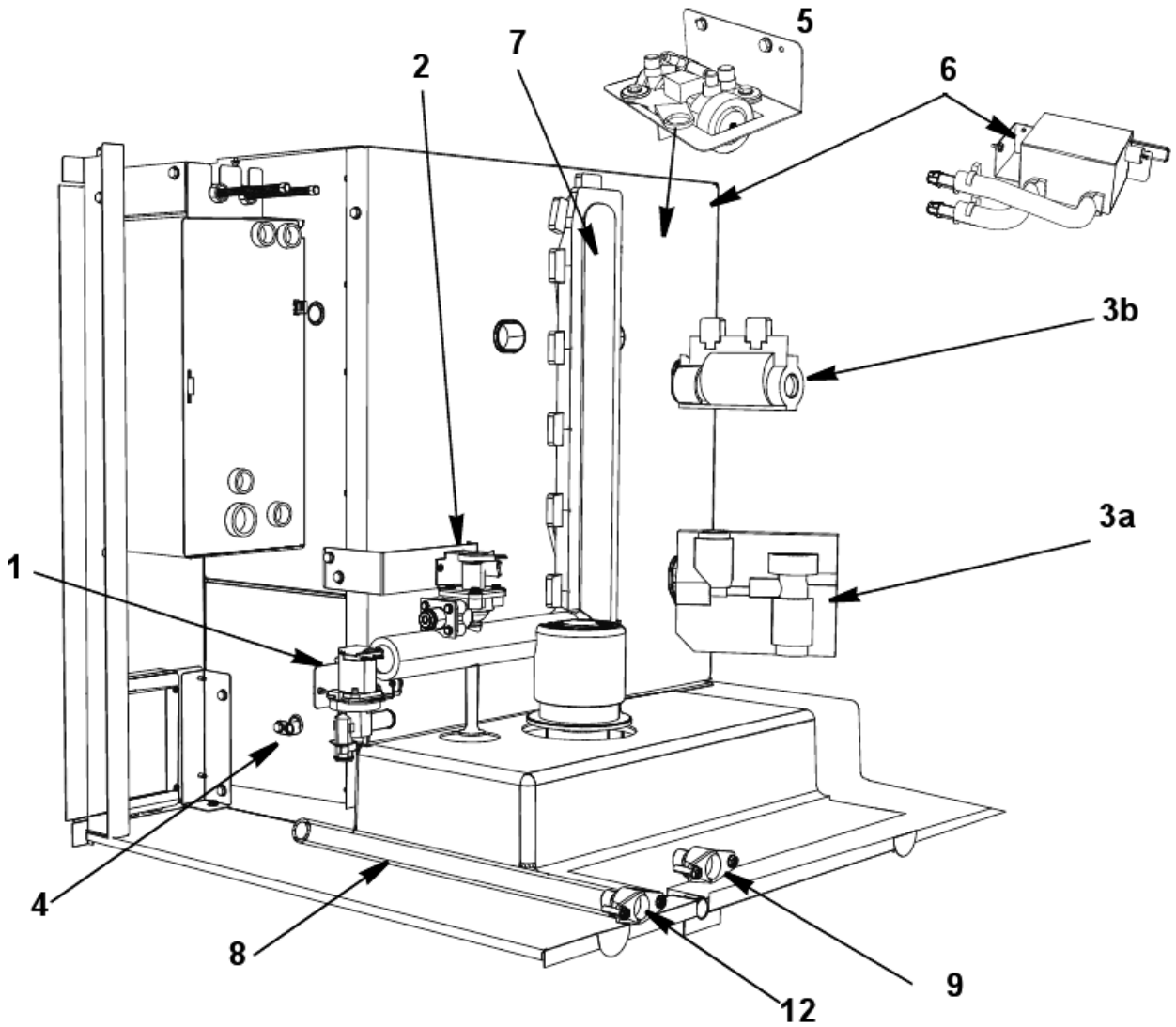
i0970C, iCVD0996 Indigo

I0976C EVAPORATOR COMPARTMENT - COMMON COMPONENTS

PART NOTES:

- [5] - Water Distribution Tube Mounting

I0976C REFRIGERATION COMPARTMENT - COMMON COMPARTMENTS VIEW 1



i0970C, iCVD0996 Indigo

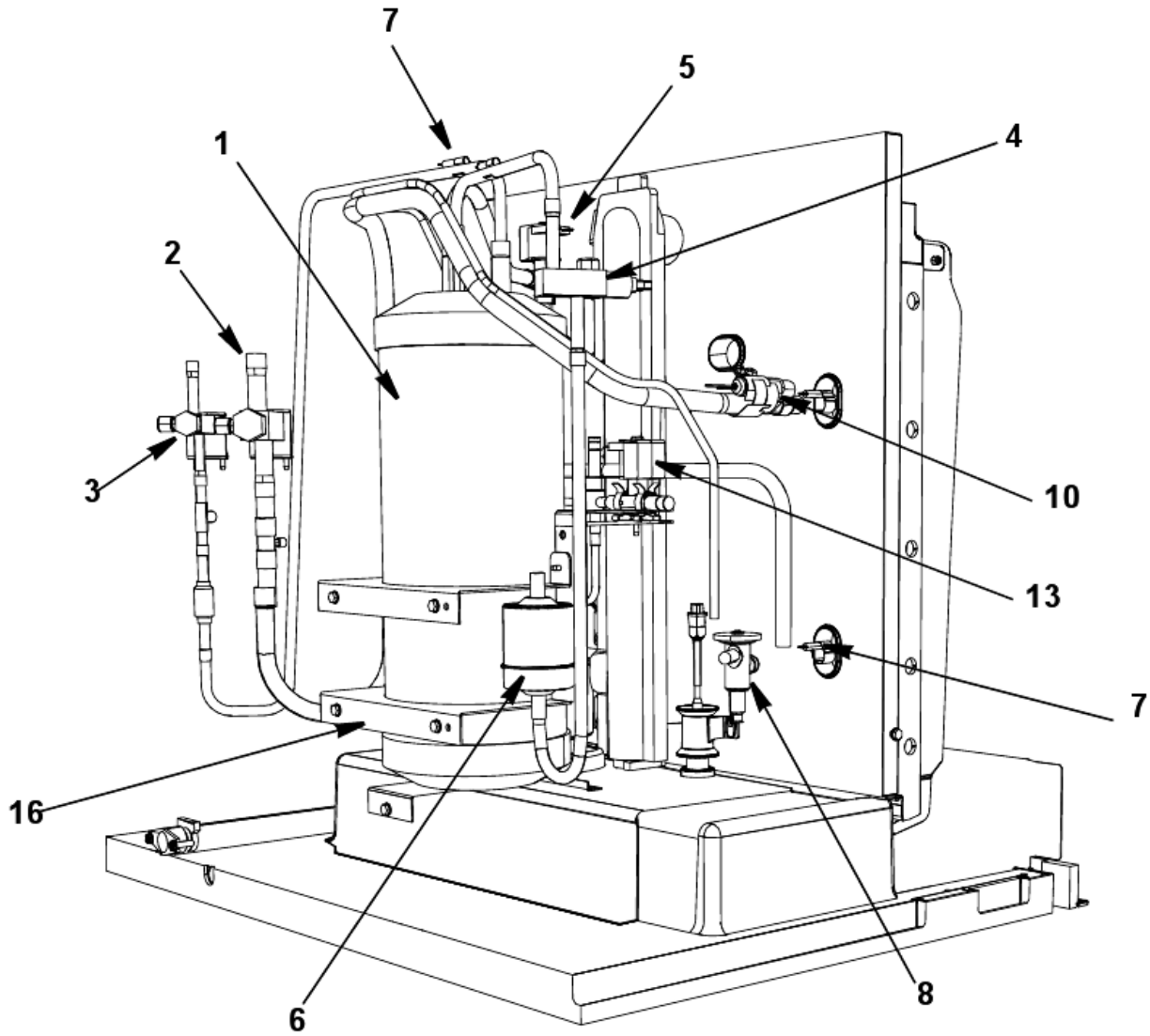
I0976C REFRIGERATION COMPARTMENT - COMMON COMPARTMENTS VIEW 1

#	PART #	DESCRIPTION	QTY	Note
1	000001767	Water Dump Valve - 115V/60 Hz		[1]
1a	000001768	Water Dump Valve - 208-230V/50-60 Hz		
1b	6058459	Water Dump Valve Mounting Bracket		
1c	4420383	Clear Tubing - 0.625" ID		
1d		Dump Valve Tubing 3.25 inches		
2		Water Inlet Valve with Bracket		
2a	000009123	Water Inlet Valve - 115V/60 Hz/1 Ph		
2b	000009122	Water Inlet Valve - 208-230V/50-60 Hz		
2c	000011866	Expansion Valve		
3	4013299	Valve Insulation Boot - Body		
3a	000002719	Valve Insulation Boot - Bulb		
4	000007888	Magnetic Bin Switch		
4a	000007410	Bin Switch Wiring Harness		
5	000007222	Air Assist - 115V/60 Hz		
5a	000007223	Air Assist - 230V/50-60 Hz		
5b	4011739	Air Manifold		
5c	000006489	Air Assist Bracket		[2]
5d	3001453	Air Assist - Nozzle		
5e	K00424	LuminIce		
6	K00425	LuminIce Bulb		
6a	000007409	LuminIce Wiring Harness		
6b	000007990	Bulkhead Fitting 2.25"		
6c	000008269	Bulkhead Fitting 2.75"		
6d	000003406	Insulated Tube		
7	5650609	Snap Clamp - 1.0" ID		[3]
7a	5650709	Snap Clamp - 0.799"/0.899" ID		
7b	000001382	Vinyl Tubing 0.625" ID		
8	6038831	Insulation 0.88 ID X 0.25W X 13.50L		[4]
8a	5650709	Snap Clamp - 0.799"/0.899" ID		
9	8706093	Female Wing Adapter - 0.375"		
9a	1360961	Male Connector		
10	4010439	Tubing - Water Inlet Valve		[5]
11	1360989	Connector - Water Inlet Valve		
12	8706133	Female Wing Adapter - 0.50"		
13	5202069	Screw - #10-24 x 0.50" HEX		

PART NOTES:

- [1] - with bracket
- [2] - (Air Pump Tubing Outlet)
- [3] - (vinyl tubing from distribution tube to water pump & dump valve)
- [4] - dump valve to drain adapter
- [5] - \pages from 401043_05.jpg" width=1797 height=2238>

I0976C REFRIGERATION COMPARTMENT - COMMON COMPONENTS VIEW 2



i0970C, iCVD0996 Indigo

I0976C REFRIGERATION COMPARTMENT - COMMON COMPONENTS VIEW 2

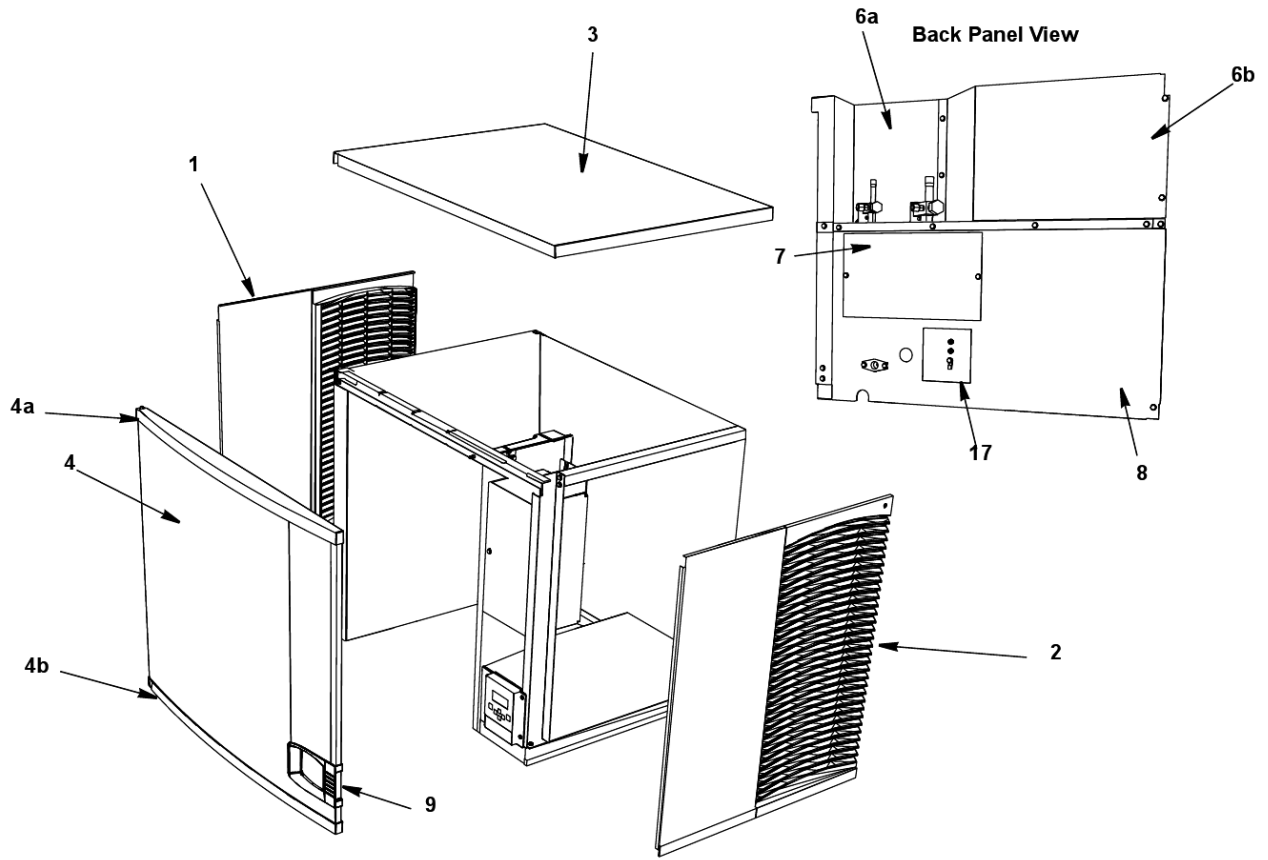
#	PART #	DESCRIPTION	QTY	Note
1	7629593	Receiver		
2	8373303	Manual Shut-off Valve - 0.625"		
2a	8373023	Valve Cap		
3	8373293	Manual Shut-off Valve - 0.375"		
3a	8373023	Valve Cap		
4	8373169	Receiver Service Valve		
4a	5650753	Caps for Refrigeration Service Valve		
5		Liquid Line Solenoid Valve		
5a	000007033	Solenoid Valve Including - 115V/60 Hz Electrical Coil		
5b	000005156	Danfoss Solenoid Valve Coil Only - 115V/60 Hz		[1]
5c	000007032	Solenoid Valve Including - 208-230V/50-60 Hz Electrical Coil		
5d	000005157	Danfoss Solenoid Valve Coil Only - 230V/50-60 Hz		[2]
6	8930279	Drier		
7	000008310	Thermistor with Spring Clips		
8	000011866	Expansion Valve		
9	5650529	Clamp - Expansion Valve Bulb		
10	3000813	Copper Bulb Strap		
11	8373149	Magni-Check Valve - 0.375"		
12		Reducing Coupling		
13		Harvest Valve		
13a	000007017	Solenoid Valve Including 208-230V/50-60 Hz Electrical Coil		
13b	000005156	Danfoss Solenoid Valve Coil Only - 115V/60 Hz		[1]
13c	000007018	Solenoid Valve Including 115V/60 Hz Electrical Coil		
13d	000005157	Danfoss Solenoid Valve Coil Only - 230V/50-60 Hz		[2]
14	5650619	Screw Mounting Base		
15	6049331	Bracket - Valve		
16		Receiver Mounting		
16a	6000561	Receiver Mounting Bracket		[3]
16b	6307214	Receiver Mounting Strap		
16c	000006731	Receiver Mounting Support Bracket		
16d	6058659	Base, Water Condenser/Receiver		
16e	5202069	Screw - #10-24 x 0.50" HEX		

PART NOTES:

- [1] - \pages from 000005156_02.jpg" width=280 height=256>
- [2] - \pages from 000005156_02.jpg" width=266 height=183>
- [3] - between receiver and panel

i0970C, iCVD0996 Indigo

I0976C HEAD SECTION - PANELS



I0970C, iCVD0996 Indigo

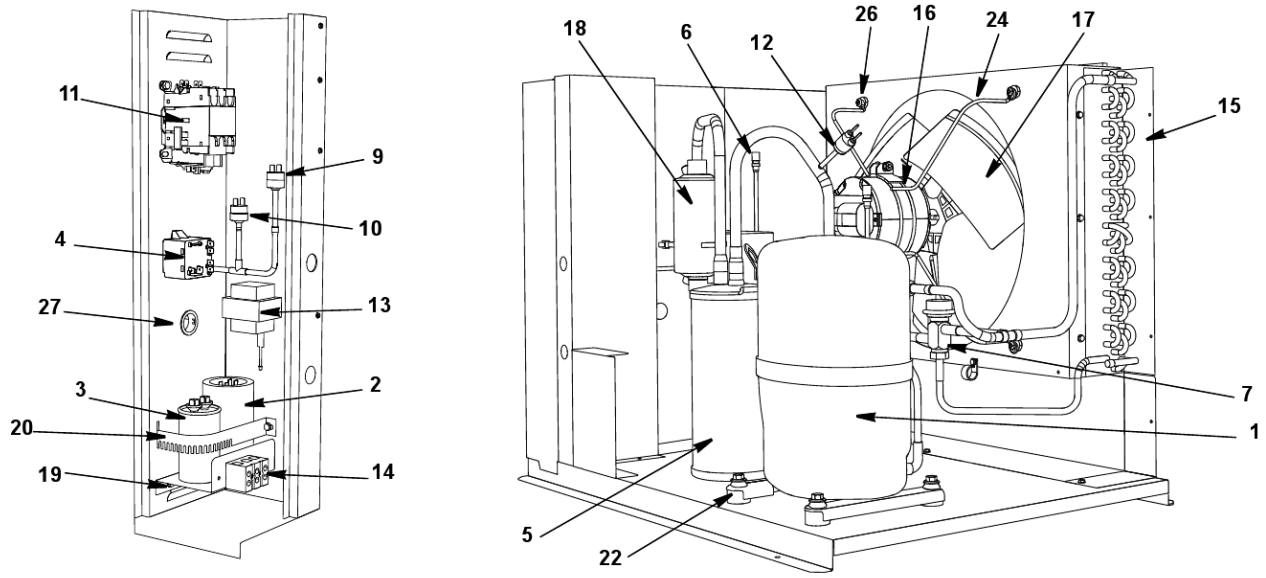
I0976C HEAD SECTION - PANELS

#	PART #	DESCRIPTION	QTY	Note
1	000005224	Left Side Panel		
2	000005222	Right Side Panel		
3	000006699	Top Cover		
4	000006578	Front Panel Assembly		
4a	000006538	Top Endcap		
4b	000006539	Bottom Endcap		
5	000010051	Front Top Support		
5a	5005379	Mounting Screw - #8-32 x 1.0" PHIL		
5b	5005099	Screw - #10-16 x 0.625"		
6		Top Back Panels		
6a	6062759	Top Back Panel - Left Side		
6b	6058679	Top Back Panel - Right Side		
7	6059689	Bottom Back Panel		
8	6062809	Coupling Panel		
9		Front Panel LCD Frame		
9a	000006647	LCD Frame with Key Guard		
9b	000006564	LCD Frame without Key Guard		
9c	K00433	Display Cover		[1]
10	5004899	Front Door Screw		
11	7602263	Bottom Door Frame		
11a	5005379	Mounting Screw - #8-32 x 1.0" PHIL		
11b	5202099	Screw - #10-24 x 0.50" PHIL		
12	3005579	Left Door Pivot Leaf Hinge		[2]
12a	5005379	Mounting Screw - #8-32 x 1.0" PHIL		
13	000010300	Left Corner Post		
14	6068649	Left Top Channel		
15	000010683	Right Corner Post		
16	6062579	Right Top Channel		
17		Electrical Box on Rear of Ice Machine		
17a	6067289	Rear Connection Box		
17b	6067299	Cover - Rear Connection Box		
17c	2006143	Terminal Block - 50 Hz - 3 Pole		
17d	5202169	Screw - #10-24 x 0.50" Ground		
18	7112359	Cartoning		

PART NOTES:

- [1] - hides the display completely
- [2] - Top or Bottom

ICVD0996 CONDENSING UNIT - REFRIGERATION COMPARTMENT



i0970C, iCVD0996 Indigo

ICVD0996 CONDENSING UNIT - REFRIGERATION COMPARTMENT

#	PART #	DESCRIPTION	QTY	Note
1		Compressor		
1a	000011853	Compressor - Bristol - 230V/60 Hz/1 Ph		
1b	000011855	Compressor - Bristol - 230V/60 Hz/3 Ph		
1c	000011854	Compressor - Bristol - 230V/50 Hz/1 Ph		
1d	000003447	Molded Plug		
2		Start Capacitor		
2a	000006454	Start Capacitor - 50-60 Hz/1 Ph		
3		Run Capacitor - See Note for Usage		
3a	8503933	Run Capacitor - 115-230V/50-60 Hz/1 Ph		[1]
3b	2010133	Run Capacitor - 50 Hz		[2]
4		Start Potential Relay		
4a	000010307	Start Potential Relay - 60 Hz/1 Ph		
4b	000010784	Start Potential Relay - 50 Hz/1 Ph		
5	000007281	Suction Accumulator		
6	8373253	Access Valve		
7	000001982	Head Pressure Control Valve		
8	8373159	Magni-Check Valve - 0.5"		
9	2001263	Fan Cycling Control - 200-250 psig		[3]
10	2001243	HPCO		
11		Contactator		
11a	000007597	Contactator - 50-60 Hz/1 Ph - 24 Volt Coil		
11b	000007598	Contactator - 60 Hz/3 Ph - 24 Volt Coil		
12	2002229	Low Pressure Cut-out		
13	000007581	Transformer		
14		Terminal Block		
14a	2006143	Terminal Block - 50 Hz - 3 Pole		
15	8851453	Air-cooled Condenser		
16		Fan Motor		
16a	000003031	Fan Motor - 208-230V/60 Hz/1-3 Ph		
16b	000003032	Fan Motor - 208-230V/50 Hz/1 Ph		
17	2416303	Fan Blade		
18	8250539	Suction Line Filter		
18a	000006484	Suction Line Filter Bracket		
19	6034981	Capacitor Mounting Bracket		
20	6021601	Capacitor Mounting Strap		
21		Wiring Harness		
21a	000007741	Wiring Harness - 230V/60 Hz/1 Ph		
21b	000007740	Wiring Harness - 230V/50 Hz/1 Ph		
21c	000007747	Wiring Harness - 230V/60 Hz/3 Ph		
22		Compressor Mounting		
22a	8503069	Mounting - Rubber Grommet		
22b	8503949	Mounting - Sleeve		
22c	5004819	Compressor Mounting - Bolt		
22d	5004829	Compressor Mounting - Nut		
23	6037041	Fan Shroud		
24	3006823	Fan Motor Mounting Bracket		

i0970C, iCVD0996 Indigo

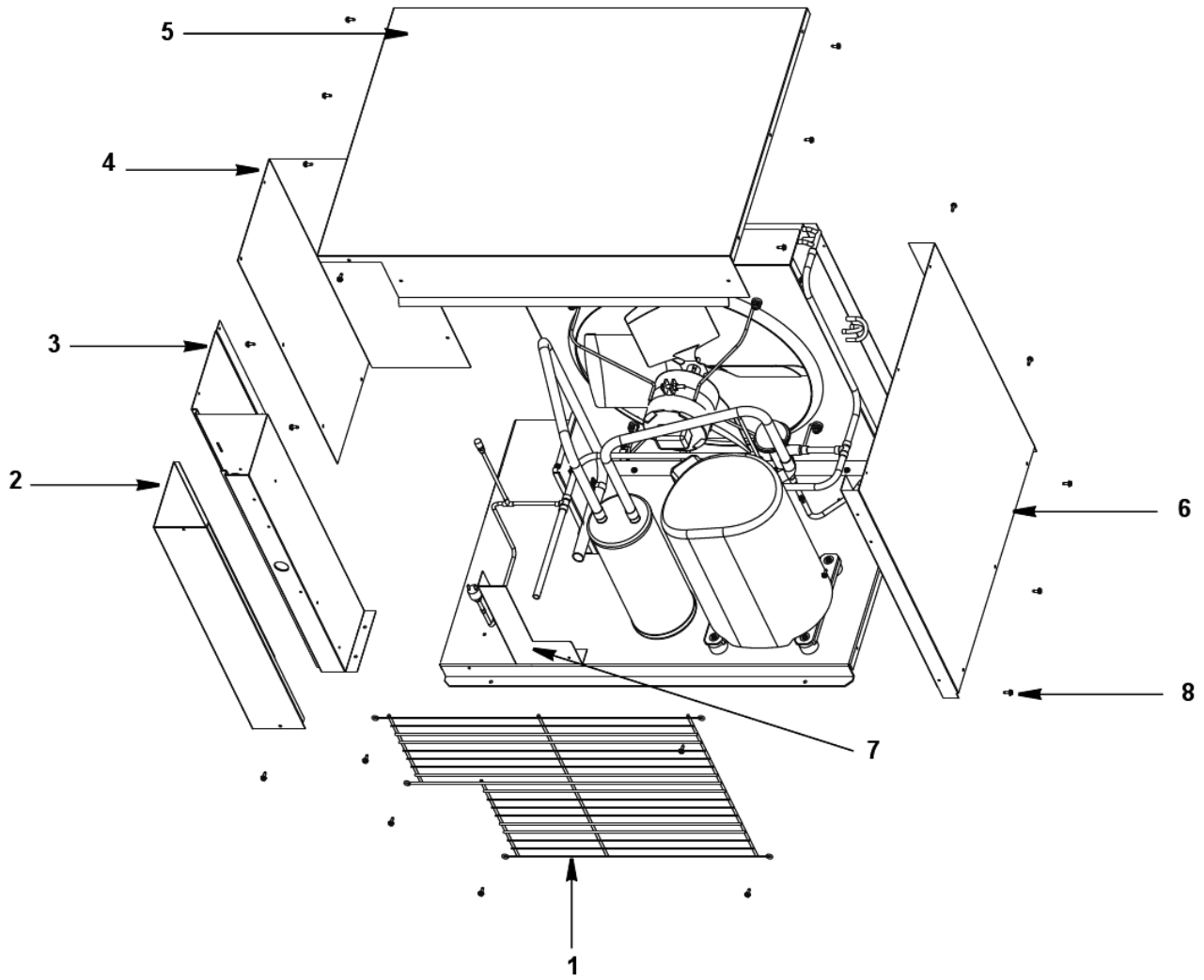
ICVD0996 CONDENSING UNIT - REFRIGERATION COMPARTMENT

#	PART #	DESCRIPTION	QTY	Note
25	5033589	Mounting - Screw		
25a	5545119	Mounting - Lockwasher		
25b	5429529	Mounting - Hexnut		
26	5033589	Mounting - Screw		
26a	5545119	Mounting - Lockwasher		
26b	5573059	Mounting - Flatwasher		
26c	5429559	Mounting - Rubber Wellnut		
27	2500019	Bushing - 1.187"		

PART NOTES:

- [1] - 60 Hz/1 Ph
- [2] - 50 Hz/1 Ph
- [3] - \pages from 200126_09.jpg" width=150 height=306>

ICVD0996 CONDENSING UNIT - PANELS



i0970C, iCVD0996 Indigo

ICVD0996 CONDENSING UNIT - PANELS

#	PART #	DESCRIPTION	QTY	Note
1	3406893	Condenser Fan Guard		
2	6040171	Control Box Cover		
3	000006035	Control Box Panel		
4	6037051	Left Side Panel		
5	6034751	Cover Top		
6	6034701	Right Side Panel		
7	6042261	Condensing Unit Tube Shield		
8	5202069	Screw - #10-24 x 0.50" HEX		
9	5202069	Screw - #10-24 x 0.50" HEX		[1]
10	000000768	Cartoning		

PART NOTES:

[1] - Used for Panel Attachment