



***Manitowoc***  
Foodservice  
**Parts Manual**

For more Parts Information:  
<https://manitowocfsg.sysonline.com/Default.aspx>

# TABLE OF CONTENTS

Manitowoc Foodservice [Updated: Sep. 30, 2013]

Manitowoc - Ice & Related

Parts Catalog

Ice Machine

Indigo Series

Indigo Model - Marine

i1400M Indigo

i1400M Control Box ..... 1

i1400M Evaporator Compartment - Common Components ..... 3

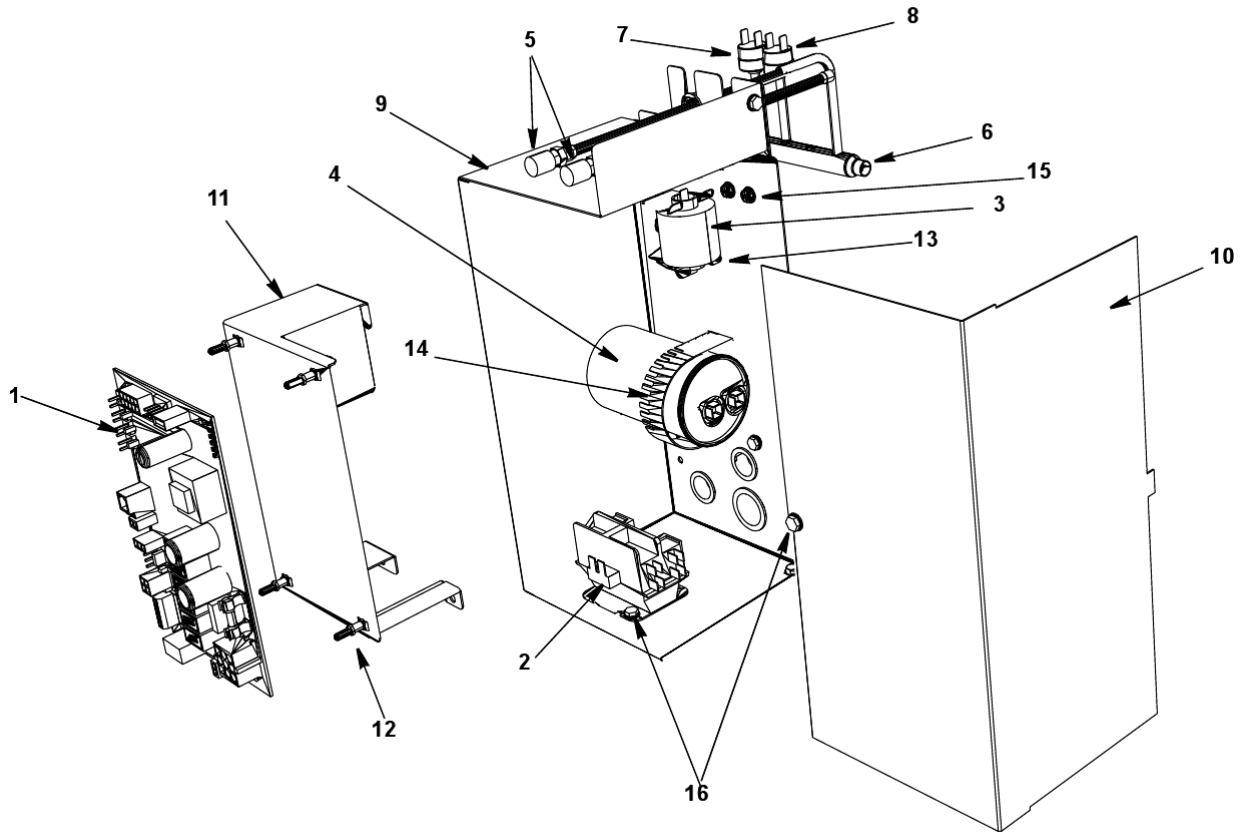
i1400M Refrigeration Compartment - Common Parts ..... 5

i1400M Refrigeration Compartment – Water-cooled ..... 8

i1400M Panels ..... 10

# i1400M Indigo

## I1400M CONTROL BOX



# i1400M Indigo

## I1400M CONTROL BOX

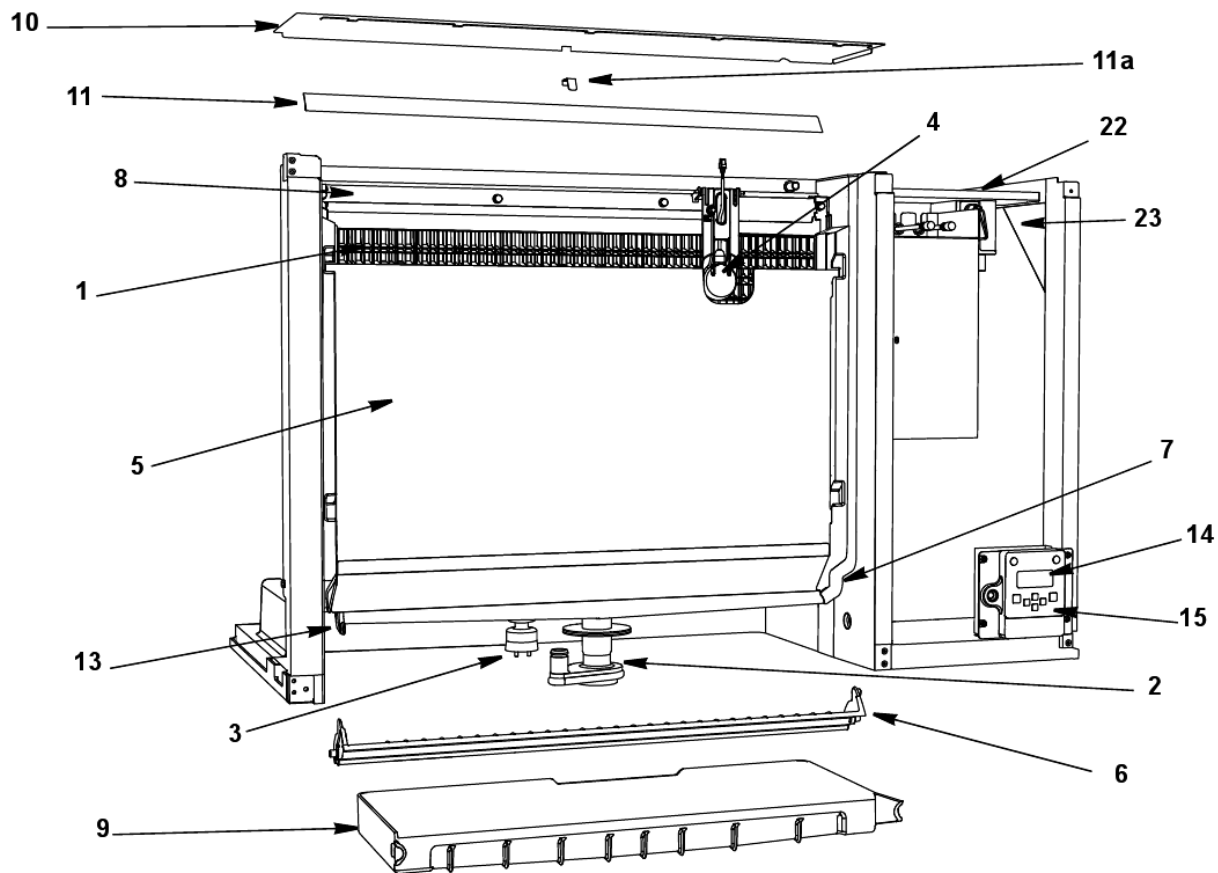
#	PART #	DESCRIPTION	QTY	Note
1	000008309	Control Board		
1a	000009181	8 amp Ceramic Fuse - Mounted on Control Board		
2		Contactora		
2a	2009089	Contactora - 208-230V/50-60 Hz/1 Ph		
2b	2006619	Contactora - 230V/60 Hz/3 Ph		
2c	2009089	Contactora - 208-230V/50-60 Hz/1 Ph		
3	8504913	PTCR		
4		Compressor Run Capacitor		
4a	000000028	Run Capacitor - 208-230V/50-60 Hz/1 Ph		
4b	000005488	Run Capacitor - 115-230V/50-60 Hz/1 Ph		
5	8373253	Access Valve		
5	8373263	Refrigeration Service Valve Assembly		
6	8253579	Manifold Strainer		
7	2001243	High Pressure Cut-out Control		
8	2001273	Fan Cycling Control - 225-275 psig		[1]
9	000008280	Control Box		
10	000010053	Control Box Cover		
11	000007564	Control Board Mounting Bracket		
12	4302253	Control Board Mounting Supports		
13	8504953	PTCR Bracket		
14	000008233	Capacitor Mounting Bracket		
15	5202169	Screw - #10-24 x 0.50" Ground		
15a	5573209	Star Washer		
16	5202069	Screw - #10-24 x 0.50" HEX		
17	5573209	Star Washer		
18		Control Box Bushings		
18a	2500019	Bushing - 1.187"		
18b	2501409	Bushing - 0.875"		
19		Control Box Wiring Harness		
19a	000007752	Control Box Wiring Harness - 230V/60 Hz/1 Ph		
19b	2008979	Control Box Wiring Harness - 230V/60 Hz/3 Ph		
19c	000007753	Control Box Wiring Harness - 230V/50 Hz/1 Ph		
19d	000008020	Control Box Wiring Harness - 460V/60 Hz/3 Ph		
20		Compressor Compartment Wiring Harness		
20a	000008257	Compressor Compartment Wiring Harness Air-cooled		
20b	000008258	Compressor Compartment Wiring Harness Water-cooled		
20c	000008259	Compressor Compartment Wiring Harness Remote Air-cooled		
21		Electrical Noise Filter Wiring Harness		
21a	000005500	Electrical Noise Filter Wiring Harness		
22	2001143	Ground Wire Lead		

**PART NOTES:**

[1] - \pages from 200126\_09.jpg" width=170 height=228>

# i1400M Indigo

## I1400M EVAPORATOR COMPARTMENT - COMMON COMPONENTS



# i1400M Indigo

## I1400M EVAPORATOR COMPARTMENT - COMMON COMPONENTS

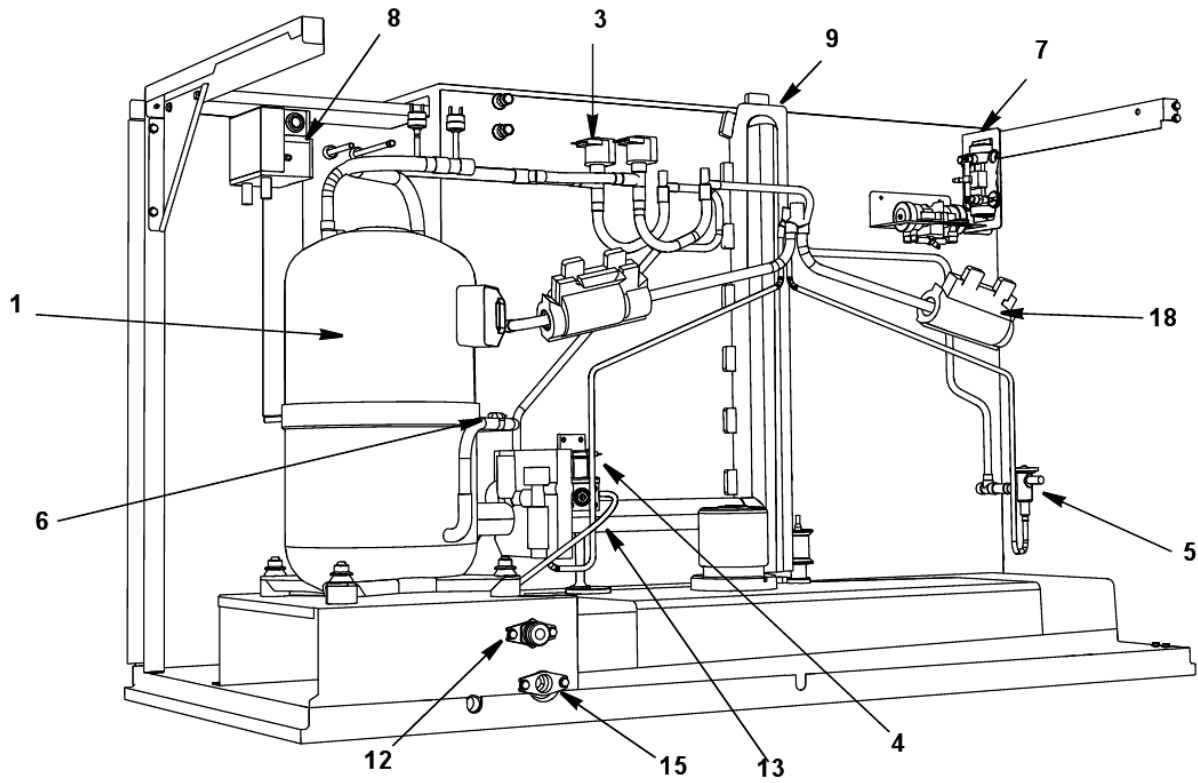
#	PART #	DESCRIPTION	QTY	Note
1		Evaporator Assembly		
1a	000010423	Evaporator - Dice Cube		
1b	000010424	Evaporator - Half Dice Cube		
2		Water Pump		
2a	8252109	Water Pump - 230V/50-60 Hz		
2b	2007389	Water Pump - 230V/50 Hz		
3	000007052	Water Level Probe		
3a	000007724	Wire - Control Box to Water Level Probe		[1]
3b	000007053	Water Level Probe - Holder		
3c	5202099	Screw - #10-24 x 0.50" PHIL		[2]
4	000008660	Ice Thickness Control Probe		
5	000010428	Splash Shield Assembly		
6	000008110	Ice Damper Assembly		
7	000007888	Magnetic Bin Switch		
7a	000007410	Bin Switch Wiring Harness		
8	7603193	Water Distribution Tube - 48" Models		
8a	5004649	O-Rings		[3]
9	000009112	Water Trough		
10	000008253	Foodzone Seal Panel		
11	000008805	Evaporator Top Filler Panel		
11a	000008847	Stainless Steel Clamp		
11b	5202099	Screw - #10-24 x 0.50" PHIL		
12	000010430	Evaporator Top Frame Assembly		
13	000010431	Evaporator Bottom Frame Assembly		
14	000006728	LCD Display		
15	000007926	Touch Pad with Housing		
16	000007737	LCD Wiring Harness - 30" Long		[1]
17	000008774	Touch Pad/Housing Mounting Bracket		
18	5004799	Thumbscrew SS - #8-32 x 0.375"		[4]
18a	5004629	O-Ring - 0.125" ID		
19	5004619	Screw - #12-16 x 0.687"		[5]
20	5004659	Water Pump Base O-Ring - 4.00" ID		
21	5004679	Water Pump Outlet O-Ring - 0.875" ID		
22	000008711	Support Bracket		
23	000008713	Angled Support Bracket		

### PART NOTES:

- [1] - Not shown
- [2] - Mount Water Level Probe Holder
- [3] - Back of Distribution Assembly
- [4] - Water Distribution Tube Mounting
- [5] - Each

# i1400M Indigo

## I1400M REFRIGERATION COMPARTMENT - COMMON PARTS



# i1400M Indigo

## I1400M REFRIGERATION COMPARTMENT - COMMON PARTS

#	PART #	DESCRIPTION	QTY	Note
1		Compressor		
1a	000008441	Compressor - Bristol - 208-230V/60 Hz/1 Ph		
1b	000008442	Compressor - Bristol - 208-230V/60 Hz/3 Ph		
1c	000008443	Compressor - Bristol - 230V/50 Hz/1 Ph		
1d	000008444	Compressor - Bristol - 460V/60 Hz/3 Ph		
1e	000005176	Compressor Molded Plug Wiring Harness		
2		Water Dump Valve		[1]
2a	000001768	Water Dump Valve - 208-230V/50-60 Hz		
2b	6058459	Water Dump Valve Mounting Bracket		
2c	4420383	Clear Tubing - 0.625" ID		
3		Harvest Valve		
3a	000007017	Solenoid Valve Including 208-230V/50-60 Hz Electrical Coil		
3b	000005157	Danfoss Solenoid Valve Coil Only - 230V/50-60 Hz		[2]
4		Water Inlet Valve		
4a	000007966	Water Inlet Valve - 208-230V/50-60 Hz		
4b	000008775	Water Inlet Valve Bracket		
5	7603243	Expansion Valve		
5a	4013299	Valve Insulation Boot - Body		
5b	000002719	Valve Insulation Boot - Bulb		
6	000008310	Thermistor with Spring Clips		
7		Air Assist		
7a	000007223	Air Assist - 230V/50-60 Hz		
7b	4011739	Air Manifold		[3]
7c	6070243	Bracket		
7d	3001453	Air Assist Nozzle		
8	K00434	LuminIce		
8a	K00425	LuminIce Bulb		
8b	000007409	LuminIce Wiring Harness		
8c	000007990	Bulkhead Fitting 2.25"		
8d	000008269	Bulkhead Fitting 2.75"		
9	000003407	Insulated Tube		[4]
9a	5650609	Snap Clamp - 1.0" ID		
9b	5650709	Snap Clamp - 0.799"/0.899" ID		
10	000001382	Vinyl Tubing 0.625" ID		[5]
10a	6038831	Insulation 0.88 ID X 0.25W X 13.50L		
10b	5650709	Snap Clamp - 0.799"/0.899" ID		
11	000009316	Heat Exchanger		
12	8706093	Female Wing Adapter - 0.375"		
12a	1360961	Male Connector		
13	4010439	Tubing - Water Inlet Valve		[6]
14	1360989	Connector - Water Inlet Valve		
15	8706133	Female Wing Adapter - 0.50"		



# i1400M Indigo

## I1400M REFRIGERATION COMPARTMENT - COMMON PARTS

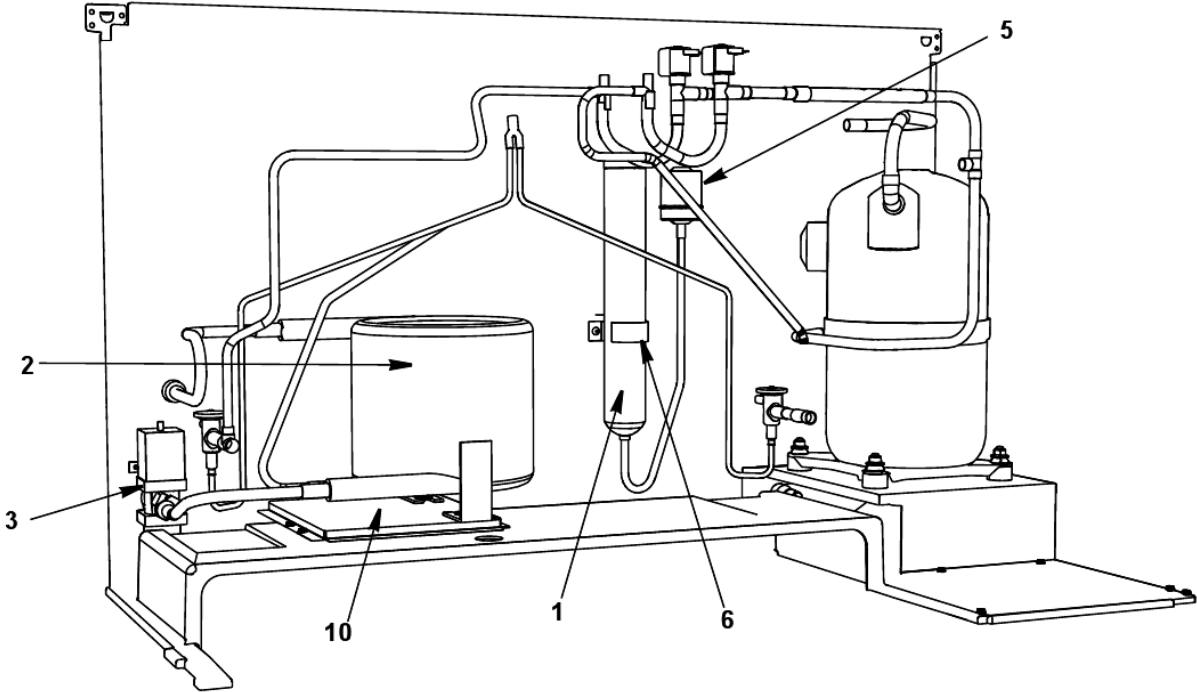
#	PART #	DESCRIPTION	QTY	Note
16		Compressor Mounting		
16a	6065909	Compressor Mounting Base		
16b	8503069	Mounting - Rubber Grommet		
16c	8503949	Mounting - Sleeve		
16d	5004819	Compressor Mounting - Bolt		
16e	5004829	Compressor Mounting - Nut		
17	5650529	Clamp - Expansion Valve Bulb		
18	3000503	Strap - Expansion Valve Bulb - 0.5"		
19	5202069	Screw - #10-24 x 0.50" HEX		

### PART NOTES:

- [1] - with bracket
- [2] - \pages from 000005156\_02.jpg" width=266 height=183>
- [3] - Air Pump Tubing Outlet
- [4] - vinyl tubing from distribution tube to water pump & dump valve
- [5] - dump valve to drain adapter
- [6] - \pages from 401043\_05.jpg" width=1797 height=2238>

# i1400M Indigo

## I1400M REFRIGERATION COMPARTMENT – WATER-COOLED



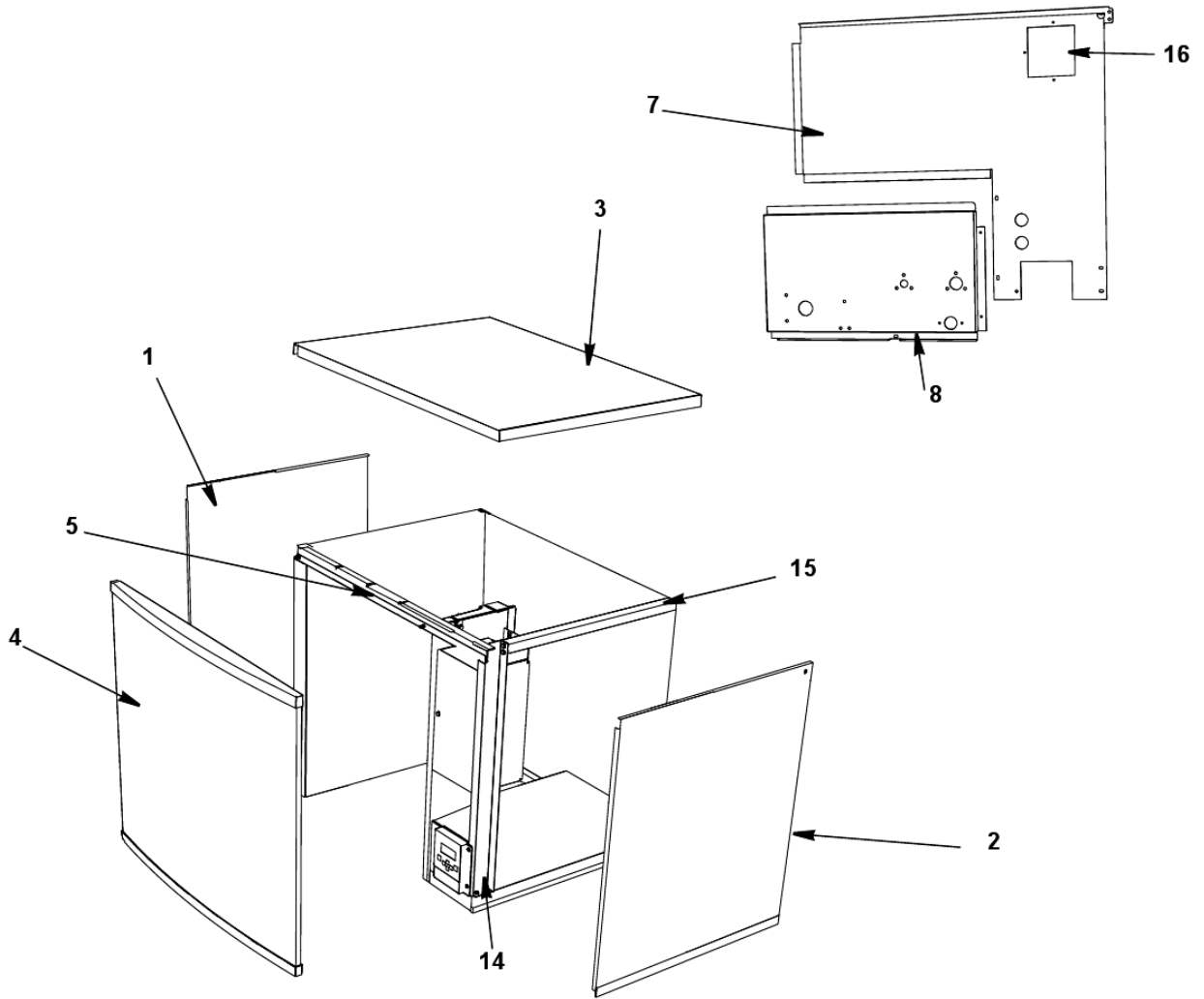
# i1400M Indigo

## I1400M REFRIGERATION COMPARTMENT – WATER-COOLED

#	PART #	DESCRIPTION	QTY	Note
1	000008894	Receiver		
2	000001508	Water-Cooled Condenser		
3	8372127	Water Regulating Valve		
4	8706083	Female Wing Adapter - 0.50"		
5	8930279	Drier		
6	6000543	Receiver Strap		
7	5002249	Elbow 1/2 MF x 3/8 MPT		
8	5202069	Screw - #10-24 x 0.50" HEX		
9	5573419	Washer		
10	6066849	Base		

# i1400M Indigo

## I1400M PANELS



# i1400M Indigo

## I1400M PANELS

#	PART #	DESCRIPTION	QTY	Note
1	6068661	Left Side Panel - Non-Louvered		
2	6068731	Right Side Panel - Non-Louvered		
3	6071481	Top Cover		
a.	6064049	Top Cover Bracket		
4	000008779	Front Panel Assembly		
5	6071471	Front Top Support		
5a	000009113	Cover		
5b	5005379	Mounting Screw - #8-32 x 1" PHIL		
5c	5005099	Mounting Screw - #10-16 x 0.625" PHIL		
6	6065909	Compressor Mounting Base		
7	6069709	Back Panel - Water-cooled / Remote Air-cooled		
8	6066829	Back Panel - Coupling Panel		
9	8706083	Female Wing Adapter - 0.50"		
10	5004899	Front Door Screw		
11	6071461	Bottom Door Frame		
11a	5005379	Mounting Screw - #8-32 x 1" PHIL		
11b	5202099	Screw - #10-24 x 0.50" PHIL		
12	6068659	Left Corner Post		
13	6068649	Left Top Channel		
14	000008753	Right Corner Post - SS		
15	000008716	Right Top Channel		
16		Electrical Box on Rear of Ice Machine		
16a	6067289	Rear Connection Box		
16b	6067299	Rear Connection Box Cover		
16c	2006143	Terminal Block - 50 Hz - 3 Pole		
16d	5202169	Screw - #10-24 x 0.50" Ground		
17	000000548	Cartoning		