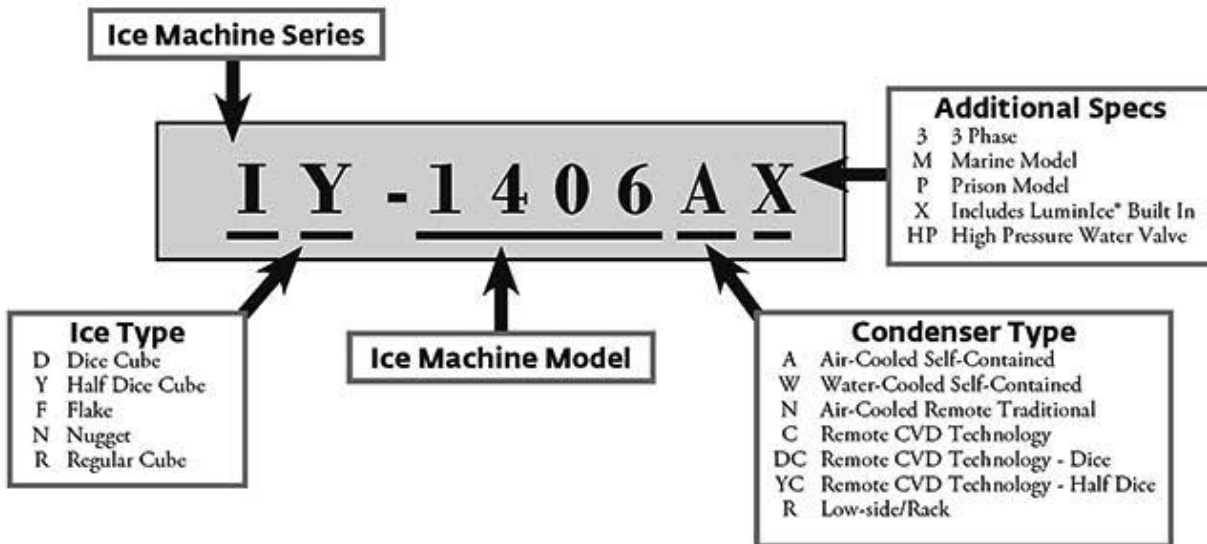


# **Manitowoc**

## Foodservice

### HOW TO READ A MODEL NUMBER



# TABLE OF CONTENTS

Manitowoc Foodservice [Updated: Apr. 23, 2015]

Manitowoc - Ice & Related

Parts Catalog

Ice Machine

Indigo Series

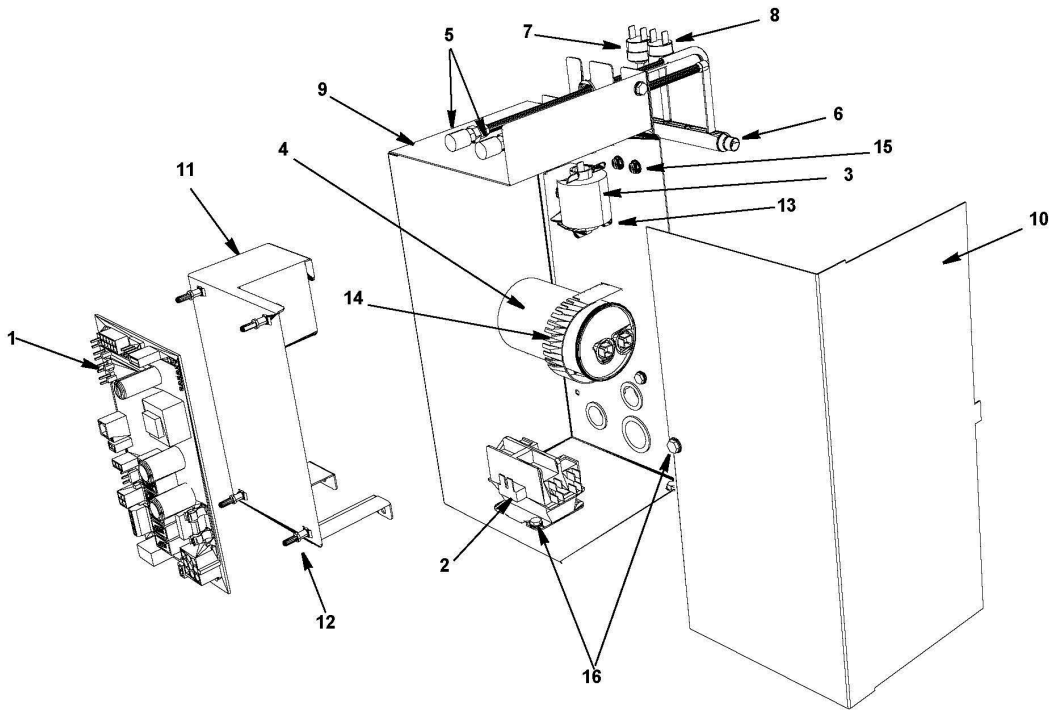
Indigo Model - Air, Water & Remote

i1406, JC1395 Indigo

i1406 Control Box .....	1
i1406 Evaporator Compartment - Common Components .....	3
i1406 Refrigeration Compartment - Common Components .....	5
i1406 Refrigeration Compartment - Air-cooled .....	7
i1406 Refrigeration Compartment - Water-cooled .....	9
i1406 Refrigeration Compartment - Remote .....	11
i1406 Panels .....	13
JC1395 Remote Condenser .....	15

# i1406, JC1395 Indigo

## I1406 CONTROL BOX



# i1406, JC1395 Indigo

## I1406 CONTROL BOX

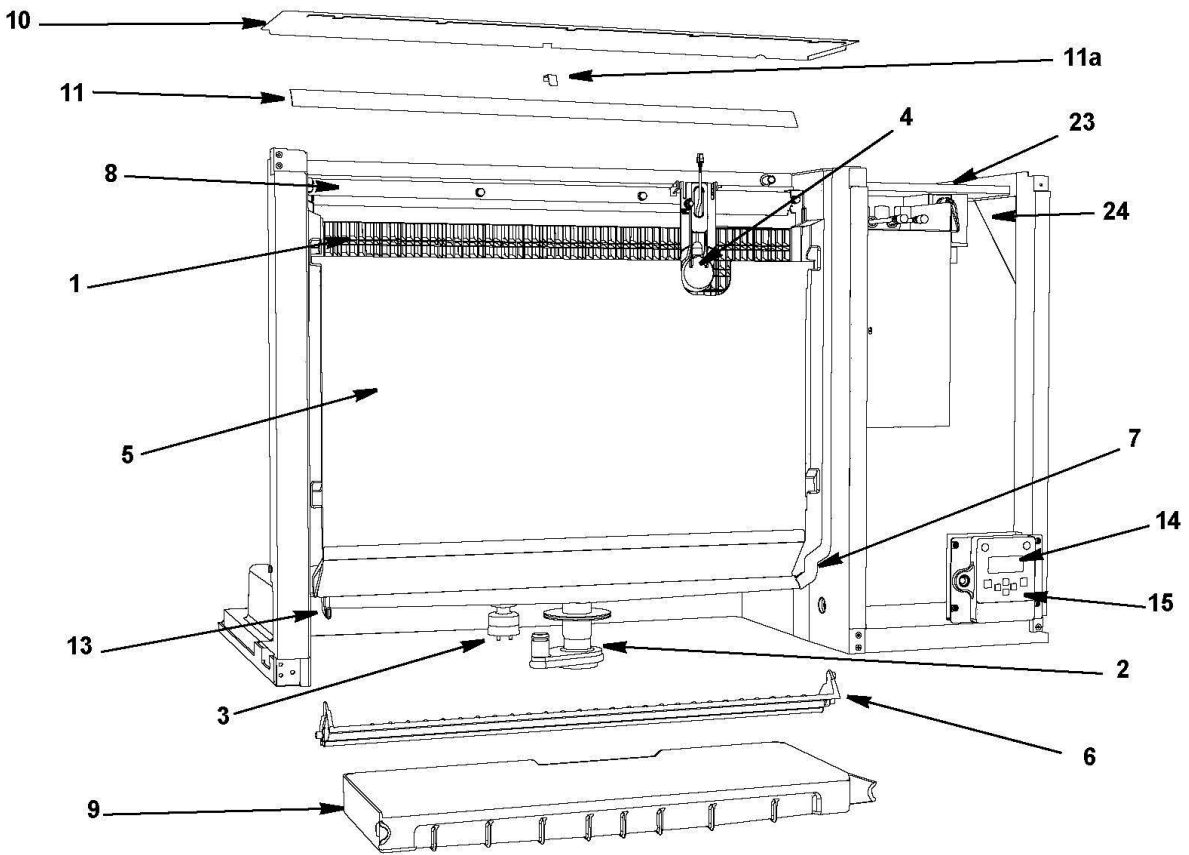
#	PART #	DESCRIPTION	QTY	Note
1	000008309	Control Board		
1a	000009181	8 amp Ceramic Fuse - Mounted on Control Board		
2		Contactors		
2a	2009089	Contactors - 208-230V/50-60 Hz/1 Ph		
2b	2006619	Contactors - 230V/60 Hz/3 Ph		
3	8504993	PTCR Compressor Starter		
4		Run Capacitor		
4a	000000028	Run Capacitor - 208-230V/60 Hz/1 Ph		
4b	000005488	Run Capacitor - 115-230V/50-60 Hz/1 Ph		
5	8373263	Refrigeration Service Valve Assembly		
5	8373253	Access Valve		
6	8253579	Manifold Strainer		
7	2001243	HPCO		
8	2001273	Fan Cycling Control - 225-275 psig		[1]
9	000008279	Control Box		
10	000010422	Control Box Cover		
11	000007564	Control Board Mounting Bracket		
12	4302253	Control Board Mounting Supports		
13	8505013	PTCR Compressor Starter Mounting Bracket		
14	000011881	Capacitor Bracket		
15	5202169	Screw - #10-24 x 0.50" Ground		
15a	5573209	Star Washer		
16	5202069	Screw - #10-24 x 0.50" HEX		
17	5573209	Star Washer		
18		Control Box Bushings		
18a	2500019	Bushing - 1.187"		
18b	2501409	Bushing - 0.875"		
19		Control Box Wiring Harness		
19a	000007179	Control Box Wiring Harness - 230V/60 Hz/1 Ph		
19b	000007181	Control Box Wiring Harness - 230V/60 Hz/3 Ph		
19c	000007180	Control Box Wiring Harness - 230V/50 Hz/1 Ph		
19d	000008020	Control Box Wiring Harness - 460V/60 Hz/3 Ph		
20		Compressor Compartment Wiring Harness		
20a	000008257	Compressor Compartment Wiring Harness Air-cooled		
20b	000008258	Compressor Compartment Wiring Harness Water-cooled		
20c	000008259	Compressor Compartment Wiring Harness Remote Air-cooled		
21	000005500	Electrical Noise Filter Wiring Harness		
22	2008979	Control Box Wiring Harness - 230V/60 Hz/3 Ph		

### PART NOTES:

[1] - \pages from 200126\_09.jpg" width=170 height=228>

# i1406, JC1395 Indigo

## I1406 EVAPORATOR COMPARTMENT - COMMON COMPONENTS



# i1406, JC1395 Indigo

## I1406 EVAPORATOR COMPARTMENT - COMMON COMPONENTS

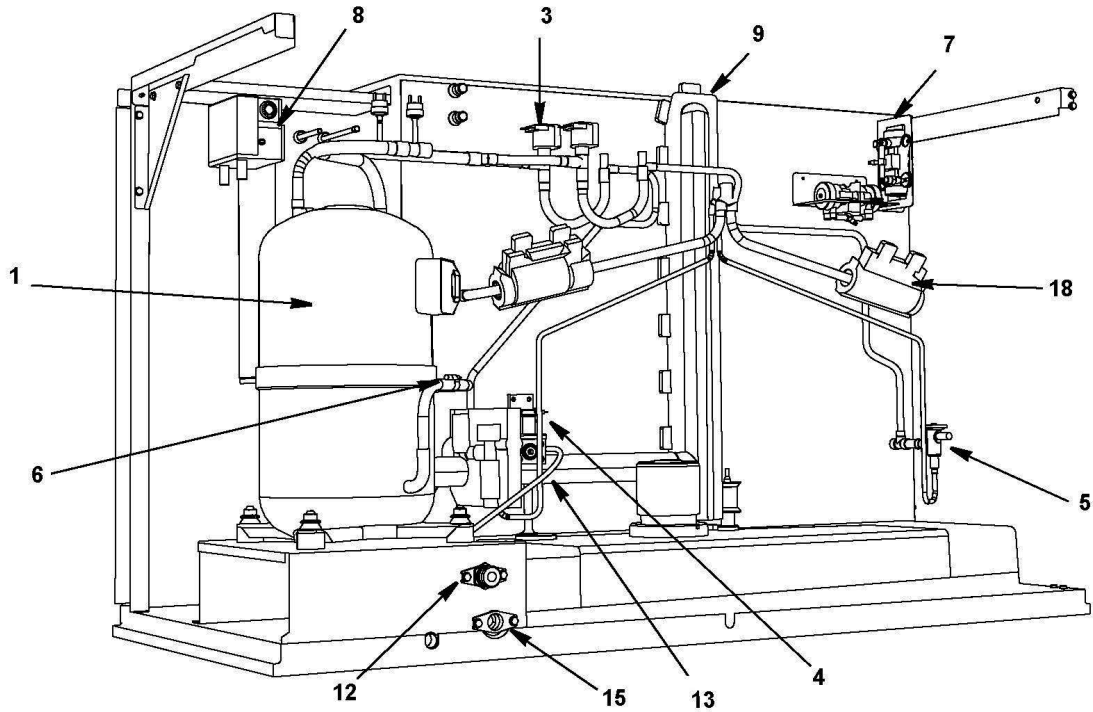
#	PART #	DESCRIPTION	QTY	Note
1		Evaporator Assembly		
1a	000011822	Evaporator - Dice Cube		
1b	000011821	Evaporator - Half Dice Cube		
2	000012661	Water Pump - 230V/50-60 Hz		
2a	000010244	Water Pump Mount		
3	000007052	Water Level Probe		
3a	000007724	Wire - Control Box to Water Level Probe		
3b	000007053	Water Level Probe - Holder		
3c	5202099	Screw - #10-24 x 0.50" PHIL		
4	000008660	Ice Thickness Control Probe		
5	000010429	Splash Shield Assembly		
6	000008110	Ice Damper Assembly		
7	000007888	Magnetic Bin Switch		
7a	000007410	Bin Switch Wiring Harness		
8	7603193	Water Distribution Tube - 48" L		
8a	5004649	O-Rings		
9	000010339	Water Trough		
10	000008253	Foodzone Seal Panel		
11	000008805	Evaporator Top Filler Panel		
11a	000008847	Stainless Steel Clamp		
11b	5202099	Screw - #10-24 x 0.50" PHIL		
12	000010430	Evaporator Top Frame Assembly		
13	000010431	Evaporator Bottom Frame Assembly		
14	000006728	LCD Display		
15	000007926	Touch Pad with Housing		
16	000007737	LCD Wiring Harness - 30" Long		
17	000008091	Touch Pad/Housing Mounting Bracket		
18		Front Panel LCD Frame		
18a	000008090	Front Panel LCD Frame With Key Guard		
18b	000008089	Front Panel LCD Frame Without Key Guard		
18c	K00433	Display Cover		[1]
19	5004799	Thumbscrew SS - #8-32 x 0.375"		
19a	5004629	O-Ring - 0.125" ID		
20	5004619	Screw - #12-16 x 0.687"		
21	5004659	Water Pump Base O-Ring - 4.00" ID		
22	5004679	Water Pump Outlet O-Ring - 0.875" ID		
23	000008710	Support Bracket		
24	000008712	Angled Support Bracket		

### PART NOTES:

[1] - hides the display completely

# i1406, JC1395 Indigo

## I1406 REFRIGERATION COMPARTMENT - COMMON COMPONENTS



# i1406, JC1395 Indigo

## I1406 REFRIGERATION COMPARTMENT - COMMON COMPONENTS

#	PART #	DESCRIPTION	QTY	Note
1		Compressor		
1a	000013288	Compressor - Bristol - 208-230V/60 Hz/1 Ph		
1b	000013290	Compressor - Bristol - 230V/50 Hz/1 Ph		
1c	000013287	Compressor - Bristol - 208-230V/60 Hz/3 Ph		
1d	000013289	Compressor - Bristol - 460V/60 Hz/3 Ph		
1e	000005176	Compressor Molded Plug Wiring Harness		
2	000001768	Water Dump Valve - 208-230V/50-60 Hz		
2a	6058459	Water Dump Valve Mounting Bracket		
2b	4420383	Clear Tubing - 0.625" ID		
3		Harvest Valve		
3a	000007017	Solenoid Valve Including 208-230V/50-60 Hz Electrical Coil		
3b	000005157	Danfoss Solenoid Valve Coil Only - 230V/50-60 Hz		[1]
4	000009121	Water Inlet Valve - 208-230V/50-60 Hz		
5	000012761	Expansion Valve		
5a	4013299	Valve Insulation Boot - Body		
5b	000002719	Valve Insulation Boot - Bulb		
6	000008310	Thermistor with Spring Clips		
7	000007223	Air Assist - 230V/50-60 Hz		
7a	4011739	Air Manifold		
7b	000006489	Air Assist Bracket		
8	K00434	LuminIce		
8a	K00425	LuminIce Bulb		
8b	000007409	LuminIce Wiring Harness		
8c	000007990	Bulkhead Fitting 2.25"		
8d	000008269	Bulkhead Fitting 2.75"		
9	000003409	Insulated Tube		
9a	5650609	Snap Clamp - 1.0" ID		
9b	5650709	Snap Clamp - 0.799"/0.899" ID		
10	000001382	Vinyl Tubing 0.625" ID		
10a	6038831	Insulation 0.88 ID X 0.25W X 13.50L		
10b	5650709	Snap Clamp - 0.799"/0.899" ID		
11	000009316	Heat Exchanger		
12	8706093	Female Wing Adapter - 0.375"		
12a	1360961	Male Connector		
13	4010439	Tubing - Water Inlet Valve		[2]
14				
15	8706133	Female Wing Adapter - 0.50"		
16	000012068	Compressor Mounting Base		
17	5650529	Clamp - Expansion Valve Bulb		
18	3000503	Strap - Expansion Valve Bulb - 0.5"		
19	5202069	Screw - #10-24 x 0.50" HEX		

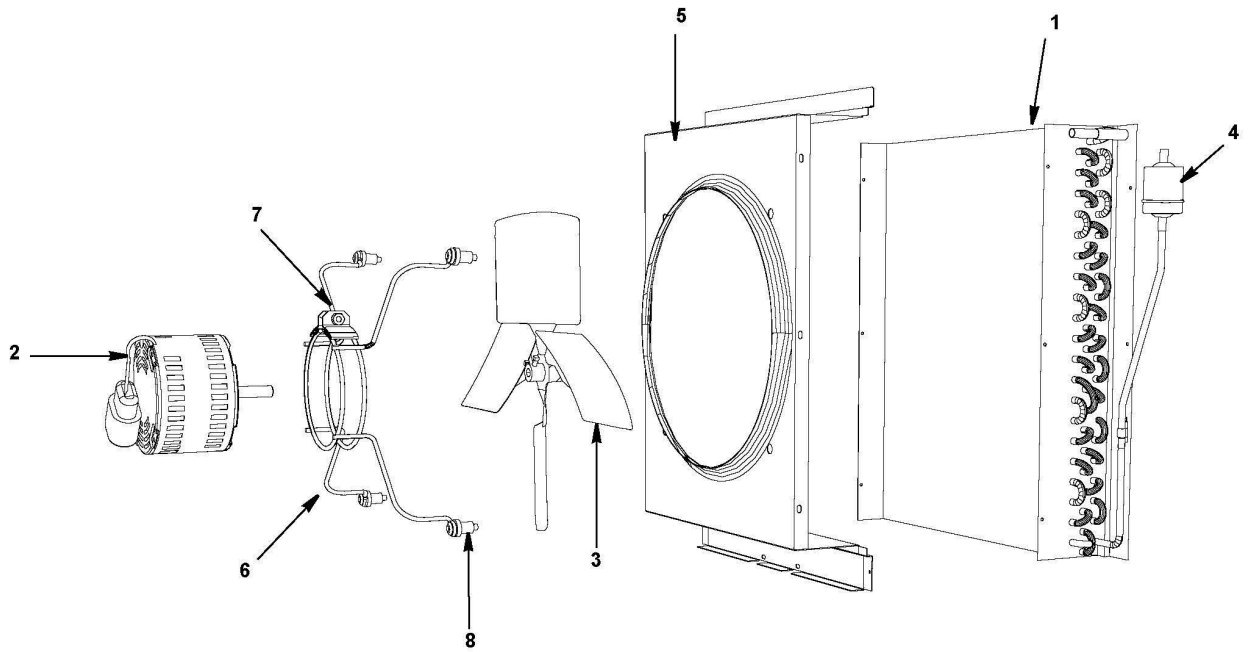
### PART NOTES:

- [1] - \pages from 000005156\_02.jpg" width=266 height=183>  
 [2] - \pages from 401043\_05.jpg" width=1797 height=2238>



# i1406, JC1395 Indigo

## I1406 REFRIGERATION COMPARTMENT - AIR-COOLED



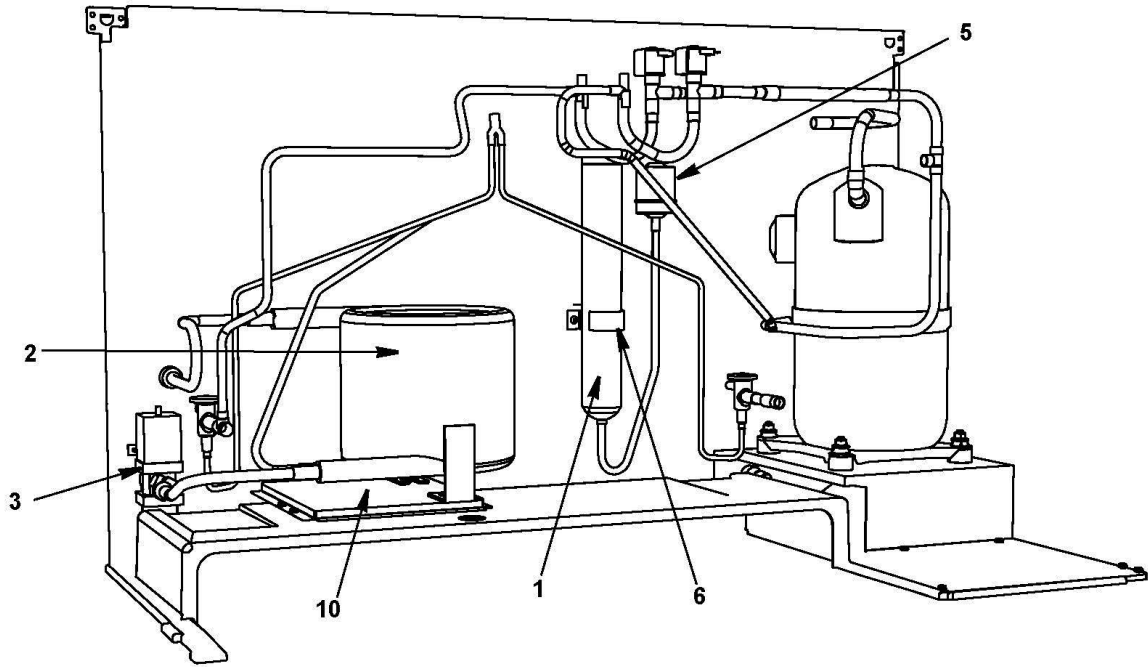
# i1406, JC1395 Indigo

## I1406 REFRIGERATION COMPARTMENT - AIR-COOLED

#	PART #	DESCRIPTION	QTY	Note
1	8851293	Air Condenser		
2		Fan Motor		
2a	000012664	Fan Motor - 230V/60 Hz		
2b	000006007	Fan Motor - 230V/50 Hz		
3	2416113	Fan Blade		
4	8930279	Drier		
5	000011878	Fan Shroud		
6		Fan Motor Bracket		
6a	000010327	Fan Motor Mounting Bracket		
6b	3006823	Fan Motor Mounting Bracket		
7		Fan Motor Mounting		
7a	5033589	Mounting - Screw		
7b	5545109	Mounting - Lockwasher		
7c	5429529	Mounting - Hexnut		
8		Fan Bracket Mounting		
8a	5032389	Mounting - Screw		
8b	5545109	Mounting - Lockwasher		
8c	5573059	Mounting - Flatwasher		
8d	5429559	Mounting - Rubber Wellnut		
9	5202069	Screw - #10-24 x 0.50" HEX		

# i1406, JC1395 Indigo

## I1406 REFRIGERATION COMPARTMENT - WATER-COOLED



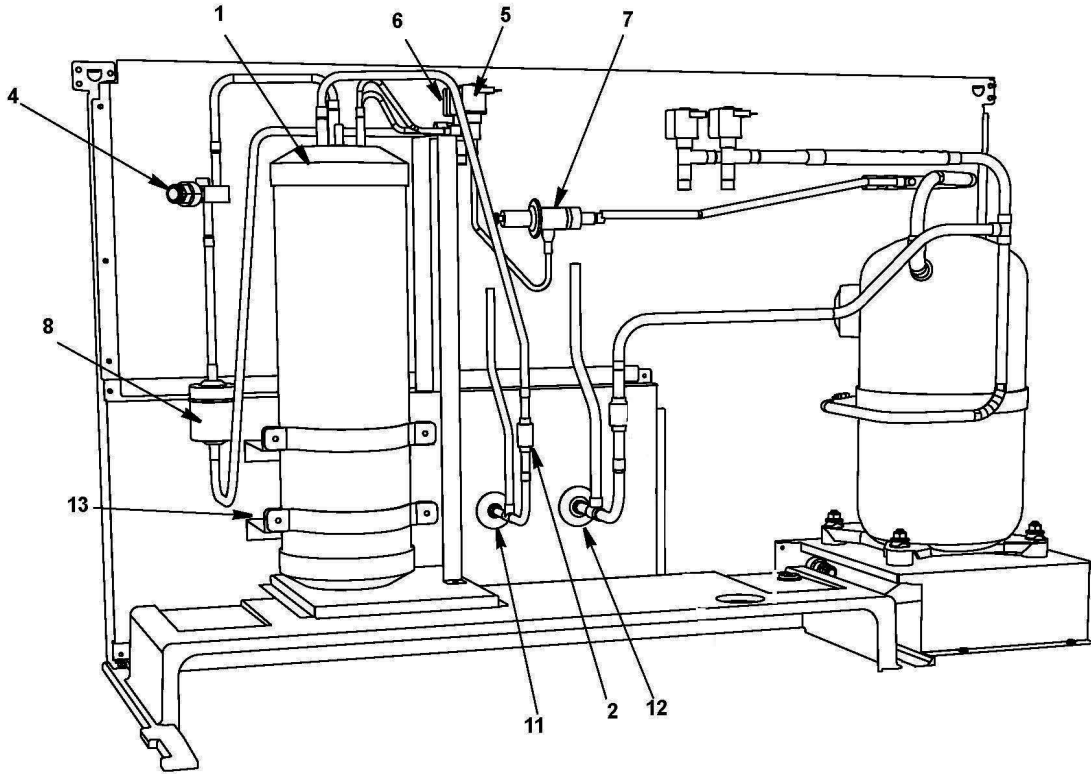
# i1406, JC1395 Indigo

## I1406 REFRIGERATION COMPARTMENT - WATER-COOLED

#	PART #	DESCRIPTION	QTY	Note
1	000008894	Receiver		
2	000001508	Water-cooled Condenser		
3	000007546	Water Regulating Valve		
4	8706083	Female Wing Adapter - 0.50"		
5	8930279	Drier		
6	6000541	Receiver Strap		
7	5002249	Elbow - 0.5" MF x 0.375" MPT		
8	5202069	Screw - #10-24 x 0.50" HEX		
9	5573419	Washer		
10	000011072	Condenser Base - Water/Remote		

# i1406, JC1395 Indigo

## I1406 REFRIGERATION COMPARTMENT - REMOTE



# i1406, JC1395 Indigo

## I1406 REFRIGERATION COMPARTMENT - REMOTE

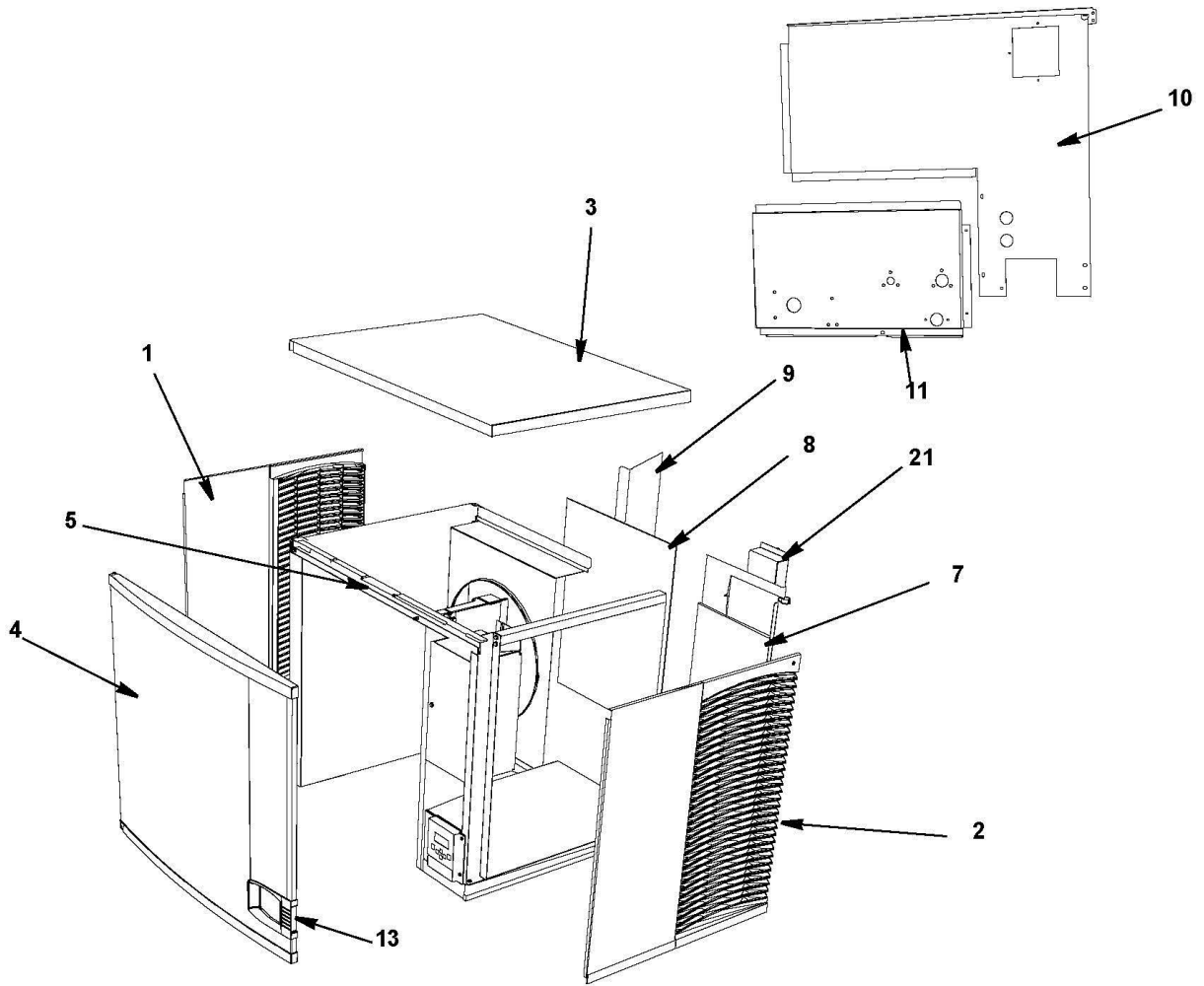
#	PART #	DESCRIPTION	QTY	Note
1	8900019	Receiver		
2	8373149	Magni-Check Valve - 0.375"		
3	8373159	Magni-Check Valve - 0.5"		
4	8373169	Receiver Service Valve		
4a	5650753	Caps for Refrigeration Service Valve		
5		Harvest Pressure Regulating Solenoid Valve		
5a	000007034	Solenoid Valve Including - 208-230V/50-60 Hz Electrical Coil		
5b	000005157	Danfoss Solenoid Valve Coil Only - 230V/50-60 Hz		[1]
6	000007026	Liquid Line Solenoid Valve - Solenoid Valve with Electrical Coil - 208-230V/50-60 Hz		
6a	000005157	Danfoss Solenoid Valve Coil Only - 230V/50-60 Hz		[1]
7	8367793	Harvest Pressure Regulating Valve		
8	8930279	Drier		
9	8360343	Coupling - Male - 0.625"-18		
10	8360353	Coupling - Male - 1.17"-12		
11	8360053	Coupling Mounting Flange for 0.625"-18		
12	8360063	Coupling Mounting Flange for 1-1/16-12		
13	6000561	Receiver Mounting Bracket		
13a	6307214	Receiver Mounting Strap		
14	000011072	Receiver Base - Water/Remote		
15	5202069	Screw - #10-24 x 0.50" HEX		

**PART NOTES:**

[1] - \pages from 000005156\_02.jpg" width=266 height=183>

# i1406, JC1395 Indigo

## I1406 PANELS



# i1406, JC1395 Indigo

## I1406 PANELS

#	PART #	DESCRIPTION	QTY	Note
1	000012620	Left Side Panel		
2	000012619	Right Side Panel		
3	000008537	Top Cover		
3a	000009932	Bracket		
4	000008081	Front Panel Assembly		
4a	000008082	Top Endcap		
4b	000008083	Bottom Endcap		
5	000010052	Front Top Support		
5a	000009113	Cover		
5b	5005379	Mounting Screw - #8-32 x 1.0" PHIL		
5c	5005099	Screw - #10-16 x 0.625"		
7	000011016	Back Panel - Air-cooled		
8	4040253	Air Baffle Assembly		
9	000007678	Air Baffle Assembly		
10	000011094	Back Panel - Water-cooled / Remote Air-cooled		
11	000011742	Coupling Panel		
12	8706083	Female Wing Adapter - 0.50"		
13		Front Panel LCD Frame		
13a	000008090	Front Panel LCD Frame With Key Guard		
13b	000008089	Front Panel LCD Frame Without Key Guard		
13c	K00433	Display Cover		[1]
14	5004899	Front Door Screw		
15	000008978	Bottom Door Frame		
15a	5005379	Mounting Screw - #8-32 x 1.0" PHIL		
15b	5202099	Screw - #10-24 x 0.50" PHIL		
16	000007900	Front Panel Mounting Bracket		
16a	5026739	Mounting Screw 8-32 x 0.50 Phil		
17	000011102	Left Corner Post		
18	6068649	Left Top Channel		
19	000011335	Right Top Channel		
20	000011032	Right Corner Post		
21		Electrical Box on Rear of Ice Machine		
21a	6067289	Rear Connection Box		
21b	6067299	Cover - Rear Connection Box		
21c	2006143	Terminal Block - 50 Hz - 3 Pole		
21d	5202169	Screw - #10-24 x 0.50" Ground		
22	7112479	Cartoning		

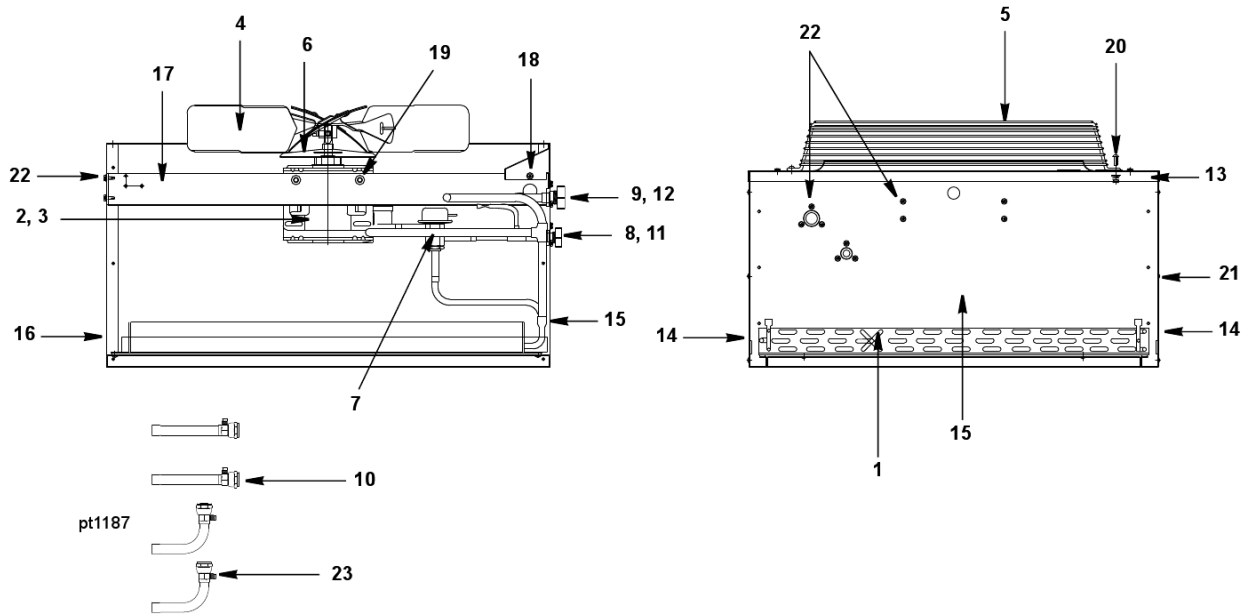
**PART NOTES:**

[1] - hides the display completely



# i1406, JC1395 Indigo

## JC1395 REMOTE CONDENSER



# i1406, JC1395 Indigo

## JC1395 REMOTE CONDENSER

#	PART #	DESCRIPTION	QTY	Note
1	8850903	Air Condenser		
2	7629413	Fan Motor - 208-230V/50-60 Hz/1 Ph		[1]
3	8504583	Fan Motor Run Capacitor		[2]
4	2416113	Fan Blade		
5	3400643	Fan Guard		
6	2415053	Rain Slinger		
7	000004070	Head Pressure Control Valve		
8	8360343	Coupling - Male - 0.625"-18		
9	8360353	Coupling - Male - 1.17"-12		
10	K00129	Female Line Set Coupling Kit		[3]
11	8360053	Coupling Mounting Flange for 0.625"-18		[4]
12	8360063	Coupling Mounting Flange for 1-1/16-12		[5]
13	6017891	Top Cover		
14		Panel - Side		
14a	6017901	Panel - Side Before Serial Number 110529484		
14b	000000613	Panel - Side After Serial Number 110529484		
15		Panel - Rear		
15a	6017911	Panel - Rear Before Serial Number 110529484		
15b	000000612	Panel - Rear After Serial Number 110529484		
16		Panel - Front		
16a	6017921	Panel - Front Before Serial Number 110529484		
16b	000000611	Panel - Front After Serial Number 110529484		
17	6017681	Fan Motor Mounting Bracket		
18	6017761	Electrical Box Cover		
19	5035659	Fan Motor Mounting Screw		[6]
19a	5573099	Mounting - Flatwasher		
19b	5573139	Mounting - Lockwasher		
19c	5429759	Mounting - Hexnut		
20	5033459	Screw - 0.25"-20 x 0.625"		[7]
20a	5573049	Flatwasher		
20b	5545119	Mounting - Lockwasher		
20c	5429529	Mounting - Hexnut		
21	5121539	Panel/Condenser Mounting Screw - #8 x 0.50"		[8]
21a	5544599	Panel/Condenser Mounting Lockwasher		
22	5202059	Screw		[9]
23	7626843	Valve Cores		[10]
24		Legs		
24a	6017691	Legs		[11]
24b	000000718	Legs		[12]
25	000000546	Cartoning		

### PART NOTES:

- [1] - 208-230V/50-60 Hz/1 Ph
- [2] - Emerson
- [3] - Sold as Finished Goods Sales Kit

# i1406, JC1395 Indigo

## JC1395 REMOTE CONDENSER

### PART NOTES:

- [4] - for 5/8-18
- [5] - for 1-1/16-12
- [6] - 5/16-18 x 5/8
- [7] - 1/4-20 x 5/8
- [8] - #8 x 1/2
- [9] - #10-24 x 0.62
- [10] - used in line sets
- [11] - Before Serial Number 110529484
- [12] - After Serial Number 110529484