

Manitowoc

Foodservice

HOW TO READ A MODEL NUMBER

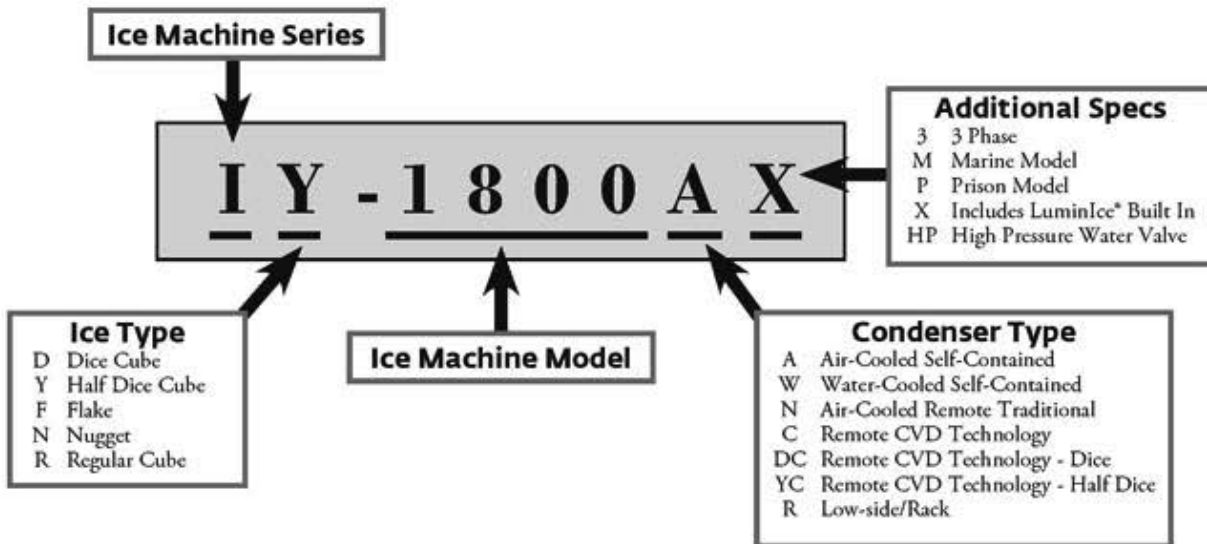


TABLE OF CONTENTS

Manitowoc Foodservice [Updated: Apr. 23, 2015]

Manitowoc - Ice & Related

Parts Catalog

Ice Machine

Indigo Series

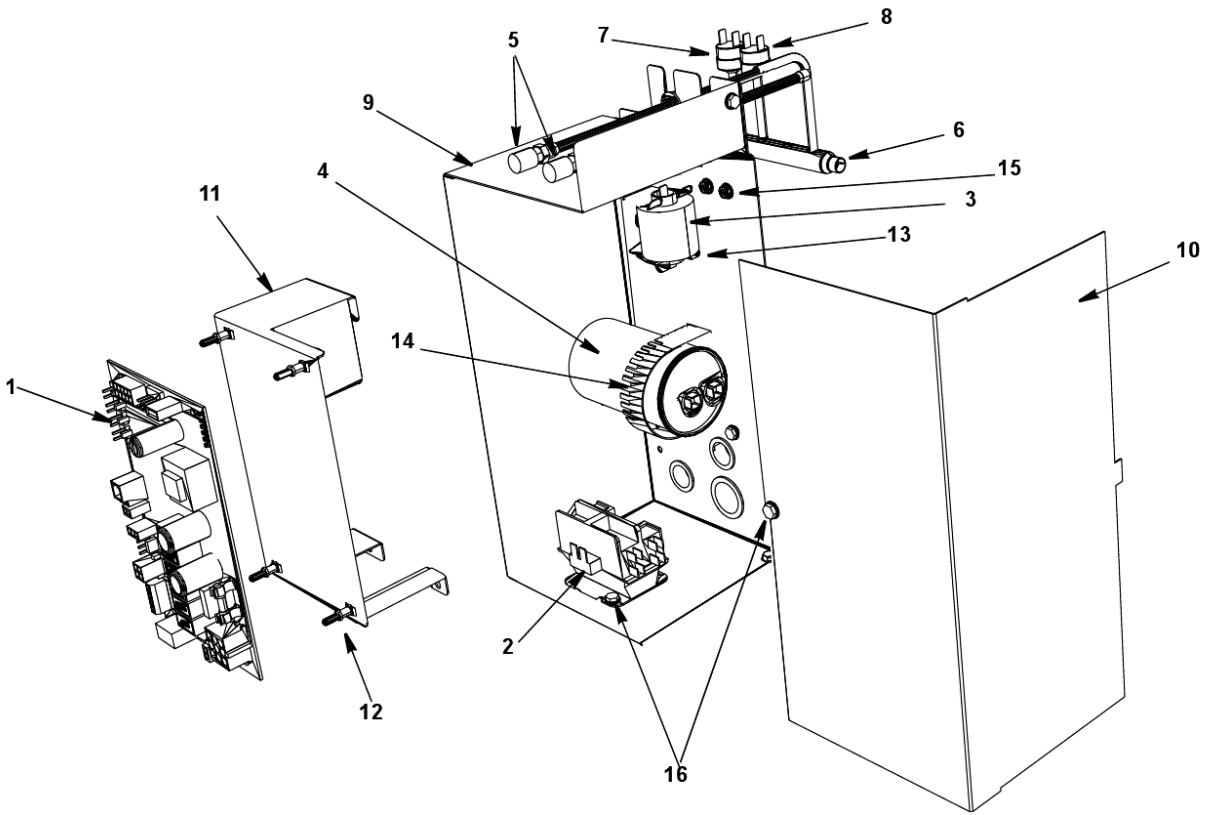
Indigo Model - Air, Water & Remote

i1800, JC1395 Indigo

i1800 Control Box	1
i1800 Evaporator Compartment - Common Components	3
i1800 Refrigeration Compartment - Common Components	6
i1800 Refrigeration Compartment - Air-cooled Components	9
i1800 Refrigeration Compartment - Water-cooled	11
i1800 Refrigeration Compartment - Remote Components	13
i1800 Panels	15
JC1395 Remote Condenser	18

i1800, JC1395 Indigo

I1800 CONTROL BOX



i1800, JC1395 Indigo

I1800 CONTROL BOX

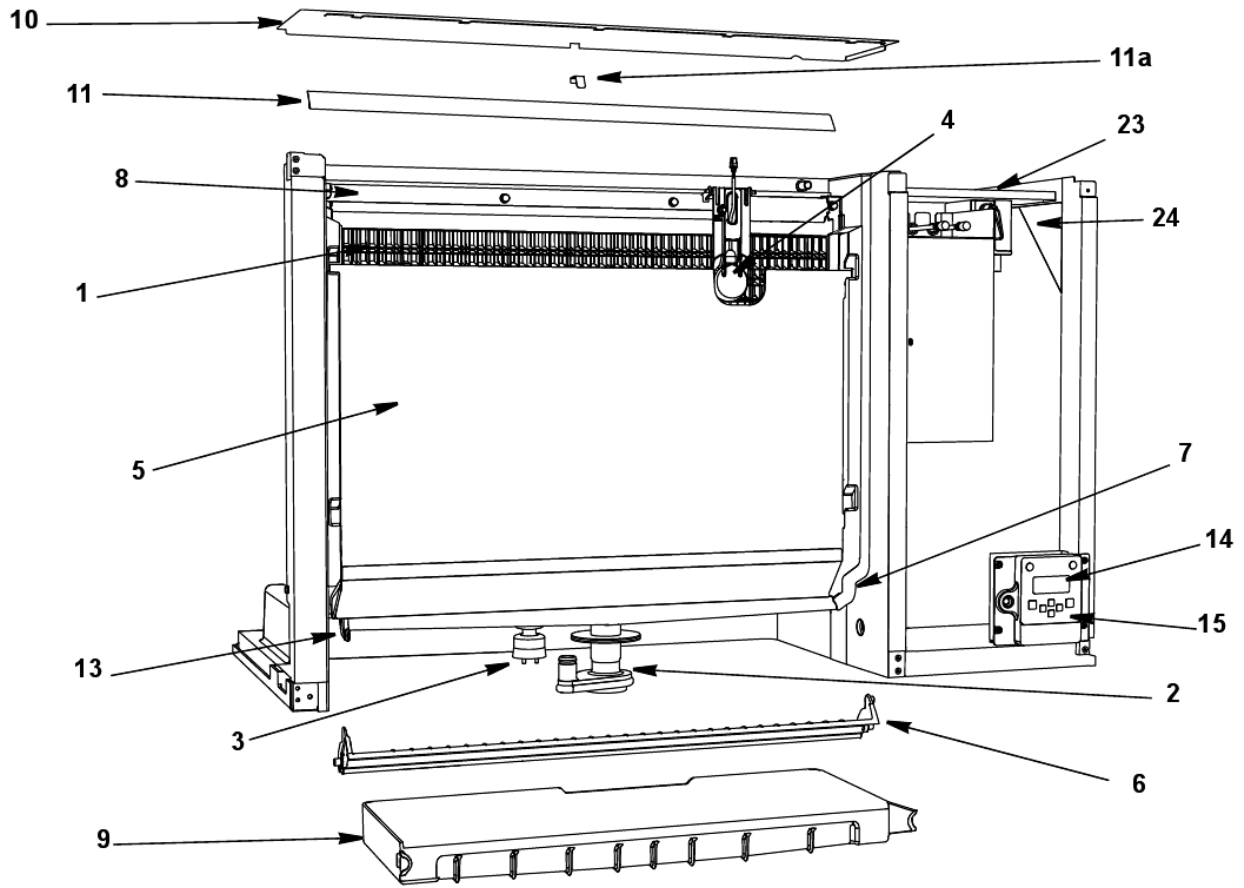
#	PART #	DESCRIPTION	QTY	Note
1	000008309	Control Board		
1a	000009181	8 amp Ceramic Fuse - Mounted on Control Board		
2		Contactors		
2a	2009089	Contactors - 208-230V/50-60 Hz/1 Ph		
2b	2006619	Contactors - 230V/60 Hz/3 Ph		
3	8504913	PTCR		
4		Compressor Run Capacitor		
4a	000005488	Run Capacitor - 115-230V/50-60 Hz/1 Ph		
5	8373253	Access Valve		
5	8373263	Refrigeration Service Valve Assembly		
5a	6058571	Bracket		
7	2001243	HPCO		
8	2001273	Fan Cycling Control - 225-275 psig		[1]
9	000008279	Control Box		
10	000010422	Control Box Cover		
11	000007564	Control Board Mounting Bracket		
12	4302253	Control Board Mounting Supports		
13	8504953	PTCR Bracket		
14	6033131	Capacitor Mounting Bracket		
15	5202169	Screw - #10-24 x 0.50" Ground		
	5573209	Star Washer		
16	5202069	Screw - #10-24 x 0.50" HEX		
17	5573209	Star Washer		
18		Control Box Bushings		
18a	2500019	Bushing - 1.187"		
18b	2501409	Bushing - 0.875"		
19		Control Box Wiring Harness		
19a	000007752	Control Box Wiring Harness - 230V/60 Hz/1 Ph		
19b	2008979	Control Box Wiring Harness - 230V/60 Hz/3 Ph		
19c	000007753	Control Box Wiring Harness - 230V/50 Hz/1 Ph		
19d	000008020	Control Box Wiring Harness - 460V/60 Hz/3 Ph		
20		Compressor Compartment Wiring Harness		
20a	000008257	Compressor Compartment Wiring Harness Air-cooled		
20b	000008258	Compressor Compartment Wiring Harness Water-cooled		
20c	000008259	Compressor Compartment Wiring Harness Remote Air-cooled		
21	000005500	Electrical Noise Filter Wiring Harness		

PART NOTES:

[1] - \pages from 200126_09.jpg" width=170 height=228>

i1800, JC1395 Indigo

I1800 EVAPORATOR COMPARTMENT - COMMON COMPONENTS



i1800, JC1395 Indigo

I1800 EVAPORATOR COMPARTMENT - COMMON COMPONENTS

#	PART #	DESCRIPTION	QTY	Note
1		Evaporator Assembly		
1a	000010425	Evaporator - Dice Cube		
1b	000010426	Evaporator - Half Dice Cube		
1c	000010427	Evaporator - Regular Cube		
2		Water Pump - See Note for Usage		
2a	2008119	Water Pump - 230V/50-60 Hz		[1]
2b	000000259	Water Pump - 230V/50 Hz		[2]
2c	000010263	Water Pump - 200V Only - International		
2d	000010244	Water Pump Mount		
3	000007052	Water Level Probe		
3a	000007724	Wire - Control Box to Water Level Probe		[3]
3b	000007053	Water Level Probe - Holder		
3c	5202099	Screw - #10-24 x 0.50" PHIL		[4]
4	000008660	Ice Thickness Control Probe		
5	000010429	Splash Shield Assembly		
6	000008110	Ice Damper Assembly		
7	000007888	Magnetic Bin Switch		
7a	000007410	Bin Switch Wiring Harness		
8	7603193	Water Distribution Tube - 48" L		
8a	5004649	O-Rings		[5]
9		Water Trough - See Note for Serial Break		
9a	000009112	Water Trough		[6]
9b	000010339	Water Trough		[7]
10	000008253	Foodzone Seal Panel		
11	000008805	Evaporator Top Filler Panel		
11a	6063339	Bracket - Top Filler Panel		
11b	5202099	Screw - #10-24 x 0.50" PHIL		
12	000010430	Evaporator Top Frame Assembly		
13	000010431	Evaporator Bottom Frame Assembly		
14	000006728	LCD Display		
15	000007926	Touch Pad with Housing		
16	000007737	LCD Wiring Harness - 30" Long		[3]
17	000008091	Touch Pad/Housing Mounting Bracket		
18		Front Panel LCD Frame		
18a	000008090	Front Panel LCD Frame With Key Guard		
18b	000008089	Front Panel LCD Frame Without Key Guard		
18c	K00433	Display Cover		[8]
19	5004799	Thumbscrew SS - #8-32 x 0.375"		[9]
19a	5004629	O-Ring - 0.125" ID		
20	5004619	Screw - #12-16 x 0.687"		[10]
21	5004659	Water Pump Base O-Ring - 4.00" ID		
22	5004679	Water Pump Outlet O-Ring - 0.875" ID		
23	000008710	Support Bracket		
24	000008712	Angled Support Bracket		

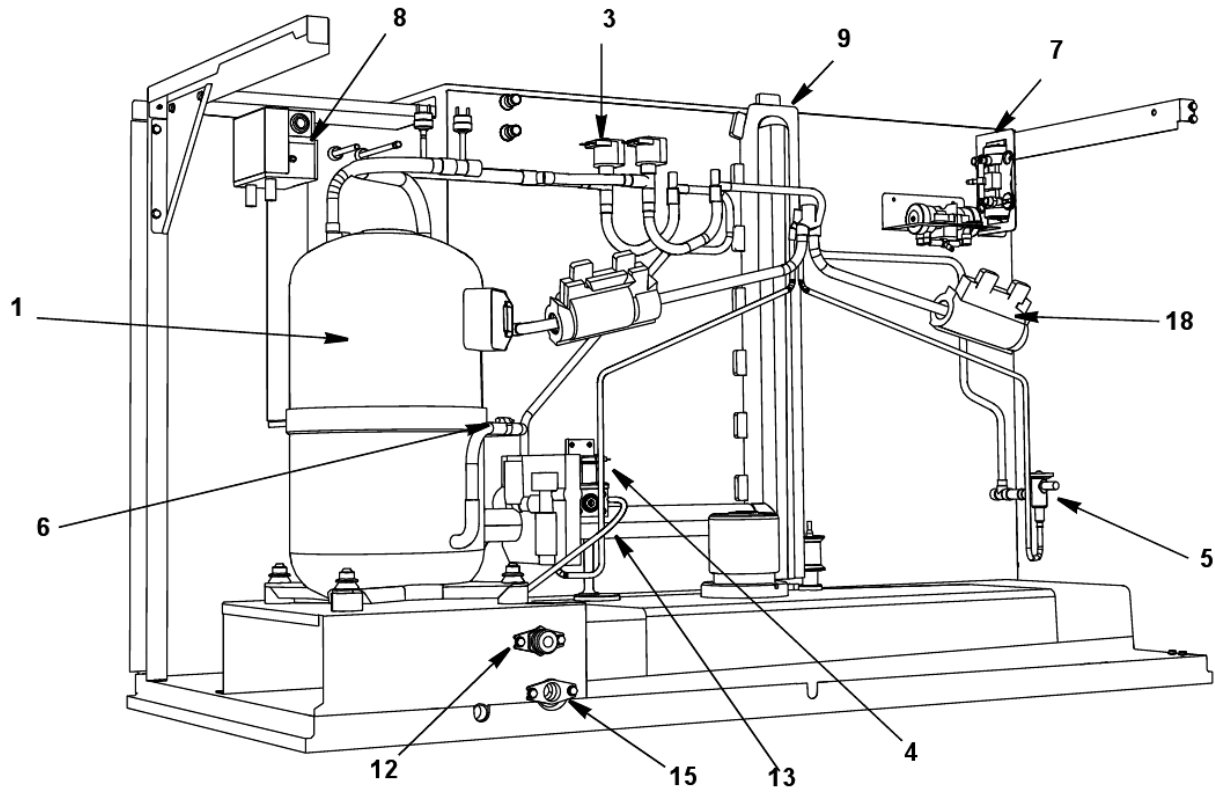
I1800 EVAPORATOR COMPARTMENT - COMMON COMPONENTS

PART NOTES:

- [1] - 60 Hz
- [2] - 50 Hz
- [3] - Not shown
- [4] - Mount Water Level Probe Holder
- [5] - Back of Distribution Assembly
- [6] - Before Serial Number - 1101295860
- [7] - After Serial Number - 1101295860
- [8] - hides the display completely
hides the display completely
- [9] - Water Distribution Tube Mounting
- [10] - Each

i1800, JC1395 Indigo

I1800 REFRIGERATION COMPARTMENT - COMMON COMPONENTS



i1800, JC1395 Indigo

I1800 REFRIGERATION COMPARTMENT - COMMON COMPONENTS

#	PART #	DESCRIPTION	QTY	Note
1		Compressor		
1a	000008445	Compressor - Bristol - 208-230V/60 Hz/1 Ph		
1b	000008446	Compressor - Bristol - 208-230V/60 Hz/3 Ph		
1c	000008447	Compressor - Bristol - 230V/50 Hz/1 Ph		
1d	000008448	Compressor - Bristol - 460V/60 Hz/3 Ph		
1e	000005176	Compressor Molded Plug Wiring Harness		
2		Water Dump Valve		[1]
2a	000001768	Water Dump Valve - 208-230V/50-60 Hz		
2b	6058459	Water Dump Valve Mounting Bracket		
2c	4420383	Clear Tubing - 0.625" ID		
3		Harvest Valve		
3a	000007017	Solenoid Valve Including 208-230V/50-60 Hz Electrical Coil		
3b	000005157	Danfoss Solenoid Valve Coil Only - 230V/50-60 Hz		[2]
4		Water Inlet Valve with Bracket		
4a	000009121	Water Inlet Valve - 208-230V/50-60 Hz		
5	7602253	Expansion Valve		
5a	000012443	Valve Insulation Boot - Body		
6	000008310	Thermistor with Spring Clips		
7		Air Assist		
7a	000007223	Air Assist - 230V/50-60 Hz		
7b	4011739	Air Manifold		[3]
7c	000006489	Air Assist Bracket		
7d	3001453	Air Assist - Nozzle		
8	K00434	LuminIce		
8a	K00425	LuminIce Bulb		
8b	000007409	LuminIce Wiring Harness		
8c	000007990	Bulkhead Fitting 2.25"		
8d	000008269	Bulkhead Fitting 2.75"		
9	000003409	Insulated Tube		[4]
9a	5650609	Snap Clamp - 1.0" ID		
9b	5650709	Snap Clamp - 0.799"/0.899" ID		
10	000001382	Vinyl Tubing 0.625" ID		[5]
10a	6038831	Insulation 0.88 ID X 0.25W X 13.50L		
10b	5650709	Snap Clamp - 0.799"/0.899" ID		
11	000009316	Heat Exchanger		
12	8706093	Female Wing Adapter - 0.375"		
12a	1360961	Male Connector		
13	4010439	Tubing - Water Inlet Valve		[6]
14	1360989	Connector - Water Inlet Valve		
15	8706133	Female Wing Adapter - 0.50"		
16		Compressor Mounting		
16a	6065909	Compressor Mounting Base		
16b	8503069	Mounting - Rubber Grommet		
16c	8503949	Mounting - Sleeve		
16d	5004819	Compressor Mounting - Bolt		
16e	5004829	Compressor Mounting - Nut		

i1800, JC1395 Indigo

I1800 REFRIGERATION COMPARTMENT - COMMON COMPONENTS

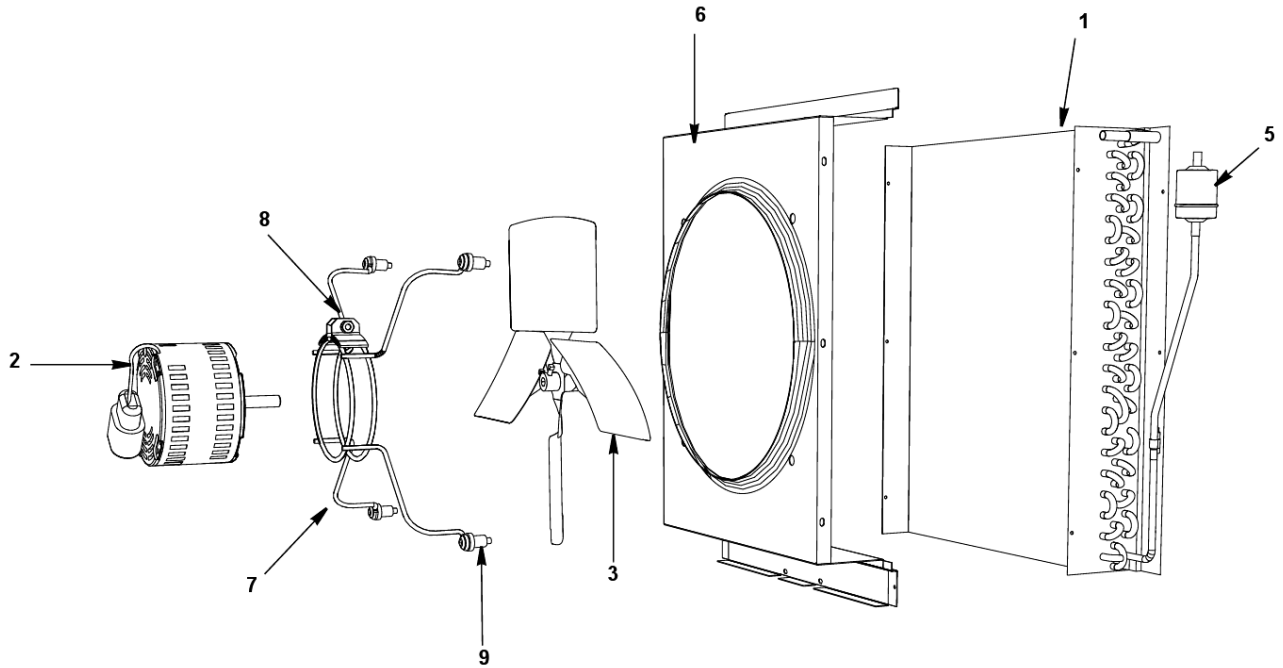
#	PART #	DESCRIPTION	QTY	Note
17	5650529	Clamp - Expansion Valve Bulb		
18	000002719	Valve Insulation Boot - Bulb		
18a	3000503	Strap - Expansion Valve Bulb - 0.5"		
19	5202069	Screw - #10-24 x 0.50" HEX		

PART NOTES:

- [1] - with bracket
- [2] - \pages from 000005156_02.jpg" width=266 height=183>
- [3] - Air Pump Tubing Outlet
- [4] - vinyl tubing from distribution tube to water pump & dump valve
- [5] - dump valve to drain adapter
- [6] - \pages from 401043_05.jpg" width=1797 height=2238>

i1800, JC1395 Indigo

I1800 REFRIGERATION COMPARTMENT - AIR-COOLED COMPONENTS



i1800, JC1395 Indigo

I1800 REFRIGERATION COMPARTMENT - AIR-COOLED COMPONENTS

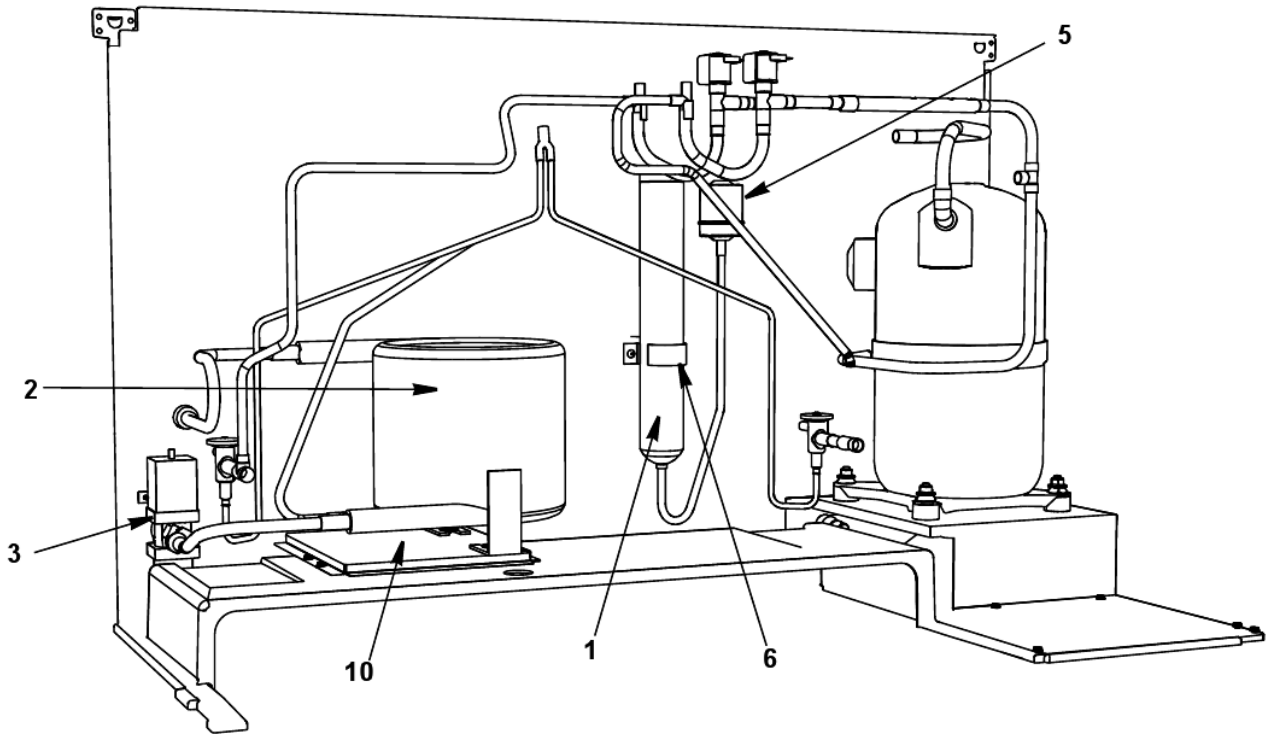
#	PART #	DESCRIPTION	QTY	Note
1	8851293	Air Condenser		
2	7626733	Fan Motor - 208-230V/50-60 Hz		[1]
3	2416113	Fan Blade		
4	000010583	Reverse Air Flow - Fan Blade 18" Blower		
5	8930279	Drier		
6	6065979	Fan Shroud		
7	3006823	Fan Motor Mounting Bracket		
8		Fan Motor Mounting		
8a	5033589	Mounting - Screw		
8b	5545109	Lockwasher		
8c	5429529	Mounting - Hexnut		
9		Fan Bracket Mounting		
9a	5033589	Mounting - Screw		
9b	5545109	Lockwasher		
9c	5573059	Mounting - Flatwasher		
9d	5429559	Mounting - Rubber Wellnut		

PART NOTES:

[1] - 208-230V/60 Hz or 230V/50 Hz

i1800, JC1395 Indigo

I1800 REFRIGERATION COMPARTMENT - WATER-COOLED



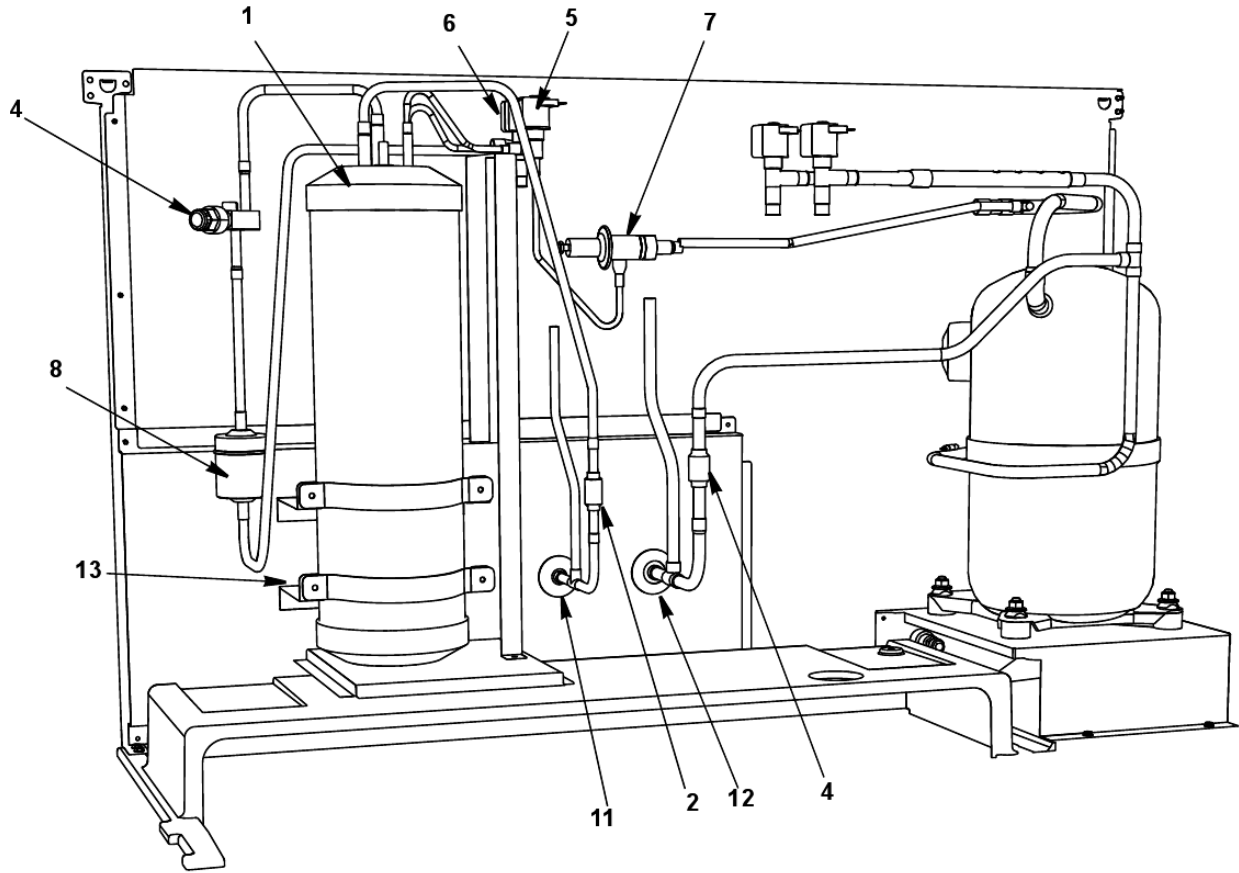
i1800, JC1395 Indigo

I1800 REFRIGERATION COMPARTMENT - WATER-COOLED

#	PART #	DESCRIPTION	QTY	Note
1	000008894	Receiver		
2	000001508	Water-cooled Condenser		
3	8372123	Water Regulating Valve		
4	8706083	Female Wing Adapter - 0.50"		
5	8930279	Drier		
6	6000541	Receiver Strap		
7	5002249	Elbow - 0.5" MF x 0.375" MPT		
8	5202069	Screw - #10-24 x 0.50" HEX		
9	5573419	Washer		
10	6066849	Receiver Base		

i1800, JC1395 Indigo

I1800 REFRIGERATION COMPARTMENT - REMOTE COMPONENTS



i1800, JC1395 Indigo

I1800 REFRIGERATION COMPARTMENT - REMOTE COMPONENTS

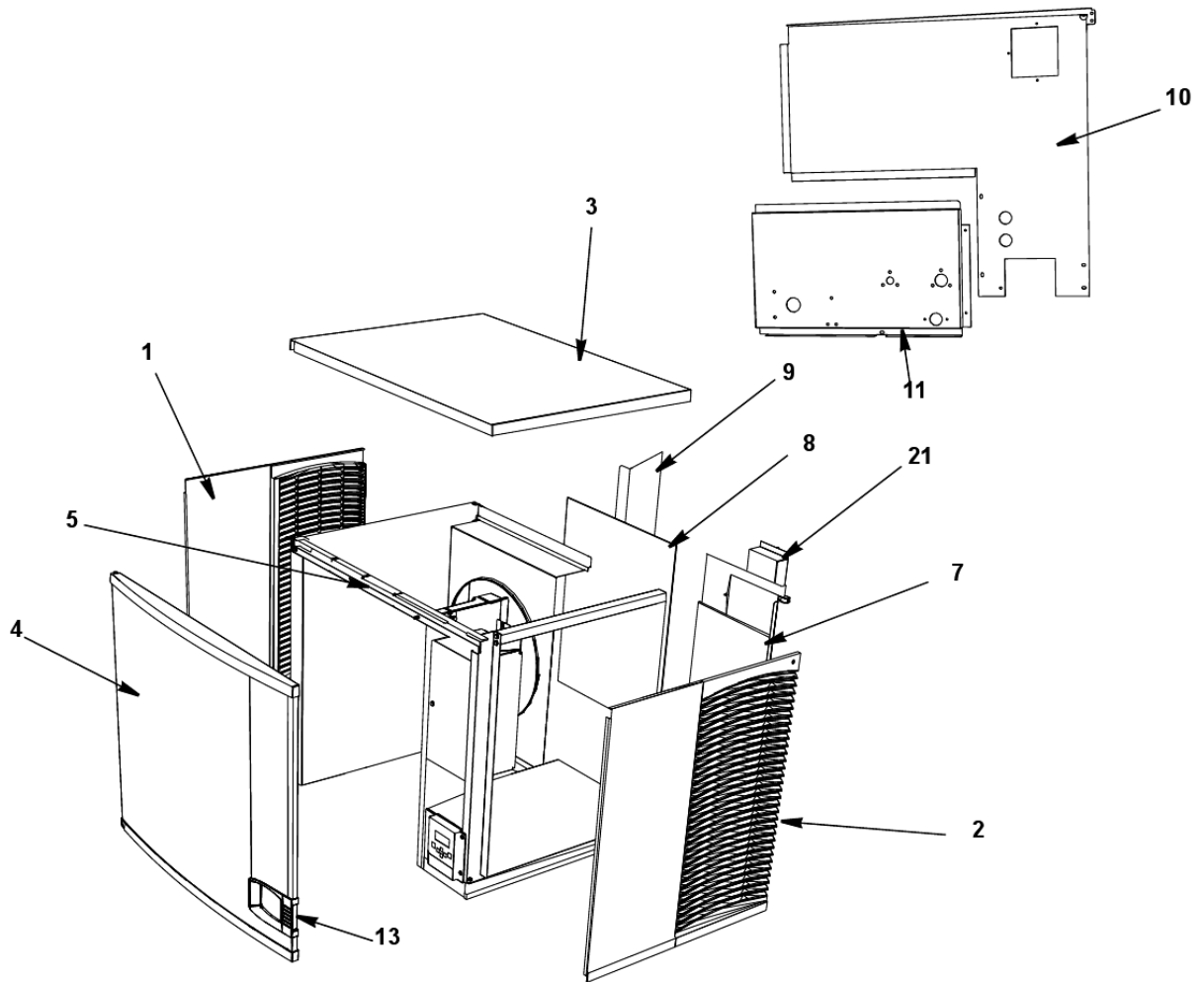
#	PART #	DESCRIPTION	QTY	Note
1	7629583	Receiver		
2	8373149	Magni-Check Valve - 0.375"		
3	8373159	Magni-Check Valve - 0.5"		
4	8373169	Receiver Service Valve		
4a	5650753	Caps for Refrigeration Service Valve		
5		Harvest Pressure Regulating Solenoid Valve		
5a	000007034	Solenoid Valve Including - 208-230V/50-60 Hz Electrical Coil		[1]
5b	000005157	Danfoss Solenoid Valve Coil Only - 230V/50-60 Hz		[2]
6		Liquid Line Solenoid Valve		
6a	000007026	Solenoid Valve with Electrical Coil - 208-230V/50-60 Hz		[1]
6b	000005157	Danfoss Solenoid Valve Coil Only - 230V/50-60 Hz		[2]
7	8367793	Harvest Pressure Regulating Valve		
8	8930279	Drier		
9	8360343	Coupling - Male - 0.625"-18		
10	8360353	Coupling - Male - 1.17"-12		
11	8360053	Coupling Mounting Flange for 0.625"-18		
12	8360063	Coupling Mounting Flange for 1-1/16-12		
13		Receiver Mounting		
13a	6000561	Receiver Mounting Bracket		
13b	6307214	Receiver Mounting Strap		
13c	000006704	Support Bracket		
13d	6066849	Receiver Base		
13e	5202069	Screw - #10-24 x 0.50" HEX		

PART NOTES:

- [1] - Danfoss
- [2] - \pages from 000005156_02.jpg" width=266 height=183>

i1800, JC1395 Indigo

I1800 PANELS



i1800, JC1395 Indigo

I1800 PANELS

#	PART #	DESCRIPTION	QTY	Note
1		Left Side Panel		
1a	000005239	Left Panel - Standard		
1b	000010547	Reverse Air Flow		
2		Right Side Panel		
2a	000005237	Right Panel - Standard		
2b	000010546	Reverse Air Flow		
3	000008537	Top Cover		
3a	000009932	Bracket		
4	000008080	Front Panel Assembly		
4a	000008082	Top Endcap		
4b	000008083	Bottom Endcap		
5	000010052	Front Top Support		
5a	000009113	Cover		
5b	5005379	Mounting Screw - #8-32 x 1.0" PHIL		
5c	5005099	Screw - #10-16 x 0.625"		
6	6065909	Compressor Mounting Base Air-cooled Back Panels		
7	000008267	Back Panel with Electrical Connection Box, Air-cooled Models		
8	4040253	Air Baffle Assembly		
9	000007678	Air Baffle Assembly Water-cooled & Remote Air-cooled Back Panels		
10	6067149	Back Panel, Remote or Water		
11	6066829	Back Panel - Coupling Panel		
12	8706083	Female Wing Adapter - 0.50"		
13		Front Panel LCD Frame		
13a	000008090	Front Panel LCD Frame With Key Guard		
13b	000008089	Front Panel LCD Frame Without Key Guard		
13c	K00433	Display Cover		[1]
14	5004899	Front Door Screw		
15	000008978	Bottom Door Frame		
15a	5005379	Mounting Screw - #8-32 x 1.0" PHIL		
15b	5202099	Screw - #10-24 x 0.50" PHIL		
16	000007900	Front Panel Mounting Bracket		
16a	5026739	Mounting Screw 8-32 x 0.50 Phil		
17	6065999	Left Corner Post		
18	6068649	Left Top Channel		
19	000008717	Right Corner Post - Front		
20	000008715	Right Top Channel		
21		Electrical Box on Rear of Ice Machine		
21a	6067289	Rear Connection Box		
21b	6067299	Cover - Rear Connection Box		
21c	2006143	Terminal Block - 50 Hz - 3 Pole		
21d	5202169	Screw - #10-24 x 0.50" Ground		
22	7112479	Cartoning		

i1800, JC1395 Indigo

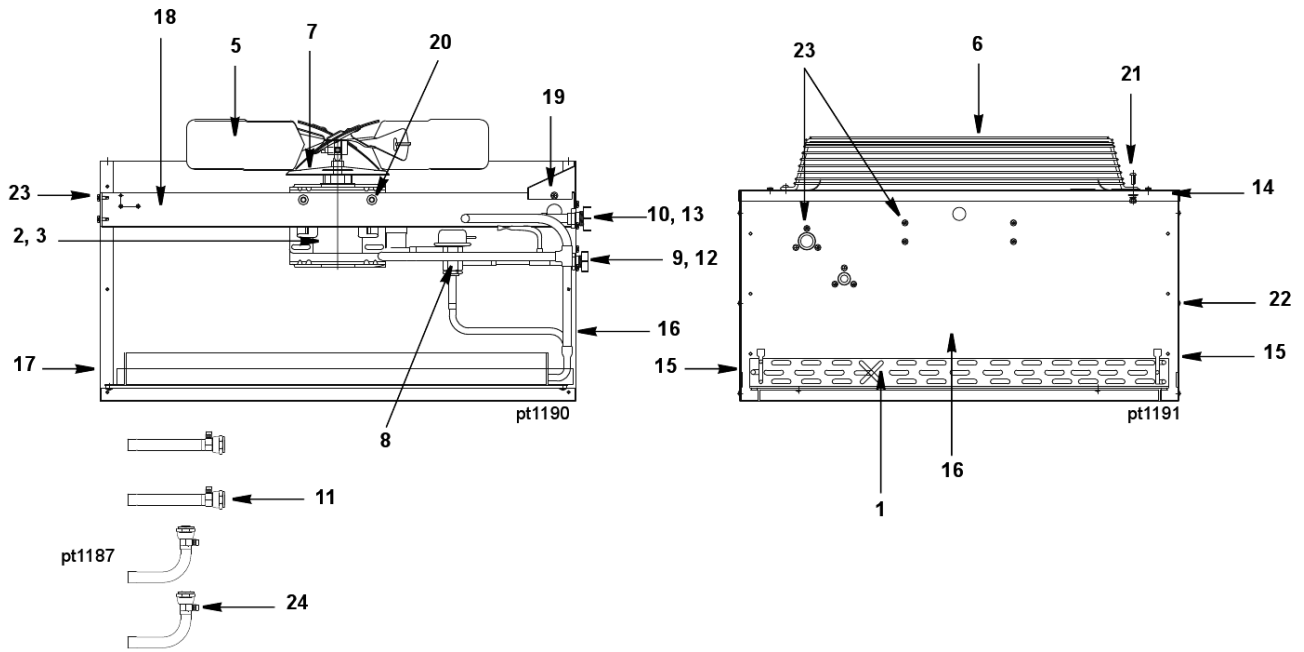
I1800 PANELS

PART NOTES:

- [1] - hides the display completely
hides the display completely

i1800, JC1395 Indigo

JC1395 REMOTE CONDENSER



i1800, JC1395 Indigo

JC1395 REMOTE CONDENSER

#	PART #	DESCRIPTION	QTY	Note
1	8850629	Air Condenser		
2	7629413	Fan Motor - 208-230V/50-60 Hz/1 Ph		[1]
3		Fan Motor		
4	8504583	Fan Motor Run Capacitor		[2]
5	2416113	Fan Blade		
6	3400643	Fan Guard		
7	2415053	Rain Slinger		
8	000004070	Head Pressure Control Valve		
9	8360343	Coupling - Male - 0.625"-18		
10	8360353	Coupling - Male - 1.17"-12		
11	K00129	Female Line Set Coupling Kit		
12	8360053	Coupling Mounting Flange for 0.625"-18		
13	8360063	Coupling Mounting Flange for 1-1/16"-12		[3]
14	6017751	Top Cover		
15		Panel - Side		
15a	6017901	Panel - Side Before Serial Number 110529484		
15b	000000613	Panel - Side After Serial Number 110529484		
16		Panel - Rear		
16a	6017911	Panel - Rear Before Serial Number 110529484		
16b	000000612	Panel - Rear After Serial Number 110529484		
17		Panel - Front		
17a	6017921	Panel - Front Before Serial Number 110529484		
17b	000000611	Panel - Front After Serial Number 110529484		
18	6017681	Fan Motor Mounting Bracket		
19	6017761	Electrical Box Cover		
20	5035659	Fan Motor Mounting Screw		[4]
20a	5573099	Mounting - Flatwasher		
20b	5573139	Mounting - Lockwasher		
20c	5429759	Mounting - Hexnut		
21	5033459	Screw - 0.25"-20 x 0.625"		[5]
21a	5573049	Flatwasher		
21b	5545119	Mounting - Lockwasher		
21c	5429529	Mounting - Hexnut		
22	5121539	Panel/Condenser Mounting Screw - #8 x 0.50"		[6]
22a	5544599	Panel/Condenser Mounting Lockwasher		
23	5202069	Screw - #10-24 x 0.50" HEX		[7]
24	7626843	Valve Cores		[8]
25		Legs		[9]
25a	6017691	Legs		[10]
25b	000000718	Legs		[11]
26	000000546	Cartoning		

PART NOTES:

- [1] - 208-230V/50-60 Hz/1 Ph
- [2] - Emerson

i1800, JC1395 Indigo

JC1395 REMOTE CONDENSER

PART NOTES:

- [3] - for 1-1/16-12
- [4] - 5/16-18 x 5/8
- [5] - 1/4-20 x 5/8
- [6] - #8 x 1/2
- [7] - #10-24 x 1/2
- [8] - used in line sets
- [9] - Not shown
- [10] - Before Serial Number 110529484
- [11] - After Serial Number 110529484