



Manitowoc
Foodservice
Parts Manual

For more Parts Information:
<https://manitowocfsg.sysonline.com/Default.aspx>

TABLE OF CONTENTS

Manitowoc Foodservice [Updated: Sep. 30, 2013]

Manitowoc - Ice & Related

Parts Catalog

Ice Machine

Ice/Bev Series

Ice/Bev Model - QuietQube

iB1090C, iCVD1195

iB1090C Control Box 1

iB1090C Evaporator Compartment 3

iB1090C Refrigeration Compartment 5

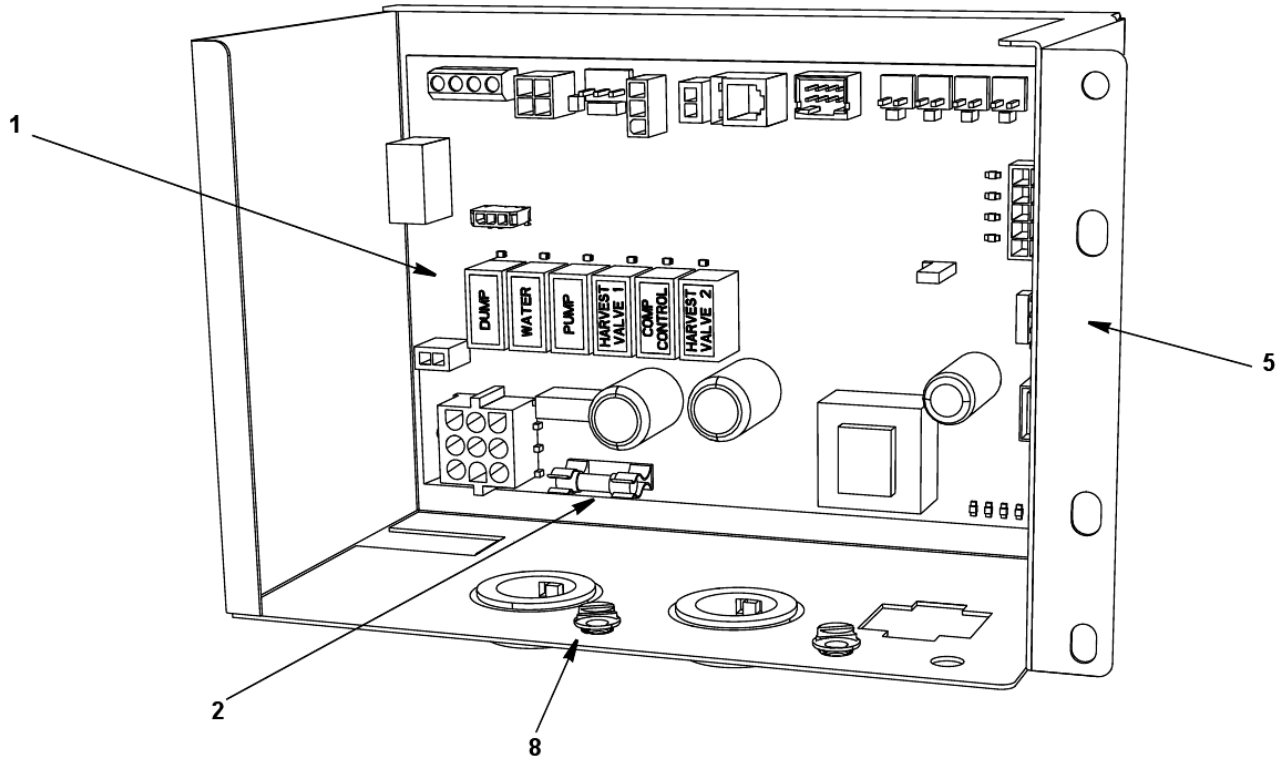
iB1090C Head Section Panels 8

iCVD1195 Condensing Unit 10

iCVD1195 Condensing Unit Panels 13

iB1090C, iCVD1195

IB1090C CONTROL BOX

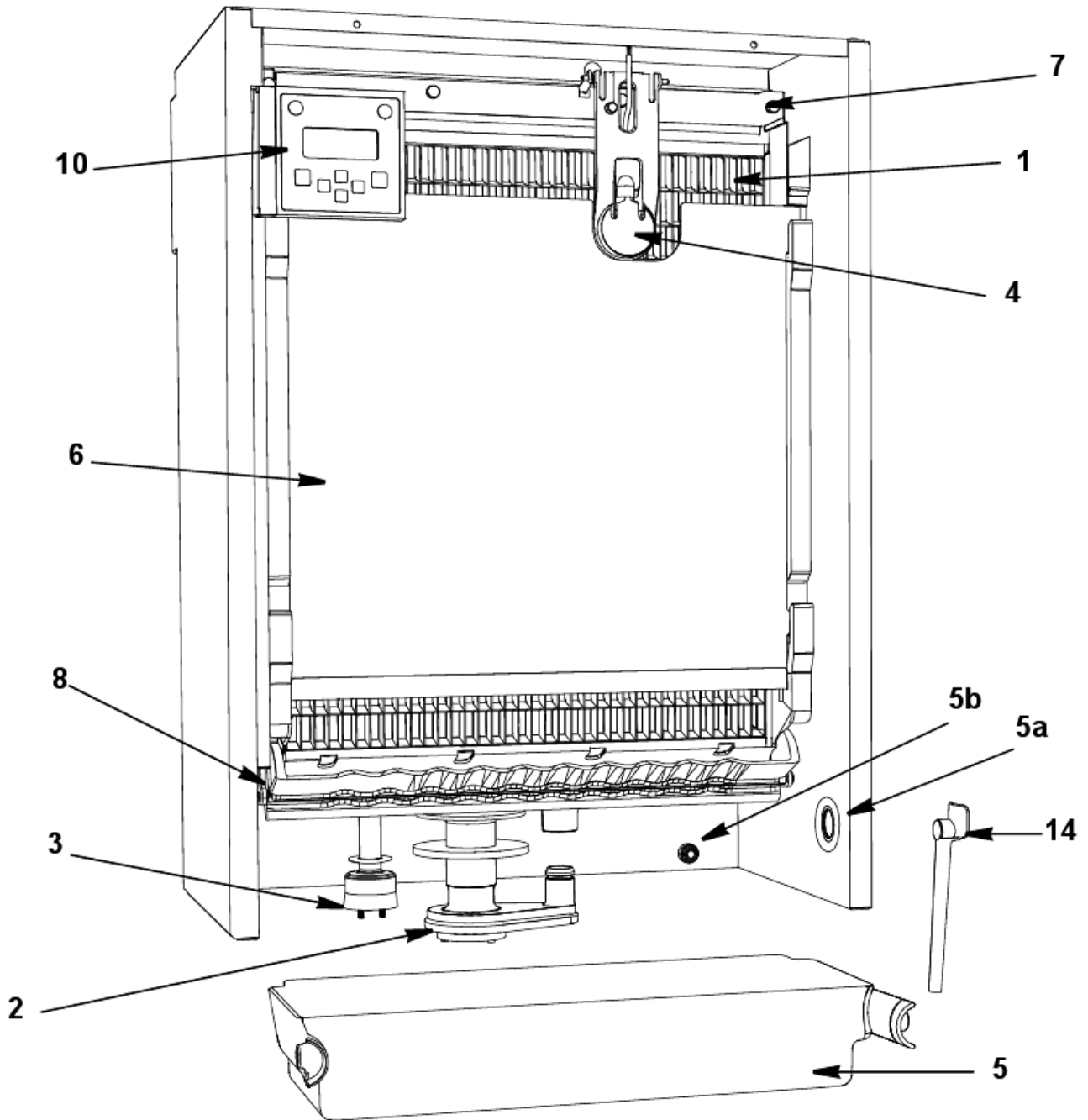


IB1090C, iCVD1195

IB1090C CONTROL BOX

#	PART #	DESCRIPTION	QTY	Note
1	000008309	Control Board		
2	000009181	8 amp Ceramic Fuse - Mounted on Control Board		
3	000008692	Wiring Harness - Compressor Compartment		
4	2000773	Wiring Harness - Control Box		
5	000007537	Control Box		
6	000010456	Control Box Cover		
7	4302253	Control Board Mounting Supports		
8	5202169	Screw - #10-24 x 0.50" Ground		
9	2500021	Bushings		
10	2033013	Power Cord - 115V		

IB1090C EVAPORATOR COMPARTMENT



IB1090C, iCVD1195

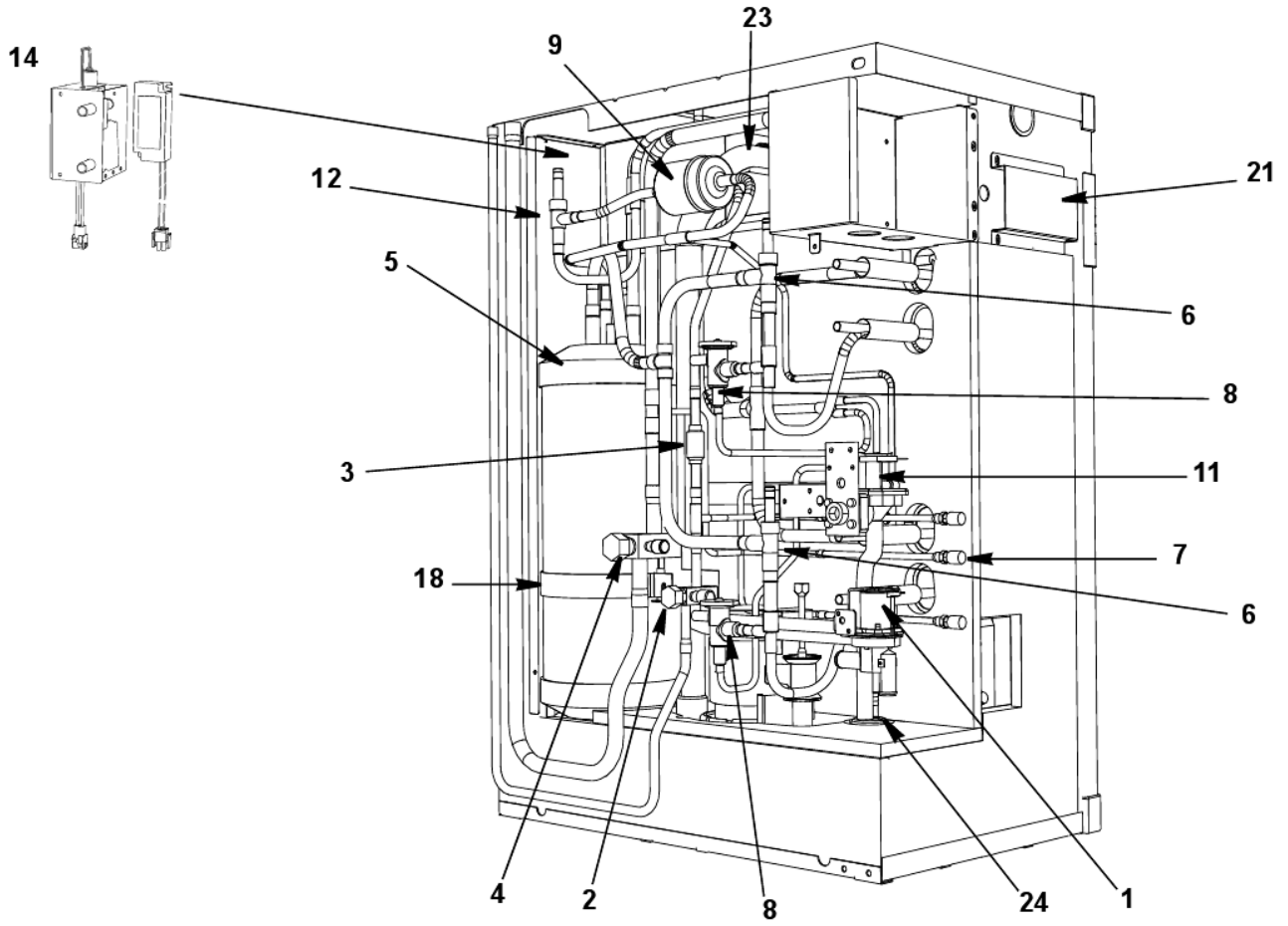
IB1090C EVAPORATOR COMPARTMENT

#	PART #	DESCRIPTION	QTY	Note
1		Evaporator Assembly		
1a	000009314	Evaporator - Half Dice Cube		
2		Water Pump		
2a	2008489	Water Pump - 115V/60 Hz		
2b	000001202	Water Pump Mount		
3	000007052	Water Level Probe		
3a	000007724	Wire - Control Box to Water Level Probe		
3b	000007053	Water Level Probe - Holder		
3c	5202099	Screw - #10-24 x 0.50" PHIL		[1]
3d	000007849	Mounting Bracket		
4	000009184	Ice Thickness Control Probe		
5	000007482	Water Trough		
5a	000007619	Trough Mount		
5b	000007897	Trough Support		
6	000009176	Splash Shields		
7	7602193	Water Distribution Tube - 30" Models		
7a	5004649	O-Rings		
8	000002056	Ice Damper Assembly		
9	000001756	Magnetic Bin Switch		
9a	000007410	Bin Switch Wiring Harness		
9b	000001421	Bin Switch Covers		
10		LCD Display with Housing		
10a	000007738	Use with Green Control Board		
10b	000007739	Use with Blue or Red Control Board		
11	000007828	LCD Wiring Harness - 20" Long		
12		Front Panel LCD Frame		
12a	000007480	Front Panel LCD Frame With Key Guard		
12b	000007479	Front Panel LCD Frame Without Key Guard		
12c	K00433	Display Cover		[2]
13	5004799	Thumbscrew SS - #8-32 x 0.375"		
14	000008155	Thermostat Probe with Bracket		
14a	5000013	Thumbscrew - #8-32 x 0.375"		
15	4000603	Bottom Splash Shield		
15a	5000453	Wing-head Mounting Stud		
15b	5650853	Receptacle		
16		Evaporator Frames		
16a	000002786	Evaporator Top Frame Assembly		
16b	000002787	Evaporator Bottom Frame Assembly		

PART NOTES:

- [1] - Mount Water Level Probe Holder
- [2] - hides the display completely

IB1090C REFRIGERATION COMPARTMENT



IB1090C, iCVD1195

IB1090C REFRIGERATION COMPARTMENT

#	PART #	DESCRIPTION	QTY	Note
1		Water Dump Valve		
1a	000001767	Water Dump Valve - 115V/60 Hz		
2	8373293	Manual Shut-off Valve - Liquid Line		
3	8373149	Magni-Check Valve - 0.375"		
4	5373303	Manual Shut-off Valve Suction Line		
4a	7600643	Insulation Boot		
4b	8373023	Valve Cap		
5	7629593	Receiver		
6		Cool Vapor Valves		
6a	000007018	Solenoid Valve Including 115V/60 Hz Electrical Coil		
6b	000005156	Danfoss Solenoid Valve Coil Only - 115V/60 Hz		[1]
7	8373253	Access Valve		
7a	000007467	Bracket		
8	7601583	Expansion Valve		
8a	7600803	Expansion Valve Body Insulation Boot		
9	8930279	Drier		
10	000008310	Thermistor with Spring Clips		
11		Water Inlet Valve		
11a	000007965	Water Inlet Valve - 115V/60 Hz/1 Ph		
12		Liquid Line Solenoid Valve		
12a	000007027	Solenoid Valve with Electrical Coil - 115V/60 Hz		
12b	000005156	Danfoss Solenoid Valve Coil Only - 115V/60 Hz		[1]
13		Air Assist Pump		
13a	000007222	Air Assist - 115V/60 Hz		
13b	000007850	Mounting Bracket		
13c	4004579	Air Manifold		
14	K00424	LuminIce		
14a	K00425	LuminIce Bulb		
14b	000007409	LuminIce Wiring Harness		
14c	000007990	Bulkhead Fitting 2.25"		
15	000008024	Dump Valve Outlet Vinyl Tubing		
16	8706133	Female Wing Adapter - 0.50"		
17	5650529	Clamp - Expansion Valve Bulb		
17a	3000503	Strap - Expansion Valve Bulb - 0.5"		
18	000007466	Receiver Strap		
19	000007465	Receiver Mounting Bracket		[2]
20	000007464	Service Valve Bracket		[3]
21	000008496	Hinge Bracket		
22	000008635	Drip Bracket		
23	000007413	Molded Vinyl Tube		[4]
24	4000873	Water Inlet Fitting		
24a	5000383	Water Inlet Fitting Nut		

iB1090C, iCVD1195

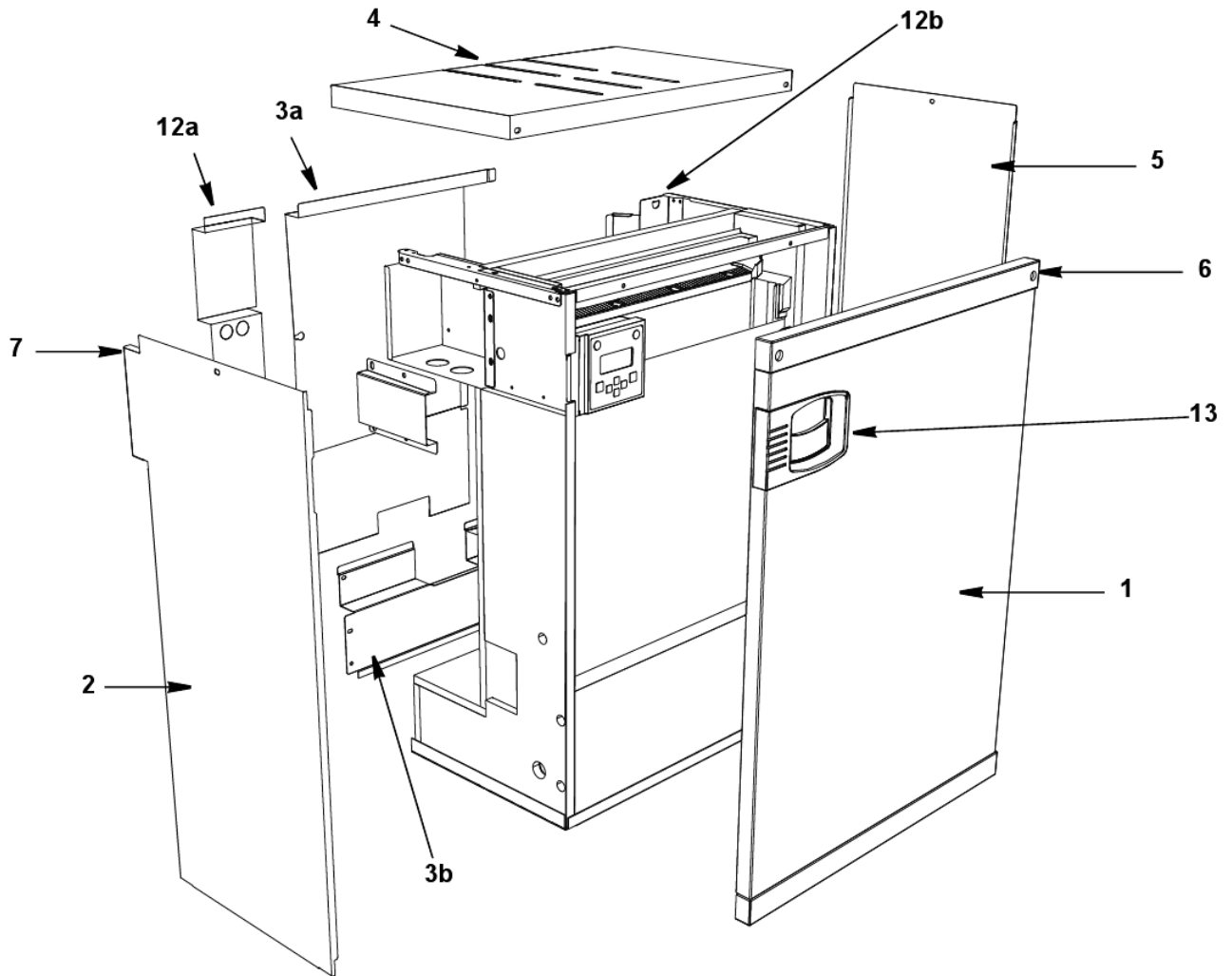
IB1090C REFRIGERATION COMPARTMENT

#	PART #	DESCRIPTION	QTY	Note
---	--------	-------------	-----	------

PART NOTES:

- [1] - \pages from 000005156_02.jpg" width=280 height=256>
- [2] - Mounts to Bulkhead & Strap
- [3] - Mounts to Receiver Mounting Bracket
- [4] - Water Inlet Valve to Water Pump and Water Distribution Tube

IB1090C HEAD SECTION PANELS



iB1090C, iCVD1195

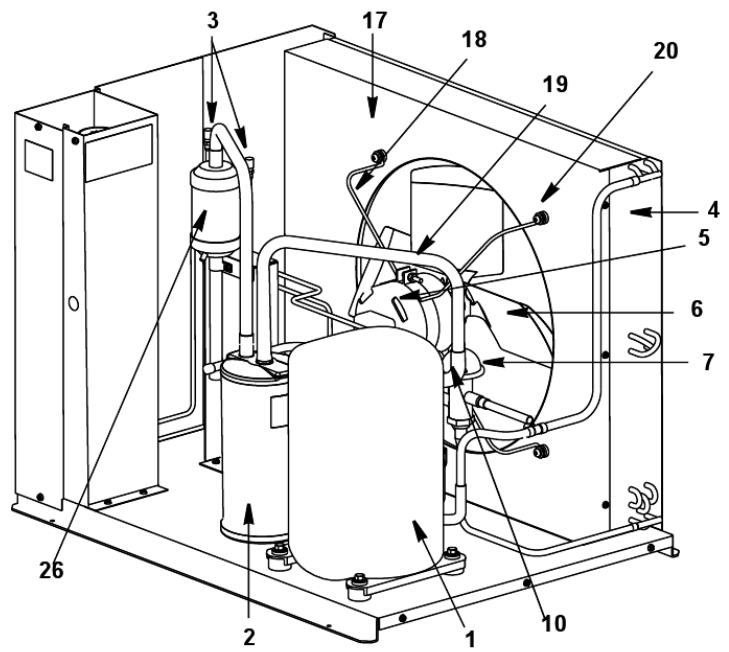
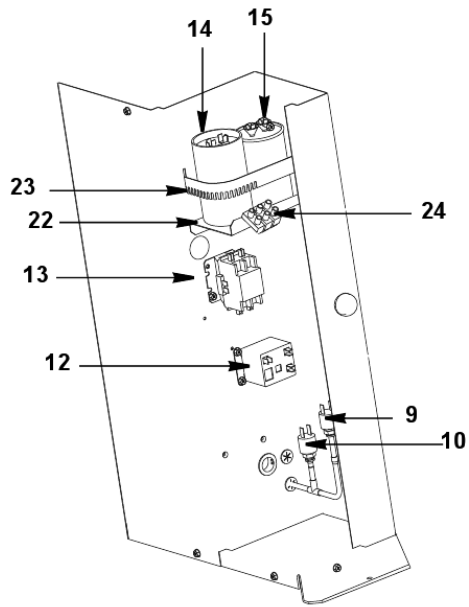
IB1090C HEAD SECTION PANELS

#	PART #	DESCRIPTION	QTY	Note
1	000007698	Front Panel		
1a	000007657	Top Endcap		
1b	000007658	Bottom Endcap		
2	000007718	Left Side Panel		
3		Back Panel		
3a	000006836	Back Panel Upper		
3b	000007555	Back Panel Lower		
4	000007938	Cover Top		
5	000007721	Right Side Panel		
6	5000399	Front Panel Screw		
6a	3718199	O-ring		
6b	5474919	Speed Nut Assembly to Mount Front Cover		[1]
6c	5429109	Cage Nut to Mount Front Panel		[2]
7	5202099	Screw - #10-24 x 0.50" PHIL		[3]
8	5000373	Screw - #10-24 x 0.50" PHIL		[4]
9	000007621	Top Angles		[5]
10	6054901	Bottom Angles		[5]
11	000000138	Front Angles		[6]
12		Corner Posts		
12a	000006834	Corner Post - Right		[7]
12b	000006835	Corner Post - Left		[8]
13		Front Panel LCD Frame		
13a	000007480	Front Panel LCD Frame With Key Guard		
13b	000007479	Front Panel LCD Frame Without Key Guard		
13c	K00433	Display Cover		[9]
14	000000550	Cartoning		

PART NOTES:

- [1] - Round Hole
- [2] - Square Hole
- [3] - Mounts Side Panels
- [4] - Mounts Rear Panels
- [5] - Right & Left
- [6] - Top & Bottom
- [7] - suction line/liquid line panel
- [8] - connection panel
- [9] - hides the display completely

ICVD1195 CONDENSING UNIT



IB1090C, iCVD1195

ICVD1195 CONDENSING UNIT

#	PART #	DESCRIPTION	QTY	Note
1		Compressor		
1a	000007748	Compressor - Bristol - 208-230V/60 Hz/1 Ph		
1b	000007749	Compressor - Bristol - 208-230V/60 Hz/3 Ph		
2	000007281	Suction Accumulator		
3	8373253	Access Valve		
4	8851393	Air-cooled Condenser		
5		Fan Motor		
5a	2000189	Fan Motor - 208-230V/60 Hz/1-3 Ph		
6	2416113	Fan Blade		
7	000001982	Head Pressure Control Valve		
8	000001289	Check Valve		
9	2001263	Fan Cycling Control - 200-250 psig		[1]
10	2001243	High Pressure Cut-out Control		
11	2002229	Low Pressure Cut-out Control		
12		Start Relay		
12a	000007761	Start Potential Relay - 60 Hz/1 Ph		
13		Contactator		
13a	000007597	Contactator - 50-60 Hz/1 Ph - 24 Volt Coil		
13b	000007598	Contactator - 60 Hz/3 Ph - 24 Volt Coil		
14		Start Capacitor		
14a	000006454	Start Capacitor - 50-60 Hz/1 Ph		
15		Run Capacitor		
15a	8503933	Run Capacitor - 115-230V/50-60 Hz/1 Ph		
16	000007581	Transformer		
17	6034491	Fan Shroud		
18	3006823	Fan Motor Mounting Bracket		
19	5033589	Mounting - Screw		
19a	5545119	Mounting - Lockwasher		
19b	5429529	Mounting - Hexnut		
20	5032389	Fan Bracket Mounting Screw		
20a	5545119	Mounting - Lockwasher		
20b	5573059	Mounting - Flatwasher		
20c	5429559	Mounting - Rubber Wellnut		
21	5202069	Screw - #10-24 x 0.50" HEX		[2]
22	6034981	Capacitor Mounting Bracket		
23	6021601	Capacitor Mounting Strap		
24		Terminal Block		
24a	000009929	Terminal Block - 60 Hz with Wiring Harness		
25	5202169	Screw - #10-24 x 0.50" Ground		
26	8250549	Suction Line Filter		
26a	000006484	Suction Line Filter Bracket		
27	000003447	Molded Plug		

IB1090C, iCVD1195

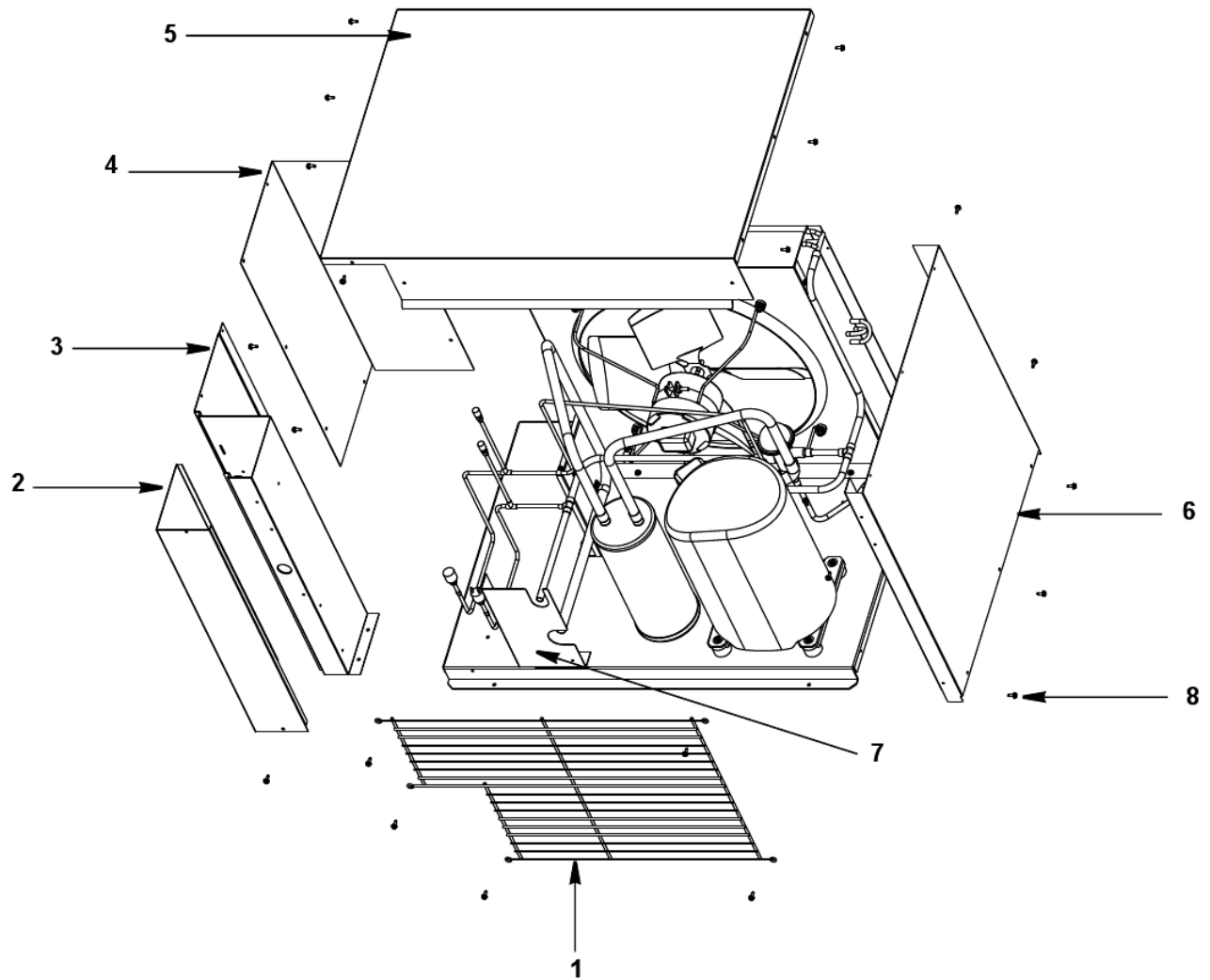
ICVD1195 CONDENSING UNIT

#	PART #	DESCRIPTION	QTY	Note
---	--------	-------------	-----	------

PART NOTES:

- [1] - \pages from 200126_09.jpg" width=150 height=306>
- [2] - Used for Panel Attachment - Not shown

ICVD1195 CONDENSING UNIT PANELS



IB1090C, iCVD1195

ICVD1195 CONDENSING UNIT PANELS

#	PART #	DESCRIPTION	QTY	Note
1	3406893	Condenser Fan Guard		
2	6040171	Control Box Cover		
3	000006035	Control Box Panel		
4	6037291	Left Side Panel		
5	6034751	Cover Top		
6	6034701	Right Side Panel		
7	6042261	Condensing Unit Tube Shield		
8	5202069	Screw - #10-24 x 0.50" HEX		
9	000000768	Cartoning		