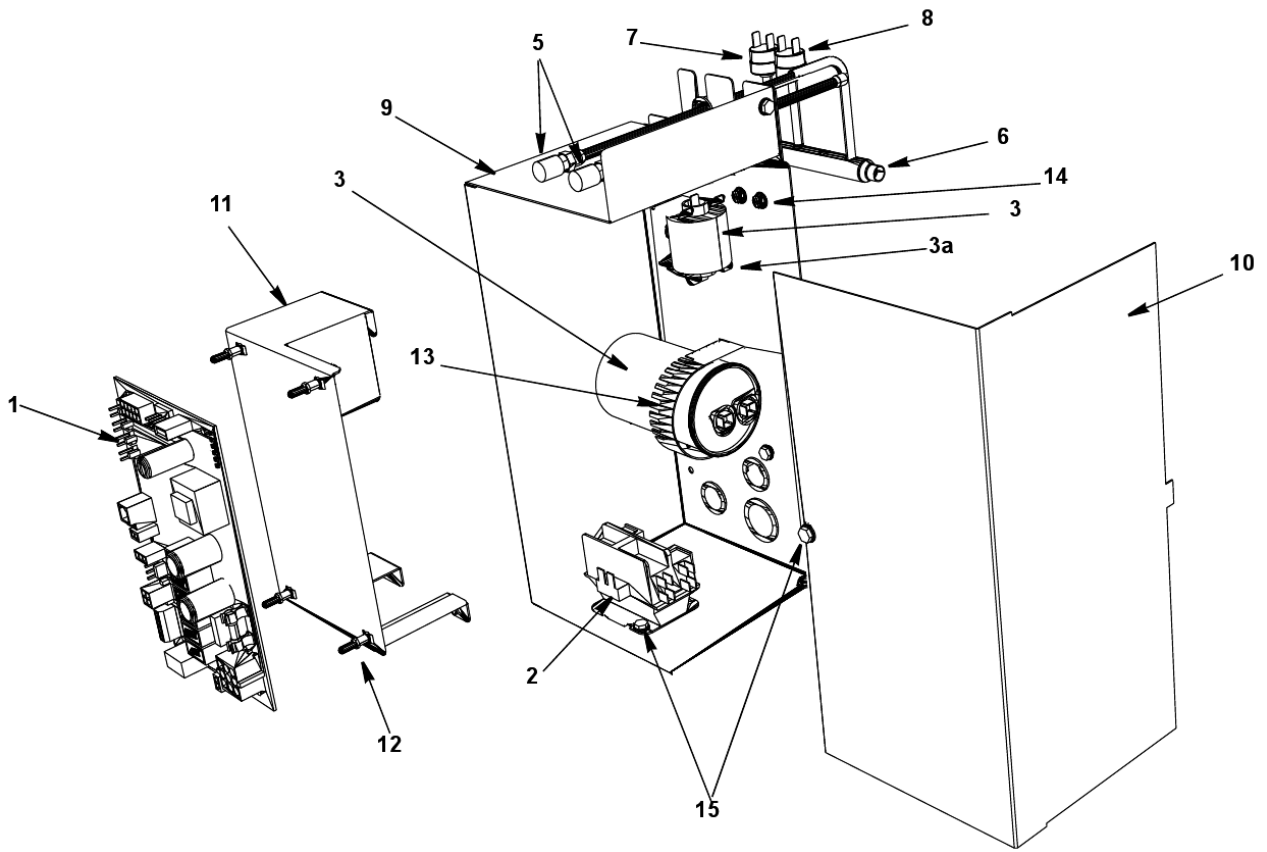


i0906, JC0995 Indigo

i0906 Control Box



i0906, JC0995 Indigo

i0906 Control Box

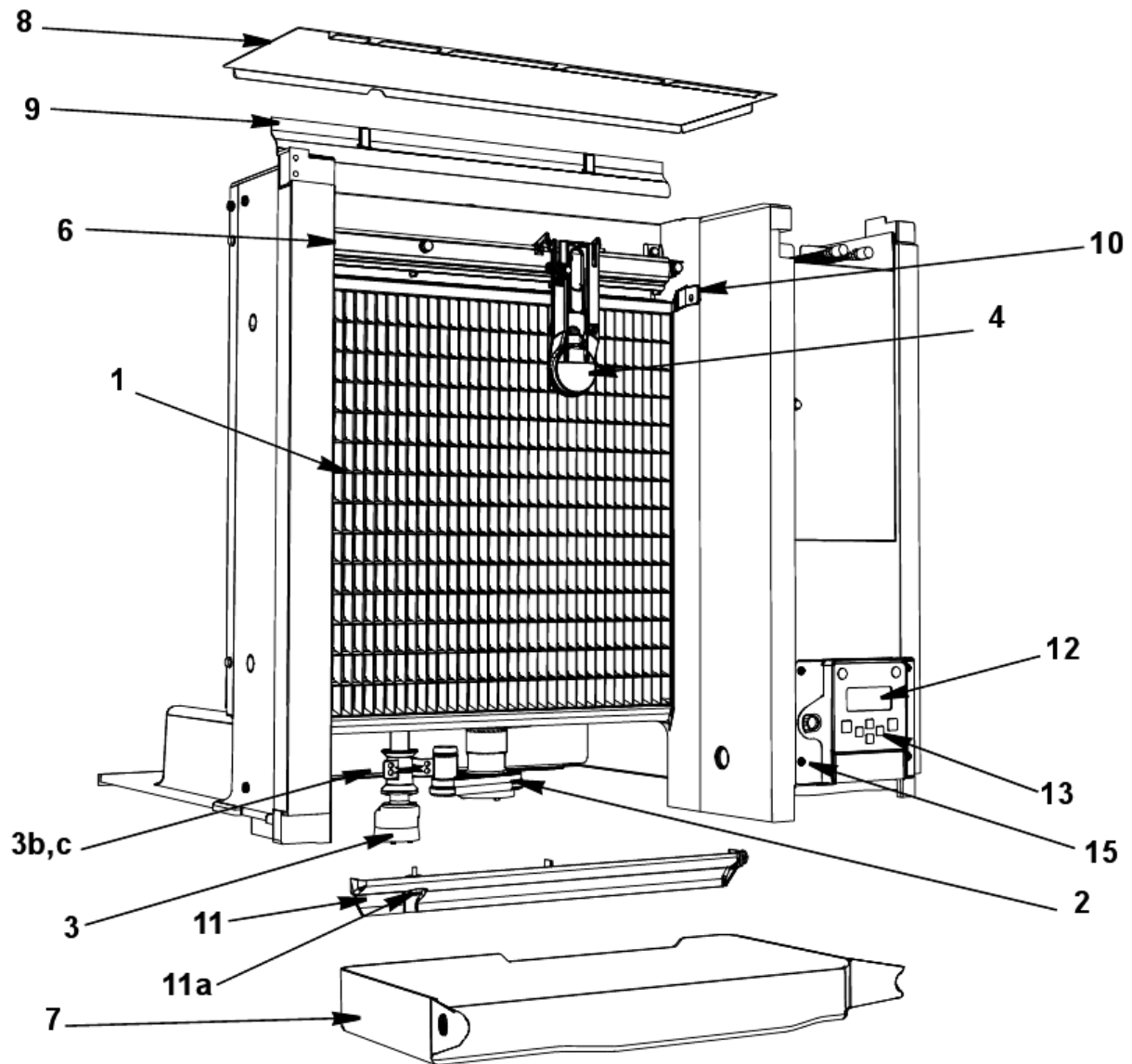
#	PART #	DESCRIPTION	QTY	Note
1	000008309	Control Board		
1a	000009181	Ceramic Fuse - 8A		
2		Contactors		
2a	2006599	Contactors - 230V/50-60 Hz/1 Ph		
2b	2006619	Contactors - 230V/60 Hz/3 Ph		
3	8504993	PTCR - 18A		
3a	8505013	PTCR Mounting Bracket - 10A		
4		Compressor Run Capacitor		
4a	8503933	Run Capacitor - 115-230V/50-60 Hz/1 Ph		[1]
4b	2010133	Run Capacitor - 115-230V/50-60 Hz		[2]
5	8373263	Refrigeration Service Valve Assembly - 0.375"		
6	8251049	Manifold Strainer		
6a	6058571	Bracket - Access Valves/Manifold Strainer		
7	000013579	High Pressure Cut-out (Auto-reset)		
8	000013509	Fan Cycling Control - 225-275 psig		[3]
9	000008279	Control Box		
10	000010421	Control Box Cover		
11	000007564	Control Board Mounting Bracket		
12	4302253	Control Board Mounting Supports		
13	6033131	Capacitor Mounting Bracket		
14	5202169	Screw - #10-24 x 0.5" Ground		
14a	5573209	Star Washer		
15	5202069	Screw - #10-24 x 0.5" HEX		
16	5573209	Star Washer		
17		Control Box Bushings		
17a	2500019	Bushing - 1.187"		
17b	2501409	Bushing - 0.875"		
18		Control Box Wiring Harness		
18a	000007179	Control Box Wiring Harness - 230V/60 Hz/1 Ph		
18b	000007181	Wiring Harness - Control Box - 3 Ph		
18c	000007180	Control Box Wiring Harness - 230V/50 Hz/1 Ph		
19		Compressor Compartment Wiring Harness		
19a	000007178	Compressor Compartment Wiring Harness - Air-cooled		
19b	000007176	Compressor Compartment Wiring Harness - Water-cooled		
19c	000007175	Compressor Compartment Wiring Harness - Remote Air-cooled		
20	000007772	Terminal Block - 6 Pole		[4]
21	000012569	Electronic Noise Filter - Korea		

PART NOTES:

- [1] - 208-230V/60 Hz/1 Ph
- [2] - 208-230V/50 Hz/1 Ph
- [3] - Refer to condenser parts for a fan cycle switch on remote units.
- [4] - Remote Only

i0906, JC0995 Indigo

i0906 Evaporator Compartment - Common Components



i0906 Evaporator Compartment - Common Components

i0906, JC0995 Indigo

i0906 Evaporator Compartment - Common Components

#	PART #	DESCRIPTION	QTY	Note
1		Evaporator Assembly		
1a	7602283	Evaporator - Dice Cube		
1b	7602273	Evaporator - Half Dice Cube		
1c	000011867	Evaporator - Regular Cube		
2		Water Pump - See Note for Usage		
2a	8251139	Water Pump - 230V/50-60 Hz		[1]
2b	8252709	Water Pump - 230V/50-60 Hz		[2]
3	000007052	Water Level Probe		
3a	000007724	Wire - Control Box to Water Level Probe		
3b	000007053	Water Level Probe - Holder		
3c	5202099	Screw - #10-24 x 0.5" PHIL		[3]
4	000008660	Ice Thickness Control Probe		
5	4010989	Water Curtain		
6	7602193	Water Distribution Tube - 30" L		
6a	5004649	O-Rings		[4]
7	000010337	Water Trough		
8	000009055	Foodzone Seal Panel - 30"		[5]
9	4008469	Evaporator Top Filler Panel		
9a	6063339	Bracket - Top Filler Panel		
9b	5202099	Screw - #10-24 x 0.5" PHIL		
10	7602203	Evaporator Top Frame Assembly		
11	7602213	Water Diverter - 30" Models		
11a	5305123	Thumbscrew SS - #8-32 x 0.44"		
12	000006728	LCD Display		
13	000007926	Touch Pad with Housing		
14	000007737	LCD Wiring Harness - 30" Long		
15	000006697	Touch Pad/Housing Mounting Bracket		
16		Front Panel LCD Frame		
16a	000006647	LCD Frame with Key Guard		
16b	000006564	LCD Frame without Key Guard		
16c	K00433	Display Cover		[6]
17	000006700	Ice Deflector		
18	5004799	Thumbscrew SS - #8-32 x 0.375"		[7]
18a	5004629	O-Ring - 0.125" ID		
19	5004619	Screw - #12-16 x 0.687"		
20	000010244	Water Pump Mount		
21	5004659	Water Pump Base O-Ring - 4.00" ID		
22	5004679	Water Pump Outlet O-Ring - 0.875" ID		

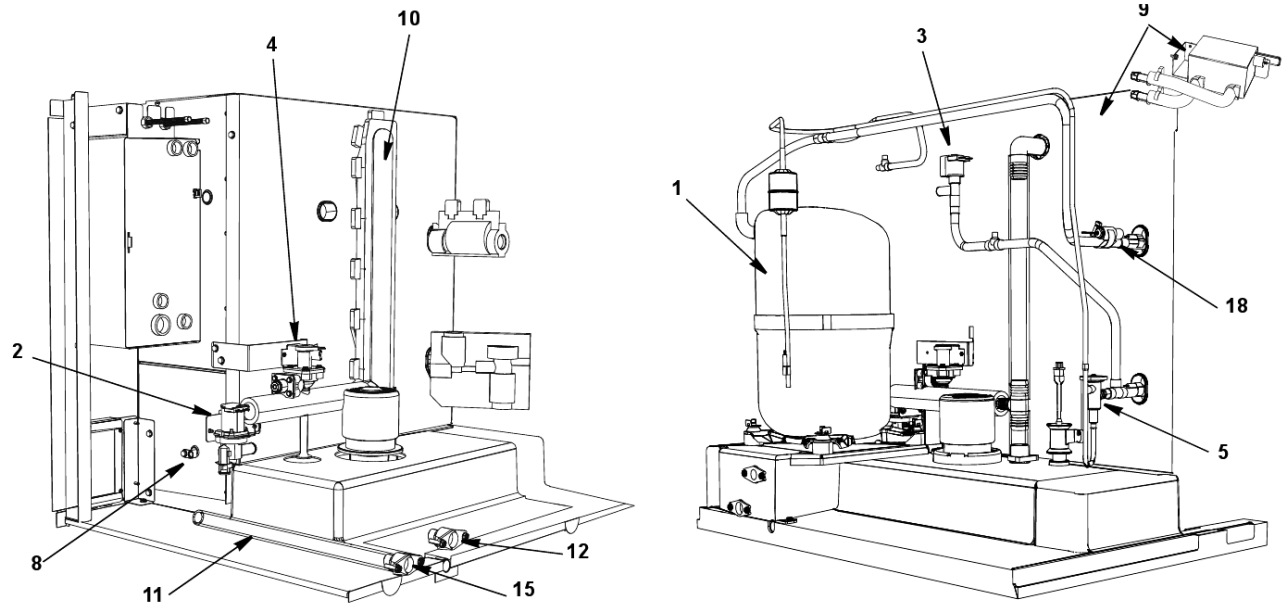
PART NOTES:

- [1] - 60 Hz
- [2] - 50 Hz
- [3] - Mount Water Level Probe Holder
- [4] - Back of Distribution Assembly
- [5] - Snaps into Place
- [6] - hides the display completely
- [7] - Water Distribution Tube Mounting

i0906 Evaporator Compartment - Common Components

i0906, JC0995 Indigo

i0906 Refrigeration Compartment - Common Components



i0906, JC0995 Indigo

i0906 Refrigeration Compartment - Common Components

#	PART #	DESCRIPTION	QTY	Note
1		Compressor		
1a	000011853	Compressor - Bristol - 230V/60 Hz/1 Ph		
1b	000011855	Compressor - Bristol - 230V/60 Hz/3 Ph		
1c	000011854	Compressor - Bristol - 230V/50 Hz/1 Ph		
1d	000005176	Molded Plug Wiring Harness - Compressor - Bristol		
1e	2008263	Compressor - Wiring Harness - 3 Ph		
2		Water Dump Valve		[1]
2a	000001768	Water Dump Valve - 208-230V/50-60 Hz		
2b	6058459	Water Dump Valve Mounting Bracket		
2c	4420383	Clear Tubing - 0.625" ID		
3		Harvest Valve		
3a	000007017	Solenoid Valve 0.5" x 0.5" Including 208-230V/50-60 Hz Electrical Coil		[2]
3b	000005157	Danfoss Solenoid Valve Coil Only - 230V/50-60 Hz		
4		Water Inlet Valve with Bracket		
4a	000009122	Water Inlet Valve - 208-230V/50-60 Hz		
5	000011866	Expansion Valve		
5a	000012443	Valve Insulation Boot - Body		
5b	000002719	Valve Insulation Boot - Bulb		
6	8373149	Magni-Check Valve - 0.375"		
7	000013459	Thermistor with Spring Clips		
8	000007888	Magnetic Bin Switch		
8a	000007410	Bin Switch Wiring Harness		
9		LuminIce Bulbs		
9a	K00425	LuminIce I - Bulb		
9b	K00454	LuminIce II - Bulb		
10	000003406	Insulated Tube		[3]
10a	5650609	Snap Clamp - 1.0" ID		
10b	5650709	Snap Clamp - 0.799"/0.899" ID		
11	000001382	Vinyl Tubing 0.625" ID		[4]
11a	6038831	Insulation - 0.88" ID x 0.25" W x 13.5" L		
11b	5650709	Snap Clamp - 0.799"/0.899" ID		
12	8706093	Female Wing Adapter - 0.375"		[5]
12a	1360961	Male Connector		
12b	4420291	Tygon Tube - 0.25" OD		
13	4010439	Tubing - Water Inlet Valve		
14	1360989	Connector - Water Inlet Valve		
15	000005423	Female Wing Adapter - 0.50"		
16		Compressor Mounting		
16a	6061709	Compressor Mounting Base		
16b	8503069	Mounting - Rubber Grommet		
16c	8503949	Mounting - Sleeve		
16d	5004819	Compressor Mounting - Bolt		
16e	5004829	Compressor Mounting - NutNut		
17	5650529	Clamp - Expansion Valve Bulb		
18	3000503	Strap - Expansion Valve Bulb - 0.5"		
19	5202069	Screw - #10-24 x 0.5" HEX		

i0906 Refrigeration Compartment - Common Components

i0906, JC0995 Indigo

i0906 Refrigeration Compartment - Common Components

#	PART #	DESCRIPTION	QTY	Note
20	000007223	Air Assist - 230V		

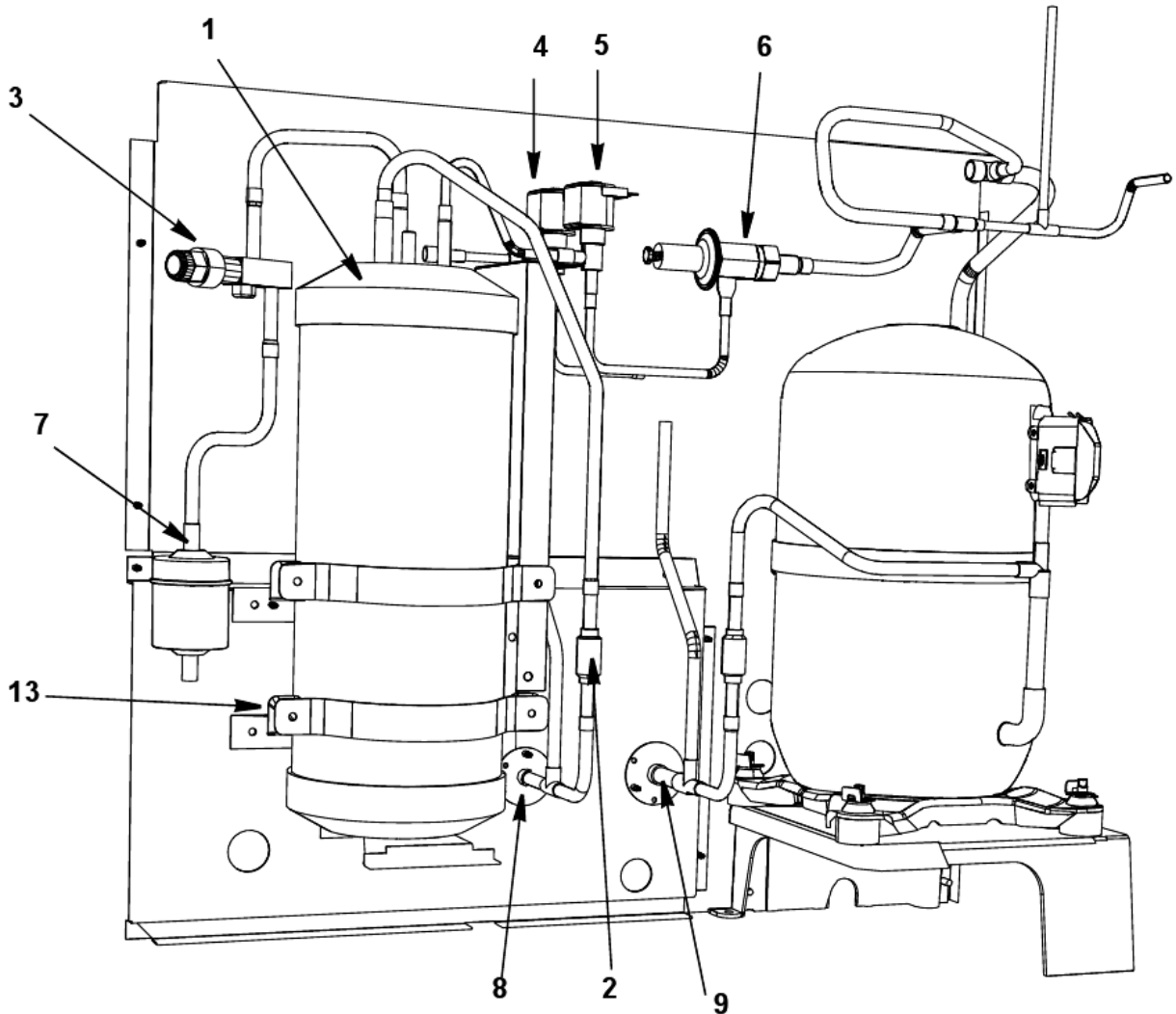
PART NOTES:

- [1] - with bracket
- [2] - With Screen
- [3] - vinyl tubing from distribution tube to water pump & dump valve
- [4] - dump valve to drain adapter
- [5] - Brass

If replacing a nylon fitting you must order 1360961

i0906, JC0995 Indigo

i0906 Refrigeration Compartment - Remote



i0906, JC0995 Indigo

i0906 Refrigeration Compartment - Remote

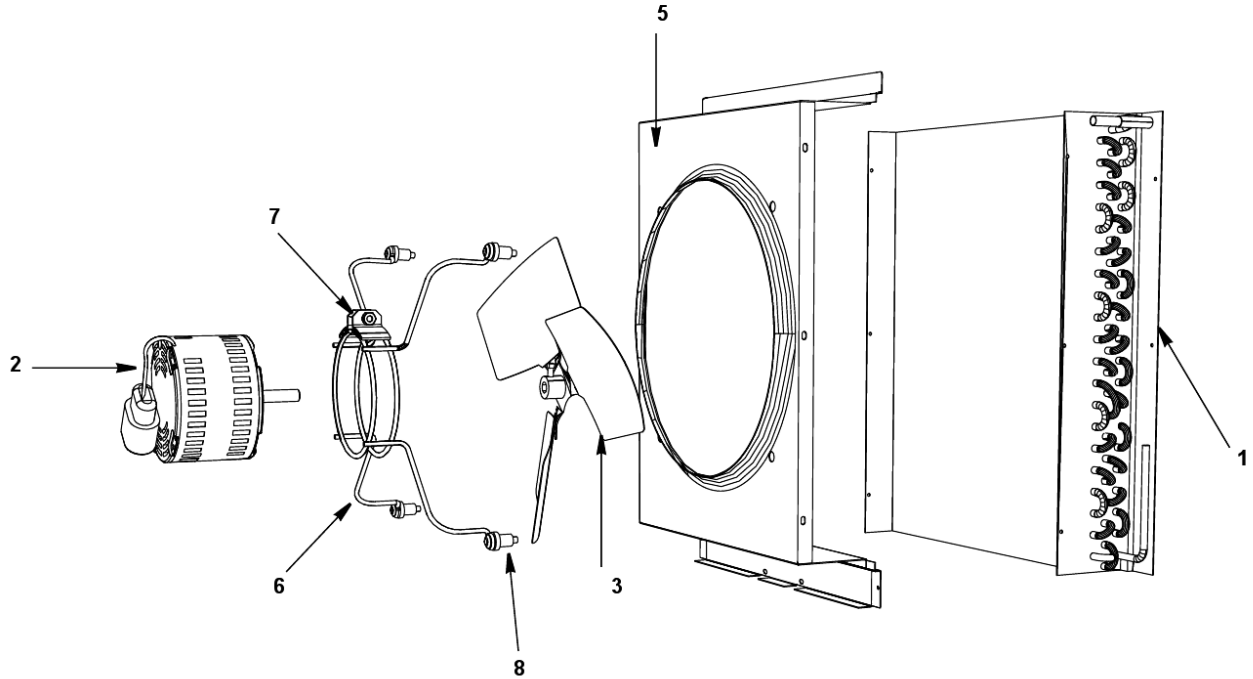
#	PART #	DESCRIPTION	QTY	Note
1	7629573	Receiver		
2	8373149	Magni-Check Valve - 0.375"		
3	8373169	Receiver Service Valve		
3a	5650753	Caps for Refrigeration Service Valve		
4		Liquid Line Solenoid Valve		
4a	000007032	Solenoid Valve 0.25" x 0.25" Including 208-230V/50-60 Hz Electrical Coil		[1]
4b	000005157	Danfoss Solenoid Valve Coil Only - 230V/50-60 Hz		
5		Harvest Pressure Regulating Valve		
5a	000015050	Solenoid Valve 0.25" x 0.25" Including 208-230V/50-60 Hz Electrical Coil		[2]
5b	000005157	Danfoss Solenoid Valve Coil Only - 230V/50-60 Hz		
6	8367793	Harvest Pressure Regulating Valve		
7	8930279	Drier		
8	8360343	Coupling - Male - 0.625"-18		
9	8360353	Coupling - Male - 1.17"-12		
10	8360053	Coupling Mounting Flange for 0.625"-18		
11	8360063	Coupling Mounting Flange for 1.17"-12		
12	5650619	Screw Mounting Base		
13		Receiver Mounting		
13a	6000561	Receiver Mounting Bracket		[3]
13b	6307214	Mounting Strap - Receiver		
13c	000006721	Support Bracket		
13d	6058659	Base, Water Condenser/Receiver		
13e	5202069	Screw - #10-24 x 0.5" HEX		

PART NOTES:

- [1] - Without Screen Danfoss
- [2] - With Screen
- [3] - between receiver and panel

i0906, JC0995 Indigo

i0906 Refrigeration Compartment - Air-cooled



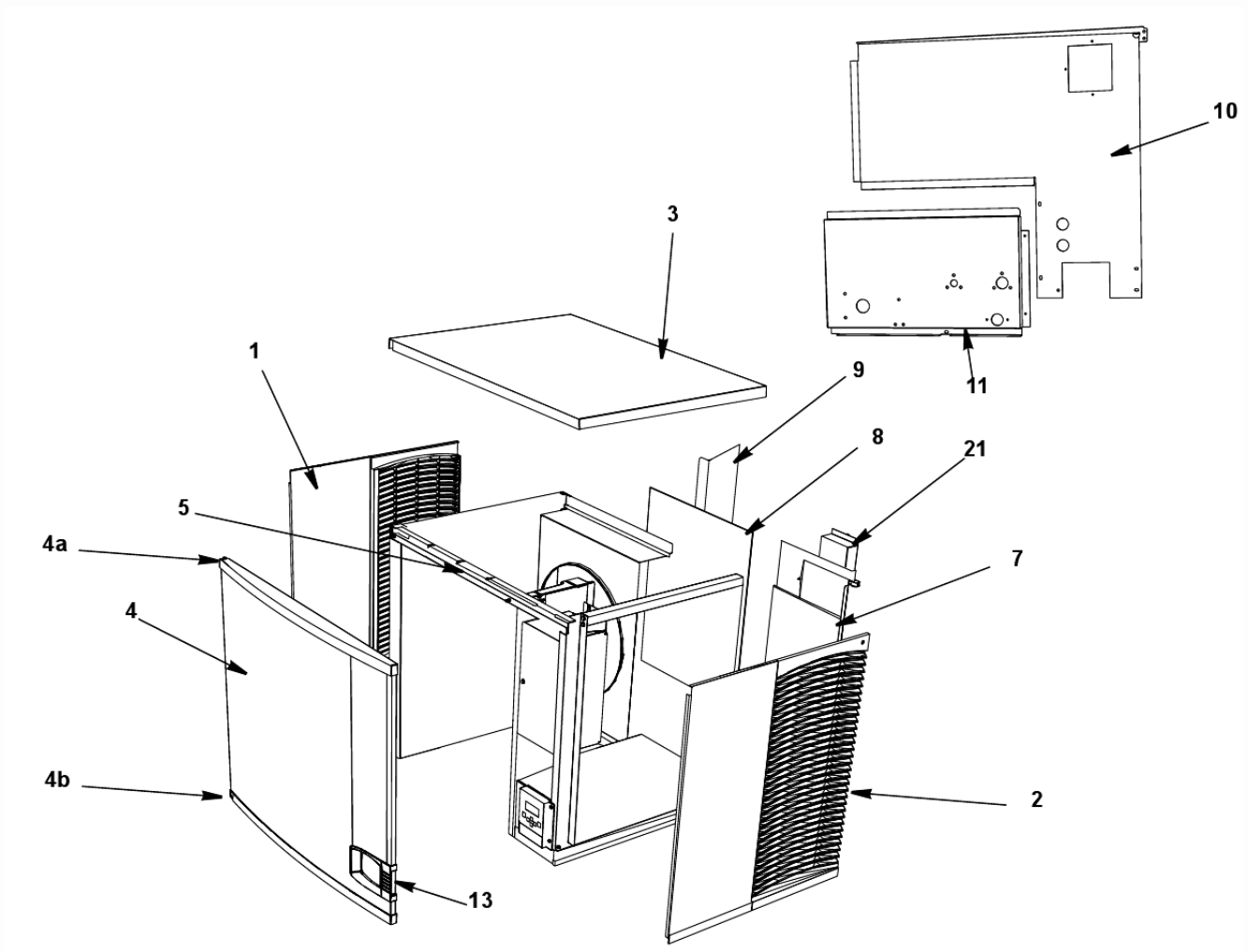
i0906, JC0995 Indigo

i0906 Refrigeration Compartment - Air-cooled

#	PART #	DESCRIPTION	QTY	Note
1	8252399	Air Condenser		
2		Fan Motor		
2a	7626723	Fan Motor - 200-230V/50-60 Hz		
3	2416123	Fan Blade		
4	8930259	Drier		
5	6058119	Fan Shroud		
6	3006843	Mounting Bracket - Fan Motor		
7	5033589	Screw		
7a	5545109	Lockwasher		
7b	5429529	Mounting - Hexnut		
8		Fan Bracket Mounting		
8a	5033589	Screw		
8b	5545109	Lockwasher		
8c	5573059	Flatwasher		
8d	5429559	Rubber Wellnut		
9	5202069	Screw - #10-24 x 0.5" HEX		

i0906, JC0995 Indigo

i0906 Panels



i0906, JC0995 Indigo

i0906 Panels

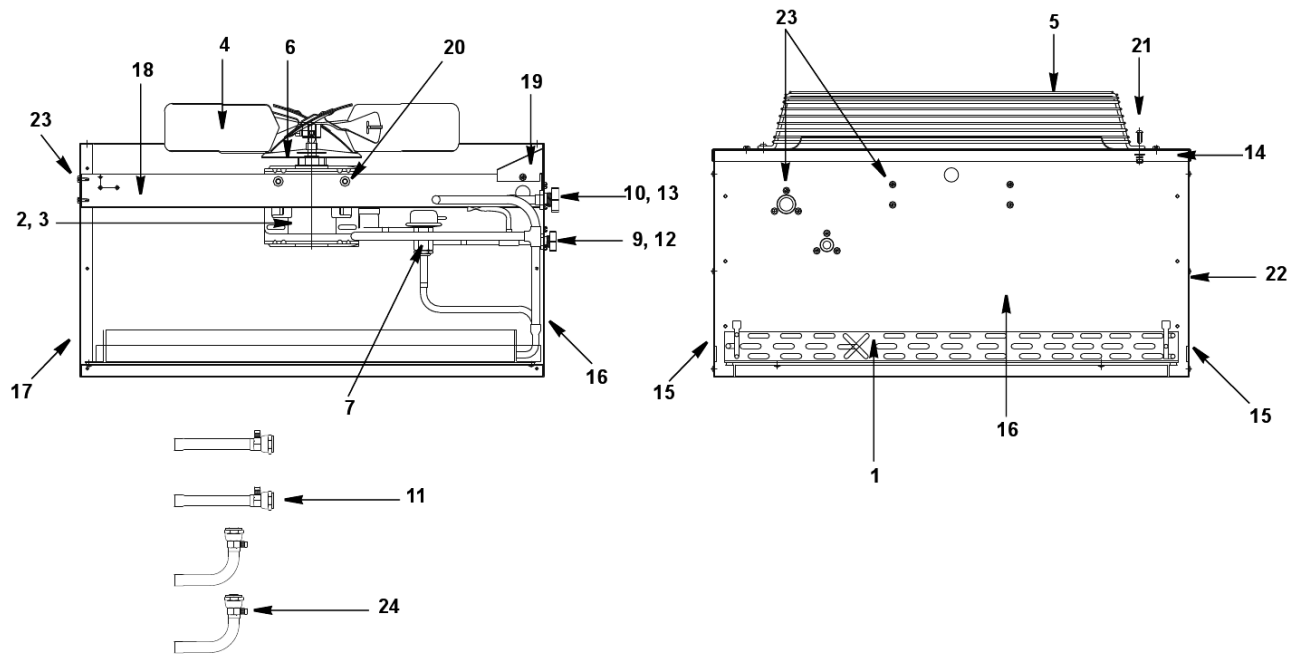
#	PART #	DESCRIPTION	QTY	Note
1	000012618	Left Side Panel - 26.5" H		
2	000012617	Right Side Panel - 26.5" H		
3	000006699	Top Cover		
4	000006578	Front Panel Assembly - 30" x 26.5"		
4a	000006538	Top Endcap		
4b	000006539	Bottom Endcap		
5	000010051	Front Top Support		
5a	5005379	Mounting Screw - #8-32 x 1.0" PHIL		
5b	5005099	Screw - #10-16 x 0.625"		
6	6061709	Compressor Mounting Base		
		Air-cooled Back Panels		
7	000007868	Back Panel with Electrical Connection Box, Air-cooled Models		
8	3005559	Air Filter - 17.18" x 21.88"		
9	000007502	Air Baffle Assembly		
		Water-cooled & Remote Air-cooled Back Panels		
10	000007870	Back Panel with Electrical Connection Box		
11	6061739	Back Coupling Panel - Water-cooled and Remote Air-cooled		
12	8706083	Female Wing Adapter - 0.50"		
13		Front Panel LCD Frame		
13a	000006647	LCD Frame with Key Guard		
13b	000006564	LCD Frame without Key Guard		
13c	K00433	Display Cover		[1]
14	5004899	Front Panel Screw		
15	7602263	Bottom Door Frame		
15a	5005379	Mounting Screw - #8-32 x 1.0" PHIL		
15b	5202099	Screw - #10-24 x 0.5" PHIL		
16	3005579	Left Door Pivot Leaf Hinge		[2]
16a	5005379	Mounting Screw - #8-32 x 1.0" PHIL		
16b	000001127	Tapping Plate - Door Hinge Screws		
17	6068649	Left Top Channel		
18	6062579	Right Top Channel		
19	000010300	Left Corner Post		
20	000010683	Right Corner Post		
21		Electrical Box on Rear of Ice Machine		
21a	6067289	Rear Connection Box		
21b	6067299	Cover - Rear Connection Box		
21c	2006143	Terminal Block - 50 Hz - 3 Pole		
21d	5202169	Screw - #10-24 x 0.50" Ground		
22	7112359	Cartoning		

PART NOTES:

- [1] - hides the display completely
- [2] - Top or Bottom

i0906, JC0995 Indigo

JC0995 Remote Condenser



i0906, JC0995 Indigo

JC0995 Remote Condenser

#	PART #	DESCRIPTION	QTY	Note
1	8850629	Air Condenser		
2	7629413	Fan Motor - 208-230V/50-60 Hz/1 Ph		
2a	000010658	Fan Motor - 200V		
3	8504583	Fan Motor Run Capacitor		[1]
4	2416113	Fan Blade		
4a	000010583	Fan Blade 18" Blower		[2]
5	3400643	Fan Guard		
6	2415053	Rain Slinger		
7	000004070	Head Pressure Control Valve		
8	000008040	Terminal Block - 3 Pole		
9	8360343	Coupling - Male - 0.625"-18		
10	8360353	Coupling - Male - 1.17"-12		
11	K00129	Female Line Set Coupling Kit		
12	8360053	Coupling Mounting Flange for 0.625"-18		
13	8360063	Coupling Mounting Flange for 1.17"-12		
14	6017751	Top Cover		
15	000000609	Panel - Side		
16	000000608	Panel - Rear		
17	000000607	Panel - Front		
18	6017681	Fan Motor Mounting Bracket and Bottom Bracket for Legs		
18a	000010657	Mounting Bracket - Fan Motor		[2]
19	6017761	Electrical Box Cover		
20	5035659	Fan Motor Mounting Screw		
20a	5573099	Mounting - Flatwasher		
20b	5573139	Lockwasher		
20c	5429759	Hexnut		
21	5033459	Screw - 0.25"-20 x 0.625"		
21a	5573049	Flatwasher		
21b	5545119	Mounting - Lockwasher		
21c	5429529	Mounting - Hexnut		
22	5121539	Panel/Condenser Mounting Screw - #8 x 0.50"		
22a	5544599	Panel/Condenser Mounting Lockwasher		
23	5202069	Screw - #10-24 x 0.5" HEX		
24	7626843	Valve Cores		[3]
25	000000718	Legs		[4]
26	7108369	Cartoning		
27	000013574	Fan Cycling Control - 200-250 psig		

PART NOTES:

- [1] - Emerson
- [2] - Used on 200V Models
- [3] - used in line sets
- [4] - Sold Individually