

Indigo Ice Machines

QuietQube[®], Ice/Beverage & iCVD[®]

Installation, Operation and Maintenance Manual

This manual is updated as new information and models are released. Visit our website for the latest manual.



Table of Contents

Section 1 General Information

Safety Notices	5
Procedural Notices	5
Read These Before Proceeding:	5
Model Numbers	7
Ice Deflector	7
How To Read A Full Model Number	8
Bin Installation	9
LuminIce™	9
Dispenser Installation	9
Control Panel Bezel	9

Section 2 Installation

Location Requirements	11
Minimum/Maximum Temperatures	11
Ice Machine Clearance Requirements	11
Condensing Unit Clearance Requirements	11
Installation Requirements	12
Removing Drain Plug and Leveling the Ice Storage Bin	12
Electrical Service	13
General	13
Fuse/Circuit Breaker	13
Minimum Circuit Ampacity	13
Ground Fault Circuit Interrupter	13
Electrical Requirements	14
ICVD Condensing Units	14
QuietQube® Ice Machine Head Section	15
Interconnecting wiring	16
Transformer Wiring	16
Water Supply and Drains	17
Potable Water Requirements	17
Drain Connections	17
Water Supply and Drain Line Sizing/Connections	17
Refrigeration System Installation	18
Refrigeration Line Set Installation	19
Additional Refrigerant Charge for 51' to 100' (15.5 to 30 meters) Line sets ...	23
Position Bin Thermostat Probe	
IB690C/IB890C/IB1090C Only	23
Before Starting the Ice Machine	23
Set the Time and Date	24
Factory Defaults	24
Operational Checks	25
General	25
Ice Thickness Check	25

**Section 3
Operation**

Control Panel Features	27
Buttons	27
Display Panel	27
Overview of Menu Navigation	28
Display Panel Navigation	29
Alerts and Messages	29
Main Menu	30
Machine Info Menu	30
Password Entry	30
Reset Password To Factory Defaults	30
Set-Up Menu	31
Language	31
Time & Date	31
Time Configuration	31
Units	32
Ice Clarity	32
LCD Brightness	32
Password On	32
Edit password	32
Clean Minder	32
AuCS Runtime	32
Air Filter	33
Water Filter	33
LuminIce™ Reminder	33
Ice Bin Level Sensor	33
USB Setup	33
Factory Defaults	33
Energy Saver Menu	34
Ice Program	34
Water Miser	34
Statistics	34
Factory Defaults	34
Service Menu	35
Data History	35
Real Time Data	35
Diagnostics	35
Manual Harvest	35
Ice Making Sequence Of Operation	36
Safety Limits	36
Safe Operation Mode	36
Operational Checks	37
General	37
Ice Thickness Check	37

Table of Contents (continued)

Section 4 Maintenance

Cleaning and Sanitizing	39
Cleaning/Sanitizing Procedure	39
Preventative Maintenance Cleaning Procedure	39
Exterior Cleaning	39
Cleaning / Sanitizing Procedure	40
Cleaning Procedure	40
Sanitizing Procedure	41
Parts Removal for Cleaning/Sanitizing	42
Preventative Maintenance Cleaning Procedure	45
Cleaning the Condenser	45
Removal from Service/Winterization	46
Door Removal	46

Section 5 Customer Support

Before Calling for Service Checklist	47
Safety Limit Feature	48
Commercial Ice Machine Warranty	49
Residential Ice Machine Limited Warranty	50

Section 1

General Information

Safety Notices

As you work on Manitowoc equipment, be sure to pay close attention to the safety notices in this handbook. Disregarding the notices may lead to serious injury and/or damage to the equipment.

Throughout this handbook, you will see the following types of safety notices:

Warning

Text in a Warning box alerts you to a potential personal injury situation. Be sure to read the Warning statement before proceeding, and work carefully.

Caution

Text in a Caution box alerts you to a situation in which you could damage the equipment. Be sure to read the Caution statement before proceeding, and work carefully.

Procedural Notices

As you work on Manitowoc equipment, be sure to read the procedural notices in this handbook. These notices supply helpful information which may assist you as you work.

Throughout this handbook, you will see the following types of procedural notices:

Important

Text in an Important box provides you with information that may help you perform a procedure more efficiently. Disregarding this information will not cause damage or injury, but it may slow you down as you work.

NOTE: Text set off as a Note provides you with simple, but useful, extra information about the procedure you are performing.

Read These Before Proceeding:

Caution

Proper installation, care and maintenance are essential for maximum performance and trouble-free operation of your equipment. Visit our website www.manitowocfsg.com for manual updates, translations, or contact information for service agents in your area.

Important

Routine adjustments and maintenance procedures outlined in this handbook are not covered by the warranty.

Warning

Read this manual thoroughly before operating, installing or performing maintenance on the equipment. Failure to follow instructions in this manual can cause property damage, injury or death.

Warning

Do not use electrical appliances or accessories other than those supplied by Manitowoc for your ice machine model.

Warning

Two or more people or a lifting device are required to lift this appliance.

Warning

This equipment contains high voltage electricity and refrigerant charge. Installation and repairs are to be performed by properly trained technicians aware of the dangers of dealing with high voltage electricity and refrigerant under pressure. The technician must also be certified in proper refrigerant handling and servicing procedures. All lockout and tag out procedures must be followed when working on this equipment.

Warning

Do not damage the refrigeration circuit when installing, maintaining or servicing the unit.

Warning
Do not operate equipment that has been misused, abused, neglected, damaged, or altered/modified from that of original manufactured specifications. This appliance is not intended for use by persons (including children) with reduced physical, sensory or mental capabilities, or lack of experience and knowledge, unless they have been given supervision concerning use of the appliance by a person responsible for their safety. Do not allow children to play with this appliance.

Warning
All covers and access panels must be in place and properly secured, before operating this equipment.

Warning
Do not obstruct machine vents or openings.

Warning
Do not store gasoline or other flammable vapors or liquids in the vicinity of this or any other appliance.

Warning
Do not clean with water jet.

Warning
It is the responsibility of the equipment owner to perform a Personal Protective Equipment Hazard Assessment to ensure adequate protection during maintenance procedures.

Warning
Two or more people are required to move this equipment to prevent tipping.

Warning
When using electric appliances, basic precautions must always be followed, including the following:

- a. Read all the instructions before using the appliance.
- b. To reduce the risk of injury, close supervision is necessary when an appliance is used near children.
- c. Do not contact moving parts.
- d. Only use attachments recommended or sold by the manufacturer.
- e. Do not use outdoors.
- f. For a cord-connected appliance, the following must be included:
 - Do not unplug by pulling on cord. To unplug, grasp the plug, not the cord.
 - Unplug from outlet when not in use and before servicing or cleaning.
 - Do not operate any appliance with a damaged cord or plug, or after the appliance malfunctions or is dropped or damaged in any manner. Contact the nearest authorized service facility for examination, repair, or electrical or mechanical adjustment.
- g. Follow applicable lock out tag out procedures before working on equipment.
- h. Connect to a properly grounded outlet only.

Warning
Manitowoc ice machines require a deflector when installed on an ice storage bin. Prior to using a non-Manitowoc ice storage system with Manitowoc ice machines, contact the manufacturer to assure their ice deflector is compatible with Manitowoc ice machines.

Warning
Remove all ice machine panels before lifting and installing.

Warning
Objects placed or dropped in the bin can affect human health and safety. Locate and remove any objects immediately.

Model Numbers

This manual covers the following models:

Ice Machine Head Section	ICVD® Condensing Unit
ID0682C ID0686C IY0684C IY0686C IB0694YC IB0696YC	ICVD0695
ID0686C IY0686C IB0696YC	ICVD0696
ID0872C IY0874C IB0894YC	ICVD0895
ID0876C IY0876C IB0896YC	ICVD0896
ID0976C IY0976C	ICVD0996
ID1072C IY1074C	ICVD1095

ID1076C IY1076C	ICVD1096
ID1176C IY1176C	ICVD1195
IB1094YC	ICVD1195
IB1096YC	ICVD1096
ID1472C IY1474C	ICVD1495
ID1476C IY1476C	ICVD1496
ID1872C IY1874C	ICVD1895
ID1876C IY1876C	ICVD1896
ID2172C IY2174C	ICVD2095
ID2176C IY2176C	ICVD2096

ICE DEFLECTOR

An ice deflector is required when the ice machine is installed on a bin. An ice deflector is not required when the ice machine is installed on a dispenser.

Warning

I1470C/I1870C/I2170C ice machines are not approved for use on Manitowoc B570 bins.

How To Read A Full Model Number

Full Model Number

Base Model Number

ICE CUBE SIZE

R - Regular
 D - Dice
 Y - Half-Dice
 Not Used On IB Models

CONDENSER TYPE

A - Self-Contained Air-Cooled
 W - Self-Contained Water-Cooled
 N - Remote Air-Cooled
 C - CVD Air-Cooled
 DC - IB Dice Model
 YC - IB Half Dice

ICE MACHINE MODEL

I - Indigo Model
 IB - Ice Beverage

Ice Machine Series

I Y 1000 W3

3 - Three Phase
 No Indicator - 1 Phase
 E - WRAS 50 Cycle Only

HERTZ

5 - 50HZ
 6 - 60HZ

D - Factory Use Only
 P - Correctional Model
 M - Marine Model

263 P H P X

VOLTAGE

161 - 115/60/1
 261 - 208-230/60/1
 251 - 230/50/1
 263 - 208-230/60/3
 463 - 460/60/3

HP - High Pressure Water
 Regulating Valve

X - LuminIce

BIN INSTALLATION

- All ice machines installed on a bin require an ice deflector.
- Manitowoc bins have a deflector installed and require no modifications when used with a forward facing evaporator.
- Ice machines with multiple evaporators require a deflector kit.

LUMINICE™

The LuminIce™ growth inhibitor recirculates the air in the ice machine foodzone over a UV bulb. This process will inhibit the growth of common micro-organisms on all exposed foodzone surfaces.

- LuminIce™ bulbs require replacement on a yearly basis.
- The control board can be set to automatically display a reminder after 12 months. Refer to LuminIce™ in section 3 for setup procedures.

Cleanup Procedure for Accidental Bulb Breakage

The cleanup procedure is identical to the procedure used to clean up compact fluorescent (CFL) or fluorescent tube lights. These lights contain a small amount of mercury sealed within a glass tube. Breaking these types of lights will release mercury and mercury vapor. The broken bulb can continue to release mercury vapor until it is cleaned up and removed.

The latest EPA procedures can be viewed on their website at www.epa.gov/cfl/cflcleanup.html.

DISPENSER INSTALLATION

- Ice Beverage ice machines require an adapter for all installations.
- No adapter is needed for machines that match the size of the dispenser unless required by the dispenser manufacturer.
- 30" ice machines ship with the deflector/baffle required for dispenser usage. No additional deflector/baffle is required, unless specified by the dispenser manufacturer.
- A bin thermostat to control ice level is recommended.

CONTROL PANEL BEZEL

The ice machine ships with two bezels:

- The standard bezel allows the display screen to be viewed and the menu, arrows and checkmark buttons can be accessed.
- The key guard bezel allows the display screen to be viewed and covers all buttons to prevent unauthorized settings from being entered. The ice machine door must be opened to access the control panel.

To change the bezel, open the ice machine door, remove the two screws securing the bezel and slide the bezel to the right while lifting forward.

An optional cover that completely hides the display is available as a sales kit, and is available through your local distributor or service company.

THIS PAGE INTENTIONALLY LEFT BLANK

Section 2 Installation



Warning

PERSONAL INJURY POTENTIAL

Remove all ice machine panels before lifting and installing.

Location Requirements

The location selected for the ice machine must meet the following criteria. If any of these criteria are not met, select another location.

- The location must be free of airborne and other contaminants.
- The location must not be near heat-generating equipment or in direct sunlight.
- The location must be capable of supporting the weight of the ice machine and a full bin of ice.
- The location must allow enough clearance for water, drain and electrical connections in the rear of the ice machine.
- The location must not obstruct airflow through or around the ice machine.
- The location must not allow exhaust fan heat and/or grease to enter the condenser.
- The location must allow electrical, water, drain and refrigeration tubing to enter the ice machine from the back.
- Local water conditions may require treatment of the water to inhibit scale formation, filter sediment, and remove chlorine odor and taste.

These ice machines are intended for use in household and similar applications such as:

- Staff kitchen areas in shops, offices and other work environments
- Clients in hotels, motels, farmhouses, bed and breakfast and other residential type environments
- Catering and similar non-retail applications

MINIMUM/MAXIMUM TEMPERATURES

Model	Minimum Air Temperature	Maximum Air Temperature
All Ice Machine Head Sections	35°F 2°C	110°F 43°C
ICVD0695 - ICVD0696 ICVD1195 - ICVD1196 ICVD2095 - ICVD2196	-20°F -29°C	120°F 49°C
ICVD0895 - ICVD0896 ICVD0996 ICVD1095 - ICVD1096 ICVD1495 - ICVD1496 ICVD1895 - ICVD1896	-20°F -29°C	130°F 54°C

ICE MACHINE CLEARANCE REQUIREMENTS

Model	Top	Back	Sides
I0600C - I0686C I0870C - I0876C I0976C I1070C - I1076C I1176C I1470C - I1476C I1870C - I1876C I2170C - I2176C	5" 13 cm	*3" - 5" *8 - 13 cm	5" 13 cm
IB0690C IB0890C - IB0896 IB1090C - IB1096	2" 5 cm	5" 13 cm	8" 20 cm
* Routing utilities out top - Routing utilities out back			
24" (61 cm) is recommended on all sides for servicing			

CONDENSING UNIT CLEARANCE REQUIREMENTS

Model	Top/Sides	Back	Front
ICVD0695 - ICVD696 ICVD0895 - ICVD896 ICVD0996 ICVD1095 - ICVD1096 ICVD1195 - ICVD1196 ICVD1495 - ICVD1496 ICVD1895 - ICVD1896 ICVD2095 - ICVD2096	*0" *0 cm	48" 122 cm	48" 122 cm
* 24" (61 cm) is recommended on top/sides for servicing			

Installation Requirements

- The ice machine top panel can be trimmed with an aviator snips to allow the line set, water line and electrical connections to exit the top. Only cut out what is needed, the back panel recess sheet metal must support the top panel.
- The ice machine and bin must be level.
- Vent the ice machine and bin drains separately.
- Bin drain termination must have an air gap.
- The water inlet and electrical connection must contain a service loop to allow future access.
- The drain line must contain a union or other suitable means of disconnection at the ice machine.
- The ice machine and bin must be sanitized after installation.
- Routine adjustments and maintenance procedures outlined in this manual are not covered by the warranty.

Removing Drain Plug and Leveling the Ice Storage Bin

1. Remove threaded plug from drain fitting.
2. Screw the leveling legs onto the bottom of the bin.
3. Screw the foot of each leg in as far as possible.

 **Caution**

The legs must be screwed in tightly to prevent them from bending.

4. Move the bin into its final position.
5. Level the bin to assure that the bin door closes and seals properly. Use a level on top of the bin. Turn the base of each foot as necessary to level the bin.
6. Inspect bin gasket prior to ice machine installation. (Manitowoc bins come with a closed cell foam gasket installed along the top surface of the bin.)
7. Remove all panels from ice machine before lifting and installing on bin. Remove both front panels, top cover, left and right side panels.

Electrical Service

GENERAL

Warning

All wiring must conform to local, state and national codes.

Warning

The ice machine and condensing unit must be grounded in accordance with national and local electrical codes.

All electrical work, including wire routing and grounding, must conform to local, state and national electrical codes. The following precautions must be observed:

- The ice machine must be grounded.
- A separate fuse/circuit breaker must be provided for each condensing unit.
- A qualified electrician must determine proper wire size dependent upon location, materials used and length of run (minimum circuit ampacity can be used to help select the wire size).
- The maximum allowable voltage variation is +/-10 of the rated voltage at compressor start-up (when the electrical load is highest).
- Check all green ground screws in the control box and verify they are tight before starting the ice machine.
- Verify polarity is correct. Incorrect polarity can lead to erratic ice machine operation and a safety issue. This is especially critical on 230 volt / 50 cycle ice machines.

Important

Observe correct polarity of incoming line voltage. Incorrect polarity can lead to erratic ice machine operation.

FUSE/CIRCUIT BREAKER

The ice machine head section and condensing unit are wired independently of each other.

A dedicated circuit and a separate fuse/circuit breaker are required for each ice machine and condensing unit.

MINIMUM CIRCUIT AMPACITY

The minimum circuit ampacity is used to help select the wire size of the electrical supply. (Minimum circuit ampacity is not the ice machine's running amp load.)

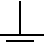
The wire size (or gauge) is also dependent upon location, materials used, length of run, etc., so it must be determined by a qualified electrician.

GROUND FAULT CIRCUIT INTERRUPTER

We do not recommend the use of a GFCI/GFI circuit protection with our equipment. If a GFCI/GFI is required by code use a GFCI/GFI breaker rather than outlet which is more prone to intermittent nuisance trips than panel circuit breakers.

For United Kingdom Only

As the colors of the wires in the mains lead of the appliance may not correspond with the colored markings identifying the terminals in your plug, proceed as follows:

- The wire which is colored green and yellow must be connected to the terminal in the plug which is marked with the letter E or by the earth ground symbol  or colored green or green and yellow.
- The wire colored blue must be connected to the terminal which is marked with the letter N or colored black.
- The wire colored brown must be connected to the terminal which is marked with the letter L or colored red.

Electrical Requirements

Local or state electrical code, length of wire run or materials used, can increase the minimum wire or breaker size requirement. A qualified electrician must determine the wire and breaker size, although the minimum wire size must meet or exceed the specifications in these charts. Refer to the condensing unit serial plate to verify electrical data.

Important

Due to continuous improvements, this information is for reference only. Please refer to the condensing unit serial number tag to verify electrical data. Serial tag information overrides information listed on this page.

 **Warning**

ICVD2095/ICVD2096 ONLY
Connect power supply wiring directly to L1 & L2 on the contactor. Torque screws to the torque value specification on the contactor label. Follow all local, state and national electrical codes.

ICVD CONDENSING UNITS

Condensing Unit	Voltage/Phase/Cycle	Maximum Fuse/ Circuit Breaker	Minimum Circuit Amps	Minimum Wire Size Required by Manitowoc
ICVD0695	208-230/1/60	15 amp	11.0	#12 Solid Copper Conductor
	208-230/3/60	15 amp	7.5	#12 Solid Copper Conductor
	230/1/50	15 amp	11.0	#12 Solid Copper Conductor
ICVD0696	208-230/1/60	15 amp	11.6	#12 Solid Copper Conductor
	208-230/3/60	15 amp	10.2	#12 Solid Copper Conductor
	230/1/50	15 amp	10.2	#12 Solid Copper Conductor
ICVD0895	208-230/1/60	20 amp	11.8	#10 Solid Copper Conductor
	208-230/3/60	15 amp	9.1	#12 Solid Copper Conductor
	230/1/50	20 amp	11.8	#10 Solid Copper Conductor
ICVD0896	208-230/1/60	20 amp	11.8	#10 Solid Copper Conductor
	208-230/3/60	15 amp	9.1	#12 Solid Copper Conductor
	230/1/50	20* amp	11.8	#10 Solid Copper Conductor
ICVD0996	208-230/1/60	20 amp	12.5	#10 Solid Copper Conductor
	208-230/3/60	15 amp	9.5	#12 Solid Copper Conductor
	230/1/50	20 amp	12.5	#10 Solid Copper Conductor
ICVD1095	208-230/1/60	20 amp	15.0	#10 Solid Copper Conductor
	208-230/3/60	15 amp	15.0	#12 Solid Copper Conductor
	230/1/50	20 amp	15.0	#10 Solid Copper Conductor
ICVD1096	208-230/1/60	20* amp	15.0*	#10 Solid Copper Conductor
	208-230/3/60	15* amp	15.0*	#12 Solid Copper Conductor
	230/1/50	20* amp	15.0*	#10 Solid Copper Conductor
ICVD1195	208-230/1/60	25 amp	14.5	#8 Solid Copper Conductor
	208-230/3/60	15 amp	9.3	#10 Solid Copper Conductor
	230/1/50	35 amp	15.7*	#8 Solid Copper Conductor
ICVD1195 Bristol Compressor	208-230/1/60	25 amp	14.2	#8 Solid Copper Conductor
	208-230/3/60	15 amp	9.5	#10 Solid Copper Conductor
	230/1/50	35 amp	15.7*	#8 Solid Copper Conductor
ICVD1196	208-230/1/60	35* amp	25.0*	#8 Solid Copper Conductor
	208-230/3/60	25* amp	20.0*	#10 Solid Copper Conductor
	230/1/50	35* amp	25.0*	#8 Solid Copper Conductor
ICVD1495	208-230/1/60	20 amp	20.0	#10 Solid Copper Conductor
	208-230/3/60	15 amp	15.0	#12 Solid Copper Conductor
	230/1/50	20amp	20.0	#8 Solid Copper Conductor

ICVD1496	208-230/1/60	20 amp	11.7	#10 Solid Copper Conductor
	208-230/3/60	15 amp	8.9	#12 Solid Copper Conductor
	230/1/50	20 amp	11.7*	#8 Solid Copper Conductor
ICVD1895	208-230/1/60	40 amp	25.0	#8 Solid Copper Conductor
	208-230/3/60	25 amp	20.0	#10 Solid Copper Conductor
	230/1/50	40 amp	25.0	#8 Solid Copper Conductor
ICVD1896	208-230/1/60	40* amp	25.0*	#8 Solid Copper Conductor
	208-230/3/60	25* amp	20.0*	#10 Solid Copper Conductor
	230/1/50	30* amp	20.0*	#8 Solid Copper Conductor
ICVD2095**	208-230/1/60	40 amp	30.0	#6 Solid Copper Conductor
	208-230/3/60	20 amp	20.0	#10 Solid Copper Conductor
ICVD2096**	208-230/1/60	50 amp	40.0	#6 Solid Copper Conductor
	208-230/3/60	30 amp	30.0	#10 Solid Copper Conductor

* Indicates preliminary data - Subject to change

**ICVD2095 Only - Verify the direction of the rotation is correct on the 3ph scroll compressor. The ice machine will have high suction pressure, low discharge pressure and will be noticeably loud. Reverse two incoming power leads to reverse rotation.

QUIETQUBE® ICE MACHINE HEAD SECTION

Ice Machine	Voltage Phase Cycle	Maximum Fuse/Circuit Breaker	Minimum Circuit Amps	Total Circuit Amps	**Minimum Wire Size Required by Manitowoc	Minimum Breaker Size Required by Manitowoc
I0600C - I0686C	115/1/60	15 amp	1.1	N/A	#14 Solid Copper Conductor	15 amp
	230/1/50	15 amp	1.5			15 amp
I0870C - I0876C	115/1/60	15 amp	1.1	N/A	#14 Solid Copper Conductor	15 amp
	230/1/50	15 amp	1.5			15 amp
I0970C	115/1/60	15 amp	1.1	N/A	#14 Solid Copper Conductor	15 amp
	230/1/50	15 amp	1.5			15 amp
IB0600C IB0870C - IB0876C IB1070C - IB1076C	115/1/60	15 amp	N/A	1.1	#14 Solid Copper Conductor	15 amp
	230/1/50	15 amp		1.5		15 amp
I1070C - I1076C I1176C	115/1/60	15 amp	1.1	N/A	#14 Solid Copper Conductor	15 amp
	230/1/50	15 amp	1.5			15 amp
I1470C - I1476C I1870C - I1876C I2170C - I2176C	115/1/60	15 amp	1.1	N/A	#14 Solid Copper Conductor	15 amp
	208-230/1/60	15 amp	0.8			15 amp
	230/1/50	15 amp	1.5			15 amp

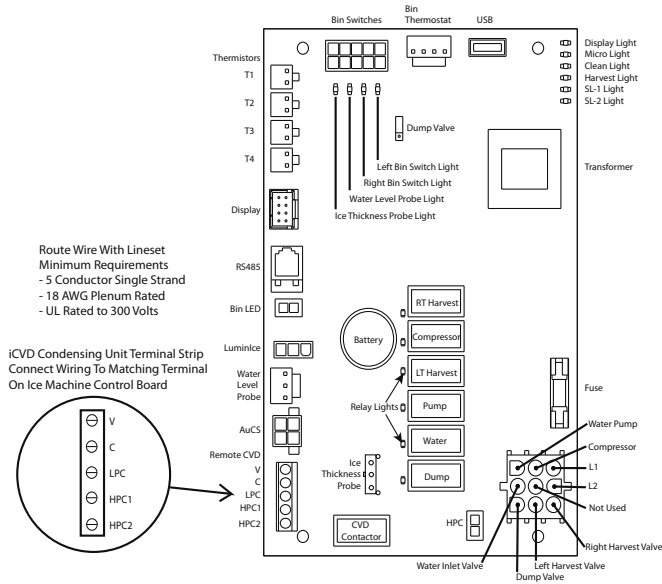
** All conductors must be solid copper wire

INTERCONNECTING WIRING

Indigo QuietQube ice machines require interconnecting low voltage wiring (included with Manitowoc line sets) to energize the contactor coil and verify the LPCO & HPCO are closed. This circuit also initiates a time delay whenever the LPCO or HPCO open. Failure to properly wire the ICVD condensing unit or ice machine head section will result in a non-operational machine. Refer to the Indigo Technicians Handbook for normal operation and diagnostics for the HPCO & LPCO controls. Connections on an RDI condensing unit are identical to the ICVD connections.

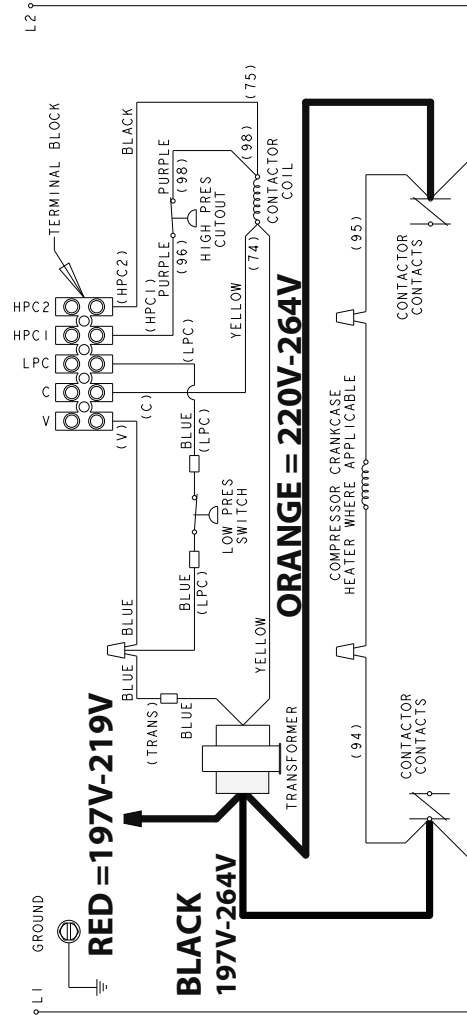
Wire Specifications:

- 18 AWG - 5 Conductor, Single Strand
- Plenum Rated
- UL rated to 300 Volts



TRANSFORMER WIRING

ICVD transformers leave the factory wired for a 240V supply voltage. When connecting to a 208V supply voltage, the transformer must be rewired to maintain a 24V secondary voltage. Failure to correctly wire the transformer can result in premature transformer failure.



Water Supply and Drains

POTABLE WATER REQUIREMENTS

Local water conditions may require treatment of the water to inhibit scale formation, filter sediment, and remove chlorine odor and taste.

Follow these guidelines to install water inlet lines:

- Plumbing must conform to local codes.
- Do not connect the ice machine to a hot water supply. Be sure all hot water restrictors installed for other equipment are working. (Check valves on sink faucets, dishwashers, etc.)
- If water pressure exceeds the maximum recommended pressure of 80 psig (552 kPa), obtain a water pressure regulator from your Manitowoc distributor.
- Install a water shut-off valve and union for potable water and water cooled condenser lines.
- Insulate water inlet lines to prevent condensation.

Warning

Connect to a potable water supply only.
Plumbing must conform to local and national codes.

Caution

Do not apply heat to the water inlet fitting. Heat will damage the plastic water inlet connection inside the ice machine.

DRAIN CONNECTIONS

- Drain lines must have a 1.5 inch drop per 5 feet of run (2.5 cm per meter), and must not create traps.
- The floor drain must be large enough to accommodate drainage from all drains.
- Run separate bin and ice machine drain lines. Insulate them to prevent condensation.
- Vent the bin and ice machine drain to the atmosphere. The ice machine drain requires an 18" vent. Do not vent the condenser drain on water-cooled models.
- Drains must have a union or other suitable means to allow in place disconnection from the ice machine when servicing is required.
- Base drain - Use 1/2" CPVC tubing and silicone sealant to connect to this optional drain.

WATER SUPPLY AND DRAIN LINE SIZING/CONNECTIONS

Location	Water Temperature	Water Pressure Min/Max	Ice Machine Fitting	Minimum Tubing Size Up to Ice Machine Fitting
Ice Making Water Inlet	35°F (2°C) Min. 90°F (32°C) Max.	20 / 80 psi 140 / 550 kPa	3/8" FPT	3/8" (10 mm) ID
Ice Making Water Drain	----	----	1/2" FPT	1/2" (13 mm) ID
Bin Drain	----	----	3/4" FPT	3/4" (19 mm) ID
Large Capacity Bin Drain	----	----	1" FPT	1" (25 mm) ID
FPT = Female Pipe thread		ID = Inside Diameter	Min = Minimum	Max= Maximum

Refrigeration System Installation

QuietQube® Ice Machine	Remote Single Circuit Condenser	Line Set*
I0680C IB690C	ICVD0695	RC-26 RC-36 RC-56
I0870C IB890C	ICVD0895	
I0970C	ICVD0996	
I1070C	ICVD1095	
I1176C IB1090C	ICVD1195	
I1470C	ICVD1495	RC-25 RC-35 RC-55
I1870C	ICVD1895	RC-28 RC-38 RC-58
I2170C	ICVD2095	

*Line Set	Suction Line	Liquid Line	Minimum Insulation Thickness
RC 26/36/56	5/8 inch (16 mm)	3/8 inch (10 mm)	1/2" (13mm) Suction Line 1/4" (7mm) Liquid Line
RC 25/35/55	3/4 inch (19 mm)	1/2 inch (13 mm)	1/2" (13mm) Suction Line 1/4" (7mm) Liquid Line
RC 28/38/58	3/4 inch (19 mm)	5/8 inch (16 mm)	1/2" (13mm) Suction Line 1/4" (7mm) Liquid Line

Important

Manitowoc remote systems are only approved and warranted as a complete new package. Warranty on the refrigeration system will be void if a new ice machine head section is connected to pre-existing (used) tubing or condensing units or vice versa.

⚠ Caution

The refrigeration system warranty will not apply if the Manitowoc Ice Machine and Manitowoc ICVD Condensing Unit are not installed according to specifications. This warranty also will not apply if the refrigeration system is modified with a condenser, heat reclaim device, or other parts or assemblies not manufactured by Manitowoc.

Ice Machine Refrigerant Amounts

ICE MACHINE HEAD SECTION

Each ice machine head section ships from the factory with a R-404A refrigerant charge appropriate for the entire system operation. The serial tag on the ice machine indicates the refrigerant charge.

The refrigerant charge is sufficient to operate the ice machine at all ambients with lineset lengths up to 100 feet (30 m).

⚠ Warning

Potential Personal Injury Situation

The ice machine head section contains the refrigerant charge. Installation and brazing of the line sets must be performed by a properly trained and EPA certified refrigeration technician aware of the **dangers of dealing with refrigerant** charged equipment.

⚠ Warning

Installation of a QuietQube® Condensing Unit may require the use of special equipment for placement. Trained and qualified personnel are required for proper rigging and lifting. Holes are provided on the corners of the condensing unit to allow the use of lifting shackles.

REFRIGERATION LINE SET INSTALLATION

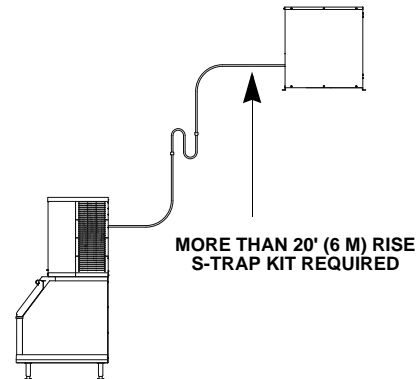
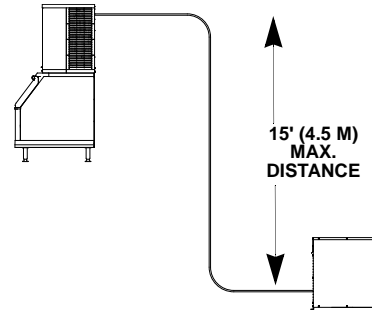
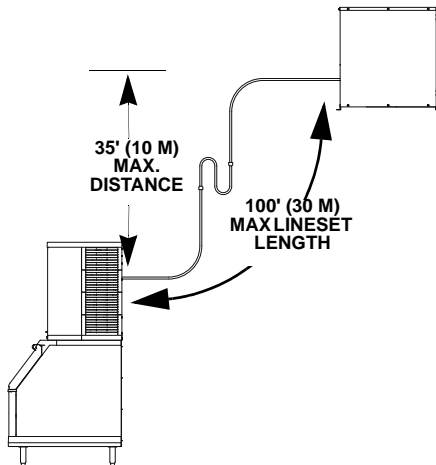
The following requirements assure proper oil return. The refrigeration line set installer must be certified/ licensed in refrigerant handling and servicing.

Warning
 The ice machine head section contains refrigerant charge. The ice machine head section contains refrigeration valves that **must remain closed** until proper installation of the line sets is completed.

Warning
 Electrical power to the ice machine head section and ICVD® condensing unit must be disconnected before proceeding.

Step 1 Lineset Requirements

- Maximum lineset length is 100' (30 m).
- Maximum rise is 35' (10 m).
- Maximum drop is 15' (4.5 m).
- A suction line oil trap is required when rise is more than 20' (6 m).
- Maximum lineset exposed on rooftop is 25% of total line set length.
- Only one trap is allowed in the lineset.
- Shorten the lineset as required, do not coil lineset.
- A qualified person must perform all roof penetrations.



Manitowoc S-Trap Kit

Model	S-Trap Kit Number	Tubing Size
I0680C I0690C I0870C I0890C I0970C I1070C	K00172	5/8 inch (15.9 mm)
IB1090C I1470C I1870C I2170C	K00166	3/4 inch (19.1 mm)

Step 2 Secure Condenser

Through holes are provided to secure the condenser to a curb, rack, or wooden timber.

Step 3 Route Refrigeration Tubing

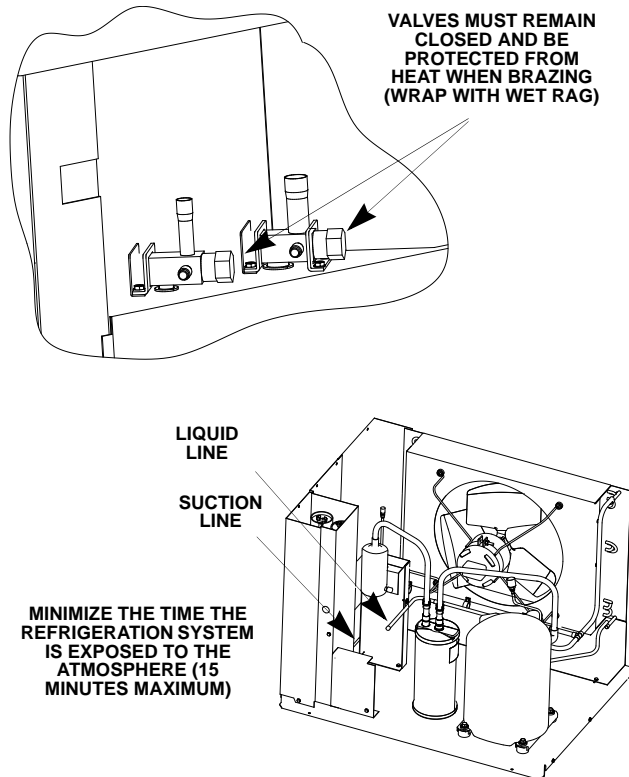
Properly route refrigeration tubing between the ice machine head section and the ICVD® condensing unit.

The line set can be routed for entry through the top or rear of the ice machine head section.

- Top routing requires the cover to be trimmed.
- Rear routing may require the use of 90° elbows.

Step 4 Connect the line set

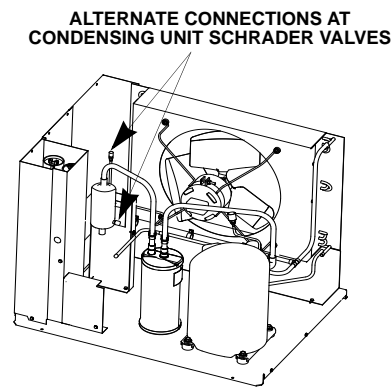
- Maximum amount of time the refrigeration system can be exposed to the atmosphere is 15 minutes.
- Purge line set with dry nitrogen while brazing.
- Line set shut off valves on the ice machine must remain closed and be protected from heat during brazing.
- The condensing unit ships with a 50/50 mixture of nitrogen/helium.



Step 5 Pressure Test and Evacuate Line Set and ICVD Condensing Unit

- Lineset shutoff valves must remain closed until pressure testing and evacuation are complete.
- Schrader valve core removal tools that allow for removal and installation of the valve cores without removing manifold gauge set hoses are recommended to decrease the evacuation time.
- Pressure test @ 150 psi (1000 kPa) for a minimum of 15 minutes.
- Minimum evacuation level is 500 microns.

Pressure test the line sets and ICVD[®] Condensing Unit with 150 psig of dry nitrogen. Add nitrogen at the line set shut-off valves located at the back of the ice machine head section or from the schrader valves located in the ICVD[®] Condensing Unit. Complete the pressure test, verify no leaks are present and remove the nitrogen from the system before connecting the vacuum pump.



A check valve is present in the compressor discharge line. The check valve requires evacuation connections at 4 points.

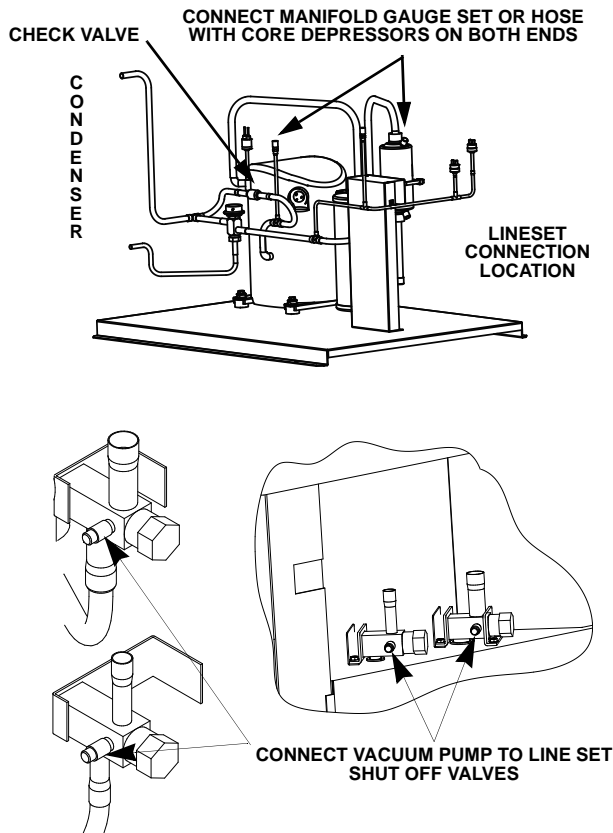
Ice Machine Head Section

1. Low Side Access Valve
2. High Side Access Valve

ICVD Condensing Unit

3. Compressor Discharge Access Valve
4. Suction Filter Access Valve

Connection of a manifold gauge set (or a hose with core depressors on both ends) between the suction filter access port and the compressor access valve (located between the compressor and discharge line check valve) is required.



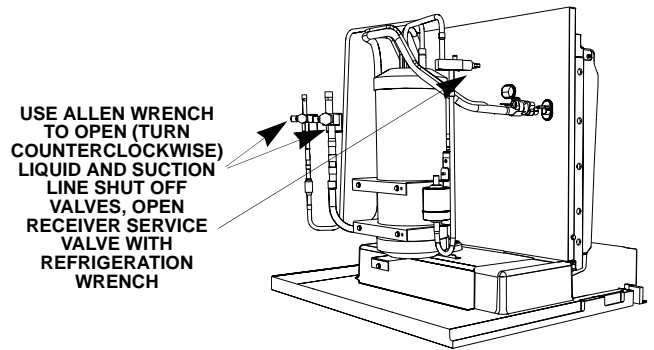
Step 6 Open Lineset and Receiver Valves

You will not hear refrigerant flow when the valves are opened. Refrigerant will not flow until the ice machine is started and the solenoid valve opens.

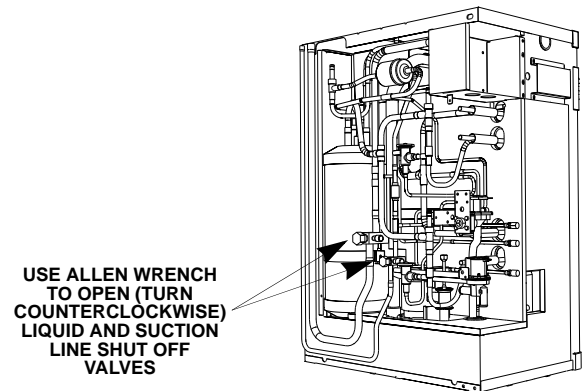
- All valve caps must be reinstalled, tightened and leak checked to assure no refrigerant leakage exists.
- Counterclockwise opens all valves:
 - A. Refer to chart and open the suction and liquid line shut off valves the correct number of 360° turns.

Valve Tubing Size	Number of Turns To Open
3/8"	6
1/2" 5/8" 3/4"	10
7/8"	14

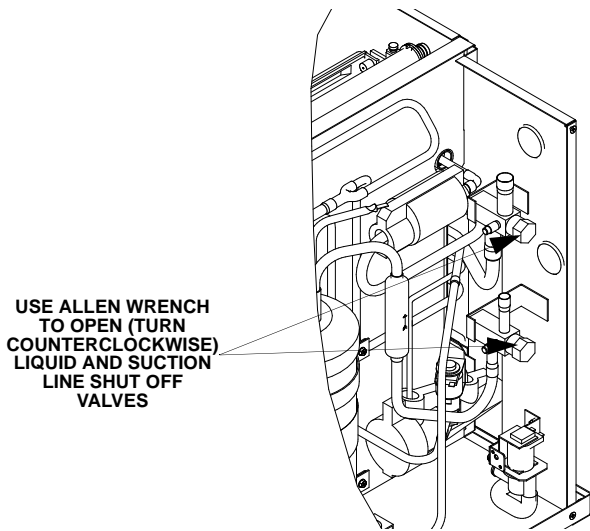
- B. 30" single evaporator machines only - Open the receiver service valve until backseated. Some models may have two receivers, although one receiver service valve is used.



30" Single Evaporator Models



Ice Beverage Models



30" Dual Evaporator Models

Caution

After opening suction, discharge and receiver service valves, refrigerant pressure will not be detected until the ice machine starts a freeze cycle and the solenoid valves energize.

Step 7 Connect wiring to condensing unit and ice machine head section

Attach wiring to terminal strip in condensing unit control box and control board in ice machine head section. Rewire transformer when supply voltage is 208V/60HZ/ 1PH and match low voltage wire connections in ICVD condensing unit to ice machine control board connections (See page 16). Connections on an RDI condensing unit are identical to the ICVD connections

Step 8 Leak Check The Refrigeration System

- A. Connect power to the ice machine head section - Do not connect power to the ICVD condensing unit.
- B. Press the power switch and energize the ice machine for 60 seconds to equalize pressures.
- C. Disconnect power to the ice machine head section.
- D. Leak check lineset connections, S trap and all factory joints in head section and condensing unit.
- E. Connect power to the ICVD condensing unit and allow system to pump down.

Step 9 Insulation Requirements

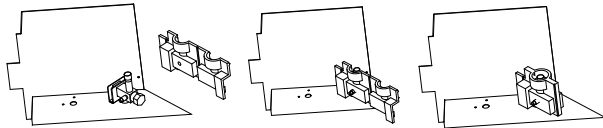
- To prevent condensation the entire suction line including the shut-off valve must be insulated.
- All insulation must be airtight and sealed at both ends.

The following insulation requirements prevent condensation at 90°F (32.2°C) ambient 90% Relative Humidity. If higher humidity is expected, increase insulation thickness:

Suction Line	Liquid Line	Min. Insulation Thickness
3/4 inch (19.1 mm)	1/2 inch (12.7 mm)	1/2" (13 mm) Suction Line
5/8 inch (15.9 mm)	3/8 inch (9.5 mm)	1/4" (7 mm) Liquid Line
3/4 inch (19.1 mm)	5/8 inch (15.9 mm)	3/4" (19 mm) Suction Line 1/4" (7 mm) Liquid Line

Suction Shut Off Valve Insulation

The pre-formed suction shut-off valve insulation is located in the plastic bag taped to the water curtain.



ADDITIONAL REFRIGERANT CHARGE FOR 51' TO 100' (15.5 TO 30 METERS) LINE SETS

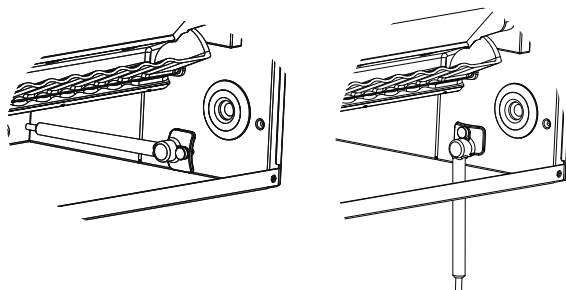
Additional refrigerant is required for the models listed below when the line set length exceeds 50' (15 meters)

Ice Machine	Condensing Unit	Additional Amount of Refrigerant To Be Added To Nameplate Charge
I0680C IB0690C	ICVD0695	1.5 lbs - 680 g
I0870C IB0890C	ICVD0895	4 lbs - 1814g
I0970C I1070C	ICVD0996 ICVD1095	4 lbs - 1814g 2 lbs - 907g
IB1090C/I1176C	ICVD1195	2 lbs - 907g
I1470C	ICVD1495	2 lbs - 907g
I1870C	ICVD1895	2 lbs - 907g
I2170C	ICVD2095	4 lbs - 1814g

**POSITION BIN THERMOSTAT PROBE
IB690C/IB890C/IB1090C ONLY**

The thermostat probe must be moved from the shipping to ice making position.

- The bin thermostat probe must be rotated down to enable ice contact and proper operation.
- The control requires programming see bin sensor page 30
 1. Loosen thumbscrew securing probe.
 2. Rotate the probe from horizontal to vertical position.
 3. Tighten thumbscrew.



Before Starting the Ice Machine

All Manitowoc ice machines are factory-operated and adjusted before shipment. Normally, new installations do not require any adjustment.

To ensure proper operation, follow the Operational Checks in Section 3 of this manual. Starting the ice machine and completing the Operational Checks are the responsibilities of the owner/operator.

Adjustments and maintenance procedures outlined in this manual are not covered by the warranty.

- Set the date and time for your area and refer to the Operation section to verify the control board settings are correct for your customers location and application.
- Remove the tape and two metal shipping brackets from the ice thickness probe.
- Sanitize the ice machine and bin/dispenser.

Warning

Potential Personal Injury Situation

Do not operate equipment that has been misused, abused, neglected, damaged, or altered/modified from that of original manufactured specifications.

Important

Scroll refrigeration compressors must be operated for a minimum break in period of 24 hours before full ice production will be reached.

Set the Time and Date

When the ice machine is installed, the correct time and date needs to be set for its location.

1. Ensure that the ice machine's power is on.
2. Press the Menu button.
3. Press the Down button until Set-Up is highlighted [bracketed].
4. Press the Checkmark. The Set-Up menu will be displayed and Time & Date will be highlighted [bracketed].
5. Press the Checkmark. The date will appear on the first line of the display (Mo/Day/Yr) and the time will appear on the second line (24 Hour). The month will be underlined.

0	7	2	4	1	0														
1	4	:	0	8															
E	x	i	t																

6. Using the Up or Down button, adjust the month, if necessary.
7. When the correct month appears, use the Right button to move the underline to the day.
8. Using the Up or Down button, adjust the day, if necessary.
9. When the correct day appears, use the Right button to move the underline to the year.
10. Using the Up or Down button, adjust the year, if necessary.
11. When the correct year appears, press the Checkmark. The underline will move down to the hour.
12. Using the Up or Down button, adjust the hour, if necessary.
13. When the correct hour appears, use the Right button to move the underline to minutes.
14. Using the Up or Down button, adjust the minutes, if necessary.
15. When the correct minutes appear, press the Checkmark twice.

Factory Defaults

All other settings have been set to defaults by the factory.

Setting	Default
Language	English
Time Configuration	Mo/Day/Yr / 24 Hour
Units	Fahrenheit/Lbs/Gallons
Ice Clarity	Off
LCD Brightness	Level 2
Password On/Off	Off
Clean Minder	Off
AuCS RunTime	Off
Air Filter Minder	Off
Water Filter Minder	Off
LuminIce™ Minder	Off

For more details and instructions for changing ice machine settings, see "Set-Up Menu" in the *Operation* section.

Operational Checks

GENERAL

Manitowoc ice machines are factory-operated and adjusted before shipment. Normally, new installations do not require any adjustment.

To ensure proper operation, always follow the Operational Checks:

- when starting the ice machine for the first time
- after a prolonged out of service period
- after cleaning and sanitizing

NOTE: Routine adjustments and maintenance procedures are not covered by the warranty.

REMOVE ICE THICKNESS PROBE SHIPPING BRACKETS



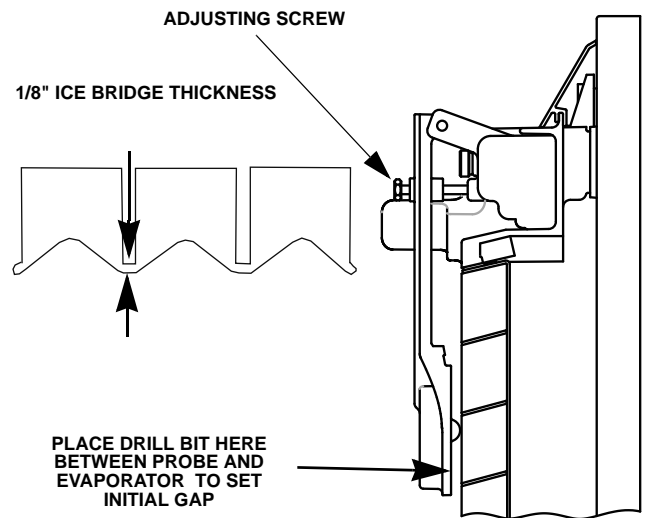
ICE THICKNESS CHECK

After a harvest cycle, inspect the ice cubes in the ice storage bin. The ice thickness probe is factory-set to maintain the ice bridge thickness at 1/8" (3 mm).

NOTE: Make sure the water curtain is in place when performing this check. It prevents water from splashing out of the water trough.

1. Inspect the bridge connecting the cubes. It should be about 1/8" (3 mm) thick.
2. If adjustment is necessary, turn the ice thickness probe adjustment screw clockwise to increase bridge thickness, counterclockwise to decrease bridge thickness. Set at 9/32" (7mm) gap between ice thickness probe and evaporator as starting point, then adjust to achieve a 1/8" bridge thickness.

NOTE: Turning the adjustment 1/3 of a turn will change the ice thickness about 1/16" (1.5 mm).

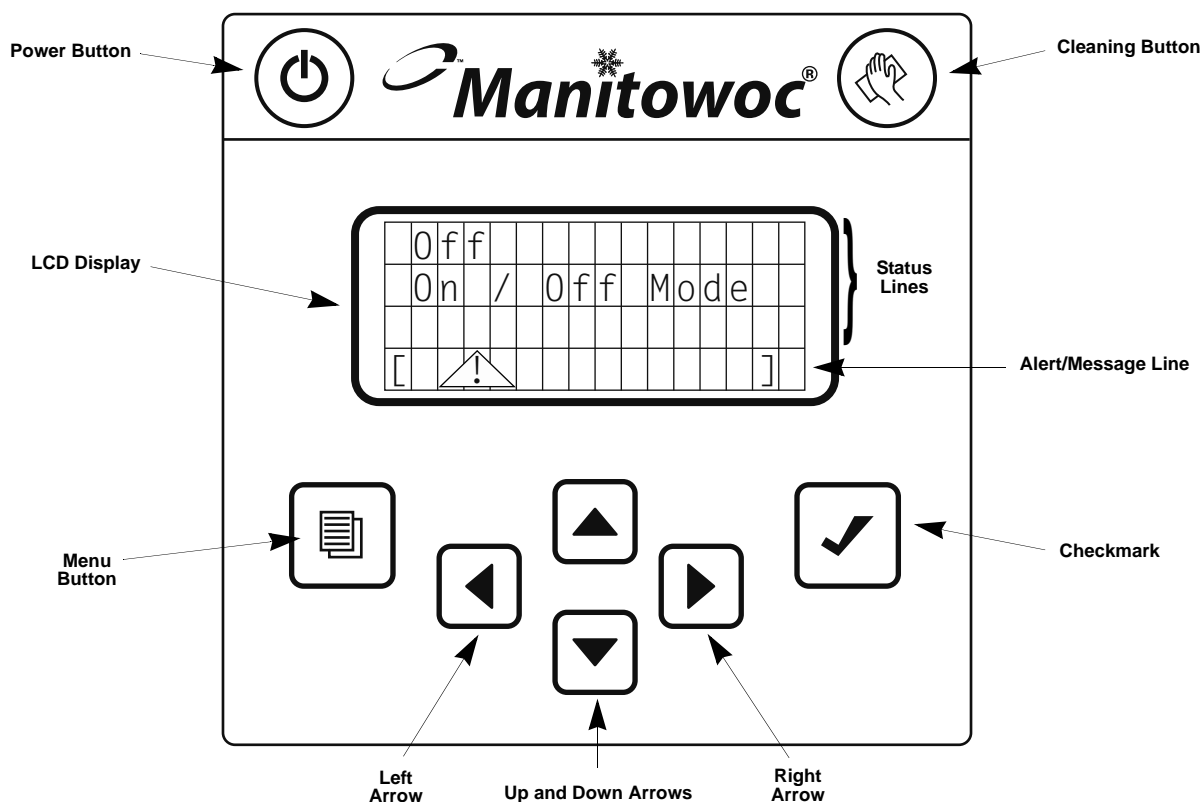


Ice Thickness Check

3. Make sure the ice thickness probe wire and the bracket do not restrict movement of the probe.

THIS PAGE INTENTIONALLY LEFT BLANK

Section 3 Operation



Control Panel Features

The Indigo™ control panel offers a series of pressure sensitive buttons and a four-line interactive display panel. The front door must be opened to access the Power and Clean buttons.

BUTTONS

Power Button: Powers the ice machine when in the On/Off Mode. The ice machine can also be programmed to automatically power on and off in two Energy Saver modes.

Cleaning Button: Initiates a cleaning cycle. Refer to the *Maintenance* section for details.

Menu Button: Moves the display from the Home Screen, where ice machine status, alerts and messages are viewed, to the Main Menu, where machine information and its event log can be accessed, machine and Energy Saver settings can be adjusted, and service issues can be addressed.

Left and Right Arrows: The Left arrow moves the display to the previous screen, allowing the user to “back out” of programming. Both the Left and Right arrows will move the cursor (underline) within a line of settings. NOTE: The Right arrow can also be used on many screens interchangeably with the Checkmark to make a selection.

Up and Down Arrows: Move the highlight [brackets] up one line or down one line.

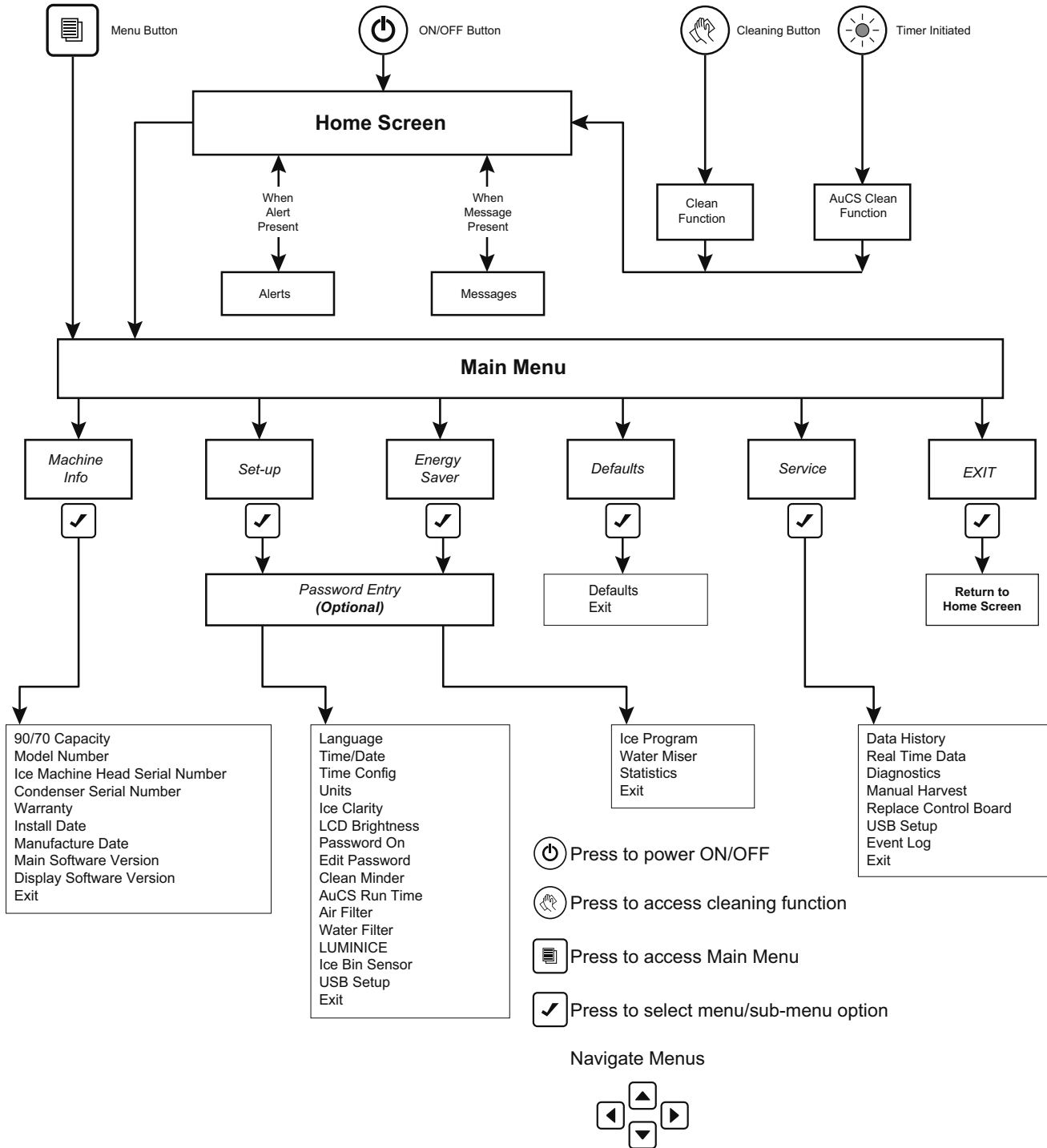
Checkmark: Makes a selection and/or moves to the next screen (or line).

DISPLAY PANEL

The LCD display panel is 16 characters wide and four lines deep. During ice machine operation and cleaning cycles, the Home screen's top three lines provide valuable status information and the fourth line shows alerts and messages. In programming, four lines of the current screen are displayed and highlights, arrows, cursor and selections inform the user of available actions.

Overview of Menu Navigation

Indigo™ Models - Menu Navigation Overview



Display Panel Navigation

[T	i	m	e	&	D	a	t	e	>]	▼
	T	i	m	e	C	o	n	f	i	g	>	
	D	a	y	l	i	g	h	t	S	a	v	>
	U	n	i	t	s						>	▼

Highlights: Brackets indicate if a line on the screen is “highlighted” or actionable. Move the brackets from line to line using the Down or Up arrow. Move the brackets down from the fourth line to view more of the menu displayed.

Arrows: Two kinds of arrows give cues to additional information. “>” symbols show that another screen is available by pressing Checkmark while a line is highlighted. “▼” and “▲” symbols indicate the limits of the screen viewed. NOTE: Another cue to the length of a menu screen is that Exit is the last item.

0	7	2	4	1	0							
1	4	:	0	8								
E	x	i	t								>	

Cursor: A cursor (underline) is used within lines where actual settings can be adjusted. In these screens, use the Up and Down arrows to make changes to the value underlined. Move the cursor from digit to digit using the Right and Left arrows. Use the Checkmark to move the cursor down one line. Exit and re-enter the screen to start again at the top.

[M	o	/	D	a	y	/	Y	r	(✓)]	▼
	D	a	y	/	M	o	/	Y	r	()		
	1	2		H	o	u	r			()		
	2	4		H	o	u	r			(✓)		▼

Selections: When parentheses () appear, they indicate a selection is available by pressing Checkmark while the line is highlighted. If the choice is exclusive, selecting it with the Checkmark will uncheck another selection. That is, in the above Time Config example, selecting Day/Mo/Yr will deselect Mo/Day/Yr.

Alerts and Messages







When messages and alerts exist, they will be highlighted and can be selected with the Left arrow. Alerts are shown on the left side - Alerts are conditions that may cause the ice machine to stop in the near future. Alerts displayed will have priority over messages.

Messages are shown on the right side and appear as an envelope - They are reminders such as clean your air condenser filter, change your water filter, etc. .

	O	f	f									
	O	n	/	O	f	f	M	o	d	e		
[!]

For example, if alerts are appearing in the fourth line of the display:

1. Press the Left Arrow. A list of alerts will appear in the display.
2. Choose the alert you wish to address by moving the highlight brackets with the Down arrow.
3. Press Checkmark again. A screen appears with the date, time and total number of times an alert has occurred. At the bottom of the screen you will be able to clear the alert by pressing the Checkmark.
4. Return to the Home screen by selecting Exit and pressing the Checkmark.

	Machine Info
	
	Set-Up
	
	Energy Saver
	
	Fact Deflts
	
	Service
	
	Exit

Main Menu

Main Menu

From the Home screen, press the Menu button to enter the Main menu, where you can choose to see machine information, make setup changes, set the Energy Saver mode, or enter the Service Menu.

Machine Info Menu

From the Main menu, ensure that Machine Info is highlighted and press the Checkmark to view a list including capacity, model number, Ice Machine Head serial number, condenser serial number, warranty, installation date, date of manufacture and software version. Use the Down arrow to highlight an item and use the Checkmark to view the information. Press the Left arrow to return to previous screens.

Password Entry

A password is not required, although a password can be turned on to prevent unauthorized control setting modification. You can use the Factory Default Password of "1234" or enter a four digit custom pin number of your choosing.

To turn on the password feature use the following procedure.

1. Press the Menu button.
2. From the Main menu, use the Down arrow to highlight setup and press the Right arrow.
3. Use the Down arrow to highlight Password ON and press the Right arrow.
4. Press the Right arrow again with Enter Passwrd highlighted and an icon will flash.
5. Use the Up & Down arrows to enter the factory password (1, 2, 3, 4). Enter the number 1 in the flashing icon (first digit of the factory password).
6. Press the right arrow to move to the next cell and use the Up & Down arrows to add the number 2. Repeat this process to add 3 & 4.
7. When the last number is entered press the Checkmark button to save your entry..

Enter	Passwrd	▲
[]
Exit	>	

To enter a four digit password of your choosing use the following procedure.

1. Press the Menu button.
2. From the Main menu, use the Down arrow to highlight Setup and press the Right arrow.
3. Use the Down arrow to select Edit Password and press the Right arrow.
4. Using the Up & Down arrows, enter the first digit of the factory password in the flashing icon.
5. Press the right arrow to move to the next cell and use the Up & Down arrows to add the number 2. Repeat this process to add 3 & 4.
6. When the last number is entered press the Checkmark button.
7. Follow steps 4 & 5 and enter your 4 digit password.
8. When the last number is entered press the Checkmark button to save your entry.

RESET PASSWORD TO FACTORY DEFAULTS

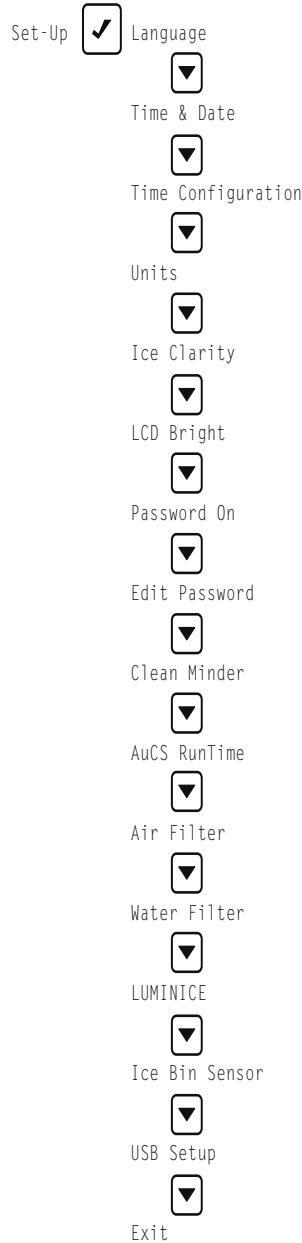
The password can be reset to the factory defaults when required. The default factory password is 1234. To reset the ice machine to factory defaults use the following procedure.

1. Press the Menu button.
2. From the Main menu, use the Down arrow to highlight Fact Deflts
3. Press the Checkmark button two times to reset the ice machine. The display will return to the Set-Up menu and the defaults listed below will be in effect. Refer to Setup to adjust settings.

Setting	Default
Language	English
Time/Date	Month/Day/Year/Time
Time Configuration	Mo/Day/Yr/24 Hour
Units	Fahrenheit/Lbs/Gallons
Ice Clarity	Off
LCD Brightness	Level 2
Password On	Off - Enter Password Default Password = 1234
Edit Password	Off - Edit Password
Clean Minder	Off
AuCS RunTime	Off
Air Filter Minder	Off
Water Filter Minder	Off
LuminIce Bulb Minder	No
Ice Bin Sensor	Off

Set-Up Menu

From the Main menu, use the Down arrow to navigate to Set-Up and press the Checkmark. Select and customize machine settings on this menu. Press the Left arrow to return to previous screens.



Set-Up Menu

LANGUAGE

1. From the Set-Up menu, use the Down arrow to highlight Language.
2. Press the Checkmark. You can choose to view the display in a language other than English, by highlighting your choice and pressing the Checkmark. Selecting one language will deselect the others.
3. When the check reflects your preference, use the Down arrow to navigate to Exit and press the Checkmark. The display will return to the Set-Up menu.

TIME & DATE

Refer to the Installation section's step-by-step instructions for setting the time and date.

[M	/	D	a	y	/	Y	r		(✓)]	▼
	D	a	y	/	M	o	/	Y	r		()	
	1	2			H	o	u	r			()	
	2	4			H	o	u	r			(✓)	▼

TIME CONFIGURATION

1. From the Set-Up menu, use the Down arrow to highlight Time Config.
2. Press the Checkmark. On this screen, you can choose whether the date will be displayed as Mo/Day/Yr or Day/Mo/Yr by highlighting your choice and pressing the Checkmark. Selecting one will deselect the other.
3. You can also choose whether the time will be displayed as 12 Hour or 24 Hour by highlighting your choice and pressing the Checkmark. Selecting one will deselect the other.
4. When the two checks reflect your preference, use the Down arrow to navigate to Exit and press the Checkmark. The display will return to the Set-Up menu.

UNITS

1. From the Set-Up menu, use the Down arrow to highlight Units.
2. Press the Checkmark. On this screen, you can choose whether the ice machine will display measurements in Celsius or Fahrenheit, kilograms or pounds, and gallons or liters by highlighting your choice of each pair and pressing the Checkmark. Selecting one of each pair will deselect the other. Make sure to navigate with the Down arrow to make all three choices.
3. When the three checks reflect your preferences, use the Down arrow to navigate to Exit and press the Checkmark. The display will return to the Set-Up menu.

ICE CLARITY

In areas with poor potable water quality, the ice machine makes cloudy ice. Setting Ice Clarity to ON will add additional water during the freeze cycle to dilute the water that contains a high content of dissolved solids in the water trough. This feature decreases production and increases water usage. A water filter is recommended to produce the highest quality ice while maintaining the least expensive mode of operation.

1. From the Set-Up menu, use the Down arrow to highlight Ice Clarity.
2. Press the Checkmark. On this screen, you can choose to turn the ice clarity feature ON or OFF by highlighting your choice and pressing the Checkmark. Selecting one will deselect the other.
3. When the check reflects your preference, use the Down arrow to navigate to Exit and press the Checkmark. The display will return to the Set-Up menu.

LCD BRIGHTNESS

Here, the brightness of the LCD display can be adjusted.

1. From the Set-Up menu, use the Down arrow to highlight LCD Bright.
2. Press the Checkmark. You will see one to four checkmark symbols indicating the brightness levels of the display. Level 1 is one checkmark, level 2 is two checkmarks, etc.
3. Use the Up and Down arrows to select your preference.
4. When the number of checkmark symbols reflects your preference, press the Checkmark button. The display will return to the Set-Up menu.

PASSWORD ON

A password can be added to prevent unauthorized changes to ice machine settings.

1. From the Set-Up menu, use the Down arrow to highlight Password On.
2. Enter the password and press the Checkmark.
3. Press the Left arrow to return to previous screens and to the Set-Up menu.

EDIT PASSWORD

The password can be changed on this screen

1. From the Set-Up menu, use the Down arrow to highlight Edit Password.
2. Press the Checkmark and confirm current password.
3. Enter new password and press the Checkmark.
4. Press the Left arrow to return to previous screens and to the Set-Up menu.

CLEAN MINDER

Clean Minder is a feature that displays a cleaning reminder at a set time interval.

1. From the Set-Up menu, use the Down arrow to highlight Clean Minder.
2. Press the Checkmark. On this screen, you can choose to turn the reminder ON or OFF by highlighting your choice and pressing the Checkmark. Selecting one will deselect the other.
3. You can also choose the time interval from this screen by highlighting Set Interval and pressing the Checkmark.
4. Press the Left arrow to return to previous screens and to the Set-Up menu.

AUCS RUNTIME

Automatic Cleaning System is an optional accessory and will perform a cleaning cycle at a set time interval.

1. From the Set-Up menu, use the Down arrow to highlight AuCS RunTime.
2. Press the Checkmark. On this screen, you can choose to turn the feature ON or OFF by highlighting your choice and pressing the Checkmark. Selecting one will deselect the other.
3. You can also choose the time interval from this screen by highlighting Set Interval and pressing the Checkmark.
4. Press the Left arrow to return to previous screens and to the *Set-Up* menu.

AIR FILTER

The ice machine has a feature that displays a clean air filter reminder at a set time interval.

1. From the Set-Up menu, use the Down arrow to highlight Air Filter.
2. Press the Checkmark. On this screen, you can choose to turn the reminder to AUTO or OFF by highlighting your choice and pressing the Checkmark. Selecting one will deselect the other.
3. You can also choose the time interval from this screen by highlighting Set Interval and pressing the Checkmark.
4. Press the Left arrow to return to previous screens and to the Set-Up menu.

WATER FILTER

The ice machine has a feature that displays a replace water filter reminder at a set time interval.

1. From the Set-Up menu, use the Down arrow to highlight Water Filter.
2. Press the Checkmark. You can record the filter type on this screen by highlighting Filter Type and pressing the Checkmark.
3. After making your selection, press the Left arrow to return to the previous screen.
4. On this screen, you can also choose to turn the reminder to AUTO or OFF by highlighting your choice and pressing the Checkmark. Selecting one will deselect the other.
5. You can further choose the time interval from this screen by highlighting Set Interval and pressing the Checkmark.
6. Press the Left arrow to return to previous screens and to the Set-Up menu.

LUMINICE™ REMINDER

The LuminIce™ growth inhibitor recirculates the air in the ice machine foodzone over a UV bulb. This process will inhibit the growth of common micro-organisms on all exposed foodzone surfaces.

The LuminIce™ is a feature that displays a reminder to change its bulb every 12 months.

1. From the Set-Up menu, use the Down arrow to highlight LuminIce™.
2. Press the Checkmark. On this screen, you can choose to turn the reminder to AUTO or OFF by highlighting your choice and pressing the Checkmark. Selecting one will deselect the other.
3. When the check reflects your preference, use the Down arrow to navigate to Exit and press the Checkmark. The display will return to the Set-Up menu.

ICE BIN LEVEL SENSOR

Ice bin sensor is an optional accessory that allows the ice level in the bin to be set to one of three different levels. The bin level can be set seasonally to match usage, which results in lower energy costs and fresher ice.

1. From the set-up menu, use the Down arrow to highlight Ice Bin Sensor.
2. Press the Checkmark. On this screen you can choose to set the ice level to low, medium or high by highlighting your choice and pressing the Checkmark. Selecting one will deselect the other.

When the check reflects your preference, use the Down arrow to navigate to Exit and press the Checkmark. The display will return to the Set-up menu.

USB SETUP

Refer to “Upgrading Firmware with a Flash Drive” and “Exporting Data to a Flash Drive” for more information on this setting.

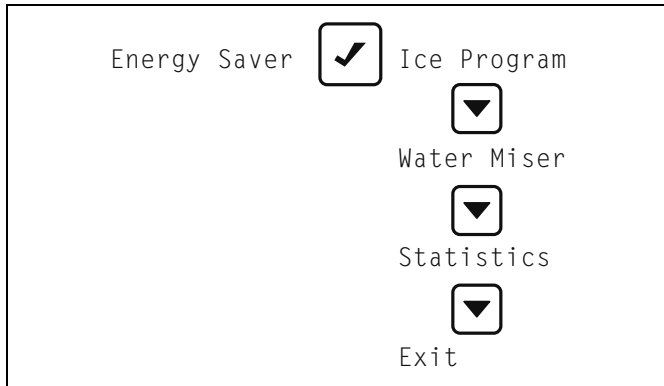
FACTORY DEFAULTS

The entire setup can be reset to factory defaults listed on page 30.

1. From the Set-Up menu, use the Down arrow to highlight Fact Default.
2. Press the Checkmark two times to reset the ice machine. The display will return to the Set-Up menu.

Energy Saver Menu

From the Main menu, use the Down arrow to navigate to Energy Saver and press the Checkmark. Set up an energy saving ice program, enable the Water Miser and view usage statistics from this menu. Press the Left arrow to return to previous screens.



Energy Saver Menu

ICE PROGRAM

To save energy and water, the ice machine can be programmed to only power up during time periods that the ice will be used or when the bin level is being depleted by heavy use.

Important

Setting an ice program will take the ice machine out of the On/Off Mode and the Power button will be disabled.

1. In the Energy Saver menu, ensure that Ice Program is highlighted.
2. Press the Checkmark. On this screen, you can choose to turn on the time program or the bin level program by highlighting your choice and pressing the Checkmark. Selecting one will deselect the other. If one of them is selected and you wish to turn both off, highlight the choice and press Checkmark again.

NOTE: Settings will not be saved if the Checkmark is not pressed after choosing On or Off.

3. If neither of the programs are selected, highlighting Next and pressing the Checkmark will simply return to the top of this screen. If one of the programs is selected, highlight Next and press the Checkmark to choose the times or bin levels. NOTE: For details on how to use the cursor for the time program, refer to "Display Panel Navigation" in this section.
4. Select Exit to return to previous screens and again to the Energy Saver menu.

WATER MISER

Water Miser is a feature that reduces water usage by eliminating flush cycles. Enabling this feature is only recommended for systems with de-ionized or reverse osmosis filtering.

1. From the Energy Saver menu, use the Down arrow to highlight Water Miser.
2. Press the Checkmark. On this screen, you can choose to turn the Water Miser ON or OFF by highlighting your choice and pressing the Checkmark. Selecting one will deselect the other.
3. Press the Left arrow to return to previous screens and to the Energy Saver menu.

STATISTICS

1. From the Energy Saver menu, use the Down arrow to highlight Statistics.
2. Press the Checkmark. Choose to view ice production, potable water usage or energy usage statistics by highlighting your choice and pressing the Checkmark.
3. Press the Left arrow to return to previous screens and to the Energy Saver menu.

FACTORY DEFAULTS

The entire setup can be reset to the factory defaults.

1. From the Set-up menu, use the Down arrow to highlight Fact Deflts.
2. Press the Checkmark two times to reset the ice machine. The display will return to the Set-up menu.

Service Menu

From the Main menu, use the Down arrow to navigate to Service and press the Checkmark. This menu is intended for the use of trained service personnel.

Service	<input checked="" type="checkbox"/>	Data History	<input checked="" type="checkbox"/>	00000000 00000000 00000000 00000000 00000000 00000000 Lifetime Exit
		<input type="checkbox"/>	<input type="checkbox"/>	
RealTime Data	<input checked="" type="checkbox"/>		<input checked="" type="checkbox"/>	Time & Temp Inputs Outputs Exit
		<input type="checkbox"/>	<input type="checkbox"/>	
Diagnostics	<input checked="" type="checkbox"/>		<input checked="" type="checkbox"/>	Control Board Temp Sensors Inputs Exit
		<input type="checkbox"/>	<input type="checkbox"/>	
Man Harvest	<input checked="" type="checkbox"/>		<input checked="" type="checkbox"/>	Hrvst Started Exit
		<input type="checkbox"/>	<input type="checkbox"/>	
Repl Cntl Bd	<input checked="" type="checkbox"/>		<input checked="" type="checkbox"/>	Manual Setup USB Setup Exit
		<input type="checkbox"/>	<input type="checkbox"/>	
USB Setup	<input checked="" type="checkbox"/>		<input checked="" type="checkbox"/>	USB Stick Exit
		<input type="checkbox"/>	<input type="checkbox"/>	
Event Log	<input checked="" type="checkbox"/>		<input checked="" type="checkbox"/>	View ELog Clear ELog Exit
		<input type="checkbox"/>	<input type="checkbox"/>	
Exit				

Service Menu

DATA HISTORY

Press the Checkmark with Data History highlighted to view a list of eight-digit dates (Current, Current + 1 ... Current + 5), along with Lifetime (be sure to use the Down arrow to reveal all the available information).

For each of the dates, use the Checkmark to view:

- Minimum Freeze Cycle
- Maximum Freeze Cycle
- Minimum Harvest Cycle
- Maximum Harvest Cycle
- Maximum Temperature DeltaT3 to T4
- Delta
- T3
- T4
- Run Time
- Ice Production
- Cycle Count
- Potable Water Usage
- Clean Cycle
- Exit

For Lifetime, use the Checkmark to view:

- Install Date (Install)
- Control Board Replacement Date
- Control Board Date Of Manufacture (DOM)
- RunTime
- Cycle Count
- Potable Water Usage
- Clean Cycles
- Exit

REAL TIME DATA

Press the Checkmark with Real Time Data highlighted to get readings on Time & Temp, Inputs and Outputs.

DIAGNOSTICS

Press the Checkmark with Diagnostics highlighted to enter screens where you can run diagnostics on the control board, sensors and switches.

MANUAL HARVEST

Press the Checkmark with Man Harvest highlighted to enter a screen where you can initiate a manual harvest.

Ice Making Sequence Of Operation

Ice machines and storage bins produce and store ice for human consumption and product cooling.

NOTE: The power button must be depressed and the water curtain/ice dampers must be in place on the evaporator before the ice machine will start.

Water Purge Cycle

The ice machine purges any remaining water from the water trough down the drain.

Freeze Cycle

Water flows across the evaporator and the refrigeration system chills the evaporator. Ice builds on the evaporator and the freeze cycle continues until the ice thickness probe senses a sheet of ice has formed. The ice thickness probe signals the control board to start a harvest .

Harvest Cycle

Any remaining water is purged down the drain as refrigerant gas warms the evaporator. When the evaporator warms, the sheet of cubes slides off the evaporator and into the storage bin. If all cubes fall clear of the water curtain (or ice damper) the ice machine starts another freeze cycle.

Off Cycle

If the water curtain or ice damper are held open by ice cubes the ice machine shuts off. When the water curtain or ice damper closes the ice machine starts a new cycle at the water purge.

Control Board Timers

The control board has the following non-adjustable timers:

- The ice machine is locked into the freeze cycle for 6 minutes before a harvest cycle can be initiated.
- The maximum freeze time is 60 minutes at which time the control board automatically initiates a harvest sequence.
- The maximum harvest time is 3.5 minutes. The control board automatically initiates a freeze sequence when these times are exceeded.

SAFETY LIMITS

Safety limits are stored and indicated by the control board after three cycles. The number of cycles required to stop the ice machine varies for each safety limit.

- Safety Limit 1 - If the freeze time reaches 60 minutes, the control board automatically initiates a harvest cycle. If 6 consecutive 60-minute freeze cycles occur, the ice machine stops.
- Safety Limit 2 - If the harvest time reaches 3.5 minutes, the control board automatically returns the ice machine to the freeze cycle. If 500 consecutive 3.5 minute harvest cycles occur, the ice machine stops.

A safety limit is indicated by a flashing control board light labeled SL1 or SL2. Refer to section 5 if you receive a safety limit indication.

SAFE OPERATION MODE

Allows the ice machine to operate up to 72 hours if the ice thickness probe and/or water level probe sensors fail.

- When the control board starts the safe mode an alert is flashed on the LCD display to notify the end-user they have a production problem.
- The control board automatically initiates and monitors the safe mode. The control will automatically exit the safe mode if a normal signal is received from the input.
- After 72 hours the control board will enter a standby mode and turn off.

Operational Checks

GENERAL

Manitowoc ice machines are factory-operated and adjusted before shipment. Normally, new installations do not require any adjustment.

To ensure proper operation, always follow the Operational Checks:

- when starting the ice machine for the first time
- after a prolonged out of service period
- after cleaning and sanitizing

NOTE: Routine adjustments and maintenance procedures are not covered by the warranty.

ICE THICKNESS CHECK

After a harvest cycle, inspect the ice cubes in the ice storage bin. The ice thickness probe is factory-set to maintain the ice bridge thickness at 1/8" (3 mm).

NOTE: Make sure the water curtain is in place when performing this check. It prevents water from splashing out of the water trough.

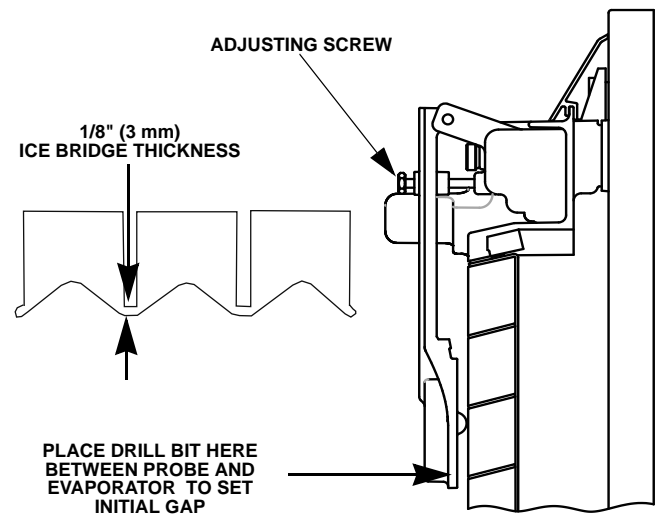
1. Inspect the bridge connecting the cubes. It should be about 1/8" (3 mm) thick.
2. If adjustment is necessary, turn the ice thickness probe adjustment screw clockwise to increase bridge thickness, counterclockwise to decrease bridge thickness. Set at 9/32" (7 mm) gap between ice thickness probe and evaporator as starting point, then adjust to achieve a 1/8" (3 mm) bridge thickness.

NOTE: Turning the adjustment 1/3 of a turn will change the ice thickness about 1/16" (1.5 mm).

NOTE: During shipping and installation the ice thickness probe may shift, requiring further adjustment to achieve the rated energy efficiency and production. The ice weight per cycle must be within the minimum and maximum for your ice machine series. Capture and weigh the ice from the second freeze/harvest cycle. The target weight is the middle of the minimum and maximum weight in the chart below.

Series Ice Machine	Ice Weight From One Cycle	
	Minimum Ice Weight	Maximum Ice Weight
I0680 - IB690	4.6 lbs	5.2 lbs
I0876 - IB896	5.75 lbs	6.5 lbs
I0976	6.2 lbs	7.2 lbs
I1076	6.2 lbs	7.2 lbs
IB1096	7.5 lbs	8.5 lbs
I1470	12.0 lbs	14.0 lbs
I1870	15.5 lbs	16.75 lbs
I2176	15.5 lbs	16.75 lbs

Target weight is the middle of the minimum and maximum weight.



Ice Thickness Check

3. Make sure the ice thickness probe wire doesn't restrict movement of the probe.

THIS PAGE INTENTIONALLY LEFT BLANK

Section 4

Maintenance

Cleaning and Sanitizing

You are responsible for maintaining the ice machine in accordance with the instructions in this manual. Maintenance procedures are not covered by the warranty.

Clean and sanitize the ice machine every six months for efficient operation. If the ice machine requires more frequent cleaning and sanitizing, consult a qualified service company to test the water quality and recommend appropriate water treatment. An extremely dirty ice machine must be taken apart for cleaning and sanitizing.

Manitowoc Ice Machine Cleaner and Sanitizer are the only products approved for use in Manitowoc ice machines.

 **Caution**

Use only Manitowoc approved Ice Machine Cleaner and Sanitizer for this application (Manitowoc Cleaner part number 94-0546-3 and Manitowoc Sanitizer part number 94-0565-3). It is a violation of Federal law to use these solutions in a manner inconsistent with their labeling. Read and understand all labels printed on bottles before use.

 **Caution**

Do not mix Cleaner and Sanitizer solutions together. It is a violation of Federal law to use these solutions in a manner inconsistent with their labeling.

 **Warning**

Wear rubber gloves and safety goggles (and/or face shield) when handling ice machine Cleaner or Sanitizer.

CLEANING/SANITIZING PROCEDURE

This procedure must be performed a minimum of once every six months.

- The ice machine and bin must be disassembled cleaned and sanitized.
- All ice produced during the cleaning and sanitizing procedures must be discarded.
- Removes mineral deposits from areas or surfaces that are in direct contact with water.

PREVENTATIVE MAINTENANCE CLEANING PROCEDURE

- This procedure cleans all components in the water flow path, and is used to clean the ice machine between the bi-yearly cleaning/sanitizing procedure.

EXTERIOR CLEANING

Clean the area around the ice machine as often as necessary to maintain cleanliness and efficient operation.

Wipe surfaces with a damp cloth rinsed in water to remove dust and dirt from the outside of the ice machine. If a greasy residue persists, use a damp cloth rinsed in a mild dish soap and water solution. Wipe dry with a clean, soft cloth.

The exterior panels have a clear coating that is stain resistant and easy to clean. Products containing abrasives will damage the coating and scratch the panels.

- Never use steel wool or abrasive pads for cleaning.
- Never use chlorinated, citrus based or abrasive cleaners on exterior panels and plastic trim.

Cleaning / Sanitizing Procedure

⚠ Caution

Use only Manitowoc approved Ice Machine Cleaner and Sanitizer for this application (Manitowoc Cleaner part number 94-0546-3 and Manitowoc Sanitizer part number 94-0565-3). It is a violation of Federal law to use these solutions in a manner inconsistent with their labeling. Read and understand all labels printed on bottles before use.

CLEANING PROCEDURE

⚠ Caution

Do not mix Cleaner and Sanitizer solutions together. It is a violation of Federal law to use these solutions in a manner inconsistent with their labeling

⚠ Warning

Wear rubber gloves and safety goggles (and/or face shield) when handling ice machine Cleaner or Sanitizer.

Ice machine cleaner is used to remove lime scale and mineral deposits. Ice machine sanitizer disinfects and removes algae and slime.

NOTE: Although not required and dependant on your installation, removing the ice machine top cover may allow easier access.

Step 1 Open the front door to access the evaporator.. Ice must not be on the evaporator during the clean/ sanitize cycle. Follow one of the methods below:

- Press the power switch at the end of a harvest cycle after ice falls from the evaporator(s).
- Press the power switch and allow the ice to melt.

⚠ Caution

Never use anything to force ice from the evaporator. Damage may result.

Step 2 Remove all ice from the bin/dispenser.

Step 3 Press the clean switch. Water will flow through the water dump valve and down the drain. Wait until the water trough refills and the display indicates add solution (approximately 1 minute), then add the proper amount of ice machine cleaner.

Model	Amount of Cleaner
I0680C/I0870C/I0970C/ I1070C/I1176C	5 ounces (150 ml)
IB0690C/IB0890C/IB1090C	5 ounces (150 ml)
I1470C/I1870C/I2170C	9 ounces (270 ml)

Step 4 Wait until the clean cycle is complete (approximately 24 minutes). Then disconnect power to the ice machine (and dispenser when used).

⚠ Warning

Disconnect the electric power to the ice machine at the electric service switch box.

Step 5 Remove parts for cleaning.

Please refer to the proper parts removal for your ice machine. Continue with step 6 when the parts have been removed.

Single Evaporator Machines start on Page 42.

Multiple Evaporator Machines start on Page 44.

Step 6 Mix a solution of cleaner and lukewarm water. Depending upon the amount of mineral buildup, a larger quantity of solution may be required. Use the ratio in the table below to mix enough solution to thoroughly clean all parts.

Solution Type	Water	Mixed With
Cleaner	1 gal. (4 l)	16 oz (500 ml) cleaner

Step 7 Use 1/2 of the cleaner/water mixture to clean all components. The cleaner solution will foam when it contacts lime scale and mineral deposits; once the foaming stops use a soft-bristle nylon brush, sponge or cloth (NOT a wire brush) to carefully clean the parts. All parts except the ice thickness probe can be soaked when heavily scaled. Rinse all components with clean water.

Step 8 While components are soaking, use 1/2 of the cleaner/water solution to clean all foodzone surfaces of the ice machine and bin (or dispenser). Use a nylon brush or cloth to thoroughly clean the following ice machine areas:

- Side walls
- Base (area above water trough)
- Evaporator plastic parts - including top, bottom, and sides
- Bin or dispenser

Rinse all areas thoroughly with clean water.

SANITIZING PROCEDURE

Step 9 Mix a solution of sanitizer and lukewarm water.

Solution Type	Water	Mixed With
Sanitizer	3 gal. (12 l)	2 oz (60 ml) sanitizer

Step 10 Use 1/2 of the sanitizer/water solution to sanitize all removed components. Use a spray bottle to liberally apply the solution to all surfaces of the removed parts or soak the removed parts in the sanitizer/water solution. Do not rinse parts after sanitizing.

Step 11 Use 1/2 of the sanitizer/water solution to sanitize all foodzone surfaces of the ice machine and bin (or dispenser). Use a spray bottle to liberally apply the solution. When sanitizing, pay particular attention to the following areas:

- Side walls
- Base (area above water trough)
- Evaporator plastic parts - including top, bottom and sides
- Bin or dispenser

Do not rinse the sanitized areas.

Step 12 Replace all removed components.

Step 13 Wait 20 minutes.

Step 14 Reapply power to the ice machine and perform the following key strokes.

- Press Clean button
- Press right arrow button, select clean yes button
- Press checkmark button
- Press right arrow button, select auto start yes button
- Press checkmark button

Step 15 Wait until the water trough refills and the display indicates add solution (approximately 1 minute). Add the proper amount of Manitowoc Ice Machine Sanitizer to the water trough

Model	Amount of Sanitizer
I0680C/I0870C/I0970C/ I1070C/I1176C	3 ounces (90 ml)
IB0690C/IB0890C	3 ounces (90 ml)
IB1090C	3.5 ounces (104 ml)
I1470C/I1870C/I2170C	12 ounces (355 ml)

Step 16 Close and secure the front door. The ice machine will automatically start ice making after the sanitize cycle is complete (approximately 24 minutes).

PARTS REMOVAL FOR CLEANING/SANITIZING**I0680C/I0870C/I0970C/I1070C/I1176C****A. Remove the water curtain**

- Gently flex the curtain in the center and remove it from the right side.
- Slide the left pin out.

B. Remove the ice thickness probe

- Compress the hinge pin on the top of the ice thickness probe.
- Pivot the ice thickness probe to disengage one pin then the other. The ice thickness probe can be cleaned at this point without complete removal. If complete removal is desired, disconnect the ice thickness control wiring from the control board.

C. Remove the water trough

- Depress tabs on right and left side of the water trough.
- Allow front of water trough to drop as you pull forward to disengage the rear pins.

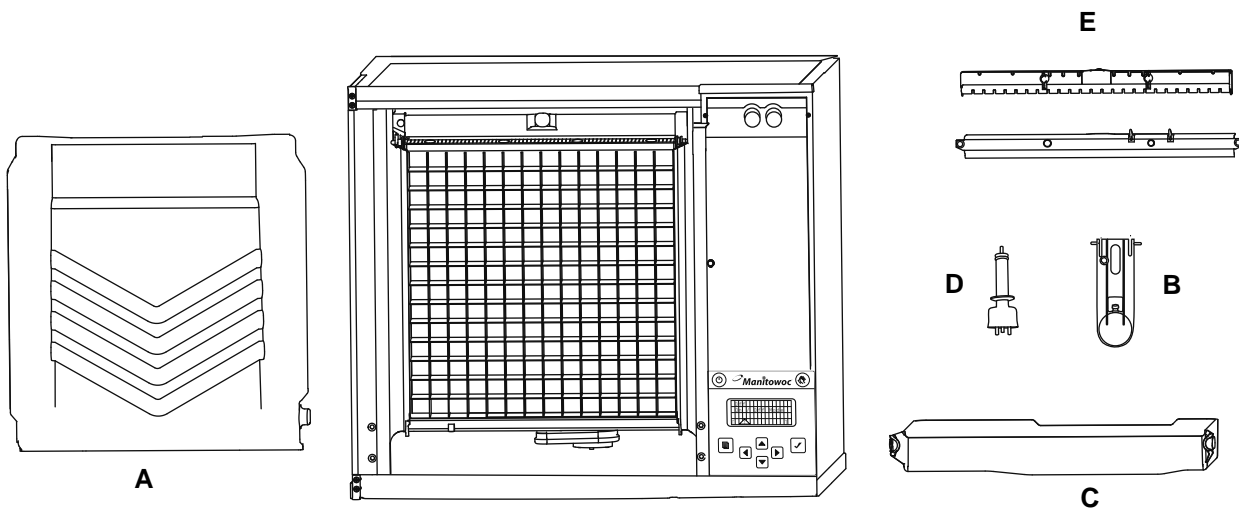
D. Remove the water level probe

- Pull the water level probe straight down to disengage.
- Lower the water level probe until the wiring connector is visible.
- Disconnect the wire lead from the water level probe.
- Remove the water level probe from the ice machine.

E. Remove the water distribution tube

NOTE: Distribution tube thumbscrews are retained to prevent loss. Loosen thumbscrews but do not pull thumbscrews out of distribution tube.

- Loosen the two outer screws (do not remove screws completely they are retained to prevent loss) and pull forward on the distribution tube to release from slip joint.
- Disassemble distribution tube by loosening the two (2) middle thumbscrews and dividing the distribution tube into two pieces.



IB0690C/IB0890C/IB1090C

A. Remove splash shield

- Grasp the top center of splash shields.
- Lift up and then out.

B. Remove ice thickness probe

- Compress the hinge pin on the top of the ice thickness probe.
- Pivot the ice thickness probe to disengage one pin then the other. The ice thickness probe can be cleaned at this point without complete removal. If complete removal is desired, disconnect the ice thickness control wiring from the control board.

C. Remove the water trough

- Depress tabs on right and left side of the water trough.
- Allow front of water trough to drop as you pull forward to disengage the rear pins.

D. Remove the water level probe

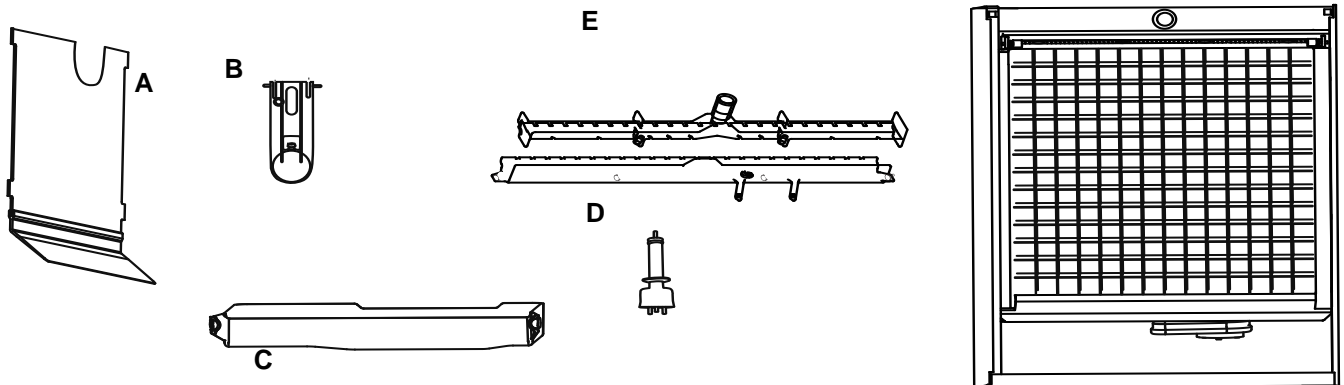
- Pull the water level probe straight down to disengage.
- Lower the water level probe until the wiring connector is visible.
- Disconnect the wire lead from the water level probe.
- Remove the water level probe from the ice machine.

E. Remove the water distribution tube

NOTE: Distribution tube thumbscrews are retained to prevent loss. Loosen thumbscrews but do not pull thumbscrews out of distribution tube.

- Loosen the two outer screws (do not remove screws completely they are retained to prevent loss) and pull forward on the distribution tube to release from slip joint.

Disassemble distribution tube by loosening the two (2) middle thumbscrews and dividing the distribution tube into two pieces.



I1470C/I1870C/I2170C

A. Remove splash shields

- Grasp the top center of splash shields.
- Lift up and then out.

B. Remove ice thickness probe

- Compress the hinge pin on the top of the ice thickness probe.
- Pivot the ice thickness probe to disengage one pin then the other. The ice thickness probe can be cleaned at this point without complete removal. If complete removal is desired, disconnect the ice thickness control wiring from the control board.

C. Remove the water trough shield

- Grasp the water trough shield in the center and the left end.
- Flex the water trough shield in the center and pull the left end forward until clear of the side wall. Repeat for the right end.
- Pull water trough shield forward to remove.

D. Remove distribution tubes

- Distribution tubes thumbscrews are retained to prevent loss. Loosen thumbscrews but do not pull thumbscrews out of distribution tube.
- Loosen the two outer screws and pull forward on the distribution tube to release from slip joint.
- Disassemble distribution tube by loosening the two (2) middle thumbscrews and dividing the distribution tube into two pieces.

E. Remove ice dampers

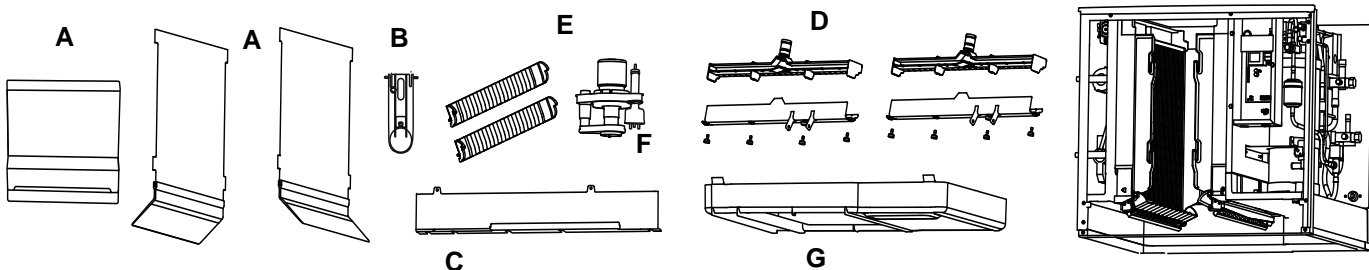
- Grasp ice damper and apply pressure toward the back mounting bracket.
- Apply pressure to the front mounting bracket with thumb.
- Pull ice damper downward when the front ice damper pin disengages.

F. Remove the water pump assembly

- Disconnect the vinyl distribution tube from the water pump.
- Disconnect the water pump and water level probe electrical connections.
- After the wires are disconnected squeeze the two tabs and lift the water pump assembly out of the ice machine.
- Do not immerse the water pump motor in cleaner or sanitizer solutions.

G. Remove the water trough

- Depress the two tabs on the top of the water trough.
- Turn left and right ice dampers down to clear water trough.
- Pull forward on the water trough to remove.



Preventative Maintenance Cleaning Procedure


This procedure cleans all components in the water flow path, and is used to clean the ice machine between the bi-yearly cleaning/sanitizing procedure.

Ice machine cleaner is used to remove lime scale and mineral deposits. Ice machine sanitizer disinfects and removes algae and slime.

NOTE: Although not required and dependant on your installation, removing the ice machine top cover may allow easier access.

Step 1 Ice must not be on the evaporator during the clean cycle. Follow one of the methods below:

- Press the power switch at the end of a harvest cycle after ice falls from the evaporator(s).
- Press the power switch and allow the ice to melt.

 **Caution**

Never use anything to force ice from the evaporator. Damage may result.


Step 2 Open the front door to access the evaporator.

Step 3 Press the clean switch. Water will flow through the water dump valve and down the drain. Wait until the water trough refills and the display indicates add solution (approximately 3 minutes), then add the proper amount of ice machine cleaner.

Model	Amount of Cleaner
I06800C/I0870C/I0970C/I1070C	5 ounces (150 ml)
IB0690C/IB0890C/IB1090C	5 ounces (150 ml)
I1470C/I1870C/I2170C	9 ounces (270 ml)

Step 4 Close and secure the front door. The ice machine will automatically start ice making after the clean cycle is complete (approximately 24 minutes).


Cleaning the Condenser

 **Warning**

Disconnect electric power to the ice machine head section and the remote condensing unit at the electric service switches before cleaning the condenser.

A dirty condenser restricts airflow, resulting in excessively high operating temperatures. This reduces ice production and shortens component life.

- Clean the condenser at least every six month.

 **Warning**

The condenser fins are sharp. Use care when cleaning them.

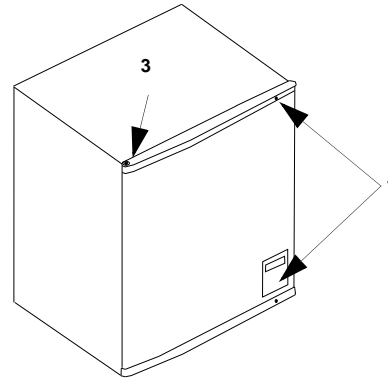
- Shine a flashlight through the condenser to check for dirt between the fins.
- Blow compressed air or rinse with water from the inside out (opposite direction of airflow).
- If dirt still remains call a service agent to clean the condenser.

Removal from Service/Winterization

1. Clean and sanitize the ice machine.
2. Turn off the water supply, disconnect and drain the incoming ice-making water line at the rear of the ice machine and drain the water trough.
3. Energize the ice machine, wait one minute for the water inlet valve to open and blow compressed air in both the incoming water and the drain openings in the rear of the ice machine to remove all water.
4. Press the power button to turn off the ice machine & disconnect the electric power at the circuit breaker or the electric service switch.
5. Fill spray bottle with sanitizer and spray all interior food zone surfaces. Do not rinse and allow to air dry.
6. Replace all panels.

Door Removal

1. Use a phillips screwdriver to loosen the two screws securing the door. Do not remove they are secured to prevent loss.
2. Open left front door to 90 degrees.



Door Removal

3. Support with right hand, depress top pin, tilt top of door forward and lift out of bottom pin to remove.

Section 5

Customer Support

Before Calling for Service Checklist

If a problem arises during operation of your ice machine, follow the checklist below before calling service. Routine adjustments and maintenance procedures are not covered by the warranty.

Problem	Possible Cause	To Correct
Ice machine does not operate.	No electrical power to the ice machine and/or condensing unit.	Replace the fuse/reset the breaker/turn on the main switch.
	High pressure cutout tripping.	Clean condenser coil. (See Section 4)
	Energy Saver or other field entered programming is stopping the ice machine.	Reset to Factory Defaults (see Section 2)
	Water curtain stuck open or has been removed.	Water curtain or ice damper must be installed and swinging freely. (See Section 4)
	Remote receiver service valve and/or Liquid/suction line shut off valves are closed.	Open the valve(s). (See Section 2)
	IB Only - Dispenser level thermostat open.	Adjust thermostat to maintain correct dispenser level.
Ice machine stops, and can be restarted by pressing the power button.	Safety limit feature stopping the ice machine.	Refer to "Safety Limit Feature" on the next page.
Ice machine does not release ice or is slow to harvest.	Ice machine is dirty.	Clean and sanitize the ice machine. (See Section 4)
	Ice machine is not level.	Level the ice machine. (See Section 2)
	Low air temperature around ice machine head section.	Air temperature must be at least 35°F (1.6°C).
Ice machine does not cycle into harvest mode.	The six-minute freeze time lock-in has not expired yet.	Wait for the freeze lock-in to expire.
	Ice thickness probe is dirty.	Clean and sanitize the ice machine. (See Section 4)
	Ice thickness probe is disconnected.	Connect the wire.
	Ice thickness probe is out of adjustment.	Adjust the ice thickness probe. (See Section 3)
	Uneven ice fill (thin at the top of evaporator).	Verify sufficient water level in sump trough. Contact a qualified service company to check refrigeration system.
Ice quality is poor (soft or not clear).	Poor incoming water quality.	Contact a qualified service company to test the quality of the incoming water and make appropriate filter recommendations.
	Water filtration is poor.	Replace the filter.
	Ice machine is dirty.	Clean and sanitize the ice machine. (See Section 4)
	Water dump valve is not working.	Disassemble and clean the water dump valve. (See Section 4)
	Water softener is working improperly (if applicable).	Repair the water softener.

Problem	Possible Cause	To Correct
Ice machine produces shallow or incomplete cubes, or the ice fill pattern on the evaporator is incomplete.	Ice thickness probe is out of adjustment.	Adjust the ice thickness probe. (See Section 3)
	Water is escaping the water trough.	Clean the dump valve (look for water at drain outlet during freeze cycle), reinstall water curtain, clean the ice machine to stop water tracking out of trough area
	Water inlet valve filter screen is dirty.	Remove the water inlet valve and clean the filter screen. (See Section 4)
	Water filtration is poor.	Replace the filter.
	Hot incoming water.	Connect the ice machine to a cold water supply. (See Section 2)
	Water inlet valve is not working.	Clean or replace the water inlet valve. (See Section 4)
	Incorrect incoming water pressure.	Water pressure must be 20-80 psi (137.9 - 551.5 kPA).
	Ice machine head section is not level.	Level the ice machine head section. (See Section 2)
Low ice capacity.	Water inlet valve filter screen is dirty.	Remove the water inlet valve and clean the filter screen. (See Section 4)
	Incoming water supply is shut off.	Open the water service valve.
	Water inlet valve stuck open or leaking.	Replace the water inlet valve.
	The condenser is dirty.	Clean the condenser. (See Section 4)
	High air temperature entering condenser.	Air temperature must not exceed 130°F (54°C) ICVD0695/ICVD1195/ICVD2095 - 120°F (49°C)
	The harvest assist air compressor is not functioning.	Call for service.

SAFETY LIMIT FEATURE

In addition to the standard safety controls, such as the high pressure cutout, your Manitowoc ice machine features built-in safety limits which will stop the ice machine if conditions arise which could cause a major component failure.

Before calling for service, re-start the ice machine using the following procedure:

1. Press the power button, the display reads "Off". Press the power button again and the display reads "Making Ice".
 - A. If the safety limit feature has stopped the ice machine, it will restart after a short delay. Proceed to step 2.
 - B. If the ice machine does not restart, see "Ice machine does not operate" on the previous page.
2. Allow the ice machine to run to determine if the condition repeats.
 - A. If the ice machine stops again, the condition has repeated. Call for service.
 - B. If the ice machine continues to run, the condition has corrected itself. Allow the ice machine to continue running.

Commercial Ice Machine Warranty

Manitowoc Ice, Inc. (hereinafter referred to as the "COMPANY") warrants for a period of thirty-six months from the installation date (except as limited below) that new ice machines manufactured by the COMPANY shall be free of defects in material or workmanship under normal and proper use and maintenance as specified by the COMPANY and upon proper installation and start-up in accordance with the instruction manual supplied with the ice machine. The COMPANY'S warranty hereunder with respect to the compressor shall apply for an additional twenty-four months, excluding all labor charges, and with respect to the evaporator for an additional twenty-four months, including labor charges.

The obligation of the COMPANY under this warranty is limited to the repair or replacement of parts, components, or assemblies that in the opinion of the COMPANY are defective. This warranty is further limited to the cost of parts, components or assemblies and standard straight time labor charges at the servicing location.

Time and hourly rate schedules, as published from time to time by the COMPANY, apply to all service procedures. Additional expenses including without limitation, travel time, overtime premium, material cost, accessing or removal of the ice machine, or shipping are the responsibility of the owner, along with all maintenance, adjustments, cleaning, and ice purchases. Labor covered under this warranty must be performed by a COMPANY Contracted Service Representative or a refrigeration service agency as qualified and authorized by the COMPANY'S local Distributor. The COMPANY'S liability under this warranty shall in no event be greater than the actual purchase price paid by customer for the ice machine.

The foregoing warranty shall not apply to (1) any part or assembly that has been altered, modified, or changed; (2) any part or assembly that has been subjected to misuse, abuse, neglect, or accidents; (3) any ice machine that has been installed and/or maintained inconsistent with the technical instructions provided by the COMPANY; or (4) any ice machine initially installed more than five years from the serial number production date. This warranty shall not apply if the Ice Machine's refrigeration system is modified with a condenser, heat reclaim device, or parts and assemblies other than those manufactured by the COMPANY, unless the COMPANY approves these modifications for specific locations in writing.

THIS WARRANTY IS IN LIEU OF ALL OTHER WARRANTIES OR GUARANTEES OF ANY KIND, EXPRESSED OR IMPLIED, INCLUDING ANY IMPLIED WARRANTY OF MERCHANTABILITY OR FITNESS FOR A PARTICULAR PURPOSE. In no event shall the COMPANY be liable for any special, indirect, incidental or consequential damages. Upon the expiration of the warranty period, the COMPANY'S liability under this warranty shall terminate. The foregoing warranty shall constitute the sole liability of the COMPANY and the exclusive remedy of the customer or user.

To secure prompt and continuing warranty service, the warranty registration card must be completed and sent to the COMPANY within five (5) days from the installation date.

Complete the following and retain for your record:

Distributor/Dealer _____
Model Number _____ Serial Number _____
Installation Date _____

MANITOWOC ICE

2110 So. 26th St., P.O. Box 1720, Manitowoc, WI 54221-1720

Telephone: 920-682-0161 • Fax: 920-683-7585

Web Site - www.manitowocice.com

Form 80-0373-3 Rev. 01/02

Residential Ice Machine Limited Warranty

WHAT DOES THIS LIMITED WARRANTY COVER?

Subject to the exclusions and limitations below, Manitowoc Foodservice ("Manitowoc") warrants to the original consumer that any new ice machine manufactured by Manitowoc (the "Product") shall be free of defects in material or workmanship for the warranty period outlined below under normal use and maintenance, and upon proper installation and start-up in accordance with the instruction manual supplied with the Product.

HOW LONG DOES THIS LIMITED WARRANTY LAST?

<u>Product Covered</u>	<u>Warranty Period</u>
Ice Machine	Twelve (12) months from the sale date

WHO IS COVERED BY THIS LIMITED WARRANTY?

This limited warranty only applies to the original consumer of the Product and is not transferable.

WHAT ARE MANITOWOC ICE'S OBLIGATIONS UNDER THIS LIMITED WARRANTY?

If a defect arises and Manitowoc receives a valid warranty claim prior to the expiration of the warranty period, Manitowoc shall, at its option: (1) repair the Product at Manitowoc's cost, including standard straight time labor charges, (2) replace the Product with one that is new or at least as functionally equivalent as the original, or (3) refund the purchase price for the Product. Replacement parts are warranted for 90 days or the balance of the original warranty period, whichever is longer. The foregoing constitutes Manitowoc's sole obligation and the consumer's exclusive remedy for any breach of this limited warranty. Manitowoc's liability under this limited warranty is limited to the purchase price of Product. Additional expenses including, without limitation, service travel time, overtime or premium labor charges, accessing or removing the Product, or shipping are the responsibility of the consumer.

HOW TO OBTAIN WARRANTY SERVICE

To obtain warranty service or information regarding your Product, please contact us at:
 MANITOWOC FOODSERVICE
 2110 So. 26th St.
 P.O. Box 1720,
 Manitowoc, WI 54221-1720
 Telephone: 920-682-0161 Fax: 920-683-7585
www.manitowocice.com

WHAT IS NOT COVERED?

This limited warranty does not cover, and you are solely responsible for the costs of: (1) periodic or routine maintenance, (2) repair or replacement of the Product or parts due to normal wear and tear, (3) defects or damage to the Product or parts resulting from misuse, abuse, neglect, or accidents, (4) defects or damage to the Product or parts resulting from improper or unauthorized alterations, modifications, or changes; and (5) defects or damage to any Product that has not been installed and/or maintained in accordance with the instruction manual or technical instructions provided by Manitowoc. To the extent that warranty exclusions are not permitted under some state laws, these exclusions may not apply to you.

EXCEPT AS STATED IN THE FOLLOWING SENTENCE, THIS LIMITED WARRANTY IS THE SOLE AND EXCLUSIVE WARRANTY OF MANITOWOC WITH REGARD TO THE PRODUCT. ALL IMPLIED WARRANTIES ARE STRICTLY LIMITED TO THE DURATION OF THE LIMITED WARRANTY APPLICABLE TO THE PRODUCTS AS STATED ABOVE, INCLUDING BUT NOT LIMITED TO, ANY WARRANTY OF MERCHANTABILITY OR OF FITNESS FOR A PARTICULAR PURPOSE.

Some states do not allow limitations on how long an implied warranty lasts, so the above limitation may not apply to you.

IN NO EVENT SHALL MANITOWOC OR ANY OF ITS AFFILIATES BE LIABLE TO THE CONSUMER OR ANY OTHER PERSON FOR ANY INCIDENTAL, CONSEQUENTIAL OR SPECIAL DAMAGES OF ANY KIND (INCLUDING, WITHOUT LIMITATION, LOSS PROFITS, REVENUE OR BUSINESS) ARISING FROM OR IN ANY MANNER CONNECTED WITH THE PRODUCT, ANY BREACH OF THIS LIMITED WARRANTY, OR ANY OTHER CAUSE WHATSOEVER, WHETHER BASED ON CONTRACT, TORT OR ANY OTHER THEORY OF LIABILITY.

Some states do not allow the exclusion or limitation of incidental or consequential damages, so the above limitation or exclusion may not apply to you.

HOW STATE LAW APPLIES

This limited warranty gives you specific legal rights, and you may also have rights that vary from state to state or from one jurisdiction to another.

REGISTRATION CARD

To secure prompt and continuing warranty service, this warranty registration card must be completed and sent to Manitowoc within thirty (30) days from the sale date. Complete the following registration card and send it to Manitowoc.

**Section 1
Généralités**

Références des modèles	51
Déflecteur de glaçons	51
Installation du bac	52
LuminIce™	52
Installation du distributeur	52

**Section 2
Installation**

Conditions requises d'emplacement	53
Températures minimum/maximum	53
Conditions d'espace requises pour la machine à glaçons	53
Conditions d'espace requises pour l'unité de condensation	53
Conditions requises d'installation	54
Retrait du bouchon de vidange et mise à niveau du bac de stockage de glaçons	54
Alimentation électrique	55
Généralités	55
Fusible/Disjoncteur	55
Courant admissible de circuit minimum	55
Différentiel	55
Conditions électriques requises	56
Unités de condensation ICVD	56
Partie principale de la machine à glaçons QuietQube®	57
Interconnecting wiring	58
UL rated to 300 Volts	58
.....	58
Alimentation en eau et évacuations	59
Conditions requises pour l'eau potable	59
Raccordements d'évacuation	59
Dimensionnement/Raccordement des conduites d'alimentation en eau et d'évacuation	60
Applications avec tour de refroidissement	60
Installation du système de réfrigération	61
Installation des conduites de réfrigération	62
Avant la mise en marche de la machine à glaçons	66
Régler la date et l'heure	66
Défauts usine	67

**Section 3
Fonctionnement**

Caractéristiques Panneau de commande	69
Boutons	69
Panneau d'affichage	69
Vue d'ensemble de Navigation Menu	70
Navigation Panneau d'affichage	71
Alertes et Messages	71
Menu principal	72
Menu Info machine	72
Menu Config	72
Heure et Date	73

Table des matières (suite)

Langue	73
Lorsque la Coche représente votre préférence, utiliser le bouton Bas pour naviguer jusqu'à Sortie et appuyer sur la Coche. L'écran reviendra au menu Config.	73
Configuration de l'heure	73
Unités	73
Clarté de la glace	73
Brillance LED	73
Défauts usine	74
Rappel nettoyage	74
Durée SyNA	74
Filtre air	74
Filtre eau	75
LuminIce™	75
Réglage USB	75
Menu Écono éner g	76
Éco eau	76
Programmation glace	76
Statistiques	76
Menu Service	77
Historique	77
Don temp rée	77
Diagnostics	77
Recueil manuel	77
Séquence de fabrication des glaçons	78
Limites de sécurité	78
Vérifications opérationnelles	79
Généralités	79
Contrôle de l'épaisseur des glaçons	79

Section 4 Entretien

Nettoyage et désinfection	81
Procédure de nettoyage et de désinfection	81
Procédure de nettoyage pour l'entretien préventif	81
Nettoyage extérieur	81
Procédure de nettoyage et de désinfection	82
Procédure de nettoyage	82
Procédure de désinfection	83
Retrait des pièces pour le nettoyage/la désinfection	84
Procédure de nettoyage pour l'entretien préventif	87
Nettoyage du condenseur	87
Mise hors service/Hivér isation	88
Retrait des portes	88

Section 5
Service clientèle

Liste de vérification avant d'appeler le service technique 89
 Fonction de limite de sécurité 90
Garantie commerciale de la machine à glaçons 91
Garantie limitée résidentielle de la machine à glaçons 92

Section 1

Généralités

Références des modèles

Le présent manuel s'applique aux modèles suivants :

Partie principale de la machine à glaçons	Unité de condensation ICVD®
ID0682C ID0686C IY0684C IY0686C IB0694YC IB0696YC	ICVD0695
ID0686C IY0686C IB0696YC	ICVD0696
ID0872C IY0874C IB0894YC	ICVD0895
ID0876C IY0876C IB0896YC	ICVD0896
ID0976C IY0976C	ICVD0996
ID1072C IY1074C	ICVD1095
ID1076C IY1076C	ICVD1096
IB1094YC	ICVD1195
IB1096YC	ICVD1096
ID1176C IY1176C	ICVD1195
ID1472C IY1474C	ICVD1495
ID1476C IY1476C	ICVD1496
ID1872C IY1874C	ICVD1895
ID1876C IY1876C	ICVD1896
ID2172C IY2174C	ICVD2095
ID2176C IY2176C	ICVD2096

Avertissement

Ne pas utiliser un équipement qui aura été mal utilisé, abusé, négligé, endommagé ou dont les spécifications originales de fabrication auront été altérées/modifiées.

Le présent appareil ne doit pas être utilisé par des personnes (enfants y compris) ayant des capacités physiques, sensorielles ou mentales diminuées, ou ayant un manque d'expérience et de connaissance, à moins que celles-ci n'aient reçu une formation sur l'utilisation de l'appareil par une personne responsable de leur sécurité.

DÉFLECTEUR DE GLAÇONS

Un déflecteur est requis pour toutes les machines à glaçons installées sur un bac. Un déflecteur n'est pas requis pour les machines à glaçons installées sur un distributeur.

Avertissement

Les machines à glaçons Manitowoc requièrent un déflecteur lorsqu'elles sont installées sur un bac de stockage de glaçons.

Avant toute utilisation d'un système de stockage de glaçons autre que Manitowoc avec des machines à glaçons Manitowoc, contacter le fabricant pour s'assurer de la compatibilité du déflecteur avec les machines à glaçons Manitowoc.

Avertissement

Les machines à glaçons I1470C/I1870C/I2170C ne sont pas homologuées pour être utilisées sur les bacs Manitowoc B570.

Avertissement

Les machines à glaçons I3000C ne sont homologuées que pour être utilisées sur les bacs Manitowoc B1100-00/B1400-00.

Avertissement

Les enfants doivent être supervisés pour s'assurer qu'ils ne jouent pas avec la machine à glaçons, le bac ou le distributeur.

INSTALLATION DU BAC

- Toutes les machines à glaçons installées sur un bac requièrent un déflecteur de glaçons.
- Les bacs Manitowoc sont équipés d'un déflecteur et ne nécessitent aucune modification lorsqu'ils sont utilisés avec un évaporateur tourné vers l'avant.
- Les machines à glaçons comportant plusieurs évaporateurs nécessitent un kit déflecteur.

LuminIce™

L'inhibiteur de croissance LuminIce™ fait circuler l'air dans la zone alimentaire de la machine à glaçons sur une ampoule UV. Ce procédé entravera la croissance de micro-organismes communs sur toutes les surfaces exposées de la zone alimentaire.

- Les ampoules LuminIce™ doivent être remplacées sur une base annuelle. Même si l'ampoule illuminera encore après 12 mois, l'efficacité de l'ampoule diminue au fur et à mesure que les heures de fonctionnement augmentent. Pour garder une efficacité maximale, remplacer l'ampoule tous les 12 mois.
- Le tableau de commande peut être réglé pour afficher automatiquement un rappel après 12 mois. Se référer à la Section 2 pour des détails complets.

Procédure de nettoyage lors d'un bris accidentel de l'ampoule

La procédure de nettoyage est identique à la procédure utilisée pour nettoyer la lampe fluorescente compacte (LFC) ou les tubes fluorescents. Ces lampes contiennent une petite quantité de mercure scellé dans le tube de verre. Briser ce type de lampes relâchera du mercure et des vapeurs de mercure. L'ampoule brisée peut continuer de relâcher des vapeurs de mercure jusqu'à ce qu'elle soit nettoyée et enlevée.

Les procédures les plus récentes de l'EPA peuvent être consultées sur leur site web au www.epa.gov/cfl/cflcleanup.html.

INSTALLATION DU DISTRIBUTEUR

- Un adaptateur est nécessaire pour toutes les installations des machines à glaçons « Ice Beverage ».
- Aucun adaptateur n'est requis pour les machines adaptées aux dimensions du distributeur sauf spécification du fabricant du distributeur.
- Aucun déflecteur n'est requis sauf spécification du fabricant du distributeur.
- Il est recommandé d'installer un thermostat de bac pour contrôler le niveau de la glace.

Section 2 Installation



Avertissement

RISQUE DE BLESSURES CORPORELLES

Retirer tous les panneaux de la machine à glaçons avant de la soulever ou l'installer.

Conditions requises d'emplacement

Le choix de l'emplacement pour la machine à glaçons doit respecter les critères suivants. Si l'un de ces critères n'est pas respecté, choisir un autre emplacement.

- L'emplacement doit être exempt d'agents aéroportés et de toute autre substance contaminante.
- L'emplacement ne doit pas se trouver à proximité d'appareils générateurs de chaleur ou à la lumière directe du soleil.
- L'emplacement doit pouvoir supporter le poids de la machine à glaçons et un bac plein de glaçons.
- L'emplacement doit prévoir suffisamment de dégagement pour les prises d'eau, raccordements de vidange et raccordements électriques à l'arrière de la machine à glaçons.
- L'emplacement ne doit pas obstruer l'écoulement d'air dans la machine ou autour de celle-ci.
- L'emplacement ne doit pas permettre à la chaleur du ventilateur et/ou à la graisse de pénétrer dans le condenseur.
- L'emplacement doit permettre aux conduites électriques, de l'eau, de vidange et réfrigération de pénétrer dans la machine à glaçons de l'arrière.
- En fonction des conditions d'eau locales, il peut s'avérer nécessaire de traiter l'eau pour empêcher la formation de tartre, filtrer les sédiments et éliminer le goût et l'odeur du chlore.

Ces machines à glaçons sont prévues pour un usage domestique et applications similaires telles :

- Les cuisinettes d'employés dans des magasins, des bureaux et autres environnements de travail
- Les clients des hôtels, des motels, des auberges, des chambres d'hôtes et autres environnements de type résidentiel
- Restauration et applications similaires non au détail

TEMPÉRATURES MINIMUM/MAXIMUM

Modèle	Température minimum de l'air	Température maximum de l'air
Toutes les parties principales de la machine à glaçons	2 °C 35 °F	43 °C 110 °F
ICVD0695 - ICVD0696 ICVD1195 - ICVD1196 ICVD2095 - ICVD2196	-29 °C -20 °F	49 °C 120 °F
ICVD0895 - ICVD0896 ICVD0996 ICVD1095 - ICVD1096 ICVD1495 - ICVD1496 ICVD1895 - ICVD1896	-29 °C -20 °F	54 °C 130 °F

CONDITIONS D'ESPACE REQUISES POUR LA MACHINE À GLAÇONS

Modèle	Haut	Arrière	Côtés
I0600C - I0686C I0870C - I0876C I0976C I1070C - I1076C I1176C I1470C - I1476C I1870C - I1876C I2170C - I2176C	13 cm 5 po	*8 - 13 cm *3 - 5 po	13 cm 5 po
IB0690C IB0890C - IB0896 IB1090C - IB1096	5 cm 2 po	13 cm 5 po	20 cm 8 po
* Acheminement des services publics par le haut – Acheminement des services publics par l'arrière			
** 61 cm (24 po) est recommandé sur tous les côtés			

CONDITIONS D'ESPACE REQUISES POUR L'UNITÉ DE CONDENSATION

Modèle	Haut/Côtés	Arrière	Avant
ICVD0695 - ICVD696 ICVD0895 - ICVD896 ICVD0996 ICVD1095 - ICVD1096 ICVD1195 - ICVD1196 ICVD1495 - ICVD1496 ICVD1895 - ICVD1896 ICVD2095 - ICVD2096	*0 cm *0 po	122 cm 48 po	122 cm 48 po
* 61 cm (24 po) est recommandé sur le haut/les côtés			

Conditions requises d'installation

- Le panneau supérieur de la machine à glaçons peut être coupé à l'aide d'une pince aviateur afin de permettre aux conduites, conduite d'eau et raccordements électriques de sortir par le haut. Couper uniquement ce qu'il faut, la tôle en retrait du panneau arrière doit supporter le panneau supérieur.
- La machine à glaçons et le bac doivent être nivelés.
- Ventiler les lignes d'évacuation de la machine à glaçons et du bac séparément.
- Le raccordement de la ligne d'évacuation du bac doit comporter un espace d'air.
- L'entrée d'eau et le raccordement électrique doivent comporter une boucle de service pour permettre un accès futur.
- La ligne d'évacuation doit comporter un raccord-union ou tout autre moyen de déconnexion adapté au niveau de la machine à glaçons.
- La machine à glaçons et le bac doivent être aseptisés après l'installation.
- Les réglages de routine et les procédures de maintenance périodique indiqués dans ce manuel ne sont pas couverts par la garantie.

Retrait du bouchon de vidange et mise à niveau du bac de stockage de glaçons

1. Retirer le bouchon fileté du raccord de vidange.
2. Visser les pattes de nivellement sur le dessous du bac.
3. Visser le pied de chaque patte aussi loin que possible.

 **Attention**

Les pattes doivent être bien serrées pour les empêcher de se courber.

4. Déplacer le bac dans sa position définitive.
5. Nivelier le bac pour s'assurer que la porte du bac se ferme bien hermétiquement. Utiliser un niveau sur le dessus du bac. Tourner la base de chaque pied pour nivelier le bac, le cas échéant.
6. Inspecter le joint de bac avant l'installation de la machine à glaçons. (Les bacs Manitowoc sont livrés avec un joint en plastique à alvéoles fermés installé le long de la surface supérieure du bac.)
7. Retirer tous les panneaux de la machine à glaçons avant de la soulever et de l'installer sur le bac. Retirer les deux panneaux avant, le couvercle supérieur, les panneaux gauche et droit.

Alimentation électrique

GÉNÉRALITÉS

Avertissement

Tout le câblage doit être conforme aux codes locaux, régionaux et nationaux.

Avertissement

La machine à glaçons et l'unité de condensation doivent être mises à la terre conformément aux codes de l'électricité nationaux et locaux.

Tous les travaux électriques, notamment l'acheminement et la mise à la terre des câbles, doivent être conformes aux codes de l'électricité locaux, régionaux et nationaux. Respecter les précautions suivantes :

- La machine à glaçons doit être mise à la terre.
- Un fusible/disjoncteur séparé doit être fourni pour chaque unité de condensation.
- Un électricien qualifié doit déterminer la dimension de câble appropriée en fonction de l'emplacement, des matériaux utilisés et de la longueur de la conduite (un courant admissible minimum peut être utilisé pour sélectionner la dimension du câble).
- La variation de tension admissible maximale est de +/-10 de la tension nominale au démarrage du compresseur (lorsque la charge électrique est la plus haute).
- Inspecter toutes les vis de terre vertes dans le boîtier de commande et vérifier qu'elles sont bien serrées avant de mettre en marche la machine à glaçons.
- Vérifier que la polarité est correcte. Une polarité incorrecte peut entraîner un fonctionnement erratique de la machine à glaçons et constituer un problème de sécurité. Ceci est particulièrement critique sur les machines à glaçons 230 volts / 50 cycles.

Important

Observer la polarité correcte de la tension de la ligne d'arrivée. Une polarité incorrecte peut entraîner un fonctionnement erratique de la machine à glaçons.

FUSIBLE/DISJONCTEUR

La partie tête de la machine à glaçons et l'unité de condensation sont câblées indépendamment l'une de l'autre.

Un circuit spécialisé et un fusible/disjoncteur séparé sont requis pour chaque machine à glaçons et unité de condensation.

COURANT ADMISSIBLE DE CIRCUIT MINIMUM

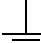
Le courant admissible de circuit minimum permet de sélectionner la dimension de câble de l'alimentation électrique. (Le courant admissible de circuit minimum n'est pas la charge d'intensité de fonctionnement de la machine à glaçons.) La dimension de câble (ou le calibre) dépendant également de l'emplacement, des matériaux utilisés, de la longueur de la conduite, etc., celle-ci doit être déterminée par un électricien qualifié.

DIFFÉRENTIEL

Nous ne recommandons pas l'emploi d'une protection de circuit GFCI/GFI avec notre équipement. Si un GFCI/GFI est exigé par le code, utiliser un disjoncteur GFCI/GFI plutôt qu'une prise qui est plus encline à des défaillances parasites intermittentes que des disjoncteurs de panneau.

Royaume-uni uniquement

Étant donné que les couleurs de câbles du réseau principal de l'appareil risquent de ne pas correspondre aux marquages en couleur identifiant les bornes de la prise, procéder comme suit :

- Le câble de couleurs vert et jaune doit être raccordé à la borne de prise marquée de la lettre E ou du symbole de terre vert  ou de couleur verte ou vert et jaune.
- Le câble de couleur bleue doit être raccordé à la borne marquée de la lettre N ou de couleur noire.
- Le câble de couleur marron doit être raccordé à la borne marquée de la lettre L ou de couleur rouge.

Conditions électriques requises

Le code de l'électricité local ou régional, la longueur de câble ou les matériaux utilisés peuvent augmenter les conditions minimales requises de taille de câble ou de disjoncteur. Un électricien qualifié doit déterminer la taille du câble et du disjoncteur et ce, bien que la taille de câble minimale doive satisfaire, voire excéder, les spécifications de ces tables. Consulter la plaque de série de l'unité de condensation pour vérifier les données électriques.

Important

En raison des améliorations continues, cette information n'est donnée qu'à titre de référence. Consulter l'étiquette de numéro de série de l'unité de condensation pour vérifier les données électriques. L'information de l'étiquette de série annule l'information indiquée sur cette page.



Avertissement

ICVD2095 UNIQUEMENT

Raccorder le câblage d'alimentation en courant directement à L1 et L2 sur le contacteur. Serrer les vis à la spécification de valeur de couple sur l'étiquette du contacteur. Respecter tous les codes de l'électricité locaux, régionaux et nationaux.

UNITÉS DE CONDENSATION ICVD

Unité de condensation	Tension/Phase/Cycle	Fusible/Disjoncteur maximum	Intensité minimale du circuit	Dimension de câble minimale requise par Manitowoc
ICVD0695	208-230/1/60	15 amp	11.0	Conducteur en cuivre massif n° 12
	208-230/3/60	15 amp	7.5	Conducteur en cuivre massif n° 12
	230/1/50	15 amp	11.0	Conducteur en cuivre massif n° 12
ICVD0696	208-230/1/60	15 amp	11.6	Conducteur en cuivre massif n° 12
	208-230/3/60	15 amp	10.2	Conducteur en cuivre massif n° 12
	230/1/50	15 amp	10.2	Conducteur en cuivre massif n° 12
ICVD0895	208-230/1/60	20 amp	11.8	Conducteur en cuivre massif n° 10
	208-230/3/60	15 amp	9.1	Conducteur en cuivre massif n° 12
	230/1/50	20 amp	11.8	Conducteur en cuivre massif n° 10
ICVD0896	208-230/1/60	20 amp	11.8	Conducteur en cuivre massif n° 10
	208-230/3/60	15 amp	9.1	Conducteur en cuivre massif n° 12
	230/1/50	20* amp	11.8	Conducteur en cuivre massif n° 10
ICVD0996	208-230/1/60	20 amp	12.5	Conducteur en cuivre massif n° 10
	208-230/3/60	15 amp	9.5	Conducteur en cuivre massif n° 12
	230/1/50	20 amp	12.5	Conducteur en cuivre massif n° 10
ICVD1095	208-230/1/60	20 amp	15.0	Conducteur en cuivre massif n° 10
	208-230/3/60	15 amp	15.0	Conducteur en cuivre massif n° 12
	230/1/50	20 amp	15.0	Conducteur en cuivre massif n° 10
ICVD1096	208-230/1/60	20* amp	15.0*	Conducteur en cuivre massif n° 10
	208-230/3/60	15* amp	15.0*	Conducteur en cuivre massif n° 12
	230/1/50	20* amp	15.0*	Conducteur en cuivre massif n° 10
ICVD1195	208-230/1/60	25 amp	14.5	Conducteur en cuivre massif n° 8
	208-230/3/60	15 amp	9.3	Conducteur en cuivre massif n° 10
	230/1/50	35 amp	15.7*	Conducteur en cuivre massif n° 8
ICVD1195 Bristol Compressor	208-230/1/60	25 amp	14.2	Conducteur en cuivre massif n° 8
	208-230/3/60	15 amp	9.5	Conducteur en cuivre massif n° 10
	230/1/50	35 amp	15.7*	Conducteur en cuivre massif n° 8
ICVD1196	208-230/1/60	35* amp	25.0*	Conducteur en cuivre massif n° 8
	208-230/3/60	25* amp	20.0*	Conducteur en cuivre massif n° 10
	230/1/50	35* amp	25.0*	Conducteur en cuivre massif n° 8

ICVD1495	208-230/1/60	20 amp	20.0	Conducteur en cuivre massif n° 10
	208-230/3/60	15 amp	15.0	Conducteur en cuivre massif n° 12
	230/1/50	20amp	20.0	Conducteur en cuivre massif n° 8
ICVD1496	208-230/1/60	20 amp	11.7	Conducteur en cuivre massif n° 10
	208-230/3/60	15 amp	8.9	Conducteur en cuivre massif n° 12
	230/1/50	20 amp	11.7*	Conducteur en cuivre massif n° 8
ICVD1895	208-230/1/60	40 amp	25.0	Conducteur en cuivre massif n° 8
	208-230/3/60	25 amp	20.0	Conducteur en cuivre massif n° 10
	230/1/50	40 amp	25.0	Conducteur en cuivre massif n° 8
ICVD1896	208-230/1/60	40* amp	25.0*	Conducteur en cuivre massif n° 8
	208-230/3/60	25* amp	20.0*	Conducteur en cuivre massif n° 10
	230/1/50	30* amp	20.0*	Conducteur en cuivre massif n° 8
ICVD2095**	208-230/1/60	40 amp	30.0	Conducteur en cuivre massif n° 6
	208-230/3/60	20 amp	20.0	Conducteur en cuivre massif n° 10
ICVD2096**	208-230/1/60	50 amp	40.0	Conducteur en cuivre massif n° 6
	208-230/3/60	30 amp	30.0	Conducteur en cuivre massif n° 10

***ICVD2095 uniquement** - Vérifier que le sens de la rotation est correct sur le compresseur à volute 3ph. La machine à glaçons aura une pression d'aspiration haute, une pression de refoulement basse et sera particulièrement bruyante. Inverser deux fils d'alimentation entrante pour inverser la rotation.

PARTIE PRINCIPALE DE LA MACHINE À GLAÇONS QUIETQUBE®

Machine à glaçons	Tension Phase Cycle	Fusible/ Disjoncteur maximum	Intensité minimale du circuit	Intensité totale du circuit	**Dimension de câble minimale requise par Manitowoc	Dimension de disjoncteur minimale requise par Manitowoc
I0600C - I0686C	115/1/60	15 A	1,1	S/O	Conducteur en cuivre massif n° 14	15 A
	230/1/50	15 A	0,6			15 A
I0870C - I0876C	115/1/60	15 A	1,1	S/O	Conducteur en cuivre massif n° 14	15 A
	230/1/50	15 A	1,5			15 A
I0970C	115/1/60	15 A	1,1	S/O	Conducteur en cuivre massif n° 14	15 A
	230/1/50	15 A	1,5			15 A
IB0600C IB0870C - IB0876C IB1070C - IB1076C	115/1/60	15 A	S/O	1,4 0,8	Conducteur en cuivre massif n° 14	15 A
	230/1/50	15 A				15 A
I1070C - I1076C	115/1/60	15 A	2,5	S/O	Conducteur en cuivre massif n° 14	15 A
	230/1/50	15 A	1,5			15 A
I1470C - I1476C I1870C - I1876C I2170C - I2176C	115/1/60	15 A	1,1	S/O	Conducteur en cuivre massif n° 14	15 A
	208-230/1/60	15 A	0,6			15 A
	230/1/50	15 A	0,6			15 A

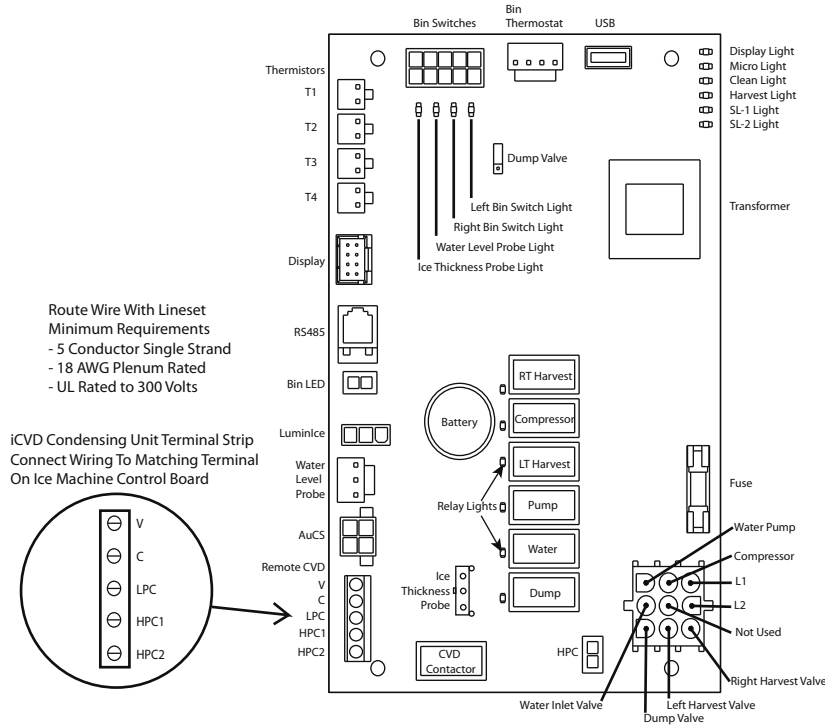
** Tous les conducteurs doivent en cuivre massif

INTERCONNECTING WIRING

Indigo QuietQube ice machines require interconnecting low voltage wiring (included with Manitowoc line sets) to energize the contactor coil and verify the LPCO & HPCO are closed. This circuit also initiates a time delay whenever the LPCO or HPCO open. Failure to properly wire the ICVD condensing unit or ice machine head section will result in a non-operational machine. Refer to the Indigo Technicians Handbook for normal operation and diagnostics for the HPCO & LPCO controls. Connections on an RDI condensing unit are identical to the ICVD connections.

Wire Specifications:

- 18 AWG - 5 Conductor, Single Strand
 - Plenum Rated
- UL rated to 300 Volts



Alimentation en eau et évacuations

CONDITIONS REQUISES POUR L'EAU POTABLE

En fonction des conditions d'eau locales, il peut s'avérer nécessaire de traiter l'eau pour empêcher la formation de tartre, filtrer les sédiments et éliminer le goût et l'odeur du chlore.

Suivre ces directives pour l'installation des lignes d'arrivée d'eau :

- La tuyauterie doit être conforme aux codes locaux.
- Ne pas raccorder la machine à glaçons à une alimentation en eau chaude. S'assurer que tous les restricteurs d'eau chaude installés pour les autres appareils fonctionnent (clapets de non-retour sur robinets d'éviers, lave-vaisselle, etc.)
- Si la pression de l'eau dépasse la pression maximale recommandée de 552 kPa (80 psig), se procurer un régulateur de pression d'eau auprès d'un distributeur Manitowoc.
- Installer un robinet d'arrêt de l'eau et un raccord-union pour les lignes du condenseur en eau potable et eau refroidie.
- Isoler les lignes d'arrivée d'eau pour éviter les problèmes de condensation.



Avertissement

Connecter à une alimentation en eau potable uniquement.



Attention

Ne pas appliquer de chaleur au raccord d'arrivée d'eau. La chaleur endommagera la connexion d'arrivée d'eau en plastique à l'intérieur de la machine à glaçons.

RACCORDEMENTS D'ÉVACUATION

- Les lignes d'évacuation doivent avoir une inclinaison de 2,5 cm par mètre (1,5 po par 5 pi) et ne doivent pas créer de siphons.
- Le siphon de sol doit être suffisamment grand pour recevoir l'eau provenant de toutes les évacuations.
- Faire fonctionner séparément les lignes d'évacuation du bac et de la machine à glaçons. Les isoler pour prévenir la condensation.
- Ventiler le bac et la ligne d'évacuation de la machine à glaçons dans l'atmosphère. L'évacuation de la machine à glaçons requiert une ventilation de 45,7 cm (18 po). Ne pas ventiler l'évacuation du condenseur sur les modèles refroidis à l'eau.
- Les évacuations doivent être équipées d'un raccord-union ou de tout autre moyen adapté permettant de déconnecter la machine à glaçons pour des raisons de maintenance.
- Siphon de base – Utiliser une tubulure en CPVC de 1/2 po et un produit d'étanchéité au silicone pour raccorder à ce siphon optionnel.

DIMENSIONNEMENT/RACCORDEMENT DES CONDUITES D'ALIMENTATION EN EAU ET D'ÉVACUATION

⚠ Attention
La tuyauterie doit être conforme aux codes locaux et nationaux.

Emplacement	Température de l'eau	Pression d'eau Mini/Maxi	Raccordement de la machine à glaçons	Dimension de tubulure minimale jusqu'à raccordement de machine à glaçons
Arrivée d'eau pour la fabrication de glaçons	2 °C (35 °F) Mini 32 °C (90 °F) Maxi	140 / 550 kPa 20 / 80 psi	3/8 po FPT	10 mm (3/8 po) DI
Évacuation d'eau pour la fabrication de glaçons	----	----	1/2 po FPT	13 mm (1/2 po) DI
Évacuation de bac	----	----	3/4 po FPT	19 mm (3/4 po) DI
Évacuation de bac grande capacité	----	----	1 po FPT	25 mm (1 po) DI
FPT = Filetage femelle de tuyau		DI = Diamètre intérieur	Mini = Minimum	Maxi = Maximum

APPLICATIONS AVEC TOUR DE REFROIDISSEMENT

(Modèles refroidis par eau uniquement)

Une installation avec tour de refroidissement à eau ne requiert pas de modification de la machine à glaçons. Le régulateur d'eau du condenseur continue de contrôler la pression de refoulement de réfrigération.

Il est nécessaire de connaître la quantité de chaleur rejetée ainsi que la chute de pression dans le condenseur et les robinets d'eau (entrée et sortie) lors de l'utilisation d'une tour de refroidissement sur une machine à glaçons.

- La température de l'eau arrivant dans le condenseur ne doit pas dépasser 32 °C (90 °F).
- La quantité d'eau traversant le condenseur ne doit pas dépasser 19 litres (5 gallons) par minute.
- Prévoir une chute de pression de 1030 kPa (8 psi) entre l'arrivée d'eau du condenseur et la sortie de la machine à glaçons.
- La température de l'eau sortant dans le condenseur ne doit pas dépasser 43 °C (110 °F).
- Ne pas raccorder au système de filtration d'eau potable
- Contacter un distributeur si la pression d'eau est supérieure à 1030 kPa (150 psig). Une unité de

condensation sur commande spéciale est disponible pour une pression d'eau allant jusqu'à 2410 kPa (350 psig).

Important

L'État du Massachusetts exige que tous les modèles refroidis à l'eau soient raccordés uniquement à un système de tour de refroidissement à boucle fermée.

Installation du système de réfrigération

QuietQube® Machine à glaçons	Condenseur à circuit unique à distance	Conduites*
I0670C IB690C	ICVD0695	RC-26 RC-36 RC-56
I0870C IB890C	ICVD0895	
I0970C	ICVD0996	
I1070C	ICVD1095	
IB1090C I1176C	ICVD1195	RC-25 RC-35 RC-55
I1470C	ICVD1495	
I1870C	ICVD1895	RC-28 RC-38 RC-58
I2170C	ICVD2095	

*Conduites	Conduite d'aspiration	Conduite de liquide	Épaisseur minimale d'isolation
RC 26/36/56	16 mm (5/8 po)	10 mm (3/8 po)	Conduite d'aspiration 13 mm (1/2 po) Conduite de liquide 7 mm (1/4 po)
RC 25/35/55	19 mm (3/4 po)	13 mm (1/2 po)	Conduite d'aspiration 13 mm (1/2 po) Conduite de liquide 7 mm (1/4 po)
RC 28/38/58	19 mm (3/4 po)	16 mm (5/8 po)	Conduite d'aspiration 13 mm (1/2 po) Conduite de liquide 7 mm (1/4 po)

Important

Les systèmes à distance Manitowoc ne sont approuvés et garantis qu'en tant qu'ensemble neuf complet. La garantie du système de réfrigération sera nulle si une nouvelle partie principale de machine à glaçons est raccordée à une tubulure ou à des unités de condensation préexistantes (usagées) ou vice versa.

⚠ Attention

La garantie du système de réfrigération n'entre pas en vigueur dans le cas où la machine à glaçons Manitowoc et l'unité de condensation Manitowoc ICVD ne sont pas installées conformément aux spécifications. La présente garantie ne s'applique pas non plus si le système de réfrigération est modifié par un condenseur, un récupérateur de chaleur ou d'autres pièces ou ensembles non fabriqués par Manitowoc.

Quantités de liquide frigorigène pour la machine à glaçons

PARTIE PRINCIPALE DE LA MACHINE À GLAÇONS

Chaque partie principale de machine à glaçons est expédiée de l'usine avec une charge en liquide frigorigène R-404A adéquate pour le fonctionnement du système entier. L'étiquette de série figurant sur la machine à glaçons indique la charge en liquide frigorigène. La charge en liquide frigorigène est suffisante pour faire marcher la machine à glaçons à toutes les conditions ambiantes avec des longueurs de conduites allant jusqu'à 30 m (100 pi).

⚠ Avertissement

Situation comportant un risque de blessure corporelle

La partie principale de la machine à glaçons contient une charge en liquide frigorigène. L'installation et le brasage des conduites doivent être effectués par un technicien qualifié et certifié dans le secteur de la réfrigération par l'EPA, et qui soit informé des **dangers que comportent les équipements chargés de liquide frigorigène**.

⚠ Avertissement

L'installation d'une unité de condensation QuietQube® peut nécessiter l'utilisation d'un équipement spécial pour son placement. Un personnel formé et qualifié est exigé pour les opérations de levage et de manœuvre. Des trous sont prévus dans les angles de l'unité de condensation pour permettre l'utilisation de jumelles de remorquage.

INSTALLATION DES CONDUITES DE RÉFRIGÉRATION

Les conditions requises suivantes garantissent un retour d'huile correct.

L'installateur des conduites de réfrigération doit être certifié/homologué dans le secteur de manipulation de liquide frigorigène et d'entretien.

⚠ Avertissement

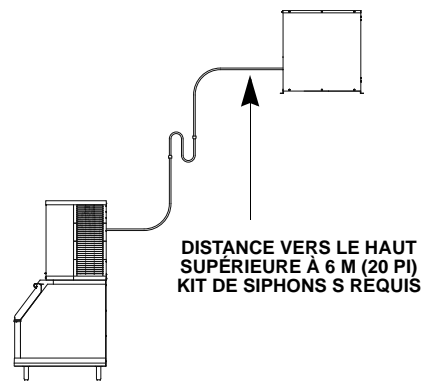
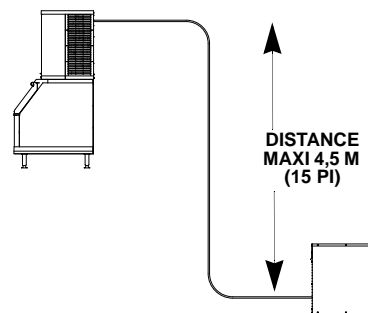
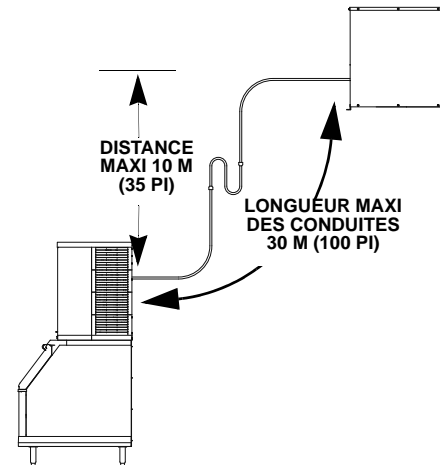
La partie principale de la machine à glaçons contient une charge de liquide frigorigène. La partie principale de la machine à glaçons contient des robinets de réfrigération qui **doivent rester fermés** jusqu'à l'installation appropriée complète des conduites.

⚠ Avertissement

Mettre la partie principale de la machine à glaçons et l'unité de condensation ICVD® hors tension avant de procéder.

Étape 1 Conditions requises relatives aux conduites

- La longueur de conduites maximale est de 30 m (100 pi).
- La distance maximale vers le haut est de 10 m (35 pi).
- La distance maximale vers le bas est de 4,5 m (15 pi).
- La conduite d'aspiration requiert l'installation d'un siphon d'huile si la distance vers le haut est supérieure à 6 m (20 pi).
- La longueur maximale des conduites pouvant être installées sur le toit est égale à 25 % de la longueur totale des conduites.
- Les conduites ne doivent comporter qu'un seul siphon.
- Raccourcir les conduites selon les besoins mais ne pas les enrouler.
- Une personne qualifiée doit effectuer toutes les pénétrations de toit.



Kit de siphons S Manitowoc

Modèle	Numéro de kit de siphons S	Dimensions de tubulure
I0600C IB600C I0800C IB800C I0970C I1000C	K00172	5/8 po (15,9 mm)
IB1000C I1470C I1870C I2170C	K00166	3/4 po (19,1 mm)

Étape 2 Sécuriser le condenseur

Des trous traversants sont prévus pour sécuriser le condenseur à un muret, une étagère ou une poutre en bois.

Étape 3 Acheminement des tuyaux de réfrigération

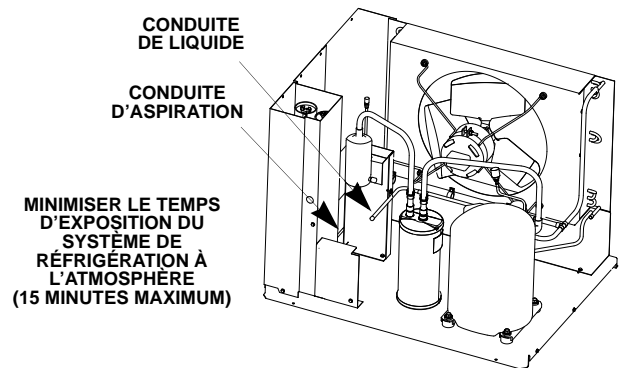
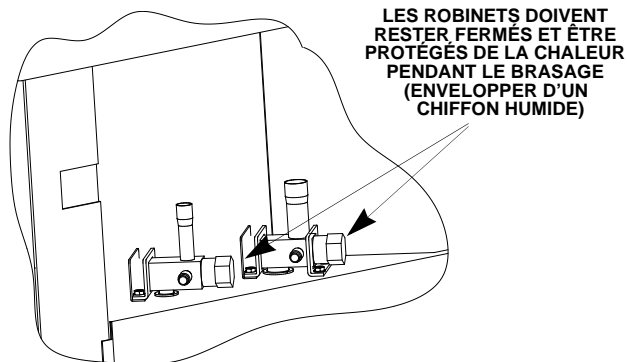
Acheminer correctement les tuyaux de réfrigération entre la partie principale de la machine à glaçons et l'unité de condensation ICVD®.

Les conduites peuvent être acheminées par le haut ou par l'arrière de la partie principale de la machine à glaçons.

- Un acheminement par le haut nécessite le découpage du couvercle.
- Un acheminement par l'arrière peut nécessiter l'emploi de coudes à 90°.

Étape 4 Raccordement des conduites

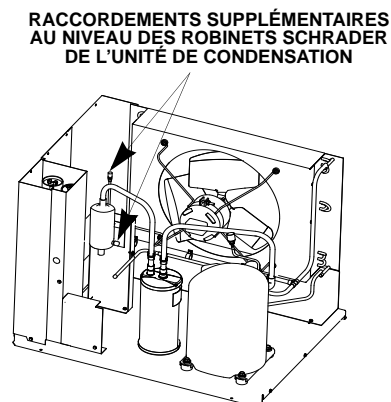
- Le système de réfrigération peut être en contact avec l'atmosphère pendant 15 minutes maximum.
- Purger les conduites avec de l'azote sec lors du brasage.
- Les robinets d'arrêt des conduites de la machine à glaçons doivent rester fermés et protégés de la chaleur pendant le brasage.
- L'unité de condensation est expédiée de l'usine avec un mélange 50/50 azote/hélium.



Étape 5 Essai en pression et purge des conduites et de l'unité de condensation ICVD

- Les robinets d'arrêt des conduites doivent rester fermés jusqu'à la fin des essais de pression et de l'évacuation.
- Il est recommandé d'utiliser des outils permettant de retirer et d'installer les cartouches des robinets Schrader sans retirer les tuyaux des manomètres pour diminuer la durée de l'évacuation.
- Effectuer un essai de pression à 1000 kPa (150 psi) pendant 15 minutes minimum.
- Le niveau minimum d'évacuation est de 500 microns.

Effectuer un essai de pression des conduites et de l'unité de condensation ICVD® avec 1034 kPa (150 psig) d'azote sec. Ajouter l'azote au niveau des robinets d'arrêt des conduites situés à l'arrière de la partie principale de la machine à glaçons ou à partir des robinets schrader situés dans l'unité de condensation ICVD®. Compléter l'essai de pression, s'assurer qu'il n'y a aucune fuite et enlever l'azote du système avant de procéder au raccordement de la pompe à vide.



Une valve de contrôle est présente dans la conduite de décharge du compresseur. La valve de contrôle requiert des raccords d'évacuation au niveau de 4 points.

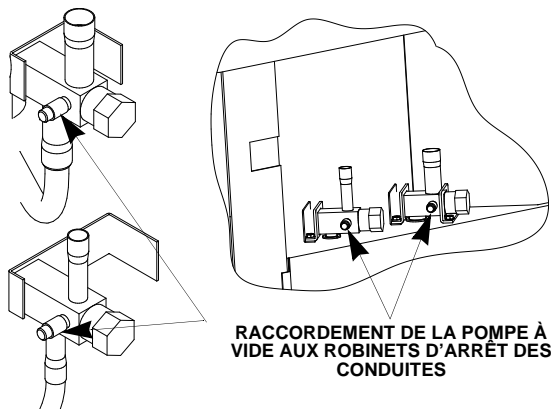
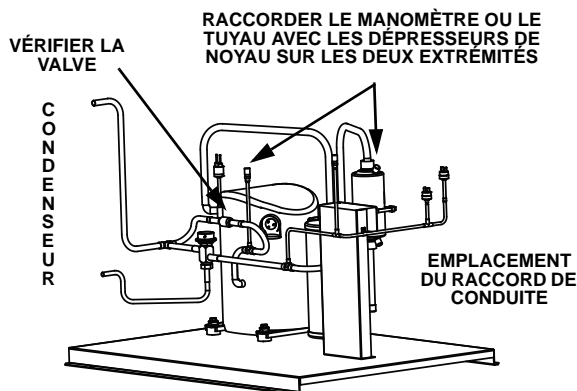
Partie principale de la machine à glaçons

1. Valve d'accès inférieure
2. Valve d'accès supérieure

Unité de condensation ICVD

3. Valve d'accès de la décharge du compresseur
4. Valve d'accès du filtre d'aspiration

Le raccord d'un manomètre (ou un tuyau avec dépresseurs de noyau sur les deux extrémités) entre le port d'accès du filtre d'aspiration et la valve d'accès du compresseur (située entre le compresseur et la valve de contrôle de la conduite de décharge) est nécessaire.



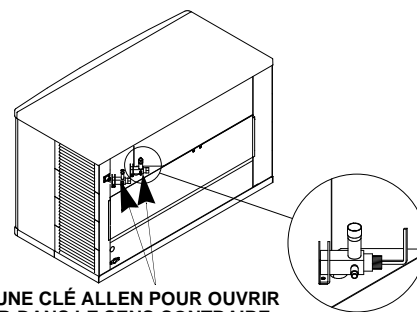
Étape 6 Ouvrir les robinets des conduites et du récepteur

Le débit du liquide frigorigène n'est pas audible lorsque les robinets sont ouverts. Le liquide frigorigène ne s'écoulera pas tant que la machine à glaçons n'est pas en marche et que l'électrovanne n'est pas ouverte.

- Tous les bouchons des robinets doivent être réinstallés, serrés et vérifiés pour toute fuite éventuelle afin de s'assurer qu'il n'existe pas de fuite de liquide frigorigène.
- Tourner dans le sens contraire des aiguilles d'une montre pour ouvrir tous les robinets :
 - A. Consulter la table et ouvrir les robinets d'arrêt des conduites d'aspiration et de liquide du nombre correct de tours de 360°.

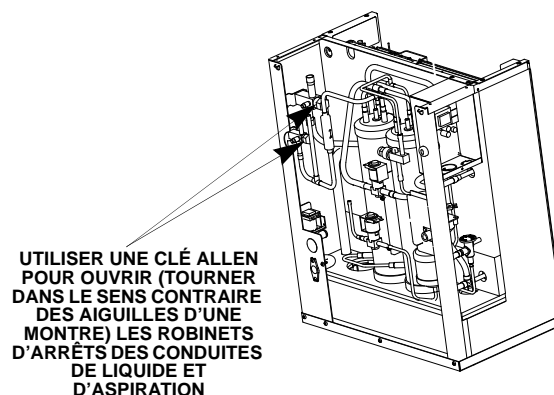
Robinet Tuyaux Dimension	Nombre de tours pour ouvrir
3/8 po (10 mm)	6
1/2 po (13 mm) 5/8 po (16 mm) 3/4 po (19 mm)	10
7/8 po (22 mm)	14

- B. Ouvrir le robinet de service du récepteur jusqu'à ce qu'il soit fermé sur le siège arrière (deux robinets sur le I3000C).



UTILISER UNE CLÉ ALLEN POUR OUVRIR (TOURNER DANS LE SENS CONTRAIRE DES AIGUILLES D'UNE MONTRE) LES ROBINETS D'ARRÊT DES CONDUITES DE LIQUIDE ET D'ASPIRATION

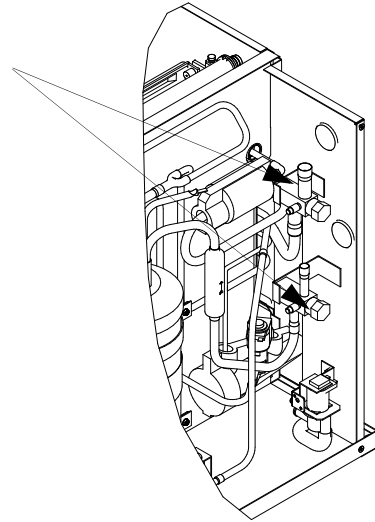
I0600C/I0850C/I1100C



UTILISER UNE CLÉ ALLEN POUR OUVRIR (TOURNER DANS LE SENS CONTRAIRE DES AIGUILLES D'UNE MONTRE) LES ROBINETS D'ARRÊT DES CONDUITES DE LIQUIDE ET D'ASPIRATION

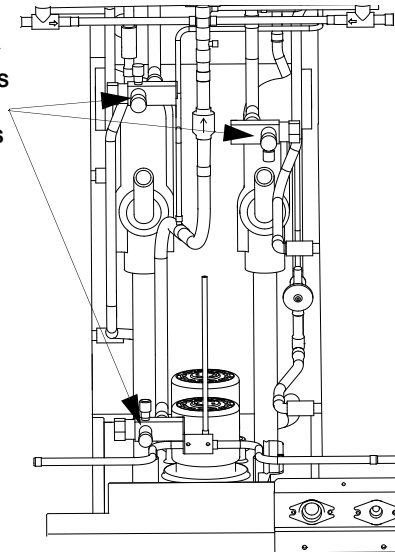
IB0600C/IB0800C/IB1000C

UTILISER UNE CLÉ ALLEN POUR OUVRIR (TOURNER DANS LE SENS CONTRAIRE DES AIGUILLES D'UNE MONTRE) LES ROBINETS D'ARRÊTS DES CONDUITES DE LIQUIDE ET D'ASPIRATION



I1470C/I1870C/I2170C

UTILISER UNE CLÉ ALLEN POUR OUVRIR (TOURNER DANS LE SENS CONTRAIRE DES AIGUILLES D'UNE MONTRE) LES ROBINETS D'ARRÊTS DES CONDUITES DE LIQUIDE ET D'ASPIRATION



I3000C

⚠ Attention

Après l'ouverture des robinets de service d'aspiration, de refoulement et du récepteur, la pression du liquide frigorigène ne sera pas détectée tant que la machine à glaçons ne commence pas un cycle de congélation et que l'électrovanne n'est pas activée.

Étape 7 Raccorder le câblage à l'unité de condensation et à la partie principale de la machine à glaçons

Attacher le câblage au bornier dans le boîtier de commande de l'unité de condensation et le tableau de commande de la partie principale. Harmoniser les étiquettes de fils aux raccordements.

Étape 8 Vérification de fuites dans le système de réfrigération

- A. Mettre la partie principale de la machine à glaçons sous tension – Ne pas mettre l'unité de condensation ICVD sous tension.
- B. Appuyer sur l'interrupteur d'alimentation et activer la machine à glaçons pendant 60 secondes pour équilibrer les pressions.
- C. Remettre la partie principale de la machine à glaçons sous tension.
- D. Vérifier l'absence de fuites au niveau des raccordements de conduites, du siphon S et de tous les joints usine dans la partie principale et l'unité de condensation.
- E. Mettre l'unité de condensation ICVD sous tension et laisser le système s'évacuer.

Étape 9 Exigences d'isolation

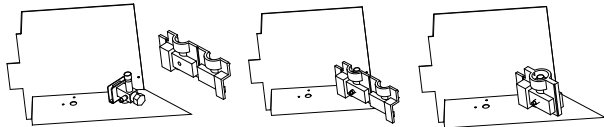
- Pour éviter la condensation, l'ensemble de la conduite d'aspiration, y compris le robinet d'arrêt, doit être isolé.
- Toute l'isolation doit être étanche à l'air et scellée aux deux extrémités.

Les exigences d'isolation suivantes permettent d'éviter la condensation à une température ambiante de 32 °C (90 °F) avec 90 % d'humidité relative. En cas d'humidité plus importante, augmenter l'épaisseur de l'isolation.

Conduite d'aspiration	Conduite de liquide	Épaisseur minimale de l'isolation
19,1 mm (3/4 po)	12,7 mm (1/2 po)	Conduite d'aspiration 13 mm (1/2 po)
15,9 mm (5/8 po)	9,5 mm (3/8 po)	Conduite de liquide 7 mm (1/4 po)
19,1 mm (3/4 po)	15,9 mm (5/8 po)	Conduite d'aspiration 19 mm (3/4 po) Conduite de liquide 7 mm (1/4 po)

Isolation du robinet d'arrêt de la conduite d'aspiration

L'isolation préformée du robinet d'arrêt de la conduite d'aspiration se trouve dans le sac en plastique accroché au rideau d'eau.



Avant la mise en marche de la machine à glaçons

Toutes les machines à glaçons Manitowoc sont mises en route et ajustées en usine avant l'expédition. Normalement, les nouvelles installations ne requièrent aucun ajustement.

Pour garantir un bon fonctionnement, suivre les Contrôles opérationnels figurant à la Section 3 du présent manuel. La mise en marche de la machine à glaçons et exécuter les contrôles opérationnels sont la responsabilité du propriétaire/de l'opérateur.

Les réglages et les procédures de maintenance indiqués dans ce manuel ne sont pas couverts par la garantie.

Régler la date et l'heure selon votre zone et consulter la section Fonctionnement afin de vous assurer que les réglages du tableau de commande soient exacts pour l'emplacement et l'application de vos clients.

⚠ Avertissement
Situation comportant un risque de blessure corporelle

Ne pas utiliser un équipement qui aura été mal utilisé, abusé, négligé, endommagé ou dont les spécifications originales de fabrication auront été altérées/modifiées.

Important

Les compresseurs de réfrigération doivent fonctionner pendant une période de rodage de 24 heures avant qu'une production complète de glace ne soit atteinte.

Régler la date et l'heure

Lorsque la machine à glaçons est installée, la date et l'heure exactes doivent être réglées pour son emplacement.

1. S'assurer que la machine à glaçons soit bien branchée.
2. Appuyer sur le bouton Menu.
3. Appuyer sur le bouton Bas jusqu'à ce que Config. soit en évidence [entre parenthèses].
4. Appuyer sur la Coche. Le menu Config. sera affiché et Hr. et date sera en évidence [entre parenthèses].
5. Appuyer sur la Coche. La date apparaîtra sur la première ligne de l'écran (M/J/A) et l'heure apparaîtra sur la deuxième ligne (24 hrs). Le mois sera souligné.

07	24	10							
14	:	08							
S	o	r	t	i	e				>

6. En utilisant les boutons Haut ou Bas, ajuster le mois, si nécessaire.
7. Lorsque le bon mois apparaît, utiliser le bouton Droite pour déplacer le soulignement au jour.
8. En utilisant les boutons Haut ou Bas, ajuster le jour, si nécessaire.
9. Lorsque le bon jour apparaît, utiliser le bouton Droite pour déplacer le soulignement à année.
10. En utilisant les boutons Haut ou Bas, ajuster l'année, si nécessaire.
11. Lorsque la bonne année apparaît, appuyer sur la Coche. Le souligné descendra à heure.
12. En utilisant les boutons Haut ou Bas, ajuster l'heure, si nécessaire.
13. Lorsque la bonne heure apparaît, utiliser le bouton Droite pour déplacer le soulignement à minutes.
14. En utilisant les boutons Haut ou Bas, ajuster les minutes, si nécessaire.
15. Lorsque la bonne minute apparaît, appuyer deux fois sur la Coche.

Défauts usine

Tous les autres paramètres ont été réglés par défaut à l'usine.

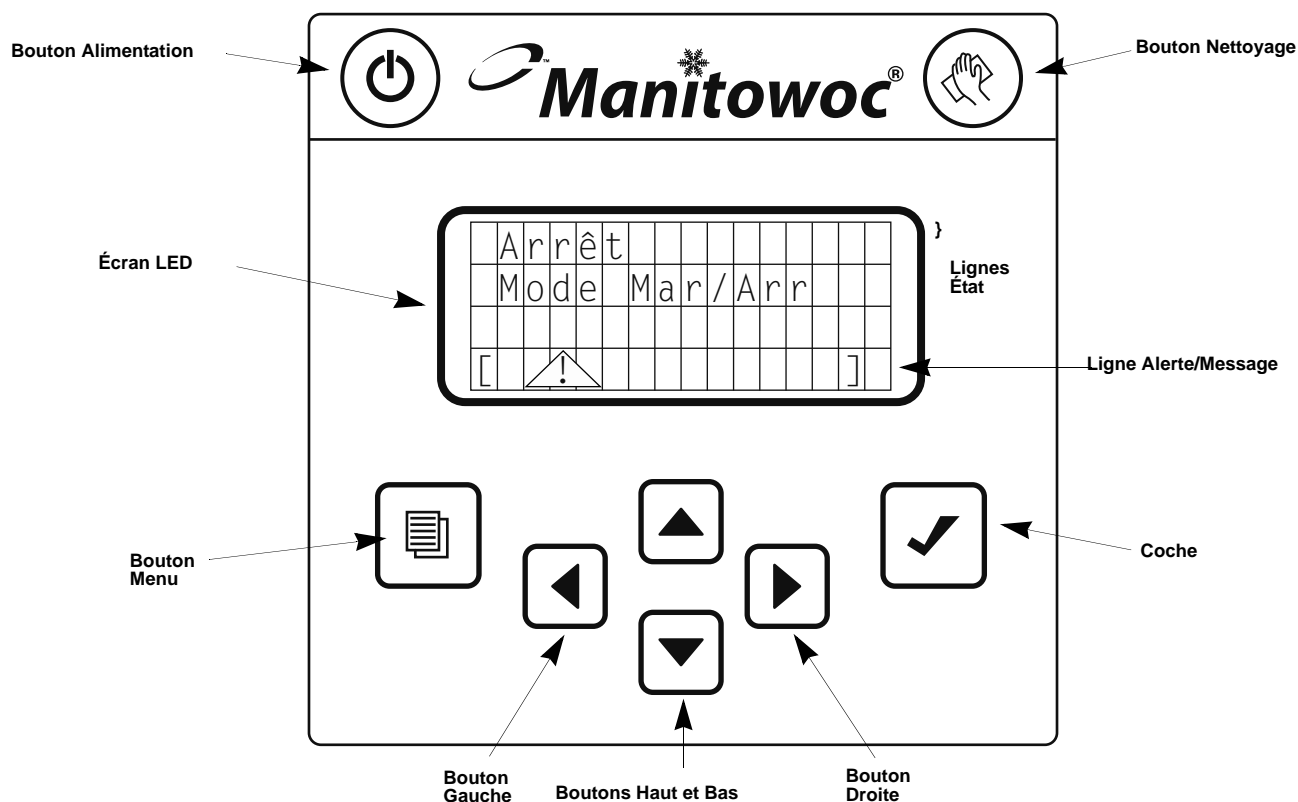
Réglage	Par défaut
Langue	Anglais
Configuration de l'heure	M/J/A / 24 hrs
Unités	Fahrenheit/Lb/Gallons
Clarté de la glace	Arrêt
Brillance LED	Niveau 2
LED Marche/Arrêt	Marche
Rappel nettoyage	Arrêt
Durée SyNA	Arrêt
Filtre air	Arrêt
Filtre eau	Arrêt
LuminIce™	Arrêt

Pour plus de détails et d'instructions au sujet du changement des réglages de la machine à glaçons, voir « Menu Config. » dans la section *Fonctionnement*.

THIS PAGE INTENTIONALLY LEFT BLANK

Section 3

Fonctionnement



Caractéristiques Panneau de commande

Le panneau de commande Yeti offre une série de boutons sensibles à la pression et un panneau d'affichage interactif à quatre lignes.

BOUTONS

Bouton Alimentation : Alimente la machine à glaçons lorsqu'en Mode Mar/Arr. La machine à glaçons peut aussi être programmée pour s'allumer et s'éteindre en deux modes d'Économie d'énergie.

Bouton Nettoyage : Initie un cycle de nettoyage. Consulter la section *Entretien* pour des détails.

Bouton Menu : Vous permet de passer de l'écran Accueil, où vous pouvez voir l'état de la machine à glaçons, les alertes et les messages, au Menu principal, où vous pouvez accéder à l'information au sujet de la machine et à son journal des événements, ajuster les réglages de la machine et de l'Économie d'énergie et vous occuper des problèmes de service.

Boutons Gauche et Droite : Le bouton Gauche revient à l'écran précédent, permettant à l'utilisateur de sortir de la programmation. Les deux boutons, Gauche et Droite, déplaceront le curseur (souligné) à l'intérieur d'une ligne de réglages. REMARQUE : Le bouton Droite peut aussi être utilisé sur plusieurs écrans de façon interchangeable avec la Coche pour faire une sélection.

Boutons Haut et Bas : Déplacer ce qui est en évidence [entre parenthèses] d'une ligne vers le haut ou vers le bas.

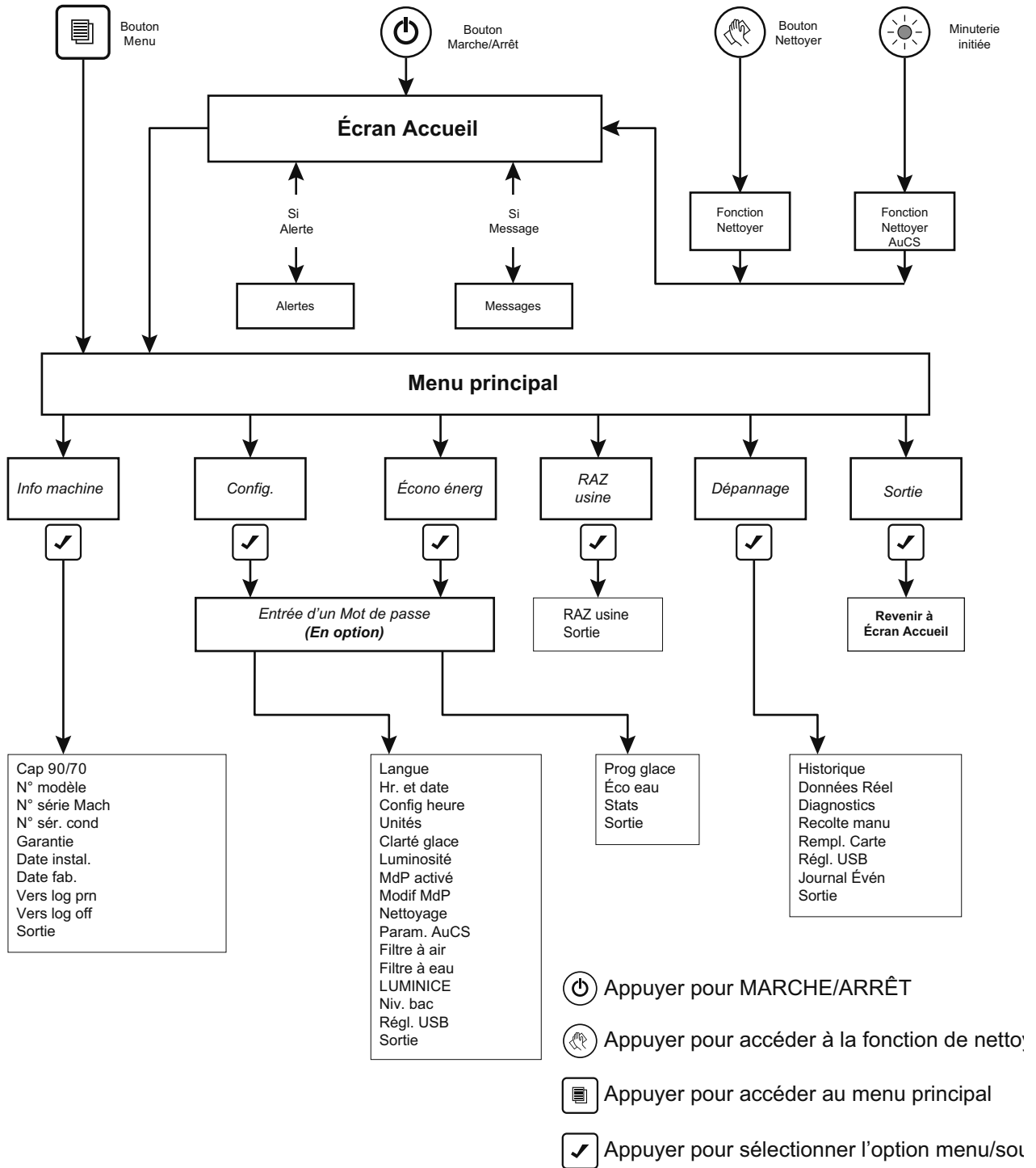
Coche : Sélectionne et/ou se déplace vers l'écran suivant (ou ligne).

PANNEAU D'AFFICHAGE

Le panneau d'affichage LED quatre lignes de 16 caractères. Durant le fonctionnement de la machine à glaçons et les cycles de nettoyage, les trois premières lignes de l'écran Accueil offrent des informations utiles sur l'état et la quatrième ligne affiche les alertes et les messages. En programmation, les quatre lignes de l'écran courant sont affichées et ce qui est en évidence, ainsi que les flèches, le curseur et les sélections informent l'utilisateur des actions possibles.

Vue d'ensemble de Navigation Menu

Modèles Indigo™ - Vue d'ensemble Navigation



Navigation Panneau d'affichage

[H	r	.	[e	t	[d	a	t	e]	>]	▼
---	---	---	---	---	---	---	---	---	---	---	---	---	---	---	---

En évidence : Les parenthèses indiquent si une ligne à l'écran est « en évidence » ou si elle entraîne une action. Déplacer les parenthèses d'une ligne à l'autre en utilisant le bouton Haut ou Bas. Déplacer les parenthèses vers le bas à partir de la quatrième ligne pour afficher davantage le menu.

Flèches : Deux sortes de flèches donnent des indices au sujet des informations supplémentaires. Les symboles « > » démontrent qu'un autre écran est disponible en appuyant sur la Coche lorsqu'une ligne est mise en évidence. « ▼ » and « ▲ » symbols indicate the limits of the screen viewed. **REMARQUE** : Une autre indication au sujet de la longueur de l'écran d'un menu est que Sortie est le dernier item.

07	24	10													
14	:	08													
S	o	r	t	i	e								>		

Curseur : Un curseur (souligné) est utilisé dans les lignes où les réglages actuels peuvent être ajustés. Dans ces écrans, utiliser les boutons Haut et Bas pour effectuer les changements aux valeurs soulignées. Déplacer le curseur d'un chiffre à l'autre en utilisant les boutons Droite et Gauche. Utiliser la Coche pour déplacer le curseur d'une ligne vers le bas. Sortir de l'écran et entrer de nouveau dans l'écran pour revenir au début.

[M	/	J	/	A					(✓)]	▼
	J	/	M	/	A					()		
	1	2			h	r	s			()		
	2	4			h	r	s			(✓)		▼

Sélections : Lorsque les parenthèses () apparaissent, elles indiquent qu'une sélection est disponible en appuyant sur la Coche lorsque la ligne est mise en évidence. Si le choix est exclusif, le sélectionner avec la Coche décochera une autre sélection. Ce qui signifie, dans l'exemple Config heure ci-dessus, que sélectionner J/M/A désélectionnera M/J/A.







Alertes et Messages

Lorsqu'il y a des alertes et des messages, ils seront mis en évidence et pourront être sélectionnés avec la Coche. Les alertes affichées auront priorité sur les messages.

	A	r	ê	t											
	M	o	d	e		M	a	r	/	A	r	r			
[!]			

Par exemple, si les alertes apparaissent dans la quatrième ligne sur l'écran :

1. Appuyer sur la Coche. Une liste d'alertes apparaîtra à l'écran.
2. Choisir l'alerte que vous voulez adresser en déplaçant les parenthèses en évidence avec le bouton Bas.
3. Appuyer de nouveau sur la Coche. Un écran apparaîtra avec une ligne qui peut être sélectionnée pour effacer l'alerte, une ligne pour accéder à une liste de causes possibles et une ligne pour accéder à l'information de service.
4. Revenir à l'écran Accueil en appuyant sur le bouton Gauche jusqu'à ce qu'il apparaisse.

	Info machine
	
	Config.
	
	Écono éner
	
	Défaut usine
	
	Dépannage
	
	Sortie

Menu principal

Menu principal

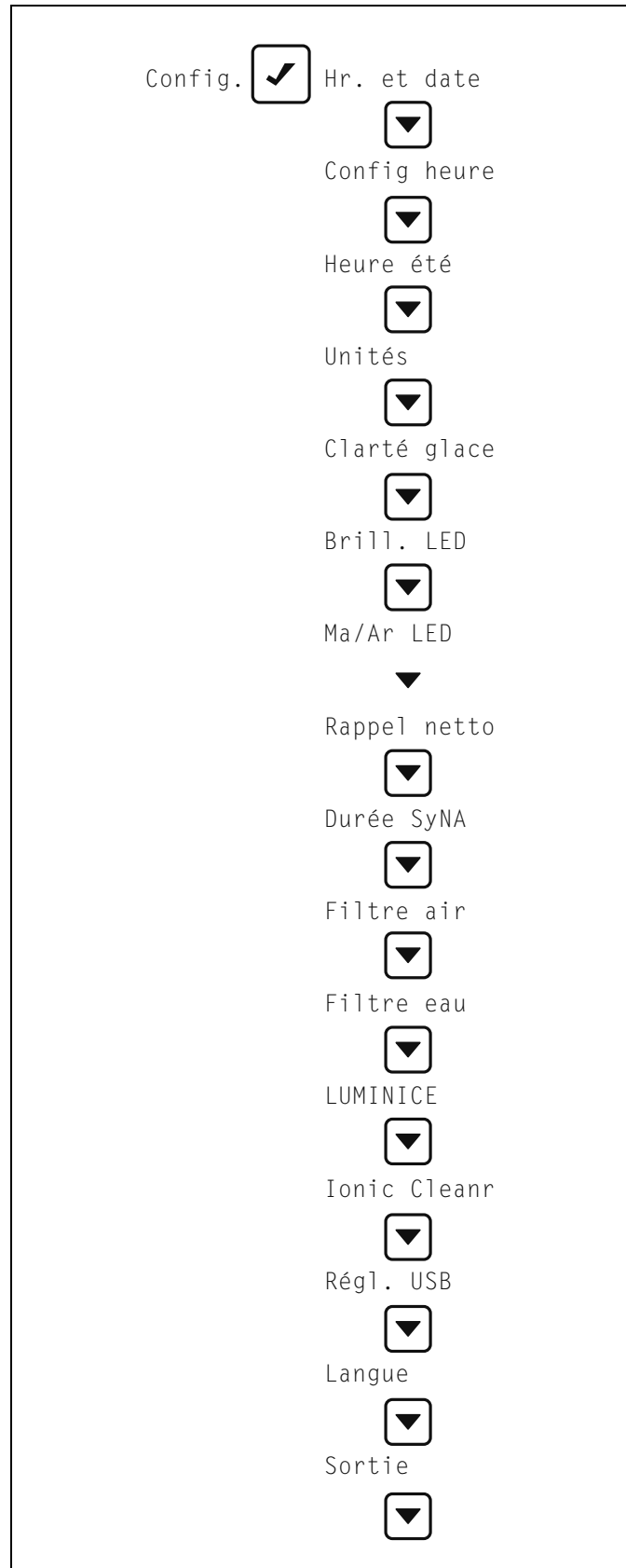
À partir de l'écran Accueil, appuyer sur le bouton Menu pour accéder au Menu principal, où vous pouvez choisir de voir l'information au sujet de la machine, faire des changements à la configuration, régler le mode Économie d'énergie ou entrer dans le Menu Service.

Menu Info machine

À partir du Menu principal, s'assurer que Info machine soit en évidence et appuyer sur la Coche pour voir une liste incluant la capacité, le numéro de modèle, le numéro de série IMH, le numéro de série du condenseur, la date d'installation, la date de fabrication et la version du logiciel. Utiliser le bouton Bas pour mettre un item en évidence et utiliser la Coche pour voir l'information. Appuyer sur le bouton Gauche pour revenir aux écrans précédents.

Menu Config

À partir du Menu principal, utiliser le bouton Bas pour naviguer jusqu'à Config et appuyer sur la Coche. Sélectionner et personnaliser les réglages de la machine dans ce menu. Appuyer sur le bouton Gauche pour revenir aux écrans précédents.



Menu Config

HEURE ET DATE

Consulter les instructions étape par étape de la section Installation pour régler l'heure et la date.

[M	/	J	/	A				(✓)]	▼
	J	/	M	/	A				()		
	1	2		h	r	s			()		
	2	4		h	r	s			(✓)		▼

LANGUE

1. À partir du menu Config, utiliser le bouton Bas pour mettre en évidence Langue.
2. Appuyer sur la Coche. Vous pouvez choisir de voir l'écran dans une langue autre que l'Anglais, en mettant en évidence votre choix et en appuyant sur la Coche. Sélectionner une langue désélectionnera les autres.

Lorsque la Coche représente votre préférence, utiliser le bouton Bas pour naviguer jusqu'à Sortie et appuyer sur la Coche. L'écran reviendra au menu Config.

CONFIGURATION DE L'HEURE

1. À partir du menu Config, utiliser le bouton Bas pour mettre en évidence Config heure.
2. Appuyer sur la Coche. Sur cet écran, vous pouvez choisir si la date sera affichée dans le format M/J/A ou J/M/A en mettant votre choix en évidence et en appuyant sur la Coche. Sélectionner un choix désélectionnera l'autre.
3. Vous pouvez aussi choisir si l'heure sera affichée dans un format de 12 hrs ou 24 hrs en mettant votre choix en évidence et en appuyant sur la Coche. Sélectionner un choix désélectionnera l'autre.
4. Lorsque les deux choix représentent votre préférence, utiliser le bouton Bas pour naviguer jusqu'à Sortie et appuyer sur la Coche. L'écran reviendra au menu Config.

UNITÉS

1. À partir du menu Config, utiliser le bouton Bas pour mettre en évidence Unités.
2. Appuyer sur la Coche. Sur cet écran, vous pouvez décider que la machine à glaçons affichera ses mesures en Celsius ou Fahrenheit, en kilogrammes ou livres, et en gallons ou litres en mettant votre choix en évidence pour chaque paire et en appuyant sur la Coche. Sélectionner un choix dans chaque paire désélectionnera l'autre. S'assurer de naviguer avec le bouton Bas pour faire les trois choix.
3. Lorsque les trois coches représentent vos préférences, utiliser le bouton Bas pour naviguer jusqu'à Sortie et appuyer sur la Coche. L'écran reviendra au menu Config.

CLARTÉ DE LA GLACE

Là où la qualité de l'eau potable est mauvaise, la machine à glaçons produira des glaçons blanchâtres. Régler la Clarté de la glace à ACT ajoutera de l'eau lors du cycle de congélation afin de diluer l'eau qui contient un contenu élevé de matières dissoutes dans le bac à eau. Cette caractéristique diminue la production et augmente la consommation d'eau. Un filtre à eau est recommandé pour produire une glace de meilleure qualité tout en maintenant le mode d'opération le moins élaboré.

1. À partir du menu Config, utiliser le bouton Bas pour mettre en évidence Clarté glace.
2. Appuyer sur la Coche. Sur cet écran, vous pouvez choisir de mettre la caractéristique clarté de la glace à ACT or DÉSA en mettant votre choix en évidence et en appuyant sur la Coche. Sélectionner un choix désélectionnera l'autre.
3. Lorsque la Coche représente votre préférence, utiliser le bouton Bas pour naviguer jusqu'à Sortie et appuyer sur la Coche. L'écran reviendra au menu Config.

BRILLANCE LED

Ici, la brillance de l'écran LED peut être ajustée.

1. À partir du menu Config, utiliser le bouton Bas pour mettre en évidence Brill. LED.
2. Appuyer sur la Coche. Vous verrez un des quatre graphiques à barres indiquant les niveaux de brillance de l'écran. Le niveau 1 est représenté par une barre, le niveau 2 est représenté par deux barres, etc.
3. Utiliser les boutons Haut et Bas pour sélectionner votre préférence.
4. Lorsque le graphique à barres reflète votre préférence, appuyer sur la Coche. L'écran reviendra au menu Config.

DÉFAUTS USINE

La configuration au complet peut être remise aux défauts d'usine listés dans la section *Installation*.

1. À partir du menu Config, utiliser le bouton Bas pour mettre en évidence Défaut usine.
2. Appuyer sur la Coche deux fois pour réinitialiser la machine à glaçons. L'écran reviendra au menu Config.

RAPPEL NETTOYAGE

Rappel nettoyage est une caractéristique qui affiche un rappel de nettoyage à un intervalle de temps pré réglé.

1. À partir du menu Config, utiliser le bouton Bas pour mettre en évidence Rappel netto.
2. Appuyer sur la Coche. Sur cet écran, vous pouvez aussi choisir de mettre le rappel à ACT ou DÉSA en mettant votre choix en évidence et en appuyant sur la Coche. Sélectionner un choix désélectionnera l'autre.
3. Vous pouvez aussi choisir l'intervalle de temps à partir de cet écran en mettant en évidence Config intev et en appuyant sur la Coche.
4. Appuyer sur le bouton Gauche pour revenir aux écrans précédents et au menu Config.

DURÉE SYNA

Le Système de Nettoyage Automatique est un accessoire en option et effectuera un cycle de nettoyage à un intervalle de temps pré réglé.

1. À partir du menu Config, utiliser le bouton Bas pour mettre en évidence Durée SyNA.
2. Appuyer sur la Coche. Sur cet écran, vous pouvez choisir de mettre la caractéristique à ACT ou DÉSA en mettant votre choix en évidence et en appuyant sur la Coche. Sélectionner un choix désélectionnera l'autre.
3. Vous pouvez aussi choisir l'intervalle de temps à partir de cet écran en mettant en évidence Config intev et en appuyant sur la Coche.
4. Appuyer sur le bouton Gauche pour revenir aux écrans précédents et au menu Config.

FILTRE AIR

La machine à glaçons a une caractéristique qui affiche un rappel de nettoyage du filtre à air à un intervalle de temps pré réglé.

1. À partir du menu Config, utiliser le bouton Bas pour mettre en évidence Filtre air.
2. Appuyer sur la Coche. Sur cet écran, vous pouvez aussi choisir de mettre le rappel à AUTO ou DÉSA en mettant votre choix en évidence et en appuyant sur la Coche. Sélectionner un choix désélectionnera l'autre.
3. Vous pouvez aussi choisir l'intervalle de temps à partir de cet écran en mettant en évidence Config intev et en appuyant sur la Coche.
4. Appuyer sur le bouton Gauche pour revenir aux écrans précédents et au menu Config.

FILTRE EAU

La machine à glaçons a une caractéristique qui affiche un rappel pour remplacer le filtre à eau à un intervalle de temps préréglé.

1. À partir du menu Config, utiliser le bouton Bas pour mettre en évidence Filtre eau.
2. Appuyer sur la Coche. Vous pouvez enregistrer le type de filtre sur cet écran en mettant en évidence Type filtre et en appuyant sur la Coche.
3. Après avoir fait votre sélection, appuyer sur le bouton Gauche pour revenir aux écrans précédents.
4. Sur cet écran, vous pouvez aussi choisir de mettre le rappel à AUTO ou DÉSA en mettant votre choix en évidence et en appuyant sur la Coche. Sélectionner un choix désélectionnera l'autre.
5. Vous pouvez aussi choisir l'intervalle de temps à partir de cet écran en mettant en évidence Config intev et en appuyant sur la Coche.
6. Appuyer sur le bouton Gauche pour revenir aux écrans précédents et au menu Config.

LUMINICE™

LuminIce™ est un accessoire en option qui empêchera la croissance d'algues, de film biologique et de bactéries la zone alimentaire. Le LuminIce™ est une caractéristique qui affiche un rappel de changer son ampoule chaque 12 mois.

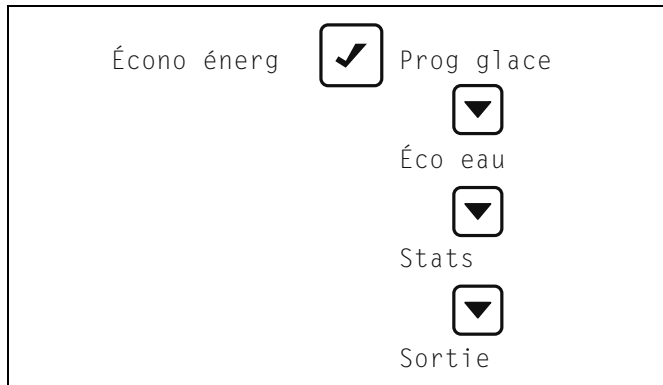
1. À partir du menu Config, utiliser le bouton Bas pour mettre en évidence LuminIce™.
2. Appuyer sur la Coche. Sur cet écran, vous pouvez aussi choisir de mettre le rappel à AUTO ou DÉSA en mettant votre choix en évidence et en appuyant sur la Coche. Sélectionner un choix désélectionnera l'autre.
3. Lorsque la Coche représente votre préférence, utiliser le bouton Bas pour naviguer jusqu'à Sortie et appuyer sur la Coche. L'écran reviendra au menu Config.

RÉGLAGE USB

Contactez Manitowoc Foodservice pour plus d'information sur ce réglage au sujet d'une mise à niveau du micrologiciel avec une clé USB et d'une exportation des données sur une clé USB.

Menu Écono énerg

À partir du Menu principal, utiliser le bouton Bas pour naviguer jusqu'à Écono énerg et appuyer sur la Coche. Configurer un programme d'économie d'énergie, activer le Éco eau et consulter les statistiques d'utilisation à partir de ce menu Appuyer sur le bouton Gauche pour revenir aux écrans précédents.



Menu Écono énerg

ÉCO EAU

Éco eau est une caractéristique qui réduit la consommation d'eau en éliminant les cycles de rinçage. L'activation de cette caractéristique est recommandée uniquement pour les systèmes qui ont un filtre à eau déionisé ou à osmose inverse.

1. À partir du menu Écono énerg, utiliser le bouton Bas pour mettre en évidence Éco eau.
2. Appuyer sur la Coche. Sur cet écran, vous pouvez choisir de mettre la caractéristique à Éco eau à ACT ou DÉSA en mettant votre choix en évidence et en appuyant sur la Coche. Sélectionner un choix désélectionnera l'autre.
3. Appuyer sur le bouton Gauche pour revenir aux écrans précédents et au menu Écono énerg.

PROGRAMMATION GLACE

Pour économiser l'énergie et l'eau, la machine à glaçons peut être programmée pour ne fonctionner que lorsque les glaçons seront utilisés ou lorsque le niveau du bac diminue avec l'utilisation.

Important

Le réglage d'un programme glace annulera le Mode Mar/arr et le bouton d'Alimentation sera désactivé.

1. Dans le menu Écono énerg, s'assurer que Prog glace est en évidence.
2. Appuyer sur la Coche. Sur cet écran, vous pouvez choisir d'activer le programme selon l'heure ou selon le niveau du bac ou en mettant votre choix en évidence et en appuyant sur la Coche. Sélectionner un choix désélectionnera l'autre. Si un des choix est sélectionné et que vous ne voulez aucune sélection, mettez en évidence le choix et appuyez de nouveau sur la Coche.
3. Si aucun des programmes est sélectionné, en mettant en évidence Suivant et en appuyant sur la Coche vous reviendrez en haut de cet écran. Si aucun des programmes est sélectionné, mettre en évidence Suivant et appuyer sur la Coche pour choisir les heures et les niveaux du bac. REMARQUE : Pour des détails sur l'utilisation du curseur pour le programme heure, consulter Navigation Panneau d'affichage dans cette section.
4. Sélectionner Sortie pour revenir aux écrans précédents et une autre fois pour revenir au menu Écono énerg.

STATISTIQUES

1. À partir du menu Écono énerg, utiliser le bouton Bas pour mettre en évidence Stats.
2. Appuyer sur la Coche. Pour voir les statistiques de production de glaçons, de consommation d'eau potable ou de consommation d'énergie, mettre votre choix en évidence et appuyer sur la Coche.
3. Appuyer sur le bouton Gauche pour revenir aux écrans précédents et au menu Écono énerg.

Menu Service

À partir du Menu principal, utiliser le bouton Bas pour naviguer jusqu'à Service et appuyer sur la Coche. Ce menu sera utilisé par du personnel de service formé.

HISTORIQUE

Appuyer sur la Coche avec Historique en évidence pour voir une liste de dates à huit chiffres (Actuel, Actuel + 1 ... Actuel + 5), de même que Info gén (s'assurer d'utiliser le bouton Bas pour voir toute l'information disponible).

Pour chacune des dates, utiliser la Coche pour voir :

- Tps cong min
- Tps cong max
- Recueil min
- Recueil max
- Dif max T3T4
- Durée
- Compt cyc
- Eau potab
- Cyc nett

Pour Info gén, utiliser la Coche pour voir :

- Date instal. (Instal.)
- Remplacements Tableau de commande (Rempl tab com)
- DDF Tableau de commande de com (DDF tab com)
- Durée exé
- Prod glaçons
- Compt cyc
- Eau potab
- Cycles netto (Cyc nett)

DON TEMP RÉE

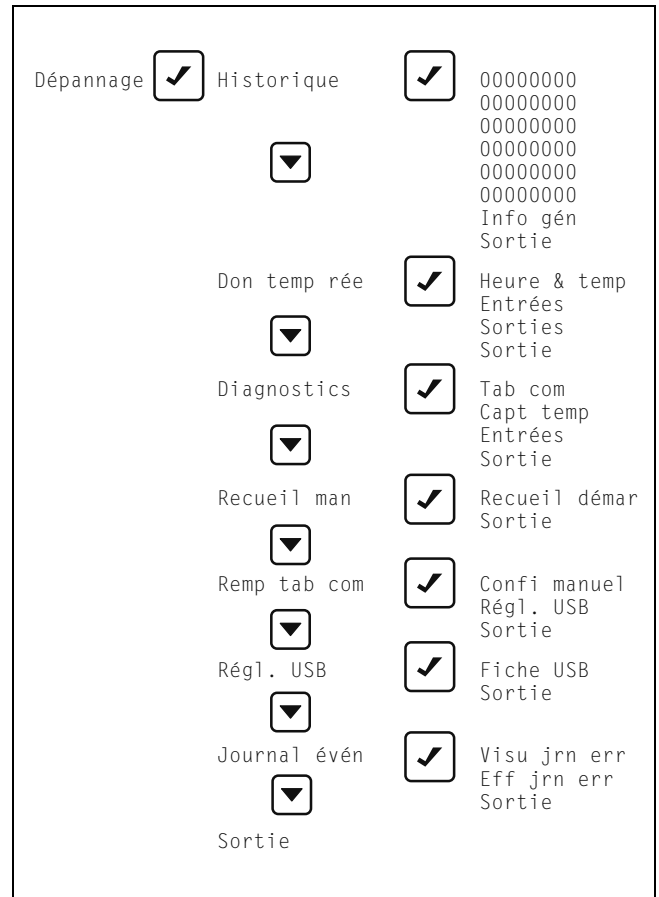
Appuyer sur la Coche avec Don temp rée en évidence pour obtenir les lectures sur Heure & temp, Entrées et Sorties.

DIAGNOSTICS

Appuyer sur la Coche avec Diagnostics en évidence pour accéder aux écrans où vous pourrez exécuter des diagnostics au niveau du tableau de commande, des détecteurs et des interrupteurs.

RECUEIL MANUEL

Appuyer sur la Coche avec Recueil man en évidence pour accéder à un écran où vous pourrez initier un recueil manuel.



Menu Service

Séquence de fabrication des glaçons

REMARQUE : Le bouton d'alimentation doit être appuyé et le rideau d'eau/les amortisseurs de glaçons doivent être en place sur l'évaporateur avant que la machine à glaçons ne puisse démarrer.

Cycle de purge d'eau

La machine à glaçons évacue toute eau restante du bac à eau par le siphon.

Cycle de congélation

L'eau s'écoule sur l'évaporateur et le système de réfrigération refroidit l'évaporateur. La glace s'accumule sur l'évaporateur et le cycle de congélation se poursuit jusqu'à ce que la sonde de l'épaisseur de la glace détecte qu'une couche de glace se soit formée. La sonde de l'épaisseur de la glace envoie un signal à la sonde pour commencer le recueil.

Cycle de recueil

Toute l'eau restante s'évacue dans le siphon tandis que le gaz réfrigérant chauffe l'évaporateur. Lorsque l'évaporateur chauffe, la feuille de glaçons glisse de l'évaporateur vers le bac de stockage. Si tous les glaçons tombent pour vider le rideau d'eau (ou amortisseur de glaçons), la machine à glaçons démarre un autre cycle de congélation.

Cycle d'arrêt

Si le rideau d'eau ou l'amortisseur de glaçons est ouvert par la présence de glaçons, la machine à glaçons s'arrête. Lorsque le rideau d'eau ou l'amortisseur de glaçons se ferme, la machine à glaçons démarre un nouveau cycle à la purge d'eau.

Temporisateurs de tableau de commande

Le tableau de commande comporte les temporisateurs non réglables suivants :

- La machine à glaçons est verrouillée dans le cycle de congélation pendant 6 minutes avant de pouvoir lancer le cycle de récupération.
- Le temps de congélation maximum est de 60 minutes après quoi le tableau de commande lance automatiquement une séquence de récupération des glaçons.
- Le temps de recueil maximal est de 3,5 minutes. Le tableau de commande lance automatiquement une séquence de congélation lorsque ces temps sont dépassés.

LIMITES DE SÉCURITÉ

Les limites de sécurité sont mises en mémoire et indiquées par le tableau de commande au bout de trois cycles. Le nombre de cycles requis pour arrêter la machine à glaçons varie pour chaque limite de sécurité.

- Limite de sécurité 1 - Si le temps de congélation atteint 60 minutes, le tableau de commande lance automatiquement un cycle de récupération des glaçons. La machine à glaçons s'arrête après 6 cycles consécutifs de congélation de 60 minutes.
- Limite de sécurité 2 - Si le temps de récupération des glaçons atteint 3,5 minutes, le tableau de commande lance automatiquement le cycle de congélation de la machine à glaçons. La machine à glaçons s'arrête après 500 cycles consécutifs de congélation de 3,5 minutes.

Une limite de sécurité est indiquée par une lumière clignotante étiquetée SL1 ou SL2 au niveau du tableau de commande. Consulter la section 5 si vous recevez une indication de limite de sécurité.

Vérifications opérationnelles

GÉNÉRALITÉS

Les machines à glaçons Manitowoc sont mises en route et ajustées en usine avant l'expédition. Normalement, les nouvelles installations ne requièrent aucun ajustement.

Pour garantir un bon fonctionnement, toujours suivre les Contrôles opérationnels :

- lorsque de la mise en marche de la machine à glaçons pour la première fois
- après une période prolongée hors service
- après le nettoyage et la désinfection

REMARQUE : Les réglages périodiques et procédures d'entretien ne sont pas couverts par la garantie.

Important

Les scroll compresseurs de réfrigération doivent fonctionner pendant une période de rodage de 24 heures avant qu'une production complète de glace ne soit atteinte.

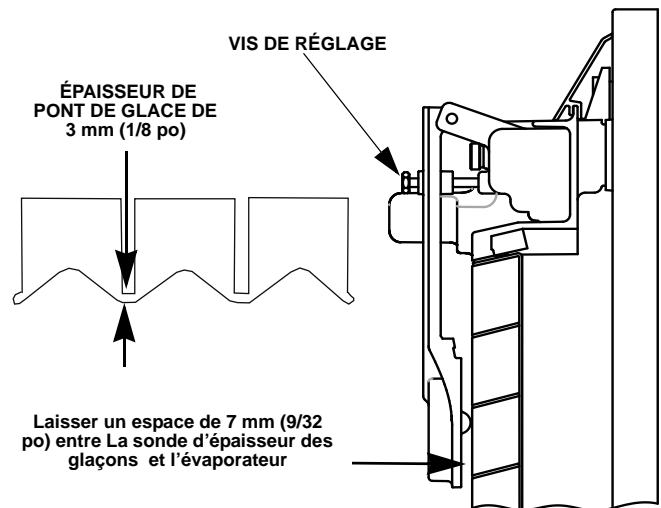
CONTRÔLE DE L'ÉPAISSEUR DES GLAÇONS

Après un cycle de récupération des glaçons, inspecter les glaçons dans le bac de stockage de glaçons. La sonde d'épaisseur des glaçons est réglée en usine pour maintenir l'épaisseur du pont de glace à 3 mm (1/8 po).

REMARQUE : S'assurer que le rideau d'eau est en place lorsque ce contrôle est effectué. Il empêche les projections d'eau hors du bac à eau.

1. Inspecter le pont connectant les glaçons. Son épaisseur doit être d'environ 3 mm (1/8 po).
2. Si un réglage est nécessaire, tourner la vis de réglage de la sonde d'épaisseur des glaçons dans le sens des aiguilles d'une montre pour augmenter l'épaisseur du pont et dans le sens contraire des aiguilles d'une montre pour diminuer l'épaisseur du pont. Laisser un espace de 7 mm (9/32 po) entre La sonde d'épaisseur des glaçons et l'évaporateur comme point de départ, puis effectuer le réglage pour obtenir une épaisseur de pont de 3 mm (1/8 po).

REMARQUE : Si la vis de réglage est tournée de 1/3, l'épaisseur des glaçons changera d'environ 1,5 mm (1/16 po).



Contrôle de l'épaisseur des glaçons

3. Veiller à ce que le fil de la sonde d'épaisseur des glaçons n'entrave pas le mouvement de la sonde.

CETTE PAGE EST INTENTIONNELLEMENT LAISSÉE EN BLANC

Section 4

Entretien

Nettoyage et désinfection

Le propriétaire est responsable de l'entretien de la machine à glaçons conformément aux instructions figurant dans le présent manuel. Les procédures d'entretien ne sont pas couvertes par la garantie.

Nettoyer et désinfecter la machine à glaçons tous les six mois pour un fonctionnement efficace. Si la machine à glaçons requiert un nettoyage et une désinfection plus fréquents, contacter une entreprise de maintenance qualifiée pour tester la qualité de l'eau et recommander un traitement approprié de l'eau. Une machine à glaçons extrêmement sale doit être démontée pour le nettoyage et la désinfection.

Le nettoyant et le désinfectant pour machine à glaçons Manitowoc sont les seuls produits approuvés pour les machine à glaçons Manitowoc.

Attention

Utiliser uniquement les nettoyant et désinfectant pour machine à glaçons approuvés par Manitowoc pour cette application (Nettoyant Manitowoc réf. 94-0546-3 et Désinfectant Manitowoc réf. 94-0565-3). Utiliser ces solutions sans tenir compte des instructions figurant sur les étiquettes est une violation de la loi fédérale. Lire et comprendre toutes les étiquettes imprimées sur les flacons avant utilisation.

Attention

Ne pas mélanger les solutions nettoyantes et désinfectantes. Utiliser ces solutions sans tenir compte des instructions figurant sur les étiquettes est une violation de la loi fédérale.

Avertissement

Porter des gants en caoutchouc et des lunettes de sécurité (et/ou un masque) lors de la manipulation du nettoyant ou du désinfectant pour machine à glaçons.

PROCÉDURE DE NETTOYAGE ET DE DÉSINFECTION

Cette procédure doit être suivie au moins une fois tous les six mois.

- La machine à glaçons et le bac doivent être démontés, nettoyés et désinfectés.
- Tous les glaçons produits pendant les procédures de nettoyage et de désinfection doivent être jetés.
- Élimine les dépôts minéraux des zones ou surfaces en contact direct avec l'eau.

PROCÉDURE DE NETTOYAGE POUR L'ENTRETIEN PRÉVENTIF

- Cette procédure nettoie tous les composants dans la trajectoire du débit d'eau, et est utilisée pour nettoyer la machine à glaçons entre la procédure semi annuelle de nettoyage et de désinfection.

NETTOYAGE EXTÉRIEUR

Nettoyer la zone entourant la machine à glaçons aussi souvent qu'il le faut pour maintenir sa propreté et un fonctionnement efficace.

Essuyer les surfaces avec un linge humide rincé à l'eau afin d'enlever la poussière et la saleté à l'extérieur de la machine à glaçons. Pour les résidus graisseux, utilisez un linge humide rincé dans une solution de savon à vaisselle doux et d'eau. Sécher à l'aide d'un chiffon propre et doux.

Les panneaux extérieurs ont un revêtement clair qui résiste aux taches et qui se nettoie facilement. Les produits qui contiennent des abrasifs endommageront le revêtement et égratigneront les panneaux.

- Ne jamais utiliser de tampons métalliques ou abrasifs pour le nettoyage.
- Ne jamais utiliser d'agents nettoyants à base de chlore, d'essence d'agrumes ou abrasifs sur les panneaux extérieurs et les garnitures de plastique.

Procédure de nettoyage et de désinfection

Attention

Utiliser uniquement les nettoyant et désinfectant pour machine à glaçons approuvés par Manitowoc pour cette application (Nettoyant Manitowoc réf. 94-0546-3 et Désinfectant Manitowoc réf. 94-0565-3). Utiliser ces solutions sans tenir compte des instructions figurant sur les étiquettes est une violation de la loi fédérale. Lire et comprendre toutes les étiquettes imprimées sur les flacons avant utilisation.

PROCÉDURE DE NETTOYAGE

Attention

Ne pas mélanger les solutions nettoyantes et désinfectantes. Utiliser ces solutions sans tenir compte des instructions figurant sur les étiquettes est une violation de la loi fédérale.

Avertissement

Porter des gants en caoutchouc et des lunettes de sécurité (et/ou un masque) lors de la manipulation du nettoyant ou du désinfectant pour machine à glaçons.

Utiliser le nettoyant pour machine à glaçons pour éliminer le tartre et les dépôts minéraux. Le désinfectant pour machine à glaçons désinfecte et élimine les algues et tout film biologique.

REMARQUE : Bien que ce ne soit pas nécessaire et selon votre installation, enlever le couvercle supérieur de la machine à glaçons peut faciliter l'accès.

Étape 1 Ouvrir la porte avant pour accéder à l'évaporateur. La glace ne doit pas se trouver sur l'évaporateur durant le cycle de nettoyage/désinfection. Suivre une des méthodes ci-dessous :

- Appuyer sur l'interrupteur à bascule une fois que les glaçons tombent de l'évaporateur à la fin d'un cycle de récupération des glaçons.
- Appuyer sur l'interrupteur et laisser la glace fondre.

Attention

Ne jamais utiliser quoi que ce soit pour forcer la glace à sortir de l'évaporateur. Ceci pourrait causer des dommages.

Étape 2 Retirer tous les glaçons du bac/distributeur.

Étape 3 Appuyer sur l'interrupteur Nettoyage. L'eau s'écoulera par le robinet d'évacuation d'eau et par l'évacuation d'eau. Attendre que le bac à eau se remplisse à nouveau et que l'écran indique qu'il faut ajouter la solution (environ 1 minute), puis ajouter la quantité appropriée de nettoyant pour machine à glaçons.

Modèle	Quantité de nettoyant
I0600C/I0850C/I0970C/ I1000C/I1176C	150 ml (5 onces)
IB0690C/IB0890C/IB1090C	150 ml (5 onces)
I1470C/I1870C/I2170C	270 ml (9 onces)

Étape 4 Attendre que le cycle de nettoyage soit terminé (approximativement *24 minutes). Puis couper l'alimentation vers la machine à glaçons (et le distributeur s'il y a lieu).

Avertissement

Couper l'alimentation de la machine à glaçons au niveau de la boîte de distribution électrique.

Étape 5 Retirer les pièces à nettoyer.

Se reporter aux procédures de retrait des pièces correspondant à votre machine à glaçons. Passer à l'étape 6 une fois les pièces retirées.

Machines à glaçons à évaporateur unique débutent le Page 84.

Machines à glaçons à évaporateur multiple débutent le Page 86.

Étape 6 Mélanger une solution nettoyante avec de l'eau chaude. Selon la quantité de dépôt minéral, une quantité plus importante de solution peut être requise. Utiliser le rapport dans le tableau ci-dessous pour mélanger suffisamment de solution pour nettoyer toutes les pièces.

Type de solution	Eau	Mélangée avec
Nettoyant	4 l (1 gal.)	500 ml (16 oz) de nettoyant

Étape 7 Utiliser la moitié du mélange nettoyant/eau pour nettoyer tous les composants. La solution nettoyante mousse lorsqu'elle est en contact avec du tartre ou des dépôts minéraux ; lorsque la formation de mousse s'arrête, utiliser une brosse en nylon à poils souples, une éponge ou un chiffon (PAS une brosse métallique) pour nettoyer soigneusement les pièces. Faire tremper les pièces pendant 5 minutes (15 - 20 minutes pour les pièces fortement entartrées). Rincer tous les composants à l'eau claire.

Étape 8 Pendant le trempage des composants, utiliser la moitié de la solution nettoyant/eau pour nettoyer toutes les surfaces de la zone alimentaire de la machine à glaçons et du bac (ou du distributeur). Utiliser une brosse en nylon ou un chiffon pour nettoyer les zones suivantes de la machine à glaçons :

- Parois latérales
- Base (zone au-dessus du bac à eau)
- Pièces en plastique de l'évaporateur – y compris les parties supérieures, inférieures et latérales
- Bac ou distributeur

Rincer complètement toutes les zones à l'eau claire.

PROCÉDURE DE DÉSINFECTION

Étape 9 Mélanger une solution désinfectante avec de l'eau tiède.

Type de solution	Eau	Mélangée avec
Désinfectant	12 l (3 gal.)	60 ml (2 oz) de désinfectant

Étape 10 Utiliser la moitié de la solution désinfectant/eau pour désinfecter tous les composants retirés. Utiliser un flacon pulvérisateur pour appliquer abondamment la solution sur toutes les surfaces des pièces retirées ou faire tremper les pièces retirées dans la solution désinfectant/eau. Ne pas rincer les pièces après la désinfection.

Étape 11 Utiliser la moitié de la solution désinfectant/eau pour désinfecter toutes les surfaces de la zone alimentaire de la machine à glaçons et du bac (ou du distributeur). Utiliser un flacon pulvérisateur pour appliquer abondamment la solution. Lors de la désinfection, faire particulièrement attention aux zones suivantes :

- Parois latérales
- Base (zone au-dessus du bac à eau)
- Pièces en plastique de l'évaporateur – y compris les parties supérieures, inférieures et latérales
- Bac ou distributeur

Ne pas rincer les zones désinfectées.

Étape 12 Remettre tous les composants retirés en place.

Étape 13 Attendre 20 minutes.

Étape 14 Rebrancher la machine à glaçons et appuyer sur les touches suivantes.

- Appuyer sur le bouton Nettoyer
- Appuyer le bouton flèche droite, sélectionner le bouton nettoyer oui
- Appuyer sur le bouton Coche
- Appuyer le bouton flèche droite, sélectionner le bouton démarrage auto oui
- Appuyer sur le bouton Coche

Étape 15 Attendre que le bac à eau se remplisse à nouveau et que l'écran indique qu'il faut ajouter la solution (environ 1 minute). Ajouter la quantité appropriée de désinfectant pour machine à glaçons Manitowoc dans le bac à eau en le versant entre le rideau d'eau et l'évaporateur.

Modèle	Quantité de désinfectant
I0600C/I0850C/I0970C/ I1000C/I1176C	90 ml (3 onces)
IB0690C/IB0890C	90 ml (3 onces)
IB1090C	104 ml (3,5 onces)
I1470C/I1870C/I2170C	355 ml (12 onces)

Étape 16 Fermer sécuritairement la porte avant. La machine à glaçons commencera automatiquement la fabrication de glaçons une fois que le cycle de désinfection est complété (environ 24 minutes).

RETRAIT DES PIÈCES POUR LE NETTOYAGE/LA DÉSINFECTION**I0600C/I0850C/I0970C/I1000C/I1200C****A. Retrait du rideau d'eau**

- Plier doucement le rideau en son centre et le retirer par la droite.
- Désengager la cheville gauche.

B. Retrait de la sonde d'épaisseur de glaçons

- Comprimer l'axe d'articulation sur le dessus de la sonde d'épaisseur des glaçons.
- Faire pivoter la sonde d'épaisseur de glaçons pour désengager une cheville puis l'autre. La sonde d'épaisseur des glaçons peut être nettoyée à ce stade sans être complètement retirée. En cas de retrait complet, débrancher le câble de la sonde d'épaisseur des glaçons du tableau de commande.

C. Retrait du bac à eau

- Appuyer sur les languettes sur la droite et la gauche du bac à eau.
- Laisser le bac à eau descendre en le tirant vers l'avant pour désengager les chevilles arrière.

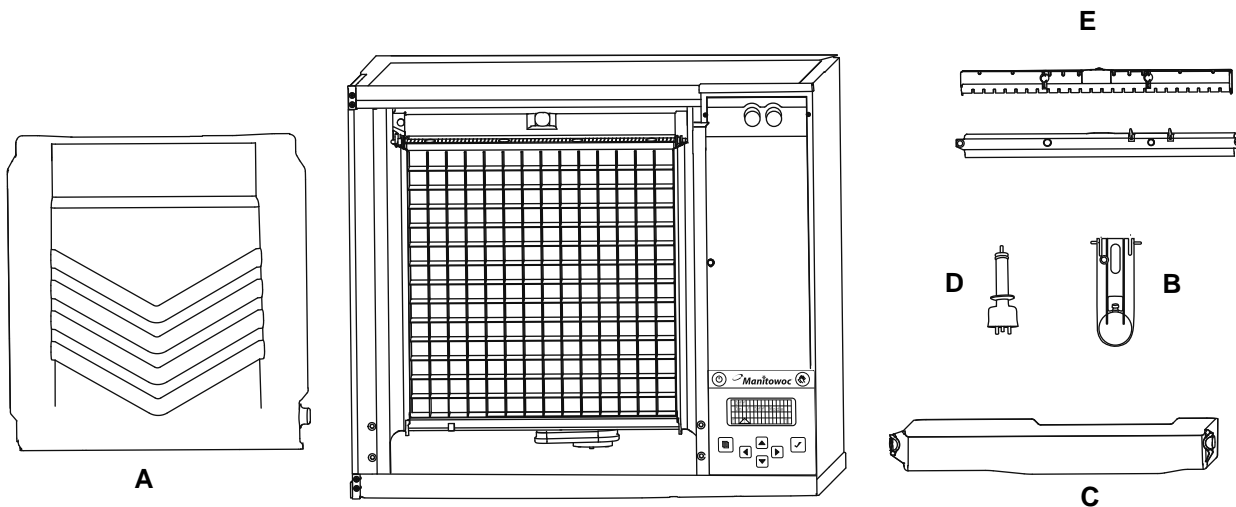
D. Retrait de la sonde du niveau d'eau

- Tirer la sonde de niveau d'eau vers le bas pour la désengager.
- Abaisser la sonde de niveau d'eau jusqu'à ce que le connecteur de câble soit visible.
- Débrancher le câble de la sonde de niveau d'eau.
- Retirer la sonde de niveau d'eau de la machine à glaçons.

E. Retrait du tube de distribution d'eau

REMARQUE : Les vis à oreilles du tube de distribution sont maintenues en place pour éviter toute perte. Desserrer les vis à oreilles sans les sortir du tube de distribution.

- Desserrer les deux vis extérieures (ne pas les retirer complètement étant donné qu'elles sont maintenues en place pour éviter toute perte) et tirer le tube de distribution vers l'avant pour libérer le joint coulissant.
- Démontez le tube de distribution en desserrant les deux (2) vis à oreilles du milieu et en séparant le tube de distribution en deux parties.



IB0690C/IB0890C/IB1090C

A. Retrait de l'écran anti-éclaboussures

- Saisir le centre supérieur des écrans anti-éclaboussures.
- Les soulever puis les sortir.

B. Retrait de la sonde d'épaisseur de glaçons

- Comprimer l'axe d'articulation sur le dessus de la sonde d'épaisseur des glaçons.
- Faire pivoter la sonde d'épaisseur de glaçons pour désengager une cheville puis l'autre. La sonde d'épaisseur des glaçons peut être nettoyée à ce stade sans être complètement retirée. En cas de retrait complet, débrancher le câble de la sonde d'épaisseur des glaçons du tableau de commande.

C. Retrait du bac à eau

- Appuyer sur les languettes sur la droite et la gauche du bac à eau.
- Laisser le bac à eau descendre en le tirant vers l'avant pour désengager les chevilles arrière.

D. Retrait de la sonde du niveau d'eau

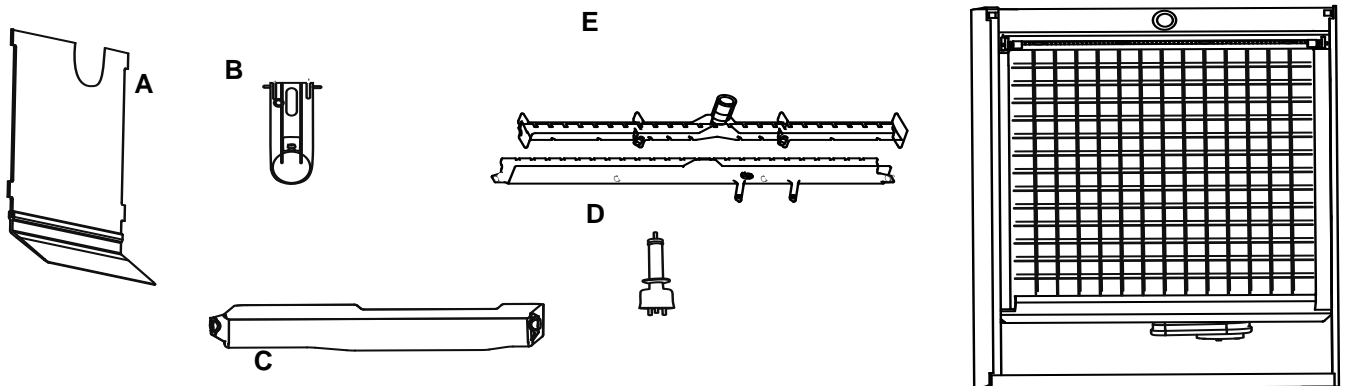
- Tirer la sonde de niveau d'eau vers le bas pour la désengager.
- Abaisser la sonde de niveau d'eau jusqu'à ce que le connecteur de câble soit visible.
- Débrancher le câble de la sonde de niveau d'eau.
- Retirer la sonde de niveau d'eau de la machine à glaçons.

E. Retrait du tube de distribution d'eau

REMARQUE : Les vis à oreilles du tube de distribution sont maintenues en place pour éviter toute perte. Desserrer les vis à oreilles sans les sortir du tube de distribution.

- Desserrer les deux vis extérieures (ne pas les retirer complètement étant donné qu'elles sont maintenues en place pour éviter toute perte) et tirer le tube de distribution vers l'avant pour libérer le joint coulissant.

Démonter le tube de distribution en desserrant les deux (2) vis à oreilles du milieu et en séparant le tube de distribution en deux parties.



I1470C/I1870C/I2170C

A. Retrait des écrans anti-éclaboussures

- Saisir le centre supérieur des écrans anti-éclaboussures.
- Les soulever puis les sortir.

B. Retrait de la sonde d'épaisseur de glaçons

- Comprimer l'axe d'articulation sur le dessus de la sonde d'épaisseur des glaçons.
- Faire pivoter la sonde d'épaisseur de glaçons pour désengager une cheville puis l'autre. La sonde d'épaisseur des glaçons peut être nettoyée à ce stade sans être complètement retirée. En cas de retrait complet, débrancher le câble de la sonde d'épaisseur des glaçons du tableau de commande.

C. Retrait de l'écran du bac à eau

- Saisir l'écran du bac à eau par le centre et l'extrémité gauche.
- Plier l'écran du bac à eau en son centre et tirer l'extrémité gauche vers l'avant jusqu'à libérer la paroi latérale. Répéter l'opération pour l'extrémité droite.
- Tirer l'écran du bac à eau vers l'avant pour le retirer.

D. Retrait des tubes de distribution

- Les vis à oreilles des tubes de distribution sont maintenues en place pour éviter toute perte. Desserrer les vis à oreilles sans les sortir du tube de distribution.
- Desserrer les deux vis extérieures et tirer le tube de distribution vers l'avant pour libérer le joint coulissant.
- Démontez le tube de distribution en desserrant les deux (2) vis à oreilles du milieu et en séparant le tube de distribution en deux parties.

E. Retrait des amortisseurs de glaçons

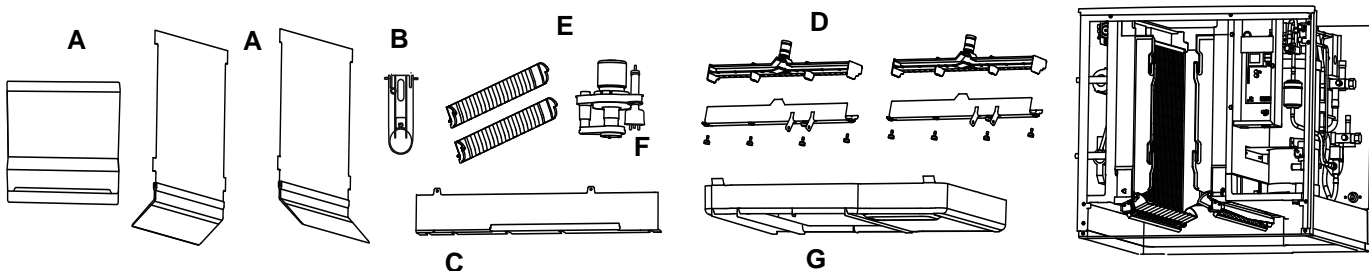
- Saisir l'amortisseur de glaçons et appuyer sur le support de montage arrière.
- Appuyer sur le support de montage avant avec le pouce.
- Tirer l'amortisseur de glaçons vers le bas lorsque la cheville de l'amortisseur de glaçons avant se désengage.

F. Retrait de l'ensemble de pompe à eau

- Débrancher le tube de distribution en vinyle de la pompe à eau.
- Débrancher la pompe à eau et les raccordements électriques de la sonde de niveau d'eau.
- Une fois les câbles déconnectés, appuyer sur les deux languettes et soulever l'ensemble de pompe à eau pour le sortir de la machine à glaçons.
- Ne pas immerger le moteur de la pompe à eau dans une solution nettoyante ou désinfectante.

G. Retrait du bac à eau

- Appuyer sur les deux languettes sur le dessus du bac à eau.
- Faire tourner les amortisseurs de glaçons gauche et droit vers le bas pour vider le bac à eau.
- Tirer le bac à eau vers l'avant pour le retirer.



Procédure de nettoyage pour l'entretien préventif

Cette procédure nettoie tous les composants dans la trajectoire du débit d'eau, et est utilisée pour nettoyer la machine à glaçons entre la procédure semi annuelle de nettoyage et de désinfection.

Utiliser le nettoyant pour machine à glaçons pour éliminer le tartre et les dépôts minéraux. Le désinfectant pour machine à glaçons désinfecte et élimine les algues et tout film biologique.

REMARQUE : Bien que ce ne soit pas nécessaire et selon votre installation, enlever le couvercle supérieur de la machine à glaçons peut faciliter l'accès.

Étape 1 La glace ne doit pas se trouver sur l'évaporateur durant le cycle de nettoyage. Suivre une des méthodes ci-dessous :

- Appuyer sur l'interrupteur à bascule une fois que les glaçons tombent de l'évaporateur à la fin d'un cycle de récupération des glaçons.
- Appuyer sur l'interrupteur et laisser la glace fondre.

Attention

Ne jamais utiliser quoi que ce soit pour forcer la glace à sortir de l'évaporateur. Ceci pourrait causer des dommages.

Étape 2 Ouvrir la porte avant pour accéder à l'évaporateur.

Étape 3 Appuyer sur l'interrupteur Nettoyage. L'eau s'écoulera par le robinet d'évacuation d'eau et par l'évacuation d'eau. Attendre que le bac à eau se remplisse à nouveau et que l'écran indique qu'il faut ajouter la solution (environ 3 minutes), puis ajouter la quantité appropriée de nettoyant pour machine à glaçons.

Modèle	Quantité de nettoyant
I0600C/I0850C/I0970C/ I1000C/I1176C	150 ml (5 onces)
IB0690C/IB0890C/IB1090C	150 ml (5 onces)
I1470C/I1870C/I2170C	270 ml (9 onces)

Étape 4 Fermer sécuritairement la porte avant. La machine à glaçons commencera automatiquement la fabrication de glaçons une fois que le cycle de nettoyage est complété (environ 24 minutes).

Nettoyage du condenseur

Avertissement

Débrancher l'alimentation électrique de la partie principale de la machine à glaçons et l'unité de condensation à distance au niveau des interrupteurs de distribution électrique avant de nettoyer le condenseur.

Un condenseur sale restreint le débit d'air, entraînant ainsi des températures de fonctionnement excessivement élevées. Ce qui réduit la production de glaçons et raccourcit la durée de vie des composants.

- Nettoyer le condenseur au moins tous les six mois.

Avertissement

Les ailettes du condenseur sont coupantes. Faire attention en les nettoyant.

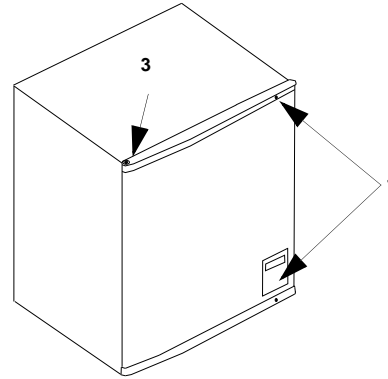
- Éclairer une lampe de poche dans le condenseur pour inspecter toute présence éventuelle de saleté entre les ailettes.
- Souffler à l'air comprimé ou rincer à l'eau de l'intérieur vers l'extérieur (sens opposé du débit d'air).
- S'il reste de la saleté, contacter un agent de service pour nettoyer le condenseur.

Mise hors service/Hivérization

1. Nettoyer et désinfecter la machine à glaçons.
2. Couper l'alimentation en eau, débrancher et vider la conduite d'eau de fabrication de glaçons entrante à l'arrière de la machine à glaçons et vider le bac à eau.
3. Mettre la machine à glaçons sous tension, attendre une minute pour que le robinet d'arrivée d'eau s'ouvre et souffler de l'air comprimé dans les ouvertures de l'eau entrante et de l'évacuation à l'arrière de la machine à glaçons pour retirer toute l'eau.
4. Appuyer sur le bouton d'alimentation pour éteindre la machine à glaçons et débrancher l'alimentation électrique au niveau du disjoncteur ou de l'interrupteur de service électrique.
5. Remplir un flacon pulvérisateur de désinfectant et vaporiser toutes les surfaces de zone alimentaire intérieures. Ne pas rincer et laisser sécher à l'air.
6. Remettre tous les panneaux en place.

Retrait des portes

1. À l'aide d'un tournevis cruciforme, desserrer les deux vis maintenant les portes gauche et droite. Ne pas les retirer, elles sont fixées pour éviter de les perdre.
2. Ouvrir la porte avant gauche à 90 degrés.



Retrait des portes

3. Soutenir de la main droite, enfoncer la cheville supérieure, basculer le haut de la porte vers l'avant et la soulever de la cheville inférieure pour la retirer.

Section 5

Service clientèle

Liste de vérification avant d'appeler le service technique

En cas de problème pendant le fonctionnement de la machine à glaçons, suivre la liste de vérification ci-dessous avant de contacter le service technique. Les réglages périodiques et procédures d'entretien ne sont pas couverts par la garantie.

Problème	Cause possible	Mesure corrective
La machine à glaçons ne fonctionne pas.	Absence d'alimentation électrique à la machine à glaçons et/ou à l'unité de condensation.	Remplacer le fusible/réinitialiser le disjoncteur/activer l'interrupteur principal.
	Déclenchement de coupure haute pression.	Nettoyer le serpentin du condenseur. (Voir Section 4)
	L'interrupteur d'alimentation n'a pas été appuyé.	Appuyer sur l'interrupteur d'alimentation pour démarrer la machine à glaçons
	Le rideau d'eau est coincé ouvert ou a été enlevé.	Le rideau d'eau ou l'amortisseur de glaçons doit être installé et osciller librement. (Voir Section 4)
	Les robinets de service du récepteur à distance et/ou les robinets d'arrêt des conduites de liquide/d'aspiration sont fermés.	Ouvrir le ou les robinets. (Voir Section 2)
	IB uniquement – Thermostat de niveau du distributeur ouvert.	Régler le thermostat pour maintenir le niveau correct du distributeur.
La machine à glaçons s'arrête et peut redémarrer en appuyant sur l'interrupteur d'alimentation.	La fonction de limite de sécurité arrête la machine à glaçons.	Se reporter à « Fonction de limite de sécurité » à la page suivante.
La machine à glaçons ne libère pas les glaçons ou est lente à récupérer les glaçons.	La machine à glaçons est sale.	Nettoyer et désinfecter la machine à glaçons. (Voir Section 4)
	La machine à glaçons n'est pas nivelée.	Niveler la machine à glaçons. (Voir Section 2)
	Température ambiante faible autour de la partie principale de la machine à glaçons.	La température d'air doit être au moins de 1,6 °C (35 °F).
La machine à glaçons ne cycle pas en mode de récupération.	Le verrouillage de temps de congélation de six minutes n'est pas encore arrivé à échéance.	Attendre que le verrouillage de congélation arrive à échéance.
	La sonde d'épaisseur des glaçons est sale.	Nettoyer et désinfecter la machine à glaçons. (Voir Section 4)
	La sonde d'épaisseur des glaçons est débranchée.	Raccorder le fil.
	La sonde d'épaisseur des glaçons est dérégulée.	Régler la sonde d'épaisseur de glaçons. (Voir Section 3)
	Remplissage de glaçon irrégulier (mince sur le dessus de l'évaporateur).	Vérifier la présence d'un niveau d'eau suffisant dans le bac du puisard. Contacter une entreprise de maintenance qualifiée pour inspecter le système de réfrigération.
La qualité des glaçons est médiocre (mous ou opaques).	Qualité médiocre de l'eau entrante.	Contacteur une entreprise de maintenance qualifiée pour tester la qualité de l'eau entrante et faire les recommandations de filtre appropriées.
	La filtration de l'eau est médiocre.	Changer le filtre.
	La machine à glaçons est sale.	Nettoyer et désinfecter la machine à glaçons. (Voir Section 4)
	Le robinet de vidange d'eau ne fonctionne pas.	Démonter et nettoyer le robinet de vidange d'eau. (Voir Section 4)
	L'adoucisseur d'eau ne fonctionne pas correctement (le cas échéant).	Réparer l'adoucisseur d'eau.

Problème	Cause possible	Mesure corrective
La machine à glaçons produit des glaçons creux et incomplets, ou le motif de remplissage de glaçons sur l'évaporateur est incomplet.	La sonde d'épaisseur des glaçons est dérégulée.	Régler la sonde d'épaisseur de glaçons. (Voir Section 3)
	L'eau s'écoule du bac à eau.	Nettoyer le robinet de vidange (vérifier la présence d'eau au niveau de la sortie d'évacuation lors du cycle de congélation), réinstaller le rideau d'eau, nettoyer la machine à glaçons pour arrêter l'eau qui s'écoule du bac.
	La crépine du robinet d'arrivée d'eau est sale.	Retirer le robinet d'arrivée d'eau et nettoyer la crépine. (Voir Section 4)
	La filtration de l'eau est médiocre.	Changer le filtre.
	Eau d'arrivée chaude.	Raccorder la machine à glaçons à une alimentation en eau froide. (Voir Section 2)
	Le robinet d'arrivée d'eau ne fonctionne pas.	Nettoyer ou remplacer le robinet d'arrivée d'eau. (Voir Section 4)
	Pression d'eau entrante incorrecte.	La pression d'eau doit être de 137,9 - 551,5 kPa (20-80 psi)
	La partie principale de la machine à glaçons n'est pas nivelée.	Niveler la partie principale de la machine à glaçons. (Voir Section 2)
Faible capacité de glaçons.	La crépine du robinet d'arrivée d'eau est sale.	Retirer le robinet d'arrivée d'eau et nettoyer la crépine. (Voir Section 4)
	L'alimentation d'eau entrante est fermée.	Ouvrir le robinet de service d'eau.
	Le robinet d'arrivée d'eau est coincé ouvert ou fuit.	Remplacer le robinet d'arrivée d'eau.
	Le condenseur est sale.	Nettoyer le condenseur. (Voir Section 4)
	Une température d'air élevée entre dans le condenseur.	La température d'air ne doit pas être supérieure à 54 °C (130 °F) ICVD0695/ICVD1195/ICVD2095/ICVD3095 - 49 °C (120 °F)
	Le compresseur d'air auxiliaire de récupération ne fonctionne pas.	Contactez le service technique.

FONCTION DE LIMITE DE SÉCURITÉ

En plus des contrôles de sécurité standard, tels que la coupure haute pression, la machine à glaçons Manitowoc comporte des limites de sécurité intégrées qui arrêteront la machine à glaçons dans l'éventualité de conditions susceptibles de provoquer une défaillance de composants principaux.

Avant de contacter le service technique, redémarrer la machine à glaçons en respectant la procédure suivante :

1. Appuyer sur le bouton d'alimentation, l'écran indique « Arrêt ». Appuyer sur le bouton d'alimentation de nouveau et l'écran indique « Fab. glace ».
 - A. Si la limite de sécurité a arrêté la machine à glaçons, celle-ci se remettra en marche après un court délai. Passer à l'étape 2.
 - B. Si la machine à glaçons ne se remet pas en marche, voir la section « La machine à glaçons ne fonctionne pas » à la page précédente.
2. Laisser fonctionner la machine à glaçons pour voir si la condition se répète.
 - A. Si la machine à glaçons s'arrête à nouveau, c'est que la condition s'est répétée. Contacter le service technique.
 - B. Si la machine à glaçons continue de fonctionner c'est que la condition s'est rectifiée d'elle-même. Laisser la machine à glaçons continuer à fonctionner.

Garantie commerciale de la machine à glaçons

Manitowoc Ice, Inc. (ci-après appelée la « SOCIÉTÉ ») garantit, pendant une période de trente-six mois à compter de la date d'installation (exception faite de la limitation ci-dessous), que les nouvelles machines à glaçons fabriquées par la SOCIÉTÉ sont exemptes de tout défaut de matériaux ou de fabrication à condition d'une utilisation et d'entretien normaux et appropriés tels que spécifiés par la SOCIÉTÉ, et avec une installation et une mise en service appropriées conformes au manuel d'instructions fourni avec la machine à glaçons. La garantie de la SOCIÉTÉ ci-après relative au compresseur s'applique pendant vingt-quatre mois supplémentaires, à l'exclusion des frais de main d'œuvre, et relative à l'évaporateur pendant vingt-quatre mois supplémentaires, y compris les frais de main d'œuvre.

L'obligation de la SOCIÉTÉ en vertu de la présente garantie est limitée à la réparation ou au remplacement des pièces, des composants ou des ensembles qui, selon la SOCIÉTÉ, sont défectueux. La présente garantie est également limitée au coût des pièces, composants ou ensembles, et aux frais de main d'œuvre au salaire de base sur le lieu du service technique.

Les tarifs de taux de base et horaires, tels que publiés de temps à autre par la SOCIÉTÉ, s'appliquent à toutes les procédures de service. Les frais supplémentaires, y compris mais sans s'y limiter, le temps de déplacement, la majoration pour travail supplémentaire, le coût des matériaux, l'accès à la machine à glaçons ou son retrait, ou encore l'expédition, sont à la charge du propriétaire, tout comme le sont l'entretien, les réglages, le nettoyage et les achats de glaçons. Le travail couvert par la présente garantie doit être effectué par un représentant du service technique sous contrat de la SOCIÉTÉ ou par un organisme de service de réfrigération tel que qualifié et homologué par le distributeur local de la SOCIÉTÉ. La responsabilité de la SOCIÉTÉ en vertu de la présente garantie ne sera en aucun cas supérieure au prix d'achat réel payé par le client pour la machine à glaçons.

La garantie précédente ne s'appliquera pas à (1) toute pièce ou tout ensemble qui auront été altérés, modifiés ou changés ; (2) toute pièce ou tout ensemble qui auront été soumis à une mauvaise utilisation, un abus, une négligence ou des accidents ; (3) toute machine à glaçons qui aura été installée et/ou entretenue à l'encontre des instructions techniques fournies par la SOCIÉTÉ ; ou (4) toute machine à glaçons qui aura été initialement installée plus de cinq ans à compter de la date de production du numéro de série. La présente garantie ne s'applique pas si le système de réfrigération de la machine à glaçons est modifié par un condenseur, un récupérateur de chaleur ou d'autres pièces ou ensembles non fabriqués par la SOCIÉTÉ, sauf en cas de l'approbation écrite par la SOCIÉTÉ de ces modifications pour des emplacements spécifiques.

LA PRÉSENTE GARANTIE REMPLACE TOUTES LES AUTRES GARANTIES DE TOUTE SORTE, EXPRESSES OU TACITES, Y COMPRIS TOUTE GARANTIE IMPLICITE DE QUALITÉ MARCHANDE OU D'ADAPTATION À UN USAGE PARTICULIER.

En aucun cas, la SOCIÉTÉ ne peut être tenue responsable des dommages spéciaux, indirects, accessoires ou consécutifs. Lors de l'échéance de la période de garantie, la responsabilité de la SOCIÉTÉ en vertu de la présente garantie viendra à échéance. La garantie précédente constitue la seule responsabilité de la SOCIÉTÉ et le recours exclusif du client ou de l'utilisateur.

Pour assurer un service de garantie prompt et permanent, la carte de garantie doit être remplie et envoyée à la SOCIÉTÉ dans les cinq (5) jours suivant la date d'installation.

Remplir ce qui suit et conserver cette information :

Distributeur/Revendeur _____

Référence de modèle _____ Numéro de série _____

Date d'installation _____

MANITOWOC ICE

2110 So. 26th St., P.O. Box 1720, Manitowoc, WI 54221-1720 USA

Téléphone : 920-682-0161 • Fax : 920-683-7585

Site Web - www.manitowocice.com

Formulaire 80-0373-3 Rév. 01/02

Garantie limitée résidentielle de la machine à glaçons

CE QUE COUVRE LA PRÉSENTE GARANTIE LIMITÉE

Sous réserve des exclusions et limitations ci-dessous, Manitowoc Foodservice (« Manitowoc ») garantit au client d'origine toute nouvelle machine à glaçons fabriquée par Manitowoc (le « Produit ») contre tout défaut de matériau ou vice de fabrication pendant la période de garantie décrite ci-dessous dans des conditions normales d'utilisation et d'entretien, et suite à une installation et une mise en service correctes conformément au manuel d'instructions fourni avec le Produit.

PÉRIODE DE CETTE GARANTIE LIMITÉE

<u>Produit couvert</u>	<u>Période de garantie</u>
Machine à glaçons	Douze (12) mois à compter de la date de vente

PERSONNES COUVERTES PAR CETTE GARANTIE LIMITÉE

La présente garantie limitée s'applique uniquement au client d'origine du Produit et n'est pas transférable.

OBLIGATIONS DE MANITOWOC ICE DANS LE CADRE DE CETTE GARANTIE LIMITÉE

En cas de défaut et de réception par Manitowoc d'une déclaration de dommage valide avant l'expiration de la période de garantie, Manitowoc doit, sur sa décision : (1) réparer le Produit à ses frais, y compris les frais de main d'œuvre standard en heures normales, (2) remplacer le Produit par un nouveau produit ou un produit équivalent à l'original ou (3) rembourser le prix d'achat du Produit. Les pièces de rechange sont garanties pendant 90 jours ou pour le reste de la période de garantie d'origine, si elle est plus longue. Les éléments précédents constituent l'unique obligation de Manitowoc et le recours exclusif du client en cas de rupture de la présente garantie limitée. La responsabilité de Manitowoc dans le cadre de la présente garantie limitée se limite au prix d'achat du Produit. Toutes dépenses supplémentaires, y compris mais sans s'y limiter, le temps de déplacement pour service, les frais de main d'œuvre d'heures supplémentaires ou de majoration, l'accessibilité au Produit ou son retrait, ou l'expédition sont à la charge du client.

OBTENTION DE SERVICE DE GARANTIE

Pour obtenir un service de garantie ou toute information concernant le Produit, veuillez nous contacter :

MANITOWOC FOODSERVICE

2110 So. 26th St.

P.O. Box 1720,

Manitowoc, WI 54221-1720 USA

Téléphone : 920-682-0161 Fax : 920-683-7585

www.manitowocice.com

CE QUI N'EST PAS COUVERT

La présente garantie limitée ne couvre pas, et laisse à votre seule responsabilité, les frais de ce qui suit : (1) maintenance périodique ou de routine, (2) réparation ou remplacement du Produit ou des pièces suite à une usure normale, (3) défauts ou dommages du Produit ou des pièces du fait d'une mauvaise utilisation, d'une utilisation abusive, de négligences ou d'accidents, (4) défauts ou dommages du Produit ou des pièces du fait d'altérations, de modifications ou de changements incorrects ou non autorisés et (5) défauts ou dommages d'un Produit non installé et/ou maintenu conformément au manuel d'instructions ou aux spécifications techniques fournis par Manitowoc. Dans la mesure où ces exclusions de garantie dépendent des lois nationales, il est possible qu'elles ne vous concernent pas.

SAUF TEL QU'INDIQUÉ PAR LA PHRASE SUIVANTE, LA PRÉSENTE GARANTIE LIMITÉE REPRÉSENTE LA SEULE ET UNIQUE GARANTIE DE MANITOWOC CONCERNANT LE PRODUIT. TOUTES LES GARANTIES TACITES SONT STRICTEMENT LIMITÉES À LA DURÉE DE LA GARANTIE LIMITÉE S'APPLIQUANT AUX PRODUITS, COMME INDIQUÉ PRÉCÉDEMMENT, Y COMPRIS, SANS TOUTEFOIS S'Y LIMITER, TOUTE GARANTIE DE QUALITÉ MARCHANDE OU D'ADAPTATION À UN USAGE PARTICULIER.

Certains pays ne permettant pas de limitations sur la durée d'une garantie tacite, il est possible que la limitation ci-dessus ne vous concerne pas.

EN AUCUN CAS, MANITOWOC OU UNE DE SES FILIALES, NE PEUT ÊTRE TENUE POUR RESPONSABLE DU CLIENT OU DE TOUTE AUTRE PERSONNE EN CAS DE DOMMAGES ACCESSOIRES, CONSÉCUTIFS OU PARTICULIERS DE TOUTE NATURE (Y COMPRIS, MAIS SANS TOUTEFOIS S'Y LIMITER, UNE PERTE DE PROFITS, DE REVENUS OU COMMERCIALE) DÉCOULANT, OU LIÉS DE QUELQUE MANIÈRE QUE CE SOIT, AU PRODUIT, À UNE RUPTURE DE LA PRÉSENTE GARANTIE LIMITÉE, OU À TOUTE AUTRE CAUSE, QUELLE QU'ELLE SOIT, BASÉE SUR LE CONTRAT, SUR LA RESPONSABILITÉ CIVILE OU TOUTE AUTRE RESPONSABILITÉ.

Certaines juridictions ne permettant pas l'exclusion ou la limitation de dommages accessoires ou consécutifs, il est possible que cette limitation ou exclusion ci-dessus ne vous concerne pas.

APPLICATION DES LOIS NATIONALES

La présente garantie limitée vous offre des droits légaux spécifiques et il se peut que vous ayez d'autres droits qui varient d'une juridiction à une autre.

CARTE DE GARANTIE

Pour assurer un service de garantie prompt et permanent, cette carte de garantie doit être remplie et envoyée à Manitowoc dans les trente (30) jours suivant la date de vente. Remplir la carte de garantie suivante et l'envoyer à Manitowoc.



MANITOWOC FOODSERVICE – ICE MACHINE DIVISION
2110 SOUTH 26TH STREET, MANITOWOC, WI 54220

800-545-5720
WWW.MANITOWOCICE.COM

Every new piece of Manitowoc Foodservice equipment comes with KitchenCare™ and you choose the level of service that meets your operational needs from one restaurant to multiple locations.

StarCare – Warranty & lifetime service, certified OEM parts, global parts inventory, performance audited

ExtraCare — CareCode, 24/7 Support, online/mobile product information

LifeCare – Install & equipment orientation, planned maintenance, KitchenConnect™, MenuConnect

Talk with KitchenCare™ • 1-844-724-CARE • www.mtwkitchencare.com



To learn how Manitowoc Foodservice and its leading brands can equip you, visit our global web site at www.manitowocfoodservice.com, then discover the regional or local resources available to you.

