



***Manitowoc***  
Foodservice  
**Parts Manual**

For more Parts Information:  
<https://manitowocfsg.sysonline.com/Default.aspx>

# TABLE OF CONTENTS

Manitowoc Foodservice [Updated: Sep. 30, 2013]

Manitowoc - Ice & Related

Parts Catalog

Ice Machine

J Series

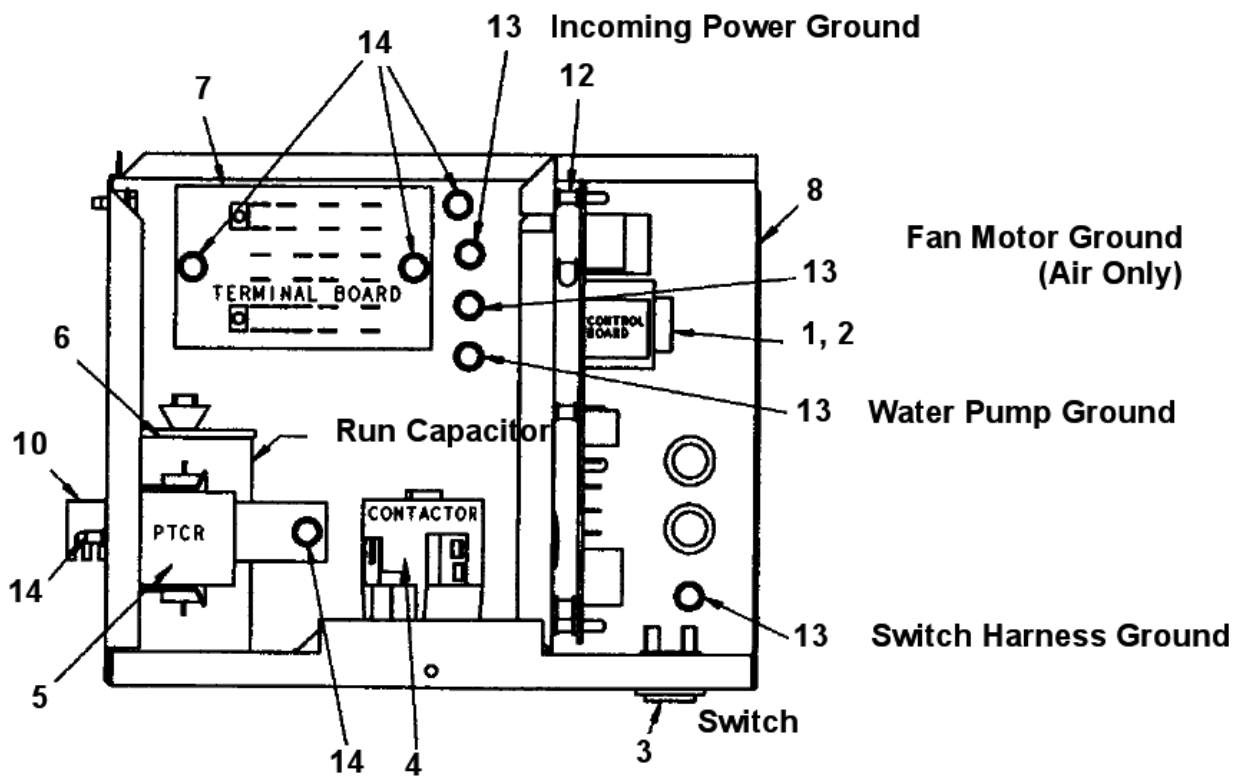
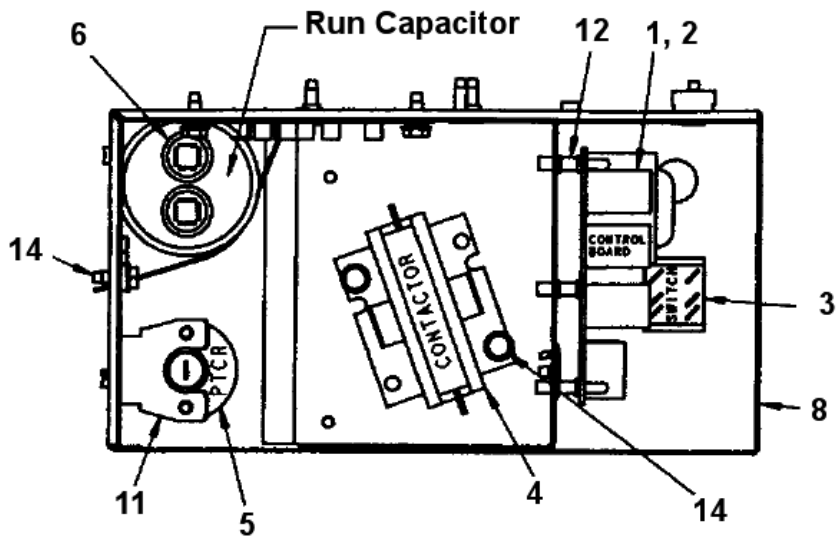
J Model - Air, Water & Remote

J0450

J0450 - Control Box Components .....	1
J0450 - Evaporator Compartment - Common Components .....	3
J0450 - Refrigeration Compartment - Common Components .....	6
J0450 - Refrigeration Compartment - Air-cooled Components .....	9
J0450 - Refrigeration Compartment - Water-cooled Components .....	11
J0450 - Refrigeration Compartment - Remote Components .....	13
J0450 - Panels .....	15
JC0495 Remote Condenser Components .....	17

# J0450

## J0450 - CONTROL BOX COMPONENTS



# J0450

## J0450 - CONTROL BOX COMPONENTS

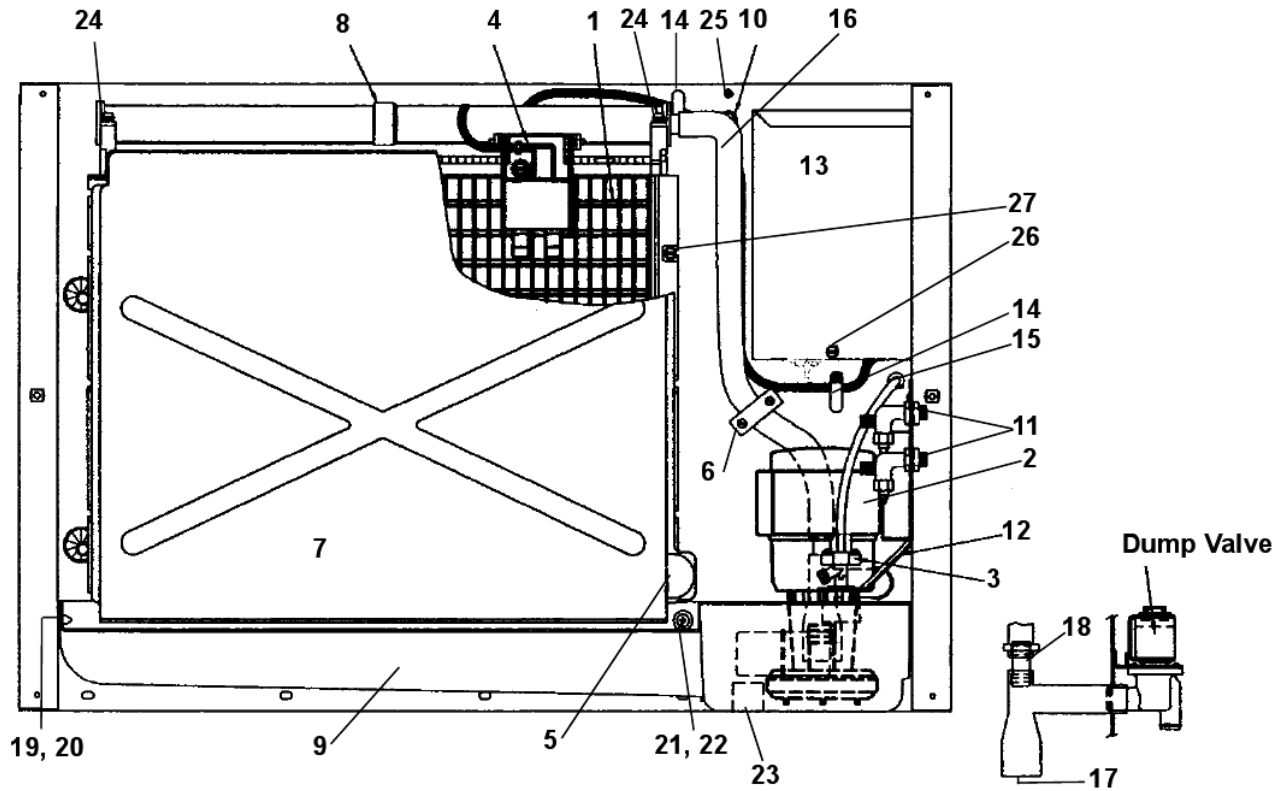
#	PART #	DESCRIPTION	QTY	Note
1	7627823	Control Board		
2		Fuses - Mounted On Control Board		
2a	2511003	7 Amp Fuse - Mounted on Control Board		
2b	2511169	0.125 Amp 60 Hz Mini Fuse		
2c	2511053	0.100 Amp 50 Hz Mini Fuse		[1]
3	2301343	Toggle Switch Only		
3a	2032173	Toggle Switch with Wiring Harness Attached		
4		Contactor		
4a	2006589	Contactor - 115V/60 Hz/1 Ph		
4b	2006599	Contactor - 230V/50-60 Hz/1 Ph		
5	8505003	PTCR Compressor Starter		
6		Compressor Run Capacitor		
6a	2010143	Run Capacitor - 115V/60 Hz/1 Ph		
6b	8504003	Run Capacitor - 208-230V/50-60 Hz/1 Ph		
7		Terminal Board With Wire Harness Attached		
7a		115V/60 Hz		[2]
7b		50 Hz/1 Ph		[2]
7c	2032083	60 Hz/1 Ph		
8		Control Box		[2]
9	7625073	Control Box Cover		
10	6021601	Capacitor Mounting Strap		
11	8505023	PTCR Mounting Bracket		
12	4302253	Control Board Mounting Supports		
13	5202169	Screw - #10-24 x 0.50" Ground		
14	5202069	Screw - #10-24 x 0.50" HEX		

### PART NOTES:

- [1] - Discontinued
- [2] - No Longer Available

# J0450

## J0450 - EVAPORATOR COMPARTMENT - COMMON COMPONENTS



# J0450

## J0450 - EVAPORATOR COMPARTMENT - COMMON COMPONENTS

#	PART #	DESCRIPTION	QTY	Note
1		Evaporator Assembly		
1a	7625159	Regular Cube		
1b	7625149	Evaporator - Dice Cube		
1c	7625139	Half Dice Cube		
1d	7626213	Evaporator Top Molding and Gasket Assembly		
2		Water Pump		
2a	7623063	Water Pump - 115V/60 Hz		
2b	7626013	Water Pump - 230V/50-60 Hz		
3	8369049	Float Valve Assembly		
3a	8369069	Float Valve Screen		
3b	8369089	Float Valve Plunger		
3c	5650729	Compression Nut		
4	7627813	Ice Thickness Control Probe		
5	2301483	Magnetic Bin Switch		
6	7620543	Water Flow Clamp - Use on Regular Cube Evap. Only		
7	4304643	Water Curtain		
7a	7627763	Water Curtain Pin Assembly		
7b	7628023	Water Curtain Magnet and Cap		
8	7624983	Water Distribution Tube - B/J/Q		
9	7627483	Water Trough		
10	2355369	High Pressure Cut-out Control		
11	8373109	Process Valve		
12	7621403	Bracket		
13	7625073	Control Box Cover		
14	5650909	Clip		
15	4420291	Water Inlet Vinyl Tube - 0.25" OD		
16	4420833	Tubing, Vinyl 0.625 ID		[1]
17	4300573	Reducing Tee		
18	8390059	Union Connector		
19	4302013	Water Trough Support		[2]
20	5429459	Water Trough Support Pin Nylon Hex Nut		
21	5650853	Receptacle		[3]
22	5650863	Wing Nut		[4]
23	7627043	Water Trough Support Clip		
24	5000013	Thumbscrew - #8-32 x 0.375"		
25	5121669	Screw - #8-32 x 0.50"		
26	5202069	Screw - #10-24 x 0.50" HEX		
27	5202059	Screw		
28	5202189	Screw - #10-24 x 0.75"		

### PART NOTES:

- [1] - Water Pump Out
- [2] - Order Nylon Hex Nut Separately

# J0450

## J0450 - EVAPORATOR COMPARTMENT - COMMON COMPONENTS

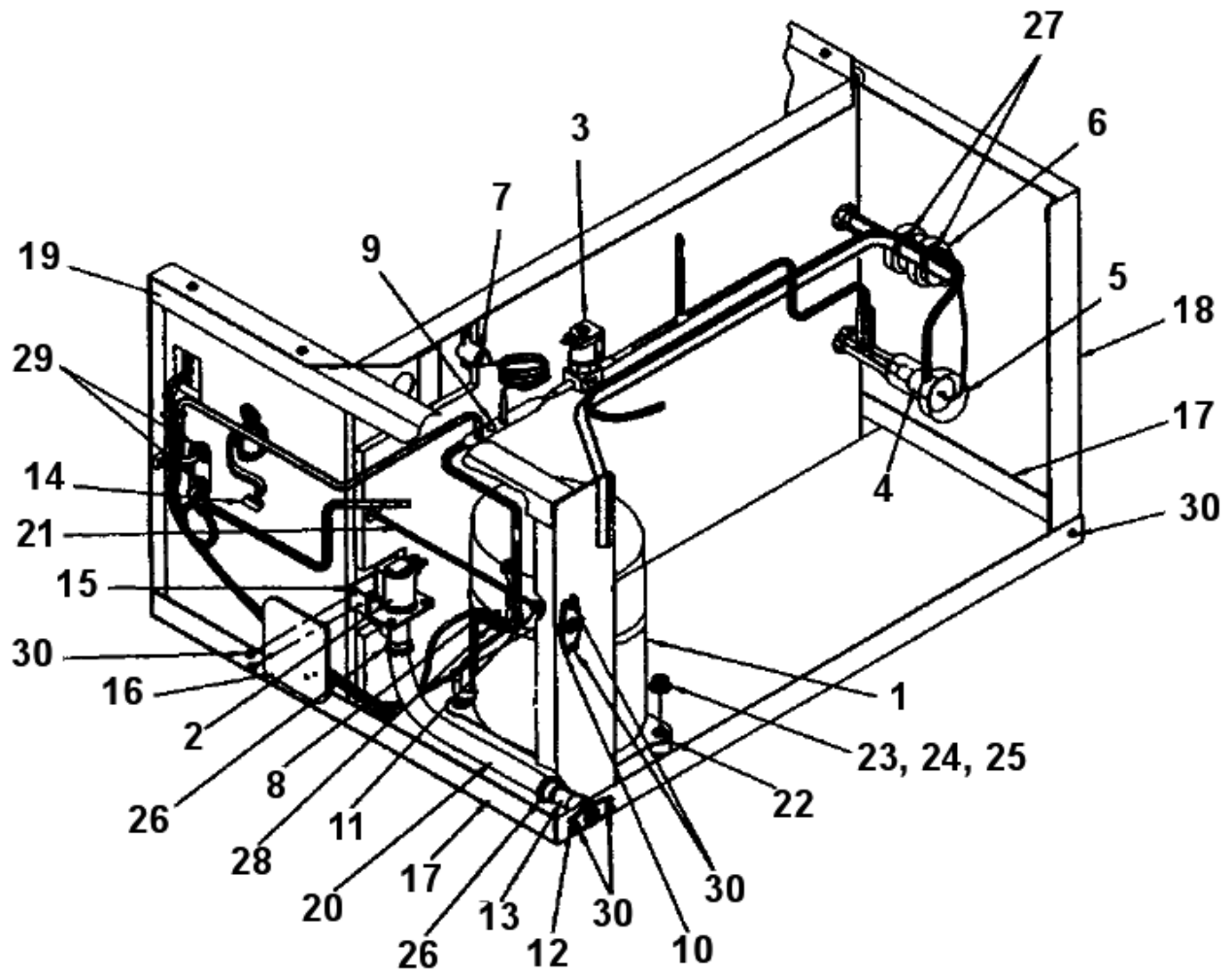
#	PART #	DESCRIPTION	QTY	Note
---	--------	-------------	-----	------

**PART NOTES:**

- [3] - Female Side
- [4] - Male Side

# J0450

## J0450 - REFRIGERATION COMPARTMENT - COMMON COMPONENTS





# J0450

## J0450 - REFRIGERATION COMPARTMENT - COMMON COMPONENTS

#	PART #	DESCRIPTION	QTY	Note
1		Compressor		
1a	7628103	Compressor - Tecumseh - 115V/60 Hz/1 Ph		
1b	8505553	Overload		
1c	7628123	Compressor - Tecumseh - 208-230V/60 Hz/1 Ph		
1d	8505563	Overload		
1e	7628113	Compressor - Tecumseh - 230V/50 Hz/1 Ph		
1f	8505573	Overload		
2		Water Dump Valve		
2a		Dump Valve Rebuild Kit		[1]
2b	000001767	Water Dump Valve - 115V/60 Hz		
2c	000001768	Water Dump Valve - 208-230V/50-60 Hz		
3		Hot Gas Valve		
3a	7630011	Danfoss Solenoid Valve With Coil - 115V/60 Hz		
3b	000005156	Danfoss Solenoid Valve Coil Only - 115V/60 Hz		[2]
3c	2404363	Alco Solenoid Valve Coil Only - 115V/60 Hz		
3d	7630071	Danfoss Solenoid Valve With Coil - 208-230V/50-60 Hz		
3e	000005157	Danfoss Solenoid Valve Coil Only - 230V/50-60 Hz		[3]
3f	2404483	Alco Solenoid Valve Coil Only - 230V/50 Hz		
4	7600193	Expansion Valve		
5		Expansion Valve Body Insulation Boot		
5a	4007213	Valve Insulation Boot - Body		
5b	4000363	Valve Insulation Boot - Body		
6	4007203	Valve Insulation Boot - Bulb		[4]
7	2355369	High Pressure Cut-out Control		
8	2351163	Thermistor		
9	8310163	Manifold Strainer		
10	8706093	Female Wing Adapter - 0.375"		
11	1360961	Male Connector		[5]
12	1706021	Water Adapter, 1/2" NPT		
13	110481	Water Drain Copper Tube Insert		
14	2078103	Water Pump Electrical Wire Lead		
15	6260314	Dump Valve Mounting Bracket		
16	7000623	Dump Valve Shield		[6]
17		Base Angle		[1]
18		Left Corner Post Weldment		[1]
19		Right Corner Post Weldment		[1]
20	4420383	Clear Tubing - 0.625" ID		
21	4420293	Water Inlet Vinyl Tubing, 0.25 OD		
22	8503069	Mounting - Rubber Grommet		
23	8503949	Mounting - Sleeve		[7]
24	5430029	Nut		[8]
25	5573099	Mounting - Flatwasher		

# J0450

## J0450 - REFRIGERATION COMPARTMENT - COMMON COMPONENTS

#	PART #	DESCRIPTION	QTY	Note
26	5650709	Snap Clamp - 0.799"/0.899" ID		
27	5650529	Clamp - Expansion Valve Bulb		
28	5650773	Worm Drive Clamp		
29	5475039	Locknut - 0.375" - 18 NPS		
30	5202069	Screw - #10-24 x 0.50" HEX		

### PART NOTES:

- [1] - No Longer Available
- [2] - \pages from 000005156\_02.jpg" width=280 height=256>
- [3] - \pages from 000005156\_02.jpg" width=266 height=183>
- [4] - \pages from 400720\_08.jpg" width=923 height=583>
- [5] - Compression Nut
- [6] - Used on Air-cooled Models Only
- [7] - Inserts into Grommet
- [8] - Discontinued



# J0450

## J0450 - REFRIGERATION COMPARTMENT - AIR-COOLED COMPONENTS

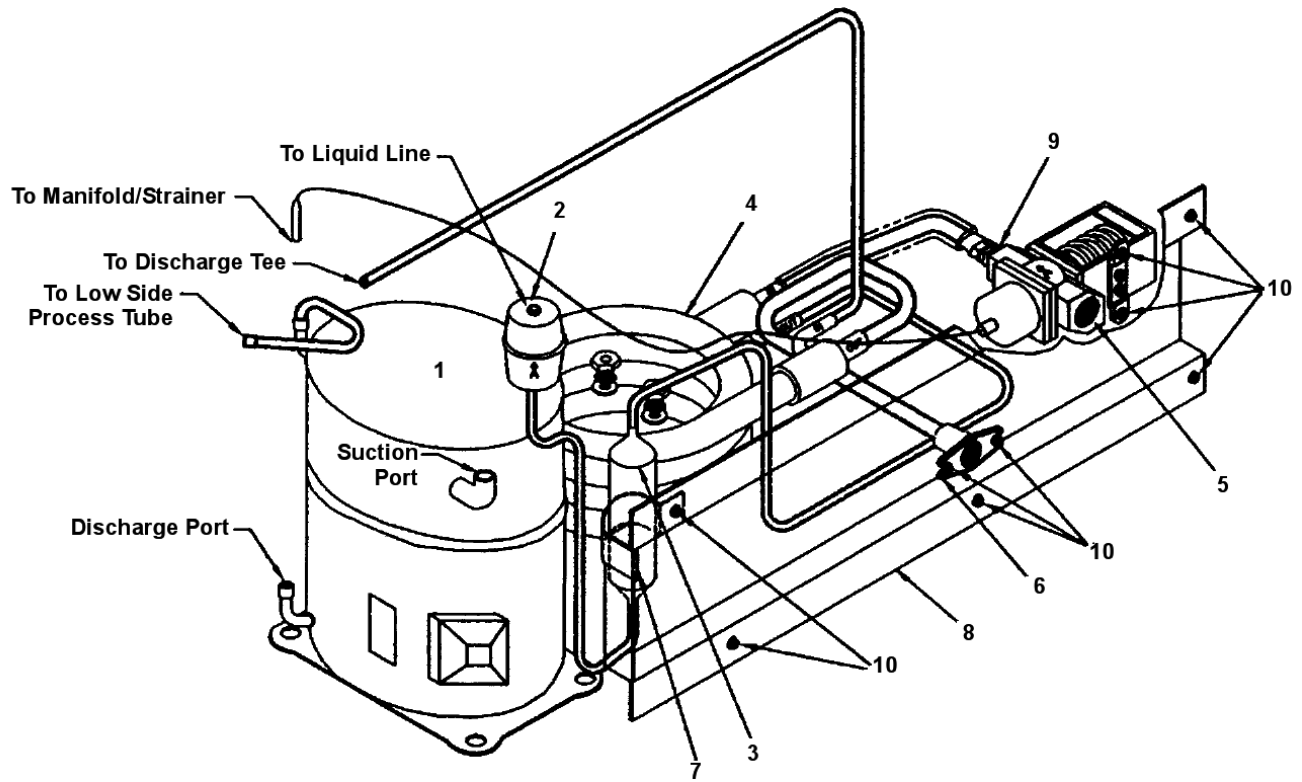
#	PART #	DESCRIPTION	QTY	Note
1		Compressor		[1]
2		Air Condenser		[2]
3		Fan Motor		
3a	2412929	Fan Motor 115V/60 Hz/1 Ph		
3b	2412939	Fan Motor 208-230V/50-60 Hz		
4	2416203	Fan Blade		
5	2001263	Fan Cycling Control - 200-250 psig		[3]
6	4040023	Air Filter		
7	8930259	Drier		
8	7626863	Air Filter Bracket Kit		
9		Fan Shroud		[2]
10	3406623	Fan Motor Bracket		
11	5033589	Mounting - Screw		
12	5545109	Lockwasher		
13	5573059	Mounting - Flatwasher		
14	5429559	Mounting - Rubber Wellnut		
15	5202069	Screw - #10-24 x 0.50" HEX		
16	5504269	Flatwasher #8		
17	5025599	Screw - #8-36 x 0.375"		

### PART NOTES:

- [1] - Refer to COMMON PARTS
- [2] - No Longer Available
- [3] - \pages from 200126\_09.jpg" width=150 height=306>

# J0450

## J0450 - REFRIGERATION COMPARTMENT - WATER-COOLED COMPONENTS



# J0450

## J0450 - REFRIGERATION COMPARTMENT - WATER-COOLED COMPONENTS

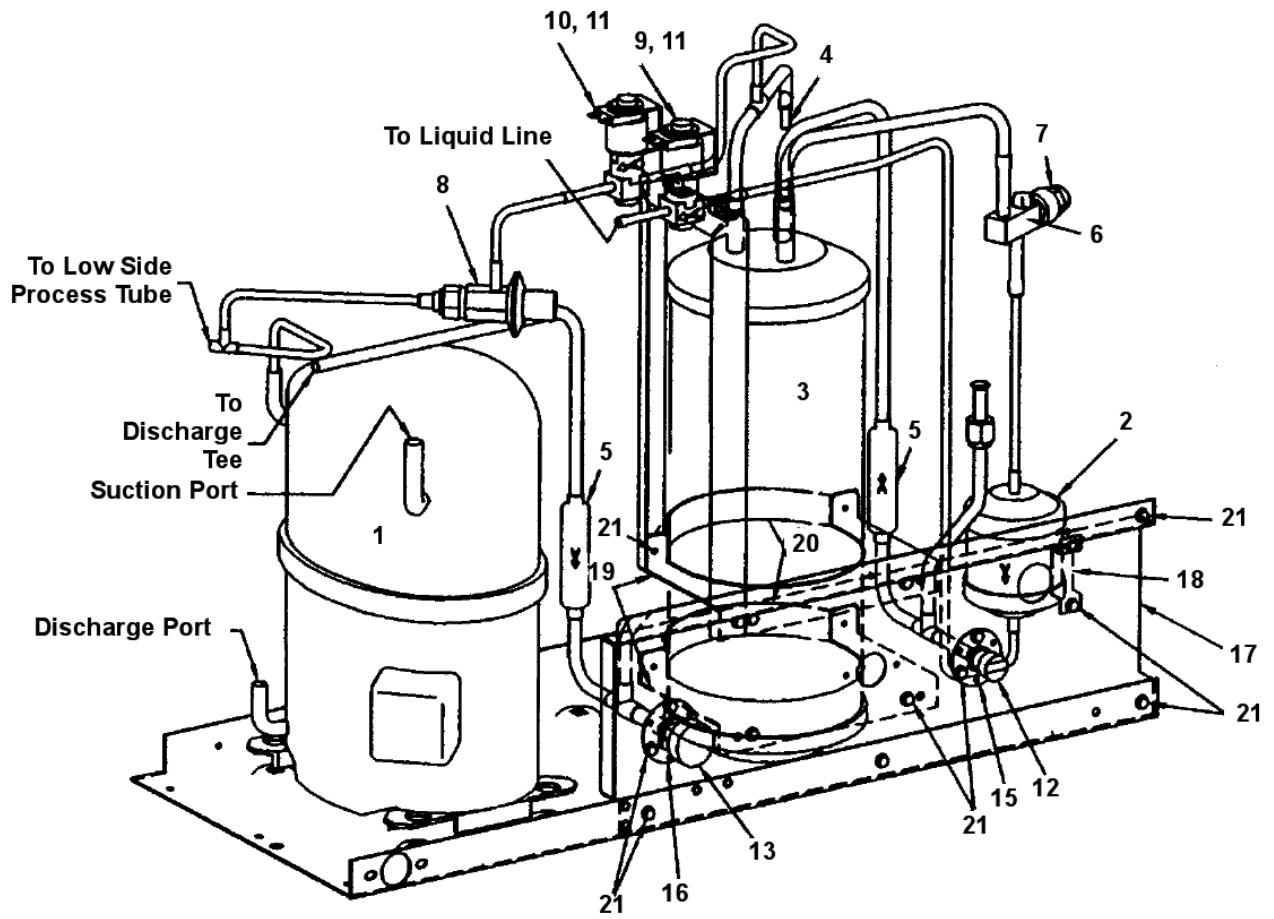
#	PART #	DESCRIPTION	QTY	Note
1		Compressor		[1]
2	8930259	Drier		
3	000008892	Receiver		
4	8865323	Water-Cooled Condenser		
5	8372069	Water Regulating Valve		
6		Water Drain Female Wing Adapter		[2]
7	6000541	Receiver Strap		
8		Back Panel		[2]
9	8332033	Water Coupling		
10	5202069	Screw - #10-24 x 0.50" HEX		

**PART NOTES:**

- [1] - Refer to COMMON PARTS
- [2] - No Longer Available

# J0450

## J0450 - REFRIGERATION COMPARTMENT - REMOTE COMPONENTS



# J0450

## J0450 - REFRIGERATION COMPARTMENT - REMOTE COMPONENTS

#	PART #	DESCRIPTION	QTY	Note
1		Compressor		[1]
2	8930249	Drier		
3	7629573	Receiver		
4		Safety Soft Plug		[2]
5	8373149	Magni-Check Valve - 0.375"		
6	8373169	Receiver Service Valve		
7	5650753	Caps for Refrigeration Service Valve		[3]
8	8367793	Harvest Pressure Regulating Valve		
9	7630021	Solenoid Valve 115V		
10	7630001	Solenoid Valve with Electrical Coil - 115V/60 Hz		
11	000005156	Danfoss Solenoid Valve Coil Only - 115V/60 Hz		[4]
11	2404363	Alco Solenoid Valve Coil Only - 115V/60 Hz		
12	8360343	Coupling - Male - 5/8-18		
13	8360353	Coupling - Male - 1-1/6-12		
14	K0129	Female Line Set Coupling Kit		
15	8360053	Coupling Mounting Flange for 5/8-18		
16	8360063	Coupling Mounting Flange for 1-1/16-12		
17		Back Panel		[2]
18	6017371	Drier Support Bracket		
19	6000561	Receiver Mounting Bracket		
20	6307214	Receiver Mounting Strap		
21	5202069	Screw - #10-24 x 0.50" HEX		

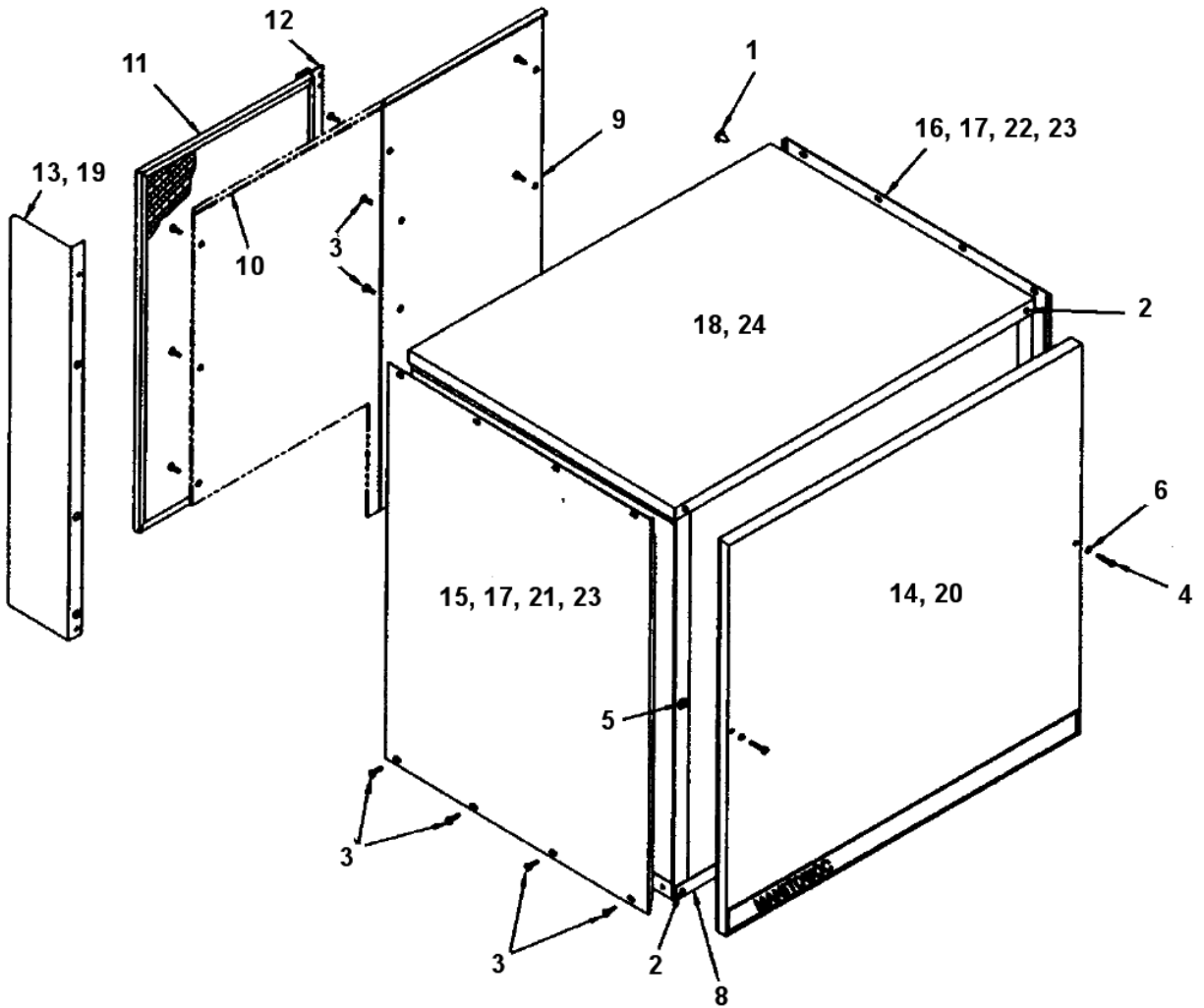
### PART NOTES:

- [1] - Refer to COMMON PARTS
- [2] - No Longer Available
- [3] - For Liquid Line Service Valve
- [4] - \pages from 000005156\_02.jpg" width=280 height=256>



# J0450

## J0450 - PANELS



# J0450

## J0450 - PANELS

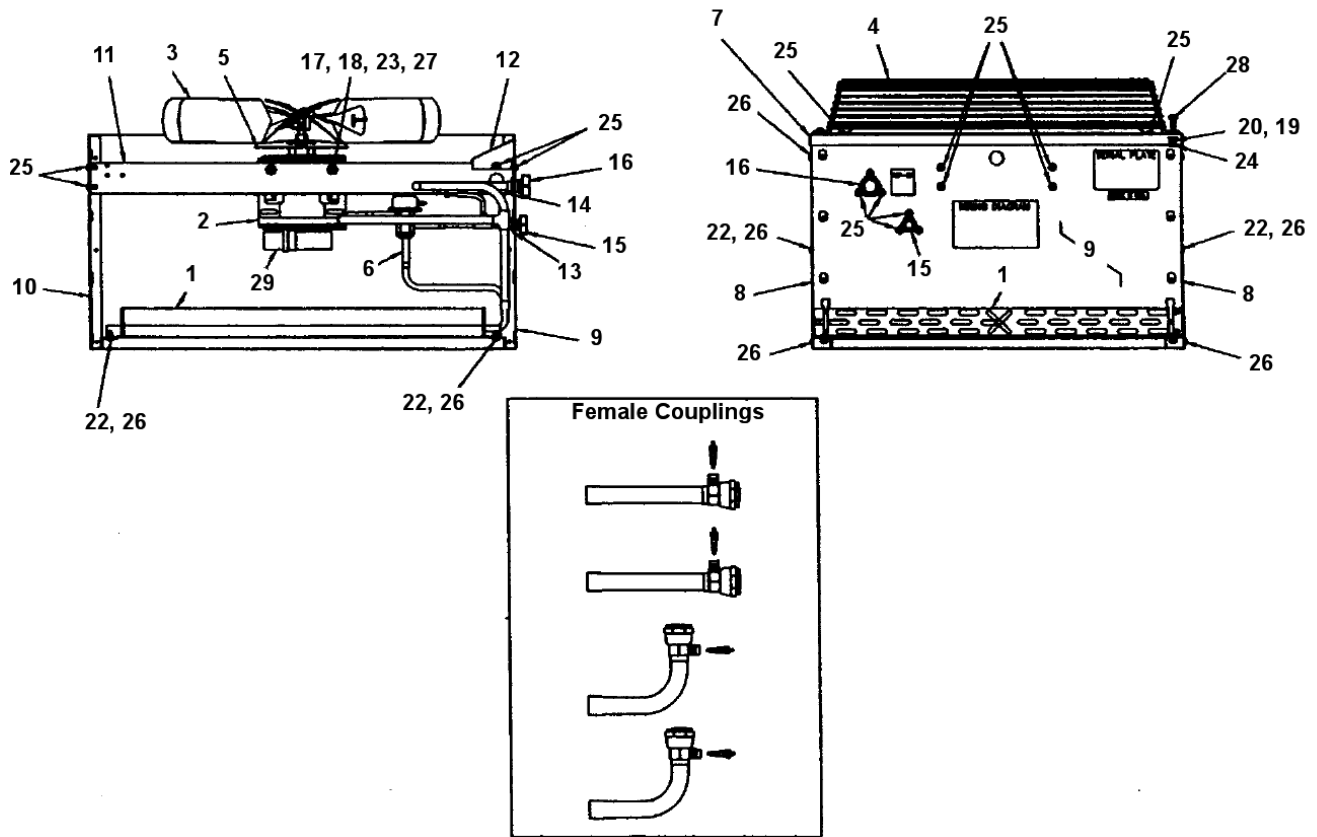
#	PART #	DESCRIPTION	QTY	Note
1		Canoe Clip Fastener		[1]
2	5202099	Screw - #10-24 x 0.50" PHIL		
3	5202069	Screw - #10-24 x 0.50" HEX		
4	5026689	Screw - 8-32 x 1.50"		
5	5429109	Cage Nut to Mount Front Panel		
6	3718199	O-ring		
7	9202509	Extruded Tape		
8	6580419	Front Top Support		
9		Back Panel, Air		[1]
10		Back Panel, Water or Remote		[1]
11	4040023	Air Filter		
12	7626863	Air Filter Bracket Kit FAWN		
13		Air Baffle		[1]
14		Front Panel Assembly		[1]
15		LH Side Panel, Air		[1]
16		RH Side Panel, Air		[1]
17		Side Panel, Water or Remote		[1]
18		Top Cover STAINLESS STEEL		[1]
19	6002203	Air Baffle		[2]
20	7625263	Front Panel Assembly		
21		LH Side Panel, Air		[1]
22		RH Side Panel, Air		[1]
23		Side Panel, Water or Remote		[1]
24		Top Cover		[1]

### PART NOTES:

- [1] - No Longer Available
- [2] - Discontinued

# J0450

## JC0495 REMOTE CONDENSER COMPONENTS



# J0450

## JC0495 REMOTE CONDENSER COMPONENTS

#	PART #	DESCRIPTION	QTY	Note
1	8850639	Air Condenser		
2	7629423	Fan Motor - 115V/60 Hz/1 Ph		
3	2416113	Fan Blade		
4	3400643	Fan Guard		
5	2415053	Rain Slinger		
6	000004070	Head Pressure Control Valve		
7	6017751	Top Cover		
8	6017741	Panel - Side		
9	6017731	Panel - Rear		
10	6017721	Panel - Front		
11	6017681	Fan Motor Mounting Bracket		
12	6017761	Electrical Box Cover		
13	8360053	Coupling Mounting Flange for 5/8-18		
14	8360063	Coupling Mounting Flange for 1-1/16-12		
15	8360343	Coupling - Male - 5/8-18		
16	8360353	Coupling - Male - 1-1/6-12		
17	5573139	Mounting - Lockwasher		
18	5573099	Mounting - Flatwasher		
19	5573049	Flatwasher		
20	5545119	Mounting - Lockwasher		
21	5544649	#10 Split Lockwasher		
22	5544599	Panel/Condenser Mounting Lockwasher		
23	5429759	Mounting - Hexnut		
24	5429529	Mounting - Hexnut		
25	5202069	Screw - #10-24 x 0.50" HEX		
26	5121539	Panel/Condenser Mounting Screw - #8 x 0.50"		
27	5035659	Fan Motor Mounting Screw		
28	5033459	Screw - 1/4-20 x 0.625"		
29		Fan Capacitor		[1]
30	K0129	Female Line Set Coupling Kit		

### PART NOTES:

[1] - No Longer Available