



## **Ice Machine Parts List for Series J0200 Models**

**JR0200A**

**JD0203W**

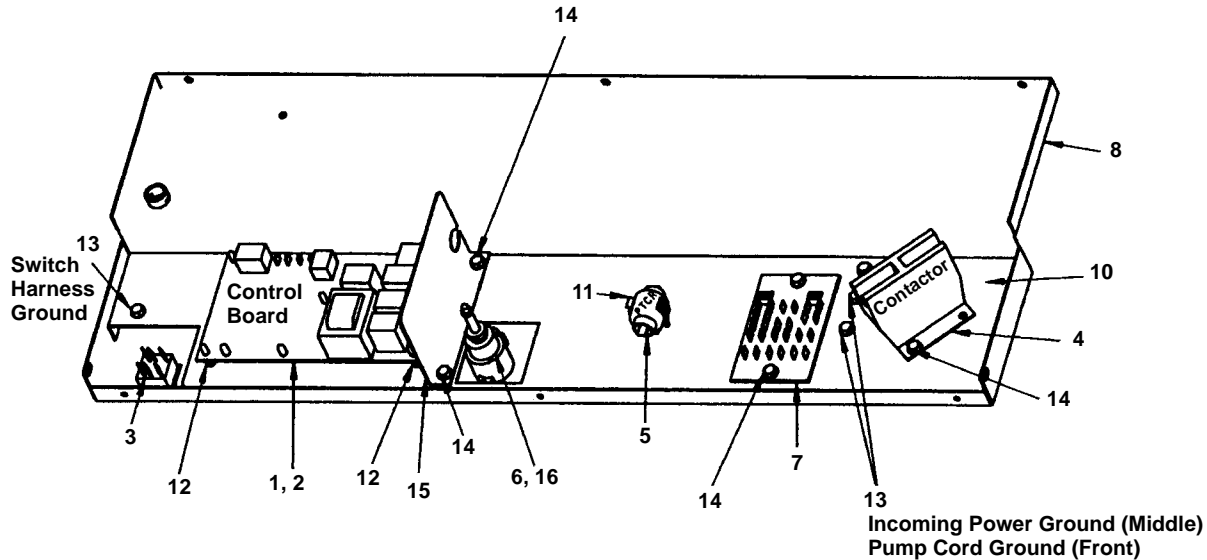
**JR0201W**

**JY0204A**

**JD0202A**

**JY0205W**

# J0200 CONTROL BOX



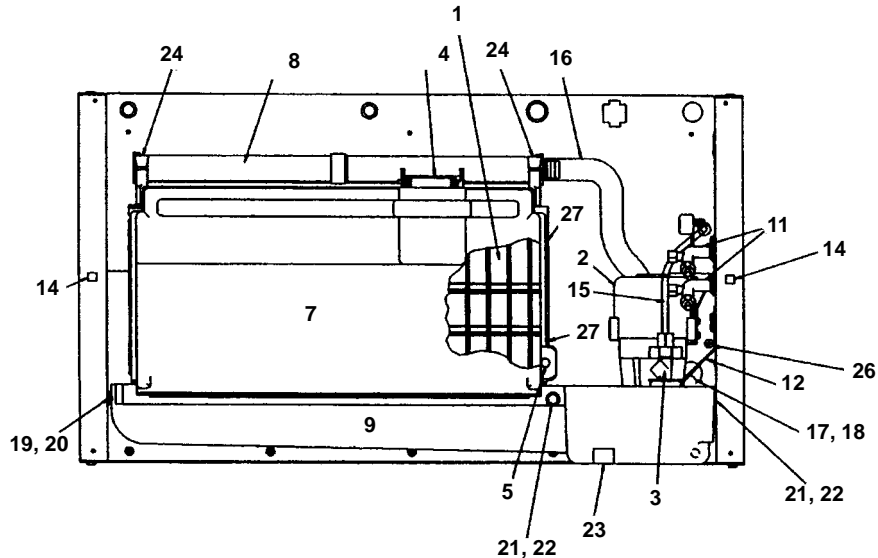
1371

## DESCRIPTION

DESCRIPTION	PART NO.
1 <b>Control Board</b> (For use with all voltages) .....	† 7627823
2 <b>Fuses – Mounted On Control Board</b>	
a. 7 Amp .....	2511003
b. 0.125 Amp 60 Hz Mini Fuse .....	† 2511169
c. 0.100 Amp 50 Hz Mini Fuse .....	2511053
3 <b>Toggle Switch</b> only .....	2301343
a. Toggle Switch with Wiring Harness Attached .....	2032173
4 <b>Contactor</b>	
a. 115V/60 Hz/1 Ph .....	† 2006589
b. 208-230V/60 Hz/1 Ph or 230V/50 Hz/1 Ph .....	2006599
5 <b>P.T.C.R. Compressor Starter</b> .....	8505003
6 <b>High Pressure Cut Out</b> .....	† 2355369
7 <b>Terminal Board with Wire Harness Attached</b>	
a. 60 Hz .....	2032153
b. 50 Hz .....	No Longer Available
<b>Miscellaneous – Brackets, Screws, etc.</b>	
8 Control Box .....	No Longer Available
9 Control Box Cover (Not shown) .....	No Longer Available
10 Control Box Panel .....	No Longer Available
11 P.T.C.R. Compressor Starter Mounting Bracket .....	8505023
12 Control Board Mounting Supports .....	4302253
13 Screw, #10-24 x 0.50 Ground .....	† 5202169
14 Screw, #10-24 x 0.50 Hex Head .....	† 5202069
15 Control Box Shield .....	6019671
16 Screw, #8 x 3/4" .....	† 5121669

† Refer to Cross Reference Guide

## J0200 EVAPORATOR COMPARTMENT



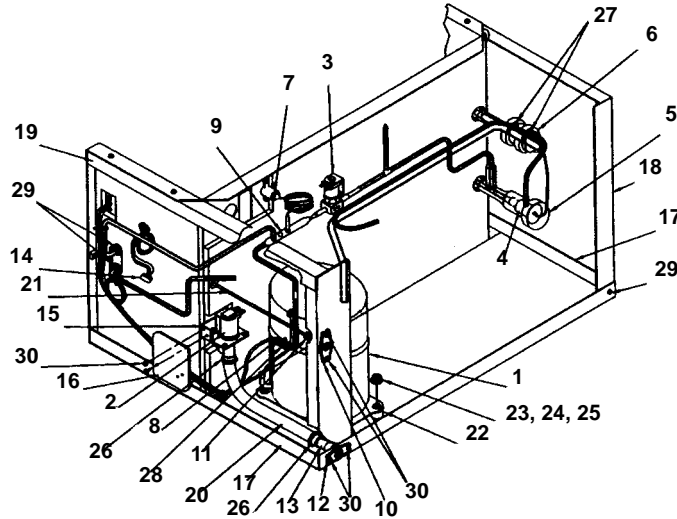
1372

### DESCRIPTION

	<b>PART NO.</b>
<b>1 Evaporator Assembly</b>	
a. Regular Cube . . . . .	† 7625859
b. Dice Cube . . . . .	† 7625849
c. Half Dice Cube . . . . .	† 7626589
d. Gasket And Top Molding Assembly . . . . .	7626213
<b>2 Water Pump</b>	
a. 115V/60 Hz . . . . .	† 7623063
b. 208-230V/60 Hz or 230V/50 Hz . . . . .	† 7626013
<b>3 Float Valve (Complete Assembly)</b>	† 8369049
a. Float Valve Screen . . . . .	† 8369069
b. Float Valve Plunger . . . . .	† 8369089
c. Float Valve Compression Nut . . . . .	† 5650729
<b>4 Ice Thickness Control</b>	† 7627813
<b>5 Magnetic Bin Switch (Mounted to Evaporator)</b>	† 2301483
<b>6 Water Flow Clamp (Use on Regular Cube Evap. Only)</b>	7620543
<b>7 Water Curtain</b>	4004783
a. Water Curtain Hanger . . . . .	7627763
b. Water Curtain Magnet And Clip . . . . .	† 7628023
<b>8 Water Distribution Tube</b>	† 7624983
<b>9 Water Trough</b>	† 7627483
<b>10 High Pressure Cut-out (Refrigeration System – Not shown)</b>	† 2355369
<b>11 Refrigeration Service Valve Assembly</b>	† 8373109
<b>Miscellaneous – Brackets, Screws, etc.</b>	
<b>12 Float Valve Mounting Bracket</b>	† 7621403
<b>13 Control Box Cover (Not shown)</b>	No Longer Available
<b>14 Cage Nut</b>	† 5429109
<b>15 Tubing, Vinyl 0.25 OD (Water Inlet)</b>	4420291
<b>16 Tubing, Vinyl (Water Pump Out)</b>	4420963
<b>17 Reducing Tee (Rubber)</b>	4300573
<b>18 Union Connector (White Nylon)</b>	8390053
<b>19 Water Trough Support Pin (Order Nylon Hex Nut Separately)</b>	† 4302019
<b>20 Water Trough Support Pin Nylon Hex Nut</b>	† 5429459
<b>21 Clip-in Receptacle (Female Side)</b>	5650853
<b>22 Clip-in Receptacle Wing Nut (Male Side)</b>	5650863
<b>23 Water Trough Support Clip</b>	† 7627043
<b>24 Screw, #8-32 x 0.63 Nylon-Water Distribution Tube Mounting</b>	† 5000013
<b>25 Screw, Used to Mount High Pressure Cut-out (Not shown)</b>	† 5121669
<b>26 Screw, #10-24 x 0.50</b>	† 5202069
<b>27 Screw, #10-24 x 0.750, Used to Mount Evaporator</b>	† 5202189

† Refer to Cross Reference Guide

## J0200 COMMON PARTS



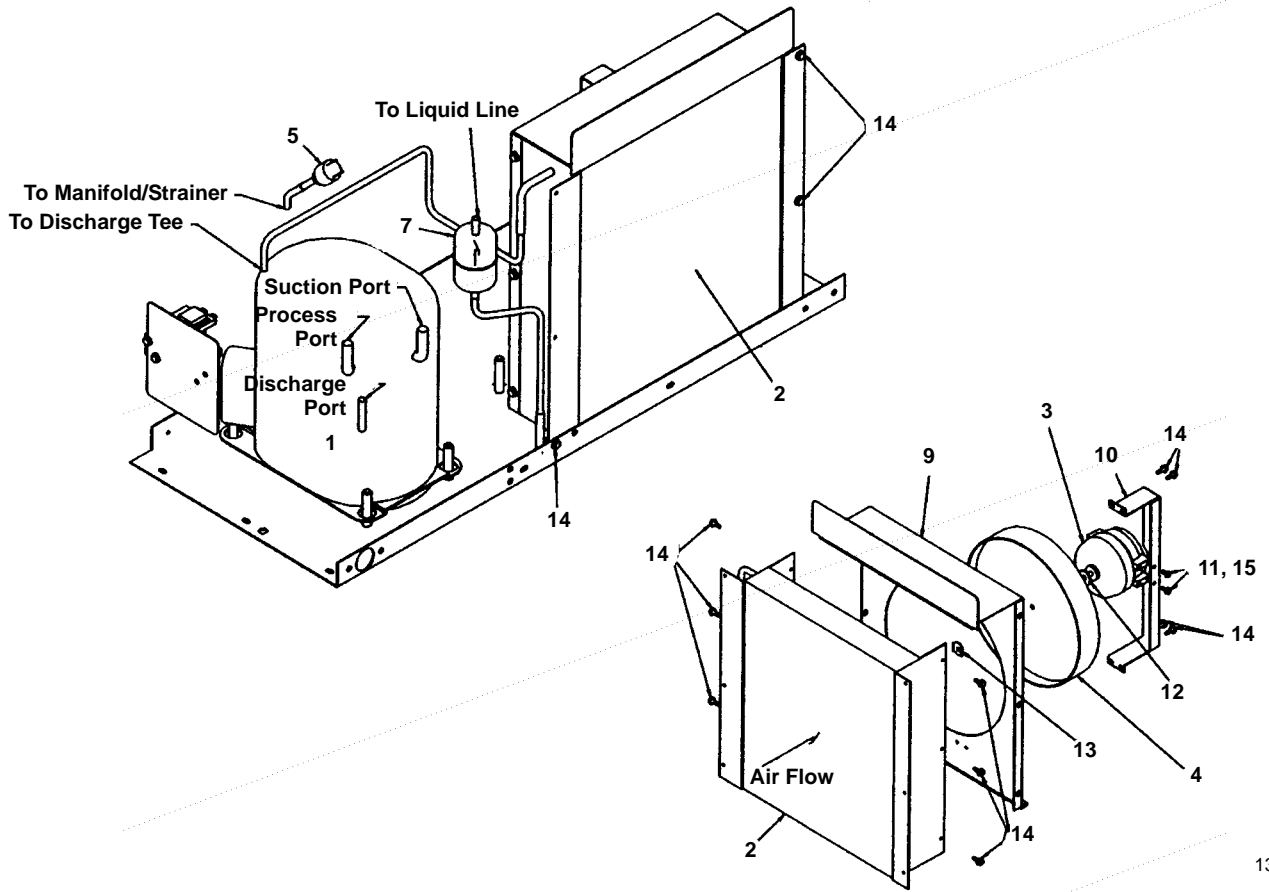
1373

### DESCRIPTION

	<b>DESCRIPTION</b>		<b>PART NO.</b>
1	<b>Compressor</b>		
	a. 115V/60 Hz/1 Ph .....	†	7627523
	b. Overload for Compressor 7627523 .....		8505413
	c. 208-230V/60 Hz/1 Ph .....	†	7627543
	d. Overload for Compressor 7627543 .....		8505423
	e. 230V/50 Hz/1 Ph .....	†	7627533
2	<b>Water Dump Valve</b>		
	a. Dump Valve Rebuild Kit .....		No Longer Available
	b. Dump Valve, 115V .....		000001767
	c. Dump Valve, 208-230V/50-60 Hz .....		000001768
3	<b>Hot Gas Valve</b>		
	a. Hot Gas Valve Including 115V Coil 60 Hz (Danfoss) .....	†	7630011
	b. Hot Gas Valve 115V Coil Only Danfoss .....		000005156
	c. Hot Gas Valve 115V Coil Only Alco .....		2404363
	d. Hot Gas Valve Including 208-230V/50-60 Hz Coil (Danfoss) .....	†	7630071
	e. Hot Gas Valve 208-230V/50-60 Hz Coil Only Danfoss .....		000005157
	f. Hot Gas Valve 208-230V/50-60 Hz Coil Only Alco .....	†	2404483
4	Expansion Valve .....	†	7625833
5	Expansion Valve Body Insulation Boot .....		4007213
6	Expansion Valve Bulb Insulation Boot .....		4007203
7	High Pressure Cut-out Control .....	†	2355369
8	Thermistor .....		2351163
9	Manifold Strainer .....		8310163
10	Water Inlet Female Wing Adapter .....	†	8706093
11	Water Inlet Union (Compression Nut) .....		1360961
12	Water Drain Female Wing Adapter .....		1706021
13	Water Drain Copper Tube Insert .....		110481
14	Water Pump Electrical Wire Lead .....	†	2078103
	<b>Miscellaneous – Brackets, Screws etc.</b>		
15	Dump Valve Mounting Bracket .....		6260314
16	Dump Valve Shield (Used on Air-cooled Models Only) .....	†	7000623
17	Base Angle .....		No Longer Available
18	Left Corner Post Weldment .....		No Longer Available
19	Right Corner Post Weldment .....		No Longer Available
20	Water Drain Vinyl Tubing, 0.625 ID. ....	†	4420383
21	Water Inlet Vinyl Tubing, 0.25 ID .....		4420293
22	Compressor Mounting Rubber Grommet .....	†	8503069
23	Compressor Mounting Sleeve (Inserts into Grommet) .....	†	8503949
24	Compressor Mounting Nut .....	†	5430029
25	Compressor Mounting Washer .....	†	5573099
26	Clamp, Water Drain .....	†	5650709
27	Clamp, Expansion Valve Bulb .....	†	5650529
28	Clamp, Thermistor .....		5650773
29	Locknut, Used to Fasten Refrigerant Service Valves .....	†	5475039
30	Screw, #10-24 x 0.50 .....	†	5202069

† Refer to Cross Reference Guide

# J0200 AIR-COOLED



1374

## DESCRIPTION

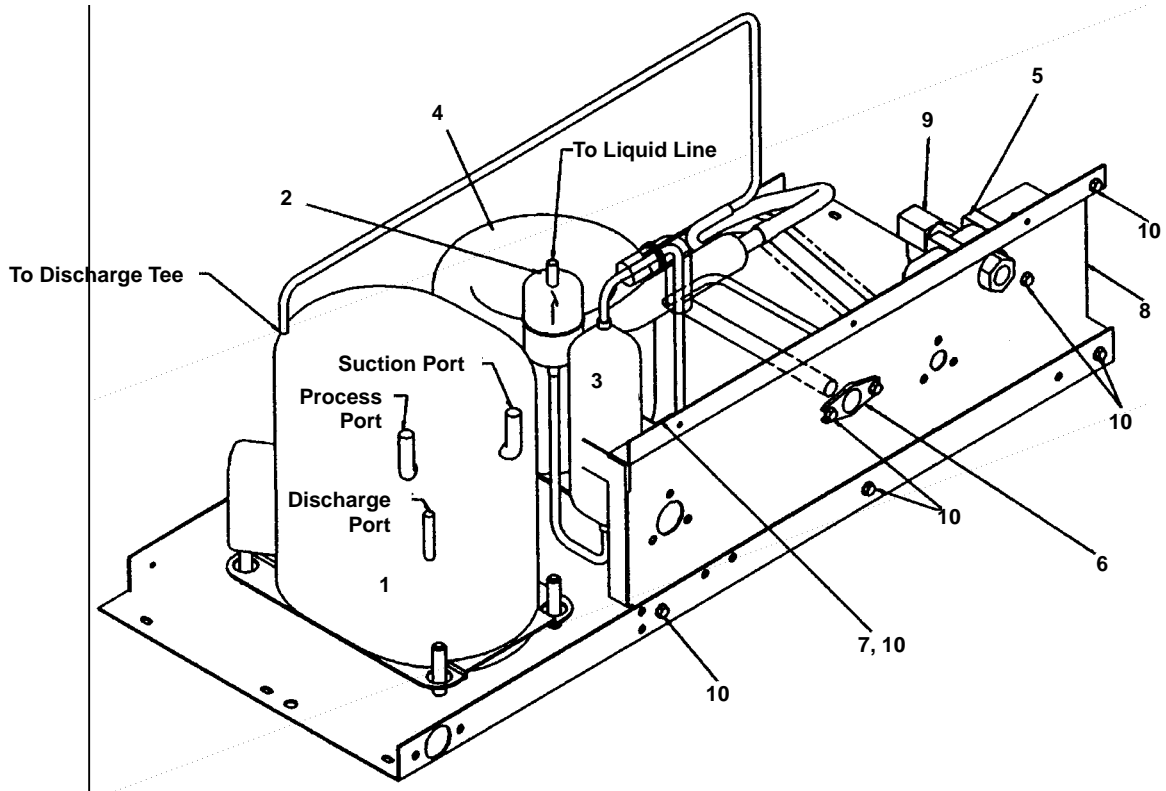
	<b>PART NO.</b>
1 Compressor (Refer to COMMON PARTS) .....	Page 4
2 Air Condenser .....	8850853
<b>3 Fan Motor</b>	
a. 115V .....	† 2412873
b. 208-230V/60 Hz or 230V/50 Hz .....	† 2412883
4 Fan Blade .....	2416243
5 Fan Cycling Control .....	† 2001263
6 Air Filter (Not shown) .....	4040123
7 Drier .....	† 8930259

## Miscellaneous – Brackets, Screws, etc.

8 Air Filter Bracket (Not shown) .....	† 7626863
9 Fan Shroud .....	No Longer Available
10 Fan Motor Mounting Bracket .....	No Longer Available
11 Screw, #8-36 x 7/16 .....	† 5025599
12 Fiber Washer .....	No Longer Available
13 Speed Nut .....	† 5475079
14 Screw, #10-24 x 0.50 .....	† 5202069
15 Flatwasher .....	† 5504269

† Refer to Cross Reference Guide

# J0200 WATER-COOLED



1375

## DESCRIPTION

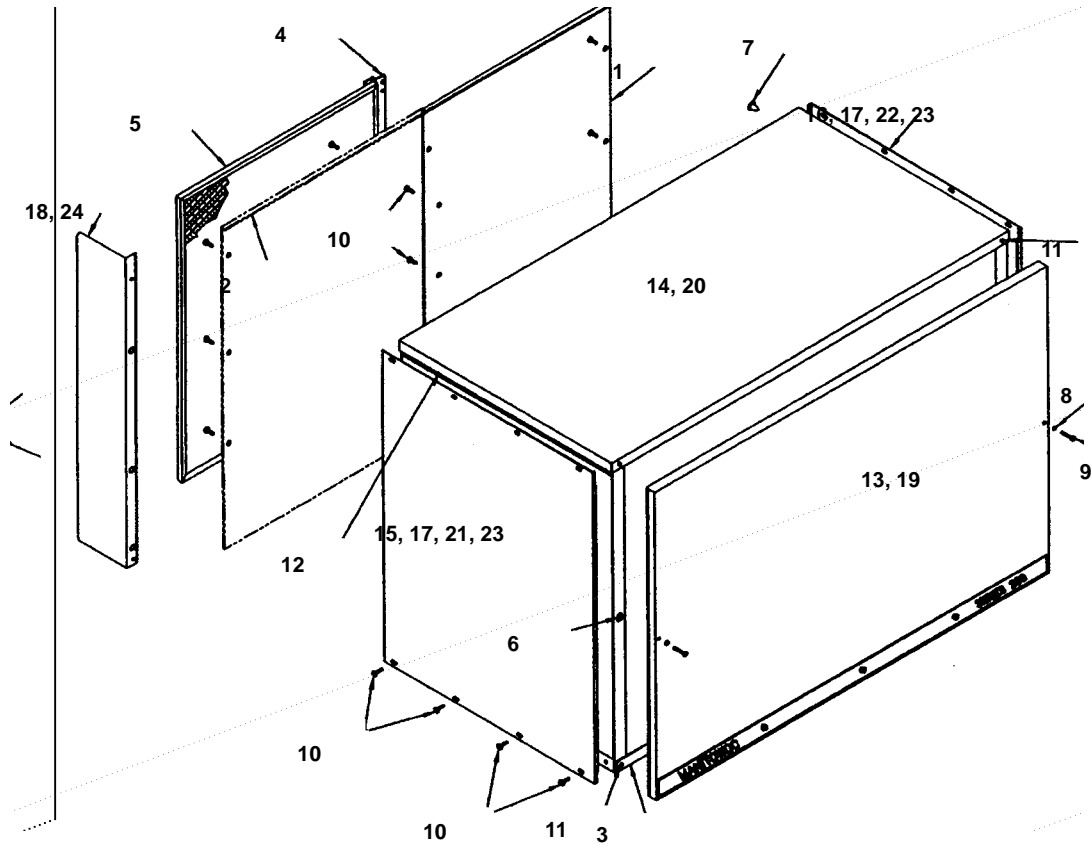
DESCRIPTION	PART NO.
1 Compressor (Refer to COMMON PARTS) . . . . .	Page 4
2 Drier . . . . .	† 8930259
3 Receiver . . . . .	000008892
4 Water-cooled Condenser . . . . .	† 8865313
5 Water Regulating Valve . . . . .	† 8372069
6 Water Drain Female Wing Adapter . . . . .	No Longer Available

## Miscellaneous – Brackets, Screws, etc.

7 Receiver Strap . . . . .	6000541
8 Back Panel . . . . .	No Longer Available
9 Water Coupling . . . . .	8305063
10 Screw, #10-24 x 0.50 . . . . .	† 5202069

† Refer to Cross Reference Guide

## J0200 PANELS



1376

### COMMON

	<b>PART NO.</b>
1 Back Panel, Air-cooled . . . . .	No Longer Available
2 Back Panel, Water-cooled . . . . .	No Longer Available
3 Front Panel Support . . . . .	† 6580419
4 Bracket for Air Filter . . . . .	† 7626863
5 Air Filter . . . . .	4040123
6 Cage Nut #8-32 . . . . .	† 5429109
7 Accordion Panel Clip . . . . .	No Longer Available
8 "O" Ring . . . . .	† 3718199
a. Washer . . . . .	5573383
9 Screw, #8-32 x 1.50 . . . . .	† 5026689
10 Screw, #10-24 x 1/2 . . . . .	† 5202069
11 Screw, #10-24 x 1/2 . . . . .	† 5202099
12 Extruded Tape . . . . .	† 9202509

### FAWN

13 Front Panel Assembly . . . . .	No Longer Available
14 Top Cover . . . . .	No Longer Available
15 LH Side Panel, Air-cooled . . . . .	No Longer Available
16 RH Side Panel, Air-cooled . . . . .	No Longer Available
17 RHLH Panel, Water-cooled . . . . .	No Longer Available
18 Air Baffle . . . . .	No Longer Available

### STAINLESS STEEL

19 Front Panel Assembly . . . . .	No Longer Available
20 Top Cover . . . . .	No Longer Available
21 Side Panel LH, Air-cooled . . . . .	6009372
22 RH Side Panel, Air-cooled . . . . .	No Longer Available
23 RH & LH Side Panel, Water-cooled . . . . .	No Longer Available
24 Air Baffle . . . . .	6009612

† Refer to Cross Reference Guide

**INTENTIONALLY LEFT BLANK**