



## **Ice Machine Parts List for Series J0250 Models**

**JR0250A**

**JD0253W**

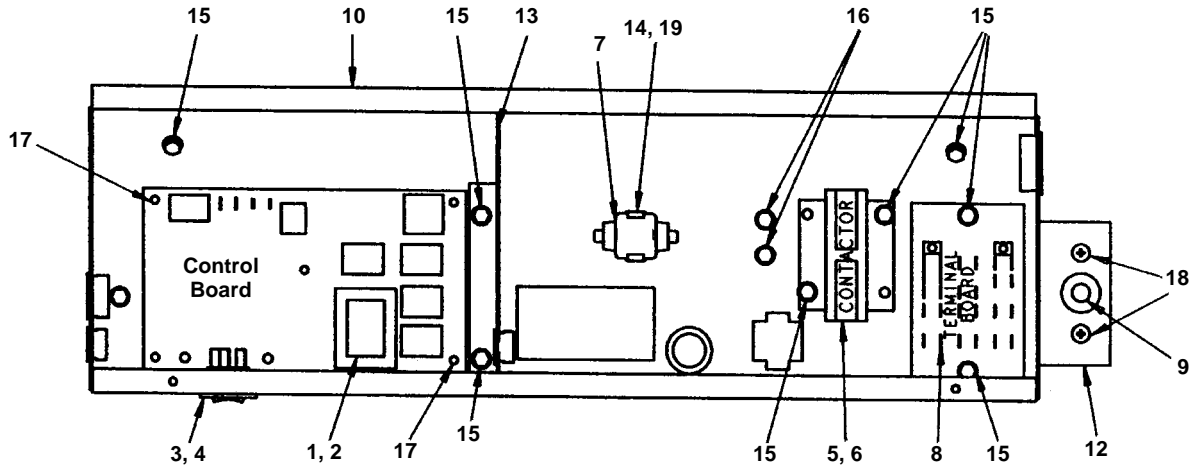
**JR0251W**

**JY0254A**

**JD0252A**

**JY0255W**

## J0250 CONTROL BOX



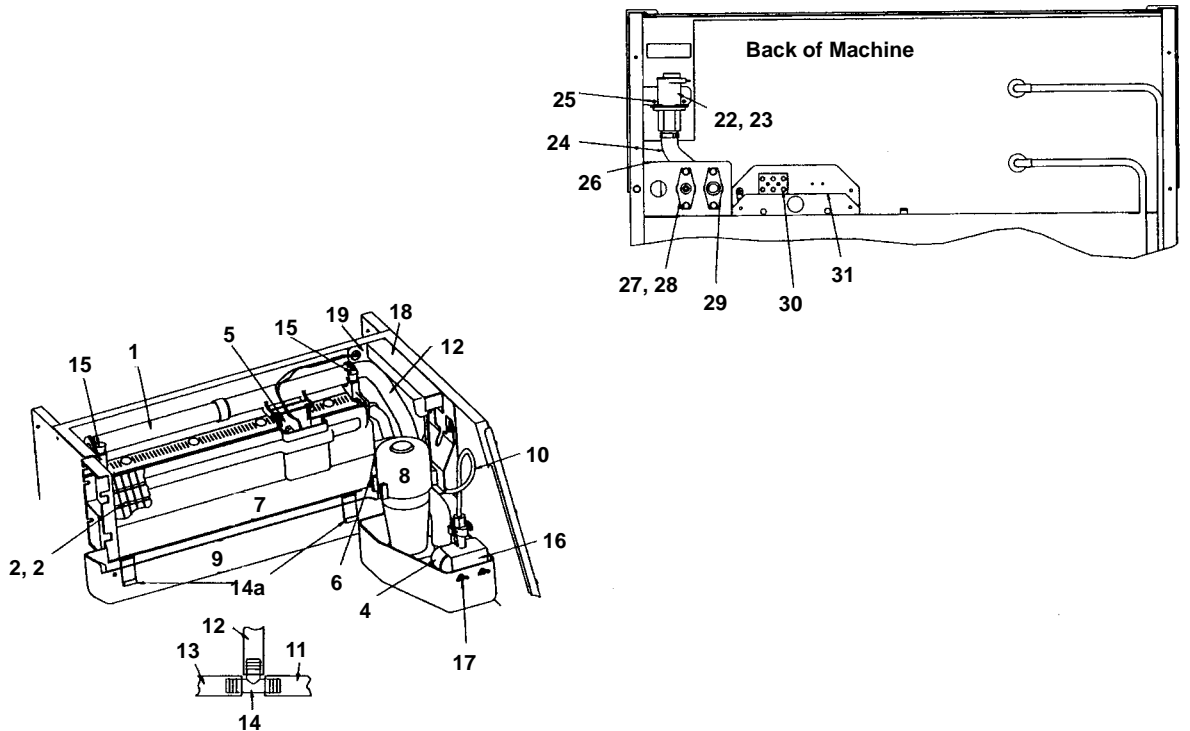
1381

### DESCRIPTION

	<b>DESCRIPTION</b>	<b>PART NO.</b>
1	<b>Control Board</b> (For use with all voltages) . . . . .	† 7627823
2	<b>Fuses mounted On Control Board</b> (If Applicable)	
a.	7 Amp . . . . .	2511003
b.	0.125 Amp 60 Hz Mini Fuse . . . . .	† 2511169
c.	0.1 Amp 50 Hz Mini Fuse . . . . .	2511053
3	Switch (Ice/Off/Clean) with Harness . . . . .	2032173
4	Switch Only (Ice/Off/Clean) . . . . .	2301343
5	Contactor for 115V Units . . . . .	† 2006589
6	Contactor for 230V Units . . . . .	† 2006599
7	P.T.C.R. Motor Starter . . . . .	8505003
8	Terminal Board With Wiring Harness, 60 Hz . . . . .	No Longer Available
9	High Pressure Cut-out . . . . .	† 2355369
10	Control Box . . . . .	No Longer Available
11	Control Box Cover (Not shown) . . . . .	No Longer Available
12	Bracket for High Pressure Control . . . . .	No Longer Available
13	Control Box Shield . . . . .	No Longer Available
14	Bracket for P.T.C.R. . . . .	8505023
15	Screw, #10-24 x 0.50 . . . . .	† 5202069
16	Screw, #10-24 x 0.50, Ground . . . . .	† 5202169
17	Support for Control Board . . . . .	4302253
18	Screw, #8 x 3/4 . . . . .	† 5121669
19	Screw, #6-32 x 3/8 . . . . .	† 5121679

† Refer to Cross Reference Guide

# J0250 EVAPORATOR COMPARTMENT

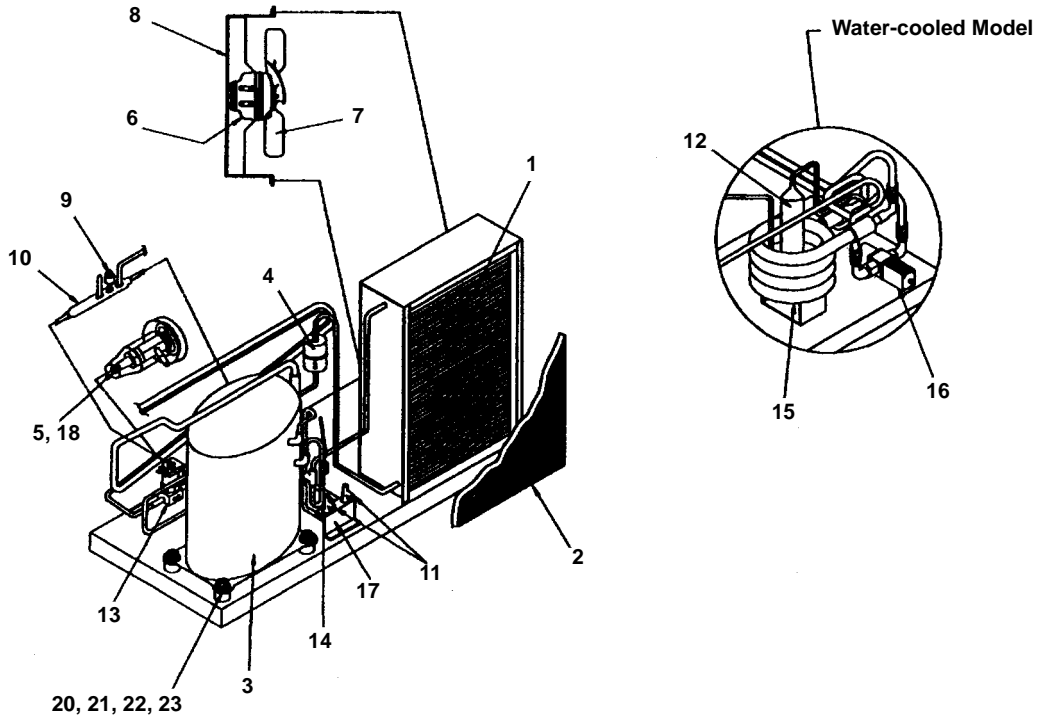


1382

## DESCRIPTION

	DESCRIPTION	PART NO.
1	Distribution Tube Assembly	† 7624983
2	Evaporator, Regular Cube	† 7625859
2	Evaporator, Dice Cube	† 7625849
2	Evaporator, 1/2 Dice Cube	† 7626589
3	Evaporator Gasket/Top Molding Assembly	7626213
4	Float Valve Assembly	† 8369049
5	Ice Thickness Control	† 7627813
6	Magnetic Bin Switch	† 2301483
7	Water Curtain	4004783
	a. Water Curtain Hanger	7627763
	b. Water Curtain Magnet and Clip	† 7628023
8	Water Pump, 115V	† 7623063
8	Water Pump, 230V	† 7626013
9	Water Trough	No Longer Available
10	Water Inlet Tubing	4420291
11	Vinyl Tube to Dump Valve	† 4420383
12	Molded Discharge Tube	4420963
13	Molded Reducer Elbow	† 4421013
14	Barbed Tee	8391033
14a	Water Trough Bracket	No Longer Available
15	Thumbscrew	† 5000013
16	Bracket for Float Valve	000000136
17	Wing Nuts	† 5489139
18	Channel, Pump Cord	No Longer Available
19	Shield, Liner	No Longer Available
20	Female Water Pump Lead (Not shown)	No Longer Available
21	Dump Valve Rebuild Kit	No Longer Available
22	Dump Valve Solenoid, 115V	000001767
23	Dump Valve Solenoid, 230V	000001768
24	Vinyl Tube, Molded	No Longer Available
25	Bracket For Dump Valve	6260314
26	Bracket For Water Fittings	No Longer Available
27	Adapter, Water Inlet, Brass	† 8706093
28	Water Inlet Union, White Plastic	1360961
29	Adapter, Water Outlet, Brass	1706021
30	Terminal Block, 230V	No Longer Available
31	Bracket For Terminal Block	No Longer Available
32	Water Curtain Hanger And Retainer	7627763

# J0250 COMPRESSOR COMPARTMENT



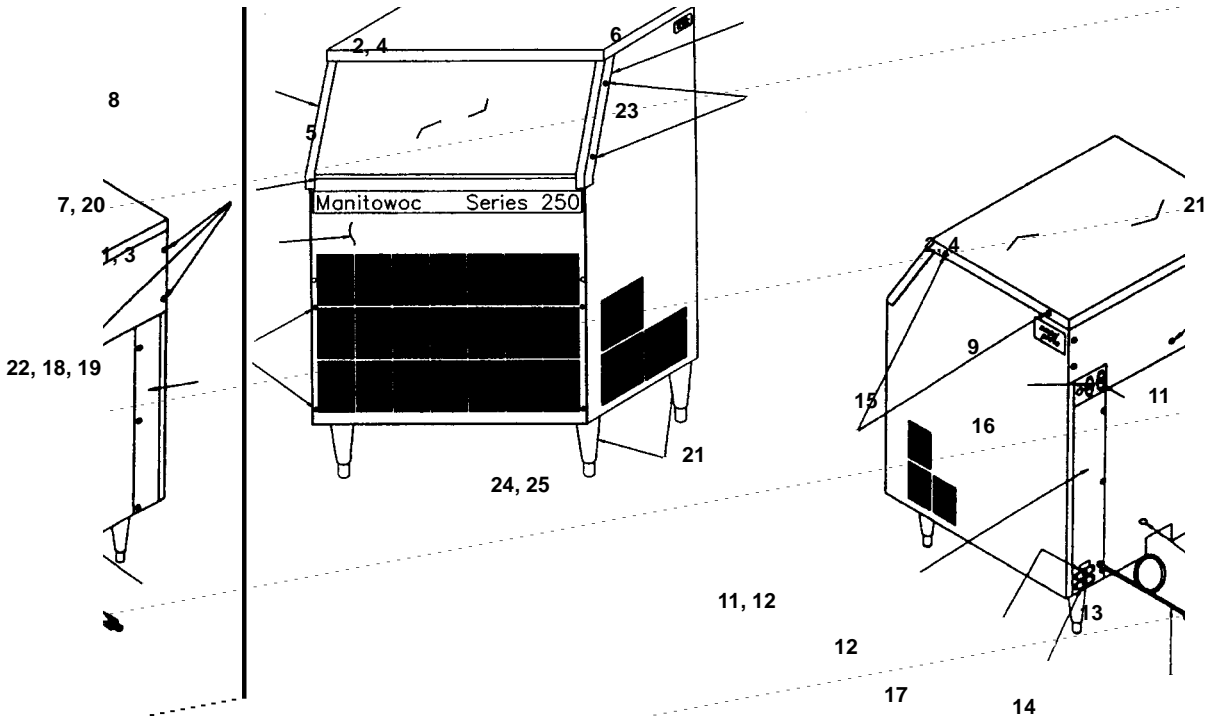
1383

## DESCRIPTION

	PART NO.
1 Air Condenser . . . . .	No Longer Available
2 Air Filter, EZK . . . . .	4040103
3 Compressor, 115V/60 Hz . . . . .	† 7627523
a. Overload for Compressor 7627523 . . . . .	8505413
3 Compressor, 230V/50 Hz . . . . .	† 7627533
3 Compressor, 230V/60 Hz . . . . .	† 7627543
b. Overload for Compressor 7627543 . . . . .	8505423
4 Drier . . . . .	† 8930259
5 Expansion Valve . . . . .	† 7625833
6 Fan Motor, 115V . . . . .	† 2412813
6 Fan Motor, 230V . . . . .	† 2412823
7 Fan Blade . . . . .	2416223
8 Fan Motor Bracket . . . . .	6887814
9 Fan Cycling Control . . . . .	† 2001263
10 Manifold Strainer . . . . .	8310163
11 Process Valve . . . . .	† 8373109
12 Receiver . . . . .	000008892
13 Hot Gas Solenoid Valve, 115V/60 Hz (Danfoss) . . . . .	† 7630011
13 Hot Gas Solenoid Valve, 208-230V/50-60 Hz (Danfoss) . . . . .	† 7630071
14 Thermistor . . . . .	2351163
15 Water Condenser . . . . .	† 8865313
16 Water Regulating Valve . . . . .	8372103
17 Bracket for Valve Mounting . . . . .	No Longer Available
18 Neoprene TXV Boot . . . . .	4007213
19 Neoprene Bulb Boot (Not shown) . . . . .	4007203
20 Rubber Grommet . . . . .	† 8503069
21 Sleeve . . . . .	† 8503949
22 Flatwasher . . . . .	† 5573099
23 Hex Nut . . . . .	† 5430029

† Refer to Cross Reference Guide

## J0250 PANELS



1384

### FAWN

		PART NO.
1	Front Panel Assembly	No Longer Available
2	Top Cover	No Longer Available

### STAINLESS STEEL

3	Front Panel Assembly	7625823
4	Top Cover	No Longer Available

### COMMON

5	Bin Door	4500103
6	RH Door Glide	4302553
7	Trim, Door Opening	No Longer Available
8	LH Door Glide	4302543
9	Top Back Panel, 115V	No Longer Available
10	Back Panel, 230V	6003881
11	Cover, Channel	No Longer Available
12	Cover, Water Fittings	No Longer Available
13	Bin Drain Seal	7623223
14	Power Cord	2030673
15	Water Inlet Adapter	† 8706093
16	Water Outlet Adapter	1706021
17	Water Condenser Adapter	8706103
18	Screw, #8-32 x 1/2 Phil	† 5026249
19	Cagenut for Front Panel Screw	† 5429109
20	Screw, #8-15 x 0.50	No Longer Available
21	Screw, #10-24 x 1/2	† 5202069
22	Washer, Flat Nylon	† 5573389
23	Screw, #10-24 x 0.50	† 5202099
24	Legs – for Fawn Machine	3302494
25	Legs – Stainless Steel Machine	3302513

† Refer to Cross Reference Guide

**INTENTIONALLY LEFT BLANK**