



## **Ice Machine Parts List for Series J0320 Models**

**JR0320A**

**JD0323W**

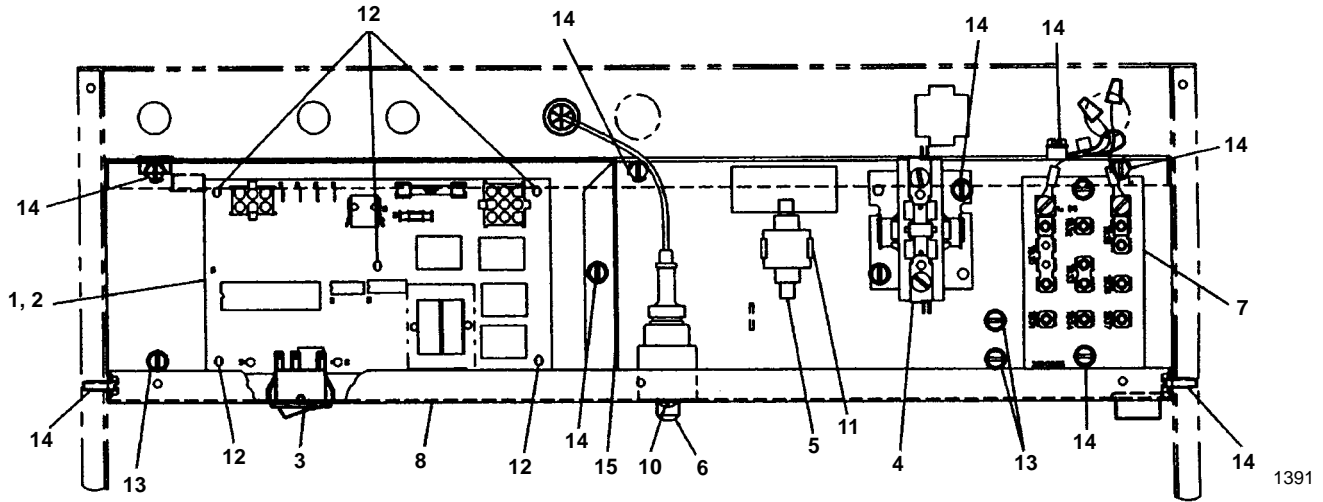
**JR0321W**

**JY0324A**

**JD0322A**

**JY0325W**

# J0320 CONTROL BOX



## DESCRIPTION

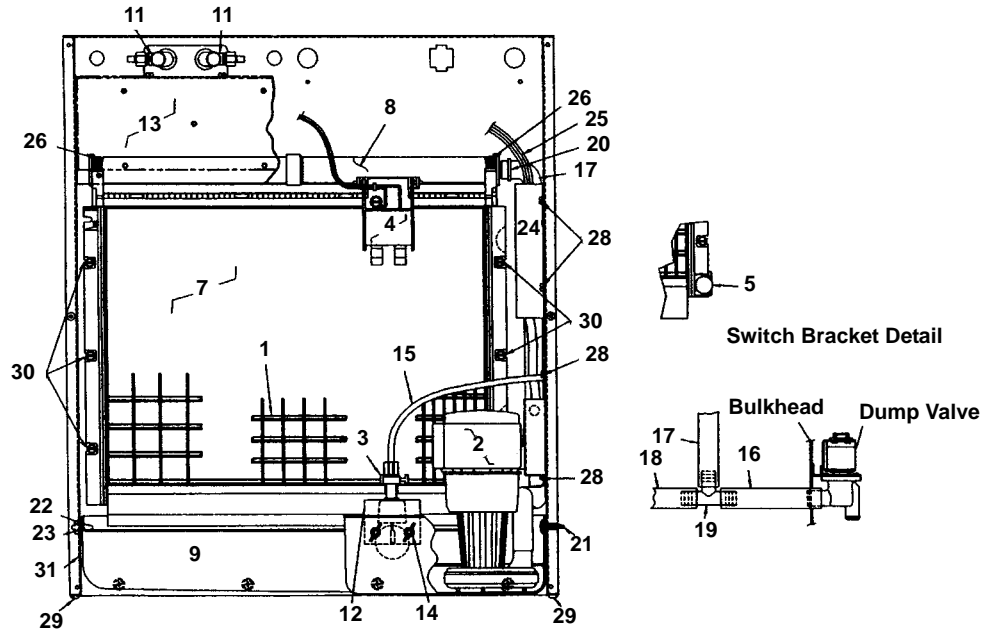
		PART NO.
1	<b>Control Board</b> (For use with all voltages) .....	† 7627823
2	<b>Fuses – Mounted On Control Board</b>	
	a. 7 Amp .....	2511003
	b. 0.125 Amp 60 Hz Mini Fuse .....	† 2511169
	c. 0.100 Amp 50 Hz Mini Fuse .....	2511053
3	<b>Toggle Switch</b> only .....	2301343
	a. Toggle Switch With Wiring Harness Attached .....	2032173
4	<b>Contactor</b>	
	a. 115V/60 Hz/1 Ph .....	† 2006589
	b. 208-230V/60 Hz/1 Ph or 230V/50 Hz/1 Ph .....	† 2006599
5	<b>P.T.C.R. Compressor Starter</b> .....	8505003
6	<b>High Pressure Cut-out</b> .....	† 2355369
7	<b>Terminal Board With Wire Harness Attached</b>	
	a. 60 Hz .....	2032133
	b. 50 Hz .....	No Longer Available

## Miscellaneous – Brackets, Screws, etc.

8	Control Box .....	No Longer Available
9	Control Box Cover (Not shown) .....	No Longer Available
10	Screw, #8 x 0.75 Serrated .....	† 5121669
11	P.T.C.R. Compressor Starter Mounting Bracket .....	8505023
12	Control Board Mounting Supports .....	4302253
13	Screw, #10-24 x 0.50 Ground .....	† 5202169
14	Screw, #10-24 x 0.50 Hex Head .....	† 5202069
15	Control Board Cover .....	No Longer Available

† Refer to Cross Reference Guide

# J0320 EVAPORATOR COMPARTMENT



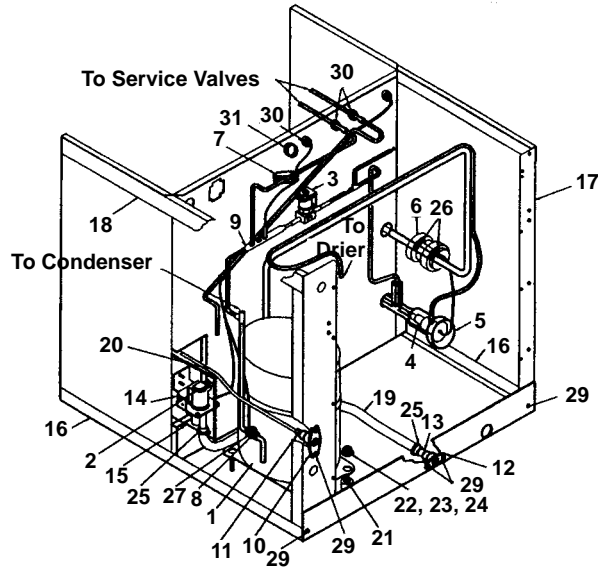
1392

## DESCRIPTION

	<b>PART NO.</b>
<b>1 Evaporator Assembly</b>	
a. Regular Cube . . . . .	† 7625209
b. Dice Cube . . . . .	† 7625199
c. Half Dice Cube . . . . .	† 7625189
d. Gasket/Top Molding Assembly . . . . .	7626213
<b>2 Water Pump</b>	
a. 115V/60 Hz . . . . .	† 7623063
b. 208-230V/60 Hz or 230V/50 Hz . . . . .	† 7626013
<b>3 Float Valve (Complete Assembly)</b>	
a. Float Valve Screen . . . . .	† 8369049
b. Float Valve Plunger . . . . .	† 8369069
c. Float Valve Compression Nut . . . . .	† 8369089
<b>4 Ice Thickness Control</b>	† 5650729
<b>5 Magnetic Bin Switch (Mounted to Evaporator)</b>	† 7627813
<b>6 Water Flow Clamp (Use on Regular Cube Evap. Only – Not shown)</b>	† 2301483
<b>7 Water Curtain</b>	7620543
a. Water Curtain Hanger . . . . .	† 4004773
b. Water Curtain Magnet and Clip . . . . .	7627763
<b>8 Water Distribution Tube</b>	† 7628023
<b>9 Water Trough</b>	† 7624983
<b>10 High Pressure Cut-out (Refrigeration System – Not shown)</b>	6002451
<b>11 Refrigeration Service Valve Assembly</b>	† 2355369
<b>Miscellaneous – Brackets, Screws, etc.</b>	† 8373109
<b>12 Float Valve Mounting Bracket</b>	00000136
<b>13 Control Box Cover</b>	No Longer Available
<b>14 Wing Nut, #8-32</b>	† 5489139
<b>15 Tubing, Vinyl 0.25 OD (Water Inlet)</b>	4420291
<b>16 Tubing, Vinyl 0.625 ID (Tee to Dump Valve)</b>	† 4420383
<b>17 Tubing, Vinyl 0.625 ID (Tee to Distribution Tube)</b>	† 4421023
<b>18 Tubing, Vinyl 0.625 ID (Pump to Tee)</b>	† 4421013
<b>19 Barbed Tee</b>	8391033
<b>20 Hose Clamp</b>	† 5650709
<b>21 Thumbscrew – Push-in</b>	† 5012279
<b>22 Water Trough Support Pin (Order Nylon Hex Nut Separately)</b>	† 4302019
<b>23 Water Trough Support Pin Nylon Hex Nut</b>	† 5429459
<b>24 Water Pump Cord Channel</b>	No Longer Available
<b>25 Water Pump Electrical Wire Lead</b>	† 2078103
<b>26 Screw, #8-32 x 0.63 Nylon-Water Distribution Tube Mounting</b>	† 5000013
<b>27 Screw Used to Mount High Pressure Cut-out (Not shown)</b>	† 5121669
<b>28 Screw, #10-24 x 0.50</b>	† 5202069
<b>29 Pop Rivet SS</b>	No Longer Available
<b>30 Screw, #10-24 x 0.750, Used to Mount Evaporator</b>	† 5202189
<b>31 Splash Shield</b>	No Longer Available

† Refer to Cross Reference Guide

## J0320 COMMON PARTS



1393

### DESCRIPTION

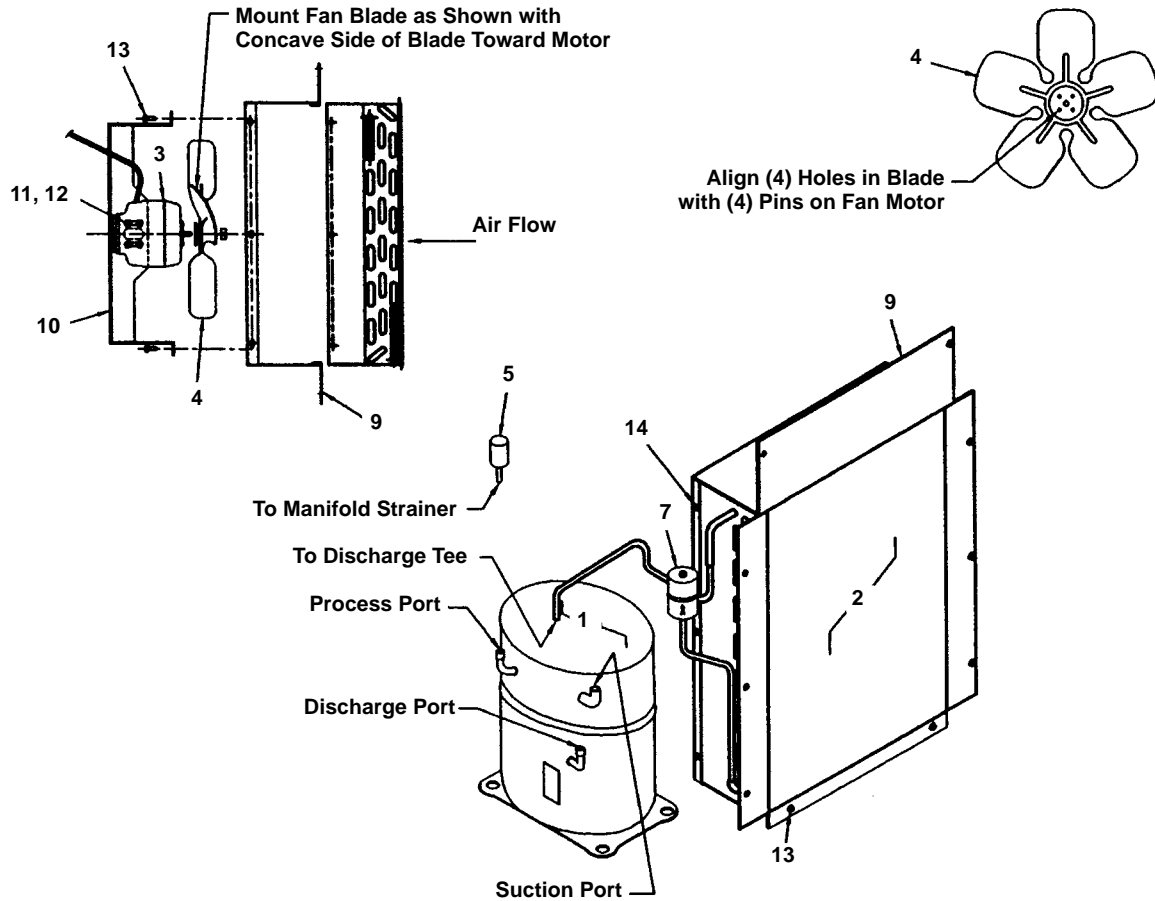
	DESCRIPTION	PART NO.
1	<b>Compressor</b>	
	a. 115V/60 Hz/1 Ph. . . . .	† 7627523
	b. Overload for Compressor 7627523 . . . . .	8505413
	c. 208-230V/60 Hz/1 Ph. . . . .	† 7627543
	d. Overload for Compressor 7627543 . . . . .	8505423
	e. 230V/50 Hz/1 Ph. . . . .	† 7627533
2	<b>Water Dump Valve</b>	
	a. Dump Valve Rebuild Kit . . . . .	No Longer Available
	b. Dump Valve, 115V . . . . .	000001767
	c. Dump Valve, 208-230V/50-60 Hz. . . . .	000001768
3	<b>Hot Gas Valve</b>	
	a. Hot Gas Valve Including 115V/60 Hz Coil (Danfoss) . . . . .	† 7630011
	b. Hot Gas Valve 115V Coil Only Danfoss . . . . .	000005156
	c. Hot Gas Valve 115V Coil Only Alco . . . . .	2404363
	d. Hot Gas Valve Including 208-230V/50-60 Hz Coil (Danfoss) . . . . .	† 7630071
	e. Hot Gas Valve 208-230V/50-60 Hz Coil Only Danfoss. . . . .	000005157
	f. Hot Gas Valve 208-230V/50-60 Hz Coil Only Alco . . . . .	† 2404483
4	Expansion Valve . . . . .	† 7600183
5	Expansion Valve Body Insulating Boot	
	a. Alco. . . . .	4007213
	b. Danfoss . . . . .	4000363
6	Expansion Valve Bulb Insulating Boot . . . . .	4007203
7	High Pressure Cut-out Control . . . . .	† 2355369
8	Thermistor . . . . .	2351163
9	Manifold Strainer . . . . .	8310163
10	Water Inlet Female Wing Adapter . . . . .	† 8706093
11	Water Inlet Union (Compression Nut). . . . .	1360961
12	Water Drain Female Wing Adapter. . . . .	1706021
13	Water Drain Copper Tube Insert. . . . .	110481

### Miscellaneous – Brackets, Screws, etc.

14	Dump Valve Mounting Bracket . . . . .	6002611
15	Dump Valve Shield (Used on Air-cooled Models Only) . . . . .	† 7000623
16	Base Angle . . . . .	No Longer Available
17	Left Corner Post Weldment . . . . .	No Longer Available
18	Right Corner Post Weldment . . . . .	No Longer Available
19	Water Drain Vinyl Tubing, 0.625 ID . . . . .	No Longer Available
20	Water Inlet Vinyl Tubing, 0.25 ID . . . . .	4420291
21	Compressor Mounting Rubber Grommet . . . . .	† 8503069
22	Compressor Mounting Sleeve (Inserts into Grommet) . . . . .	† 8503949
23	Compressor Mounting Nut . . . . .	† 5430029
24	Compressor Mounting Washer. . . . .	† 5573099
25	Clamp, Water Drain . . . . .	† 5650709
26	Clamp, Expansion Valve Bulb . . . . .	† 5650529
27	Clamp, Thermistor . . . . .	5650773
28	Locknut, Used to Fasten Refrigerant Service Valves (Not shown) . . . . .	† 5475039
29	Screw, #10-24 x 0.50 . . . . .	† 5202069
30	Bushing 0.625 ID . . . . .	† 2500169
31	Bushing 0.875 ID . . . . .	† 2501409

† Refer to Cross Reference Guide

# J0320 AIR-COOLED



1394

## DESCRIPTION

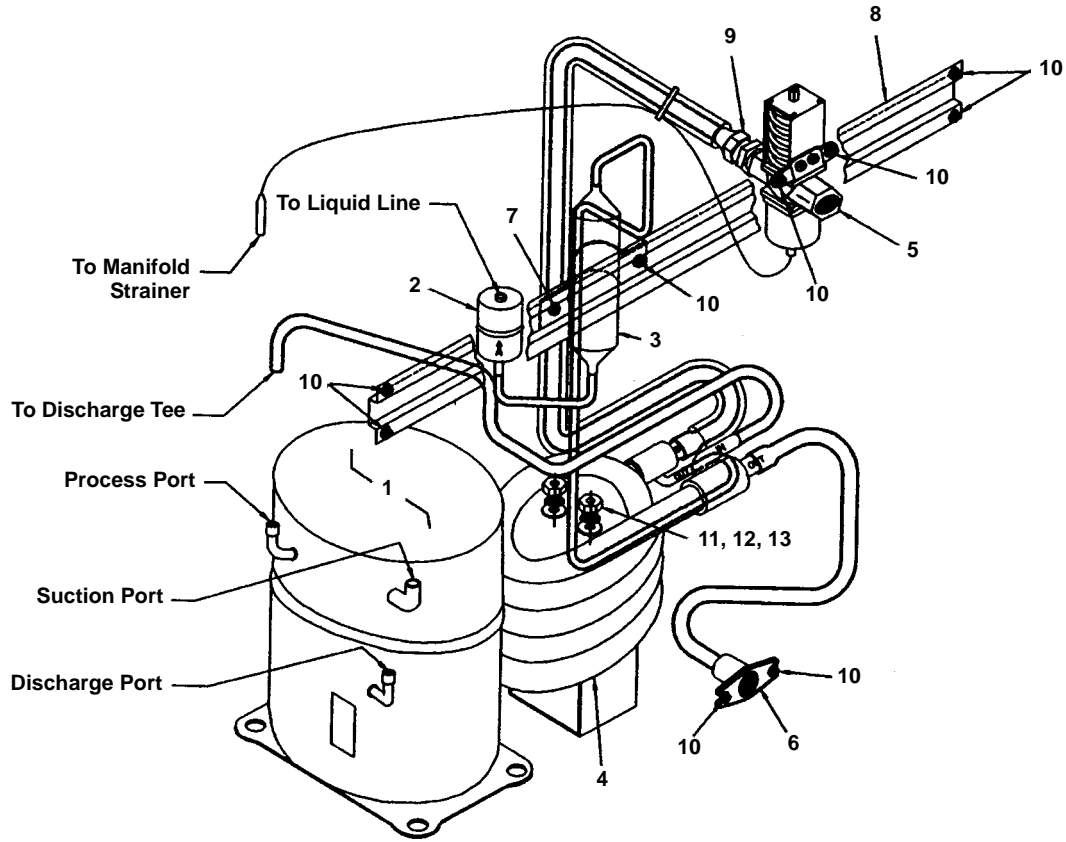
	PART NO.
1 Compressor (Refer to COMMON PARTS) .....	Page 4
2 Air Condenser .....	8850853
3 <b>Fan Motor</b>	
a. 115V .....	† 2412813
b. 208-230V/60 Hz or 230V/50 Hz .....	† 2412823
4 Fan Blade .....	2416223
5 Fan Cycling Control .....	† 2001263
6 Air Filter (Not shown) .....	No Longer Available
7 Drier .....	† 8930259

## Miscellaneous – Brackets, Screws, etc.

8 Air Filter Bracket (Not shown) .....	† 7626863
9 Fan Shroud .....	6003241
10 Fan Motor Mounting Bracket .....	6887814
11 Screw, #8-36 x 0.44 .....	† 5025599
12 Flat Washer .....	† 5504269
13 Screw, #10-24 x 0.50 .....	† 5202069
14 Screw, #10-24 x 0.63 .....	† 5202059

† Refer to Cross Reference Guide

## J0320 WATER-COOLED



1395

### DESCRIPTION

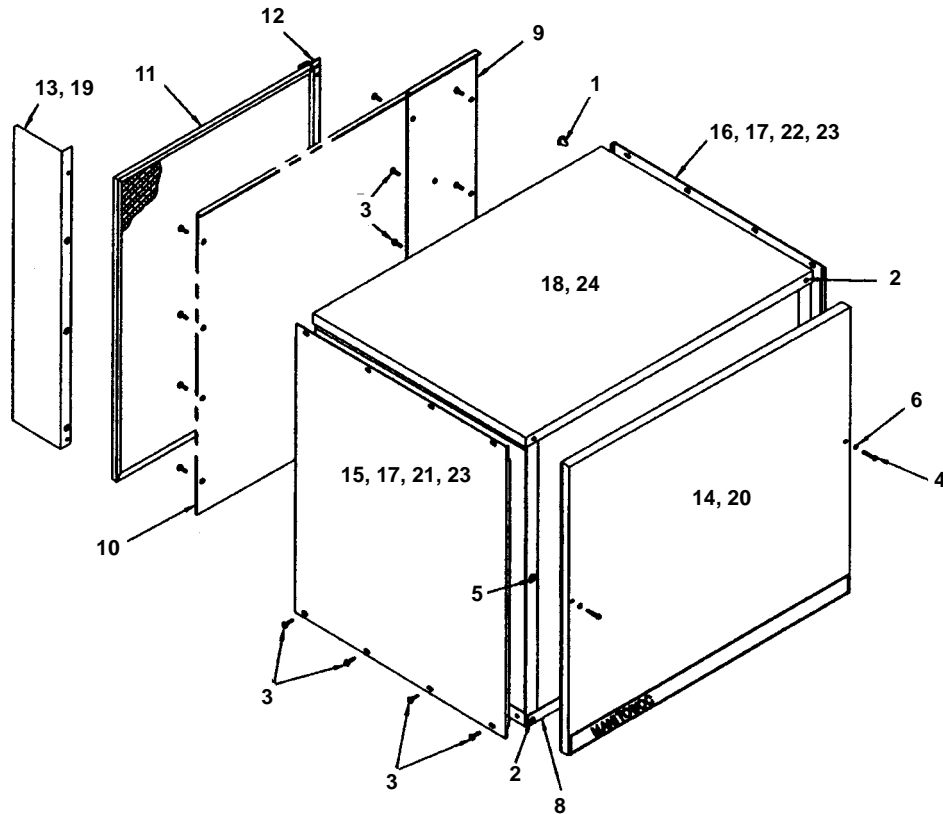
DESCRIPTION	PART NO.
1 Compressor (Refer to COMMON PARTS) .....	Page 4
2 Drier .....	† 8930259
3 Receiver .....	000008892
4 Water-cooled Condenser .....	† 8865323
5 Water Regulating Valve .....	† 8372069
6 Water Drain Female Wing Adapter .....	No Longer Available

### Miscellaneous – Brackets, Screws, etc.

7 Receiver Strap .....	No Longer Available
8 Bracket – Receiver/Valve Mounting .....	No Longer Available
9 Water Coupling .....	8332033
10 Screw, #10-24 x 0.50 .....	† 5202069
11 Flat Washer .....	† 5573099
12 Lockwasher .....	† 5545149
13 Nut .....	† 5430029

† Refer to Cross Reference Guide

## J0320 PANELS



1396

### COMMON PARTS

	<b>PART NO.</b>
1 Canoe Clip Fastener .....	No Longer Available
2 Screw, #10-24 x 0.50 Flat .....	† 5202099
3 Screw, #10-24 x 0.50 Hex .....	† 5202069
4 Screw, #8-32 x 1.25 .....	† 5026689
5 Threaded Insert .....	† 5768659
6 "O" Ring .....	† 3718199
7 Extruded Tape Gasket (Not shown) .....	† 9202509
8 Front Support .....	No Longer Available
9 Back Panel, Air .....	No Longer Available
10 Back Panel, Water .....	No Longer Available
11 Air Filter .....	No Longer Available
12 Filter Bracket .....	† 7626863

### FAWN

13 Air Baffle .....	No Longer Available
14 Front Panel Assembly .....	No Longer Available
15 LH Side Panel, Air .....	No Longer Available
16 RH Side Panel, Air .....	No Longer Available
17 Side Panel, Water .....	No Longer Available
18 Top Cover .....	No Longer Available

### STAINLESS STEEL

19 Air Baffle .....	6002203
20 Front Panel Assembly .....	No Longer Available
21 LH Side Panel, Air .....	No Longer Available
22 RH Side Panel, Air .....	No Longer Available
23 Side Panel, Water .....	6003983
24 Top Cover .....	No Longer Available

† Refer to Cross Reference Guide

**INTENTIONALLY LEFT BLANK**