



Ice Machine Parts List for Series J0420 Models

JR0420A

JD0423W

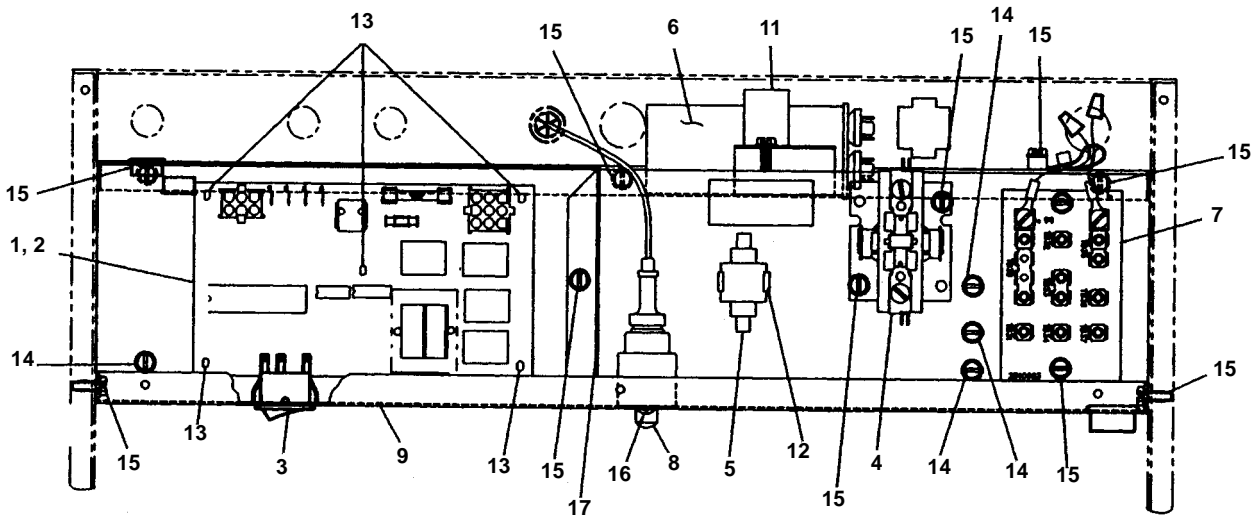
JR0421W

JY0424A

JD0422A

JY0425W

J0420 CONTROL BOX



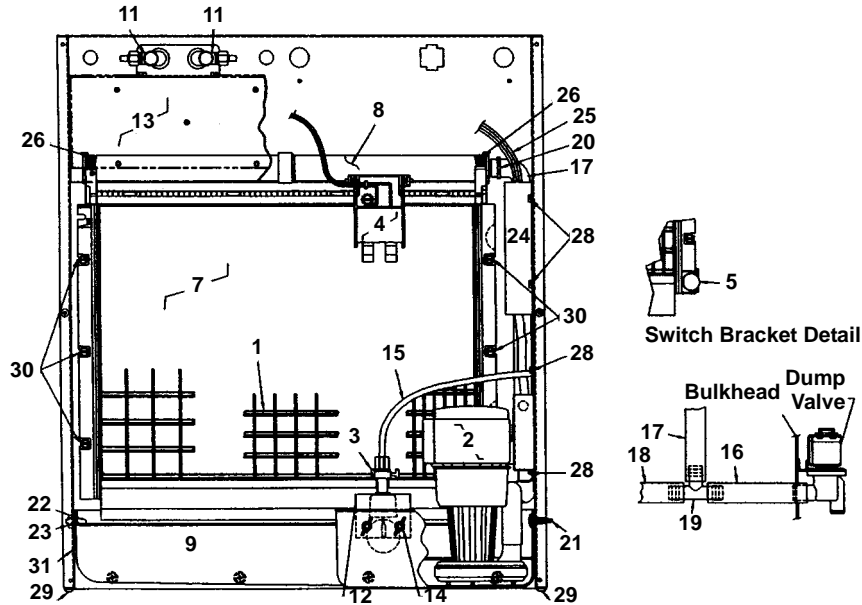
1401

DESCRIPTION

		PART NO.
1	Control Board (For use with all voltages)	† 7627823
2	Fuses-Mounted On Control Board	
	a. 7 Amp	2511003
	b. 0.125 Amp 60 Hz Mini Fuse	† 2511169
	c. 0.100 Amp 50 Hz Mini Fuse	2511053
3	Toggle Switch Only	2301343
	a. Toggle Switch With Wiring Harness Attached	2032173
4	Contactor	
	a. 115V/60 Hz/1 Ph	† 2006589
	b. 208-230V/60 Hz/1 Ph or 230V/50 Hz/1 Ph	† 2006599
5	P.T.C.R. Compressor Starter	8505003
6	Compressor Run Capacitor	
	a. 115V	2010143
	b. 230V/50-60 Hz.	8504003
7	Terminal Board with Wire Harness Attached	
	a. 60 Hz	No Longer Available
	b. 50 Hz	No Longer Available
8	High Pressure Cut-out Control	† 2355369
Miscellaneous – Brackets, Screws, etc.		
9	Control Box	No Longer Available
10	Control Box Cover (Not shown)	No Longer Available
11	Compressor Run Capacitor Mounting Bracket	6024951
12	P.T.C.R. Compressor Starter Mounting Bracket	8505023
13	Control Board Mounting Supports	4302253
14	Screw, #10-24 x 0.50 Ground	† 5202169
15	Screw, #10-24 x 0.50 Hex Head	† 5202069
16	Screw, #8 x 0.75	† 5121669
17	Control Board Cover	No Longer Available

† Refer to Cross Reference Guide

J0420 EVAPORATOR COMPARTMENT



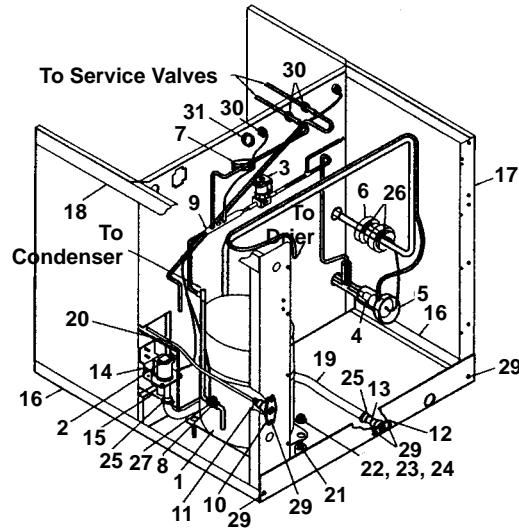
1402

DESCRIPTION

	PART NO.
1 Evaporator Assembly	
a. Regular Cube	† 7625129
b. Dice Cube	† 7625119
c. Half Dice Cube	† 7625109
d. Top Gasket/Top Molding Assembly	7626213
2 Water Pump	
a. 115V/60 Hz	† 7623063
b. 208-230V/60 Hz or 230V/50 Hz	† 7626013
3 Float Valve (Complete Assembly)	† 8369049
a. Float Valve Screen	† 8369069
b. Float Valve Plunger	† 8369089
c. Float Valve Compression Nut	† 5650729
4 Ice Thickness Control	† 7627813
5 Magnetic Bin Switch (Mounted to Evaporator)	† 2301483
6 Water Flow Clamp (Use on Regular Cube Evap. Only – Not shown)	7620543
7 Water Curtain	† 4304643
a. Water Curtain Hanger	7627763
b. Water Curtain Magnet and Clip	† 7628023
8 Water Distribution Tube	† 7624983
9 Water Trough	6002451
10 High Pressure Cut-out (Not shown)	† 2355369
11 Refrigeration Service Valve Assembly	† 8373109
Miscellaneous – Brackets, Screws, etc.	
12 Float Valve Mounting Bracket	00000136
13 Control Box Cover	No Longer Available
14 Wing Nut	† 5489139
15 Tubing, Vinyl 0.25 OD (Water Inlet)	4420291
16 Tubing, Vinyl 0.625 ID (Tee to Dump Valve)	† 4420383
17 Tubing, Vinyl 0.625 ID (Tee to Distribution Tube)	† 4421053
18 Tubing, Vinyl 0.625 ID (Pump to Tee)	† 4421013
19 Barbed Tee	8391033
20 Hose Clamp	† 5650709
21 Thumbscrew – Push-in	† 5012279
22 Water Trough Support Pin (Order Nylon Hex Nut Separately)	† 4302019
23 Water Trough Support Pin Nylon Hex Nut	† 5429459
24 Water Pump Cord Channel	No Longer Available
25 Water Pump Electrical Lead	† 2078103
26 Screw, #8-32 x 0.63 Nylon-Water Distribution Tube Mounting	† 5000013
27 Screw Used to Mount High Pressure Cut-out (Not shown)	† 5121669
28 Screw# 10-24 x 0.50	† 5202069
29 Pop Rivet SS	No Longer Available
30 Screw – #10-24 x 0.750, Used to Mount Evaporator	† 5202189
31 Splash Shield	No Longer Available

† Refer to Cross Reference Guide

J0420 COMMON PARTS



1403

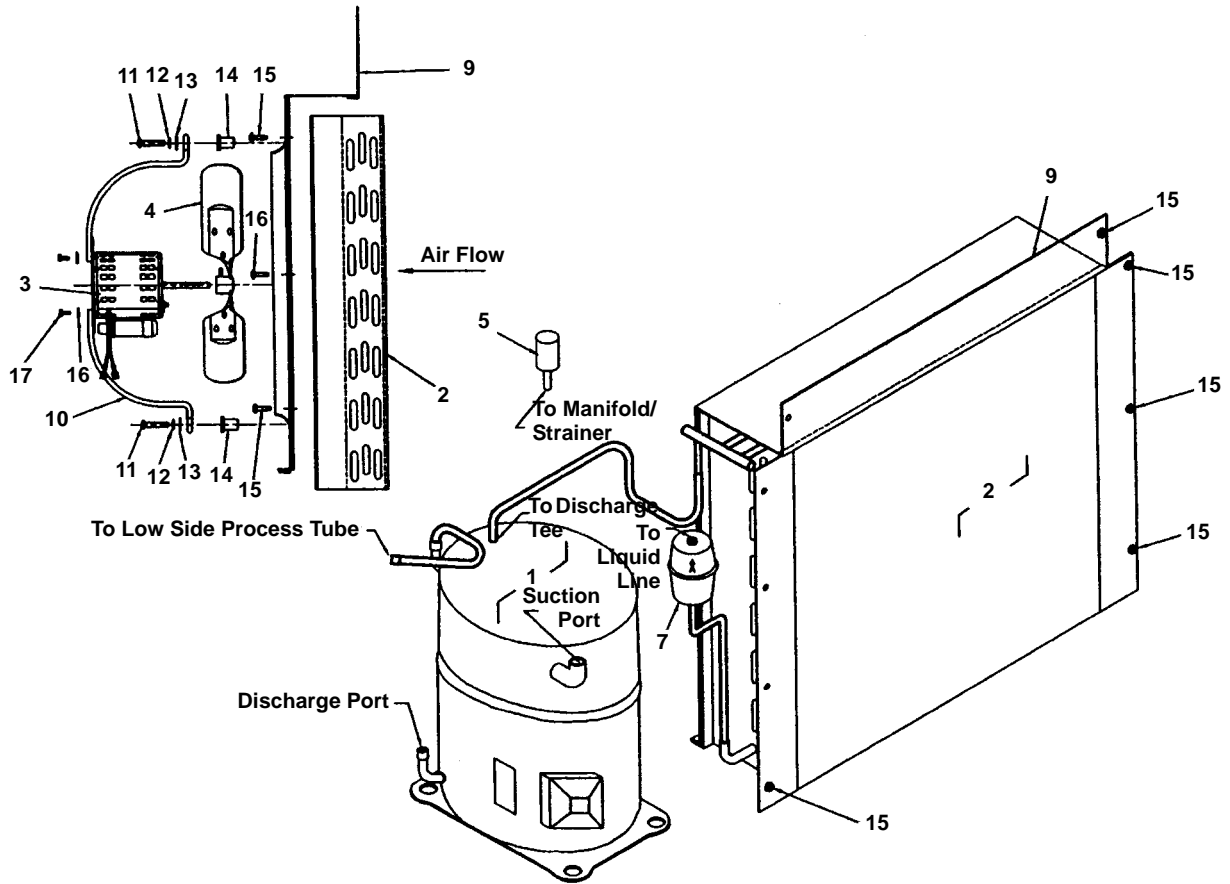
DESCRIPTION

PART NO.

1 Compressor	
a. 115V/60 Hz/1 Ph.	† 7628103
b. Overload For 7628103	8505553
c. 208-230V/60 Hz/1 Ph.	† 7628123
d. Overload For 7628123	8505563
e. 230V/50 Hz/1 Ph	† 7628113
f. Overload For 7628113	8505573
2 Water Dump Valve	
a. Dump Valve Rebuild Kit	No Longer Available
b. Dump Valve, 115V	000001767
c. Dump Valve, 208-230V/50-60 Hz	000001768
3 Hot Gas Valve	
a. Hot Gas Valve Including 115V/60 Hz Coil (Danfoss)	† 7630011
b. Hot Gas Valve 115V Coil Only Danfoss	000005156
c. Hot Gas Valve 115V Coil Only Alco	2404363
d. Hot Gas Valve Including 208-230V/50-60 Hz Coil (Danfoss)	† 7630071
e. Hot Gas Valve 208-230V/50-60 Hz Coil Only Danfoss	000005157
f. Hot Gas Valve 208-230V/50-60 Hz Coil Only Alco	† 2404483
4 Expansion Valve	† 7600193
5 Expansion Valve Body Insulating Boot	
a. Alco	4007213
b. Danfoss	4000363
6 Expansion Valve Bulb Insulating Boot	4007203
7 High Pressure Cut-out Control	† 2355369
8 Thermistor	2351163
9 Manifold Strainer	8310163
10 Water Inlet Female Wing Adapter	† 8706093
11 Water Inlet Union (Compression Nut)	1360961
12 Water Drain Female Wing Adapter	1706021
13 Water Drain Copper Tube Insert	110481
Miscellaneous – Brackets, Screws, etc.	
14 Dump Valve Mounting Bracket	6002611
15 Dump Valve Shield (Used on Air-cooled Models Only)	† 7000623
16 Base Angle	No Longer Available
17 Left Corner Post Weldment	No Longer Available
18 Right Corner Post Weldment	No Longer Available
19 Water Drain Vinyl Tubing, 0.625 ID	No Longer Available
20 Water Inlet Vinyl Tubing, 0.25 ID	4420291
21 Compressor Mounting Rubber Grommet	† 8503069
22 Compressor Mounting Sleeve (inserts into Grommet)	† 8503949
23 Compressor Mounting Nut	† 5430029
24 Compressor Mounting Washer	† 5573099
25 Clamp, Water Drain	† 5650709
26 Clamp, Expansion Valve Bulb	† 5650529
27 Clamp, Thermistor	5650773
28 Locknut Used to Fasten Refrigerant Service Valves (Not shown)	† 5475039
29 Screw, #10-24 x 0.50	† 5202069
30 Bushing 0.625 ID	† 2500169
31 Bushing 0.875 ID	† 2501409

† Refer to Cross Reference Guide

J0420 AIR-COOLED



1404

DESCRIPTION

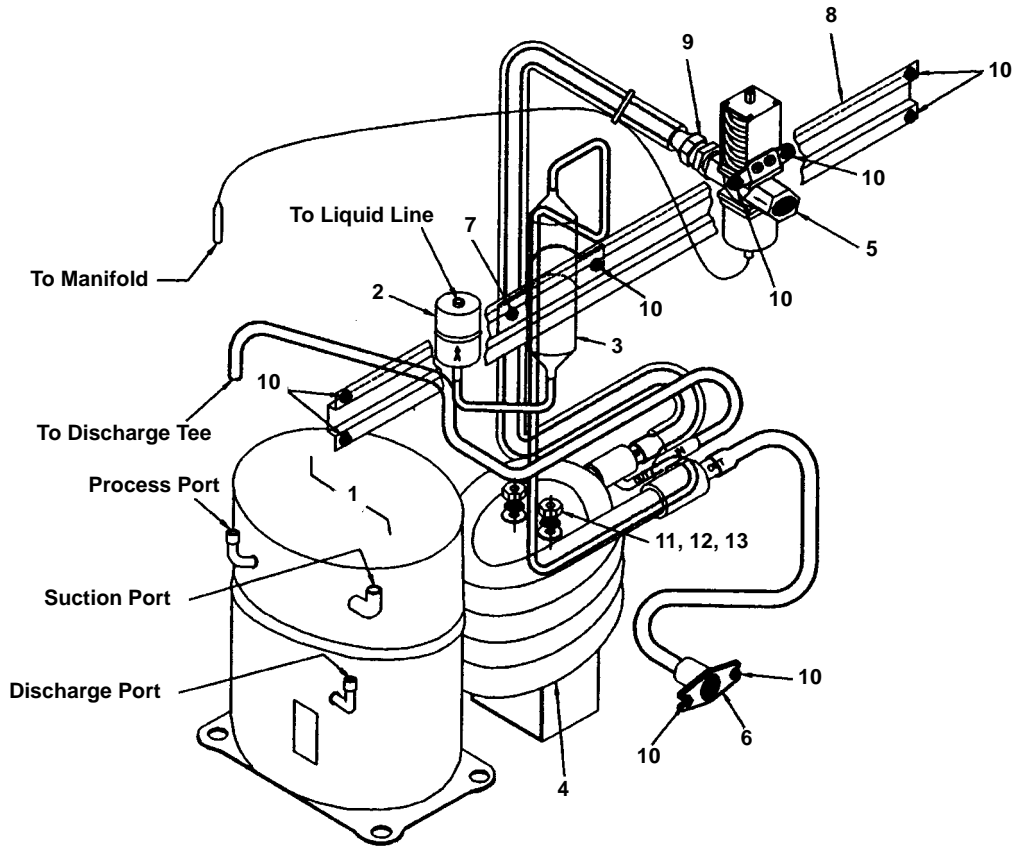
DESCRIPTION	PART NO.
1 Compressor (Refer to COMMON PARTS)	Page 4
2 Air Condenser	No Longer Available
3 Fan Motor	
a. 115V	† 2412929
b. 208-230V/60 Hz or 230V/50 Hz	† 2412939
4 Fan Blade	2416203
5 Fan Cycling Control	† 2001263
6 Air Filter (Not shown)	4040023
7 Drier	† 8930259

Miscellaneous – Brackets, Screws, etc.

8 Air Filter Bracket (Not shown)	† 7626863
9 Fan Shroud	No Longer Available
10 Fan Motor Mounting Bracket	3406623
11 Screw	† 5033589
12 Lockwasher	† 5545109
13 Flat Washer	† 5573059
14 Rubber Well Nut	† 5429559
15 Screw, #10-24 x 0.50	† 5202069
16 Flat Washer	† 5504269
17 Screw, 8-36 x 7/16	† 5025599

† Refer to Cross Reference Guide

J0420 WATER-COOLED



1405

DESCRIPTION

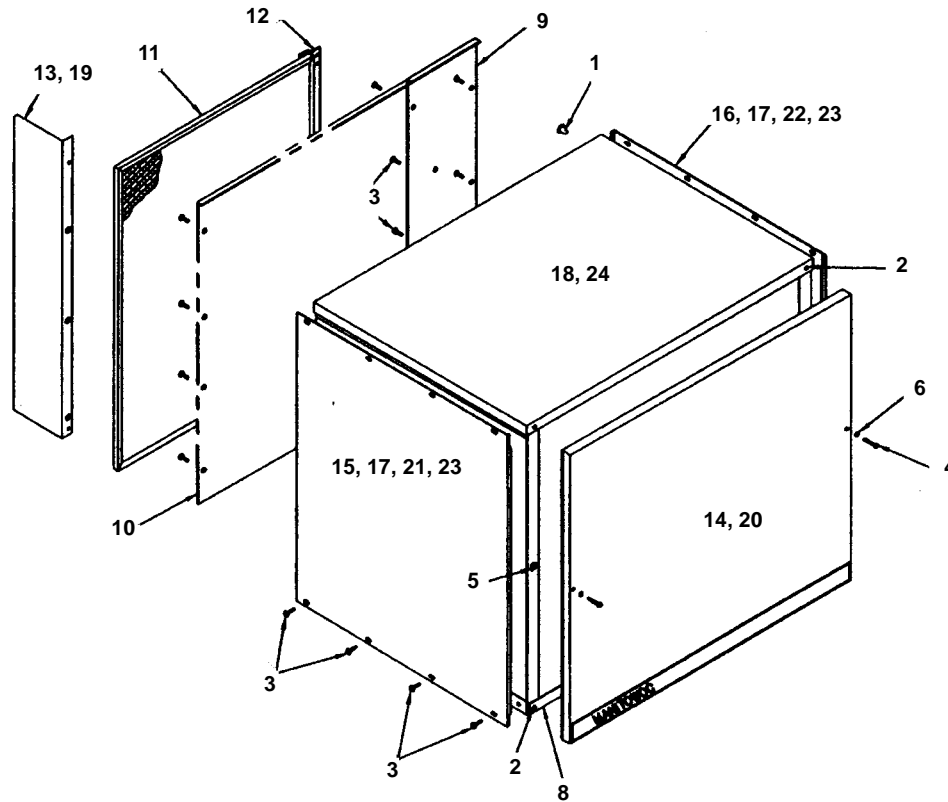
DESCRIPTION	PART NO.
1 Compressor (Refer to COMMON PARTS)	Page 4
2 Drier	† 8930259
3 Receiver	000008892
4 Water-cooled Condenser	† 8865323
5 Water Regulating Valve	† 8372069
6 Water Drain Female Wing Adapter	No Longer Available

Miscellaneous – Brackets, Screws, etc.

7 Receiver Strap	No Longer Available
8 Bracket – Receiver/Valve Mounting	No Longer Available
9 Water Coupling	8332033
10 Screw, #10-24 x 0.50	† 5202069
11 Flat Washer	† 5573099
12 Lockwasher	† 5545149
13 Nut	† 5430029

† Refer to Cross Reference Guide

J0420 PANELS



1406

COMMON PARTS

	PART NO.
1 Canoe Clip Fastener	No Longer Available
2 Screw, #10-24 x 0.50 Flat	† 5202099
3 Screw, #10-24 x 0.50 Hex	† 5202069
4 Screw, #8-32 x 1.25	† 5026689
5 Threaded Insert	† 5768659
6 "O" Ring	† 3718199
7 Extruded Tape Gasket (Not shown)	† 9202509
8 Front Support	No Longer Available
9 Back Panel, Air	No Longer Available
10 Back Panel, Water	No Longer Available
11 Air Filter	4040023
12 Filter Bracket	† 7626863

FAWN

13 Air Baffle	No Longer Available
14 Front Panel Assembly	No Longer Available
15 LH Side Panel, Air	No Longer Available
16 RH Side Panel, Air	No Longer Available
17 Side Panel, Water	No Longer Available
18 Top Cover	No Longer Available

STAINLESS STEEL

19 Air Baffle	No Longer Available
20 Front Panel Assembly	No Longer Available
21 LH Side Panel, Air	No Longer Available
22 RH Side Panel, Air	No Longer Available
23 Side Panel, Water	No Longer Available
24 Top Cover	No Longer Available

† Refer to Cross Reference Guide

INTENTIONALLY LEFT BLANK