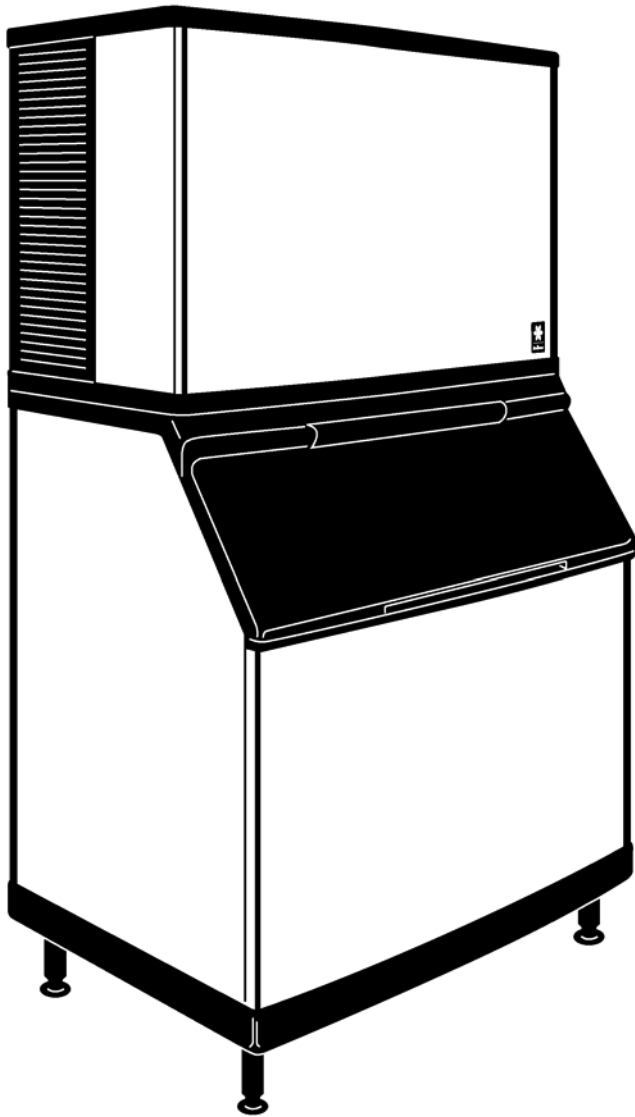




Manitowoc®



Q Model Ice Machines

Installation and Owner/Operator Use and Care Manual

Thank you for selecting a Manitowoc Ice Machine, the dependability leader in ice making equipment and related products. With proper installation, care and maintenance, your new Manitowoc Ice Machine will provide you with many years of reliable and economical performance.

Safety Notices

As you work on a Q Series Ice Machine, be sure to pay close attention to the safety notices in this manual. Disregarding the notices may lead to serious injury and/or damage to the ice machine.

Throughout this manual, you will see the following types of safety notices:



Warning

PERSONNEL INJURY POTENTIAL

Do not operate equipment that has been misused, abused, neglected, damaged, or altered/modified from that of original manufactured specifications.



Warning

Text in a Warning box alerts you to a potential personal injury situation. Be sure to read the Warning statement before proceeding, and work carefully.



Caution

Text in a Caution box alerts you to a situation in which you could damage the ice machine. Be sure to read the Caution statement before proceeding, and work carefully.

Procedural Notices

As you work on a Q Series Ice Machine, be sure to read the procedural notices in this manual. These notices supply helpful information which may assist you as you work.

Throughout this manual, you will see the following types of procedural notices:

Important

Text in an Important box provides you with information that may help you perform a procedure more efficiently. Disregarding this information will not cause damage or injury, but it may slow you down as you work.

NOTE: Text set off as a Note provides you with simple, but useful, extra information about the procedure you are performing.

Read These Before Proceeding:



Caution

Proper installation, care and maintenance are essential for maximum ice production and trouble-free operation of your Manitowoc Ice Machine. Read and understand this manual. It contains valuable care and maintenance information. If you encounter problems not covered by this manual, do not proceed, contact Manitowoc Ice, Inc. We will be happy to provide assistance.

Important

Routine adjustments and maintenance procedures outlined in this manual are not covered by the warranty.

We reserve the right to make product improvements at any time. Specifications and design are subject to change without notice.

Table of Contents

Section 1 General Information

| | |
|---|-----|
| Model Numbers | 1-1 |
| How to Read a Model Number | 1-1 |
| Ice Cube Sizes | 1-1 |
| Accessories | 1-2 |
| Bin Caster | 1-2 |
| Stacking Kit | 1-2 |
| Ice Bagger | 1-2 |
| Ice Deflector | 1-2 |
| GSI200 | 1-2 |
| Arctic Pure Water Filter System | 1-2 |
| Manitowoc Cleaner and Sanitizer | 1-2 |
| Aucs Automatic Cleaning System | 1-2 |
| Dispenser | 1-2 |
| Manitowoc Cleaner and Sanitizer | 1-2 |
| Dispenser | 1-2 |
| Model/Serial Number Location | 1-3 |
| Warranty | 1-4 |
| General | 1-4 |
| Warranty Coverage | 1-4 |
| General | 1-4 |
| Parts | 1-4 |
| Labor | 1-4 |
| Exclusions | 1-4 |
| Authorized Warranty Service | 1-4 |

Section 2 Installation Instructions

| | |
|--|-----|
| General | 2-1 |
| Ice Machine Dimensions | 2-1 |
| Q320/Q370/Q420 Ice Machines | 2-1 |
| Q280 – Q1000 Ice Machines | 2-2 |
| Q1300/Q1600/Q1800 Ice Machines | 2-2 |
| Q1300/Q1600/Q1800 Ice Machines (Cont.) | 2-3 |
| Ice Storage Bin Dimensions | 2-3 |
| S170/S400/S570 Ice Storage Bins | 2-3 |
| S320/S420 Ice Storage Bins | 2-3 |
| S970 Ice Storage Bins | 2-3 |
| Large Capacity Ice Storage Bin Dimensions | 2-4 |
| 30 Inch (76 cm) | 2-4 |
| 48 Inch (122 cm) & 60 Inch (152 cm) | 2-4 |
| Remote Condenser Dimensions | 2-5 |
| JC0495/JC0895/JC1095/JC1395 | 2-5 |
| JC1895 | 2-5 |
| Location of Ice Machine | 2-6 |
| Stacking Two Ice Machines on a Single Storage Bin | 2-6 |
| Ice Machine Heat of Rejection | 2-6 |
| Leveling the Ice Storage Bin | 2-7 |
| Air-Cooled Baffle | 2-7 |

Table of Contents (continued)

| | |
|--|-------------|
| Electrical Service | 2-8 |
| General | 2-8 |
| Voltage | 2-8 |
| Fuse/Circuit Breaker | 2-8 |
| Minimum Circuit Ampacity | 2-8 |
| Self-Contained Electrical Wiring Connections | 2-10 |
| Self Contained Ice Machine 115/1/60 or 208-230/1/60 | 2-10 |
| Self Contained Ice Machine 208-230/3/60 | 2-10 |
| Self Contained Ice Machine 230/1/50 | 2-10 |
| For United Kingdom Only | 2-10 |
| Remote Electrical Wiring Connections | 2-11 |
| Remote Ice Machine With Single Circuit Model Condenser 115/1/60 or 208-230/1/60 | 2-11 |
| Remote Ice Machine With Single Circuit Model Condenser 208-230/3/60 or 380-415/3/50 | 2-11 |
| Remote Ice Machine With Single Circuit Model Condenser 230/1/50 | 2-11 |
| Water Supply and Drain Requirements | 2-12 |
| Water Supply | 2-12 |
| Water Inlet Lines | 2-12 |
| Drain Connections | 2-12 |
| Cooling Tower Applications (Water-Cooled Models) | 2-12 |
| Water Supply and Drain Line Sizing/Connections | 2-13 |
| Remote Condenser/Line Set Installation | 2-14 |
| Remote Ice Machines | |
| Refrigerant Charge | 2-14 |
| General | 2-15 |
| Guidelines for Routing Line Sets | 2-15 |
| Calculating Remote Condenser Installation Distances | 2-16 |
| Lengthening or Reducing Line Set Lengths | 2-17 |
| Connecting A Line Set | 2-17 |
| Remote Receiver Service Valve | 2-17 |
| Remote Ice Machine Usage with Non-Manitowoc Multi-Circuit Condensers | 2-18 |
| Warranty | 2-18 |
| Head Pressure Control Valve | 2-18 |
| Fan Motor | 2-18 |
| Internal Condenser Volume | 2-18 |
| Condenser DT | 2-18 |
| Refrigerant Charge | 2-18 |
| Quick Connect Fittings | 2-18 |
| Non-Manitowoc Multi-Circuit Condenser Sizing Chart | 2-19 |
| Installation Check List | 2-20 |
| Additional Checks for Remote Models | 2-20 |
| Before Starting the Ice Machine | 2-21 |
| AuCS® Automatic Cleaning System | 2-21 |

Table of Contents

Section 3 Ice Machine Operation

| | |
|--|-----|
| Component Identification | 3-1 |
| Self-Contained Air- and Water-Cooled | |
| Q200/Q280/Q320/Q370/Q420/Q450/Q600/Q800/Q1000/Q1300/Q1600/Q1800 . | 3-2 |
| Initial Start-Up or Start-Up After Automatic Shut-Off | 3-2 |
| Freeze Sequence | 3-2 |
| Harvest Sequence | 3-3 |
| Automatic Shut-Off | 3-3 |
| Remote | |
| Q450/Q600/Q800/Q1000/Q1300/Q1600/Q1800 | 3-4 |
| Initial Start-Up or Start-Up After Automatic Shut-Off | 3-4 |
| Freeze Sequence | 3-4 |
| Harvest Sequence | 3-5 |
| Automatic Shut-Off | 3-5 |
| Operational Checks | 3-6 |
| General | 3-6 |
| Water Level | 3-6 |
| Ice Thickness Check | 3-6 |
| Harvest Sequence Water Purge | 3-7 |

Section 4 Maintenance

| | |
|---|------|
| General | 4-1 |
| Interior Cleaning and Sanitizing | 4-1 |
| General | 4-1 |
| Cleaning & Sanitizing Procedure | 4-1 |
| Ice Machine Inspection | 4-8 |
| Exterior Cleaning | 4-8 |
| Cleaning the Condenser | 4-8 |
| General | 4-8 |
| Water-Cooled Condenser and Water Regulating Valve | 4-9 |
| Removal from Service/Winterization | 4-10 |
| General | 4-10 |
| Self-Contained Air-Cooled Ice Machines | 4-10 |
| Water-Cooled Ice Machines | 4-10 |
| Remote Ice Machines | 4-10 |

Section 5 Before Calling for Service

| | |
|-----------------------------------|-----|
| Checklist | 5-1 |
| Safety Limit Feature | 5-2 |

Table of Contents (continued)

Section 1

General Information

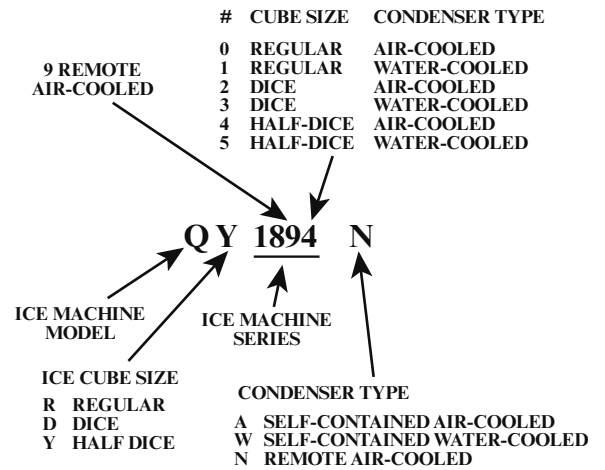
Model Numbers

This manual covers the following models:

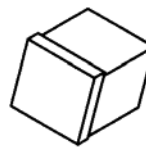
| Self-Contained Air-Cooled | Self-Contained Water-Cooled | Remote |
|---------------------------|-----------------------------|--------------------|
| QD0322A QY0324A | QD0323W QY0325W | -- |
| QD0422A QY0424A | QD0423W QY0425W | -- |
| QD0282A QY0284A | QD0283W QY0285W | -- |
| QD0372A QY0374A | QD0373W QY0375W | -- |
| QD0452A QY0454A | QD0453W QY0455W | QD0492N QY0494N |
| QD0602A QY0604A | QD0603W QY0605W | QD0692N QY0694N |
| QD0802A QY0804A | QD0803W QY0805W | QD0892N QY0894N |
| QD1002A QY1004A | QD1003W QY1005W | QD1092N QY1094N |
| QD1302A QY1304A | QD1303W QY1305W | QD1392N QY1394N |
| -- -- | QD1603W QY1605W | QD1692N QY1694N |
| QD1802A QY1804A | QD1803W QY1805W | QD1892N QY1894N |

NOTE: Model numbers ending in 3 indicate a 3-phase unit. Example: QY1804A3

How to Read a Model Number

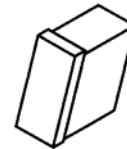


Ice Cube Sizes



Dice

7/8" x 7/8" x 7/8"
2.22 x 2.22 x 2.22 cm



Half Dice

3/8" x 1-1/8" x 7/8"
0.95 x 2.86 x 2.22 cm

⚠ Warning

PERSONAL INJURY POTENTIAL

Do not operate equipment that has been misused, abused, neglected, damaged, or altered/modified from that of original manufactured specifications.

Accessories

Contact your Manitowoc distributor for these optional accessories:

BIN CASTER

Replaces standard legs.

STACKING KIT

As your business grows and your ice needs increase, Manitowoc stack-on capability can double your daily ice production without using additional floor space.

ICE BAGGER

Maximize profits from bagged ice sales with this convenient accessory. This sturdy unit rests on the bin door frame, and adapts for left or right side filling.

ICE DEFLECTOR

 **Warning**

All Manitowoc ice machines require the ice storage (bin, dispenser, etc.) to incorporate an ice deflector.

Prior to using a non-Manitowoc ice storage system with Manitowoc ice machines, contact the manufacturer to assure their ice deflector is compatible with Manitowoc ice machines.

GS1200

This accessory releases chlorine dioxide on a controlled basis to inhibit the growth of bacteria and slime.

ARCTIC PURE™ WATER FILTER SYSTEM

Engineered specifically for Manitowoc ice machines, This water filter is an efficient, dependable, and affordable method of inhibiting scale formation, filtering sediment, and removing chlorine taste and odor.

MANITOWOC CLEANER AND SANITIZER

Manitowoc Ice Machine Cleaner and Sanitizer are available in convenient 16 oz. (473 ml) and 1 gal (3.78 l) bottles. These are the only cleaner and sanitizer approved for use with Manitowoc products.

| Cleaner Part Number | | Sanitizer Part Number | |
|---------------------|-----------|-----------------------|-----------|
| 16 Oz. | 94-0456-3 | 16 Oz. | 94-0565-3 |
| 1 Gallon | 94-0580-3 | 1 Gallon | 94-0581-3 |

AUCS® AUTOMATIC CLEANING SYSTEM

This accessory reduces equipment cleaning expense. The AuCS® accessory monitors ice making cycles and initiates cleaning procedures automatically.

DISPENSER

A counter-top dispenser is ideal for cafeterias and many types of self-service facilities. Manitowoc auto-fill, floor-standing ice dispensers meet the strict sanitary requirements of the food service, lodging and health care industries.

MANITOWOC CLEANER AND SANITIZER

Manitowoc Ice Machine Cleaner and Sanitizer are available in convenient 16 oz. (473 ml) and 1 gal (3.78 l) bottles. These are the only cleaner and sanitizer approved for use with Manitowoc products.

| Cleaner Part Number | | Sanitizer Part Number | |
|---------------------|-----------|-----------------------|-----------|
| 16 oz. | 94-0456-3 | 16 oz. | 94-0565-3 |
| 1 Gallon | 94-0580-3 | 1 Gallon | 94-0581-3 |

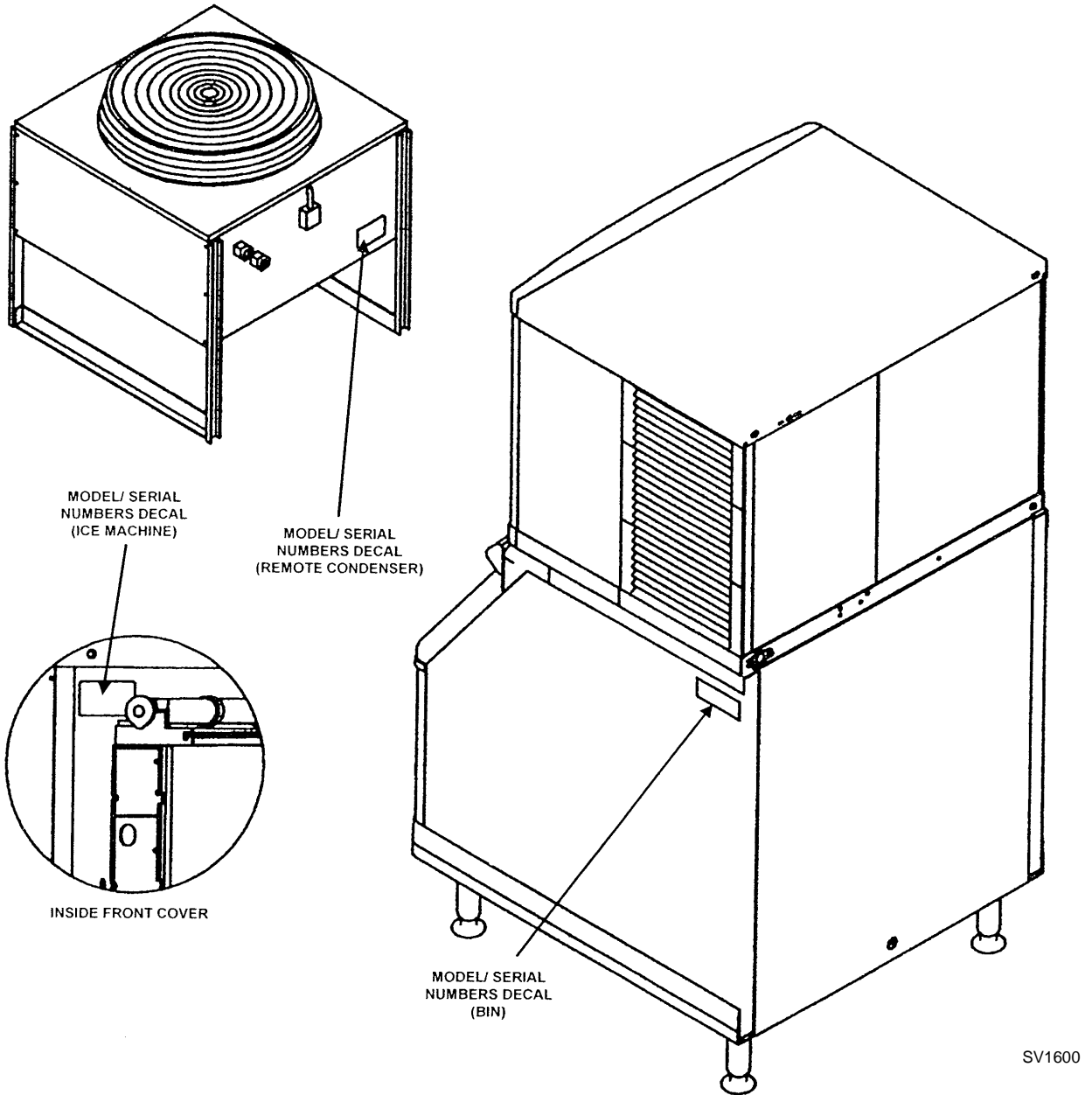
DISPENSER

A counter-top dispenser is ideal for cafeterias and many types of self-service facilities. Manitowoc auto-fill, floor-standing ice dispensers meet the strict sanitary requirements of the food service, lodging and health care industries.

Model/Serial Number Location

Record the model and serial number of your ice machine and bin or dispenser in the space provided below. These numbers are required when requesting information from your local Manitowoc distributor, or Manitowoc Ice, Inc.

The model and serial number are listed on the OWNER WARRANTY REGISTRATION CARD. They are also listed on the MODEL/SERIAL NUMBER DECAL affixed to the ice machine, remote condenser and storage bin.



Model/Serial Number Location

| | Ice Machine | Bin or Dispenser | Remote Condenser | AuCS Accessory |
|----------------------|-------------|------------------|------------------|----------------|
| Model Number | | | | |
| Serial Number | | | | |

Warranty

GENERAL

The packet containing this manual also includes warranty information. Warranty coverage begins the day your new ice machine is installed.

Important

Complete and mail the OWNER WARRANTY REGISTRATION CARD as soon as possible to validate the installation date.

If you do not return your OWNER WARRANTY REGISTRATION CARD, Manitowoc will use the date of sale to the Manitowoc Distributor as the first day of warranty coverage for your new ice machine.

Warranty Coverage

GENERAL

The following Warranty outline is provided for your convenience. For a detailed explanation, read the warranty bond shipped with each product.

Contact your local Manitowoc Distributor or Manitowoc Ice, Inc. if you need further warranty information.

Important

This product is intended exclusively for commercial application. No warranty is extended for personal, family, or household purposes.

PARTS

1. Manitowoc warrants the ice machine against defects in materials and workmanship, under normal use and service for three (3) years from the date of original installation.
2. The evaporator and compressor are covered by an additional two (2) year (five years total) warranty beginning on the date of the original installation.

LABOR

1. Labor required to repair or replace defective components is covered for three (3) years from the date of original installation.
2. The evaporator is covered by an additional two (2) year (five years total) labor warranty beginning on the date of the original installation.

EXCLUSIONS

The following items are not included in the ice machine's warranty coverage:

1. **Normal maintenance**, adjustments and cleaning.
2. Repairs due to unauthorized modifications to the ice machine or use of non-standard parts without prior written approval from Manitowoc Ice, Inc.
3. Damage caused by improper installation of the ice machine, electrical supply, water supply or drainage, or damage caused by floods, storms, or other acts of God.
4. **Premium labor rates** due to holidays, **overtime**, etc.; travel time; flat rate service call charges; mileage and miscellaneous tools and material charges not listed on the payment schedule. Additional labor charges resulting from the inaccessibility of equipment are also excluded.
5. Parts or assemblies subjected to misuse, abuse, neglect or accidents.
6. Damage or problems caused by installation, cleaning and/or maintenance procedures inconsistent with the technical instructions provided in this manual.
7. This product is intended exclusively for commercial application. No warranty is extended for personal, family, or household purposes.

AUTHORIZED WARRANTY SERVICE

To comply with the provisions of the warranty, a refrigeration service company qualified and authorized by a Manitowoc distributor, or a Contracted Service Representative must perform the warranty repair.

Section 2 Installation Instructions

General

Refer to Installation Manual for complete installation guidelines.

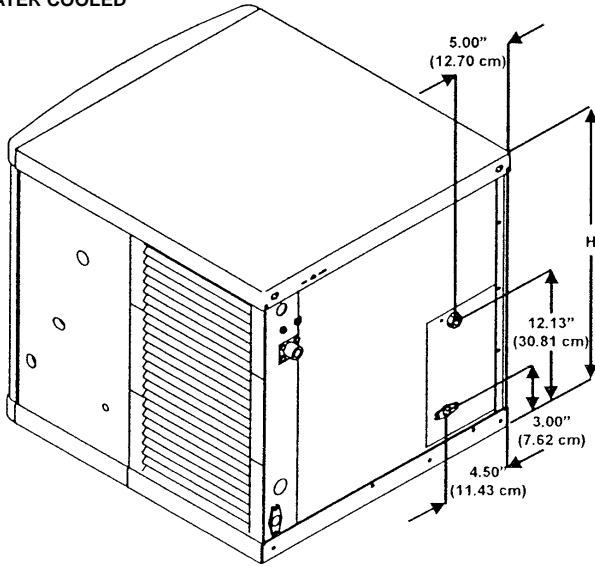
Important

Failure to follow these installation guidelines may affect warranty coverage.

Ice Machine Dimensions

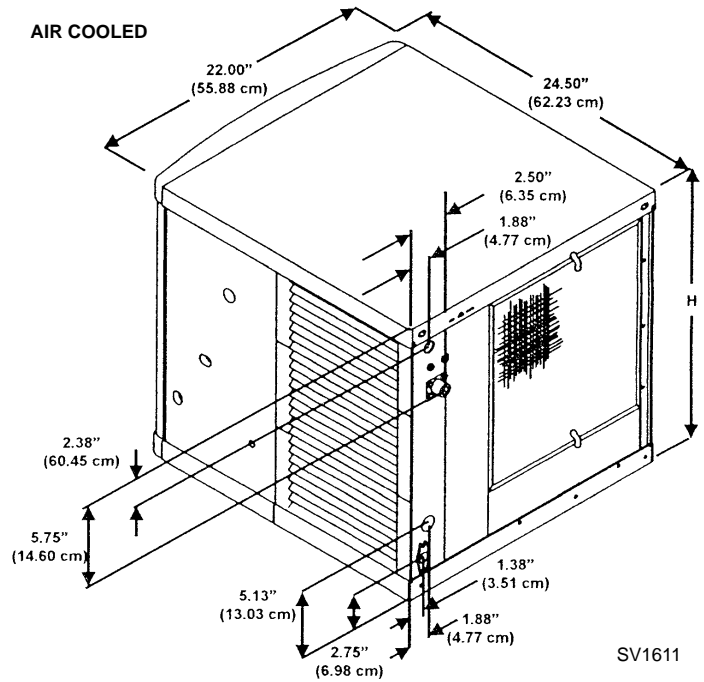
Q320/Q370/Q420 ICE MACHINES

WATER COOLED



SV1602

AIR COOLED

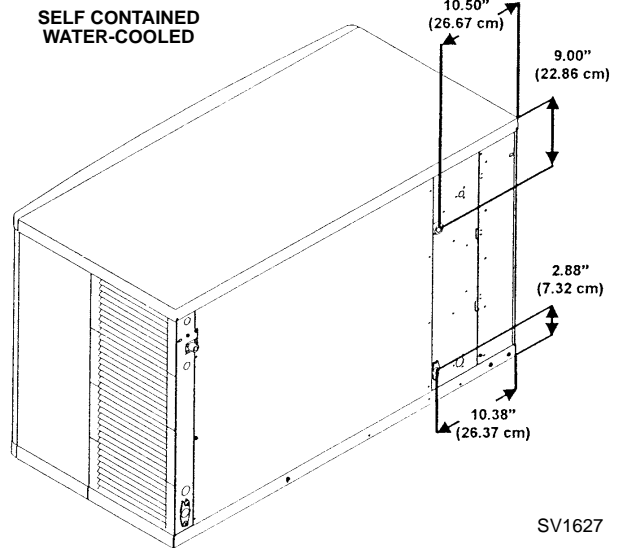
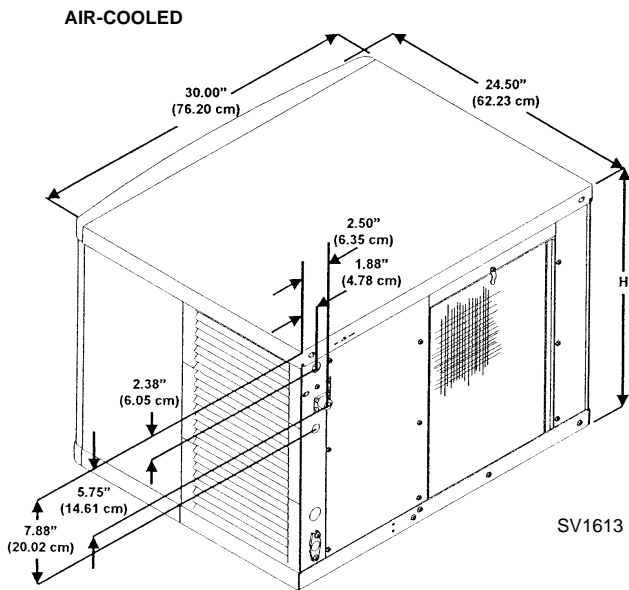
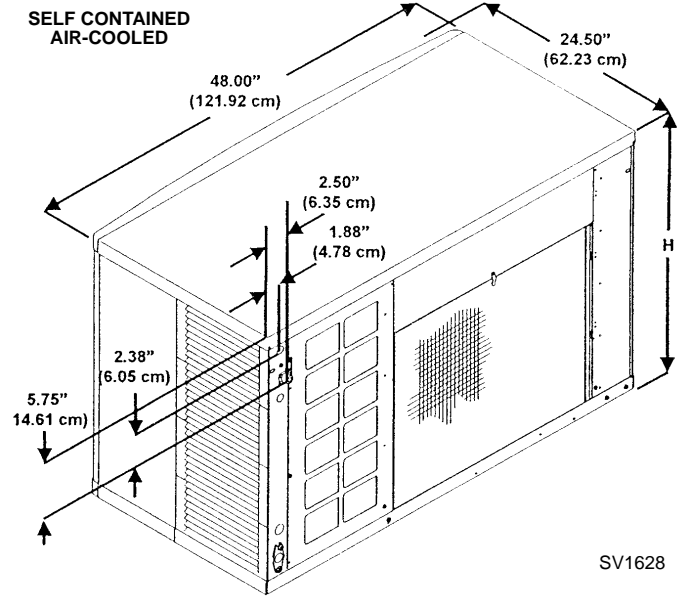
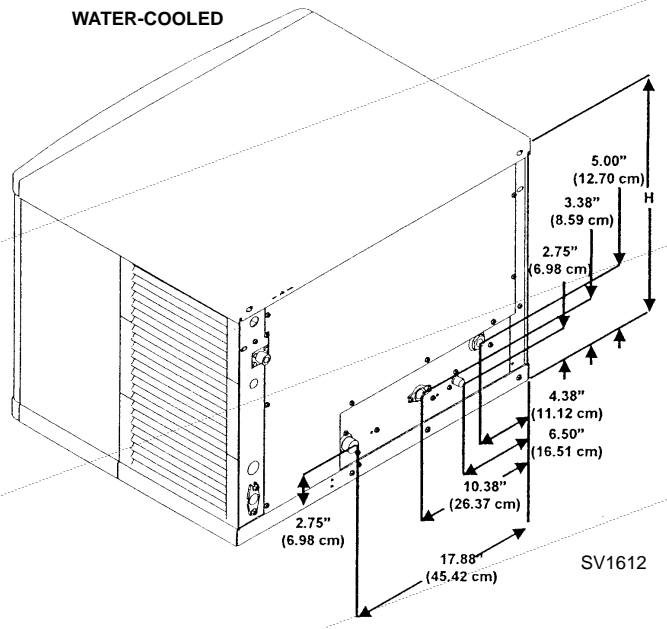


SV1611

| Ice Machine | Dimension H |
|-------------|-------------------|
| Q320 | 21.5 in (54.6 cm) |
| Q370 | 21.5 in (54.6 cm) |
| Q420 | 26.5 in (67.3 cm) |

Q280 – Q1000 ICE MACHINES

Q1300/Q1600/Q1800 ICE MACHINES

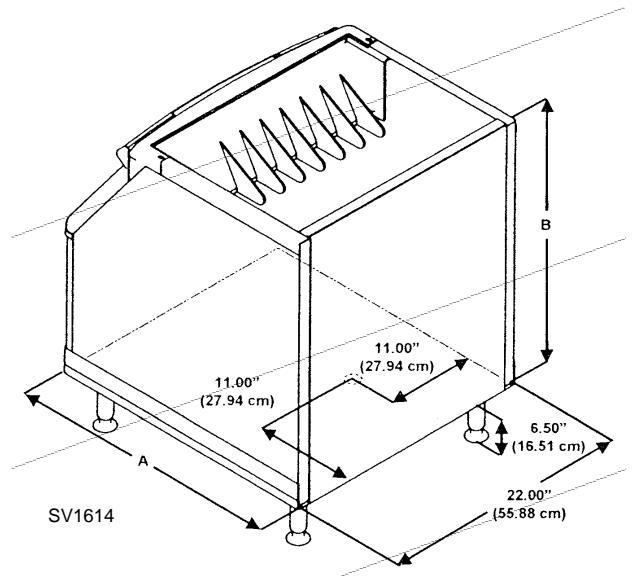
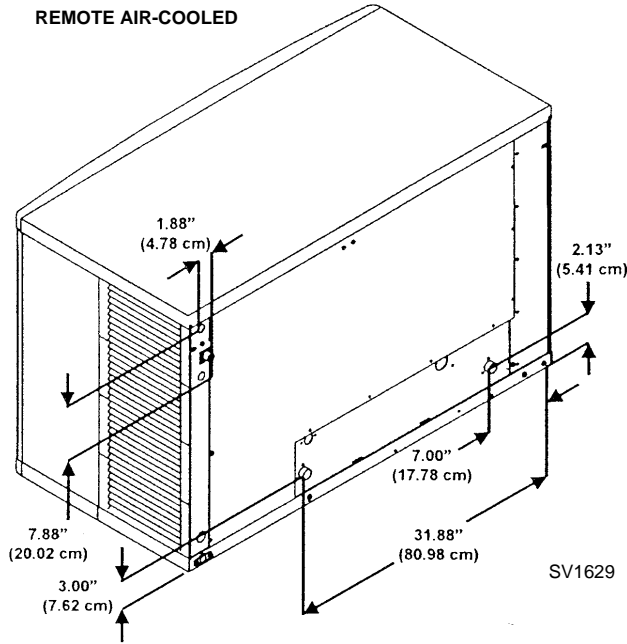


| Ice Machine | Dimension H |
|-------------|-------------------|
| Q200 – Q280 | 16.5 in (41.9 cm) |
| Q450 | 21.5 in (54.6 cm) |
| Q600 | 21.5 in (54.6 cm) |
| Q800 | 26.5 in (67.3 cm) |
| Q1000 | 29.5 in (74.9 cm) |

| Ice Machine | Dimension H |
|-------------|-------------------|
| Q1300/Q1600 | 29.5 in (74.9 cm) |
| Q1800 | 29.5 in (74.9 cm) |

Q1300/Q1600/Q1800 ICE MACHINES (CONT.)

S320/S420 ICE STORAGE BINS

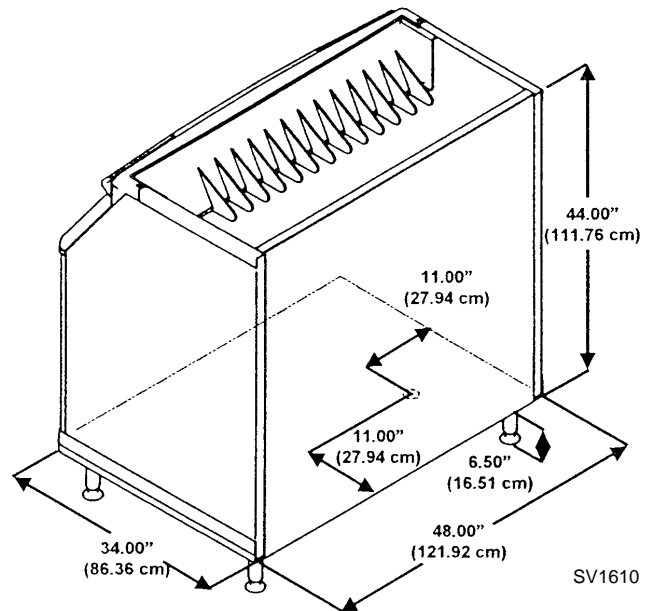
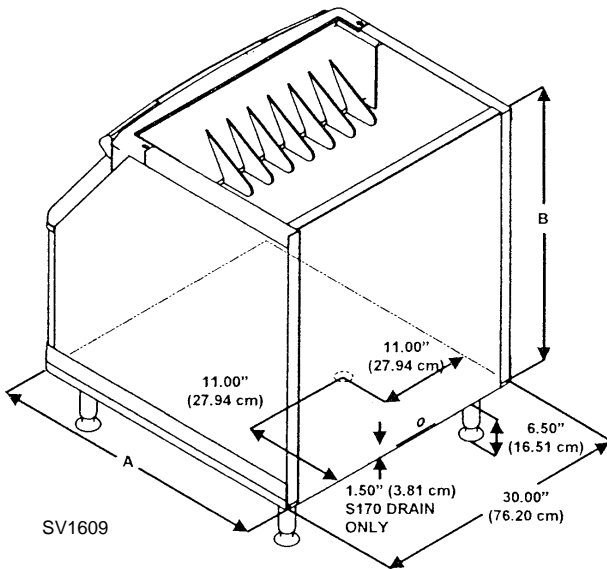


| Bin Model | Dimension A | Dimension B |
|-----------|-------------------|--------------------|
| S320 | 34.0 in (86.3 cm) | 32.0 in (81.3 cm) |
| S420 | 34.0 in (86.3 cm) | 44.0 in (111.7 cm) |

Ice Storage Bin Dimensions

S170/S400/S570 ICE STORAGE BINS

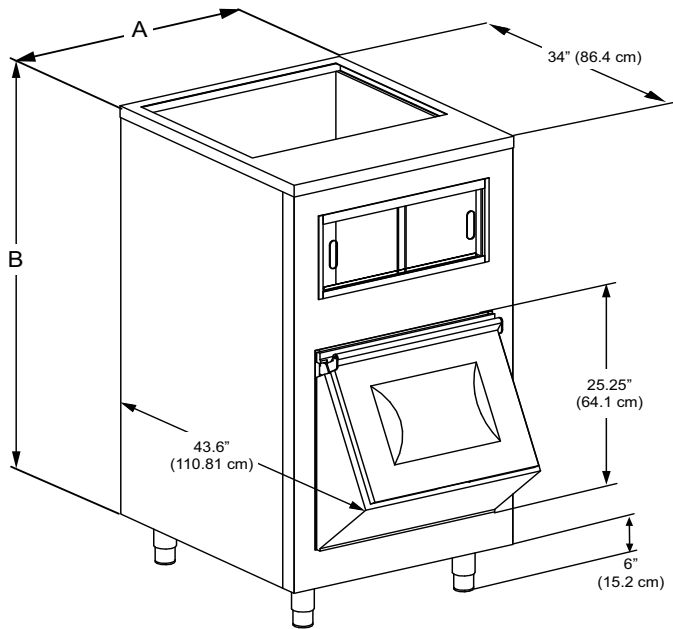
S970 ICE STORAGE BINS



| Bin Model | Dimension A | Dimension B |
|-----------|-------------------|--------------------|
| S170 | 29.5 in (74.9 cm) | 19.1 in (48.5 cm) |
| S400 | 34.0 in (86.3 cm) | 32.0 in (81.3 cm) |
| S570 | 34.0 in (86.3 cm) | 44.0 in (111.7 cm) |

Large Capacity Ice Storage Bin Dimensions

30 INCH (76 CM)



Warning

All Manitowoc ice machines require the ice storage system (bin, dispenser, etc.) to incorporate an ice deflector.

The Q1300, Q1600, Q1800 ice machines require adding Manitowoc Ice Deflector Kit K00139 when installing with non-Manitowoc ice storage systems.

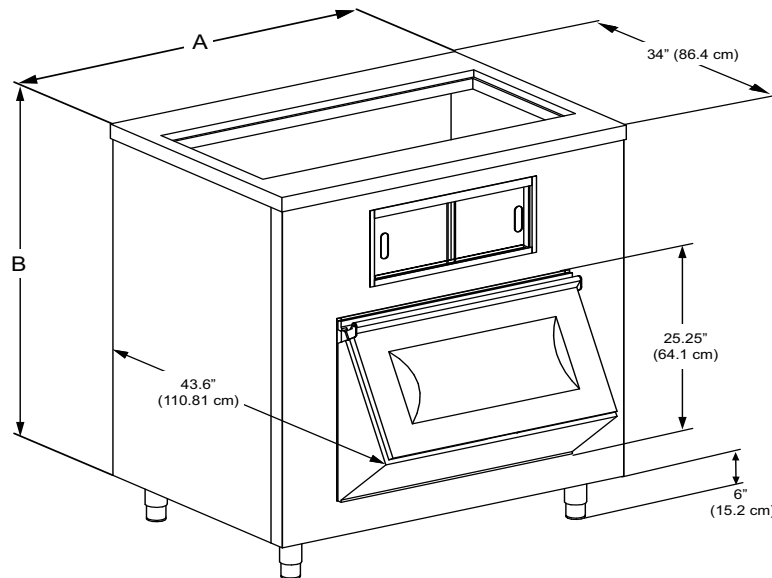
Prior to using a non-Manitowoc ice storage system with other Manitowoc ice machines, contact the manufacturer to assure their ice deflector is compatible with Manitowoc ice machines.

Caution

30" large capacity ice storage bins must be attached to the wall with the bracket provided with the bin.

| Bin Model | Dimension A (Width) | Dimension B (Height) |
|--|---------------------|----------------------|
| B750 | 30 in. (76.2 cm.) | 58 in. (147.3 cm.) |
| B1050 | 30 in. (76.2 cm.) | 78 in. (198.1 cm.) |
| The bin drain is exactly in the center of the bin. | | |

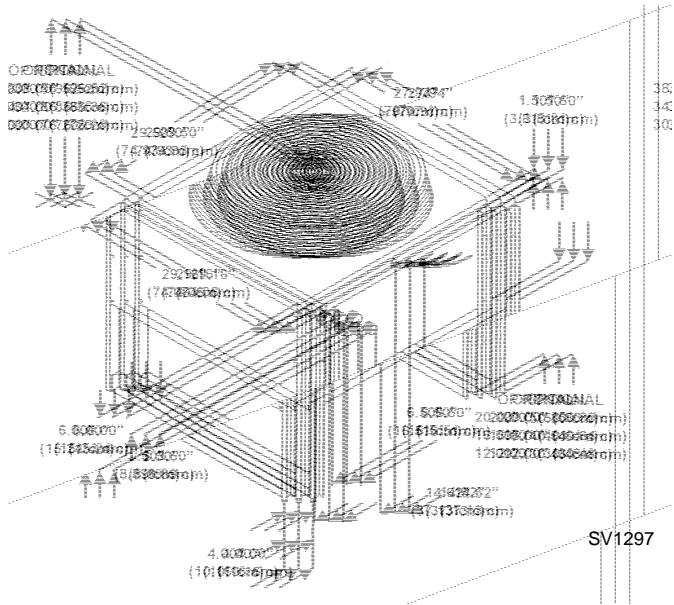
48 INCH (122 CM) & 60 INCH (152 CM)



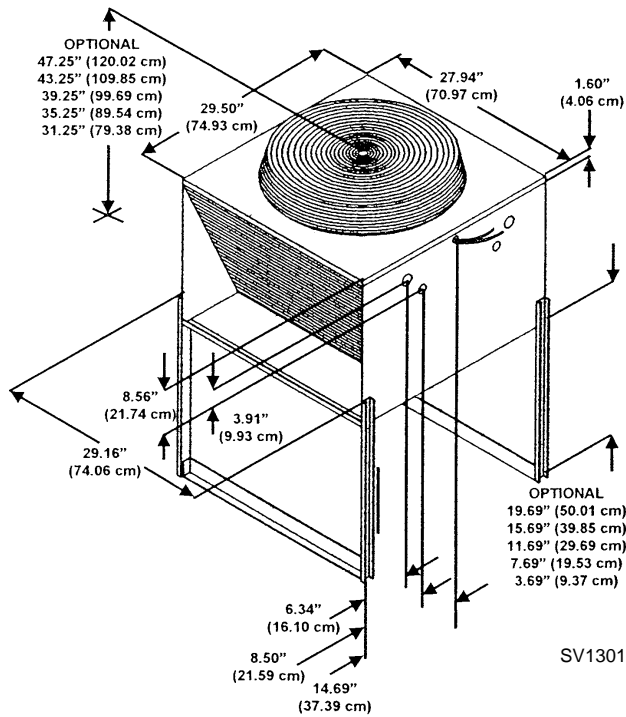
| Bin Model | Dimension A (Width) | Dimension B (Height) |
|--|---------------------|----------------------|
| B1100 | 48 in. (121.9 cm.) | 55.0 in. (139.7 cm.) |
| B1400 | 60 in. (152.4 cm.) | 55.0 in. (139.7 cm.) |
| The bin drain is exactly in the center of the bin. | | |

Remote Condenser Dimensions

JC0495/JC0895/JC1095/JC1395



JC1895



Location of Ice Machine

The location selected for the ice machine must meet the following criteria. If any of these criteria are not met, select another location.

- The location must be free of airborne and other contaminants.
- The air temperature must be at least 35°F (1.6°C), but must not exceed 110°F (43.4°C).
- The location must not be near heat-generating equipment or in direct sunlight.
- The location must not obstruct air flow through or around the ice machine. Refer to the chart below for clearance requirements.

| Q1300/Q1600/ Q1800 | Self-Contained Air-Cooled | Water-Cooled and Remote |
|-----------------------|------------------------------|----------------------------|
| Top/Sides | 24" (610 mm) | 8" (203 mm) |
| Back | 12" (305 mm) | 5" (127 mm) |

| Q370 | Self-Contained Air-Cooled | Water-Cooled |
|-----------|------------------------------|--------------|
| Top/Sides | 12" (305 mm) | 5" (127 mm) |
| Back | 5" (127 mm) | 5" (127 mm) |

| All other Q models | Self-Contained Air-Cooled | Water-Cooled and Remote |
|-----------------------|------------------------------|----------------------------|
| Top/Sides | 8" (203 mm) | 8" (203 mm) |
| Back | 5" (127 mm) | 5" (127 mm) |

There is no minimum clearance required. This value is recommended for efficient operation and servicing only. Q1600 is not available as an air-cooled model.

⚠ Caution

The ice machine must be protected if it will be subjected to temperatures below 32°F (0°C). Failure caused by exposure to freezing temperatures is not covered by the warranty. See "Removal from Service/Winterization".

Stacking Two Ice Machines on a Single Storage Bin

A stacking kit is required for stacking two ice machines. Installation instructions are supplied with the stacking kit.

| Q450/Q600/ Q800/Q1000 | Stacked Self-Contained Air-Cooled | Stacked Water-Cooled and Remote |
|--------------------------|---|---------------------------------------|
| Top/Sides | 16" (40.64 cm) | 5" (12.70 cm) |
| Back | 5" (12.70 cm) | 5" (12.70 cm) |
| Q1300/Q1600/ Q1800 | | |
| Top/Sides | 48" (121.92 cm) | 24" (60.96 cm) |
| Back | 12" (30.48 cm) | 12" (30.48 cm) |

There is no minimum clearance required. This value is recommended for efficient operation and servicing only. Q1600 is not available as an air-cooled model.

Ice Machine Heat of Rejection

| Series Ice Machine | Heat of Rejection | |
|------------------------------|-------------------|--------|
| | Air Conditioning | Peak |
| Q280 | 3,800 | 6,000 |
| Q320 | 4,600 | 6,200 |
| Q370 | 3,900 | 5,950 |
| Q420 | 7,000 | 9,600 |
| Q450 | 7,000 | 9,600 |
| Q600 | 9,000 | 13,900 |
| Q800 | 12,400 | 19,500 |
| Q1000 | 16,000 | 24,700 |
| Q1300 | 24,000 | 35,500 |
| Q1600 | 24,000 | 35,500 |
| Q1800 Before SN 110603336 | 36,000 | 50,000 |
| Q1800 After SN 110603337 | 24,000 | 36,000 |

B.T.U./Hour
Because the heat of rejection varies during the ice making cycle, the figure shown is an average.

Ice machines, like other refrigeration equipment, reject heat through the condenser. It is helpful to know the amount of heat rejected by the ice machine when sizing air conditioning equipment where self-contained air-cooled ice machines are installed.

This information is also necessary when evaluating the benefits of using water-cooled or remote condensers to reduce air conditioning loads. The amount of heat added to an air conditioned environment by an ice machine using a water-cooled or remote condenser is negligible.

Knowing the amount of heat rejected is also important when sizing a cooling tower for a water-cooled condenser. Use the peak figure for sizing the cooling tower.

Leveling the Ice Storage Bin

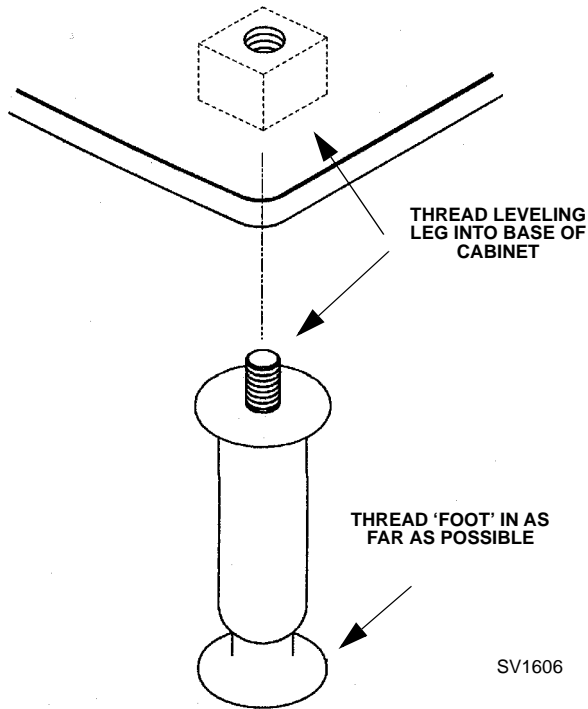
1. Screw the leveling legs onto the bottom of the bin.
2. Screw the foot of each leg in as far as possible.

⚠ Caution

The legs must be screwed in tightly to prevent them from bending.

3. Move the bin into its final position.
4. Level the bin to assure that the bin door closes and seals properly. Use a level on top of the bin. Turn each foot as necessary to level the bin.

NOTE: An optional caster assembly is available for use in place of the legs. Installation instructions are supplied with the casters.

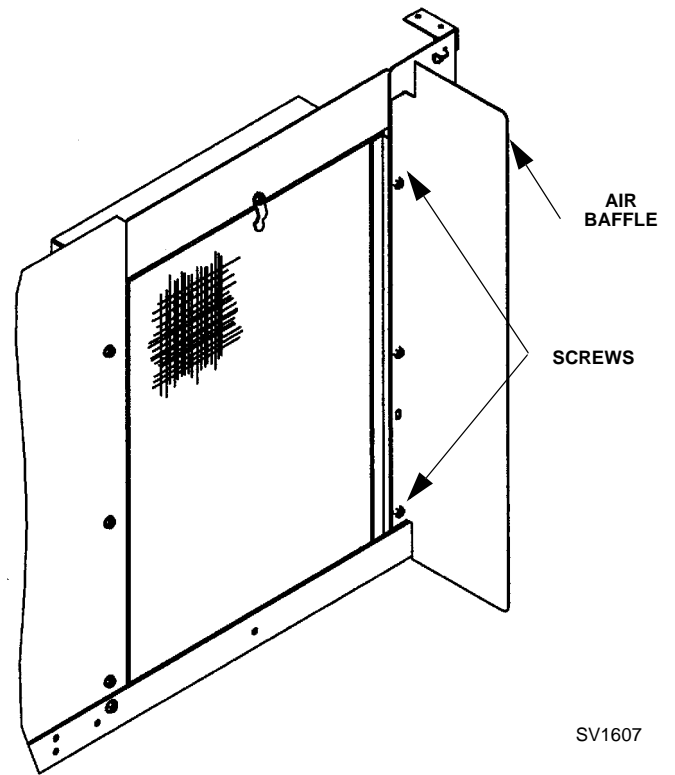


Leveling Leg and Foot

Air-Cooled Baffle

The air-cooled baffle prevents condenser air from recirculating. To install:

1. Remove the back panel screws next to the condenser.
2. Align the mounting holes in the air baffle with the screw holes and reinstall the screws.



Air Baffle

Electrical Service

GENERAL

 **Warning**

All wiring must conform to local, state and national codes.

VOLTAGE

The maximum allowable voltage variation is $\pm 10\%$ of the rated voltage at ice machine start-up (when the electrical load is highest).

 **Warning**

The ice machine must be grounded in accordance with national and local electrical codes.

FUSE/CIRCUIT BREAKER

A separate fuse/circuit breaker must be provided for each ice machine. Circuit breakers must be H.A.C.R. rated (does not apply in Canada).

MINIMUM CIRCUIT AMPACITY

The minimum circuit ampacity is used to help select the wire size of the electrical supply. (Minimum circuit ampacity is not the ice machine's running amp load.)

The wire size (or gauge) is also dependent upon location, materials used, length of run, etc., so it must be determined by a qualified electrician.

GROUND FAULT CIRCUIT INTERRUPTER

Ground Fault Circuit Interrupter (GFCI/GFI) protection is a system that shuts down the electric circuit (opens it) when it senses an unexpected loss of power, presumably to ground. Manitowoc Ice, Inc. does not recommend the use of a GFCI/GFI circuit protection with our equipment. If code requires the use of a GFCI/GFI then you must follow the local code. The circuit must be dedicated, sized properly and there must be a panel GFCI/GFI breaker. We do not recommend GFCI/GFI outlets as they are known for more intermittent nuisance trips than panel breakers.

Q320/370/420 Ice Machines

| Ice Machine | Voltage Phase Cycle | Air-Cooled | | Water Cooled | |
|-------------|---------------------------|----------------------------------|-------------------------|----------------------------------|-------------------------|
| | | Maximum Fuse/ Circuit Breaker | Minimum Circuit Amps | Maximum Fuse/ Circuit Breaker | Minimum Circuit Amps |
| Q320 | 115/1/60 | 15 | 11.2 | 15 | 10.5 |
| | 208-230/1/60 | 15 | 4.8 | 15 | 4.2 |
| | 230/1/50 | 15 | 5.2 | 15 | 4.7 |
| Q370 | 115/1/60 | 20 | 12.9 | 20 | 12.2 |
| | 208-230/1/60 | 15 | 6.2 | 15 | 5.8 |
| | 230/1/50 | 15 | 6.2 | 15 | 5.8 |
| Q420 | 115/1/60 | 20 | 12.3 | 20 | 11.4 |
| | 208-230/1/60 | 15 | 7.8 | 15 | 7.4 |
| | 230/1/50 | 15 | 6.3 | 15 | 5.9 |

Q280 - Q1000 Ice Machines

| Ice Machine | Voltage Phase Cycle | Air-Cooled | | Water Cooled | | Remote | |
|---------------------------------|---------------------------|------------------------------------|-------------------------|------------------------------------|-------------------------|------------------------------------|-------------------------|
| | | Maximum Fuse/Circuit Breaker | Minimum Circuit Amps | Maximum Fuse/Circuit Breaker | Minimum Circuit Amps | Maximum Fuse/Circuit Breaker | Minimum Circuit Amps |
| Q280 | 115/1/60 | 20 | 12.6 | 20 | 11.7 | N/A | N/A |
| | 208-230/1/60 | 15 | 5.7 | 15 | 5.2 | N/A | N/A |
| | 230/1/50 | 15 | 5.7 | 15 | 5.2 | N/A | N/A |
| Q450 | 115/1/60 | 20 | 12.8 | 20 | 11.9 | 20 | 13.6 |
| | 208-230/1/60 | 15 | 7.8 | 15 | 7.4 | N/A | N/A |
| | 230/1/50 | 15 | 6.1 | 15 | 5.7 | N/A | N/A |
| Q600 | 208-230/1/60 | 15 | 9.2 | 15 | 8.7 | 15 | 9.3 |
| | 230/1/50 | 15 | 9.2 | 15 | 8.8 | 15 | 9.4 |
| Q800 | 208-230/1/60 | 20 | 12.1 | 20 | 11.4 | 20 | 11.9 |
| | 208-230/3/60 | 15 | 8.9 | 15 | 8.2 | 15 | 8.9 |
| | 230/1/50 | 20 | 12.0 | 20 | 10.6 | 20 | 11.2 |
| Q1000 | 208-230/1/60 | 20 | 14.3 | 20 | 13.2 | 20 | 14.2 |
| | 208-230/3/60 | 15 | 9.8 | 15 | 8.8 | 15 | 9.9 |
| | 230/1/50 | 20 | 15.6 | 20 | 14.2 | 20 | 14.6 |
| Q1300 | 208-230/1/60 | 30 | 19.5 | 30 | 18.1 | 30 | 19.8 |
| | 208-230/3/60 | 20 | 13.1 | 20 | 11.6 | 20 | 12.7 |
| | 230/1/50 | 30 | 15.7 | 30 | 14.3 | 30 | 14.7 |
| | 380-415/3/50 | N/A | N/A | N/A | N/A | 15 | 7.3 |
| Q1600 | 208-230/1/60 | N/A | N/A | 30 | 17.2 | 30 | 18.2 |
| | 208-230/3/60 | N/A | N/A | 20 | 11.0 | 20 | 12.0 |
| | 230/1/50 | N/A | N/A | N/A | N/A | N/A | N/A |
| | 380-415/3/50 | N/A | N/A | N/A | N/A | N/A | N/A |
| Q1800 Before SN 110603336 | 208-230/1/60 | 40 | 28.1 | 40 | 26.7 | 40 | 26.9 |
| | 208-230/3/60 | 20 | 15.5 | 20 | 14.1 | 20 | 13.9 |
| | 230/1/50 | 40 | 23.3 | 40 | 21.9 | 40 | 22.2 |
| | 380-415/3/50 | N/A | N/A | N/A | N/A | 15 | 9.1 |
| Q1800 After SN 110603336 | 208-230/1/60 | N/A | N/A | 40 | 22.1 | 40 | 23.1 |
| | 208-230/3/60 | N/A | N/A | 20 | 12.0 | 20 | 13.0 |
| | 230/1/50 | N/A | N/A | 40 | 20.5 | 40 | 21.5 |

Self-Contained Electrical Wiring Connections

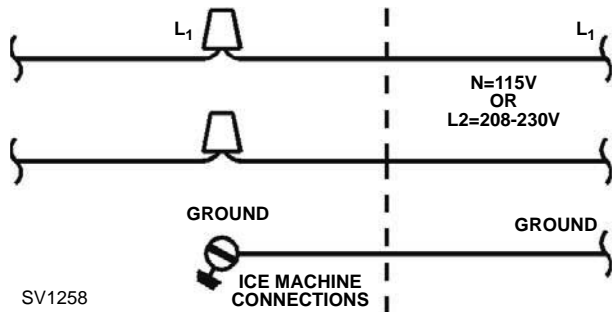
Warning

These diagrams are not intended to show proper wire routing, wire sizing, disconnects, etc., only the correct wire connections.

All electrical work, including wire routing and grounding, must conform to local, state and national electrical codes.

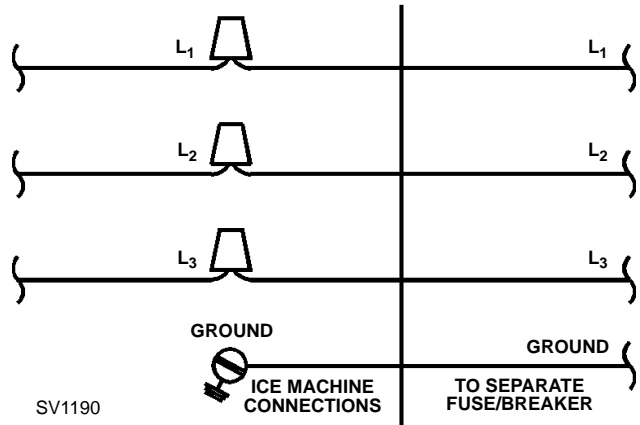
Though wire nuts are shown in the drawings, the ice machine field wiring connections may use either wire nuts or screw terminals.

**SELF CONTAINED ICE MACHINE
115/1/60 OR 208-230/1/60**



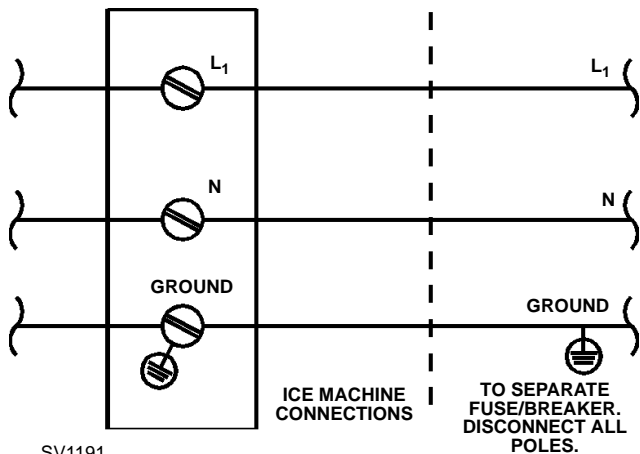
SV1258

**SELF CONTAINED ICE MACHINE
208-230/3/60**



SV1190


**SELF CONTAINED ICE MACHINE
230/1/50**



SV1191

For United Kingdom Only

As the colours of the wires in the mains lead of the appliance may not correspond with the coloured markings identifying the terminals in your plug, proceed as follows:

- The wire which is coloured green and yellow must be connected to the terminal in the plug which is marked with the letter E or by the earth ground symbol  or coloured green or green and yellow.
- The wire coloured blue must be connected to the terminal which is marked with the letter N or coloured black.
- The wire coloured brown must be connected to the terminal which is marked with the letter L or coloured red.

Remote Electrical Wiring Connections

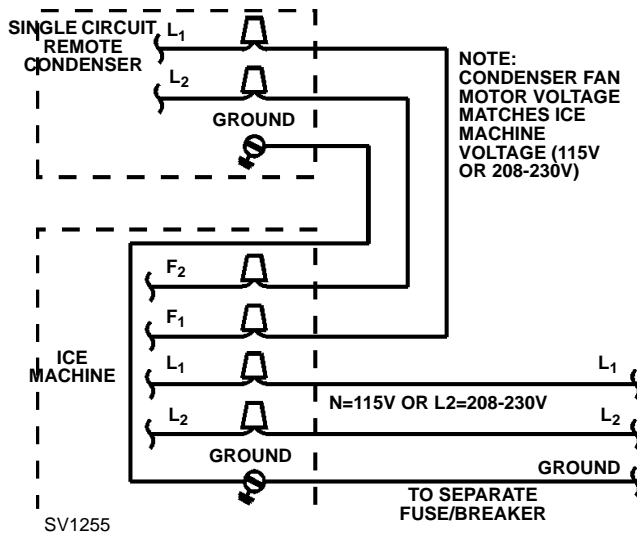
Warning

These diagrams are not intended to show proper wire routing, wire sizing, disconnects, etc., only the correct wire connections.

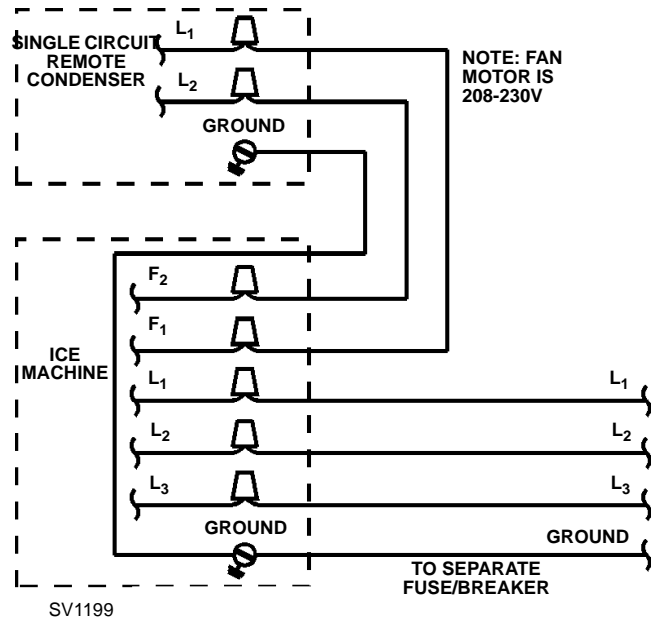
All electrical work, including wire routing and grounding, must conform to local, state and national electrical codes.

Though wire nuts are shown in the drawings, the ice machine field wiring connections may use either wire nuts or screw terminals.

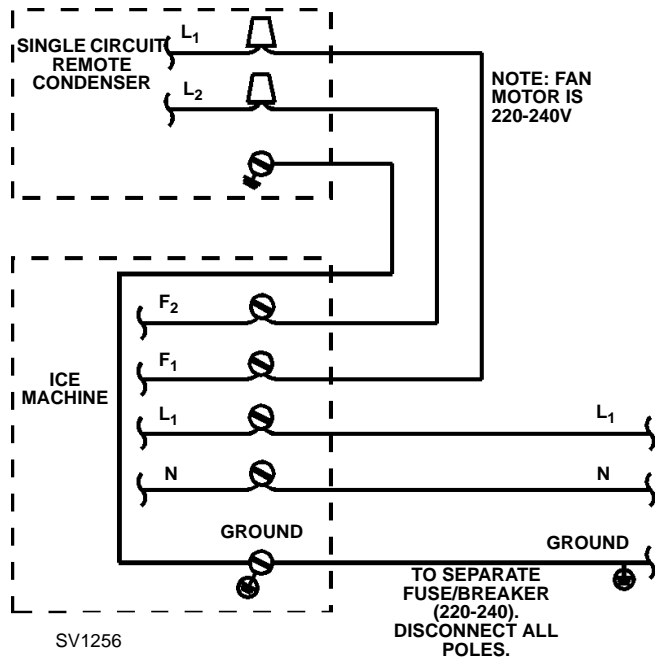
REMOTE ICE MACHINE WITH SINGLE CIRCUIT MODEL CONDENSER 115/1/60 OR 208-230/1/60



REMOTE ICE MACHINE WITH SINGLE CIRCUIT MODEL CONDENSER 208-230/3/60 OR 380-415/3/50



REMOTE ICE MACHINE WITH SINGLE CIRCUIT MODEL CONDENSER 230/1/50



Water Supply and Drain Requirements

WATER SUPPLY

Local water conditions may require treatment of the water to inhibit scale formation, filter sediment, and remove chlorine odor and taste.

Important

If you are installing a Manitowoc water filter system, refer to the Installation Instructions supplied with the filter system for ice making water inlet connections.

WATER INLET LINES

Follow these guidelines to install water inlet lines:

- Do not connect the ice machine to a hot water supply. Be sure all hot water restrictors installed for other equipment are working. (Check valves on sink faucets, dishwashers, etc.)
- If water pressure exceeds the maximum recommended pressure, obtain a water pressure regulator from your Manitowoc distributor.
- Install a water shut-off valve for both the ice making and condenser water lines.
- Insulate water inlet lines to prevent condensation.

DRAIN CONNECTIONS

Follow these guidelines when installing drain lines to prevent drain water from flowing back into the ice machine and storage bin:

- Drain lines must have a 1.5 inch drop per 5 feet of run (2.5 cm per meter), and must not create traps.
- The floor drain must be large enough to accommodate drainage from all drains.
- Run separate bin and ice machine drain lines. Insulate them to prevent condensation.
- Vent the bin and ice machine drain to the atmosphere. Do not vent the condenser drain on water-cooled models.

Cooling Tower Applications (Water-Cooled Models)

A water cooling tower installation does not require modification of the ice machine. The water regulator valve for the condenser continues to control the refrigeration discharge pressure.

It is necessary to know the amount of heat rejection, and the pressure drop through the condenser and water valves (inlet and outlet) when using a cooling tower on an ice machine.

- Water entering the condenser must not exceed 90°F (32.2°C).
- Water flow through the condenser must not exceed 5 gallons (19 liters) per minute.
- Allow for a pressure drop of 7 psi (48 kPa) between the condenser water inlet and the outlet of the ice machine.
- Water exiting the condenser must not exceed 110°F (43.3°C).

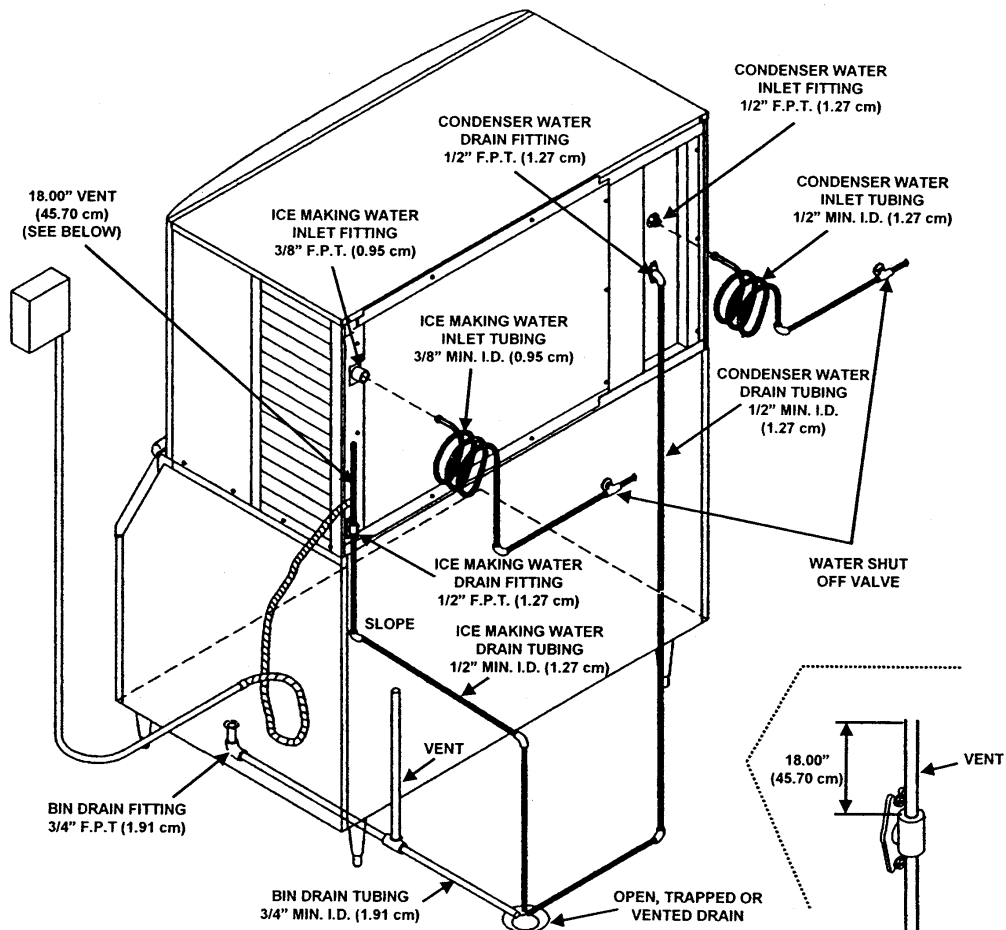
Important

The Commonwealth of Massachusetts requires that all water-cooled models must be connected only to a closed loop, cooling tower system.

WATER SUPPLY AND DRAIN LINE SIZING/CONNECTIONS

⚠ Caution
Plumbing must conform to state and local codes.

| Location | Water Temperature | Water Pressure | Ice Machine Fitting | Tubing Size Up to Ice Machine Fitting |
|---------------------------------|---|--|---|--|
| Ice Making Water Inlet | 33°F (0.6°C) Min. 90°F (32.2°C) Max. | 20 psi (137.9 kPA) Min. 80 psi (551.5 kPA) Max. | 3/8" Female Pipe Thread | 3/8" (9.5 mm) minimum inside diameter |
| Ice Making Water Drain | --- | --- | 1/2" Female Pipe Thread | 1/2" (12.7 mm) minimum inside diameter |
| Condenser Water Inlet | 33°F (0.6°C) Min. 90°F (32.2°C) Max. | 20 psi (137.9 kPA) Min. 150 psi (1034.2 kPA) Max. | Q1300/Q1600/Q1800 - 1/2" Female Pipe Thread All Others - 3/8" Female Pipe Thread | |
| Condenser Water Drain | --- | --- | 1/2" Female Pipe Thread | 1/2" (12.7 mm) minimum inside diameter |
| Bin Drain | --- | --- | 3/4" Female Pipe Thread | 3/4" (19.1 mm) minimum inside diameter |
| Large Capacity Bin Drain | --- | --- | 1" Female Pipe Thread | 1" (25.4 mm) min. inside diameter |



Typical Water Supply Drain Installation

SV1626

Remote Condenser/Line Set Installation

| Ice Machine | Remote Single Circuit Condenser | Line Set* |
|-------------|---------------------------------|---|
| Q490 | JC0495 | RT-20-R404A RT-35-R404A RT-50-R404A |
| Q690 | JC0895 | |
| Q890 | | |
| Q1090 | JC1095 | RL-20-R404A RL-35-R404A RL-50-R404A |
| Q1390 | JC1395 | |
| Q1690 | JC1695 | |
| Q1890 | JC1895 | |

| *Line Set | Discharge Line | Liquid Line |
|-----------|----------------|----------------|
| RT | 1/2" (12.7 mm) | 5/16" (7.9 mm) |
| RL | 1/2" (12.7 mm) | 3/8" (9.5 mm) |

| Air Temperature Around the Condenser | |
|--------------------------------------|--------------|
| Minimum | Maximum |
| -20°F (-28.9°C) | 120°F (49°C) |

REMOTE ICE MACHINES REFRIGERANT CHARGE

Each remote ice machine ships from the factory with a refrigerant charge appropriate for installation with line


sets of up to 50' (15.25 m). The serial tag on the ice machine indicates the refrigerant charge.

Additional refrigerant may be required for installations using line sets between 50' and 100' (15.25-30.5 m) long. If additional refrigerant is required, an additional label located next to the Model/Serial Numbers decal states the amount of refrigerant to be added.

| IMPORTANT EPA CERTIFIED TECHNICIANS |
|--|
| If remote line set length is between 50' and 100' (15.25-30.5 m), add 1.5 lb. (24 oz) (0.68 kg) of refrigerant to the nameplate charge. |
| Tubing length: _____ |
| Refrigerant added to nameplate: _____ |
| New total refrigerant charge: _____ |

Typical Additional Refrigerant Label

If there is no additional label, the nameplate charge is sufficient for line sets up to 100' (30.5 m). (See the chart below.)

|  Warning Potential Personal Injury Situation |
|--|
| The ice machine contains refrigerant charge. Installation of the line sets must be performed by a properly trained and EPA certified refrigeration technician aware of the dangers of dealing with refrigerant charged equipment. |

| Ice Machine | Nameplate Charge (Charge Shipped in Ice Machine) | Refrigerant to be Added for 50'-100' Line Sets | Maximum System Charge (Never Exceed) |
|------------------------------|---|---|---|
| Q490 | 6 lb. (96 oz.) | None | 6 lb. (96 oz.) |
| Q690 | 8 lb. (128 oz.) | None | 8 lb. (128 oz.) |
| Q890 | 8 lb. (128 oz.) | None | 8 lb. (128 oz.) |
| Q1090 | 9.5 lb. (152 oz.) | None | 9.5 lb. (152 oz.) |
| Q1390 | 12.5 lb. (200 oz.) | 1.5 lb. (24 oz) | 14 lb. (224 oz.) |
| Q1690 | 15 lb. (240 oz.) | 2.0 lb. (32 oz) | 17 lb. (272 oz.) |
| Q1890 Before SN 110603336 | 15 lb. (240 oz.) | 2.0 lb. (32 oz) | 17 lb. (272 oz.) |
| Q1890 After SN 11060337 | 16 lb. (256 oz.) | 2.0 lb. (32 oz) | 18 lb. (288 oz.) |

GENERAL

Condensers must be mounted horizontally with the fan motor on top.

Remote condenser installations consist of vertical and horizontal line sets between the ice machine and the condenser. When combined, they must fit within approved specifications. The following guidelines, drawings and calculation methods must be followed to verify a proper remote condenser installation.

⚠ Caution

The 60 month compressor warranty (including the 36 month labor replacement warranty) will not apply if the remote ice machine is not installed according to specifications.

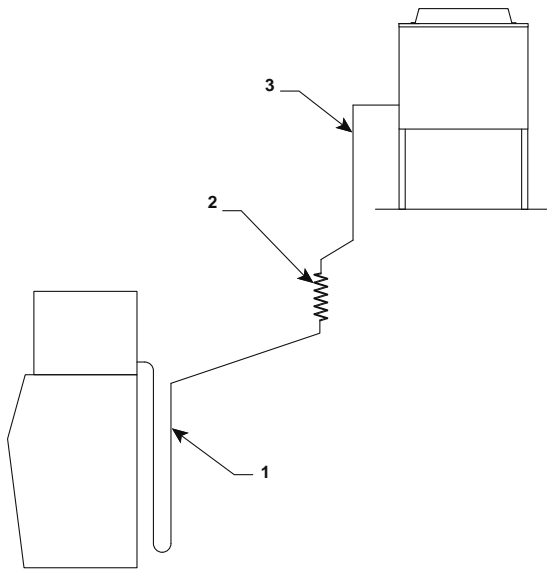
This warranty also will not apply if the refrigeration system is modified with a condenser, heat reclaim device, or other parts or assemblies not manufactured by Manitowoc Ice, Inc., unless specifically approved in writing by Manitowoc Ice, Inc.

GUIDELINES FOR ROUTING LINE SETS

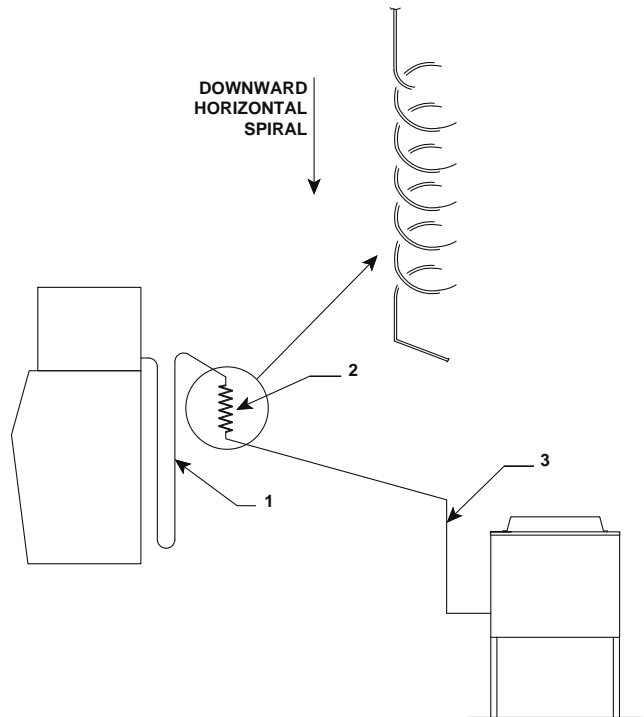
First, cut a 2.5" (63.5 mm) circular hole in the wall or roof for tubing routing. The line set end with the 90° bend will connect to the ice machine. The straight end will connect to the remote condenser.

Follow these guidelines when routing the refrigerant lines. This will help insure proper performance and service accessibility.

1. Optional - Make the service loop in the line sets (See below). This permits easy access to the ice machine for cleaning and service. Do not use hard rigid copper at this location.
2. Required - Do not form traps in the refrigeration lines (except the service loop). Refrigerant oil must be free to drain toward the ice machine or the condenser. Route excess tubing in a supported downward horizontal spiral (See below). Do not coil tubing vertically.
3. Required - Keep outdoor refrigerant line runs as short as possible.



SV1204



Routing Line Sets

CALCULATING REMOTE CONDENSER INSTALLATION DISTANCES

Line Set Length

The maximum length is 100' (30.5 m).

The ice machine compressor must have the proper oil return. The receiver is designed to hold a charge sufficient to operate the ice machine in ambient temperatures between -20°F (-28.9°C) and 120°F (49°C), with line set lengths of up to 100' (30.5 m).

Line Set Rise/Drop

The maximum rise is 35' (10.7 m).

The maximum drop is 15' (4.5 m).

⚠ Caution

If a line set has a rise followed by a drop, another rise cannot be made. Likewise, if a line set has a drop followed by a rise, another drop cannot be made.

Make the following calculations to make sure the line set layout is within specifications.

1. Insert the **measured rise** into the formula below. Multiply by 1.7 to get the **calculated rise**.
(Example: A condenser located 10 feet above the ice machine has a **calculated rise** of 17 feet.)
2. Insert the **measured drop** into the formula below. Multiply by 6.6 to get the **calculated drop**.
(Example. A condenser located 10 feet below the ice machine has a **calculated drop** of 66 feet.)
3. Insert the **measured horizontal distance** into the formula below. No calculation is necessary.
4. Add together the **calculated rise**, **calculated drop**, and **horizontal distance** to get the **total calculated distance**. If this total exceeds 150' (45.7 m), move the condenser to a new location and perform the calculations again.

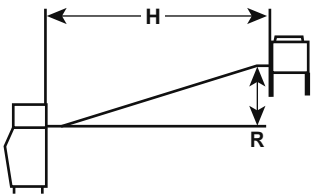
Calculated Line Set Distance

The maximum distance is 150' (45.7 m).

Line set rises, drops, horizontal runs (or combinations of these) in excess of the stated maximums will exceed compressor start-up and design limits. This will cause poor oil return to the compressor.

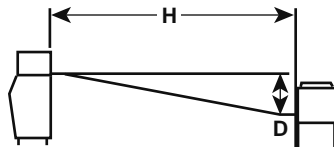
Maximum Line Set Distance Formula

| | | | | | |
|---------|--|-------------|---|-------|---------------------------|
| Step 1. | Measured Rise (35' [10.7 m] Maximum) | _____ x 1.7 | = | _____ | Calculated Rise |
| Step 2. | Measured Drop (15' [4.5 m] Maximum) | _____ x 6.6 | = | _____ | Calculated Drop |
| Step 3. | Measured Horizontal Distance (100' [30.5 m] Maximum) | | | _____ | Horizontal Distance |
| Step 4. | Total Calculated Distance 150' (45.7 m) | | | _____ | Total Calculated Distance |



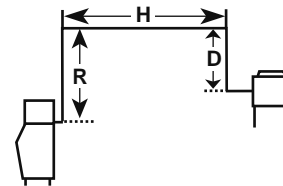
SV1196

Combination of a Rise and a Horizontal Run



SV1195

Combination of a Drop and a Horizontal Run



SV1194

Combination of a Rise, a Drop and a Horizontal Run

LENGTHENING OR REDUCING LINE SET LENGTHS

In most cases, by routing the line set properly, shortening will not be necessary. When shortening or lengthening is required, do so before connecting the line set to the ice machine or the remote condenser. This prevents the loss of refrigerant in the ice machine or condenser.

The quick connect fittings on the line sets are equipped with Schraeder valves. Use these valves to recover any vapor charge from the line set. When lengthening or shortening lines, follow good refrigeration practices and insulate new tubing. Do not change the tube sizes. Evacuate the lines and place about 5 oz (143g) of vapor refrigerant charge in each line.

CONNECTING A LINE SET

1. Remove the dust caps from the line set, condenser and ice machine.
2. Apply refrigeration oil to the threads on the quick disconnect couplers before connecting them to the condenser.
3. Carefully thread the female fitting to the condenser or ice machine by hand.
4. Tighten the couplings with a wrench until they bottom out.
5. Turn an additional 1/4 turn to ensure proper brass-to-brass seating. Torque to the following specifications:

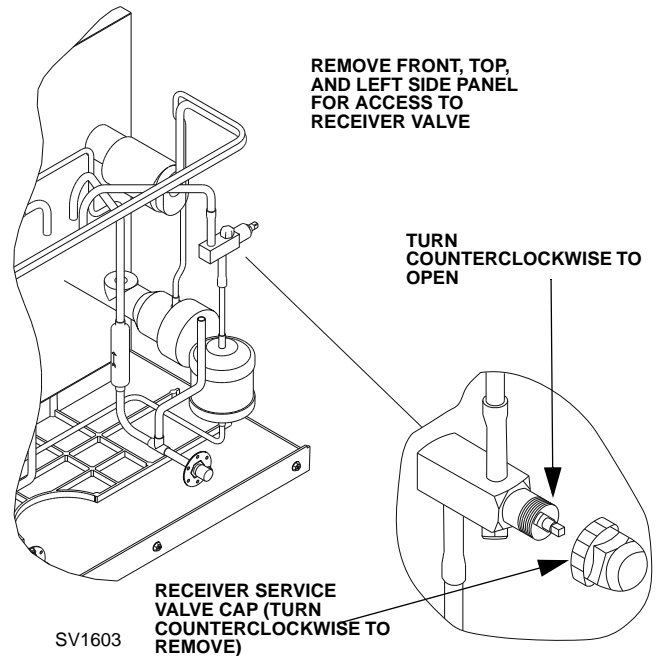
| Liquid Line | Discharge Line |
|---------------------------------|---------------------------------|
| 10-12 ft lb. (13.5-16.2 N•m) | 35-45 ft lb. (47.5-61.0 N•m) |

6. Check all fittings for leaks.

REMOTE RECEIVER SERVICE VALVE

The receiver service valve is closed during shipment. Open the valve prior to starting the ice machine.

1. Remove the top and left side panels.
2. Remove the receiver service valve cap.
3. Backseat (open) the valve.
4. Reinstall the cap and panels.



Backseating the Receiver Service Valve

Remote Ice Machine Usage with Non-Manitowoc Multi-Circuit Condensers

WARRANTY

The sixty (60) month compressor warranty, including thirty six (36) month labor replacement warranty, **shall not apply** when the remote ice machine is not installed within the remote specifications. The foregoing warranty shall not apply to any ice machine installed and/or maintained inconsistent with the technical instructions provided by Manitowoc Ice, Inc. Performance may vary from Sales specifications. Q-Model ARI certified standard ratings only apply when used with a Manitowoc remote condenser.

If the design of the condenser meets the specifications, Manitowoc's only approval is for full warranty coverage to be extended to the Manitowoc manufactured part of the system. Since Manitowoc does not test the condenser in conjunction with the ice machine, Manitowoc will not endorse, recommend, or approve the condenser, and will not be responsible for its performance or reliability.

Important

Manitowoc warrants only complete new and unused remote packages. Guaranteeing the integrity of a new ice machine under the terms of our warranty prohibits the use of pre-existing (used) tubing or condensers.

HEAD PRESSURE CONTROL VALVE

Any remote condenser connected to a Manitowoc Q- Model Ice Machine must have a head pressure control valve #836809-3 (available from Manitowoc Distributors) installed on the condenser package. Manitowoc **will not accept** substitute "off the shelf" head pressure control valves.

Caution

Do not use a fan cycling control to try to maintain discharge pressure. Compressor failure will result.

FAN MOTOR

The condenser fan must be **on** during the complete ice machine freeze cycle (do not cycle on fan cycle control). The ice maker has a condenser fan motor circuit for use with a Manitowoc condenser. It is recommended that this circuit be used to control the condenser fan(s) on the multi-circuit condenser to assure it is on at the proper time. **Do not exceed the rated amps for the fan motor circuit listed on the ice machine's serial tag.**

INTERNAL CONDENSER VOLUME

The multi-circuit condenser internal volume must not be less than or exceed that used by Manitowoc (see chart on next page). **Do not exceed internal volume and try to add charge to compensate, as compressor failure will result.**

CONDENSER ΔT

ΔT is the difference in temperature between the condensing refrigerant and entering air. The ΔT should be 15 to 20°F (-9.4 to -6.6°C) at the beginning of the freeze cycle (peak load conditions) and drop down to 12 to 17°F (-11.1 to -8.3°C) during the last 75% of the freeze cycle (average load conditions).

REFRIGERANT CHARGE

Remote ice machines have the serial plate refrigerant charge (total system charge) located in the ice maker section. (Remote condensers and line sets are supplied with only a vapor charge.)

Caution

Never add more than nameplate charge to ice machine for any application.

QUICK CONNECT FITTINGS

The ice machine and line sets come with quick connect fittings. It is recommended that matching quick connects (available through Manitowoc Distributors) be installed in the multi-circuit condenser, and that a vapor "holding" charge (5 oz.) of proper refrigerant be added to the condenser prior to connection of the ice machine or line set to the condenser.

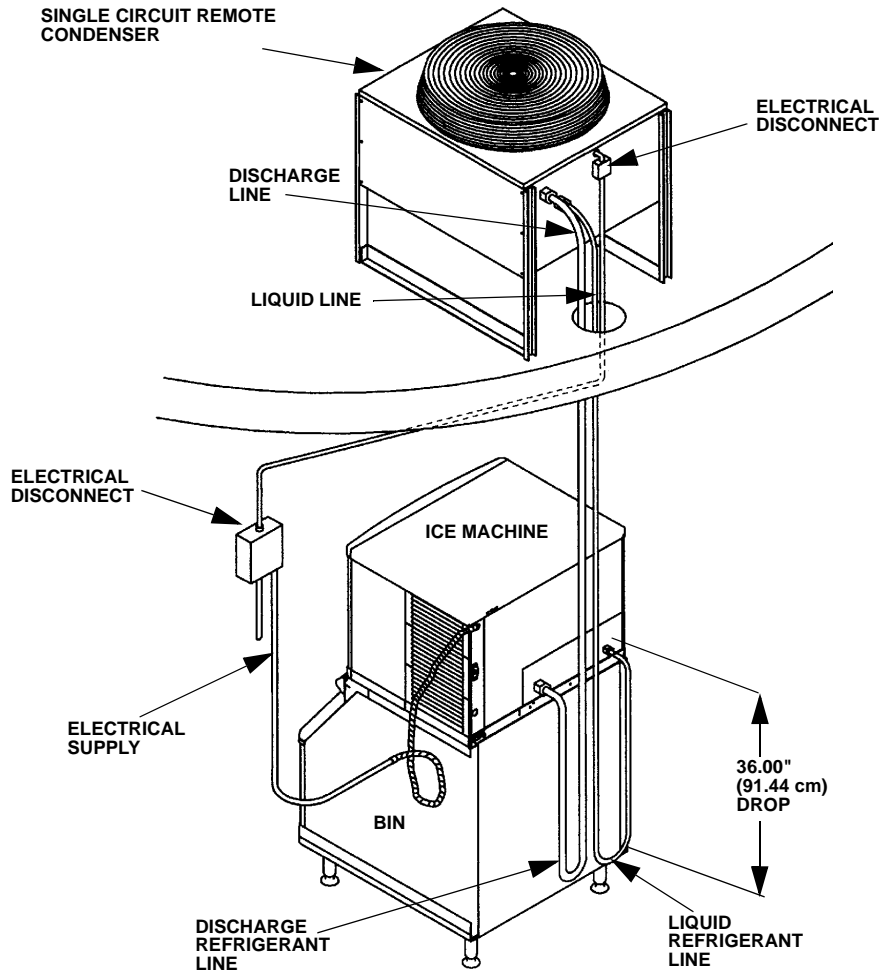
NON-MANITOWOC MULTI-CIRCUIT CONDENSER SIZING CHART

| Ice Machine Model | Refrigerant | | Heat of Rejection | | Internal Condenser Volume (cu ft) | | Design Pressure | Quick Connect Stubs-Male Ends | | Head Pressure Control Valve |
|-------------------|-------------|----------------------|-------------------|-------------|-----------------------------------|-------|--------------------------------|-------------------------------|-------------------------------|-----------------------------|
| | Type | Charge | Average Btu/hr | Peak Btu/hr | Min | Max | | Discharge | Liquid | |
| Q450 | R-404A | 6 lbs. | 7,000 | 9,600 | 0.020 | 0.035 | 500 psig safe working pressure | coupling P/N 83-6035-3 | coupling P/N 83-6034-3 | Manitowoc P/N 83-6809-3 |
| Q600 | R-404A | 8 lbs. | 9,000 | 13,900 | 0.045 | 0.060 | | | | |
| Q800 | R-404A | 8 lbs. | 12,400 | 19,500 | 0.045 | 0.060 | | | | |
| Q1000 | R-404A | 9.5 lbs. | 16,000 | 24,700 | 0.065 | 0.085 | 2,500 psig burst pressure | mounting flange P/N 83-6006-3 | mounting flange P/N 83-6005-3 | no substitutes |
| Q1300 | R-404A | 14 lbs. ¹ | 24,000 | 35,500 | 0.085 | 0.105 | | | | |
| Q1600 | R-404A | 17 lbs. ¹ | 24,000 | 35,500 | 0.130 | 0.170 | | | | |
| Q1800* | R-404A | 17 lbs. ¹ | 36,000 | 50,000 | 0.130 | 0.170 | | | | |
| Q1800** | R-404A | 18 lbs. ¹ | 24,000 | 36,000 | 0.130 | 0.170 | | | | |

Amount reflects additional R-404A refrigerant added to nameplate charge for 50' to 100' line sets, to ensure proper operation at all ambient conditions. Q1300 has 1.5 lbs. additional R-404A. Q1600 and Q1800 has 2.0 lbs. additional R-404A

* Refers to Q1800 model ice machines before SN 110603336

** Refers to Q1800 model ice machines after SN 110603337



SV1615

Typical Single Circuit Remote Condenser Installation

Installation Check List

- Is the Ice Machine level?
- Has all of the internal packing been removed?
- Have all of the electrical and water connections been made?
- Has the supply voltage been tested and checked against the rating on the nameplate?
- Is there proper clearance around the ice machine for air circulation?
- Has the ice machine been installed where ambient temperatures will remain in the range of 35° - 110°F (1.7° - 43.3°C)?
- Has the ice machine been installed where the incoming water temperature will remain in the range of 33° - 90°F (0.6° - 32.2°C)?
- Is there a separate drain for the water-cooled condenser?
- Is the water trough drain plug installed? (The drain plug is taped to the top of the water pump).
- Are the ice machine and bin drains vented?
- Are all electrical leads free from contact with refrigeration lines and moving equipment?
- Has the owner/operator been instructed regarding maintenance and the use of Manitowoc Cleaner and Sanitizer?
- Has the owner/operator completed the warranty registration card?
- Has the ice machine and bin been sanitized?
- Is the toggle switch set to ice? (The toggle switch is located directly behind the front panel).
- Is the ice thickness control set correctly? (Refer to Operational Checks in Section 3 of this manual to check/set the correct ice bridge thickness).

Additional Checks for Remote Models

- Has the receiver service valve been opened 100%?
- Does the remote condenser fan operate properly after start-up?
- Has the remote condenser been located where ambient temperatures will remain in the range of -20° - 120°F (-6.6 - 49°C).
- Is the line set routed properly?

Before Starting the Ice Machine

All Manitowoc ice machines are factory-operated and adjusted before shipment. Normally, new installations do not require any adjustment.

To ensure proper operation, follow the Operational Checks in Section 3 of this manual. Starting the ice machine and completing the Operational Checks are the responsibilities of the owner/operator.

Adjustments and maintenance procedures outlined in this manual are not covered by the warranty.



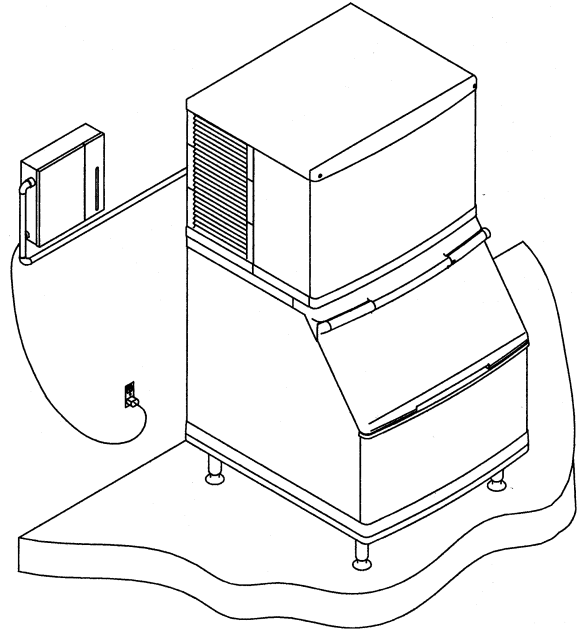
Warning

Potential Personal Injury Situation

Do not operate equipment that has been misused, abused, neglected, damaged, or altered/modified from that of original manufactured specifications.

AuCS® Automatic Cleaning System

This optional accessory monitors ice making cycles and initiates cleaning procedures automatically. The AuCS® accessory can be set to automatically clean or sanitize the ice machine every 2, 4 or 12 weeks. Refer to the AuCS® Installation and Owner/Operator Use and Care Guide for details.



SV1601

THIS PAGE INTENTIONALLY LEFT BLANK

Section 3 Ice Machine Operation

Component Identification

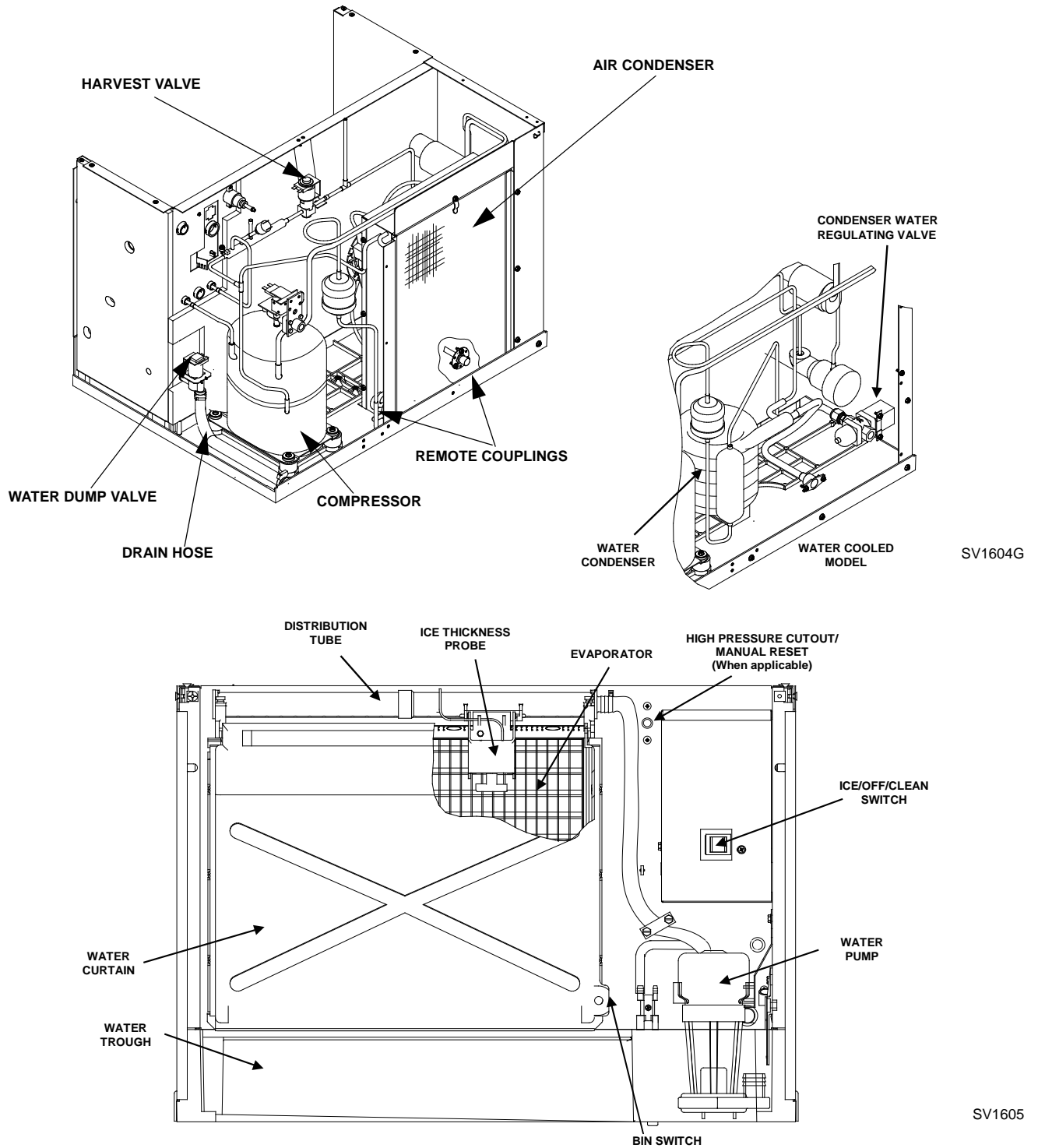


Figure 3-1. Component Identification (Typical Q450 Shown)

Self-Contained Air- and Water-Cooled Q200/Q280/Q320/Q370/Q420/Q450/Q600/Q800/Q1000/Q1300/Q1600/Q1800

INITIAL START-UP OR START-UP AFTER AUTOMATIC SHUT-OFF

1. Water Purge

Before the compressor starts, the water pump and water dump solenoid are energized for 45 seconds, to completely purge the ice machine of old water. This feature ensures that the ice making cycle starts with fresh water.

The harvest valve(s) is also energized during water purge, although it stays on for an additional 5 seconds (50 seconds total on time) during the initial refrigeration system start-up.

2. Refrigeration System Start-Up

The compressor starts after the 45 second water purge, and it remains on throughout the entire Freeze and Harvest Sequences. The water fill valve is energized at the same time as the compressor. It remains on until the water level sensor closes for 3 continuous seconds, or until a six-minute time period has expired. The harvest valve(s) remains on for 5 seconds during initial compressor start-up and then shuts off.

At the same time the compressor starts, the condenser fan motor (air-cooled models) is supplied with power throughout the entire Freeze and Harvest Sequences. The fan motor is wired through a fan cycle pressure control, therefore it may cycle on and off. (The compressor and condenser fan motor are wired through the contactor. As a result, anytime the contactor coil is energized, the compressor and fan motor are supplied with power.)

FREEZE SEQUENCE

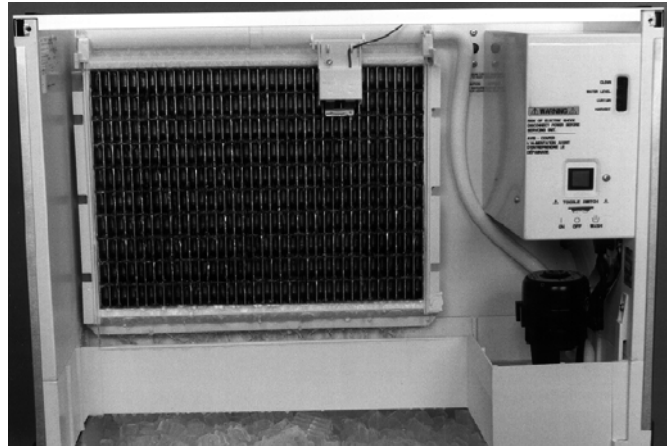
3. Prechill

The compressor is on for 30 seconds prior to water flow, to prechill the evaporator.

4. Freeze

The water pump restarts after the 30 second prechill. An even flow of water is directed across the evaporator and into each cube cell, where it freezes. The water fill valve will cycle on and then off one more time to refill the water trough.

When sufficient ice has formed, the water flow (not the ice) contacts the ice thickness probe. After approximately 7 seconds of continual water contact, the harvest sequence is initiated. The ice machine cannot initiate a harvest sequence until a 6 minute freeze lock has been surpassed.



**Figure 3-2. Freeze Sequence
(Typical Q450 Shown)**

Continued on next page ...

HARVEST SEQUENCE

5. Water Purge

The water pump continues to run, and the water dump valve energizes for 45 seconds to purge the water in the sump trough. The water fill valve energizes (turns on) and de-energizes (turns off) strictly by time. The water fill valve energizes for the last 15 seconds of the 45-second water purge. The water purge must be at the factory setting of 45 seconds for the fill valve to energize during the last 15 seconds of the Water Purge. If set at less than 45 seconds the water fill valve does not energize during the water purge.

After the 45 second water purge, the water fill valve, water pump and dump valve de-energize. (Refer to "Water Purge Adjustment" for details.) The harvest valve also opens at the beginning of the water purge to divert hot refrigerant gas into the evaporator.

6. Harvest

The harvest valve(s) remains open and the refrigerant gas warms the evaporator causing the cubes to slide, as a sheet, off the evaporator and into the storage bin. The sliding sheet of cubes swings the water curtain out, opening the bin switch. The momentary opening and re-closing of the bin switch terminates the harvest sequence and returns the ice machine to the freeze sequence (Step 3 - 4.)

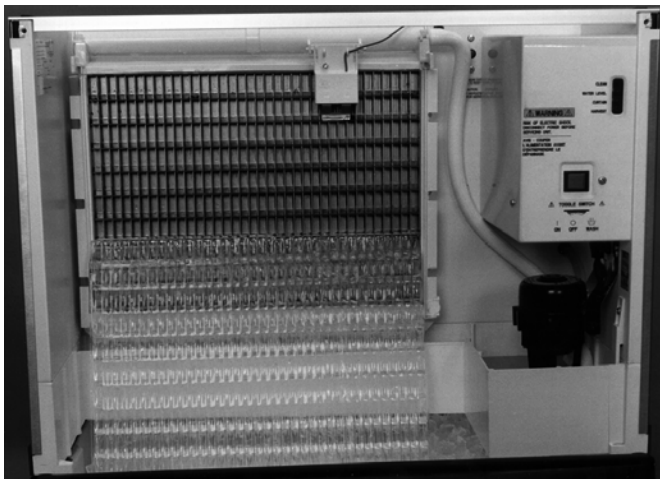


Figure 3-3. Harvest Sequence (Typical Q450 Shown)

AUTOMATIC SHUT-OFF

7. Automatic Shut-Off

When the storage bin is full at the end of a harvest sequence, the sheet of cubes fails to clear the water curtain and will hold it open. After the water curtain is held open for 7 seconds, the ice machine shuts off. The ice machine remains off for 3 minutes before it can automatically restart.

The ice machine remains off until enough ice has been removed from the storage bin to allow the ice to fall clear of the water curtain. As the water curtain swings back to the operating position, the bin switch re-closes and the ice machine restarts (steps 1 - 2), provided the 3 minute delay period is complete.

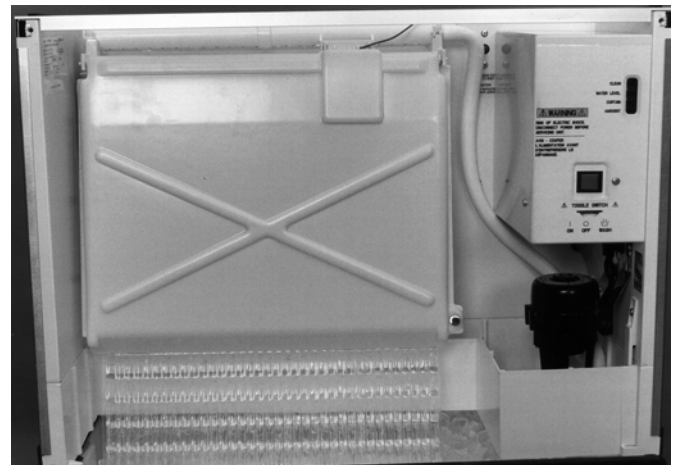


Figure 3-4. Automatic Shut-Off (Typical Q450 Shown)

Remote Q450/Q600/Q800/Q1000/Q1300/Q1600/Q1800

INITIAL START-UP OR START-UP AFTER AUTOMATIC SHUT-OFF

1. Water Purge

Before the compressor starts, the water pump and water dump solenoid are energized for 45 seconds, to completely purge the ice machine of old water. This feature ensures that the ice making cycle starts with fresh water.

The harvest valve and harvest pressure regulating (HPR) solenoid valves also energize during water purge, although they stay on for an additional 5 seconds (50 seconds total on time) during the initial refrigeration system start-up.

2. Refrigeration System Start-Up

The compressor and liquid line solenoid valve energize after the 45 second water purge and remain on throughout the entire Freeze and Harvest Sequences. The water fill valve is energized at the same time as the compressor. It remains on until the water level sensor closes for 3 continuous seconds, or until a six-minute time period has expired. The harvest valve and HPR solenoid valves remain on for 5 seconds during initial compressor start-up and then shut off.

The remote condenser fan motor starts at the same time the compressor starts and remains on throughout the entire Freeze and Harvest Sequences. (The compressor and condenser fan motor are wired through the contactor, therefore, anytime the contactor coil is energized, the compressor and fan motor are on.)

FREEZE SEQUENCE

3. Prechill

The compressor is on for 30 seconds prior to water flow, to prechill the evaporator.

4. Freeze

The water pump restarts after the 30 second prechill. An even flow of water is directed across the evaporator and into each cube cell, where it freezes. The water fill valve will cycle on and then off one more time to refill the water trough.

When sufficient ice has formed, the water flow (not the ice) contacts the ice thickness probe. After approximately 7 seconds of continual water contact, the harvest sequence is initiated. The ice machine cannot initiate a harvest sequence until a 6 minute freeze lock has been surpassed.

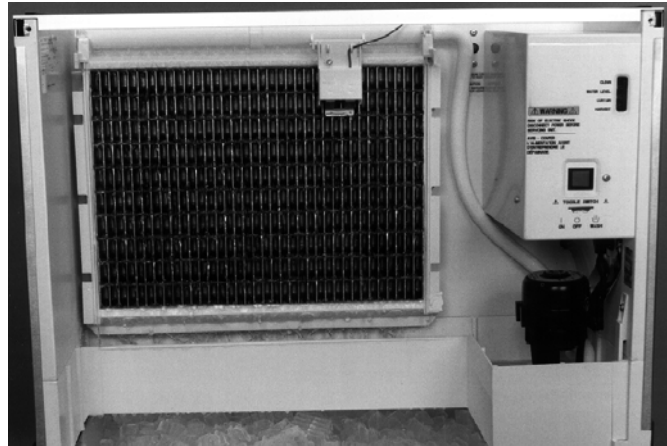


Figure 3-5. Freeze Sequence (Typical Q450 Shown)

Continued on next page ...

HARVEST SEQUENCE

5. Water Purge

The water pump continues to run, and the water dump valve energizes for 45 seconds to purge the water in the sump trough. The water fill valve energizes (turns on) and de-energizes (turns off) strictly by time. The water fill valve energizes for the last 15 seconds of the 45-second water purge. The water purge must be at the factory setting of 45 seconds for the fill valve to energize during the last 15 seconds of the Water Purge. If set at less than 45 seconds the water fill valve does not energize during the water purge.

After the 45 second water purge, the water fill valve, water pump and dump valve de-energize. (Refer to "Water Purge Adjustment" for details.) The harvest valve(s) and HPR solenoid valve also open at the beginning of the water purge.

6. Harvest

The HPR valve and the harvest valve(s) remain open and the refrigerant gas warms the evaporator causing the cubes to slide, as a sheet, off the evaporator and into the storage bin. The sliding sheet of cubes swings the water curtain out, opening the bin switch. The momentary opening and re-closing of the bin switch terminates the harvest sequence and returns the ice machine to the freeze sequence (Step 3 - 4.)

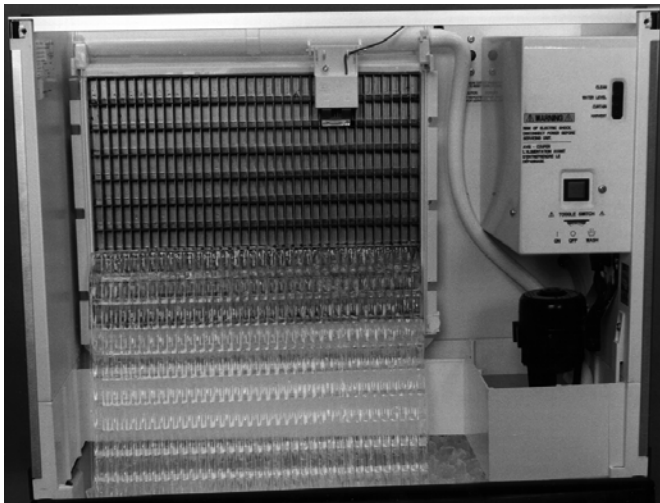


Figure 3-6. Harvest Sequence (Typical Q450 Shown)

AUTOMATIC SHUT-OFF

7. Automatic Shut-Off

When the storage bin is full at the end of a harvest sequence, the sheet of cubes fails to clear the water curtain and will hold it open. After the water curtain is held open for 7 seconds, the ice machine shuts off. The ice machine remains off for 3 minutes before it can automatically restart.

The ice machine remains off until enough ice has been removed from the storage bin to allow the ice to drop clear of the water curtain. As the water curtain swings back to the operating position, the bin switch re-closes and the ice machine restarts (steps 1 - 2) provided the 3 minute delay period is complete.



Figure 3-7. Automatic Shut-Off (Typical Q450 Shown)

Operational Checks

GENERAL

Manitowoc ice machines are factory-operated and adjusted before shipment. Normally, new installations do not require any adjustment.

To ensure proper operation, always follow the Operational Checks:

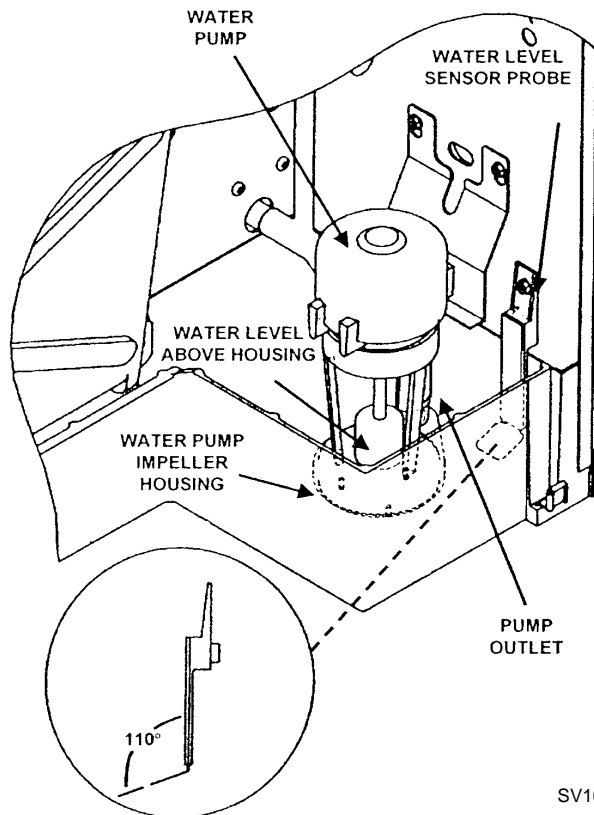
- when starting the ice machine for the first time
- after a prolonged out of service period
- after cleaning and sanitizing

NOTE: Routine adjustments and maintenance procedures are not covered by the warranty.

WATER LEVEL

The water level sensor is set to maintain the proper water level above the water pump housing. The water level is not adjustable.

If the water level is incorrect, check the water level probe for damage (probe bent, etc.). Repair or replace the probe as necessary.



SV1616

Figure 3-8. Water Level Probe

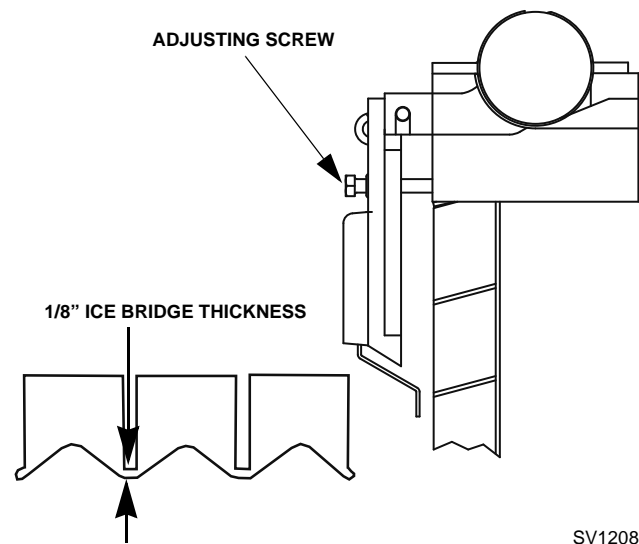
ICE THICKNESS CHECK

The ice thickness probe is factory-set to maintain the ice bridge thickness at 1/8" (3.2 mm).

NOTE: Make sure the water curtain is in place when performing this check. It prevents water from splashing out of the water trough.

1. Inspect the bridge connecting the cubes. It should be about 1/8" (3.2 mm) thick.
2. If adjustment is necessary, turn the ice thickness probe adjustment screw clockwise to increase bridge thickness, counterclockwise to decrease bridge thickness.

NOTE: Turning the adjustment 1/3 of a turn will change the ice thickness about 1/16" (1.5 mm).



SV1208

Figure 3-9. Ice Thickness Check

3. Make sure the ice thickness probe wire and the bracket do not restrict movement of the probe.

HARVEST SEQUENCE WATER PURGE

The harvest sequence water purge adjustment may be used when the ice machine is hooked up to special water systems, such as a de-ionized water treatment system.

Important

The harvest sequence water purge is factory-set at 45 seconds. A shorter purge setting (with standard water supplies such as city water) is not recommended. This can increase water system cleaning and sanitizing requirements.

- The harvest sequence water purge may be set to 15, 30, or 45 seconds.
- During the harvest sequence water purge, the water fill valve energizes and de-energizes by time. The water purge must be at the factory setting of 45 seconds for the water fill valve to energize during the last 15 seconds of the water purge. If it is set to less than 45 seconds, the water fill valve will not energize during the water purge.

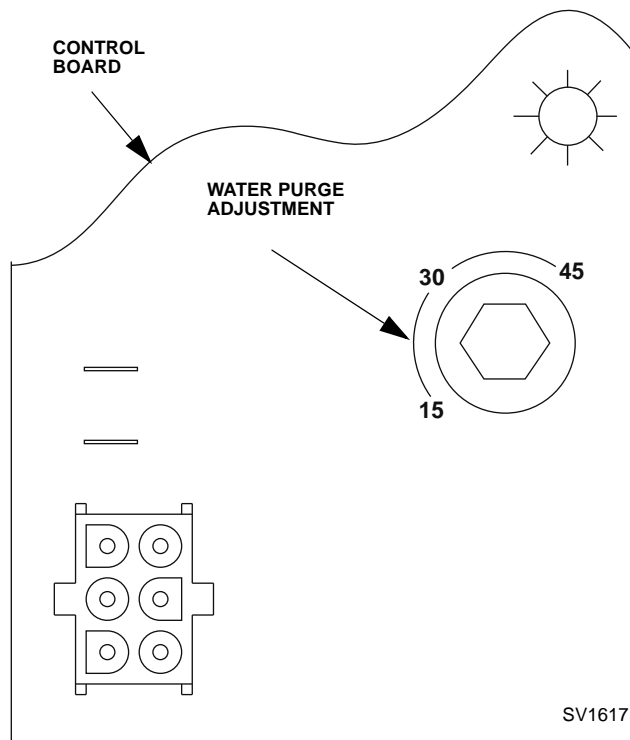


Figure 3-10. Water Purge Adjustment

THIS PAGE INTENTIONALLY LEFT BLANK

Section 4 Maintenance

Interior Cleaning and Sanitizing

GENERAL

Clean and sanitize the ice machine every six months for efficient operation. If the ice machine requires more frequent cleaning and sanitizing, consult a qualified service company to test the water quality and recommend appropriate water treatment. The ice machine must be taken apart for cleaning and sanitizing.

⚠ Caution

Use only Manitowoc approved Ice Machine Cleaner and Sanitizer for this application (Manitowoc Cleaner part number 94-0546-3 and Manitowoc Sanitizer part number 94-0565-3). It is a violation of Federal law to use these solutions in a manner inconsistent with their labeling. Read and understand all labels printed on bottles before use.

CLEANING PROCEDURE

⚠ Caution

Do not mix Cleaner and Sanitizer solutions together. It is a violation of Federal law to use these solutions in a manner inconsistent with their labeling.

⚠ Warning

Wear rubber gloves and safety goggles (and/or face shield) when handling ice machine Cleaner or Sanitizer.

Ice machine cleaner is used to remove lime scale and mineral deposits. Ice machine sanitizer disinfects and removes algae and slime.

Step 1 Set the toggle switch to the OFF position after ice falls from the evaporator at the end of a Harvest cycle. Or, set the switch to the OFF position and allow the ice to melt off the evaporator.

⚠ Caution

Never use anything to force ice from the evaporator. Damage may result.

Step 2 Remove top cover. This will allow easiest access for adding cleaning and sanitizing solutions.

Step 3 Remove all ice from the bin.

Step 4 Place the toggle switch in the CLEAN position. The water will flow through the water dump valve and down the drain. Wait until the water trough refills and water flows over the evaporator, then add the proper amount of ice machine cleaner.

| Model | Amount of Cleaner |
|-------------------------|-------------------|
| Q200/Q280/Q322/Q370 | 3 ounces (90 ml) |
| Q422/Q450/Q600/Q800 | 5 ounces (150 ml) |
| Q1000/Q1300/Q1400/Q1800 | 9 ounces (265 ml) |

Step 5 Wait until the clean cycle is complete (approximately 30 minutes) then place the toggle switch in the OFF position and disconnect power to the ice machine (and dispenser when used).

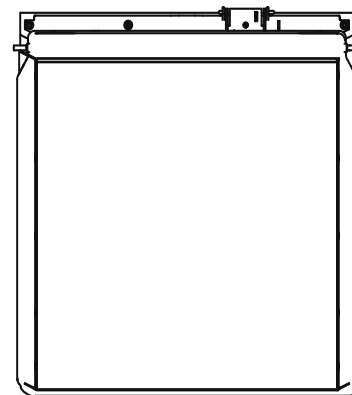
⚠ Warning

Disconnect the electric power to the ice machine at the electric service switch box.

Step 6 Remove parts for cleaning and hand sanitizing.

A. Remove the water curtain

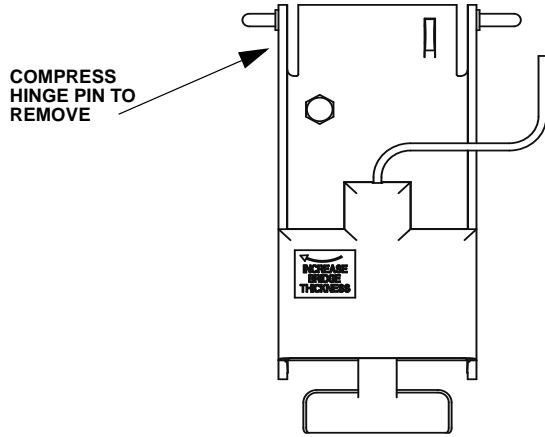
- Gently flex the curtain in the center and remove it from the right side.
- Slide the left pin out.



Water Curtain Removal

B. Remove the ice thickness probe

- Compress the hinge pin on the top of the ice thickness probe.

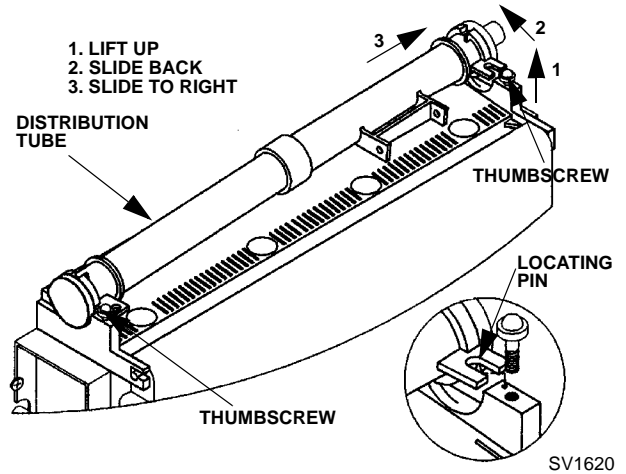


Ice Thickness Probe Removal

- Pivot the ice thickness probe to disengage one pin then the other. The ice thickness probe can be cleaned and sanitized at this point without complete removal. If complete removal is desired, disconnect the ice thickness control wiring from the control board.

C. Remove the water distribution tube

- Disconnect the water hose from the distribution tube.



Water Distribution Tube Removal

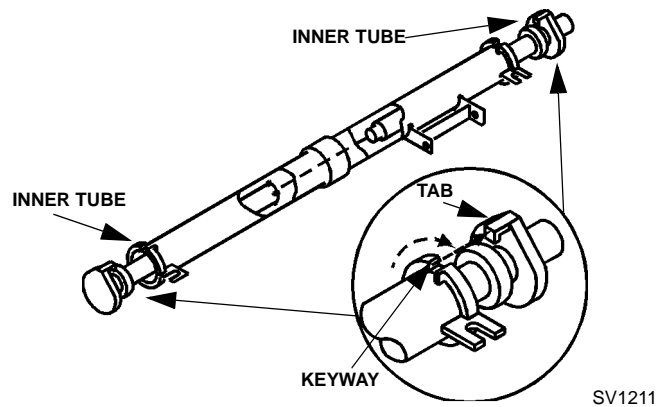
- Loosen the two thumbscrews which secure the distribution tube.
- Lift the right side of the distribution tube up off the locating pin, then slide it back and to the right.

⚠ Caution

Do not force this removal. Be sure the locating pin is clear of the hole before sliding the distribution tube out.

Disassemble for cleaning/sanitizing.

- Twist both of the inner tube ends until the tabs line up with the keyways.
- Pull the inner tube ends outward.



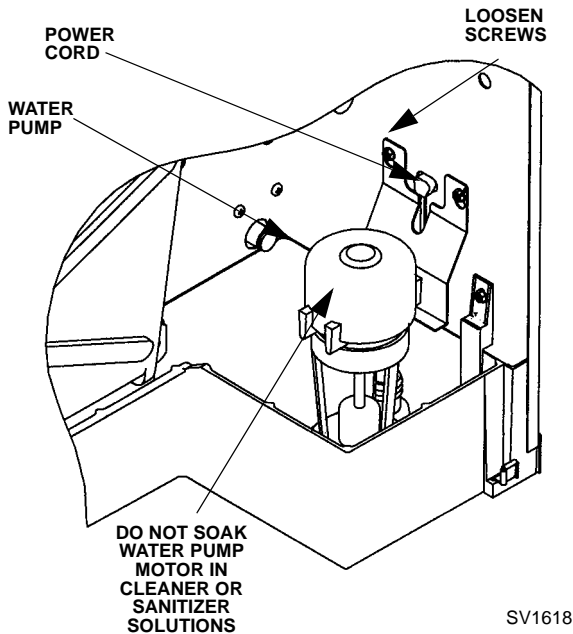
Water Distribution Tube Disassembly

D. Remove the white vinyl water distribution tubing

- Disconnect the hose from the water pump outlet.
- Disconnect the hose from the dump valve (the tubing pressure fits - pull tubing into evaporator compartment).

E. Remove the water pump

- Disconnect the water pump power cord.

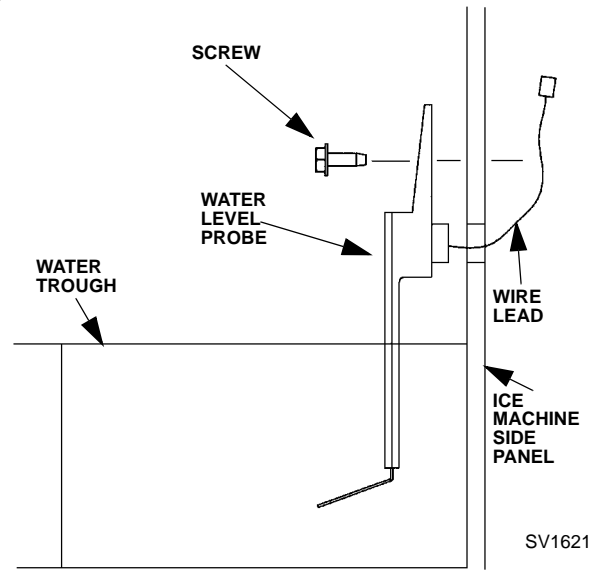


Water Pump Removal

- Loosen the screws securing the pump mounting bracket to the bulkhead.
- Lift the pump and bracket assembly off the screws.

F. Remove the water level probe

- Loosen the screw that holds the water level probe in place. The probe can easily be cleaned and sanitized at this point without proceeding to step 2.
- If complete removal is required, disconnect the wire lead from the control board inside the electrical control box.



Water Level Probe Removal

Step 7 Mix a solution of cleaner and warm water. Depending upon the amount of mineral buildup, a larger quantity of solution may be required. Use the ratio in the table below to mix enough solution to thoroughly clean all parts.

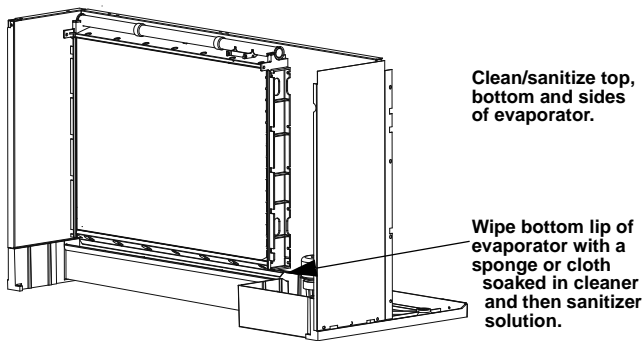
| Solution Type | Water | Mixed With |
|---------------|--------------|------------------------|
| Cleaner | 1 gal. (4 l) | 16 oz (500 ml) cleaner |

Step 8 Use 1/2 of the cleaner/water mixture to clean all components. The cleaner solution will foam when it contacts lime scale and mineral deposits; once the foaming stops use a soft-bristle nylon brush, sponge or cloth (NOT a wire brush) to carefully clean the parts. Soak parts for 5 minutes (15 - 20 minutes for heavily scaled parts). Rinse all components with clean water.

Step 9 While components are soaking, use 1/2 of the cleaner/water solution to clean all foodzone surfaces of the ice machine and bin (or dispenser). Use a nylon brush or cloth to thoroughly clean the following ice machine areas:

- Side walls
- Base (bottom of the water trough)
- Interior of the water trough
- Evaporator cells and evaporator plastic parts - including top, bottom, and sides
- Bin or dispenser
- Ice machine top cover

Remove water trough drain plug and rinse all areas thoroughly with clean water. Reinstall water trough drain plug.



Step 10 Mix a solution of sanitizer and warm water.

| Solution Type | Water | Mixed With |
|---------------|---------------|-------------------------|
| Sanitizer | 6 gal. (23 l) | 4 oz (120 ml) sanitizer |

Step 11 Use 1/2 of the sanitizer/water solution to sanitize all removed components. Use a cloth or sponge to liberally apply the solution to all surfaces of the removed parts or soak the removed parts in the sanitizer/water solution. Do not rinse parts after sanitizing.

Step 12 Use 1/2 of the sanitizer/water solution to sanitize all foodzone surfaces of the ice machine and bin (or dispenser). Use a cloth or sponge to liberally apply the solution. Wipe all surfaces twice to ensure complete coverage with sanitizer solution. When sanitizing, pay particular attention to the following areas:

- Side walls
- Base (bottom of the water trough)
- Interior of water trough
- Evaporator cells and evaporator plastic parts - including top, bottom and sides
- Bin or dispenser
- Ice machine top cover

Do not rinse the sanitized areas. Remove the water trough drain plug and wipe with solution. When the sanitizer solution has drained from the trough, reinstall the water trough drain plug.

Step 13 Replace all removed components.

Step 14 Reapply power to the ice machine and place the toggle switch in the CLEAN position.

Step 15 Wait about two minutes or until water starts to flow over the evaporator. Add the proper amount of Manitowoc Ice Machine Sanitizer to the water trough by pouring between the water curtain and evaporator.

| Model | Amount of Sanitizer |
|---|----------------------|
| Q200 Q280 Q322 Q370 Q422 Q450 Q600 Q800 Q1000 | 3 ounces (90 ml) |
| Q1300 Q1600 Q1800 | 8.75 ounces (258 ml) |

Step 16 The ice machine will stop after the sanitize cycle (approximately 30 minutes). Place the toggle switch in the OFF position and disconnect power to the ice machine.

 **Warning**

Disconnect the electric power to the ice machine at the electric service switch box..

Step 17 Repeat step 6 for hand sanitizing.

Step 18 Mix a solution of sanitizer and warm water.

| Solution Type | Water | Mixed With |
|---------------|---------------|-------------------------|
| Sanitizer | 6 gal. (23 l) | 4 oz (120 ml) sanitizer |

Step 19 Use 1/2 of the sanitizer/water solution to sanitize all removed components. Use a cloth or sponge to liberally apply the solution to all surfaces of the removed parts or soak the removed parts in the sanitizer/water solution. Do not rinse parts after sanitizing.

Step 20 Use 1/2 of the sanitizer/water solution to sanitize all foodzone surfaces of the ice machine and bin (or dispenser). Use a cloth or sponge to liberally apply the solution. When sanitizing, pay particular attention to the following areas:

- Side walls
- Base (bottom of the water trough)
- Interior of water trough
- Evaporator cells and evaporator plastic parts - including top, bottom and sides
- Bin or dispenser
- Ice machine top cover

Do not rinse the sanitized areas. Remove the water trough drain plug and wipe with solution. When the sanitizer solution has drained from the trough, reinstall the water trough drain plug.

Step 21 Install the removed parts, restore power and place the toggle switch in the ICE position.

ADDITIONAL COMPONENT REMOVAL

The following components may be removed for easier access in some installations or they may need to be removed and cleaned to correct an operational problem.

Water Inlet Valve

The water inlet valve normally does not require removal for cleaning. Refer to Section 5 for a list of causes for “No Water Entering Water Trough” or “Water Overflows Water Trough.”

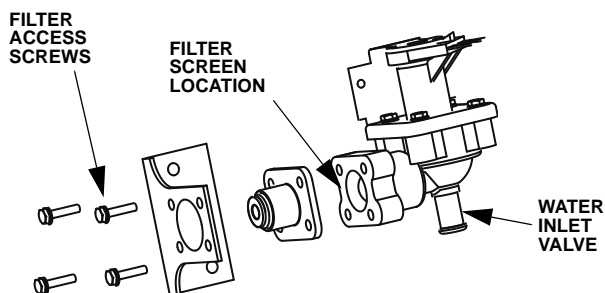
1. When the ice machine is off, the water inlet valve must completely stop water flow into the machine.
2. When the ice machine is on, the water inlet valve must allow the proper water flow through it. Set the toggle switch to ON. Watch for water flow into the ice machine. If the water flow is slow or only trickles into the ice machine, refer to Section 5.

Follow the procedure below to remove the water inlet valve.

Warning

Disconnect the electric power to the ice machine and dispenser at the electric service switch box and turn off the water supply before proceeding.

1. Remove the 1/4” hex head screws.
2. Remove, clean, and install the filter screen.

**Water Dump Valve**

The water dump valve normally does not require removal for cleaning. To determine if removal is necessary:

1. Set the toggle switch to ICE.
2. Verify the water trough fills with water at the beginning of the freeze cycle.
3. While the ice machine is in the freeze mode, check the water trough to determine if the dump valve is leaking. If there is no or little water in the water trough (during the freeze cycle) the dump valve is leaking.
 - A. If the dump valve is leaking, remove, disassemble and clean it.
 - B. If the dump valve is not leaking, do not remove it. Instead, follow the “Ice Machine Cleaning Procedure”.

Follow the procedure below to remove the dump valve.

Warning

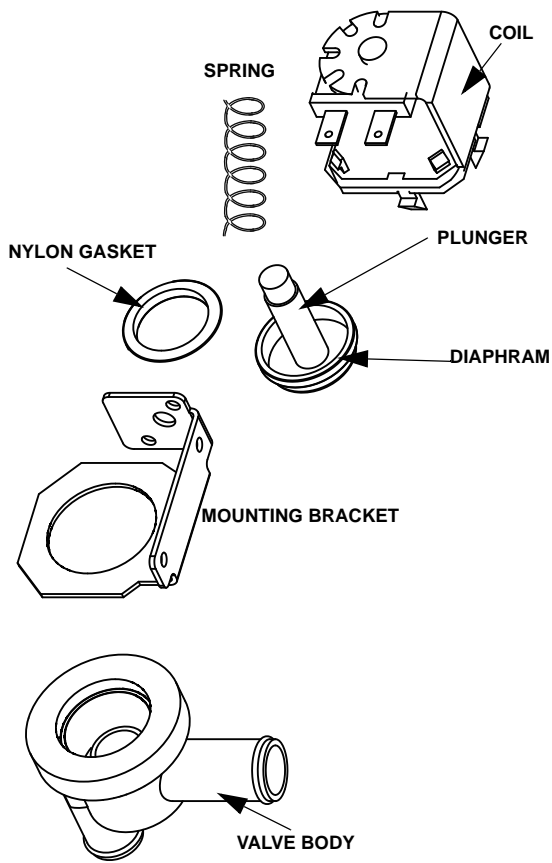
Disconnect the electric power to the ice machine at the electric service switch box and turn off the water supply before proceeding.

1. Leaving the wires attached, twist coil and rotate it counter-clockwise 1/4 turn.
2. Lift the coil assembly off the valve body.
3. Remove the spring, plunger, and nylon gasket from the valve body.

NOTE: At this point, the water dump valve can easily be cleaned. If complete removal is desired, continue with step 4.

NOTE: During cleaning, do not stretch or damage the spring.

4. Remove the tubing from the dump valve by twisting the clamps off.
5. Twist the valve body to remove from mounting bracket.



Dump Valve Disassembly

Ice Machine Inspection

Check all water fittings and lines for leaks. Also, make sure the refrigeration tubing is not rubbing or vibrating against other tubing, panels, etc.

Do not put anything (boxes, etc.) on the sides or back of the ice machine. There must be adequate airflow through and around the ice machine to maximize ice production and ensure long component life.

Exterior Cleaning

Clean the area around the ice machine as often as necessary to maintain cleanliness and efficient operation. Use cleaners designed for use with stainless steel products.

Sponge any dust and dirt off the outside of the ice machine with mild soap and water. Wipe dry with a clean, soft cloth.

Heavy stains should be removed with stainless steel wool. Never use plain steel wool or abrasive pads. They will scratch the panels.

Cleaning the Condenser

GENERAL

Warning

Disconnect electric power to the ice machine head section and the remote condensing unit at the electric service switches before cleaning the condenser.

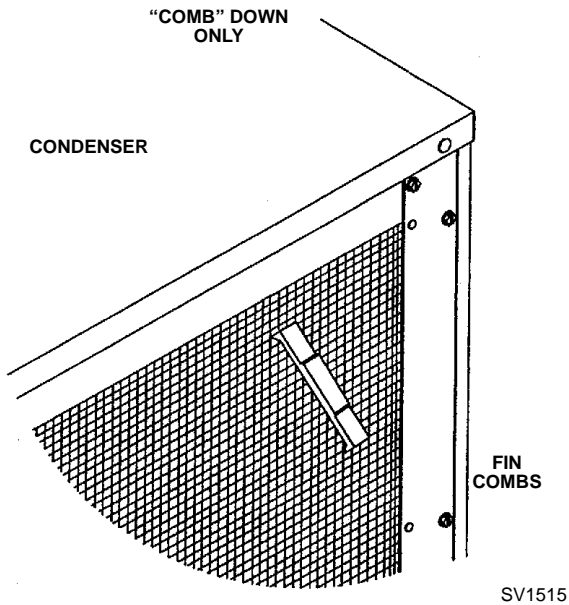
A dirty condenser restricts airflow, resulting in excessively high operating temperatures. This reduces ice production and shortens component life. Clean the condenser at least every six months. Follow the steps below.

Warning

The condenser fins are sharp. Use care when cleaning them.

1. The washable aluminum filter on self-contained ice machines is designed to catch dust dirt lint and grease. Clean the filter with a mild soap and water.
2. Clean the outside of the condenser with a soft brush or a vacuum with a brush attachment. Be careful not to bend the condenser fins.
3. Shine a flashlight through the condenser to check for dirt between the fins. If dirt remains:
 - A. Blow compressed air through the condenser fins from the inside. Be careful not to bend the fan blades.
 - B. Use a commercial condenser coil cleaner. Follow the directions and cautions supplied with the cleaner.

4. Straighten any bent condenser fins with a fin comb.



Straighten Bent Condenser Fins

5. Carefully wipe off the fan blades and motor with a soft cloth. Do not bend the fan blades. If the fan blades are excessively dirty, wash with warm, soapy water and rinse thoroughly.

Caution

If you are cleaning the condenser fan blades with water, cover the fan motor to prevent water damage and disconnect electrical power.

Water-Cooled Condenser and Water Regulating Valve

Symptoms of restrictions in the condenser water circuit include:

- Low ice production
- High water consumption
- High operating temperatures
- High operating pressures

If the ice machine is experiencing any of these symptoms, the water-cooled condenser and water regulating valve may require cleaning due to scale build-up.

Because the cleaning procedures require special pumps and cleaning solutions, qualified maintenance or service personnel must perform them.

AlphaSan®

The goal of AlphaSan® is to keep the plastic surfaces of an ice machine cleaner, by reducing or delaying the formation of bio-film. The active ingredient in AlphaSan® is the element silver in the form of silver ions (Ag⁺). AlphaSan® slowly releases silver ions via an ion exchange mechanism. When AlphaSan® is compounded directly into a plastic part, a controlled release of silver ions from the surface is regulated to maintain an effective concentration at or near the surface of the plastic ice machine part. AlphaSan's® unique ability to effectively control the release of silver not only protects against undesired discoloration of the plastic, but also will last the life of the plastic part. Although AlphaSan® helps prevent bio-film build up it does not eliminate the need for periodic cleaning and maintenance. AlphaSan® has no adverse effect on the taste of the ice or beverage.

Removal from Service/Winterization

GENERAL

Special precautions must be taken if the ice machine is to be removed from service for an extended period of time or exposed to ambient temperatures of 32°F (0°C) or below.

Caution

If water is allowed to remain in the ice machine in freezing temperatures, severe damage to some components could result. Damage of this nature is not covered by the warranty.

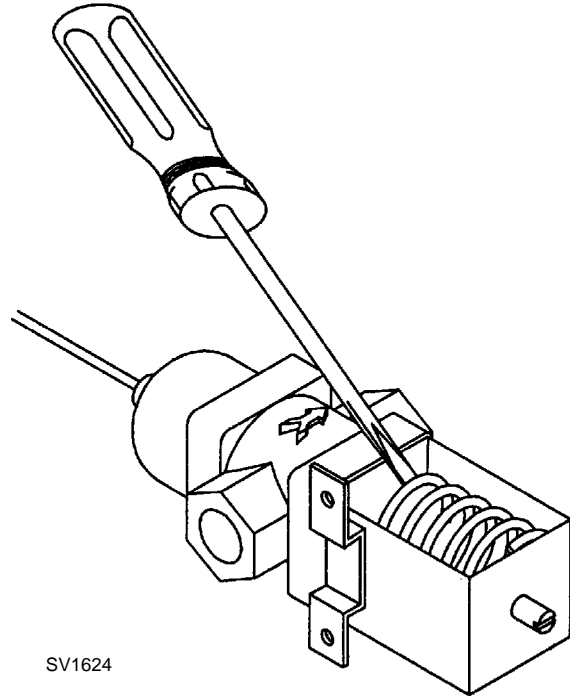
Follow the applicable procedure below.

SELF-CONTAINED AIR-COOLED ICE MACHINES

1. Disconnect the electric power at the circuit breaker or the electric service switch.
2. Turn off the water supply.
3. Remove the water from the water trough.
4. Disconnect and drain the incoming ice-making water line at the rear of the ice machine.
5. Energize the ice machine and wait one minute for the water inlet valve to open.
6. Blow compressed air in both the incoming water and the drain openings in the rear of the ice machine until no more water comes out of the inlet water lines or the drain.
7. Make sure water is not trapped in any of the water lines, drain lines, distribution tubes, etc.

WATER-COOLED ICE MACHINES

1. Perform steps 1-6 under "Self-Contained Air-Cooled Ice Machines."
2. Disconnect the incoming water and drain lines from the water-cooled condenser.
3. Insert a large screwdriver between the bottom spring coils of the water regulating valve. Pry upward to open the valve.



Pry Open the Water Regulating Valve

4. Hold the valve open and blow compressed air through the condenser until no water remains.

REMOTE ICE MACHINES

1. Move the ICE/OFF/CLEAN switch to OFF.
2. "Frontseat" (shut off) the receiver service valves. Hang a tag on the switch as a reminder to open the valves before restarting.
3. Perform steps 1-6 under "Self-Contained Air-Cooled Ice Machines."

Section 5

Before Calling for Service

Checklist

If a problem arises during operation of your ice machine, follow the checklist below before calling service. Routine adjustments and maintenance procedures are not covered by the warranty.

| Problem | Possible Cause | To Correct |
|---|--|--|
| Ice machine does not operate. | No electrical power to the ice machine and/or condensing unit. | Replace the fuse/reset the breaker/turn on the main switch. |
| | High pressure cutout tripping. | Clean condenser coil. (See Section 4) |
| | ICE/OFF/CLEAN toggle switch set improperly. | Move the toggle switch to the ICE position. |
| | Water curtain stuck open. | Water curtain must be installed and swinging freely. (See Section 4) |
| | Remote receiver service valve and/or Liquid/suction line shut off valves are closed. | Open the valve(s). (See Section 2) |
| Ice machine stops, and can be restarted by moving the toggle switch to OFF and back to ICE. | Safety limit feature stopping the ice machine. | Refer to "Safety Limit Feature" on the next page. |
| Ice machine does not release ice or is slow to harvest. | Ice machine is dirty. | Clean and sanitize the ice machine. (See Section 4) |
| | Ice machine is not level. | Level the ice machine. (See Section 2) |
| | Low air temperature around ice machine head section. | Air temperature must be at least 35°F (1.6°C). |
| | Fan cycling control does not de-energize condenser fan motor. | Verify pressure is below cut-out setpoint, replace fan cycling control. |
| Ice machine does not cycle into harvest mode. | The six-minute freeze time lock-in has not expired yet. | Wait for the freeze lock-in to expire. |
| | Ice thickness probe is dirty. | Clean and sanitize the ice machine. (See Section 4) |
| | Ice thickness probe is disconnected. | Connect the wire. |
| | Ice thickness probe is out of adjustment. | Adjust the ice thickness probe. (See Section 3) |
| | Uneven ice fill (thin at the top of evaporator). | Verify sufficient water level in sump trough. Contact a qualified service company to check refrigeration system. |
| Ice quality is poor (soft or not clear). | Poor incoming water quality. | Contact a qualified service company to test the quality of the incoming water and make appropriate filter recommendations. |
| | Water filtration is poor. | Replace the filter. |
| | Ice machine is dirty. | Clean and sanitize the ice machine. (See Section 4) |
| | Water dump valve is not working. | Disassemble and clean the water dump valve. (See Section 4) |
| | Water softener is working improperly (if applicable). | Repair the water softener. |

| Problem | Possible Cause | To Correct |
|--|---|---|
| Ice machine produces shallow or incomplete cubes, or the ice fill pattern on the evaporator is incomplete. | Ice thickness probe is out of adjustment. | Adjust the ice thickness probe. (See Section 4) |
| | Water trough level is too high or too low. | Check the water level probe for damage. (See Section 3) |
| | Water inlet valve filter screen is dirty. | Remove the water inlet valve and clean the filter screen. (See Section 4) |
| | Water filtration is poor. | Replace is filter. |
| | Hot incoming water. | Connect the ice machine to a cold water supply. (See Section 2) |
| | Water inlet valve is not working. | Remove the water inlet valve and clean it. (See Section 4) |
| | Incorrect incoming water pressure. | Water pressure must be 20-80 psi (137.9 - 551.5 kPA) |
| | Ice machine head section is not level. | Level the ice machine head section. (See Section 2) |
| Low ice capacity. | Water inlet valve filter screen is dirty. | Remove the water inlet valve and clean the filter screen. (See Section 4) |
| | Incoming water supply is shut off. | Open the water service valve. |
| | Water inlet valve stuck open or leaking. | Remove the water inlet valve and clean it. (See Section 4) |
| | The condenser is dirty. | Clean the condenser. (See Section 4) |
| | High air temperature around condenser unit. | Air temperature must not exceed 130°F (43.3°C) |

Safety Limit Feature

In addition to the standard safety controls, such as the high pressure cutout, your Manitowoc ice machine features built-in safety limits which will stop the ice machine if conditions arise which could cause a major component failure.

Before calling for service, re-start the ice machine using the following procedure:

1. Move the ICE/OFF/CLEAN switch to OFF and then back to ICE.
 - A. If the safety limit feature has stopped the ice machine, it will restart after a short delay. Proceed to step 2.
 - B. If the ice machine does not restart, see "Ice machine does not operate" on the previous page.
2. Allow the ice machine to run to determine if the condition is recurring.
 - A. If the ice machine stops again, the condition has recurred. Call for service.
 - B. If the ice machine continues to run, the condition has corrected itself. Allow the ice machine to continue running.

THIS PAGE INTENTIONALLY LEFT BLANK

THIS PAGE INTENTIONALLY LEFT BLANK

EC DECLARATION OF CONFORMITY

We hereby declare that our products, ice machines and Multiplex refrigeration equipment comply with all the essential requirements of the listed EC - directives.

Manufacturer:

*Manitowoc Ice, Inc.
2110 S. 26th Street, P.O. Box 1720
Manitowoc, Wisconsin 54221-1720 USA*

European Distributor:

Representative of Manitowoc Ice, Inc.:

Engineering Manager, (Printed name)

Representative of European Distributor:

Signature

Model and Serial No.

Applied EC Directives:

Applied Standards:

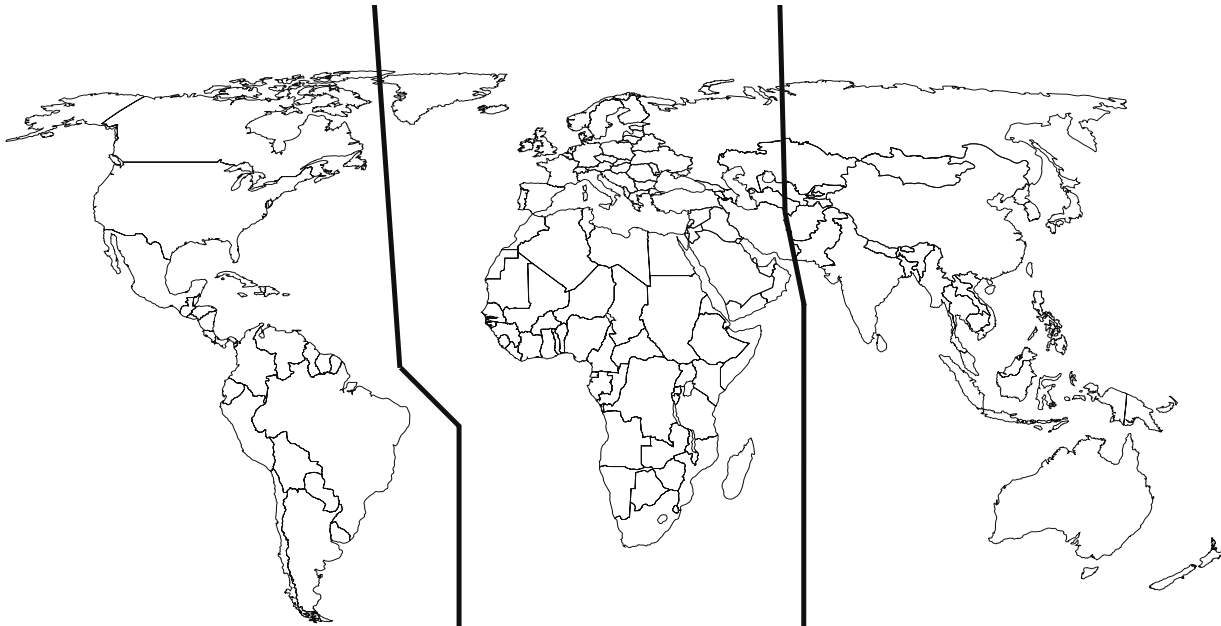
EN60335-1 Safety of household and similar electrical appliances
EN60335-2-24 Particular requirements refrigerators, food freezers and ice makers

EN55014 Electrical Motor Operated Appliances (Emissions)
EN55014 Electro Magnetic Compatibility (Immunity)
EN378 -1 to -4 Refrigeration Plants

Low Voltage 73/23/EEC
EMC 89/336/EEC
Pressure Equipment 97/23/EC



8201043
08/25/03



Manitowoc Ice, Inc.
2110 South 26th Street
P.O. Box 1720
Manitowoc, WI 54221-1720
Phone: (920) 682-0161
Service Fax: (920) 683-7585
Web Site - www.manitowocice.com

Manitowoc Foodservice International
S.A.S.
18 Chemin de Charbonnières
F-69132 Ecully Cedex
Téléphone : +33 (0)4 72 18 22 50
Fax : +33 (0)4 72 18 22 60
Site Web – www.manitowocice.com

Manitowoc (China) International Refrigeration
Company, LTD
No. 151 Jiam Ye Road
Hangzhou Hi-Tech Industry Development Zone
(Bin Jiang)
Hangzhou, Zhejiang 310052
P.R. China
Telephone: 86-571-86888688
Service Fax: 86-571-86622707
Web Site – www.manitowoc.com.cn

MANITOWOC ICE, INC.
Web Site - www.manitowocice.com

© 2006 Manitowoc Ice, Inc.