



Manitowoc
Foodservice
Parts Manual

For more Parts Information:
<https://manitowocfsg.sysonline.com/Default.aspx>

TABLE OF CONTENTS

Manitowoc Foodservice [Updated: Sep. 30, 2013]

Manitowoc - Ice & Related

Parts Catalog

Ice Machine

Q Series

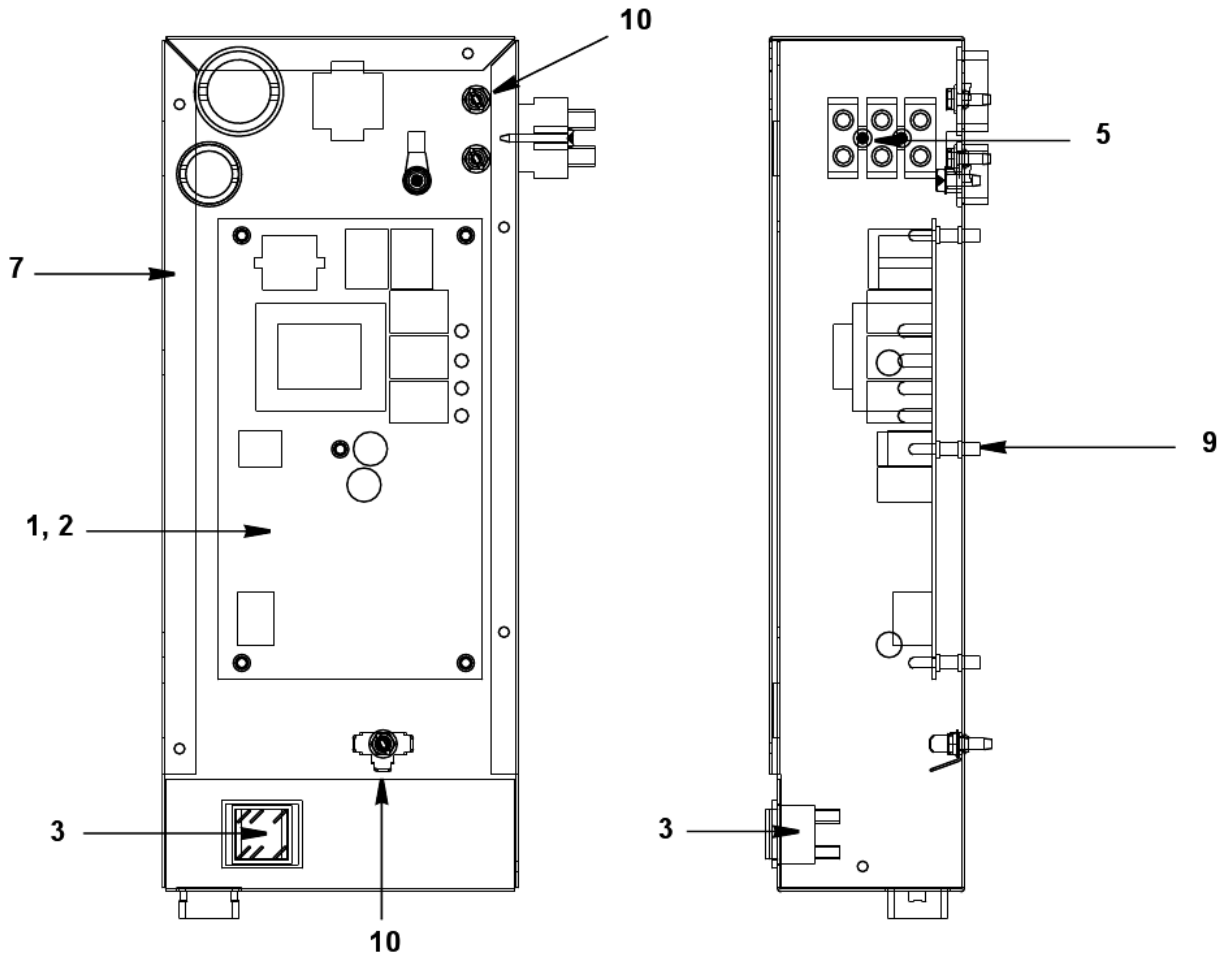
Q Model - QuietQube

Q1400C, CVD1375, CVD1475, CVD1476

Q1400C - Control Box Components	1
Q1400C - Evaporator Compartment - Common Components	3
Q1400C - Refrigeration Compartment - Common Components	5
Q1400C - Head Section - Panels	7
CVD1475/1375 - Condensing Unit - Control Box Components	9
CVD1475/1375 - Condensing Unit - Refrigeration Components	11
CVD1475/1375 - Condensing Unit - Panels	13
CVD1476 - Condensing Unit - Control Box Components	15
CVD1476 - Condensing Unit - Refrigeration Components	17
CVD1476 - Condensing Unit - Panels	19

Q1400C, CVD1375, CVD1475, CVD1476

Q1400C - CONTROL BOX COMPONENTS



Q1400C, CVD1375, CVD1475, CVD1476

Q1400C - CONTROL BOX COMPONENTS

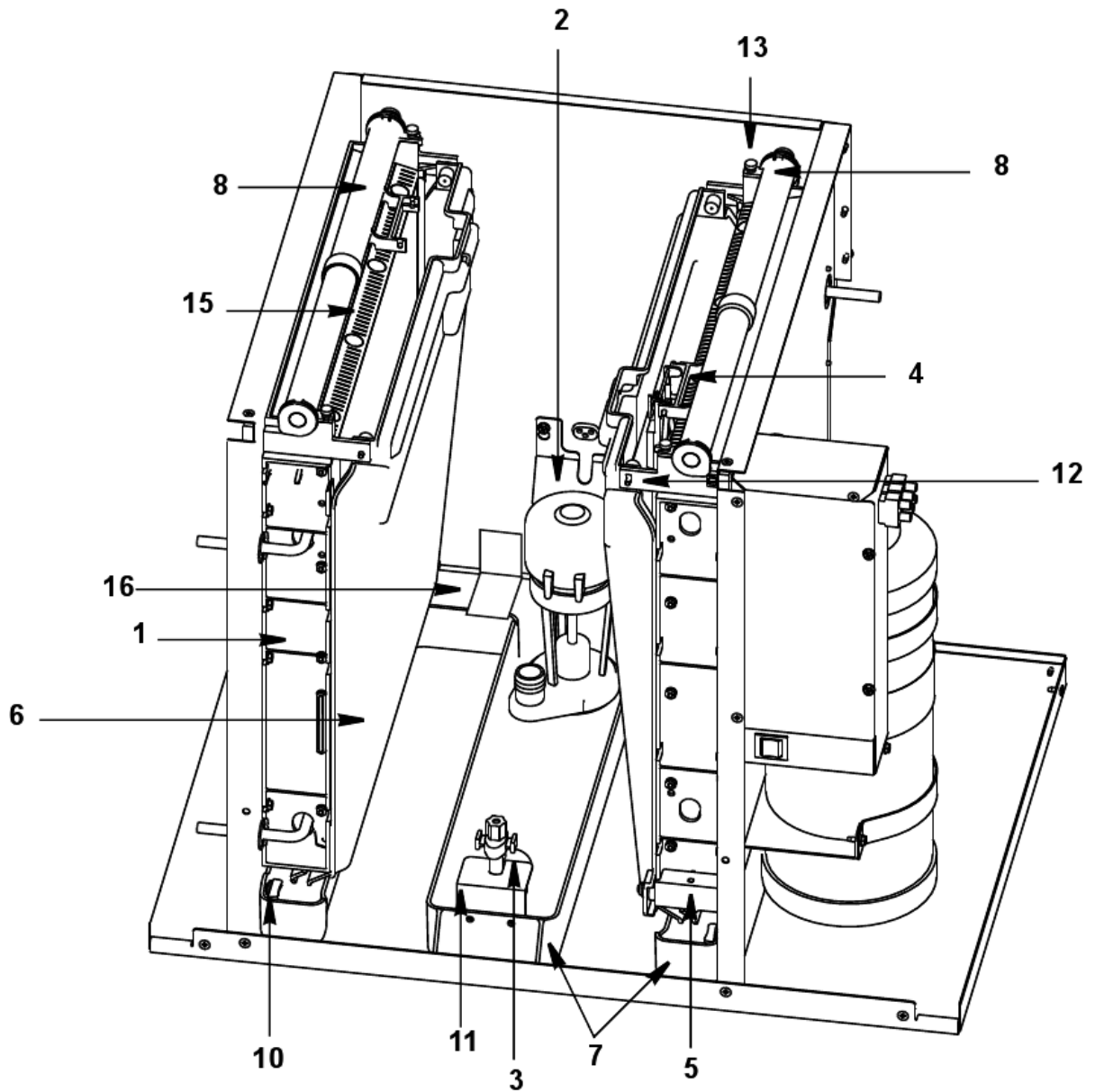
#	PART #	DESCRIPTION	QTY	Note
1	7628003	Control Board		
2	2511003	7 Amp Fuse - Mounted on Control Board		
3	2301343	Toggle Switch Only		
3a	2032173	Toggle Switch with Wiring Harness Attached		
4		Wiring Harness		
4a	2033063	Wiring Harness - 115V/60 Hz/1 Ph		
4b	2033193	Wiring Harness - 230V/50 Hz/1 Ph		
5	2006143	Terminal Block - 50 Hz - 3 Pole		[1]
6	2078113	Wire Lead with Shunt Resistor		
7	6036241	Control Box		
8	7600003	Control Box Cover		
9	4302253	Control Board Mounting Supports		
10	5202169	Screw - #10-24 x 0.50" Ground		
11	5202069	Screw - #10-24 x 0.50" HEX		

PART NOTES:

[1] - 50 Hz Only

Q1400C, CVD1375, CVD1475, CVD1476

Q1400C - EVAPORATOR COMPARTMENT - COMMON COMPONENTS



Q1400C, CVD1375, CVD1475, CVD1476

Q1400C - EVAPORATOR COMPARTMENT - COMMON COMPONENTS

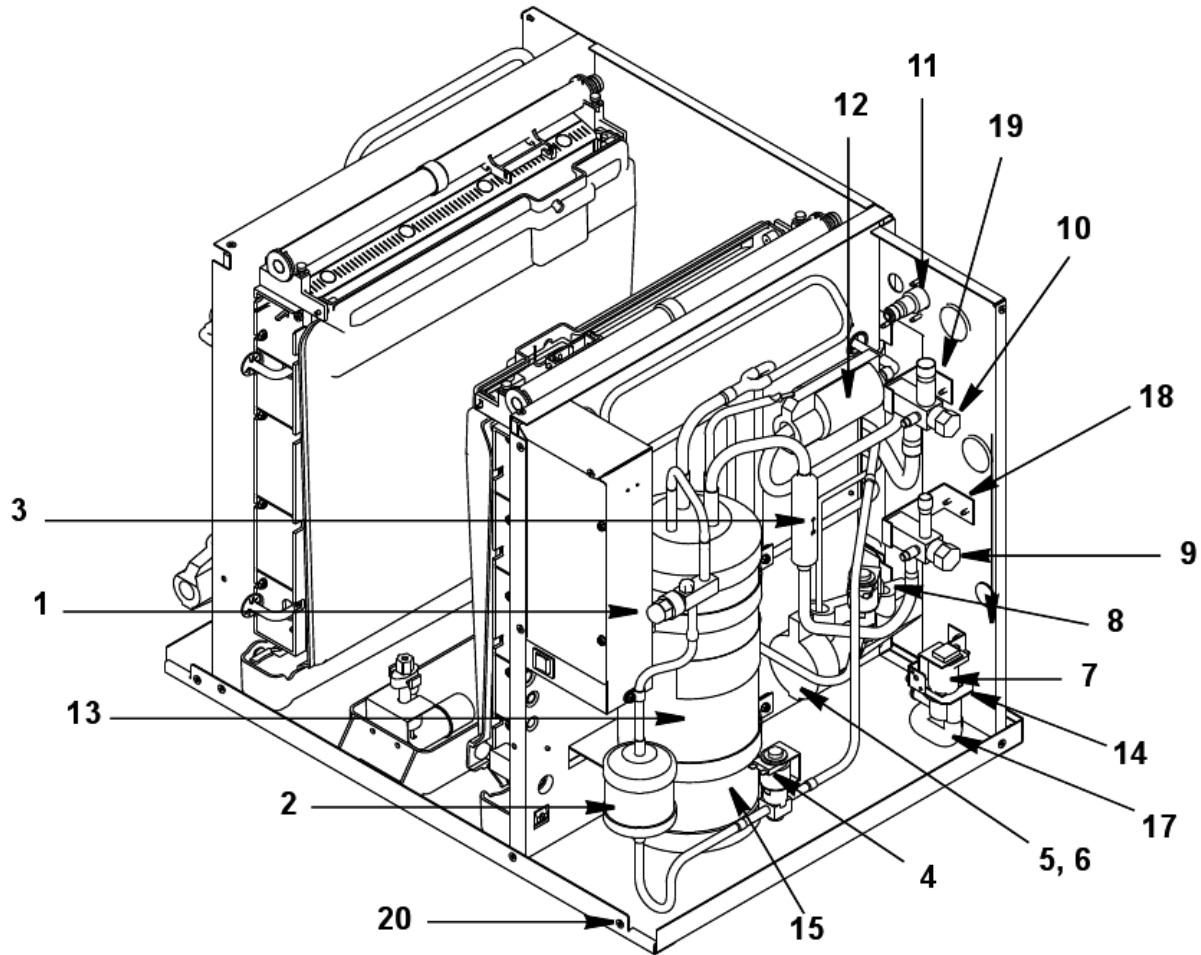
#	PART #	DESCRIPTION	QTY	Note
1		Evaporator Assembly		
1a	7624739	Evaporator - Regular Cube		
2b	7624729	Evaporator - Dice Cube		
2c	7624719	Evaporator - Half Dice Cube		
2		Water Pump		
2a	7623063	Water Pump - 115V/60 Hz		
2b	1480279	Water Pump - 208-230V/50-60 Hz		
3		Float Valve		
3a	8369049	Float Valve Assembly		
3b	8369069	Float Valve Screen		
3c	8369089	Float Valve Plunger		
3d	5650729	Compression Nut		
4	7627813	Ice Thickness Control Probe		
5	2301483	Magnetic Bin Switch		
6	4008513	Water Curtain		
7	4304539	Water Trough		
8	7624983	Water Distribution Tube - B/J/Q		
9	4421483	Water Pump Discharge Tube		
9a	8390123	90 Degree Barbed Fitting		
9b	4421503	Tube		[1]
10a	5650863	Male Wing Nut		
10b	5650853	Female Receptacle		
11	000000136	Float Valve Bracket		
12	7627763	Water Curtain Pin Assembly		
13	5000013	Thumbscrew - #8-32 x 0.375"		
14	7620543	Water Flow Clamp - Use on Regular Cube Evap. Only		
15	7626213	Evaporator Top Molding and Gasket Assembly		
16	7600873	Trough Protectors		

PART NOTES:

[1] - elbow to dump valve

Q1400C, CVD1375, CVD1475, CVD1476

Q1400C - REFRIGERATION COMPARTMENT - COMMON COMPONENTS



Q1400C, CVD1375, CVD1475, CVD1476

Q1400C - REFRIGERATION COMPARTMENT - COMMON COMPONENTS

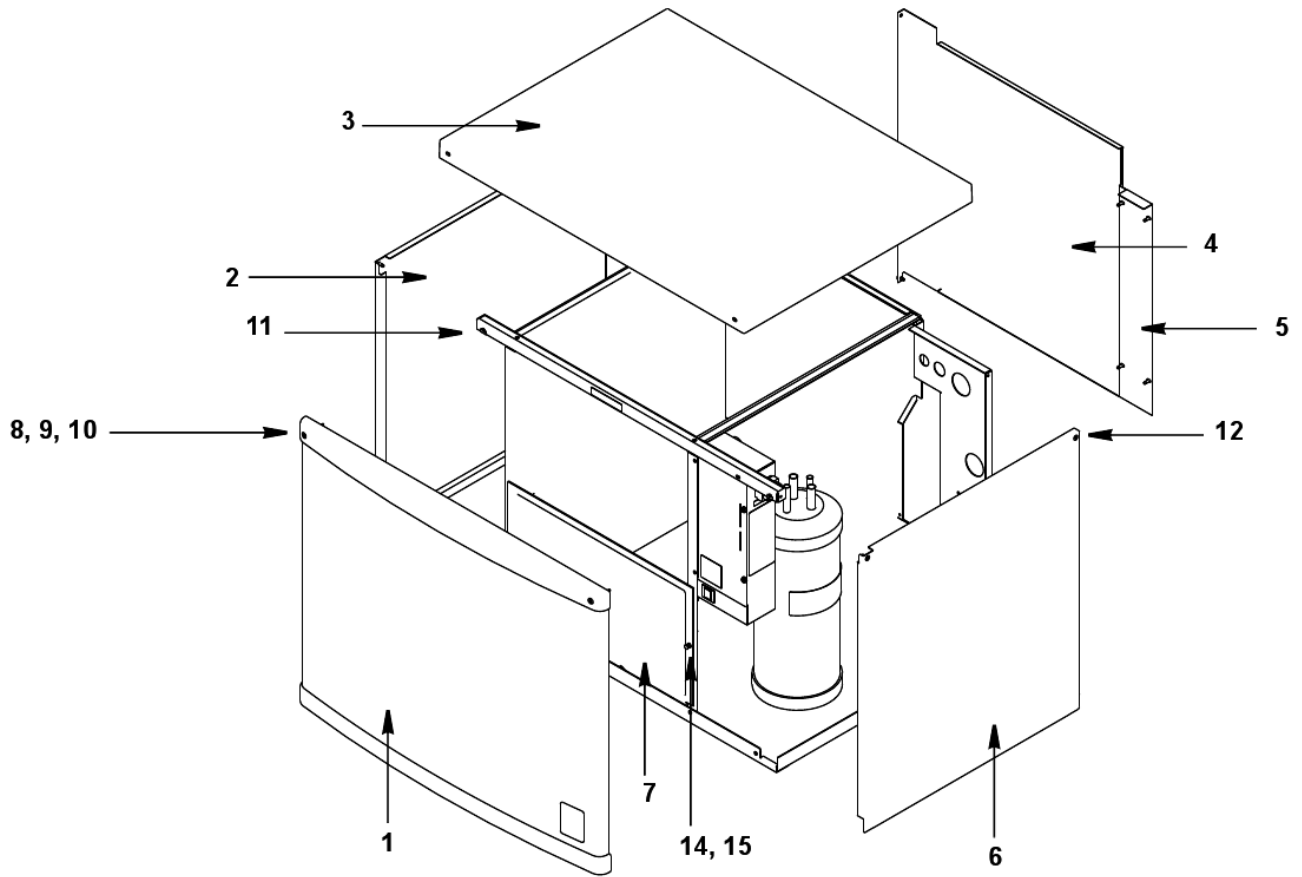
#	PART #	DESCRIPTION	QTY	Note
1	8373169	Receiver Service Valve		
1a	5650753	Caps for Refrigeration Service Valve		
2	8930279	Drier		
3	8373159	Magni-Check Valve - 0.5"		
4		Liquid Line Solenoid Valve		
4a	7630051	Danfoss Solenoid Valve with Coil - 115V/60 Hz		
4b	000005156	Danfoss Solenoid Valve Coil Only - 115V/60 Hz		[1]
4c	2404363	Alco Solenoid Valve Coil Only - 115V/60 Hz		
4d	7630111	Danfoss Solenoid Valve with Coil - 230V/50-60 Hz		
4e	000005157	Danfoss Solenoid Valve Coil Only - 230V/50-60 Hz		[2]
4f	2404483	Alco Solenoid Valve Coil Only - 230V/50 Hz		
5	7600523	Expansion Valve		
6	4007213	Valve Insulation Boot - Body		
7		Dump Valve		
7a	000001767	Water Dump Valve - 115V/60 Hz		
7b	000001768	Water Dump Valve - 208-230V/50-60 Hz		
8		Harvest Valves		[3]
8a	2405433	Solenoid Valve Assembly 115V/60 Hz Alco		
8b	2404363	Alco Solenoid Valve Coil Only - 115V/60 Hz		
8c	2405043	Solenoid Valve Assembly Alco 230V/50 Hz		
8d	2404483	Alco Solenoid Valve Coil Only - 230V/50 Hz		
9	8373273	Manual Shut-off Valve Liquid Line		
10	8373283	Manual Shut-off Valve Suction Line		
10a	4007403	Valve Insulation Boot - Body		[4]
11	8706093	Female Wing Adapter - 0.375"		
12	4007201	Expansion Valve Bulb, Boot		
13	7629593	Receiver		
14	6036271	Dump Valve Bracket		
15	6307214	Receiver Mounting Strap		[5]
16	8706083	Female Wing Adapter - 0.50"		
17	4421493	Dump Valve Drain Tubing		
18	6036721	Bracket - 1/2" Valve		
19	6036261	Bracket - 3/4" Valve		
20	5202099	Screw - #10-24 x 0.50" PHIL		
21	2001813	Wiring Harness - Control Box to Valves		

PART NOTES:

- [1] - \pages from 000005156_02.jpg" width=280 height=256>
- [2] - \pages from 000005156_02.jpg" width=266 height=183>
- [3] - Some Q1400C machines contain Danfoss harvest valves; replace both left & right with Alco.
- [4] - \pages from 400740_02.jpg" width=362 height=281>
- [5] - Interchangeable Top or Bottom

Q1400C, CVD1375, CVD1475, CVD1476

Q1400C - HEAD SECTION - PANELS

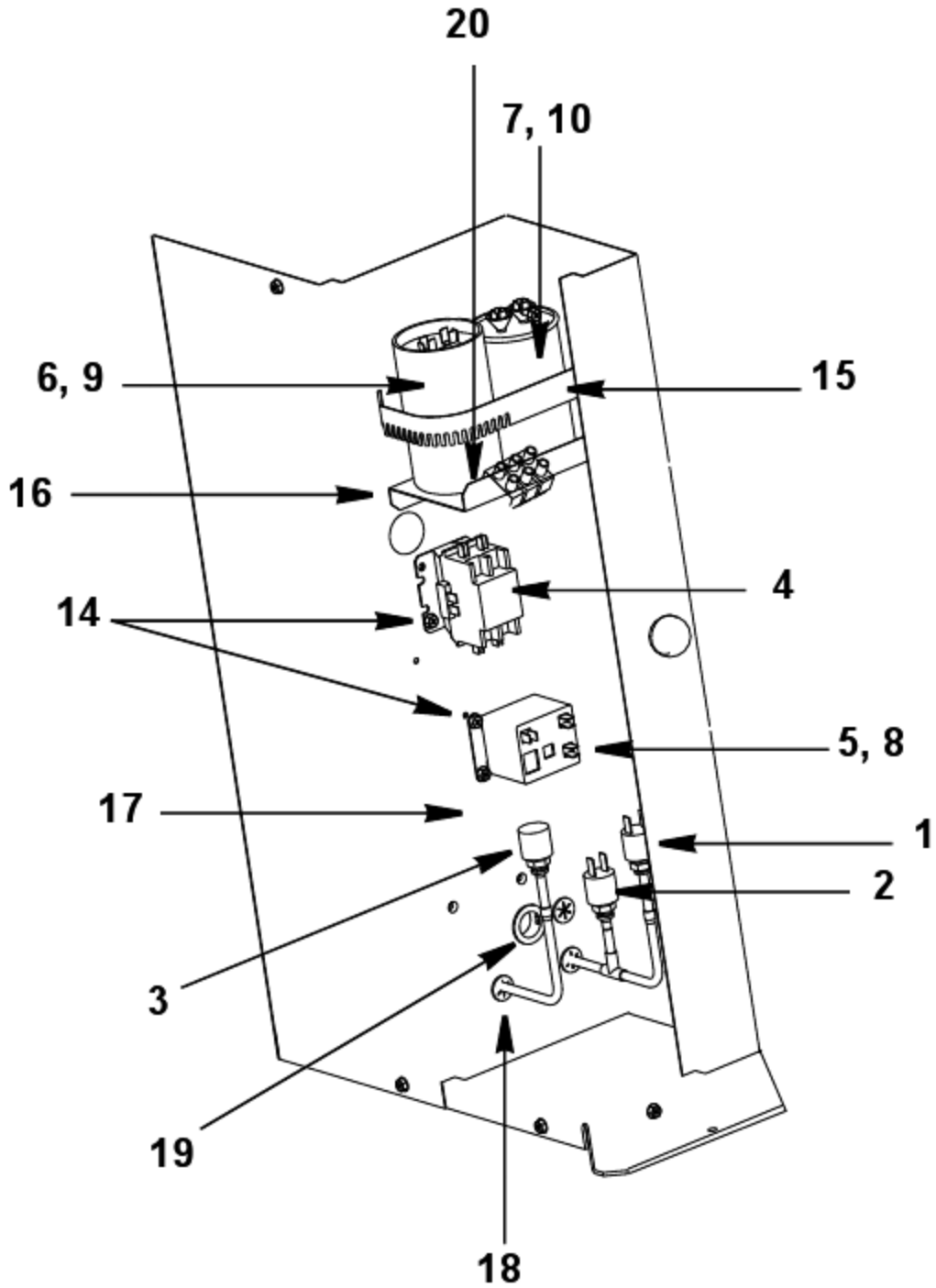


Q1400C, CVD1375, CVD1475, CVD1476

Q1400C - HEAD SECTION - PANELS

#	PART #	DESCRIPTION	QTY	Note
1	7600013	Front Panel Assembly		
2		Left Side Panel		
2a	6036061	Left Side Panel - Up to Serial Number 030361557		
2b	6057541	Left Side Panel - After Serial Number 030361557		
3	4303313	Top Cover		
4		Back Panel		
4a	6037391	Back Panel - Up to Serial Number 030361557		
4b	6059841	Back Panel - After Serial Number 030361557		
5	6037381	Back Coupling Panel		
6	6036051	Right Side Panel		
7	4009653	Water Splash Shield		
8	5119019	Screw - #8 x 1.75"		
9	5573389	Washer - Nylon 0.171" x 0.38"		
10	5648279	Screw Retainer - Nylon #8		
11	5473039	Speed Nut Assembly to Mount Front Cover		
12	5202099	Screw - #10-24 x 0.50" PHIL		
13	9202509	Extruded Tape		
14	5651053	Nylatch Fastener Grommet		
15	5651063	Nylatch Fastener Plunger		

CVD1475/1375 - CONDENSING UNIT - CONTROL BOX COMPONENTS



Q1400C, CVD1375, CVD1475, CVD1476

CVD1475/1375 - CONDENSING UNIT - CONTROL BOX COMPONENTS

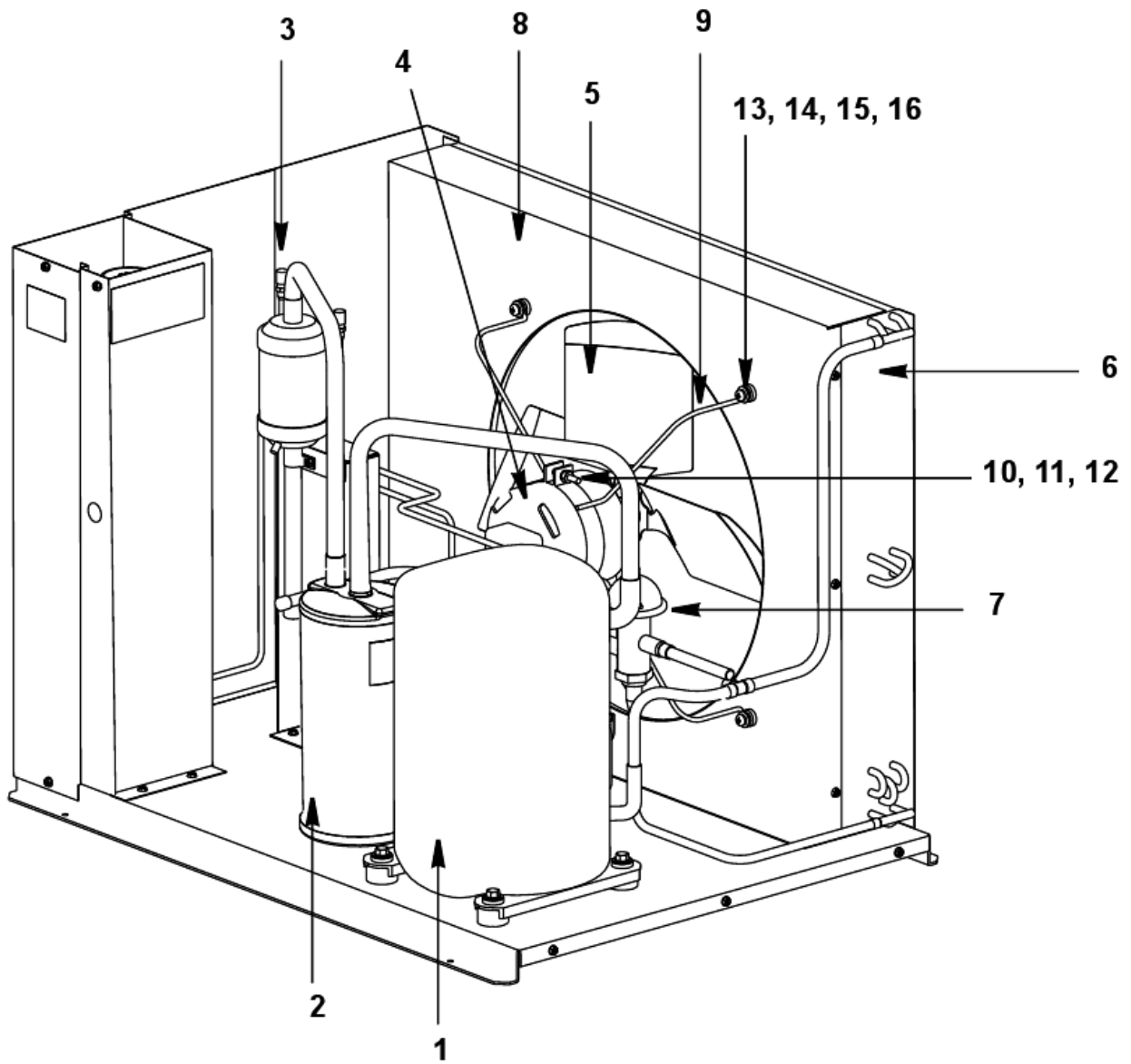
#	PART #	DESCRIPTION	QTY	Note
1	2001263	Fan Cycling Control - 200-250 psig		[1]
2	2001243	High Pressure Cut-out Control		
3	2002229	Low Pressure Cut-out Control		
4		Contactator		
4a	2006609	Contactator - 208-230V/50-60 Hz/1 Ph		
4b	2006619	Contactator - 230V/60 Hz/3 Ph		
		Start Components Tecumseh		
5	2007519	Start Potential Relay - 60 Hz		
5a	2007529	Start Potential Relay - 50 Hz		
6	8505513	Start Capacitor - 50-60 Hz/1 Ph		
7	000001395	Run Capacitor - 208-230V/50-60 Hz/1 Ph		[2]
7a	000000028	Run Capacitor - 208-230V/50-60 Hz/1 Ph		[3]
		Start Components Copeland CS20K6E		
8	2007559	Start Potential Relay - 50-60 Hz/1 Ph		[2]
8a	2007549	Start Potential Relay - 50 Hz/1 Ph		[3]
9	000006455	Start Capacitor 60 Hz/1 Ph		
9a	8505823	Start Capacitor 50 Hz/1 Ph		
10	000000028	Run Capacitor - 208-230V/50-60 Hz/1 Ph		
		Start Components Copeland CS24K6E		
11	2007563	Start Potential Relay - 208-230V/60 Hz/1 Ph		[2]
11a	2007533	Start Potential Relay - 230V/50-60 Hz/1 Ph		[3]
12	000006455	Start Capacitor 60 Hz/1 Ph		[2]
12a	8505133	Start Capacitor - 230V/50-60 Hz/1 Ph		[3]
13	000000028	Run Capacitor - 208-230V/50-60 Hz/1 Ph		[2]
13a	000000025	Run Capacitor 208-230V/50-60 Hz/1 Ph		[3]
14	5202069	Screw - #10-24 x 0.50" HEX		
15	6021601	Capacitor Mounting Strap		
16	6034981	Capacitor Mounting Bracket		
17	5202169	Screw - #10-24 x 0.50" Ground		
18	2500169	Bushing - 0.91" OD x 0.44" ID		
19	2500029	Bushing - 1.125" OD x 0.75" ID		
20	2006143	Terminal Block - 50 Hz - 3 Pole		

PART NOTES:

- [1] - \pages from 200126_09.jpg" width=150 height=306>
- [2] - 60 Hz
- [3] - 50 Hz

Q1400C, CVD1375, CVD1475, CVD1476

CVD1475/1375 - CONDENSING UNIT - REFRIGERATION COMPONENTS



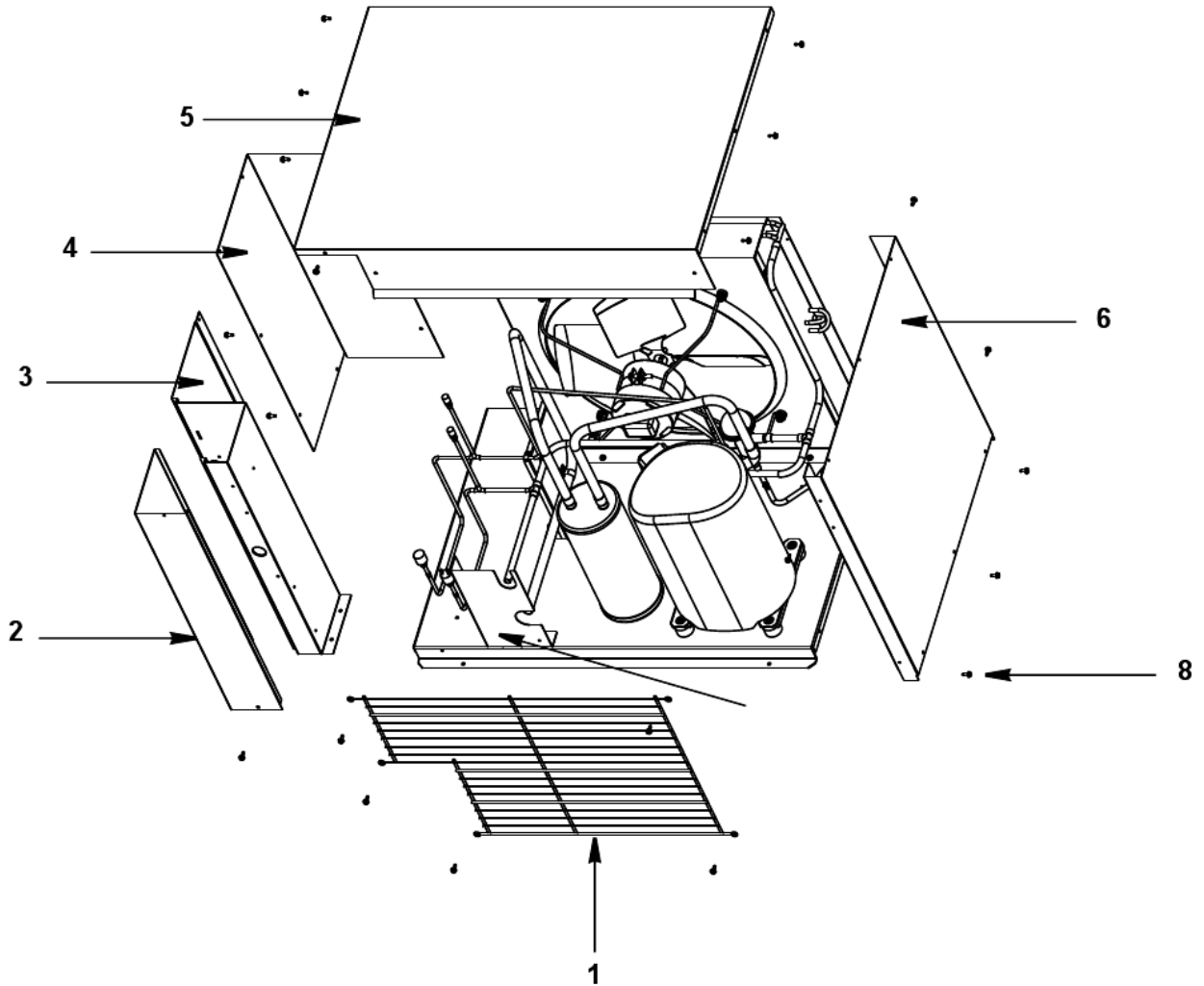
Q1400C, CVD1375, CVD1475, CVD1476

CVD1475/1375 - CONDENSING UNIT - REFRIGERATION COMPONENTS

#	PART #	DESCRIPTION	QTY	Note
1		Compressor		
1a	7603283	Compressor - Copeland - 208-230V/60 Hz/1 Ph		
1b	7603293	Compressor - Copeland - 208-230V/60 Hz/3 Ph		
1c	7603303	Compressor - Copeland - 230V/50 Hz/1 Ph		
2	000007281	Suction Accumulator		
3	8373253	Access Valve		
4		Fan Motor		
4a	2000189	Fan Motor - 208-230V/60 Hz/1-3 Ph		
4b	2000589	Fan Motor - 230-415V/50 Hz/1-3 Ph		
5	2416113	Fan Blade		
6	8851403	Air Condenser		
7	000000973	Head Pressure Control Valve		
8	6034501	Fan Shroud		
9	3006823	Fan Motor Mounting Bracket		
10	5033589	Mounting - Screw		
11	5545119	Mounting - Lockwasher		
12	5429529	Mounting - Hexnut		
13	5033589	Mounting - Screw		
14	5545119	Mounting - Lockwasher		
15	5573059	Mounting - Flatwasher		
16	5429559	Mounting - Rubber Wellnut		
17	8250549	Suction Line Filter		

Q1400C, CVD1375, CVD1475, CVD1476

CVD1475/1375 - CONDENSING UNIT - PANELS



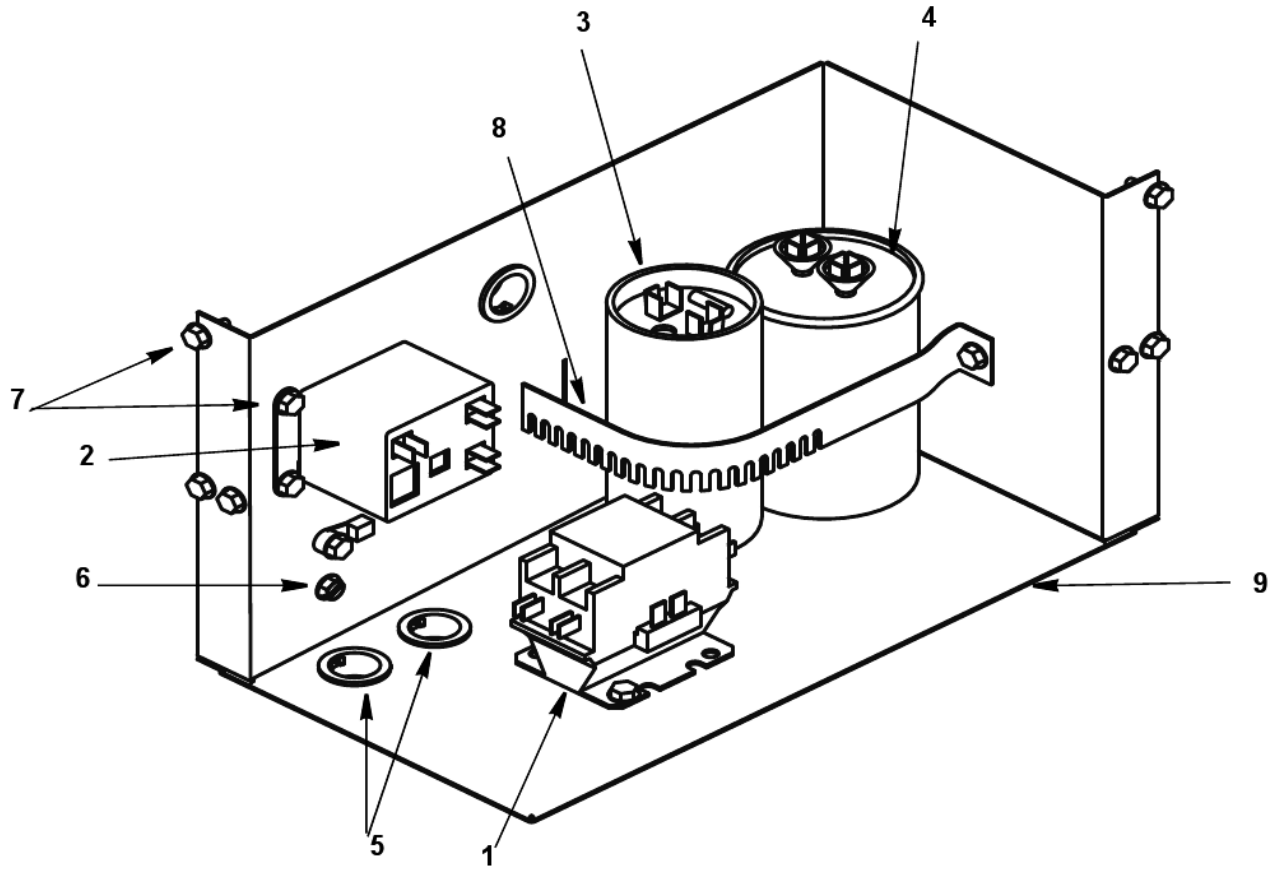
Q1400C, CVD1375, CVD1475, CVD1476

CVD1475/1375 - CONDENSING UNIT - PANELS

#	PART #	DESCRIPTION	QTY	Note
1	3406893	Condenser Fan Guard		
2	6040171	Control Box Cover		
3	6037071	Control Box Panel		
4	6037321	Left Side Panel		
5	6034751	Cover Top		
6	6034701	Right Side Panel		
7	6042261	Condensing Unit Tube Shield		
8	5202069	Screw - #10-24 x 0.50" HEX		

Q1400C, CVD1375, CVD1475, CVD1476

CVD1476 - CONDENSING UNIT - CONTROL BOX COMPONENTS



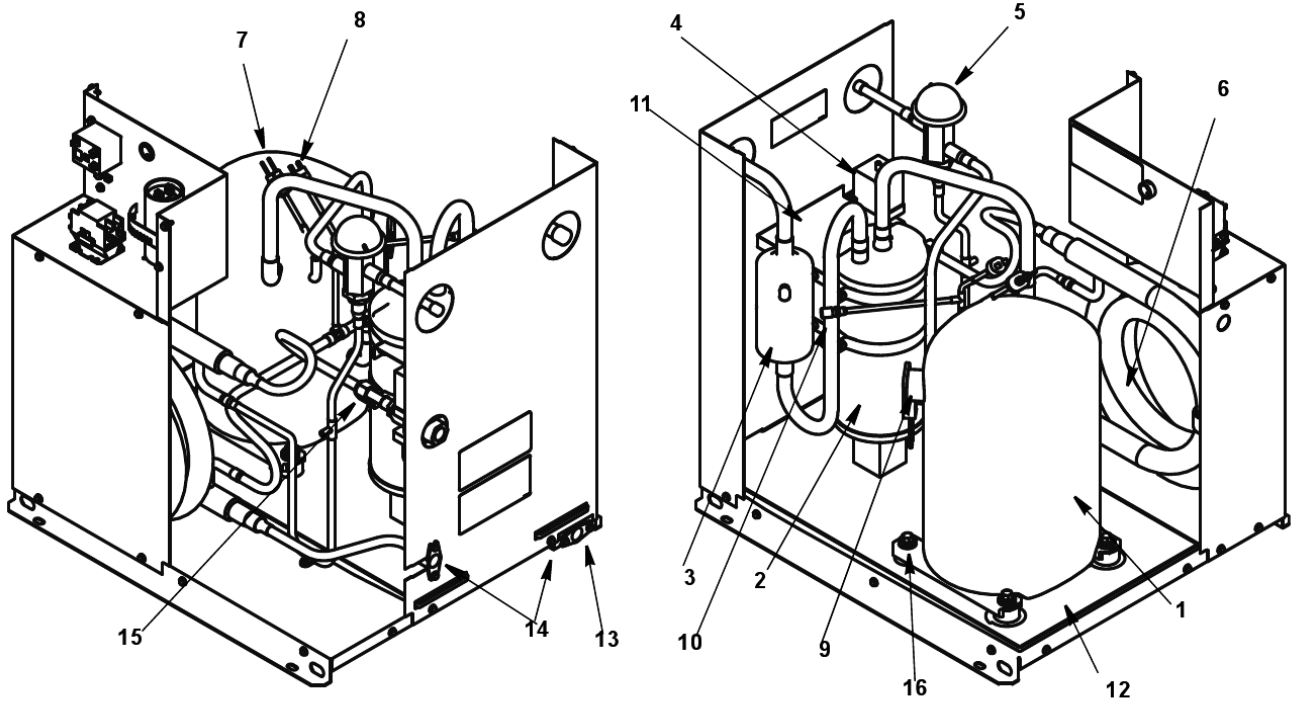
Q1400C, CVD1375, CVD1475, CVD1476

CVD1476 - CONDENSING UNIT - CONTROL BOX COMPONENTS

#	PART #	DESCRIPTION	QTY	Note
1		Contactor		
1a	2006609	Contactor - 208-230V/50-60 Hz/1 Ph		
1b	2006619	Contactor - 230V/60 Hz/3 Ph		
2	2007559	Start Potential Relay - 50-60 Hz/1 Ph		
3	000006455	Start Capacitor 60 Hz/1 Ph		
4	000000028	Run Capacitor - 208-230V/50-60 Hz/1 Ph		
5	2501409	Bushing - 0.875"		
6	5202169	Screw - #10-24 x 0.50" Ground		
7	5202069	Screw - #10-24 x 0.50" HEX		
8	6021601	Capacitor Mounting Strap		
9	7601653	Control Box		
10		Wiring Harness		
10a	2000559	Wiring Harness 208-230V/60Hz/1Ph		
10b	2000563	Wiring Harness 208-230V/60Hz/3Ph		

Q1400C, CVD1375, CVD1475, CVD1476

CVD1476 - CONDENSING UNIT - REFRIGERATION COMPONENTS



Q1400C, CVD1375, CVD1475, CVD1476

CVD1476 - CONDENSING UNIT - REFRIGERATION COMPONENTS

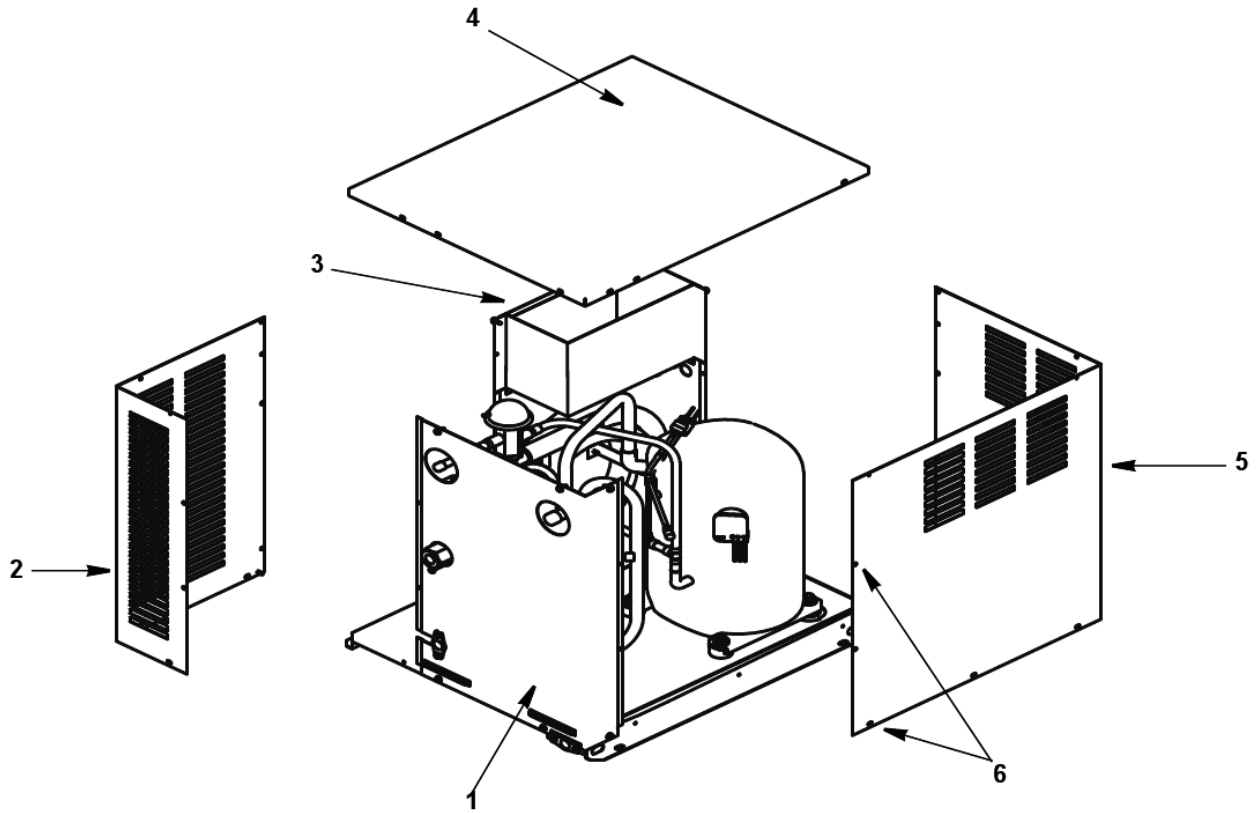
#	PART #	DESCRIPTION	QTY	Note
1		Compressor		
1a	7601623	Compressor - Copeland - 208-230V/60 Hz/1 Ph		
1b	7601633	Compressor - Copeland - 208-230V/60 Hz/3 Ph		
2	000007281	Suction Accumulator		
3	8250549	Suction Line Filter		
4		Water Regulating Valve		
4a	8252403	Water Regulating Valve - 150 psig		
4b	8372173	Water Regulating Valve - 350 psig		[1]
5	000001982	Head Pressure Control Valve		
6	8251283	Water Cooled Condenser		
7	2002229	Low Pressure Cut-out Control		
8	2001243	High Pressure Cut-out Control		
9	2006233	Molded Plug		
10	8373253	Access Valve		
11	6055571	Receiver Mounting Bracket Upper/Lower		
12		Drain Pan Assembly		[2]
13	4008443	Drain Pan White Vinyl Drain tube		
14	8706083	Female Wing Adapter - 0.50"		
15	8334193	Water Regulating Valve Union		
16		Compressor Mounting		
16a	5000173	Bolt		
16b	8503069	Mounting - Rubber Grommet		
16c	5573099	Mounting - Flatwasher		
16d	5000109	Metal Sleeve		

PART NOTES:

- [1] - High Pressure Option
- [2] - No Longer Available

Q1400C, CVD1375, CVD1475, CVD1476

CVD1476 - CONDENSING UNIT - PANELS



Q1400C, CVD1375, CVD1475, CVD1476

CVD1476 - CONDENSING UNIT - PANELS

#	PART #	DESCRIPTION	QTY	Note
1	6051141	Component Mounting Panel		
2	6051151	Left Side Panel		
3	7601643	Control Box Panel		
4	6055531	Cover Top		
5	6051161	Right Side Panel		
6	5202069	Screw - #10-24 x 0.50" HEX		