



**Ice Machine Parts List for
Series Q Dispensers
Models***

QFA291

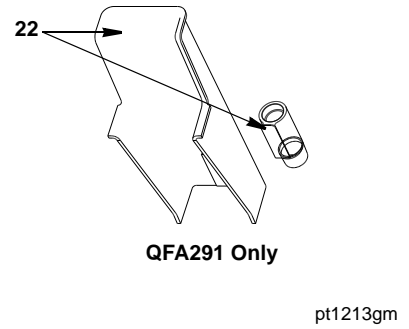
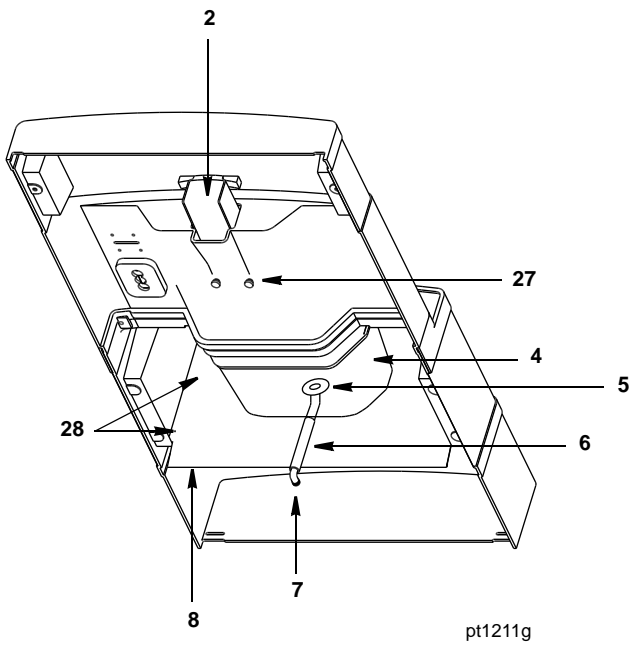
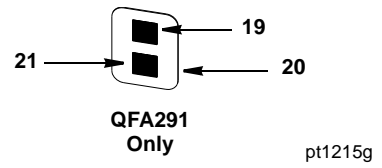
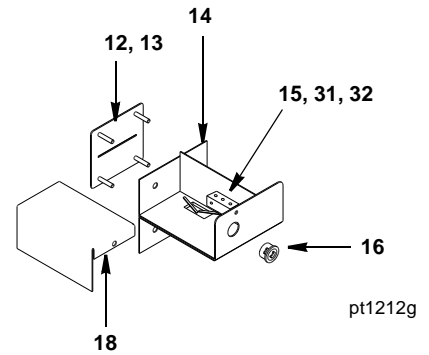
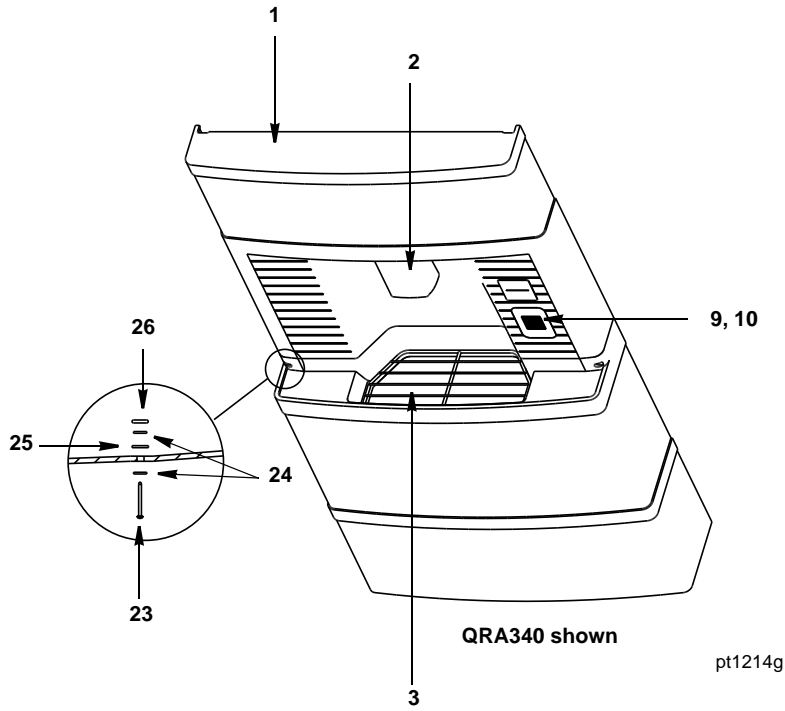
QRA340

QPA310

QCA330

***Covers serial numbers up to 980565665, 980565693 to 981062222, 981062253 to 981063559.**

QPA310, QRA340, QFA291, QCA330 DOOR ASSEMBLY

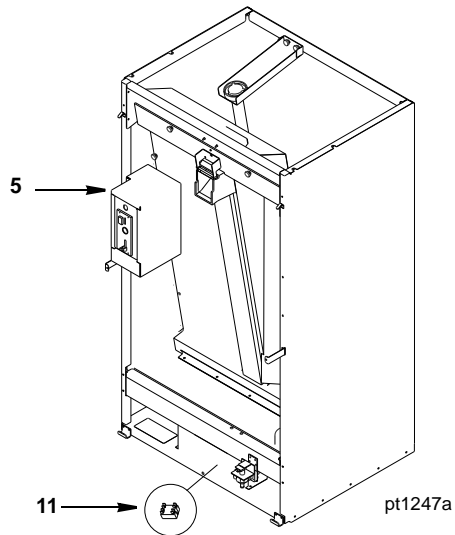
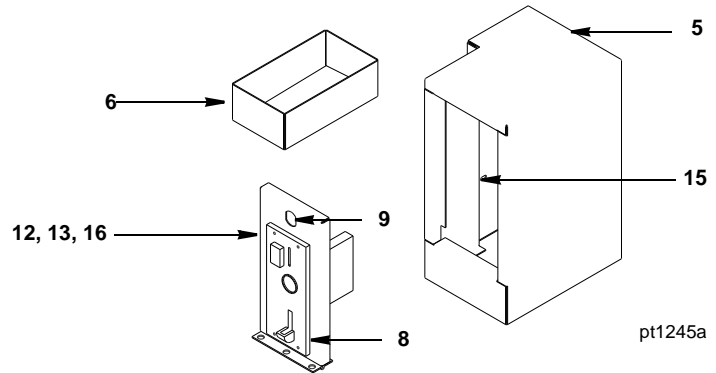
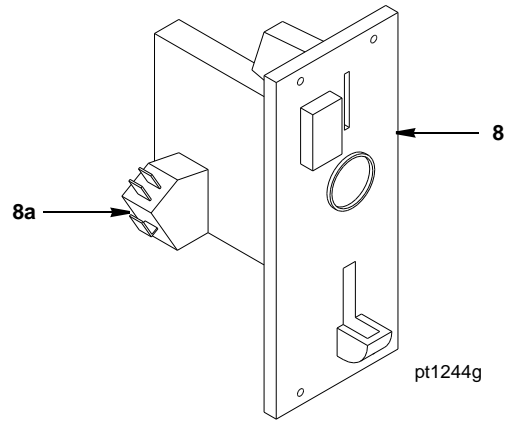
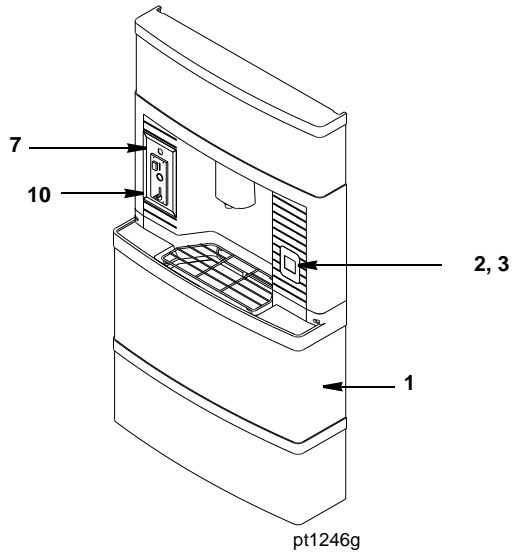


QPA310, QRA340, QFA291, QCA330 DOOR ASSEMBLY, CONTINUED

DESCRIPTION	PART NO.
QPA310, QRA340, QFA291, QCA330	
1 Main Door Assembly	
a. QPA310 Push Button	No Longer Available
b. QRA340 Room Card	No Longer Available
c. QFA291 Push Button Glass Fill	No Longer Available
d. QCA330 Coin	No Longer Available
See Pages 4 and 5 for coin mechanism parts.	
2 Ice Chute	4303423
3 Wire Grill	
a. Glass Fill (QFA291)	3406863
b. Clamp, Hold Down	5650033
c. Screw for Hold Down Clamp	† 5012349
d. Bucket Fill (QPA310, QRA340, QCA330)	† 9750023
4 Catch Basin Assembly	7628643
5 90 Degree Drain Fitting Assembly	7628653
6 Vinyl Tubing 5/8" ID	† 4420383
7 90 Degree Barbed Fitting	8390123
8 Drip Rail	No Longer Available
QPA310, QRA340, QCA330	
9 Push Button Switch Assembly "ICE"	2301563
MicroSwitch Only	2301573
10 Single Switch Plate	9607093
11 Push Button Wiring Harness (Not shown)	2032673
QRA340	
12 Label "Insert Room Key Card"	No Longer Available
13 Room Card Access Plate	No Longer Available
14 Bracket Assembly (Card/Micro Switch)	6028861
15 Room Card Micro Switch	6270314
16 Bushing	2502183
17 Room Card Wiring Harness (Not shown)	2032623
18 Cover (Card/Micro Switch)	No Longer Available
QFA291	
19 Push Button Switch Assembly "Water"	2301553
20 Push Button Switch Assembly "ICE"	2301543
Micro-Switch Only	2301573
21 Dual Switch Plate	9607103
22 Inner Chute/Water Spout Assembly	No Longer Available
a. Aerator Only	8390173
QPA310, QRA340, QFA291, Miscellaneous – Brackets, Screws, etc.	
23 Screw Pan Head #8 x 1 1/4"	† 5119029
24 Nylon Flat Washer	† 5573389
25 Flat Washer	† 5573049
26 O-Ring	† 3718199
27 Knurled Thumbscrews	† 5305049
28 Screw #10-12 x 3/4"	† 5134729
29 Room Card Access Plate Lockwasher #8 (Not shown)	† 5544599
30 Room Card Access Plate Hexnut #8-32 (Not shown)	† 5429069
31 Room Card Micro-Switch Hexnut #6-32 x 5/16"	No Longer Available
32 Room Card Micro-Switch Lockwasher #6	No Longer Available
33 Panel Retainer Clip Assembly (Not shown)	7629253

† Refer to Cross Reference Guide

QCA330 COIN MECHANISM ASSEMBLY

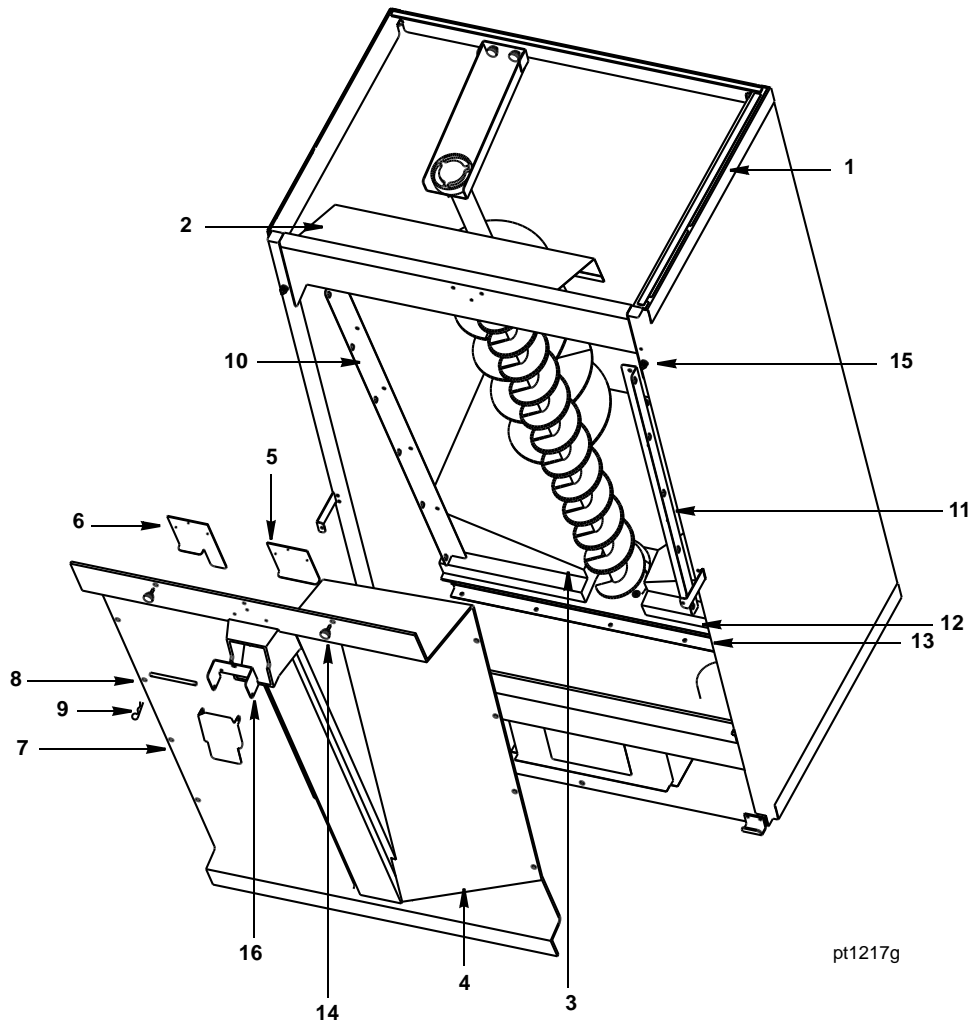


QCA330 COIN MECHANISM ASSEMBLY, CONTINUED

DESCRIPTION	PART NO.
QCA330	
1 Main Door Assembly	
a. QCA330 Coin	No Longer Available
See Pages 2 and 3 for Main Door Assembly parts.	
QCA330	
2 Push Button Switch Assembly "ICE"	2301563
a. Micro-Switch Only	2301573
3 Single Switch Plate	9607093
4 Wiring Harness (Not shown)	2032673
5 Coin Box Assembly	No Longer Available
6 Cash Box	No Longer Available
7 Coin Door Assembly	6030501
8 Coin Mechanism	No Longer Available
a. Micro-Switch Only	No Longer Available
9 Cam Lock	3060273
a. Cam Lock Key (Not shown)	3060283
10 Coin Box Assembly Frame	6030171
11 Vend Relay	
a. Vend Relay 120V	2406483
b. Vend Relay 230V	No Longer Available
c. Vend Relay Wiring Lead (Not shown)	2032603
QCA330, Miscellaneous – Brackets, Screws, etc.	
12 Bolt	No Longer Available
13 Lockwasher #8	† 5544599
14 Nylon Wire Harness Clips (Not shown)	† 5650809
15 Knurled Thumbscrews #8-32	† 5305049
16 Hex-Nut #8-32	† 5429069

† Refer to Cross Reference Guide

QPA310, QRA340, QFA291, QCA330 CABINET ASSEMBLY



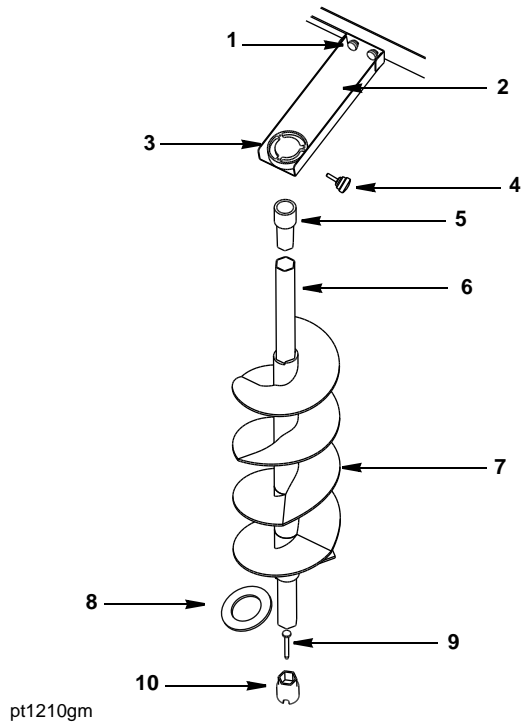
QPA310, QRA340, QFA291, QCA330 CABINET ASSEMBLY, CONTINUED

DESCRIPTION	PART NO.
QPA310, QRA340, QFA291, QCA330	
1 Foam Tape	† 9202489
2 Deflector	No Longer Available
3 False Bottom	No Longer Available
4 Access Door Assembly	7628673
5 Ice Restrictor Q310, Q340	6286814
6 Ice Restrictor Q291 Only	6061621
7 Ice Chute Door	No Longer Available
8 Ice Chute Door Pivot Pin	6026791
9 Ice Chute Door Cotter Pin	† 3712031
QPA310, QRA340, QFA291, QCA330 Miscellaneous – Brackets, Screws, etc.	
10 Left Hand Access Door Mounting Bracket	No Longer Available
11 Right Hand Access Door Mounting Bracket	6647114
12 Access Door Base Bracket	No Longer Available
13 Access Door Retainer Bracket	No Longer Available
14 Knurled Thumbscrew	† 5305049
15 Upper Door Retainer (Round Mounting Hole)	No Longer Available
a. Upper Door Retainer (Square Mounting Hole)	No Longer Available
b. Mounting Screen	† 5202059
16 Ice Chute Door Mounting Bracket	No Longer Available
17 Lower Back Panel (Not shown)	6024551
18 Drip Bracket Assembly (Not shown)	
a. Q300 Dispenser	No Longer Available
b. Q290 Dispenser	† 7629303

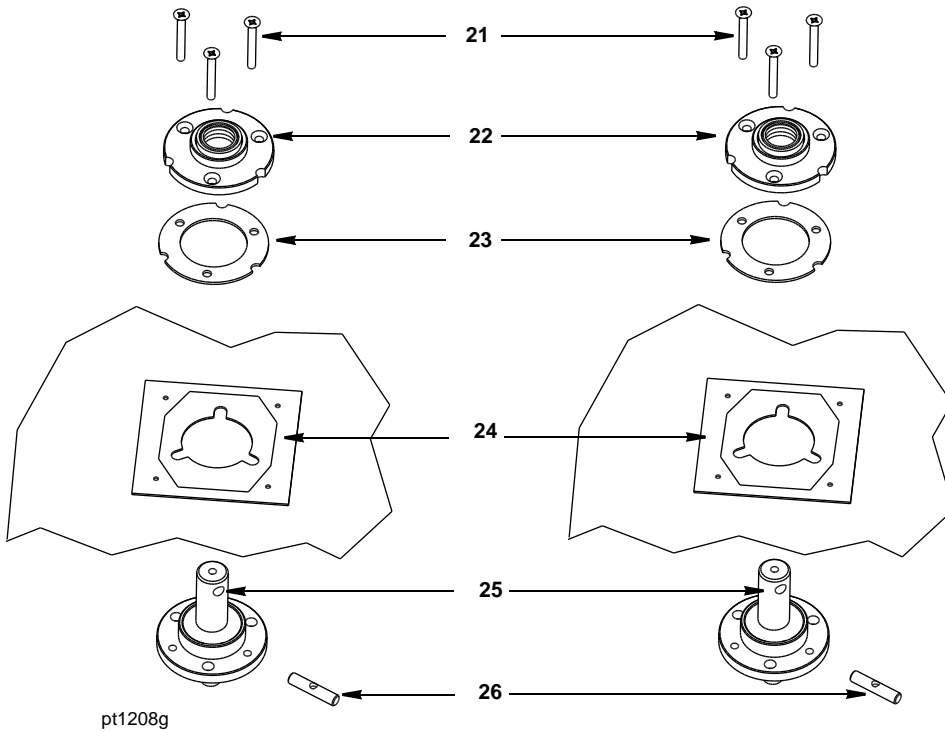
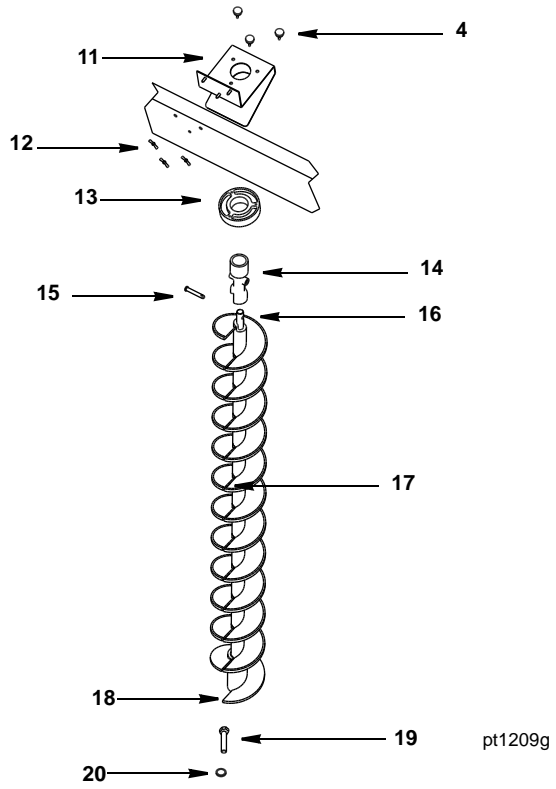
† Refer to Cross Reference Guide

QPA310, QRA340, QFA291, QCA330 AUGER AND BEARING ASSEMBLY

Agitator Auger Assembly



Delivery Auger Assembly

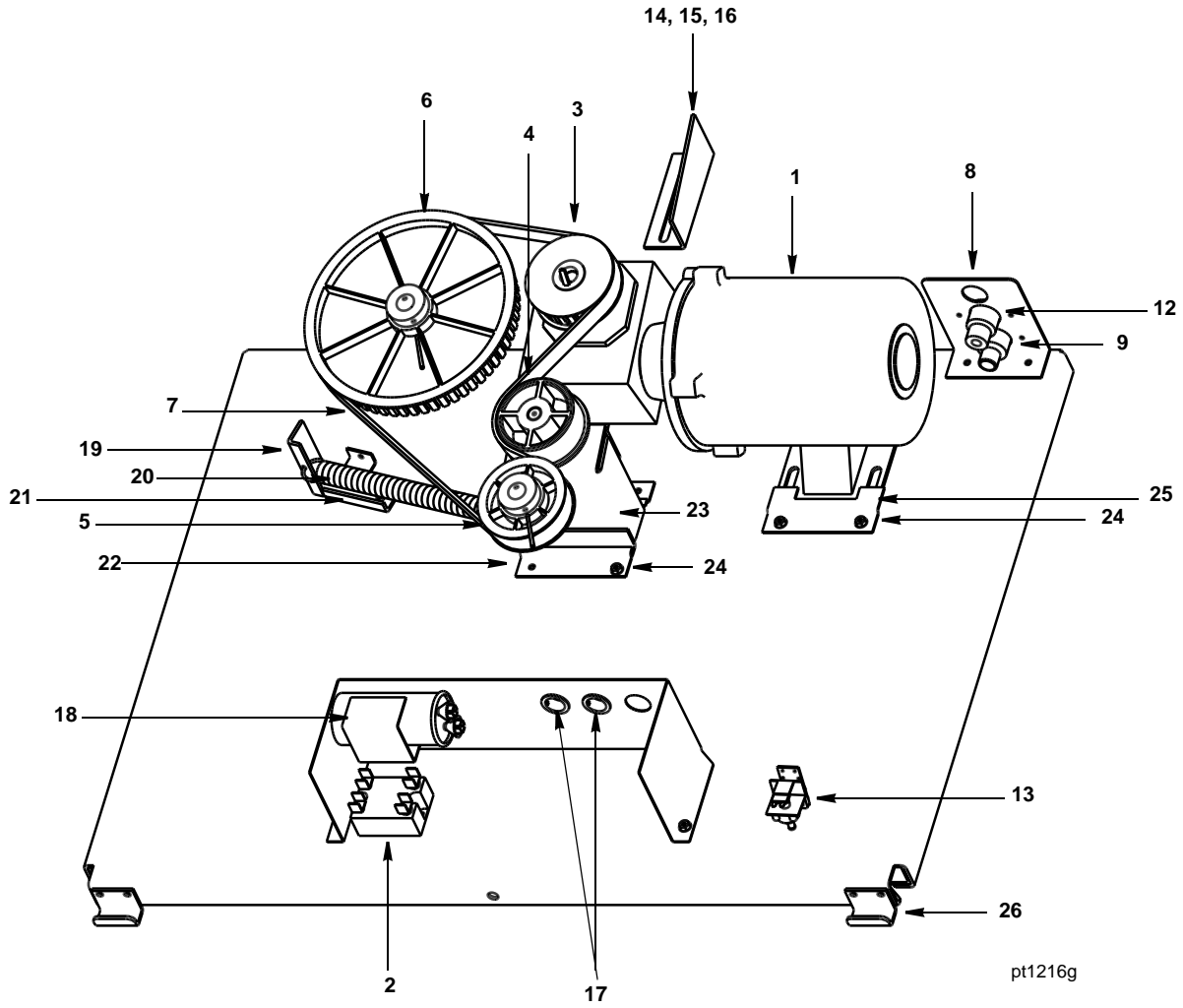


QPA310, QRA340, QFA291, QCA330 AUGER AND BEARING ASSEMBLY, CONTINUED

DESCRIPTION	PART NO.
QPA310, QRA340, QFA291, QCA330 Agitator Auger Assembly	
1 Thumbscrews #8-32	† 5305049
2 Agitator Auger Mounting Bracket	No Longer Available
3 Agitator Auger Upper Bearing	4301743
4 Thumbscrew #8 x 1/2"	† 5012169
5 Upper Bearing Coupling	4301683
6 Agitator Shaft	6652414
7 Agitator Auger Flighting 8" OD (Uses 5)	4301913
8 Agitator Shaft Washer (Not shown)	6280213
9 1/4"-20 x 1" Bolt	† 5033539
10 Lower Bearing Coupling	4301693
QPA310, QRA340, QFA291, QCA330, Delivery Auger Assembly	
11 Delivery Auger Mounting Bracket	6024441
12 Wingnut #8-32	† 5489089
13 Delivery Auger Upper Bearing	4301753
14 Delivery Auger Upper Bearing Coupling	4303843
15 Clevis Pin	3712083
16 Delivery Auger Shaft	000000168
17 Delivery Auger Flighting 4" OD (Uses 11)	5031191
18 Lower Coupling Flight	5031190
19 1/4"-20 x 1/2" Bolt	† 5032369
20 1/4" Lock Washer	† 5545119
QPA310, QRA340, QFA291, QCA330, Bearing Assembly	
21 Cap Screws 1/4"-20 x 2 1/8"	5013253
22 Bearing Housing Assembly	† 7623373
23 Bearing Gasket	3718163
24 Bearing Mounting Plate	6028131
25 Bearing Housing Assembly w/Shaft	7623143
26 Retaining Pin	3710323

† Refer to Cross Reference Guide

QPA310, QRA340, QFA291, QCA330 BASE ASSEMBLY



QPA310, QRA340, QFA291, QCA330 BASE ASSEMBLY, CONTINUED

DESCRIPTION	PART NO.
1 Drive Motor/Gear Reducer Assy. QPA310, QRA340, QFA291, QCA330	
a. Assembly 115V/60Hz	† 7626813
b. Drive Motor Only 115V/60Hz	7626803
c. Run Capacitor 115V/60Hz	8504813
d. Assembly 220/240V/50Hz.	† 7626833
e. Drive Motor Only 220/240V/50Hz	7626823
f. Run Capacitor 220/240V/50Hz	† 8503413
Gear Reducer cannot be ordered separately.	
2 Relay	No Longer Available
3 Drive Pulley	3740083
4 Belt Tension Pulley.	4301723
a. Washer (Not shown)	† 5573399
b. Screw (Not shown)	No Longer Available
5 Delivery Auger Pulley.	3740123
a. Roll Pin	† 3712049
6 Agitator Auger Pulley	3740103
a. Roll Pin	† 3712049
7 Drive Belt	3700213
8 6' Power Supply Cord	2030673
9 Drain Fitting 1/2" FPT.	8706083
a. Vinyl Tubing 5/8" ID – 7/8" OD (Not shown)	† 4420383
10 Wiring Harness (Not shown Q310, Q330, Q340 Only)	2032603
Q291	
11 Wiring Harness (Not shown)	2032613
12 Water Inlet Female Wing Adapter	† 8706093
a. Male Water Inlet Compression Nut (Not shown).	1360961
b. Polyflow Tubing 1/4" OD (Not shown).	4420291
13 Water Inlet Valve	
a. Water Inlet Valve Assembly Including 115V 50-60 Cycle Coil	† 000007965
b. Water Inlet Valve 115V 50-60 Cycle Coil Only	000005156
c. Water Inlet Valve Assembly Including 220-240V 50-60 Cycle Coil	† 000007966
d. Water Inlet Valve 220-240V 50-60 Cycle Coil Only	000005157
QPA310, QRA340, QFA291, QCA330 Miscellaneous – Brackets, Screws, etc.	
14 Gear Box Angle Bracket Assembly	6026101
15 Screw 5/16" – 18 x 5/8" Machine	† 5035659
16 Lockwasher 5/16" Split.	† 5573139
17 Bushing 7/8" OD	† 2501409
18 Run Capacitor Mounting Bracket	No Longer Available
19 Spring Tension Lock Bracket	No Longer Available
20 Tension Spring	3300163
21 Tension Lock Bracket.	No Longer Available
22 Tension Bracket Guide.	No Longer Available
23 Belt Tension Pulley Mounting Bracket	6658414
24 Screw #10-24 x 1/2".	† 5202069
25 Gear Motor Lock Bracket	6281014
26 Door Support Bracket.	No Longer Available
27 Control Box Cover (Not shown)	No Longer Available
28 Lower Back Panel (Not shown)	6024551

† Refer to Cross Reference Guide

INTENTIONALLY LEFT BLANK