



***Manitowoc***  
Foodservice  
**Parts Manual**

For more Parts Information:  
<https://manitowocfsg.sysonline.com/Default.aspx>

# TABLE OF CONTENTS

Manitowoc Foodservice [Updated: Sep. 30, 2013]

Manitowoc - Ice & Related

Parts Catalog

Ice Machine

Q Series

QM Model - UnderCounter

QM045

QM45 - Control Box Components ..... 1

QM45 - Evaporator Compartment - Common Components ..... 3

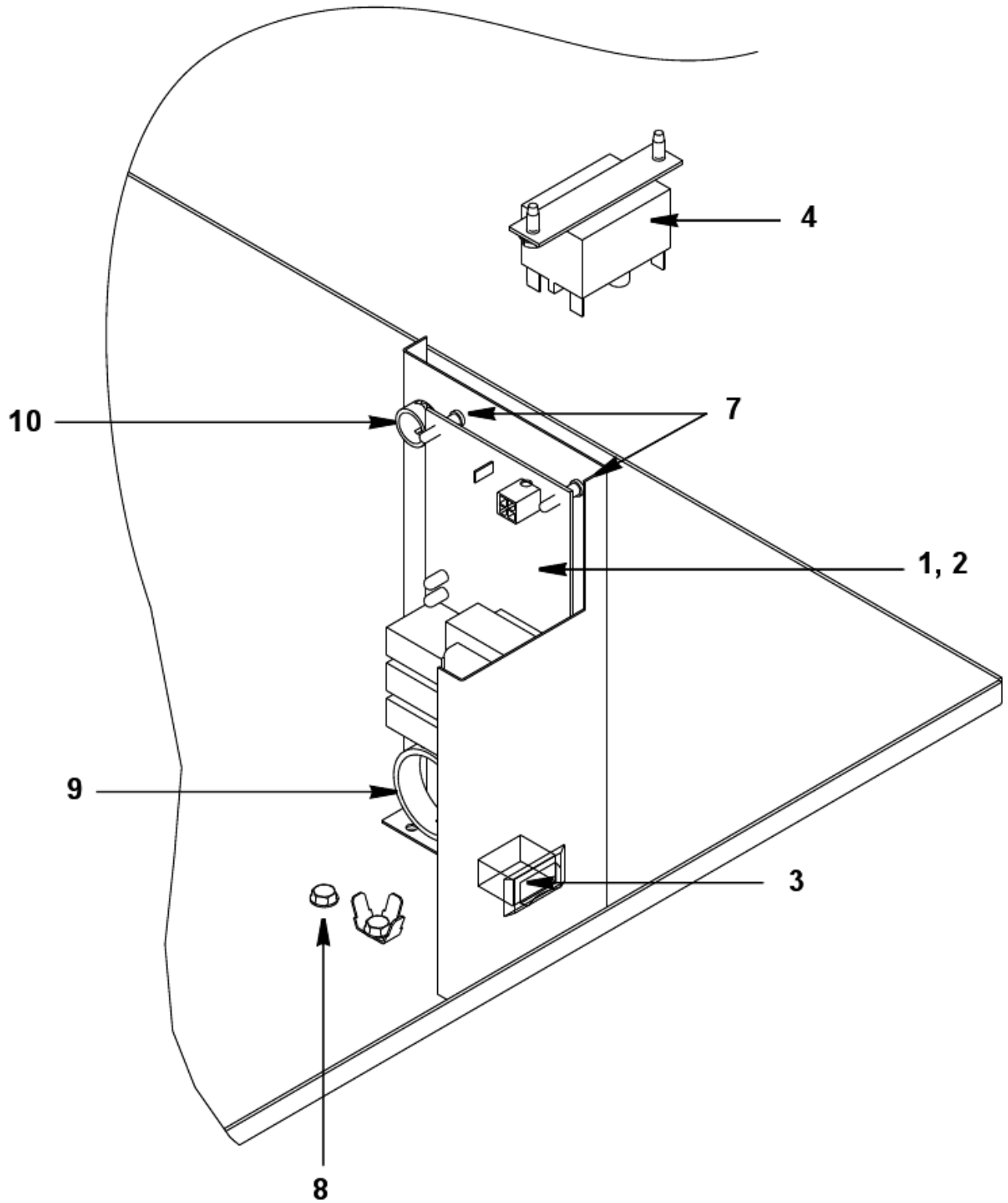
QM45 - Refrigeration Compartment - Common Components ..... 5

QM45 - Refrigeration Compartment - Air-cooled Components ..... 7

QM45 - Panels ..... 9

# QM045

## QM45 - CONTROL BOX COMPONENTS



# QM045

## QM45 - CONTROL BOX COMPONENTS

#	PART #	DESCRIPTION	QTY	Note
1	7629073	Control Board		
2	2511493	10 Amp Fuse		
3	2301513	Toggle Switch		
3a	2032483	Wiring Harness - Toggle Switch		
4		Relay		
4a	8505533	Relay - 115V/60 Hz/1 Ph		
4b	8505543	Relay - 230V/50-60 Hz/1 Ph		
5		Wiring Harness		
5a	2008303	Wiring Harness - Air-cooled		
6		Power Cord		
6a	040001218	Power Cord - 115V/60 Hz		
6b	2033023	Power Cord - 230V/50-60 Hz		
7	4302253	Control Board Mounting Supports		
8	5202323	Screw, #10-24 x .50 Ground		
9	2500139	Bushing - 1.5"		
10	2502189	Bushing - 0.625"		



# QM045

## QM45 - EVAPORATOR COMPARTMENT - COMMON COMPONENTS

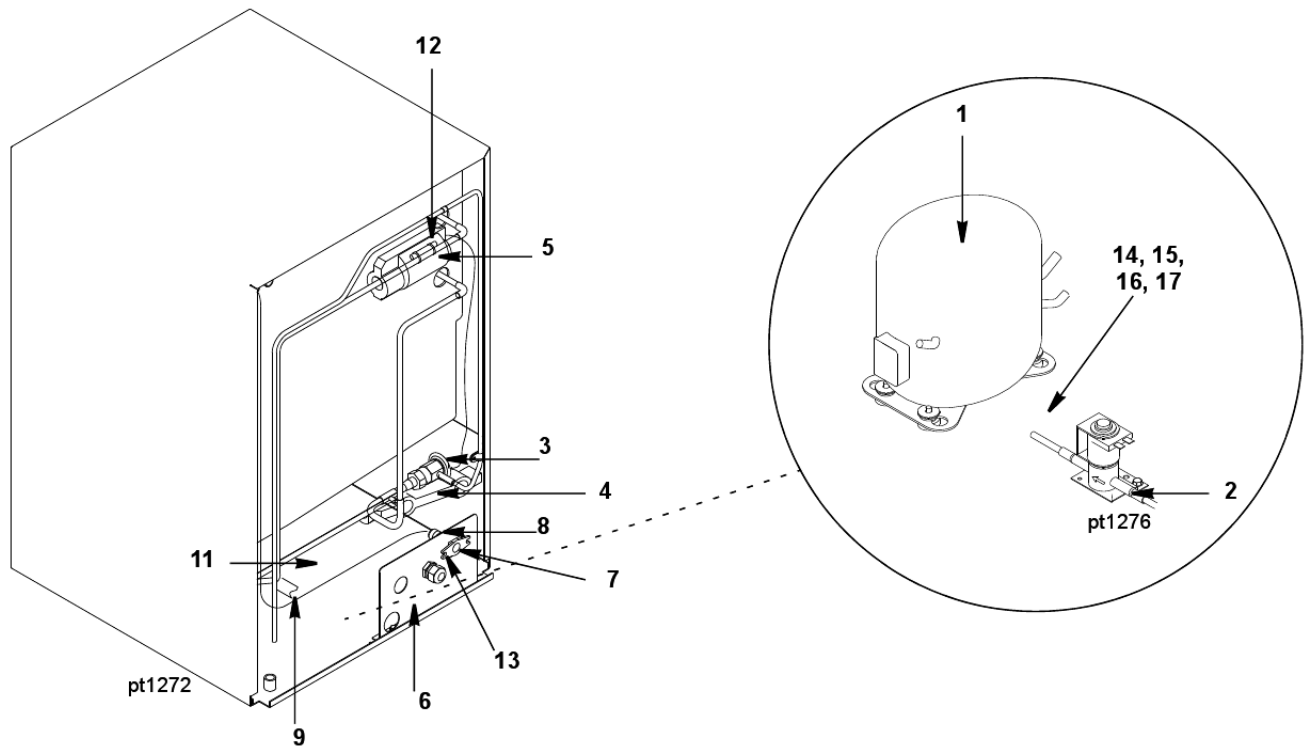
#	PART #	DESCRIPTION	QTY	Note
1		Evaporator Assembly		
1a	7629463	Evaporator - Dice Cube		
2		Water Pump - See Note for Serial Break		
2a	7623063	Water Pump - 115V/60 Hz		
2b	7626013	Water Pump - 230V/50-60 Hz		[1]
2c	040000946	Water Pump - 230V/50-60 Hz		[2]
2d	040001514	Water Pump Mounting Plate		
3		Float Valve Assembly - See Note for Serial Break		
3a	7602133	Float Valve Assembly		[3]
3b	8369049	Float Valve Assembly		[4]
3c	8369069	Float Valve Screen		
3d	8369089	Float Valve Plunger		
3e	5650729	Float Valve Compression Nut		
3f	7621403	Float Valve Bracket		
4	7601603	Ice Thickness Control Probe		
5	2301483	Magnetic Bin Switch		
6	7600493	Ice Damper		
6a	7629093	Ice Damper Magnet and Cap		
7	000007163	Water Distribution Tube - QM30/QM45		
8	040001233	Water Trough		
9	4420291	Vinyl Tube - 0.25" OD		
10	4302223	Siphon Cap		
11	000006754	Water Pump Cover		
12	7600863	Drain Tube		
13	040001234	Water Pump Tubing		
14	5202189	Evaporator Mounting - Screw - #10-24 x 0.75"		
15	5202069	Screw - #10-24 x 0.50" HEX		
16	040001217	Thumbscrew - #8-32 x 0.625"		
17	2500169	Bushing - 0.91" OD x 0.44" ID		
18	2078063	Water Pump Lead - 208-230V/50-60 Hz		

### PART NOTES:

- [1] - Before Serial Number 310145261
- [2] - After Serial Number 310145261
- [3] - Before Serial Number 031100000
- [4] - After Serial Number 031100000

# QM045

## QM45 - REFRIGERATION COMPARTMENT - COMMON COMPONENTS



# QM045

## QM45 - REFRIGERATION COMPARTMENT - COMMON COMPONENTS

#	PART #	DESCRIPTION	QTY	Note
1		Compressor		
1a	7629183	Compressor - 115V/60 Hz/1 Ph		
1b	8505683	Overload / Relay Assembly		
1c	7629193	Compressor - 230V/50 Hz/1 Ph		
1d	8505503	Overload / Relay Assembly		
2		Harvest Valve		
2a	7630001	Solenoid Valve with Electrical Coil - 115V/60 Hz		
2b	000005156	Danfoss Solenoid Valve Coil Only - 115V/60 Hz		[1]
2c	2404363	Alco Solenoid Valve Coil Only - 115V/60 Hz		
2d	7630061	Solenoid Valve with Coil - 208-230V/50-60 Hz		
2e	000005157	Danfoss Solenoid Valve Coil Only - 230V/50-60 Hz		[2]
2f	2404483	Alco Solenoid Valve Coil Only - 230V/50 Hz		
3	7629503	Expansion Valve		
4	4007213	Valve Insulation Boot - Body		
5	4007203	Valve Insulation Boot - Bulb		[3]
6	6035151	Coupling Panel - Water/Electrical Connections		
7	8706093	Female Wing Adapter - 0.375"		
8	1360961	Male Connector		
9	4421443	Bin Drain Tubing - 0.625 ID		
10	5650649	Hose Clamp - 0.759"/0.848" ID		
11	4420291	Vinyl Tube - 0.25" OD		
12	5650529	Clamp - Expansion Valve Bulb		
13	5202069	Screw - #10-24 x 0.50" HEX		
14	5648269	Mounting - Retainer		
15	5573179	Compressor Mounting Washer		
16	3712109	Clevis Pin - 0.25" x 1"		
17	5648289	Hairpin Clip		

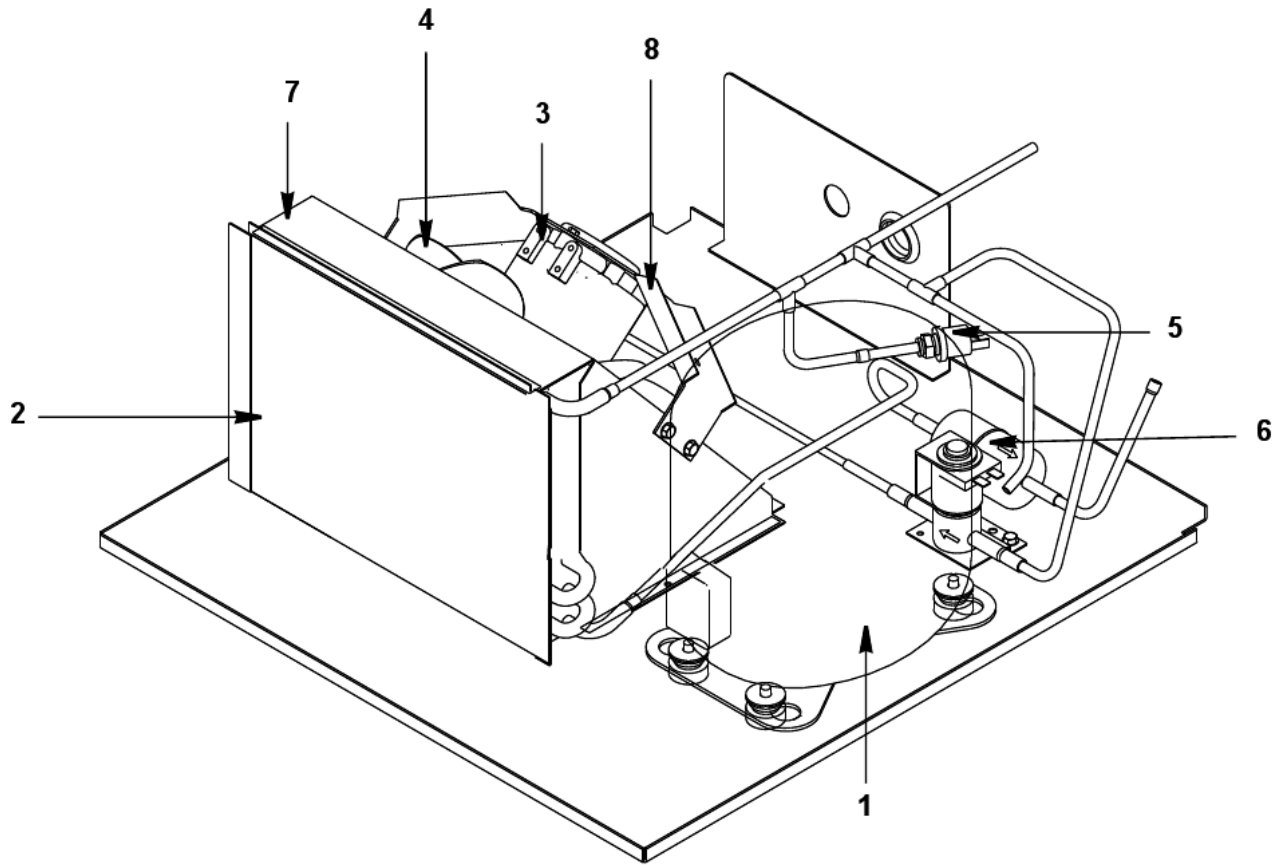
### PART NOTES:

- [1] - \pages from 000005156\_02.jpg" width=280 height=256>
- [2] - \pages from 000005156\_02.jpg" width=266 height=183>
- [3] - \pages from 400720\_08.jpg" width=923 height=583>



# QM045

## QM45 - REFRIGERATION COMPARTMENT - AIR-COOLED COMPONENTS



# QM045

## QM45 - REFRIGERATION COMPARTMENT - AIR-COOLED COMPONENTS

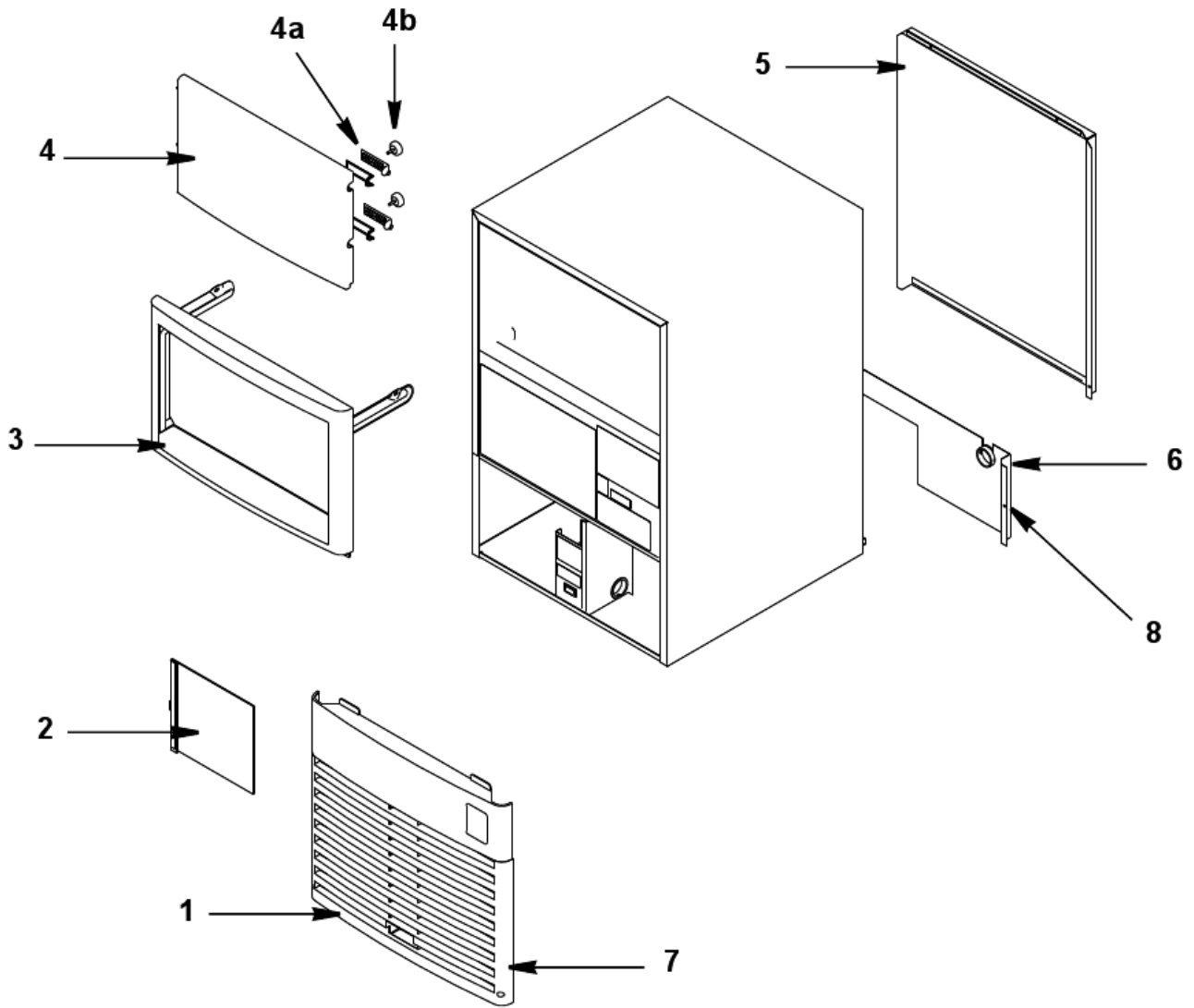
#	PART #	DESCRIPTION	QTY	Note
1		Compressor		[1]
2	8851353	Air Condenser		
3		Fan Motor		
3a	2000223	Fan Motor - 115V/60 Hz/1 Ph		
3b	2000219	Fan Motor - 208-230V/50-60 Hz		
4	2416243	Fan Blade		
5	2355453	Fan Cycling Control		
6	8930259	Drier		
7	6061749	Fan Shroud		
8	6029401	Fan Motor Mounting Bracket		

### PART NOTES:

[1] - Refer to COMMON PARTS Page

# QM045

## QM45 - PANELS



# QM045

## QM45 - PANELS

#	PART #	DESCRIPTION	QTY	Note
1	7629213	Front Panel Assembly		
2	7629223	Air Filter		
3	040000627	Door Frame Assembly		
4	040002220	Bin Door		
4a	7629233	Door Pin Gasket and Door Pin Assembly		
4b	5012353	Door Pin Thumbscrews		
5	6047101	Back Panel, Upper		
6	6029461	Back Panel, Lower		
7	5202239	Front Cover Screw		
8	5121539	Panel/Condenser Mounting Screw - #8 x 0.50"		
9	3302583	Ice Scoop		