



***Manitowoc***  
Foodservice  
**Parts Manual**

For more Parts Information:  
<https://manitowocfsg.sysonline.com/Default.aspx>

# TABLE OF CONTENTS

Manitowoc Foodservice [Updated: Sep. 30, 2013]

Manitowoc - Ice & Related

Parts Catalog

Ice Machine

S Series

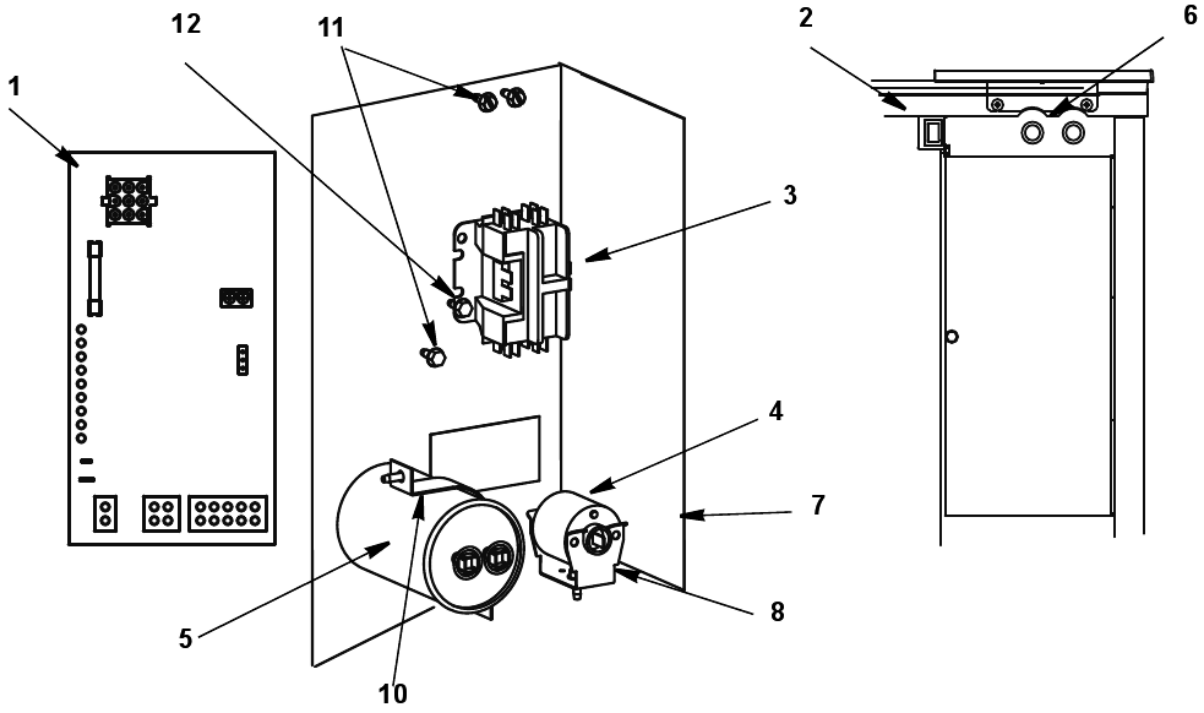
S Model - Prison

S1400P, JC1395

S1400P Control Box .....	1
S1400P Evaporator Compartment .....	3
S1400P Refrigeration Compartment - Common Components .....	5
S1400P Refrigeration Compartment - Air-cooled .....	8
S1400P Refrigeration Compartment - Water-cooled .....	10
S1400P Refrigeration Compartment - Remote .....	12
S1400P Panels .....	14
JC1395 Remote Condenser .....	16

# S1400P, JC1395

## S1400P CONTROL BOX



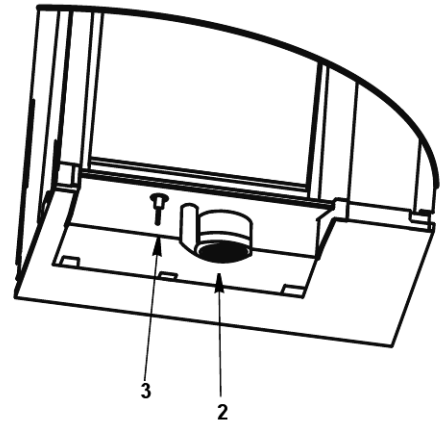
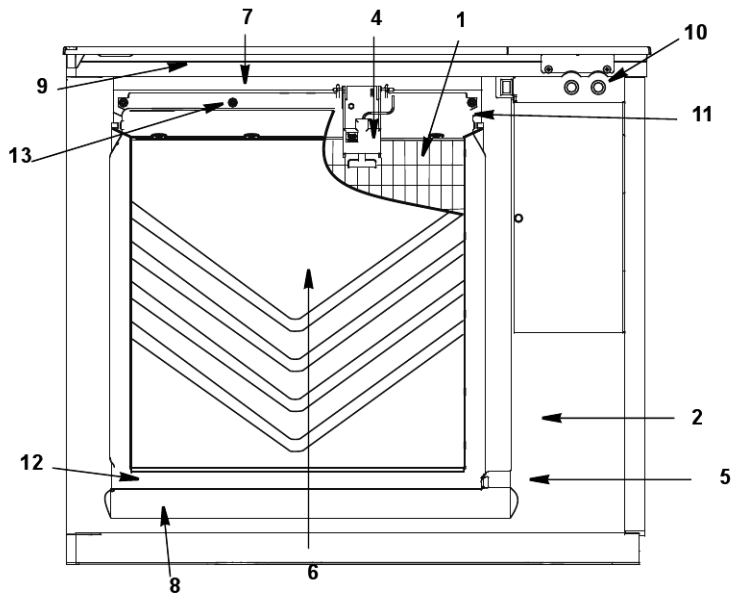
# S1400P, JC1395

## S1400P CONTROL BOX

#	PART #	DESCRIPTION	QTY	Note
1	2006199	Control Board		
1a	000008240	7 Amp Fuse - Mounted on Control Board		
2	2007939	Toggle Switch		
2a	2009069	Toggle Switch Wiring Harness		
2b	4011639	Toggle Switch Box		
3		Contactor		
3a	2009089	Contactor - 208-230V/50-60 Hz/1 Ph		
3b	2006619	Contactor - 230V/60 Hz/3 Ph		
4	8504913	PTCR		
5	2010133	Run Capacitor - 115-230V/50-60 Hz/1 Ph		
6	8373263	Refrigeration Service Valve Assembly		
7	7602143	Control Box		
7a	7603153	Control Box Cover		
7b	6067249	Control Box Bracket		
8	8504953	PTCR Bracket		
9	4302253	Control Board Mounting Supports		
10	6024951	Capacitor Bracket		
11	5202169	Screw - #10-24 x 0.50" Ground		
11a	5573209	Star Washer		
12	5202069	Screw - #10-24 x 0.50" HEX		
13		Control Box Wiring Harness		
13a	2008999	Control Box Wiring Harness - 230V/60 Hz/1 Ph		
13b	2008979	Control Box Wiring Harness - 230V/60 Hz/3 Ph		
13c	2008989	Control Box Wiring Harness - 230V/50 Hz/1 Ph		
13d	2009009	Harvest Air Assist Pump Wiring Harness		

# S1400P, JC1395

## S1400P EVAPORATOR COMPARTMENT



# S1400P, JC1395

## S1400P EVAPORATOR COMPARTMENT

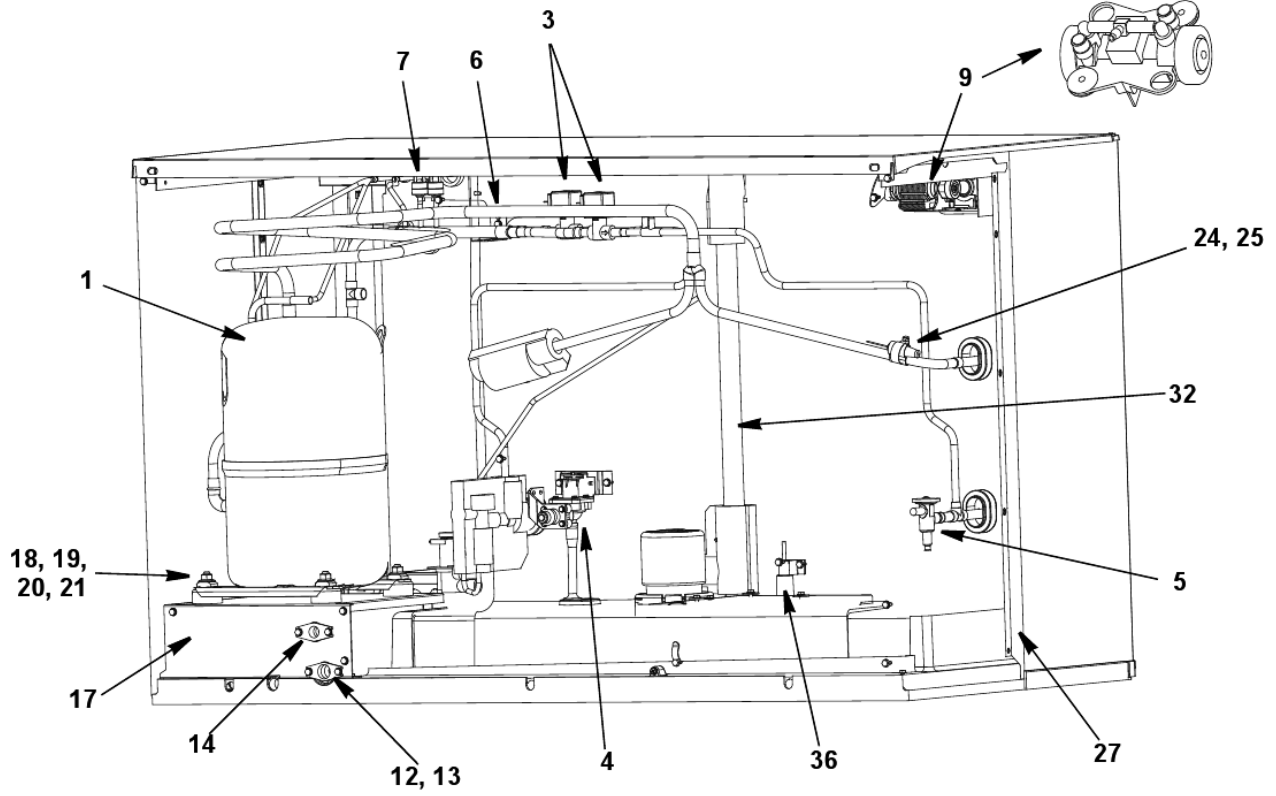
#	PART #	DESCRIPTION	QTY	Note
1		Evaporator Assembly		
1a	7603163	Evaporator - Dice Cube		
1b	7603173	Evaporator - Half Dice Cube		
2		Water Pump - See Note for Usage		
2a	8252109	Water Pump - 230V/50-60 Hz		[1]
2b	2007389	Water Pump - 230V/50 Hz		[2]
3	2006549	Water Level Probe		
3a	2009169	Wire - Control Box to Probe		
4	2008029	Ice Thickness Control Probe		
5	000007888	Magnetic Bin Switch		
6	4014239	Water Curtain		
7	7603193	Water Distribution Tube - 48" Models		
7a	5004649	O-Rings		[3]
8	4009159	Water Trough		
9	000000406	Evaporator Top Filler Panels		[4]
9a	6063339	Bracket - Top Filler Panel		
9b	5202099	Screw - #10-24 x 0.50" PHIL		
10	8373263	Refrigeration Service Valve Assembly		
11	7603203	Evaporator Top Frame Assembly		
12	7603183	Water Diverter - 48" Models		
12a	5305123	Thumbscrew SS - #8-32 x 0.44"		
13	5004799	Thumbscrew SS - #8-32 x 0.375"		[5]
13a	5004629	O-Ring - 0.125" ID		
14	5004619	Screw - #12-16 x 0.687"		
15	5004659	Water Pump Base O-Ring - 4.00" ID		
16	5004679	Water Pump Outlet O-Ring - 0.875" ID		
17	000001382	Vinyl Tubing 0.625" ID		[6]
17a	6038831	Insulation 0.88 ID X 0.25W X 13.50L		

### PART NOTES:

- [1] - 60 Hz
- [2] - 50 Hz
- [3] - Back of Distribution Assembly
- [4] - set of two
- [5] - Water Distribution Tube Mounting
- [6] - dump valve to drain adapter

# S1400P, JC1395

## S1400P REFRIGERATION COMPARTMENT - COMMON COMPONENTS



# S1400P, JC1395

## S1400P REFRIGERATION COMPARTMENT - COMMON COMPONENTS

#	PART #	DESCRIPTION	QTY	Note
1		Compressor - Copeland		[1]
1a	7603213	Compressor - Copeland - 208-230V/60 Hz/1 Ph		
1b	7603223	Compressor - Copeland - 208-230V/60 Hz/3 Ph		
1c	7603233	Compressor - Copeland - 230V/50 Hz/1 Ph		
1		Compressor - Bristol		
1a	000005173	Compressor - Bristol - 208-230V/60 Hz/1 Ph		
1b	000005174	Compressor - Bristol - 208-230V/60 Hz/3 Ph		
1c	000005175	Compressor - Bristol - 230V/50 Hz/1 Ph		
2		Water Dump Valve		
2a	000001768	Water Dump Valve - 208-230V/50-60 Hz		
3		Harvest Valve		
3a	7630101	Solenoid Valve with Coil - 230V/50-60 Hz		
3b	000005157	Danfoss Solenoid Valve Coil Only - 230V/50-60 Hz		[2]
4		Water Inlet Valve		
4a	000007966	Water Inlet Valve - 208-230V/50-60 Hz		
5	7603243	Expansion Valve		
5a	4013299	Valve Insulation Boot - Body		
5b	4007203	Valve Insulation Boot - Bulb		[3]
6	8253579	Manifold Strainer		
7	2001243	High Pressure Cut-out Control		[4]
8		Electrical Box on Rear of Ice Machine		
8a	6067289	Rear Connection Box		
8b	2006143	Terminal Block - 50 Hz - 3 Pole		
8c	5202169	Screw - #10-24 x 0.50" Ground		
9		Air Compressor		
9a	7603539	Air Compressor Pump 230V with bracket		
9b	4004579	Air Manifold		[5]
10		Compressor Compartment Wiring Harness		
10a	000005521	Compressor Compartment Wiring Harness - Water-cooled		
10b	000005519	Compressor Compartment Wiring Harness - Air-cooled		
10c	000005523	Compressor Compartment Wiring Harness - Remote Air-cooled		
11	6058459	Water Dump Valve Mounting Bracket		
12	8706093	Female Wing Adapter - 0.375"		
13	1360961	Male Connector		
14	8706083	Female Wing Adapter - 0.50"		
15	4420383	Clear Tubing - 0.625" ID		
16	4420383	Clear Tubing - 0.625" ID		
17	6065909	Compressor Mounting Base		
18	8504859	Rubber Grommet		
19	8503949	Mounting - Sleeve		
20	5004819	Compressor Mounting - Bolt		
21	5004829	Compressor Mounting - Nut		



# S1400P, JC1395

## S1400P REFRIGERATION COMPARTMENT - COMMON COMPONENTS

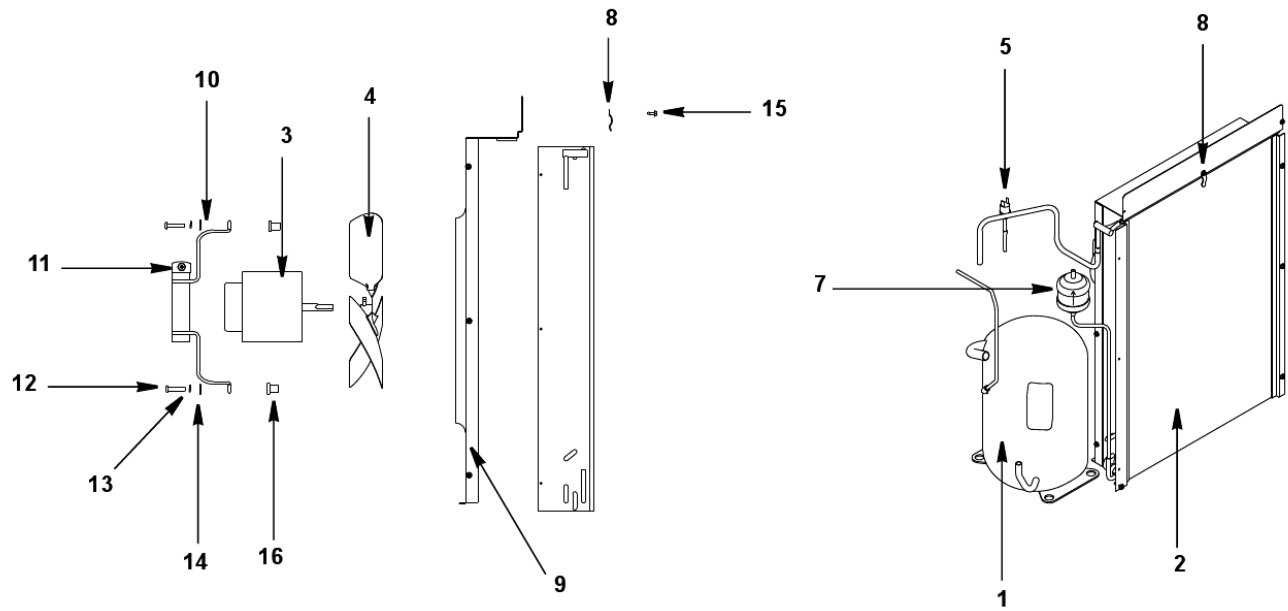
#	PART #	DESCRIPTION	QTY	Note
22	2006239	Compressor Wiring Harness		
23	5650709	Snap Clamp - 0.799"/0.899" ID		
24	5650529	Clamp - Expansion Valve Bulb		
25	3000503	Strap - Expansion Valve Bulb - 0.5"		
26	5000483	Screw, #10-24 x 0.50		
27	6068659	Left Corner Post		
28	6068649	Left Top Channel		
29	000008752	Right Corner Post		
30	6062579	Right Top Channel		
31	000003407	Insulated Tube		[6]
31a	5650603	Snap Clamp - 1.0" ID		
32	4010439	Tubing - Water Inlet Valve		[7]
32a	5650703	Snap Clamp - 0.799"/0.899" ID		
33	1360989	Connector - Water Inlet Valve		
34	6066449	Water Inlet Valve Bracket		
35	000002474	Check Valve Replacement		[8]
36	2006559	Water Level Probe Holder		
36a	5000483	Screw, #10-24 x 0.50		

### PART NOTES:

- [1] - Copeland compressors must be replaced with Copeland compressors and Bristol compressors must be replaced with Bristol compressors.
- [2] - \pages from 000005156\_02.jpg" width=266 height=183>
- [3] - \pages from 400720\_08.jpg" width=923 height=583>
- [4] - Auto Reset
- [5] - Air Pump Tubing Outlet
- [6] - vinyl tubing from distribution tube to water pump & dump valve
- [7] - \pages from 401043\_05.jpg" width=1797 height=2238>
- [8] - includes water diverter, vinyl tubing & insulation

# S1400P, JC1395

## S1400P REFRIGERATION COMPARTMENT - AIR-COOLED



# S1400P, JC1395

## S1400P REFRIGERATION COMPARTMENT - AIR-COOLED

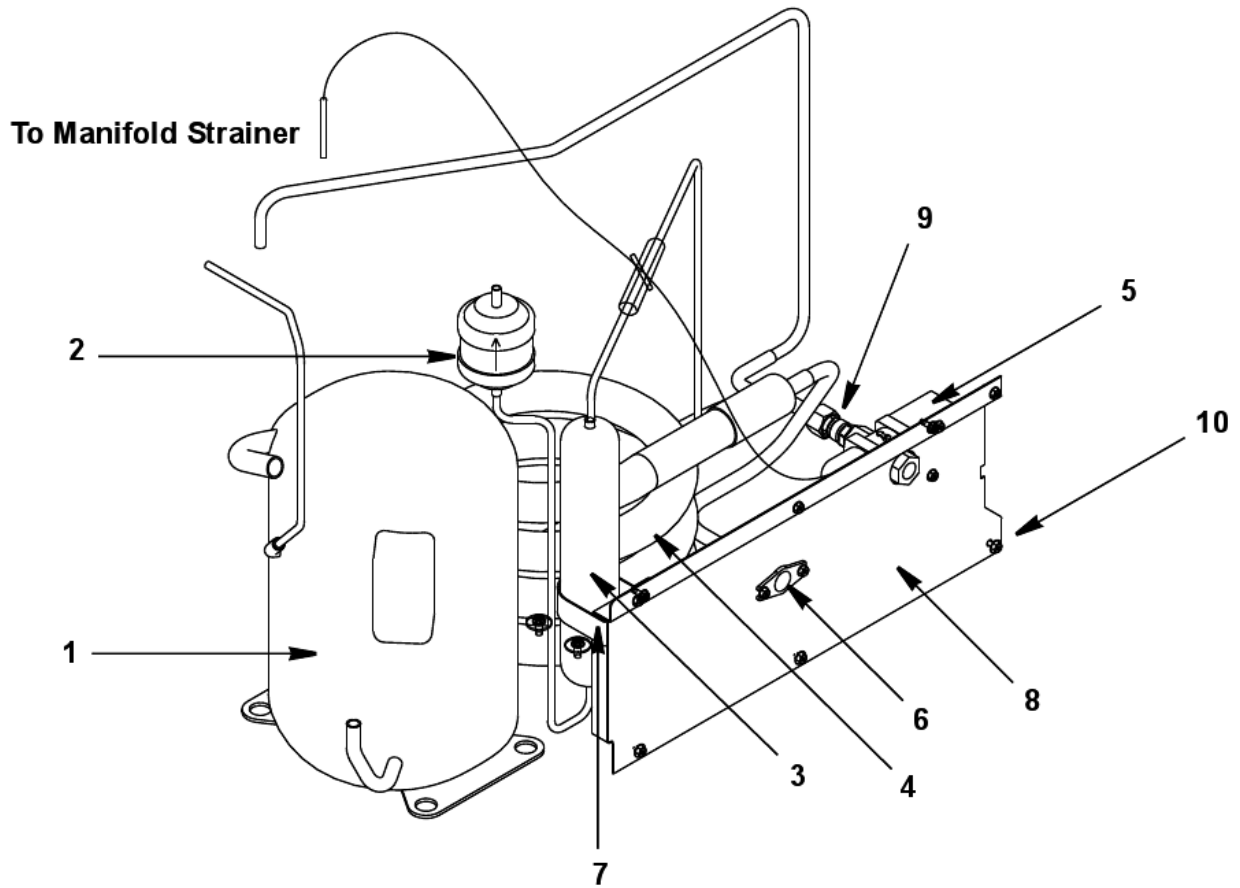
#	PART #	DESCRIPTION	QTY	Note
1		Compressor (Refer to COMMON PARTS Page)		
2	8851283	Air Condenser		
3		Fan Motor		
3a	7626733	Fan Motor - 208-230V/50-60 Hz		
3b	000006007	Fan Motor - 230V/50 Hz		
4	2416113	Fan Blade		
5	2001273	Fan Cycling Control - 225-275 psig		[1]
6	4040243	Air Filter		
7	8930279	Drier		
8	5650699	Air Filter Clip		
9	6068499	Fan Shroud		
10	3006823	Fan Motor Mounting Bracket		
11	5033589	Mounting - Screw		
11a	5545109	Lockwasher		
11b	5429529	Mounting - Hexnut		
12	5032389	Fan Bracket Mounting Screw		
13	5545109	Lockwasher		
14	5573059	Mounting - Flatwasher		
15	5000483	Screw, #10-24 x 0.50		
16	5429559	Mounting - Rubber Wellnut		

### PART NOTES:

[1] - \pages from 200126\_09.jpg" width=170 height=228>

# S1400P, JC1395

## S1400P REFRIGERATION COMPARTMENT - WATER-COOLED



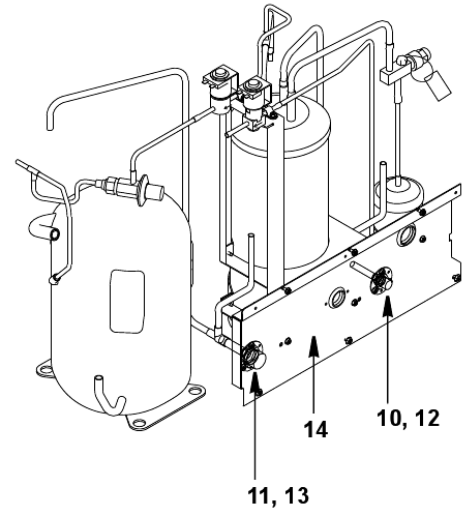
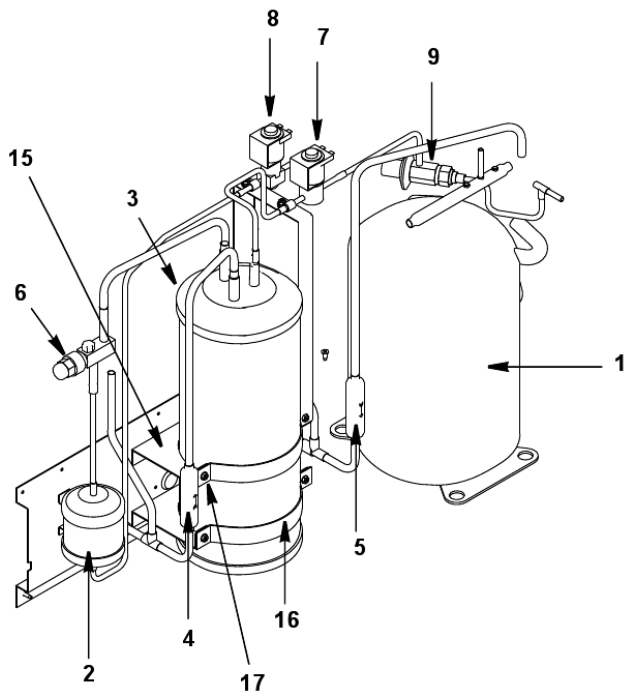
# S1400P, JC1395

## S1400P REFRIGERATION COMPARTMENT - WATER-COOLED

#	PART #	DESCRIPTION	QTY	Note
1		Compressor (Refer to COMMON PARTS Page)		
2	8930279	Drier		
3	000008894	Receiver		
4	000001508	Water-Cooled Condenser		
5	8372123	Water Regulating Valve		
6	8706083	Female Wing Adapter - 0.50"		
7	6000541	Receiver Strap		
8	6066829	Back Panel - Coupling Panel		
9	5005453	Elbow 0.50 MF x 0.50 NPT		
10	5000483	Screw, #10-24 x 0.50		
11	5573419	Washer		
12	6066841	Base, Water Condenser/Receiver		

# S1400P, JC1395

## S1400P REFRIGERATION COMPARTMENT - REMOTE



# S1400P, JC1395

## S1400P REFRIGERATION COMPARTMENT - REMOTE

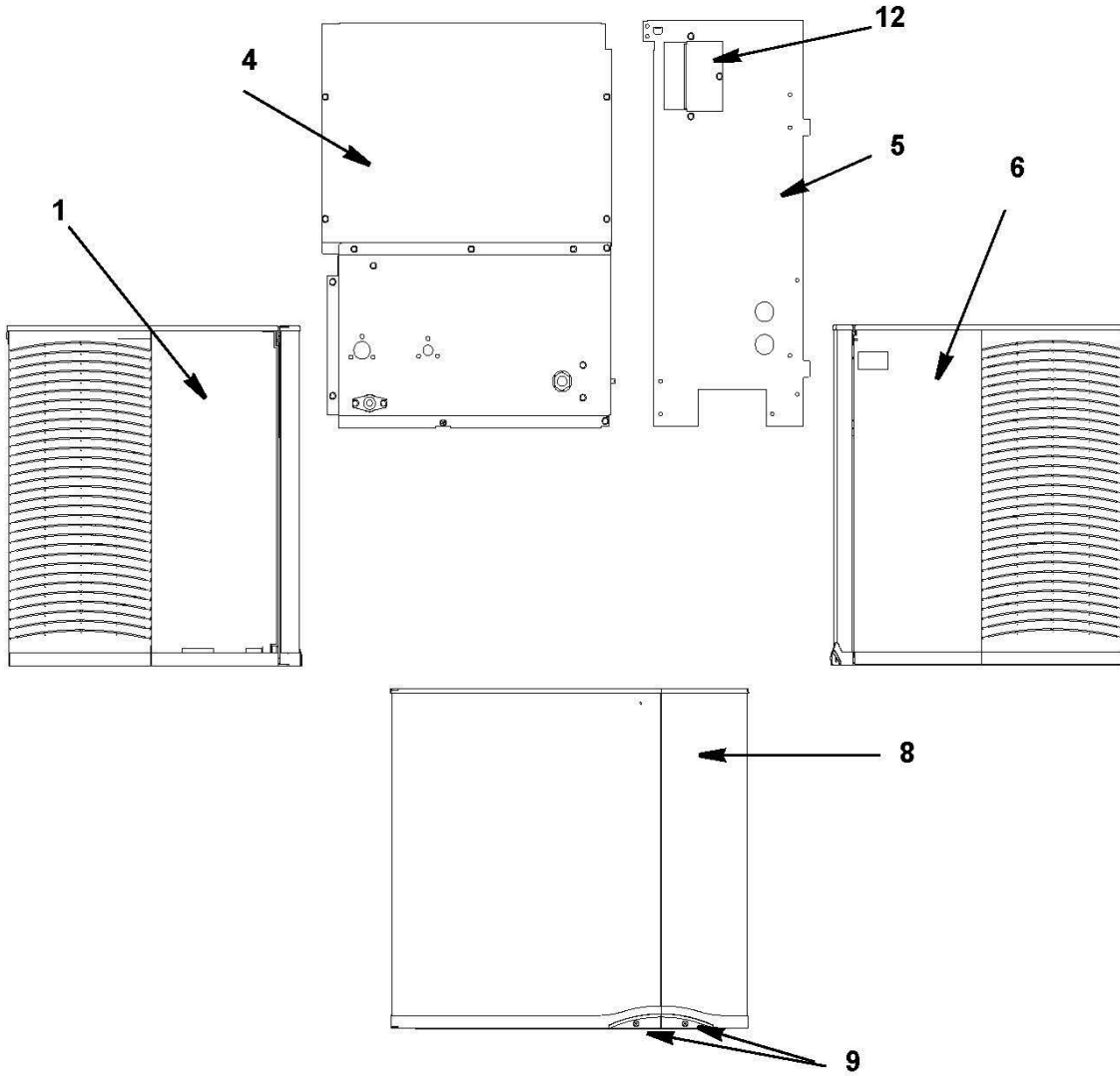
#	PART #	DESCRIPTION	QTY	Note
1		Compressor (Refer to COMMON PARTS)		
2	8930279	Drier		
3	7629573	Receiver		
4	8373149	Magni-Check Valve - 0.375"		
5	8373153	Magni-Check Valve - 0.5"		
6	8373169	Receiver Service Valve		
6a	5650759	Cap for Refrigeration Service Valve		
7		Harvest Pressure Regulating Solenoid Valve		
7a	7630061	Danfoss Solenoid Valve with Coil - 208-230V/50-60 Hz		
7b	000005157	Danfoss Solenoid Valve Coil Only - 230V/50-60 Hz		[1]
8		Liquid Line Solenoid Valve		
8a	7630091	Solenoid Valve Including 208-230V/50-60 Hz Electrical Coil		
8b	000005157	Danfoss Solenoid Valve Coil Only - 230V/50-60 Hz		[1]
9	8367793	Harvest Pressure Regulating Valve		
10	8360343	Coupling - Male - 5/8-18		
11	8360353	Coupling - Male - 1-1/6-12		
12	8360053	Coupling Mounting Flange for 5/8-18		
13	8360063	Coupling Mounting Flange for 1-1/16-12		
14	6066829	Back Panel - Coupling Panel		
15	6000561	Receiver Mounting Bracket		
16	6307214	Receiver Mounting Strap		
17	5000483	Screw, #10-24 x 0.50		

**PART NOTES:**

[1] - \pages from 000005156\_02.jpg" width=266 height=183>

# S1400P, JC1395

## S1400P PANELS





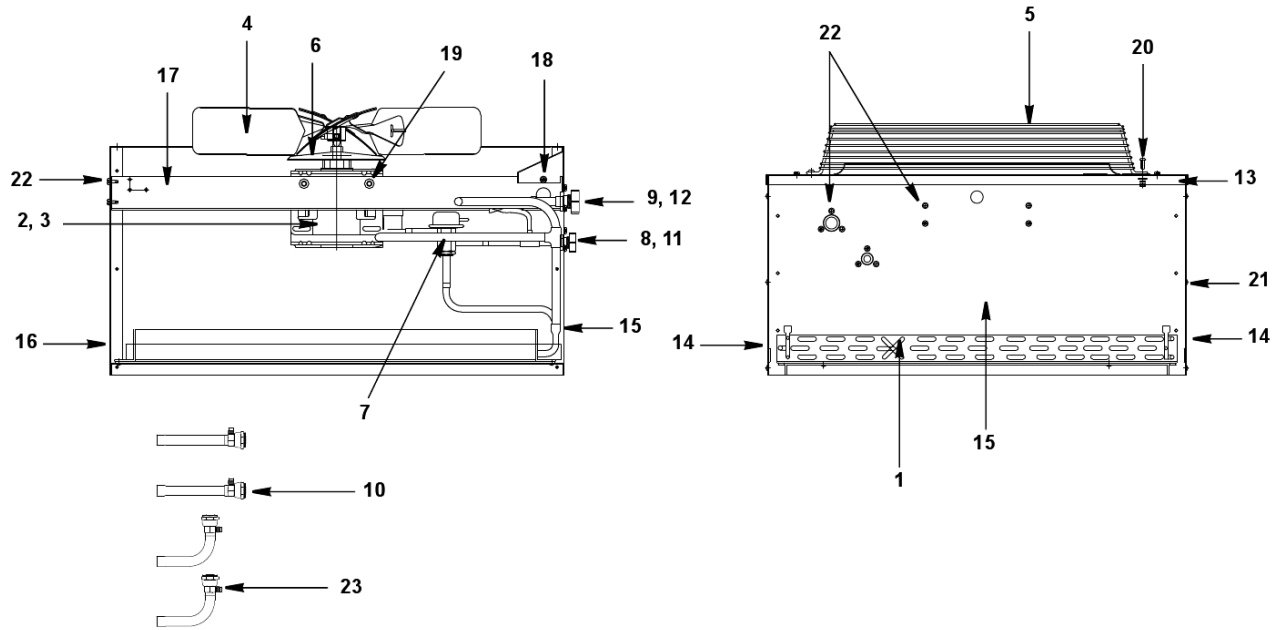
# S1400P, JC1395

## S1400P PANELS

#	PART #	DESCRIPTION	QTY	Note
1		Left Side Panel		
1a	6068941	Left Side Panel - Louvered		
1b	6068661	Left Side Panel - Non-Louvered		
2	6059719	Air Baffle		
3	4040243	Air Filter		
4	6069709	Back Panel - Water-cooled / Remote Air-cooled		
5	6069739	Back Panel - Air-cooled / Water-cooled / Remote Air-cooled		
6		Right Side Panel		
6a	6068931	Right Side Panel - Louvered		
6b	6068731	Right Side Panel - Non-Louvered		
7	6071481	Top Cover		
8	6071811	Front Panel		
9	5005353	Front Panel Screw		
10	6071471	Front Top Support		
11	6071461	Bottom Door Frame		
12	6067299	Rear Connection Box Cover		
13	5005343	Screws - #12-16 x 0.50" TORX		
14	5800053	Screwdriver Bit Front Panel - #4-40 TX-15-H		
15	5800043	Screwdriver Bit Side Panels - #4-40 TX-25-H		
16	000000548	Cartoning		

# S1400P, JC1395

## JC1395 REMOTE CONDENSER



# S1400P, JC1395

## JC1395 REMOTE CONDENSER

#	PART #	DESCRIPTION	QTY	Note
1	8850903	Air Condenser		
2	7629413	Fan Motor - 208-230V/50-60 Hz/1 Ph		
3	8504583	Fan Motor Run Capacitor		[1]
4	2416113	Fan Blade		
5	3400643	Fan Guard		
6	2415053	Rain Slinger		
7	000004070	Head Pressure Control Valve		
8	8360343	Coupling - Male - 5/8-18		
9	8360353	Coupling - Male - 1-1/6-12		
10	K0129	Female Line Set Coupling Kit		
11	8360053	Coupling Mounting Flange for 5/8-18		
12	8360063	Coupling Mounting Flange for 1-1/16-12		
13	6017891	Top Cover		
14	6017901	Panel - Side Before Serial Number 110529484		
15	6017911	Panel - Rear Before Serial Number 110529484		
16	6017921	Panel - Front Before Serial Number 110529484		
17	6017681	Fan Motor Mounting Bracket		
18	6017761	Electrical Box Cover		
19	5035659	Fan Motor Mounting Screw		
19a	5573099	Mounting - Flatwasher		
19b	5573139	Mounting - Lockwasher		
19c	5429759	Mounting - Hexnut		
20	5033459	Screw - 1/4-20 x 0.625"		
20a	5573049	Flatwasher		
20b	5545119	Mounting - Lockwasher		
20c	5429529	Mounting - Hexnut		
21	5121539	Panel/Condenser Mounting Screw - #8 x 0.50"		
21a	5544599	Panel/Condenser Mounting Lockwasher		
22	5202059	Screw		
23	7626843	Valve Cores		
24	6017691	Legs		
25	000000546	Cartoning		

### PART NOTES:

[1] - Emerson