



Manitowoc
Foodservice
Parts Manual

For more Parts Information:
<https://manitowocfsg.sysonline.com/Default.aspx>

TABLE OF CONTENTS

Manitowoc Foodservice [Updated: Sep. 30, 2013]

Manitowoc - Ice & Related

Parts Catalog

Ice Machine

S Series

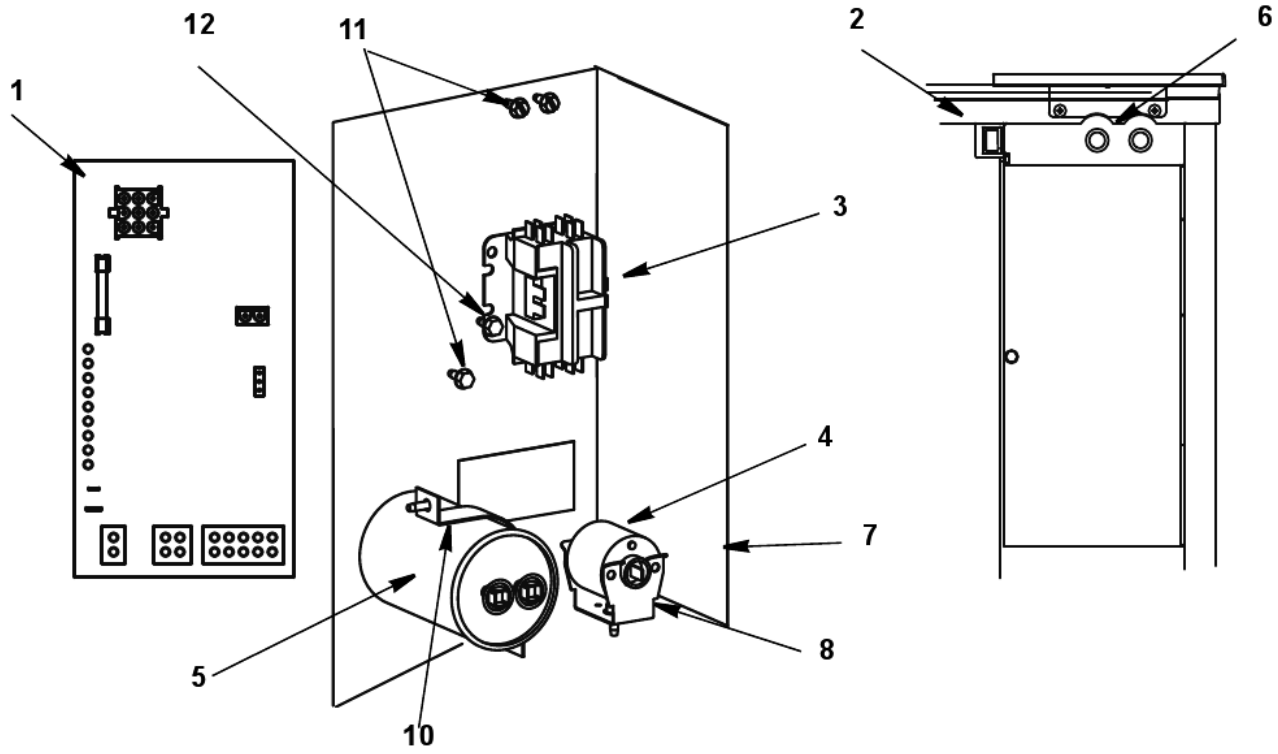
S Model - Prison

S1800P, JC1395

S1800P Control Box	1
S1800P Evaporator Compartment	3
S1800P Refrigeration Compartment - Common Components	5
S1800P Refrigeration Compartment - Air-cooled	8
S1800P Refrigeration Compartment - Water-cooled	10
S1800P Refrigeration Compartment - Remote	12
S1800P Panels	14
JC1395 Remote Condenser	16

S1800P, JC1395

S1800P CONTROL BOX



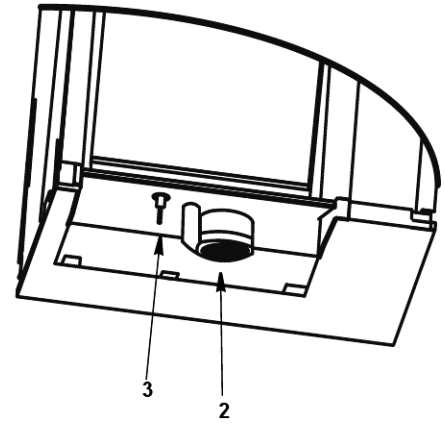
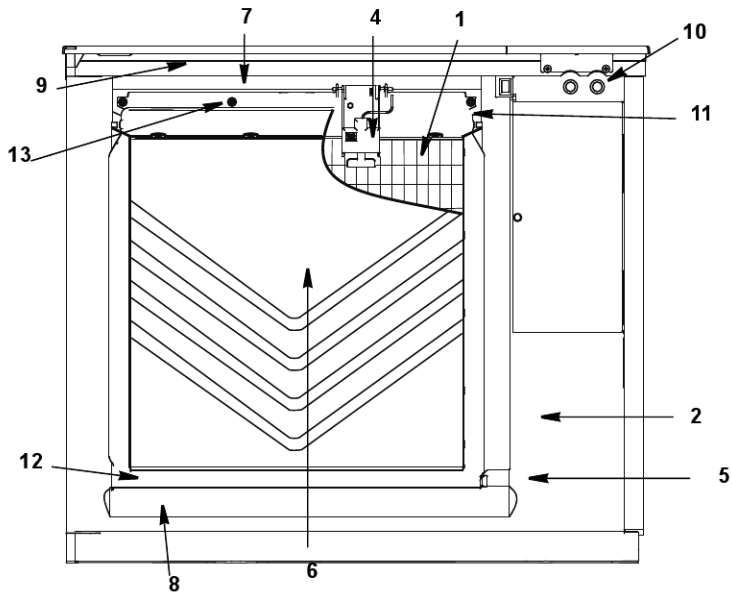
S1800P, JC1395

S1800P CONTROL BOX

#	PART #	DESCRIPTION	QTY	Note
1	2006199	Control Board		
1a	000008240	7 Amp Fuse - Mounted on Control Board		
2	2007939	Toggle Switch		
2a	2009069	Toggle Switch Wiring Harness		
2b	4011639	Toggle Switch Box		
3		Contactor		
3a	2009089	Contactor - 208-230V/50-60 Hz/1 Ph		
3b	2006619	Contactor - 230V/60 Hz/3 Ph		
4	8504913	PTCR		
5	000000028	Run Capacitor - 208-230V/50-60 Hz/1 Ph		
6	8373263	Refrigeration Service Valve Assembly		
7	7602143	Control Box		
7a	7603153	Control Box Cover		
7b	6067249	Control Box Bracket		
8	8504953	PTCR Bracket		
9	4302253	Control Board Mounting Supports		
10	6024951	Capacitor Bracket		
11	5202169	Screw - #10-24 x 0.50" Ground		
11a	5573209	Star Washer		
12	5000483	Screw, #10-24 x 0.50		
13		Control Box Wiring Harness		
13a	2008999	Control Box Wiring Harness - 230V/60 Hz/1 Ph		
13b	2008979	Control Box Wiring Harness - 230V/60 Hz/3 Ph		
13c	2008989	Control Box Wiring Harness - 230V/50 Hz/1 Ph		
13d	2009009	Harvest Air Assist Pump Wiring Harness		

S1800P, JC1395

S1800P EVAPORATOR COMPARTMENT



S1800P, JC1395

S1800P EVAPORATOR COMPARTMENT

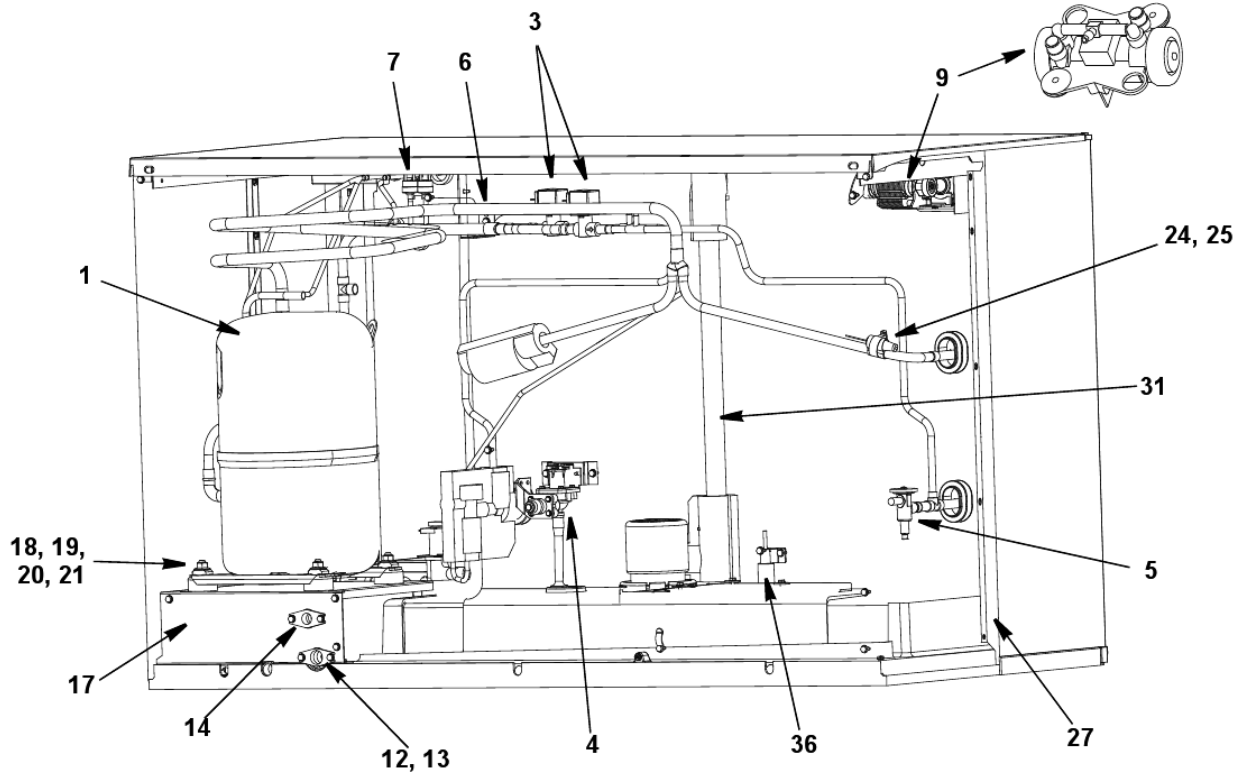
#	PART #	DESCRIPTION	QTY	Note
1		Evaporator Assembly		
1a	7603253	Evaporator Regular Cube		
1b	7603263	Evaporator Dice Cube		
1c	7603273	Evaporator - Half Dice Cube		
2		Water Pump		
2a	8252709	Water Pump - 230V/50-60 Hz		
2b	000000259	Water Pump - 230V/50 Hz		
3	2006549	Water Level Probe		
3a	2009169	Wire - Control Box to Probe		
4	2008029	Ice Thickness Control Probe		
5	000007888	Magnetic Bin Switch		
6	4012729	Water Curtain		
7	7603193	Water Distribution Tube - 48" Models		
7a	5004649	O-Rings		[1]
8	4009159	Water Trough		
9	000000292	Evaporator Top Filler Panel		
9a	6063339	Bracket - Top Filler Panel		
9b	5202099	Screw - #10-24 x 0.50" PHIL		
10	8373263	Refrigeration Service Valve Assembly		
11	7603203	Evaporator Top Frame Assembly		
12	7603183	Water Diverter - 48" Models		
12a	5305123	Thumbscrew SS - #8-32 x 0.44"		
13	5004799	Thumbscrew SS - #8-32 x 0.375"		[2]
13a	5004629	O-Ring - 0.125" ID		
14	5004619	Screw - #12-16 x 0.687"		
15	5004659	Water Pump Base O-Ring - 4.00" ID		
16	5004679	Water Pump Outlet O-Ring - 0.875" ID		
17	000001382	Vinyl Tubing 0.625" ID		[3]
17a	6038831	Insulation 0.88 ID X 0.25W X 13.50L		

PART NOTES:

- [1] - Back of Distribution Assembly
- [2] - Water Distribution Tube Mounting Each
- [3] - dump valve to drain adapter

S1800P, JC1395

S1800P REFRIGERATION COMPARTMENT - COMMON COMPONENTS



S1800P, JC1395

S1800P REFRIGERATION COMPARTMENT - COMMON COMPONENTS

#	PART #	DESCRIPTION	QTY	Note
1		Compressor		
1a	7603283	Compressor - Copeland - 208-230V/60 Hz/1 Ph		
1b	7603293	Compressor - Copeland - 208-230V/60 Hz/3 Ph		
1c	7603303	Compressor - Copeland - 230V/50 Hz/1 Ph		
2		Water Dump Valve		
2a	000001768	Water Dump Valve - 208-230V/50-60 Hz		
3		Harvest Valve		
3a	7630101	Solenoid Valve with Coil - 230V/50-60 Hz		
3b	000005157	Danfoss Solenoid Valve Coil Only - 230V/50-60 Hz		[1]
4		Water Inlet Valve		
4a	000007966	Water Inlet Valve - 208-230V/50-60 Hz		
5	7602253	Expansion Valve		
5a	4013299	Valve Insulation Boot - Body		
5b	4007203	Valve Insulation Boot - Bulb		[2]
6	8253579	Manifold Strainer		
7	2001243	High Pressure Cut-out Control		
8		Electrical Box on Rear of Ice Machine		
8a	6067289	Rear Connection Box		
8b	2006143	Terminal Block - 50 Hz - 3 Pole		
8c	5202169	Screw - #10-24 x 0.50" Ground		
9		Air Compressor		
9a	000000444	Air Compressor Pump 230V		
9b	4011739	Air Manifold		[3]
10		Compressor Compartment Wiring Harness		
10a	2009019	Wiring Harness - Water		
10b	2009029	Wiring Harness - Air-cooled		
10c	2009039	Wiring Harness - Remote		
11	6058459	Water Dump Valve Mounting Bracket		
12	8706093	Female Wing Adapter - 0.375"		
13	1360961	Male Connector		
14	8706083	Female Wing Adapter - 0.50"		
15	4420383	Clear Tubing - 0.625" ID		
16	4420383	Clear Tubing - 0.625" ID		
17	6065909	Compressor Mounting Base		
18	8504859	Rubber Grommet		
19	8503949	Mounting - Sleeve		
20	5004819	Compressor Mounting - Bolt		
21	5004829	Compressor Mounting - Nut		
22	2006239	Compressor Wiring Harness		
23	5650709	Snap Clamp - 0.799"/0.899" ID		
24	5650529	Clamp - Expansion Valve Bulb		
25	3000503	Strap - Expansion Valve Bulb - 0.5"		

S1800P, JC1395

S1800P REFRIGERATION COMPARTMENT - COMMON COMPONENTS

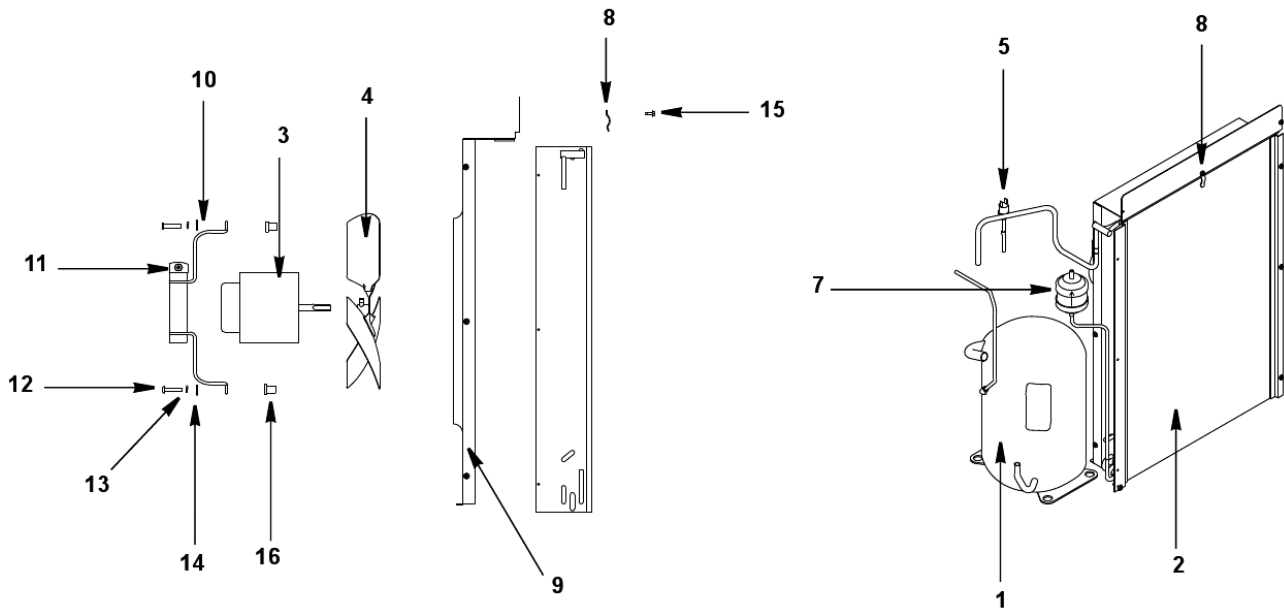
#	PART #	DESCRIPTION	QTY	Note
26	5000483	Screw, #10-24 x 0.50		
27	6065999	Left Corner Post		
28	6068649	Left Top Channel		
29	6067139	Right Corner Post		
30	6062579	Right Top Channel		
31	000003409	Insulated Tube		[4]
31a	5650603	Snap Clamp - 1.0" ID		
31b	5650703	Snap Clamp - 0.799"/0.899" ID		
32	4010439	Tubing - Water Inlet Valve		[5]
33	1360989	Connector - Water Inlet Valve		
34	6066449	Water Inlet Valve Bracket		
35	000002474	Check Valve Replacement		[6]
36	2006559	Water Level Probe Holder		
36a	5000483	Screw, #10-24 x 0.50		

PART NOTES:

- [1] - \pages from 000005156_02.jpg" width=266 height=183>
- [2] - \pages from 400720_08.jpg" width=923 height=583>
- [3] - Air Pump Tubing Outlet
- [4] - vinyl tubing from distribution tube to water pump & dump valve
- [5] - \pages from 401043_05.jpg" width=1797 height=2238>
- [6] - includes water diverter, vinyl tubing & insulation

S1800P, JC1395

S1800P REFRIGERATION COMPARTMENT - AIR-COOLED



S1800P, JC1395

S1800P REFRIGERATION COMPARTMENT - AIR-COOLED

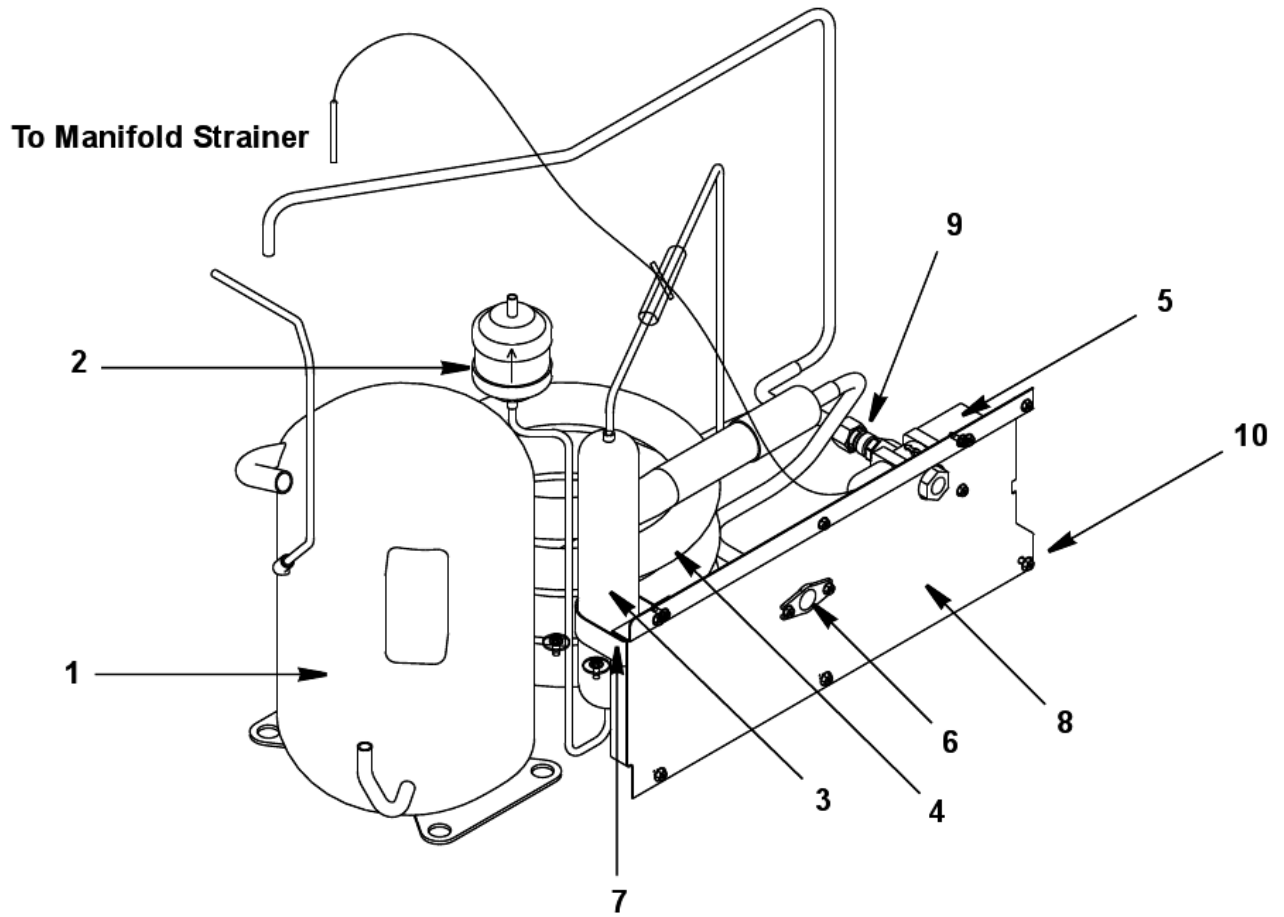
#	PART #	DESCRIPTION	QTY	Note
1		Compressor		[1]
2	8851293	Air Condenser		
3		Fan Motor		
3a	7626733	Fan Motor - 208-230V/50-60 Hz		
3b	000006007	Fan Motor - 230V/50 Hz		
4	2416113	Fan Blade		
5	2001273	Fan Cycling Control - 225-275 psig		[2]
6	4040253	Air Filter		
7	8930279	Drier		
8	5650699	Air Filter Clip		
9	6065979	Fan Shroud		
10	3006823	Fan Motor Mounting Bracket		
11	5033589	Mounting - Screw		
11a	5545109	Lockwasher		
11b	5429529	Mounting - Hexnut		
12	5032389	Fan Bracket Mounting Screw		
13	5545109	Lockwasher		
14	5573059	Mounting - Flatwasher		
15	5000483	Screw, #10-24 x 0.50		
16	5429559	Mounting - Rubber Wellnut		

PART NOTES:

- [1] - Refer to COMMON PARTS Page
- [2] - \pages from 200126_09.jpg" width=170 height=228>

S1800P, JC1395

S1800P REFRIGERATION COMPARTMENT - WATER-COOLED



S1800P, JC1395

S1800P REFRIGERATION COMPARTMENT - WATER-COOLED

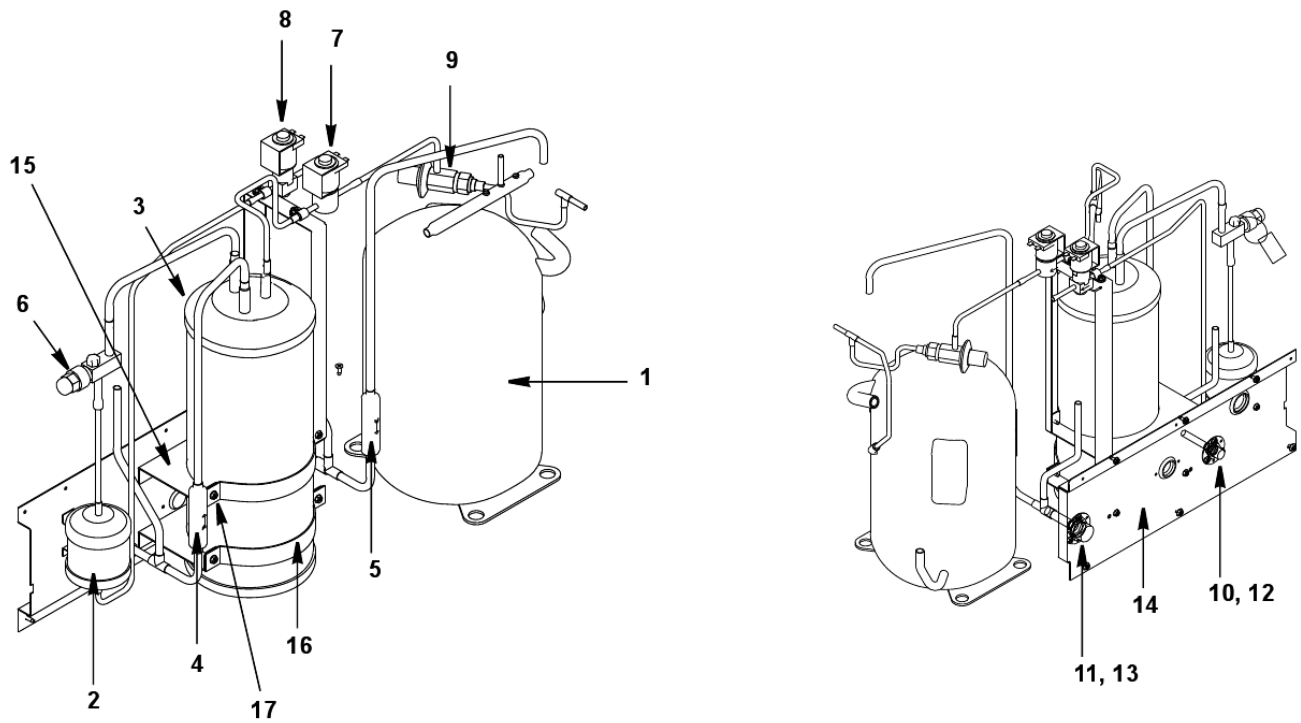
#	PART #	DESCRIPTION	QTY	Note
1		Compressor		[1]
2	8930279	Drier		
3	000008894	Receiver		
4	000001508	Water-Cooled Condenser		
5	8372123	Water Regulating Valve		
6	8706083	Female Wing Adapter - 0.50"		
7	6000541	Receiver Strap		
8	6066829	Back Panel - Coupling Panel		
9	5005453	Elbow 0.50 MF x 0.50 NPT		
10	5000483	Screw, #10-24 x 0.50		
11	5573419	Washer		
12	6066841	Base, Water Condenser/Receiver		

PART NOTES:

[1] - Refer to COMMON PARTS Page

S1800P, JC1395

S1800P REFRIGERATION COMPARTMENT - REMOTE



S1800P, JC1395

S1800P REFRIGERATION COMPARTMENT - REMOTE

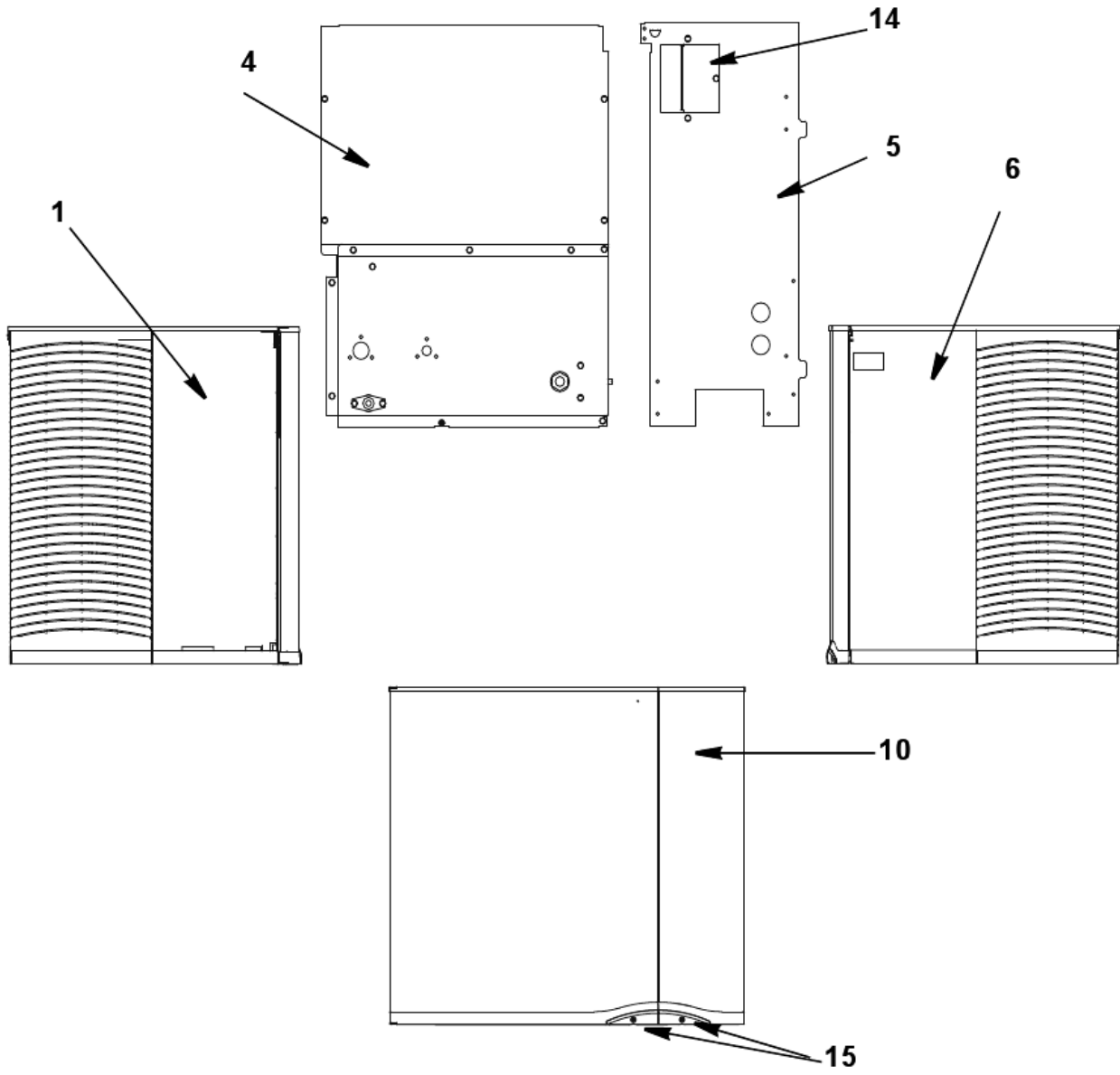
#	PART #	DESCRIPTION	QTY	Note
1		Compressor		[1]
2	8930279	Drier		
3	8900019	Receiver		
4	8373149	Magni-Check Valve - 0.375"		
5	8373153	Magni-Check Valve - 0.5"		
6	8373169	Receiver Service Valve		
6a	5650759	Cap for Refrigeration Service Valve		
7		Harvest Pressure Regulating Solenoid (HPR) Valve		
7a	7630061	Danfoss Solenoid Valve with Coil - 208-230V/50-60 Hz		
7b	000005157	Danfoss Solenoid Valve Coil Only - 230V/50-60 Hz		[2]
8		Liquid Line Solenoid (LLS) Valve		
8a	7630091	Danfoss Solenoid Valve Including 208-230V/50-60 Hz Electrical Coil		
8b	000005157	Danfoss Solenoid Valve Coil Only - 230V/50-60 Hz		[2]
9	8367793	Harvest Pressure Regulating Valve		
10	8360343	Coupling - Male - 5/8-18		
11	8360353	Coupling - Male - 1-1/6-12		
12	8360053	Coupling Mounting Flange for 5/8-18		
13	8360063	Coupling Mounting Flange for 1-1/16-12		
14	6066829	Back Panel - Coupling Panel		
15	6000561	Receiver Mounting Bracket		
16	6307214	Receiver Mounting Strap		
17	5000483	Screw, #10-24 x 0.50		

PART NOTES:

- [1] - Refer to COMMON PARTS
- [2] - \pages from 000005156_02.jpg" width=266 height=183>

S1800P, JC1395

S1800P PANELS

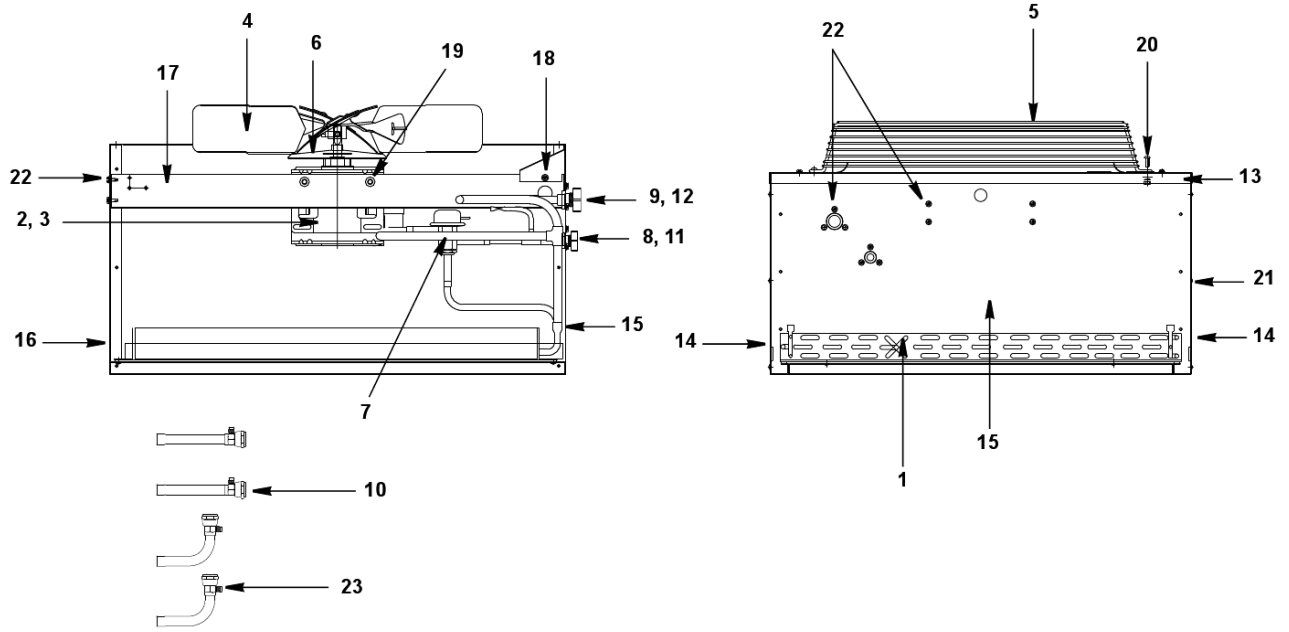


S1800P, JC1395

S1800P PANELS

#	PART #	DESCRIPTION	QTY	Note
1		Left Side Panel		
1a	6071781	Left Side Panel - Air-cooled		
1b	6071541	Left Side Panel - Water, Remote		
2	6071379	Air Baffle		
3	4040253	Air Filter		
4	6067149	Back Panel, Remote or Water		
5	6067159	Back Panel, Air, Water or Remote		
6		Right Side Panel		
7	6071791	Right Side Panel - Air-cooled		
8	6071531	Right Side Panel - Water, Remote		
9	6071481	Top Cover		
10	6071491	Front Panel		
11	5005353	Front Panel Screw		
12	6071471	Front Top Support		
13	6071461	Bottom Door Frame		
14	6067299	Rear Connection Box Cover		
15	5005343	Screws - #12-16 x 0.50" TORX		
16	5800053	Screwdriver Bit Front Panel - #4-40 TX-15-H		
17	5800043	Screwdriver Bit Side Panels - #4-40 TX-25-H		
18	7112479	Cartoning		

JC1395 REMOTE CONDENSER



S1800P, JC1395

JC1395 REMOTE CONDENSER

#	PART #	DESCRIPTION	QTY	Note
1	8850903	Air Condenser		
2	7629413	Fan Motor - 208-230V/50-60 Hz/1 Ph		
3	8504583	Fan Motor Run Capacitor		[1]
4	2416113	Fan Blade		
5	3400643	Fan Guard		
6	2415053	Rain Slinger		
7	000004070	Head Pressure Control Valve		
8	8360343	Coupling - Male - 5/8-18		
9	8360353	Coupling - Male - 1-1/6-12		
10	Sales K0129	Female Line Set Coupling Kit		
11	8360053	Coupling Mounting Flange for 5/8-18		
12	8360063	Coupling Mounting Flange for 1-1/16-12		
13	6017891	Top Cover		
14		Panel - Side		
14a	6017901	Panel - Side Before Serial Number 110529484		
14b	000000613	Panel - Side After Serial Number 110529484		
15		Panel - Rear		
15a	6017911	Panel - Rear Before Serial Number 110529484		
15b	000000612	Panel - Rear After Serial Number 110529484		
16		Panel - Front		
16a	6017921	Panel - Front Before Serial Number 110529484		
16b	000000611	Panel - Front After Serial Number 110529484		
17	6017681	Fan Motor Mounting Bracket		
18	6017761	Electrical Box Cover		
19	5035659	Fan Motor Mounting Screw		
19a	5573099	Mounting - Flatwasher		
19b	5573139	Mounting - Lockwasher		
19c	5429759	Mounting - Hexnut		
20	5033459	Screw - 1/4-20 x 0.625"		
20a	5573049	Flatwasher		
20b	5545119	Mounting - Lockwasher		
20c	5429529	Mounting - Hexnut		
21	5121539	Panel/Condenser Mounting Screw - #8 x 0.50"		
21a	5544599	Panel/Condenser Mounting Lockwasher		
22	5202059	Screw		
23	7626843	Valve Cores		
24		Legs - See Note for Serial Break		
24a	6017691	Legs		[2]
24b	000000718	Legs		[3]
25	000000546	Cartoning		

PART NOTES:

[1] - Emerson

S1800P, JC1395

JC1395 REMOTE CONDENSER

#	PART #	DESCRIPTION	QTY	Note
---	--------	-------------	-----	------

PART NOTES:

- [2] - Before Serial Number 110529484
- [3] - After Serial Number 110529484