

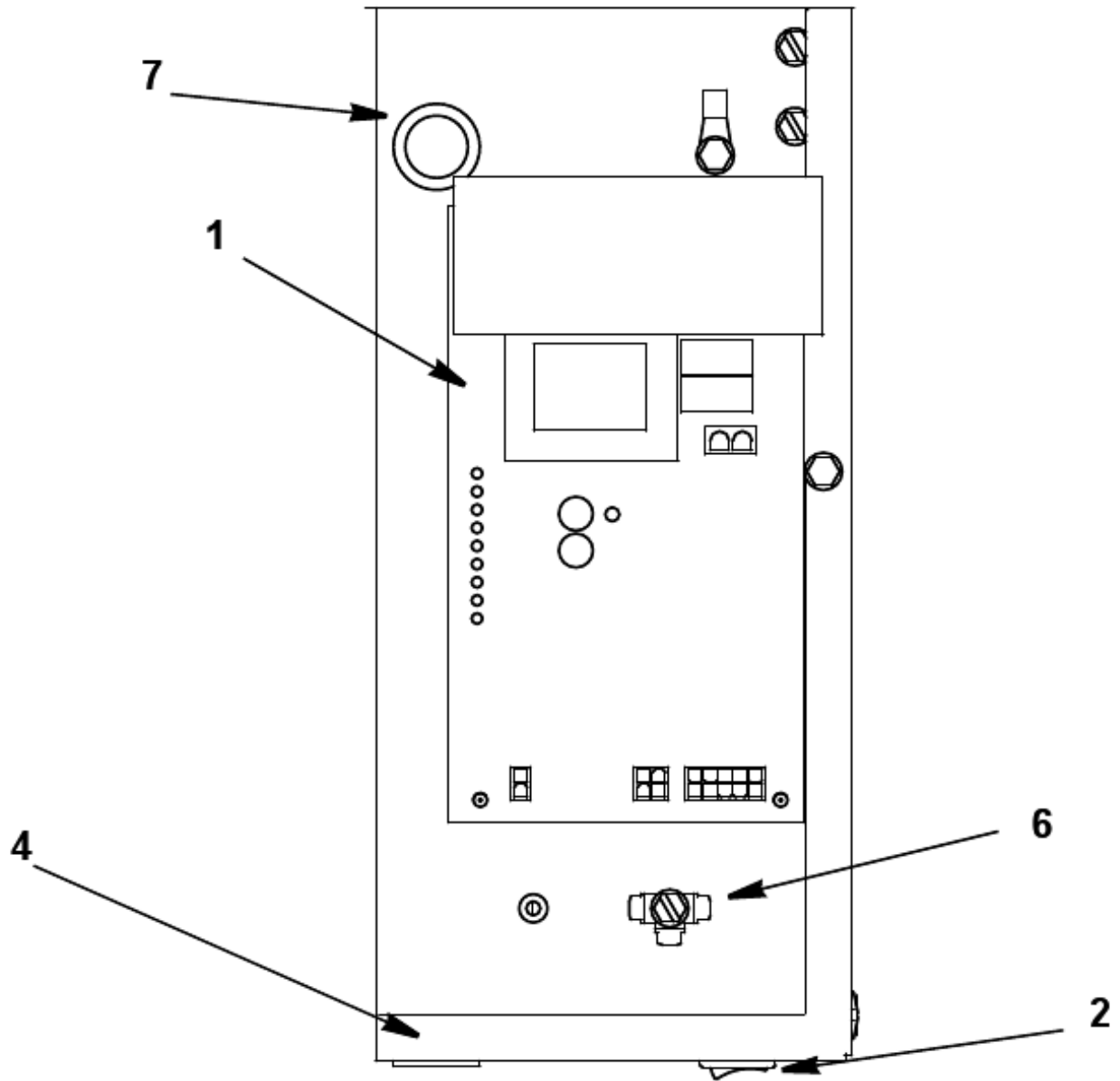


Manitowoc
Foodservice
Parts Manual

For more Parts Information:
<https://manitowocfsg.sysonline.com/Default.aspx>

S2070C, CVD2075

S2070C HEAD SECTION - CONTROL BOX COMPONENTS



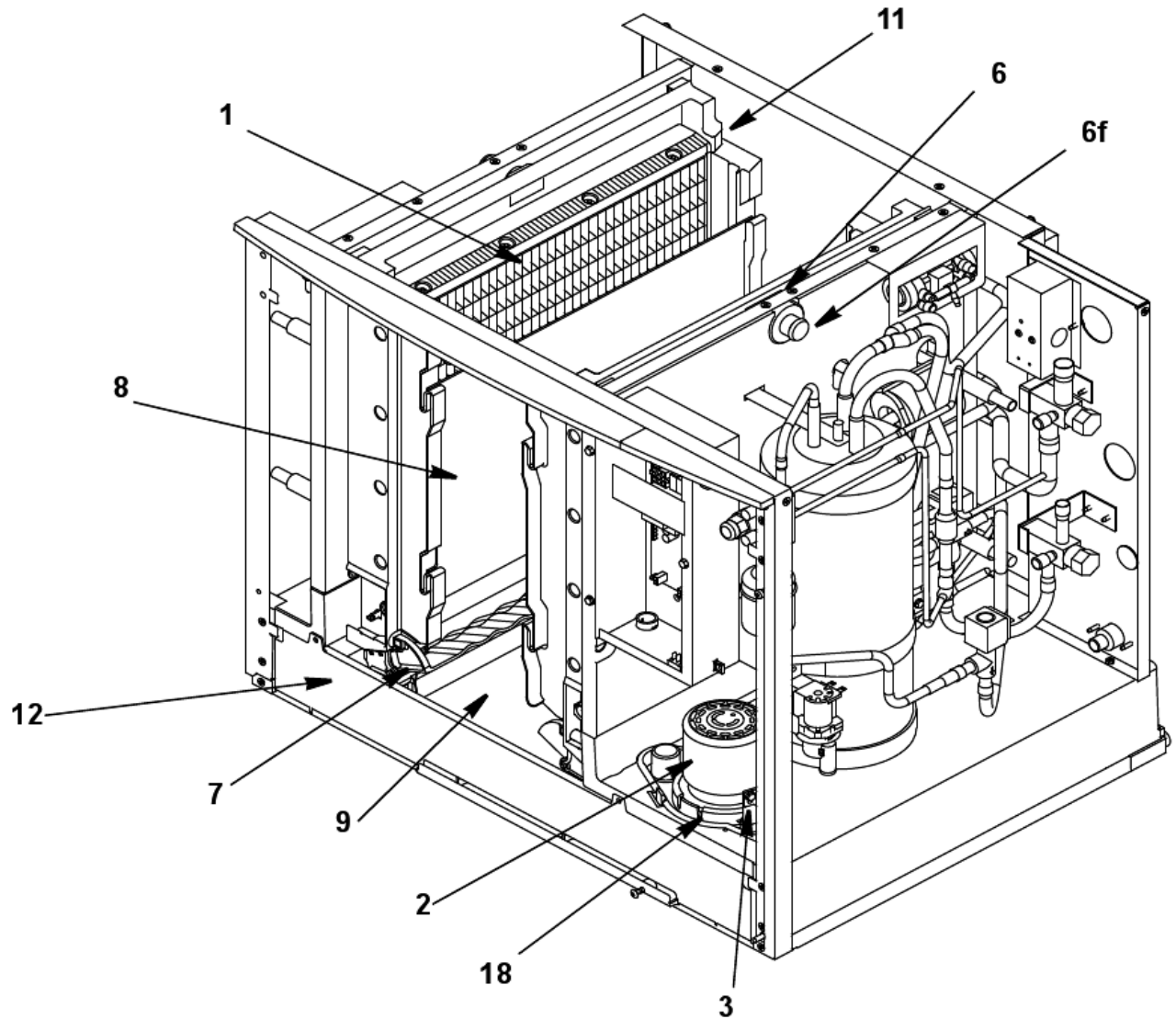
S2070C, CVD2075

S2070C HEAD SECTION - CONTROL BOX COMPONENTS

#	PART #	DESCRIPTION	QTY	Note
1	2006199	Control Board		
1a	000008240	7 Amp Fuse - Mounted on Control Board		
2	2007939	Toggle Switch		
2a	000001927	Toggle Switch Wiring Harness		
3	8373263	Refrigeration Service Valve Assembly		
4	000001811	Control Box		
4a	000002782	Control Box Cover		
5	4302253	Control Board Mounting Supports		
6	5202169	Screw - #10-24 x 0.50" Ground		
6a	5573209	Star Washer		
7	2500163	Bushing - 0.91" OD x 0.44" ID		
8		Control Box Wiring Harness		
8a	000001930	Control Box Wiring Harness - 115V/60 Hz/1 Ph		
8b	000001931	Control Box Wiring Harness - 230V/50 Hz/1 Ph		

S2070C, CVD2075

S2070C EVAPORATOR COMPARTMENT - COMMON COMPONENTS



S2070C, CVD2075

S2070C EVAPORATOR COMPARTMENT - COMMON COMPONENTS

#	PART #	DESCRIPTION	QTY	Note
1		Evaporator Assembly		
1a	000005983	Evaporator - Dice Cube		
1b	000005982	Evaporator - Half Dice Cube		
2		Water Pump		
2a	000001153	Water Pump - 115V/60 Hz		
2b	000000259	Water Pump - 230V/50 Hz		
3	2006549	Water Level Probe		
3a	2006559	Water Level Probe Holder		
3b	000002470	Bracket		
3c	2007989	Wire - Control Box to Probe		
3d	5202329	Screw - #10-24 x 0.25" PH		[1]
4	2008029	Ice Thickness Control Probe		
4a	5650909	Clip		[2]
5	000001756	Magnetic Bin Switch		
5a	000001421	Bin Switch Covers		
6	7602193	Water Distribution Tube - 30" Models		
6a	000001118	Molded Vinyl Tube		[3]
6b	000001117	Molded Vinyl Tube		[4]
6c	000001986	Barbed Fitting		
6d	5650609	Snap Clamp - 1.0" ID		[5]
6e	5650539	Snap Clamp - 1.123 x 1.296		[6]
6f	4014693	Fitting		[7]
6g	000001923	Fitting Bracket		
7	000002056	Ice Damper Assembly		
8	000009176	Splash Shields		
9	000001097	Water Trough		
10	000002176	Evaporator Top Filler Covers		
11	000002097	Evaporator Right/Left Filler Panels		
12	000002190	Front Panel Mount		
13	000002786	Evaporator Top Frame Assembly		
14	000001143	Evaporator Bottom Frame		
15	000001416	Evaporator Bottom Covers		
16	5004799	Thumbscrew SS - #8-32 x 0.375"		[8]
16a	5004629	O-Ring - 0.125" ID		
17	5012319	Screw - #12-16 x 0.75"		
18	000001202	Water Pump Mount		
19	5004659	Water Pump Base O-Ring - 4.00" ID		
20	5004679	Water Pump Outlet O-Ring - 0.875" ID		
21	5202069	Screw - #10-24 x 0.50" HEX		[9]
22	000002476	Washer		[9]

PART NOTES:

[1] - to mount water level probe holder

S2070C, CVD2075

S2070C EVAPORATOR COMPARTMENT - COMMON COMPONENTS

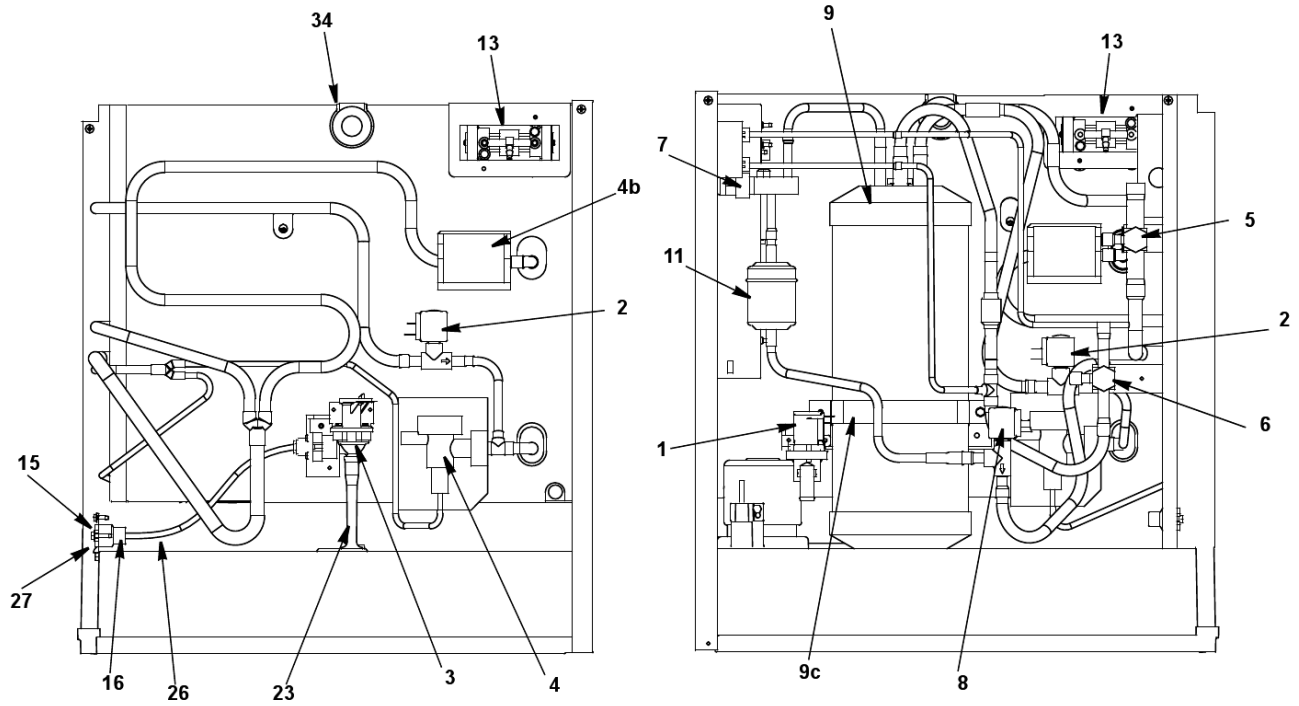
#	PART #	DESCRIPTION	QTY	Note
---	--------	-------------	-----	------

PART NOTES:

- [2] - holds ice thickness probe wire to bulkhead
- [3] - to Right Hand Distribution Tube
- [4] - to Left Hand Distribution Tube
- [5] - for barbed fitting
- [6] - vinyl tubes to distribution tubes
- [7] - through bulkhead
- [8] - Water Distribution Tube Mounting Each not shown
- [9] - water pump to pump mount

S2070C, CVD2075

S2070C REFRIGERATION COMPARTMENT - COMMON COMPONENTS



S2070C, CVD2075

S2070C REFRIGERATION COMPARTMENT - COMMON COMPONENTS

#	PART #	DESCRIPTION	QTY	Note
1		Water Dump Valve		
1a	000001767	Water Dump Valve - 115V/60 Hz		
1b	000001768	Water Dump Valve - 208-230V/50-60 Hz		
2		Harvest Valve		
2a	000002788	Solenoid Valve with Coil - 115V/60 Hz		
2b	7630121	Solenoid Valve with Coil - 208-230V		
2c	000005156	Danfoss Solenoid Valve Coil Only - 115V/60 Hz		[1]
2d	000005157	Danfoss Solenoid Valve Coil Only - 230V/50-60 Hz		[2]
3		Water Inlet Valve		
3a	000007965	Water Inlet Valve - 115V/60 Hz/1 Ph		
3b	000007966	Water Inlet Valve - 208-230V/50-60 Hz		
4	7602253	Expansion Valve		
4a	4000403	Valve Insulation Boot - Body		
4b	4000923	Valve Insulation Boot - Bulb		
5	8373283	Manual Shut-off Valve Suction Line		
5a	6036261	Bracket - 3/4" Valve		
5b	5545109	Lockwasher		
5c	5033459	Screw - 1/4-20 x 0.625"		
6	8373273	Manual Shut-off Valve Liquid Line		
7	8373169	Receiver Service Valve		
7a	5650753	Caps for Refrigeration Service Valve		
8		Liquid Line Solenoid Valve		
8a	000002788	Solenoid Valve with Coil - 115V/60 Hz		
8b	000005156	Danfoss Solenoid Valve Coil Only - 115V/60 Hz		[1]
8c	7630121	Solenoid Valve with Coil - 208-230V		
8d	000005157	Danfoss Solenoid Valve Coil Only - 230V/50-60 Hz		[2]
9	7629603	Receiver		
9a	000001779	Bracket - Receiver		[3]
9b	000001780	Bracket - Receiver		[4]
9c	6307214	Receiver Mounting Strap		
9d	5474889	Pushnut, Bolt Retainer		
10	8373159	Magni-Check Valve - 0.5"		
11	8930279	Drier		
12	2502283	Strain Relief		
13		Air Compressor		
13a	7603529	Air Compressor Pump 115V		
13b	000000444	Air Compressor Pump 230V		
13c	4011739	Air Manifold		[5]
13d	000006489	Air Assist Bracket		
14	000001911	Dump Valve Mounting Bracket		
15	8706093	Female Wing Adapter - 0.375"		
16	1360961	Male Connector		

S2070C, CVD2075

S2070C REFRIGERATION COMPARTMENT - COMMON COMPONENTS

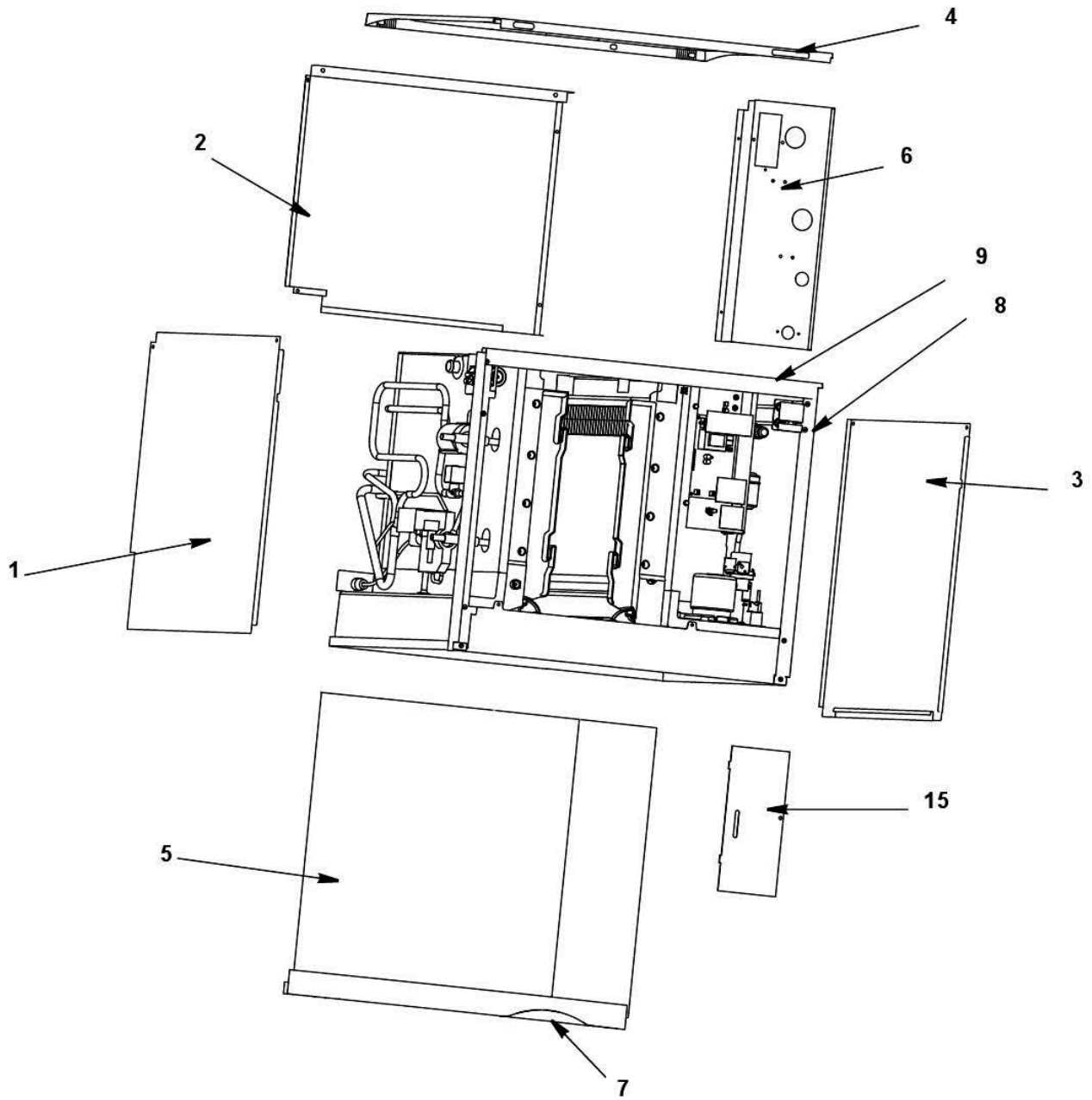
#	PART #	DESCRIPTION	QTY	Note
17	8706083	Female Wing Adapter - 0.50"		
18	000002340	Water Drain Tubing		
19	5650709	Snap Clamp - 0.799"/0.899" ID		
20	5650529	Clamp - Expansion Valve Bulb		
21	3000503	Strap - Expansion Valve Bulb - 0.5"		
22	5202069	Screw - #10-24 x 0.50" HEX		
23	4010439	Tubing - Water Inlet Valve		[6]
24	000002250	Mylar Shield - Water Inlet Valve		
25	6036721	Bracket - 1/2" Valve		
26	4420291	Vinyl Tube - 0.25" OD		
27	000002064	Bracket - Water Inlet Valve		
28	000002251	Service Valve Bracket		
29	4420883	Vinyl Tubing - 0.25" ID		
30	000001932	Wiring Harness		
31	5000013	Thumbscrew - #8-32 x 0.375"		
32	000002466	Screw		[7]
33	5650723	Compression Nut		
34	5650703	Snap Clamp - 0.799"/0.899" ID		

PART NOTES:

- [1] - \pages from 000005156_02.jpg" width=280 height=256>
- [2] - \pages from 000005156_02.jpg" width=266 height=183>
- [3] - (bottom)
- [4] - (top)
- [5] - (air pump tubing outlet)
- [6] - \pages from 401043_05.jpg" width=1797 height=2238>
- [7] - (Slot Hex)

S2070C, CVD2075

S2070C HEAD SECTION - PANELS



S2070C, CVD2075

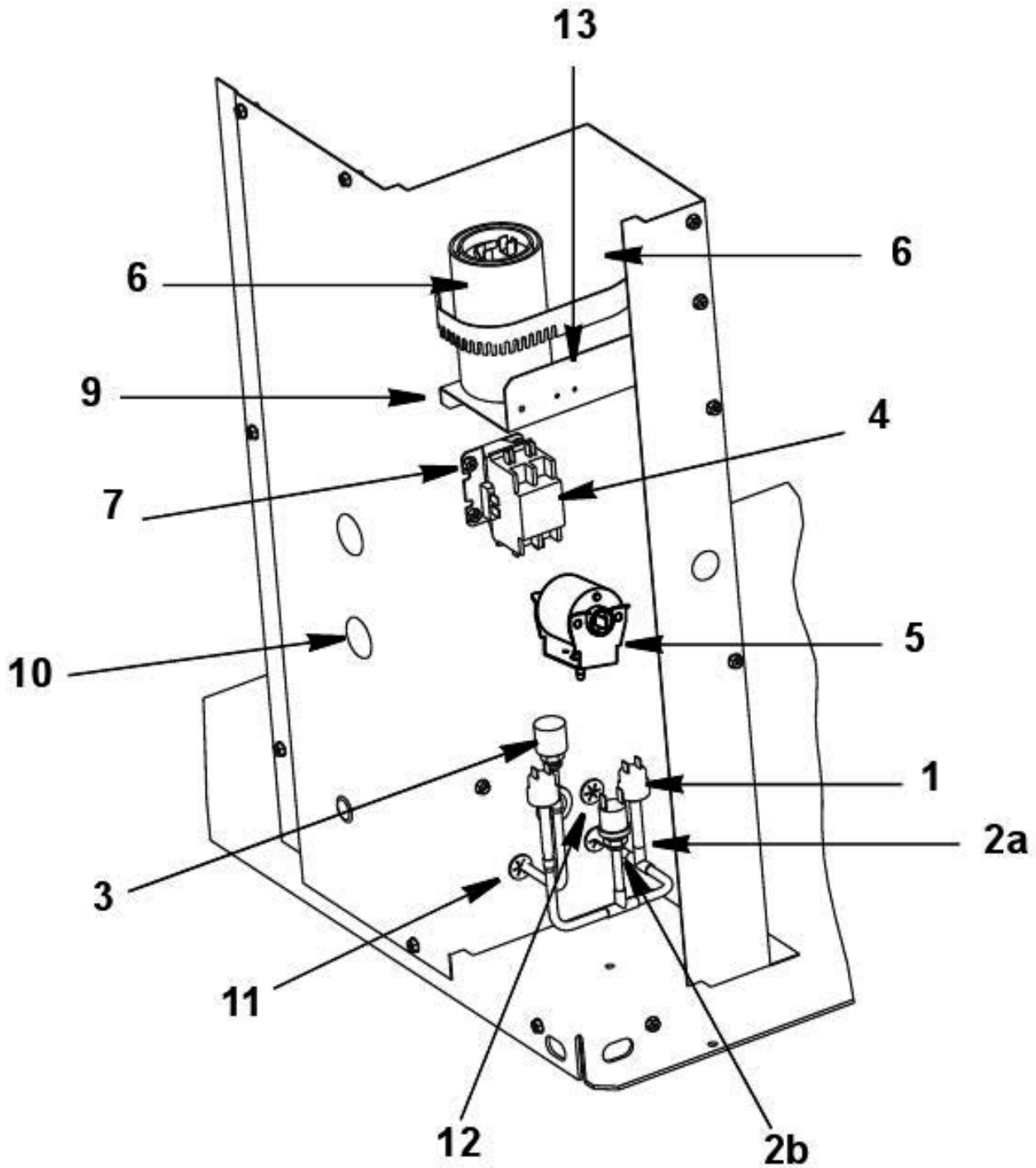
S2070C HEAD SECTION - PANELS

#	PART #	DESCRIPTION	QTY	Note
1	000002464	Left Side Panel		
2	000002462	Back Panel		
3	000002463	Right Side Panel		
4	000006699	Top Cover		
5	000002159	Front Door		
a.	000002190	Front Panel Mount		
6	000002016	Coupling Panel		
7	5005593	Front Door Screw		
7a	000000260	Front Panel - Shoulder Bolt		
7b	000000305	Nut		[1]
8	000001139	Front Vertical Angle		
9	000001447	Front Top Support		
9a	5202099	Screw - #10-24 x 0.50" PHIL		
9b	000002246	Plastic Dome Head Plug		
10	000001138	Bottom Front Angle		
10a	5005099	Mounting Screw - #10-16 x 0.625" PHIL		
11	5000373	Screw - #10-24 x 0.50" PHIL		
12	000002288	Spacer, Top Cover		
13	2006143	Terminal Block - 50 Hz - 3 Pole		
14		Electrical Connection Box Cover - See Note for Usage		
14a	6063989	Electrical Connection Box Cover		[2]
14b	000002317	Electrical Connection Box Cover		[3]
15		Control Box - See Note for Usage		
15a	000002230	Control Box		[2]
15b	000002316	Control Box		[3]
16	7112429	Cartoning		

PART NOTES:

- [1] - for shoulder bolt
- [2] - 60 Hz
- [3] - 50 Hz

CVD2075 CONDENSING UNIT - CONTROL BOX COMPONENTS



S2070C, CVD2075

CVD2075 CONDENSING UNIT - CONTROL BOX COMPONENTS

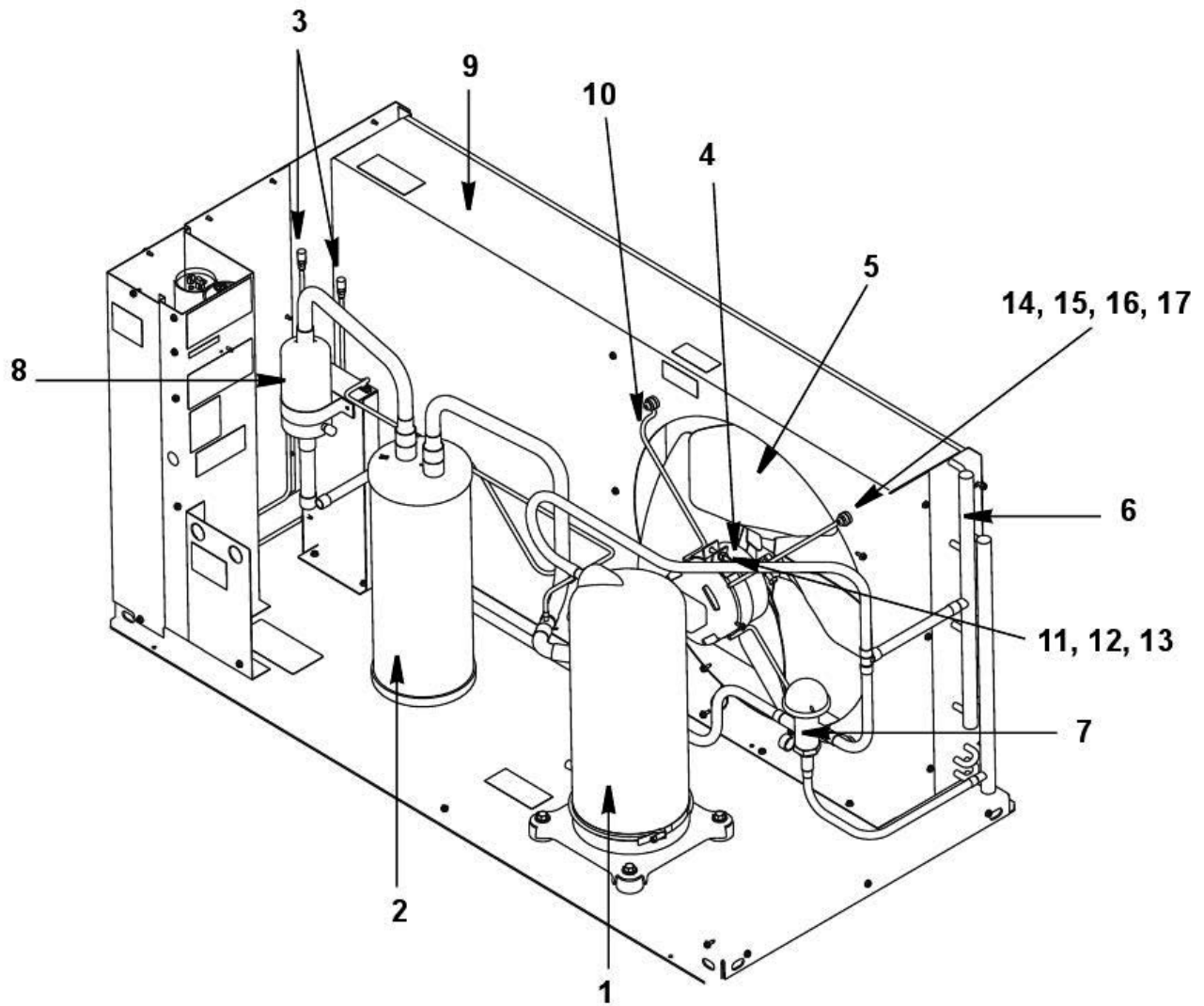
#	PART #	DESCRIPTION	QTY	Note
1	2001243	High Pressure Cut-out Control		
2		Fan Cycling Control		
2a	2001273	Fan Cycling Control - 225-275 psig		[1]
2b	2001263	Fan Cycling Control - 200-250 psig		[2]
3	2002229	Low Pressure Cut-out Control		
4		Contactator		
4a	000008857	Contactator 208-230V/60 Hz/1 Ph		
4b	2006619	Contactator - 230V/60 Hz/3 Ph Start Components Copeland		
5	000006527	PTCR Kit		[3]
6	8250243	Run Capacitor - 208-230V/60 Hz/1 Ph		
6a	8504493	Run Capacitor - 230V/50 Hz/1 Ph		
7	5202069	Screw - #10-24 x 0.50" HEX		
8	6021601	Capacitor Mounting Strap		
9	6034981	Capacitor Mounting Bracket		
10	5202169	Screw - #10-24 x 0.50" Ground		
11	2500169	Bushing - 0.91" OD x 0.44" ID		
12	2500029	Bushing - 1.125" OD x 0.75" ID		
13	2006143	Terminal Block - 50 Hz - 3 Pole		
14		Wiring Harness		
14a	2000249	Wiring Harness - 208-230V/60 Hz/1 Ph		
14b	2000593	Wiring Harness - 230V/50 Hz/1 Ph		

PART NOTES:

- [1] - \pages from 200126_09.jpg" width=170 height=228>
- [2] - \pages from 200126_09.jpg" width=150 height=306>
- [3] - replaces start capacitor and start relay

S2070C, CVD2075

CVD2075 CONDENSING UNIT - REFRIGERATION COMPARTMENT



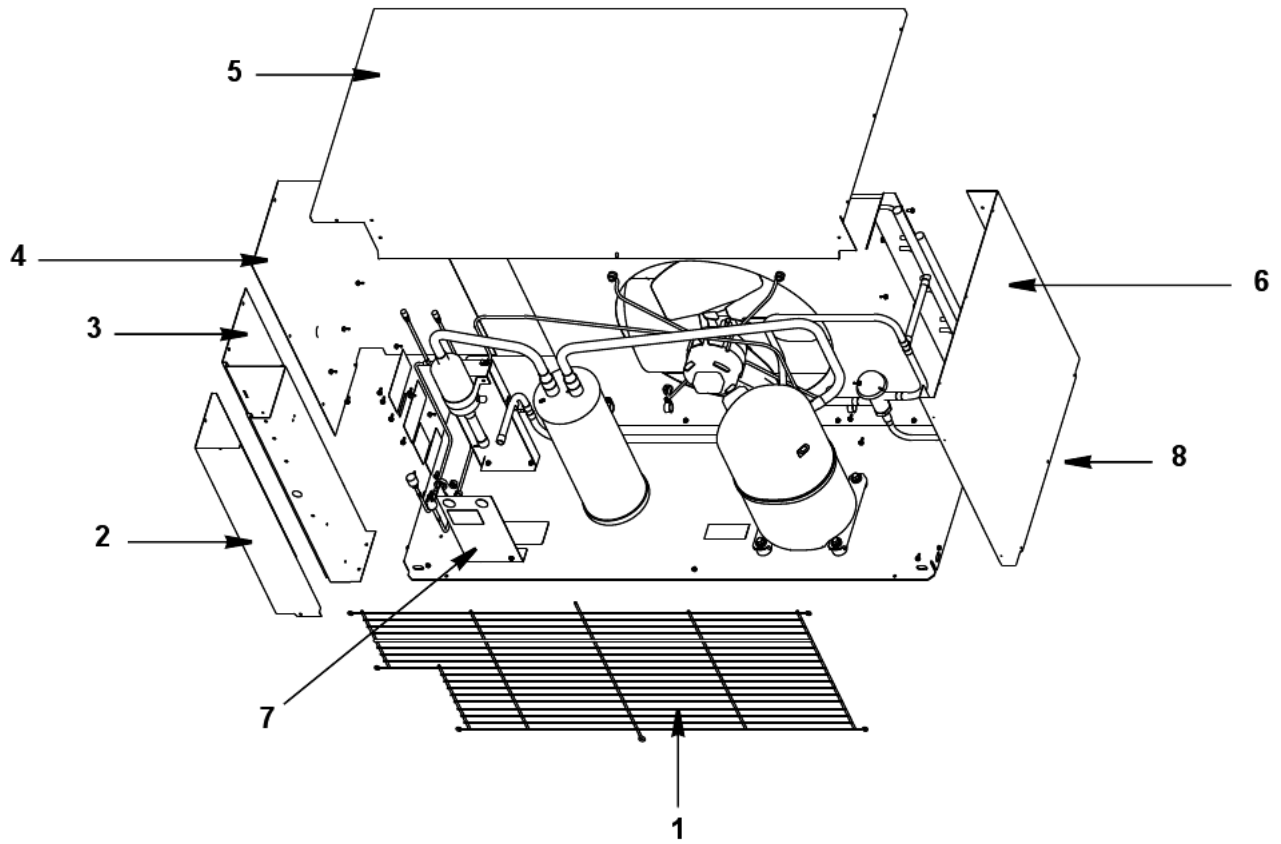
S2070C, CVD2075

CVD2075 CONDENSING UNIT - REFRIGERATION COMPARTMENT

#	PART #	DESCRIPTION	QTY	Note
1		Compressor		
1a	7600593	Compressor - Copeland - 208-230V/60 Hz/1 Ph		
1b	7600603	Compressor - Copeland - 208-230V/60 Hz/3 Ph		
1c	7600613	Compressor - Copeland - 220-240V/50 Hz/1 Ph		
2	8250473	Accumulator		
3	8373253	Access Valve		
4		Fan Motor		
4a	2000189	Fan Motor - 208-230V/60 Hz/1-3 Ph		
4b	2000583	Fan Motor - 208-230V/50 Hz/1 Ph		
5	8250083	Fan Blade		
6	8851413	Air Condenser		
7	000003190	Head Pressure Control Valve		
8	8250559	Suction Line Filter		
9	6038701	Fan Shroud		
10	3006833	Fan Motor Mounting Bracket		
11	5033589	Mounting - Screw		
12	5545119	Mounting - Lockwasher		
13	5429529	Mounting - Hexnut		
14	5033589	Mounting - Screw		
15	5545119	Mounting - Lockwasher		
16	5573059	Mounting - Flatwasher		
17	5429559	Mounting - Rubber Wellnut		

S2070C, CVD2075

CVD2075 CONDENSING UNIT - PANELS



S2070C, CVD2075

CVD2075 CONDENSING UNIT - PANELS

#	PART #	DESCRIPTION	QTY	Note
1	3000143	Condenser Fan Guard		
2	6040171	Control Box Cover		
3	6037071	Control Box Panel		
4		Left Side Panel		
4a	6038771	Left Side Panel		
4b	000002144	Top Cover		
5		Cover Top		
5a	6038751	Top Cover		
5b	000002142	Top Cover		
6	6038741	Right Side Panel		
7	6042261	Condensing Unit Tube Shield		
8	5202069	Screw - #10-24 x 0.50" HEX		
9	000001025	Cartoning		