



Manitowoc
Foodservice
Parts Manual

For more Parts Information:
<https://manitowocfsg.sysonline.com/Default.aspx>

TABLE OF CONTENTS

Manitowoc Foodservice [Updated: Sep. 30, 2013]

Manitowoc - Ice & Related

Parts Catalog

Ice Machine

S Series

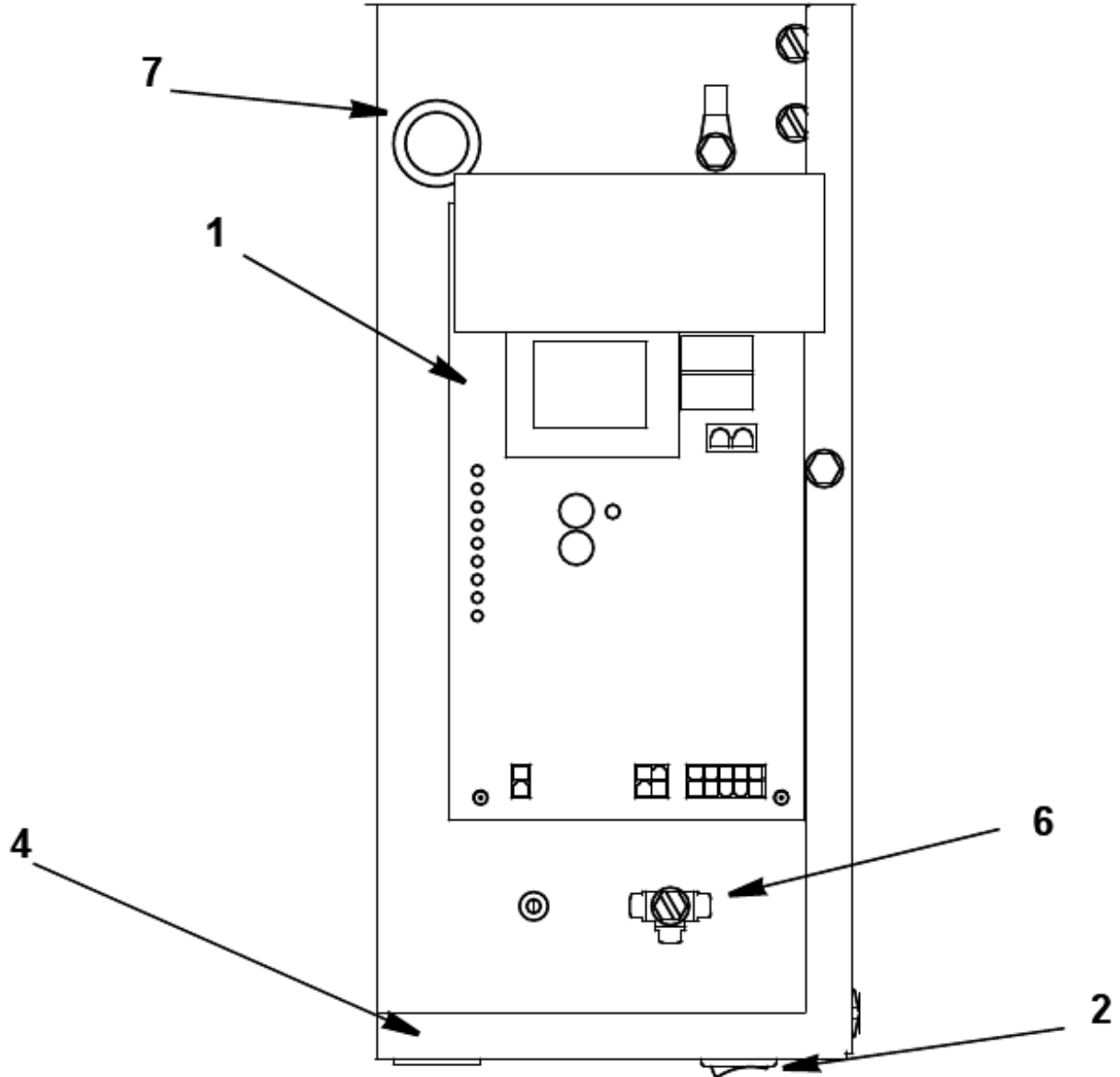
S Model - QuietCube

S2170C, CVD2085

S2170C Head Section - Control Box Components	1
S2170C Evaporator Compartment - Common Components	3
S2170C Refrigeration Compartment - Common Components	6
S2170C Head Section - Panels	9
CVD2085 Condensing Unit - Control Box Components	11
CVD2085 Condensing Unit - Refrigeration Compartment	13
CVD2085 Condensing Unit - Panels	15

S2170C, CVD2085

S2170C HEAD SECTION - CONTROL BOX COMPONENTS



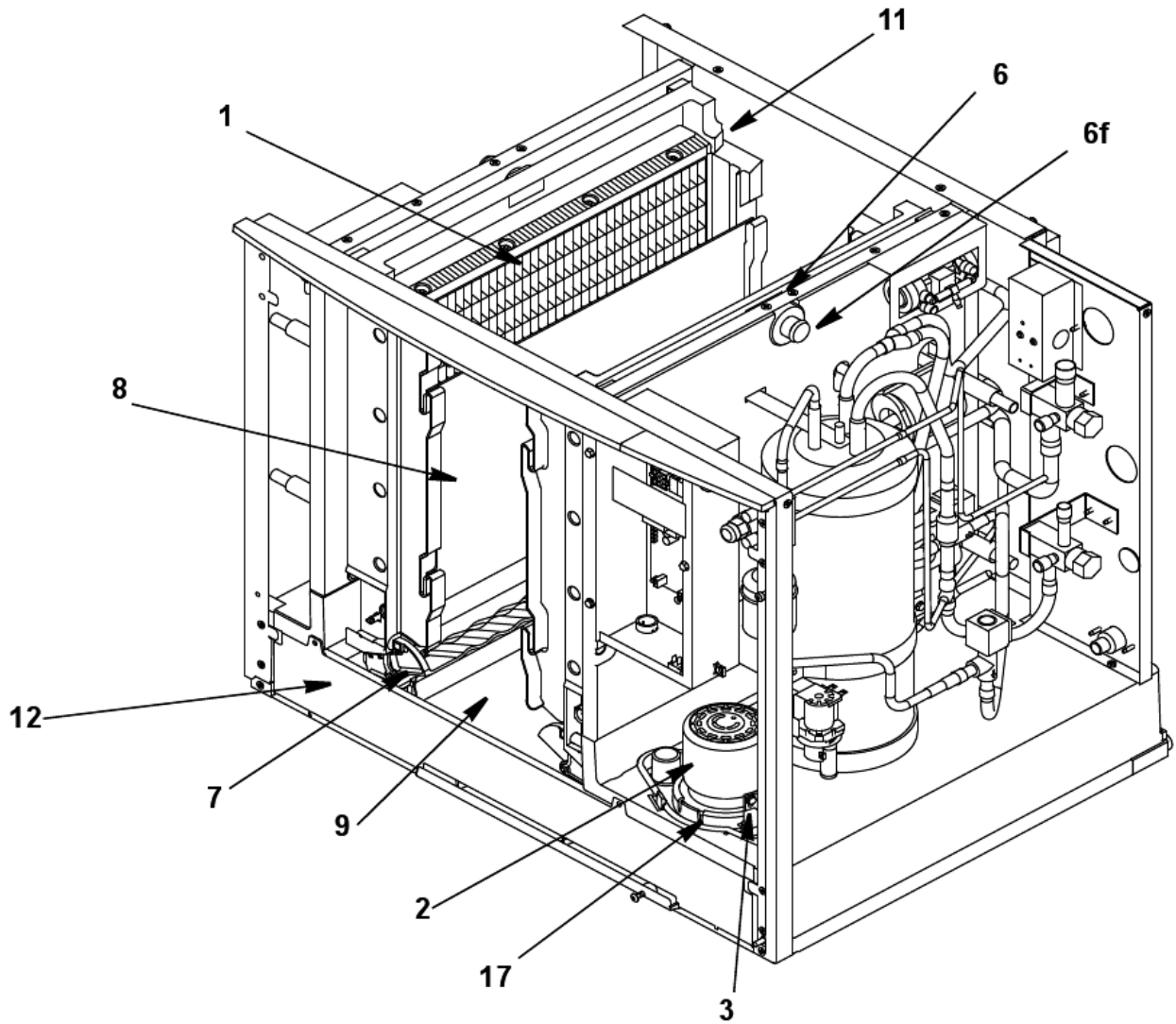
S2170C, CVD2085

S2170C HEAD SECTION - CONTROL BOX COMPONENTS

#	PART #	DESCRIPTION	QTY	Note
1	2006199	Control Board		
1a	000008240	7 Amp Fuse - Mounted on Control Board		
2	2007939	Toggle Switch		
2a	000001927	Toggle Switch Wiring Harness		
3	8373263	Refrigeration Service Valve Assembly		
4	000001811	Control Box		
4a	000002782	Control Box Cover		
5	4302253	Control Board Mounting Supports		
6	5202169	Screw - #10-24 x 0.50" Ground		
6a	5573209	Star Washer		
7	2500163	Bushing - 0.91" OD x 0.44" ID		
8		Control Box Wiring Harness		
8a	000001930	Control Box Wiring Harness - 115V/60 Hz/1 Ph		

S2170C, CVD2085

S2170C EVAPORATOR COMPARTMENT - COMMON COMPONENTS



S2170C, CVD2085

S2170C EVAPORATOR COMPARTMENT - COMMON COMPONENTS

#	PART #	DESCRIPTION	QTY	Note
1		Evaporator Assembly		
1a	000005982	Evaporator - Half Dice Cube		
1b	000005983	Evaporator - Dice Cube		
2		Water Pump		
2a	000001153	Water Pump - 115V/60 Hz		
3	2006549	Water Level Probe		
3a	2006559	Water Level Probe Holder		
3b	000002470	Bracket		
3c	2007989	Wire - Control Box to Probe		
3d	5202329	Screw - #10-24 x 0.25" PH		[1]
4	2008029	Ice Thickness Control Probe		
4a	5650909	Clip		[2]
5	000001756	Magnetic Bin Switch		
5a	000001421	Bin Switch Covers		
6	7602193	Water Distribution Tube - 30" Models		
6a	000001118	Molded Vinyl Tube		[3]
6b	000001117	Molded Vinyl Tube		[4]
6c	000001986	Barbed Fitting		
6d	5650609	Snap Clamp - 1.0" ID		[5]
6e	5650539	Snap Clamp - 1.123 x 1.296		[6]
6f	4014693	Fitting		[7]
6g	000002465	Fitting Bracket		
7	000002056	Ice Damper Assembly		
8	000009176	Splash Shields		
9	000001097	Water Trough		
10	000002176	Evaporator Top Filler Covers		
11	000002307	Evaporator Right/Left Filler Panels		
12	000002190	Front Panel Mount		
13	000002786	Evaporator Top Frame Assembly		
14	000002787	Evaporator Bottom Frame Assembly		
15	5004799	Thumbscrew SS - #8-32 x 0.375"		[8]
15a	5004629	O-Ring - 0.125" ID		
16	5012319	Screw - #12-16 x 0.75"		
17	000001202	Water Pump Mount		
18	5004659	Water Pump Base O-Ring - 4.00" ID		
19	5004679	Water Pump Outlet O-Ring - 0.875" ID		
20	5202069	Screw - #10-24 x 0.50" HEX		[9]
21	000002476	Washer		[9]

PART NOTES:

- [1] - to mount water level probe holder
- [2] - holds ice thickness probe wire to bulkhead
- [3] - to Right Hand Distribution Tube

S2170C, CVD2085

S2170C EVAPORATOR COMPARTMENT - COMMON COMPONENTS

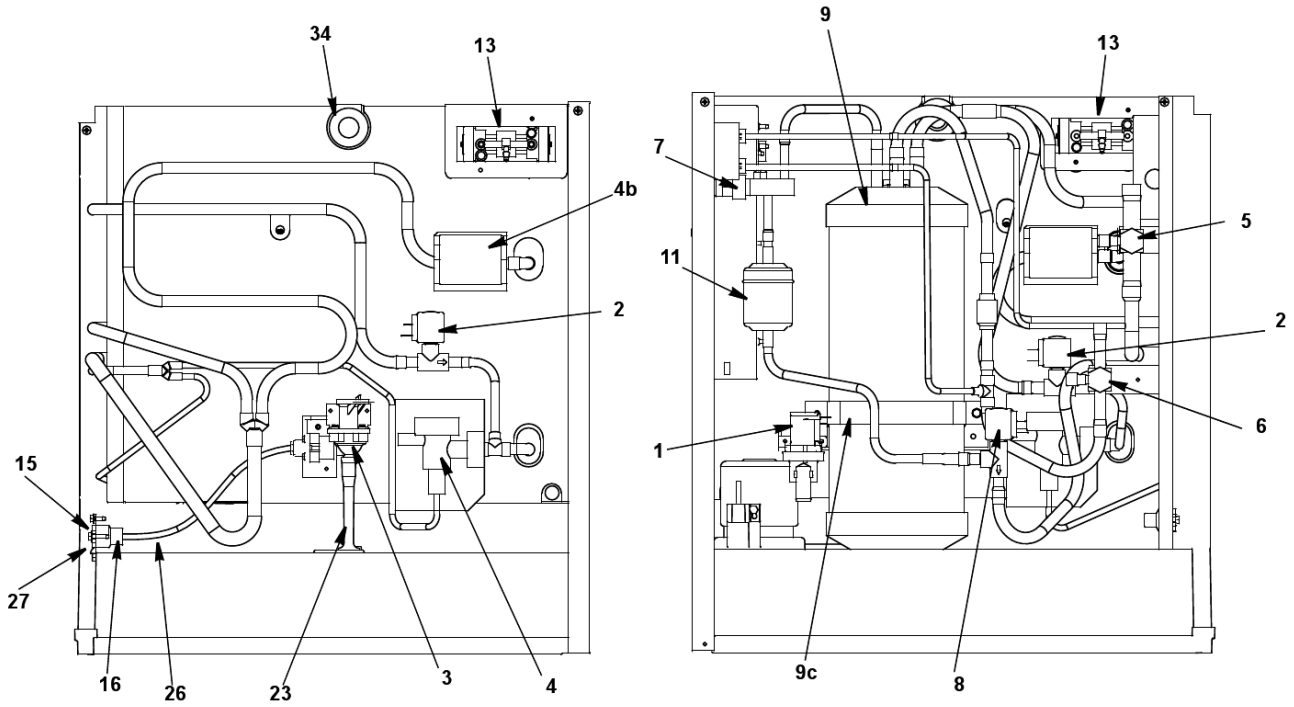
#	PART #	DESCRIPTION	QTY	Note
---	--------	-------------	-----	------

PART NOTES:

- [4] - to Left Hand Distribution Tube
- [5] - for barbed fitting
- [6] - vinyl tubes to distribution tubes
- [7] - through bulkhead
- [8] - Water Distribution Tube Mounting
- [9] - water pump to pump mount

S2170C, CVD2085

S2170C REFRIGERATION COMPARTMENT - COMMON COMPONENTS



S2170C, CVD2085

S2170C REFRIGERATION COMPARTMENT - COMMON COMPONENTS

#	PART #	DESCRIPTION	QTY	Note
1		Water Dump Valve		
1a	000001767	Water Dump Valve - 115V/60 Hz		
2		Harvest Valve		
2a	000002788	Solenoid Valve with Coil - 115V/60 Hz		
2b	7630121	Solenoid Valve with Coil - 208-230V		
2c	000005156	Danfoss Solenoid Valve Coil Only - 115V/60 Hz		[1]
2d	000005157	Danfoss Solenoid Valve Coil Only - 230V/50-60 Hz		[2]
3		Water Inlet Valve		
3a	000007965	Water Inlet Valve - 115V/60 Hz/1 Ph		
3b	000007966	Water Inlet Valve - 208-230V/50-60 Hz		
4		Expansion Valves		
4a	7600223	Machine Manufactured After 1/10 - Expansion Valve		
4b	7601593	Machine Manufactured Before 1/10 - Expansion Valve		
4c	4000403	Valve Insulation Boot - Body		
4d	4000923	Valve Insulation Boot - Bulb		
5	8373283	Manual Shut-off Valve Suction Line		
5a	6036261	Bracket - 3/4" Valve		
5b	5545109	Lockwasher		
5c	5033459	Screw - 1/4-20 x 0.625"		
6	8373303	Manual Shut-Off Valve - Suction Line		
7	8373169	Receiver Service Valve		
7a	5650753	Caps for Refrigeration Service Valve		
8		Liquid Line Solenoid Valve		
8a	000002788	Solenoid Valve with Coil - 115V/60 Hz		
8b	000005156	Danfoss Solenoid Valve Coil Only - 115V/60 Hz		[1]
8c	7630121	Solenoid Valve with Coil - 208-230V		
8d	000005157	Danfoss Solenoid Valve Coil Only - 230V/50-60 Hz		[2]
9	7629603	Receiver		
9a	000001779	Bracket - Receiver		[3]
9b	000001780	Bracket - Receiver		[4]
9c	6307214	Receiver Mounting Strap		
9d	5474889	Pushnut, Bolt Retainer		
10	000001290	Check Valve		
11	8930279	Drier		
12	2502283	Strain Relief		
13		Air Compressor		
13a	7603529	Air Compressor Pump 115V		
13b	000000444	Air Compressor Pump 230V		
13c	4011739	Air Manifold		[5]
13d	000006489	Air Assist Bracket		
14	000001911	Dump Valve Mounting Bracket		
15	8706093	Female Wing Adapter - 0.375"		

S2170C, CVD2085

S2170C REFRIGERATION COMPARTMENT - COMMON COMPONENTS

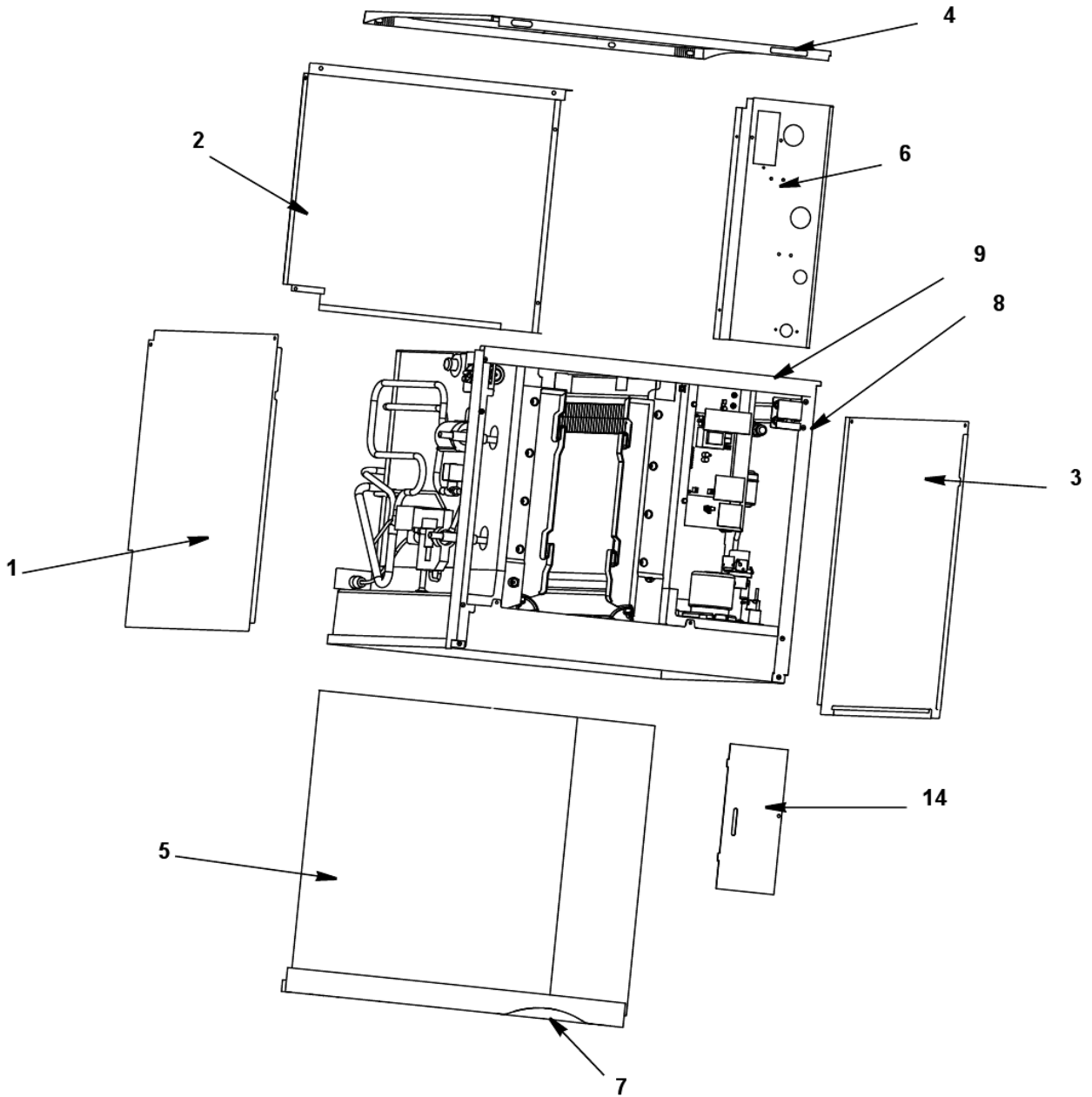
#	PART #	DESCRIPTION	QTY	Note
16	1360961	Male Connector		
17	8706083	Female Wing Adapter - 0.50"		
18	000002340	Water Drain Tubing		
19	5650709	Snap Clamp - 0.799"/0.899" ID		
20	5650529	Clamp - Expansion Valve Bulb		
21	3000503	Strap - Expansion Valve Bulb - 0.5"		
22	5202069	Screw - #10-24 x 0.50" HEX		
23	4010439	Tubing - Water Inlet Valve		[6]
24	000002250	Mylar Shield - Water Inlet Valve		
25	6036721	Bracket - 1/2" Valve		
26	4420291	Vinyl Tube - 0.25" OD		
27	000002064	Bracket - Water Inlet Valve		
28	000002251	Service Valve Bracket		
29	4420883	Vinyl Tubing - 0.25" ID		
30	000001932	Wiring Harness		
31	5000013	Thumbscrew - #8-32 x 0.375"		
32	000002466	Screw		[7]
33	5650723	Compression Nut		
34	5650703	Snap Clamp - 0.799"/0.899" ID		

PART NOTES:

- [1] - \pages from 000005156_02.jpg" width=280 height=256>
- [2] - \pages from 000005156_02.jpg" width=266 height=183>
- [3] - bottom
- [4] - top
- [5] - air pump tubing outlet
- [6] - \pages from 401043_05.jpg" width=1797 height=2238>
- [7] - Slot Hex

S2170C, CVD2085

S2170C HEAD SECTION - PANELS



S2170C, CVD2085

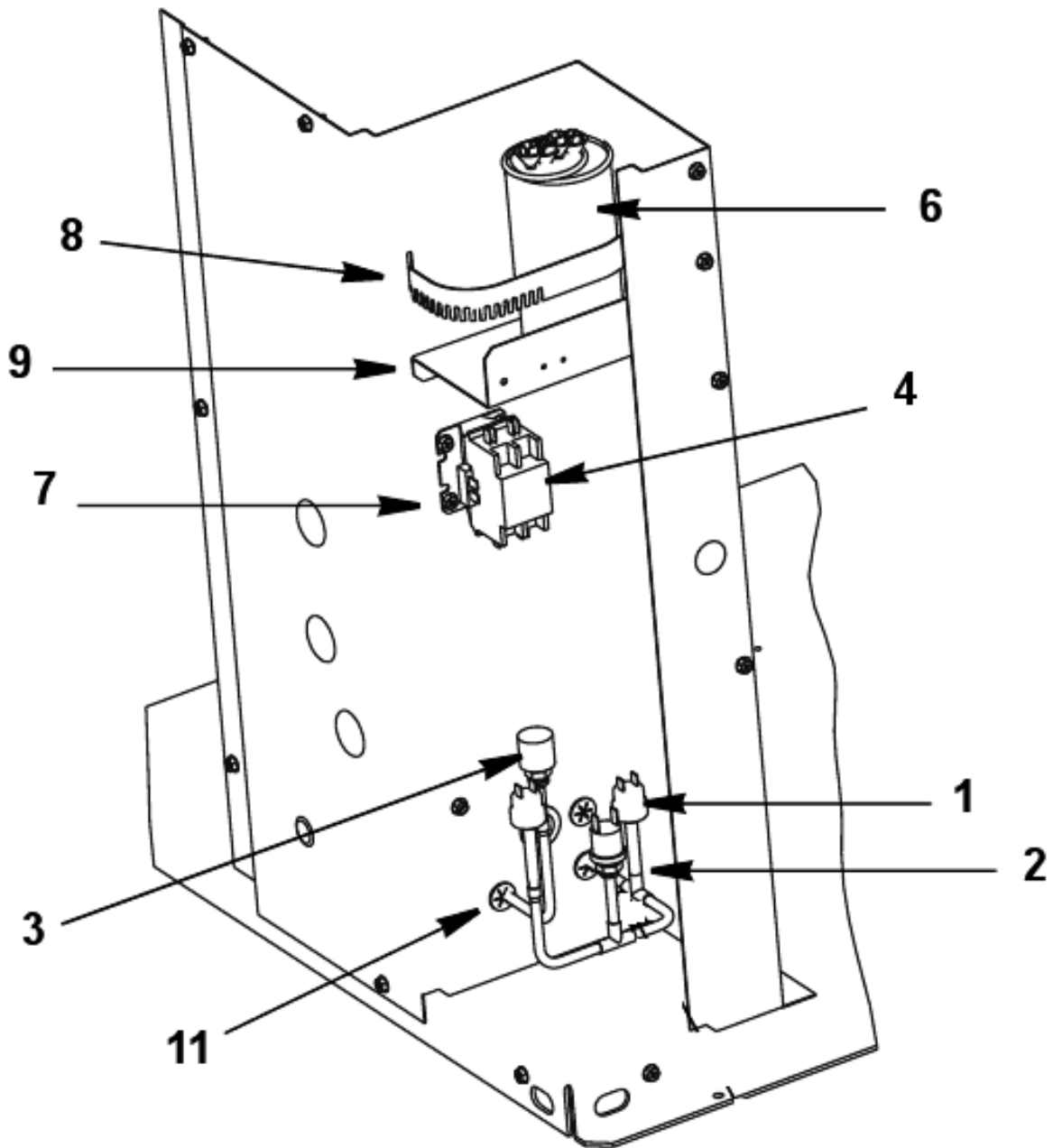
S2170C HEAD SECTION - PANELS

#	PART #	DESCRIPTION	QTY	Note
1	000002464	Left Side Panel		
2	000002462	Back Panel		
3	000002463	Right Side Panel		
4	000006699	Top Cover		
5	000002159	Front Door		
5a	000002190	Front Panel Mount		
6	000002016	Coupling Panel		
7	5005593	Front Door Screw		
7a	000000260	Front Panel - Shoulder Bolt		
7b	000000305	Nut		[1]
8	000002015	Front Vertical Angle		
9	000001447	Front Top Support		
9a	5202099	Screw - #10-24 x 0.50" PHIL		
9b	000002246	Plastic Dome Head Plug		
10	000001138	Bottom Front Angle		
10a	5005099	Mounting Screw - #10-16 x 0.625" PHIL		
11	5000373	Screw - #10-24 x 0.50" PHIL		
12	000002288	Spacer, Top Cover		
13	6063989	Electrical Connection Box Cover		
14	000002230	Control Box		
15	7112429	Cartoning		

PART NOTES:

[1] - for shoulder bolt

CVD2085 CONDENSING UNIT - CONTROL BOX COMPONENTS



S2170C, CVD2085

CVD2085 CONDENSING UNIT - CONTROL BOX COMPONENTS

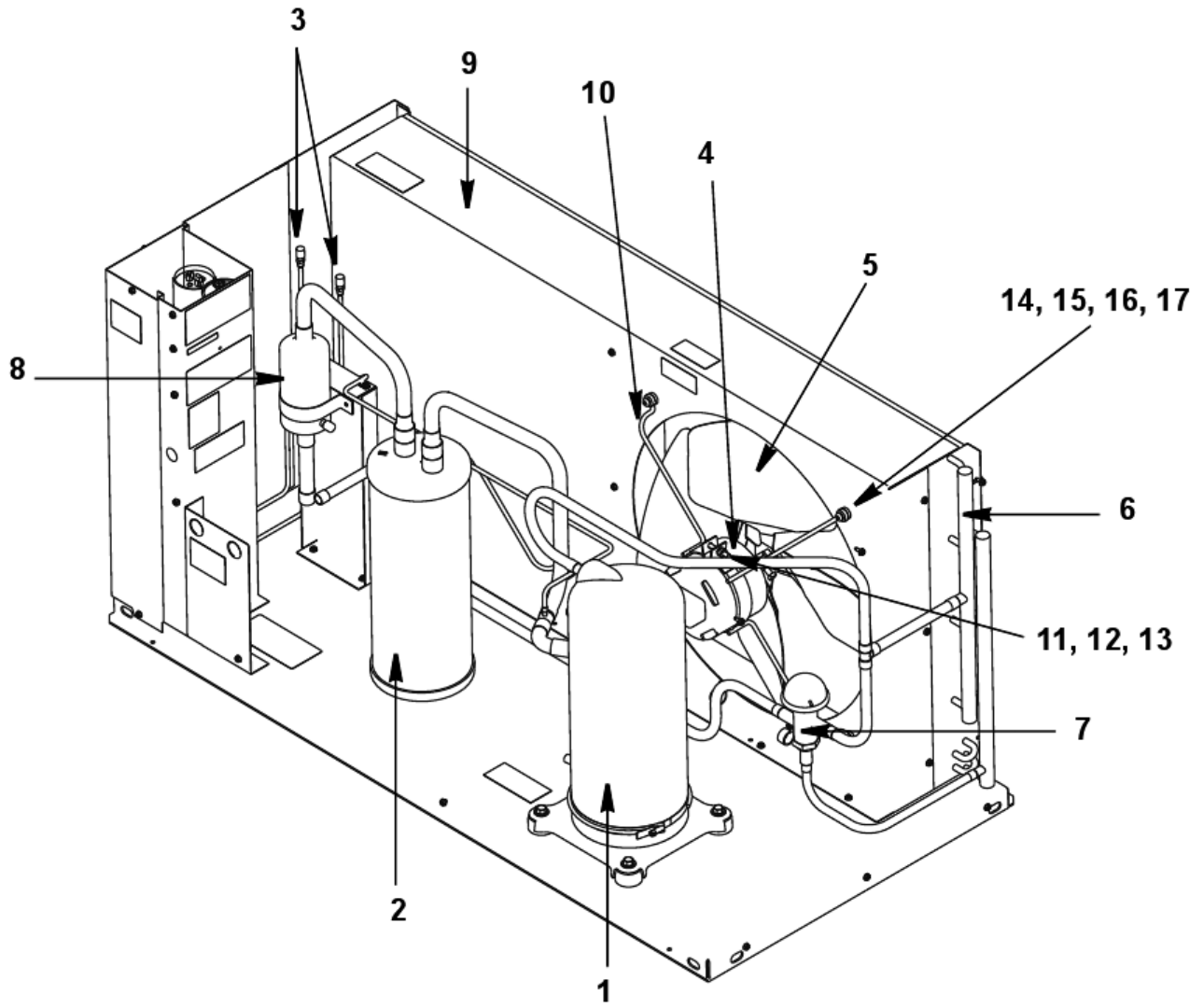
#	PART #	DESCRIPTION	QTY	Note
1	2001243	High Pressure Cut-out Control		
2	2001263	Fan Cycling Control - 200-250 psig		[1]
3	2002229	Low Pressure Cut-out Control		
4		Contactors		
4a	000008857	Contactors 208-230V/60 Hz/1 Ph		
4b	2006619	Contactors - 230V/60 Hz/3 Ph		
5	8504913	PTCR		
5a	8504953	PTCR Bracket		
		Start Components Copeland		
6	000000025	Run Capacitor 208-230V/50-60 Hz/1 Ph		
7	5202069	Screw - #10-24 x 0.50" HEX		
8	6021601	Capacitor Mounting Strap		
9	6034981	Capacitor Mounting Bracket		
10	5202169	Screw - #10-24 x 0.50" Ground		
11	2500169	Bushing - 0.91" OD x 0.44" ID		
12	2500029	Bushing - 1.125" OD x 0.75" ID		
13		Wiring Harnesses		
		Main - Wiring Harness		
13a	000002792	Wire Harness 208-230V/60/1 Ph		
13b	000002793	Wiring Harness - Main - 208-230V/60 Hz/3 Ph		
13c	000005134	Wiring Harness 208-230V/60/1 Ph		[2]
		Compressor- Wiring Harness		
13d	000002794	Wiring Harness - Compressor - 208-230V/60 Hz/1 Ph		
13e	000001369	Wiring Harness - Compressor - 208-230V/60 Hz/3 Ph & 415V/50 Hz/3 Ph		
13f	000006720	Compressor Wiring Harness 208-230V/60/1 Ph		[2]
13g	000006719	Compressor Wiring Harness 208-230V/60/3 Ph		[2]

PART NOTES:

- [1] - \pages from 200126_09.jpg" width=150 height=306>
- [2] - machine with PTCR

S2170C, CVD2085

CVD2085 CONDENSING UNIT - REFRIGERATION COMPARTMENT



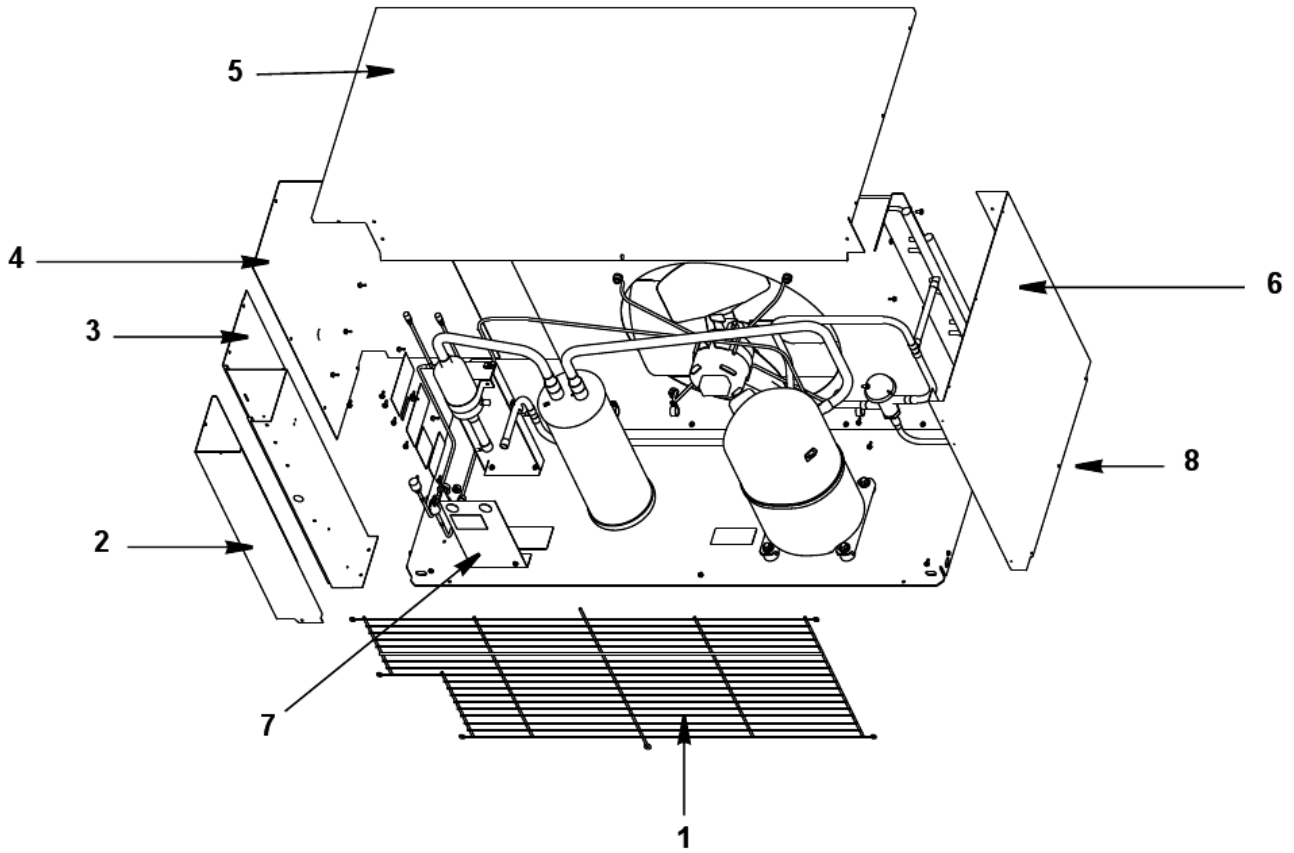
S2170C, CVD2085

CVD2085 CONDENSING UNIT - REFRIGERATION COMPARTMENT

#	PART #	DESCRIPTION	QTY	Note
1		Compressor		
1a	000006021	Compressor 208-230V/60 Hz/1 Ph		
1b	000008732	Compressor 208-230V/60Hz/1Ph Machine Manufactured Before 1/10		
1c	000006022	Compressor 208-230V/60Hz/3Ph		
1d	000008733	Compressor 208-230v/60Hz/3Ph Machine Manufactured Before 1/10		
1g	8250483	Crankcase Heater		
2	8250473	Accumulator		
3	8373253	Access Valve		
4		Fan Motor		
4a	2000189	Fan Motor - 208-230V/60 Hz/1-3 Ph		
5	8250083	Fan Blade		
6	8851413	Air Condenser		
7	000003190	Head Pressure Control Valve		
8	8250559	Suction Line Filter		
9	000002790	Fan Shroud		
10	3006833	Fan Motor Mounting Bracket		
11	5033589	Mounting - Screw		
12	5545119	Mounting - Lockwasher		
13	5429529	Mounting - Hexnut		
14	5033589	Mounting - Screw		
15	5545119	Mounting - Lockwasher		
16	5573059	Mounting - Flatwasher		
17	5429559	Mounting - Rubber Wellnut		

S2170C, CVD2085

CVD2085 CONDENSING UNIT - PANELS



S2170C, CVD2085

CVD2085 CONDENSING UNIT - PANELS

#	PART #	DESCRIPTION	QTY	Note
1	3000143	Condenser Fan Guard		
2	6040171	Control Box Cover		
3	6037071	Control Box Panel		
4	6038771	Left Side Panel		
5	6038751	Top Cover		
6	6038741	Right Side Panel		
7	6042261	Condensing Unit Tube Shield		
8	5202069	Screw - #10-24 x 0.50" HEX		
9	000001025	Cartoning		