



Manitowoc
Foodservice
Parts Manual

For more Parts Information:
<https://manitowocfsg.sysonline.com/Default.aspx>

TABLE OF CONTENTS

Manitowoc Foodservice [Updated: Sep. 30, 2013]

Manitowoc - Ice & Related

Parts Catalog

Ice Machine

S Series

S Model - Air, Water & Remote

S3300

S3300 Control Box Components 1

S3300 Evaporator Compartment - Common Components 3

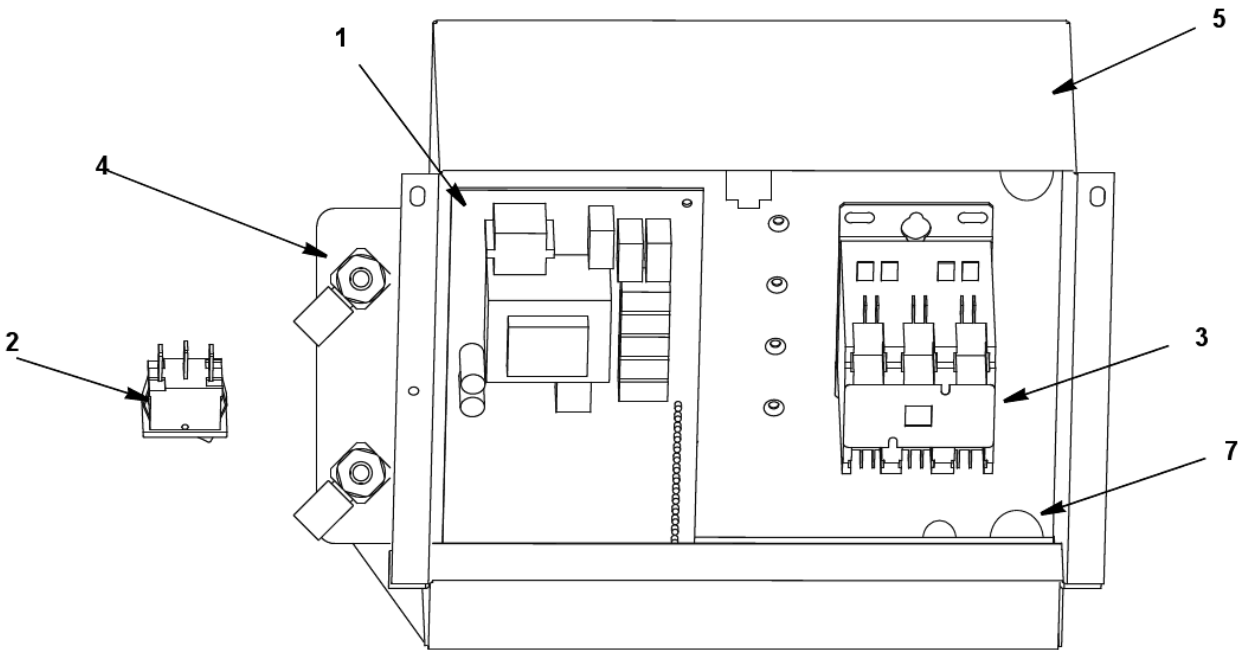
S3300 Refrigeration Compartment - Common Components 6

S3300 Refrigeration Compartment - Water-cooled Components 9

S3300 Panels 11

S3300

S3300 CONTROL BOX COMPONENTS



S3300

S3300 CONTROL BOX COMPONENTS

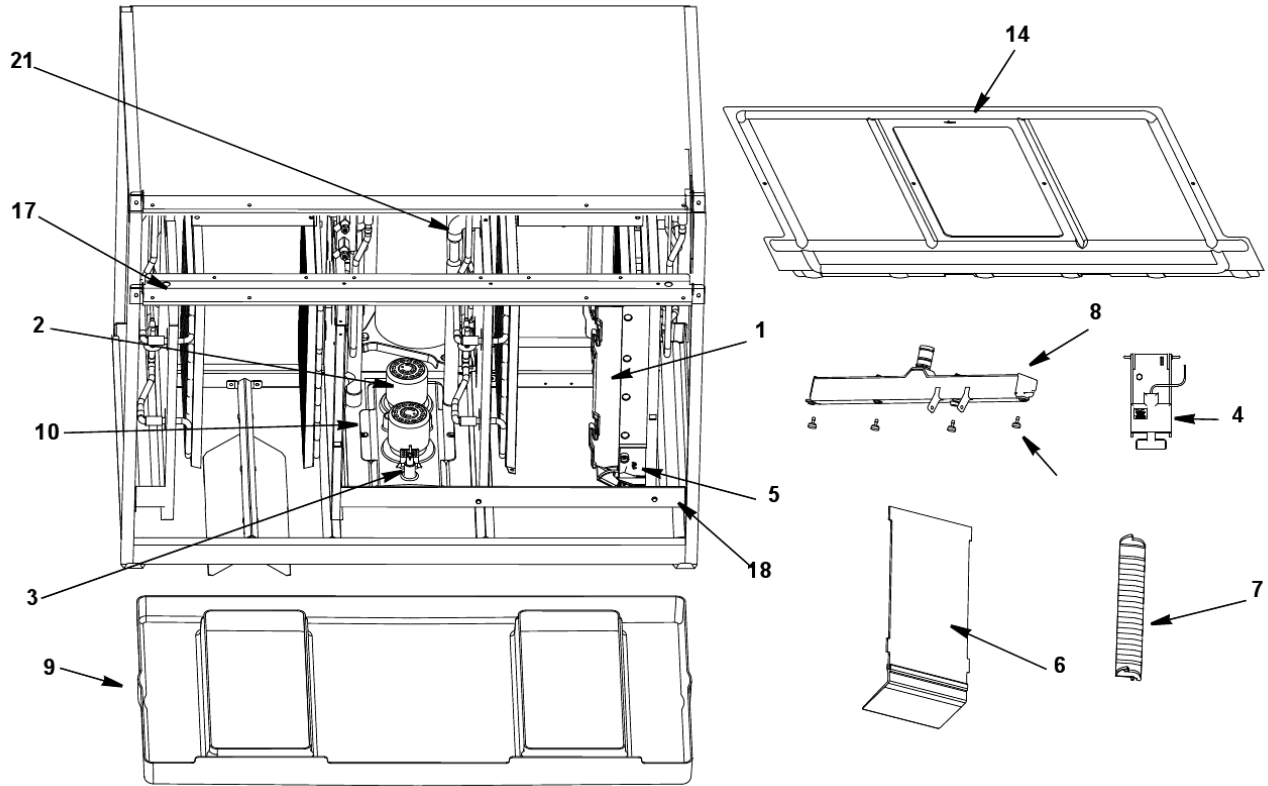
#	PART #	DESCRIPTION	QTY	Note
1	000003284	Control Board		
1a	000008240	7 Amp Fuse - Mounted on Control Board		
2	2007939	Toggle Switch		
2a	000002858	Toggle Switch Wiring Harness		
2b	4011639	Toggle Switch Box		
3		Contactor		
3a	2006619	Contactor - 230V/60 Hz/3 Ph		
4	8373253	Access Valve		
4a	000008312	Mounting Bracket - Valve		
5	000003088	Control Box		
5a	000003089	Control Box Cover		
5b	6067249	Control Box Bracket		
6	4302253	Control Board Mounting Supports		
7	2502193	Bushing		
8	5202169	Screw - #10-24 x 0.50" Ground		
8a	5573209	Star Washer		
9	5202069	Screw - #10-24 x 0.50" HEX		
10		Wiring Harnesses		
10a	000002860	Wiring Harness - Control Box		
10b	000002859	Wiring Harness - Curtain Switch		
10c	000003253	Wiring Harness - Bulkhead Water		
10d	000003260	Wiring Harness - Low Pressure Protection		
10e	000003172	Wiring Harness - Compressor		
10f	000003170	Wiring Harness - Water-cooled		[1]

PART NOTES:

[1] - incoming power supply

S3300

S3300 EVAPORATOR COMPARTMENT - COMMON COMPONENTS



S3300

S3300 EVAPORATOR COMPARTMENT - COMMON COMPONENTS

#	PART #	DESCRIPTION	QTY	Note
1		Evaporator Assembly		
1a	000002783	Evaporator - Dice Cube		
1b	000002784	Evaporator - Half Dice Cube		
2	000000259	Water Pump - 230V/50 Hz		
3	2006549	Water Level Probe		
3a	2006559	Water Level Probe Holder		
3b	000003355	Water Level Probe Bracket		
3c	2007989	Wire - Control Box to Probe		
3d	5202329	Screw - #10-24 x 0.25" PH		[1]
4	2008029	Ice Thickness Control Probe		[2]
4a	5650909	Clip		[3]
5	000001756	Magnetic Bin Switch		
5a	000001421	Bin Switch Covers		
6	000009175	Splash Shields		
7	000002056	Ice Damper Assembly		
8	7602193	Water Distribution Tube - 30" Models		
8a	000001118	Molded Vinyl Tube		[4]
8b	000001117	Molded Vinyl Tube		[5]
8c	000001986	Barbed Fitting		
8d	5650609	Snap Clamp - 1.0" ID		[6]
8e	5650539	Snap Clamp - 1.123 x 1.296		[7]
8f	4014693	Fitting		[8]
8g	000001923	Fitting Bracket		
8h	5004649	O-Rings		[9]
9	000002956	Water Trough		
9a	000003105	Trough Support Bracket		
10	000002955	Water Pump and Water Level Probe Mount		
11	5004799	Thumbscrew SS - #8-32 x 0.375"		[10]
11a	5004629	O-Ring - 0.125" ID		
12	5004619	Screw - #12-16 x 0.687"		
13	000003107	Evaporator Top Covers		
14	000002993	Evaporator Front Cover		
15	000002176	Evaporator Top Filler Covers		
16	000001416	Evaporator Bottom Covers		
17	000003026	Evaporator Top Support		
18	000003025	Evaporator Bottom Support		
19	5012319	Screw - #12-16 x 0.75"		
20		Water Level Probe		
20a	2006559	Water Level Probe Holder		
20b	000003355	Water Level Probe Bracket		
20c	5202069	Screw - #10-24 x 0.50" HEX		
21		Molded Vinyl Tubing		

S3300

S3300 EVAPORATOR COMPARTMENT - COMMON COMPONENTS

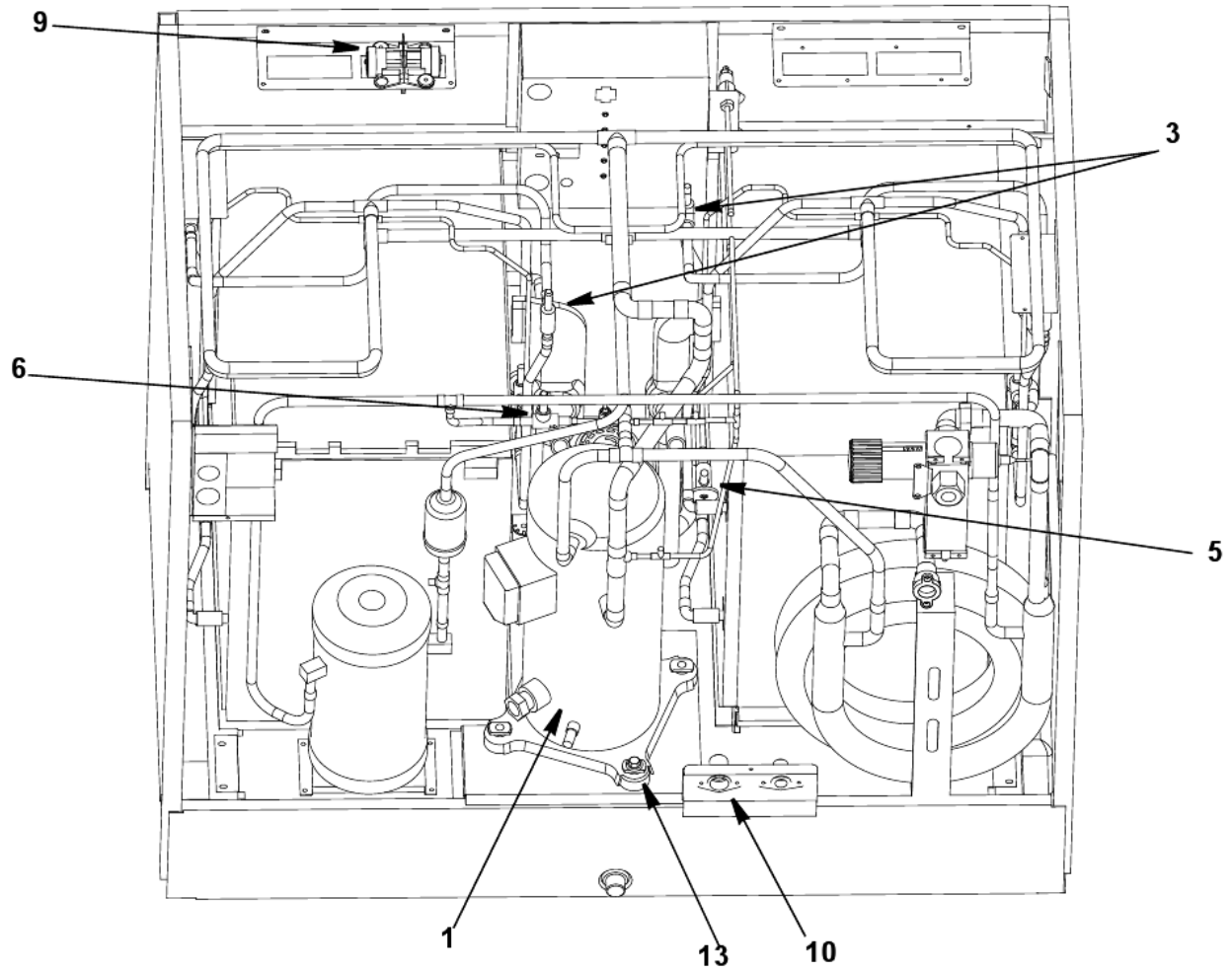
#	PART #	DESCRIPTION	QTY	Note
---	--------	-------------	-----	------

PART NOTES:

- [1] - to mount water level probe holder
- [2] - not shown
- [3] - holds ice thickness probe wire to bulkhead
- [4] - to Right Hand Distribution Tubes
- [5] - to Left Hand Distribution Tubes
- [6] - for barbed fitting
- [7] - vinyl tubes to distribution tubes
- [8] - through bulkhead
- [9] - Back of Distribution Assembly
- [10] - Water Distribution Tube Mounting
- [11] - Evaporators 1 & 3
- [12] - Evaporators 2 & 4
- [13] - Connects 1 & 2 and 3 & 4

S3300

S3300 REFRIGERATION COMPARTMENT - COMMON COMPONENTS



S3300

S3300 REFRIGERATION COMPARTMENT - COMMON COMPONENTS

#	PART #	DESCRIPTION	QTY	Note
1		Compressor		
1a	7600603	Compressor - Copeland - 208-230V/60 Hz/3 Ph		
2		Water Dump Valve		
2a	000001768	Water Dump Valve - 208-230V/50-60 Hz		
3		Harvest Valve		
3a	7630101	Solenoid Valve with Coil - 230V/50-60 Hz		
3b	000005157	Danfoss Solenoid Valve Coil Only - 230V/50-60 Hz		[1]
4	000002884	Water Inlet Valve - 208-230V/50-60 Hz		
5	000003158	Expansion Valve		
5a	4000403	Valve Insulation Boot - Body		
5b	4000923	Valve Insulation Boot - Bulb		
6	7630061	Solenoid Valve with Coil - 208-230V/50-60 Hz		
7	2001243	High Pressure Cut-out Control		
8	2002229	Low Pressure Cut-out Control		
9		Air Compressor		
9a	2009353	Air Assist Pump - 230V		
9b	4011733	Manifold Tee		[2]
9c	3001453	Air Assist Nozzle		
9d	000003106	Bracket		
10		Water Drain		
10a	8706093	Female Wing Adapter - 0.375"		
10b	4420383	Clear Tubing - 0.625" ID		
10c	5650709	Snap Clamp - 0.799"/0.899" ID		
11		Water Inlet Valve		
11a	4010439	Tubing - Water Inlet Valve		[3]
11b	1360989	Connector - Water Inlet Valve		
11c	000002064	Bracket - Water Inlet Valve		
11d	8706083	Female Wing Adapter - 0.50"		
11e	1360961	Male Connector		
12		Water Dump Valve		
12a	000003257	Mounting Bracket - Water Dump Valve		
12b	000003110	Tubing - Water Dump Valve		
13		Compressor Mounting		
13a	000003028	Base		
13b	000003086	Support Bracket		
13c	8504859	Rubber Grommet		
13d	8503949	Mounting - Sleeve		
13e	5004819	Compressor Mounting - Bolt		
13f	5004829	Compressor Mounting - Nut		
14	000003352	Heat Exchanger Mounting Bracket		
15	5650529	Clamp - Expansion Valve Bulb		
16	3000503	Strap - Expansion Valve Bulb - 0.5"		

S3300

S3300 REFRIGERATION COMPARTMENT - COMMON COMPONENTS

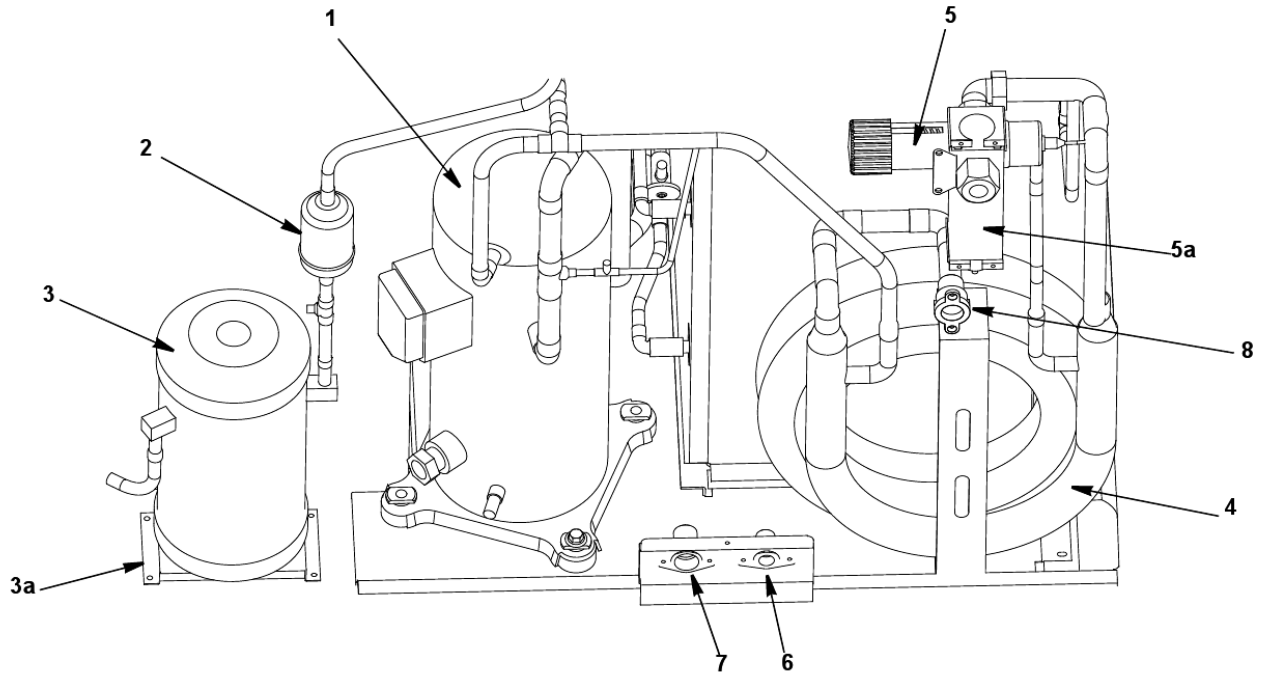
#	PART #	DESCRIPTION	QTY	Note
---	--------	-------------	-----	------

PART NOTES:

- [1] - \pages from 000005156_02.jpg" width=266 height=183>
- [2] - Air Pump Tubing Outlet
- [3] - \pages from 401043_05.jpg" width=1797 height=2238>

S3300

S3300 REFRIGERATION COMPARTMENT - WATER-COOLED COMPONENTS



S3300

S3300 REFRIGERATION COMPARTMENT - WATER-COOLED COMPONENTS

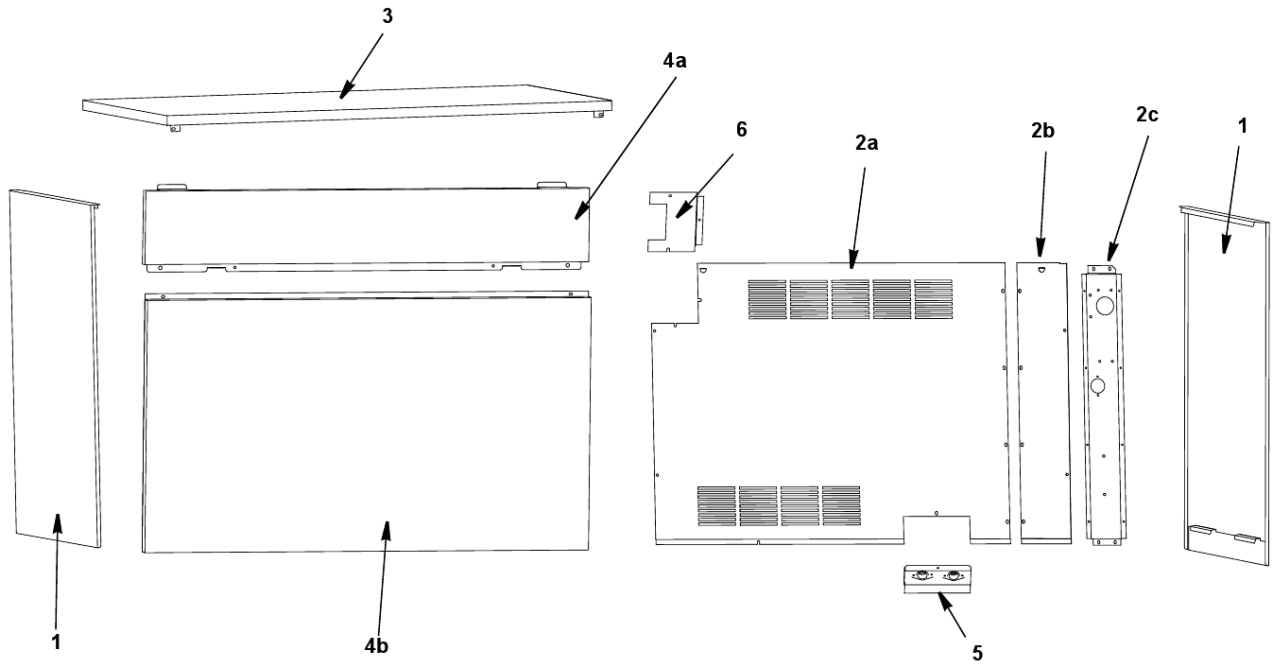
#	PART #	DESCRIPTION	QTY	Note
1	7600603	Compressor - Copeland - 208-230V/60 Hz/3 Ph		
2	000002883	Drier		[1]
3	000007424	Receiver		
3a	000003256	Bracket		
4	000002857	Water-Cooled Condenser		[2]
5		Water Regulating Valve		
5a	000003196	Water Regulating Valve Normal Pressure		[3]
5b	000002875	High Pressure Water Regulating Valve		[4]
5c	000003279	Mounting Bracket		
6	8706093	Female Wing Adapter - 0.375"		
7	8706033	Female Wing Adapter - 0.75"		
8	000003087	Drain Fitting		

PART NOTES:

- [1] - DML0845S
- [2] - with Mounting Bracket
- [3] - up to 275 psig
- [4] - up to 350 psig

S3300

S3300 PANELS



S3300

S3300 PANELS

#	PART #	DESCRIPTION	QTY	Note
1	000002811	Side Panels		
2		Back Panels		
2a	000003259	Large Left Panel		
2b	000003258	Small Right Panel		
2c	000003029	Water Condenser Support Panel		
3	000002814	Top Cover		
4		Front Panel		
4a	000002817	Front Panel - Upper		
4b	000002816	Front Panel - Lower		
5	000003255	Water In/Out Panel		
6		Electrical Connection		
6a	000003991	Electrical Connection Box		
6b	000003993	Electrical Connection Box Cover		
7	000010516	Cartoning		