



Manitowoc
Foodservice
Parts Manual

For more Parts Information:
<https://manitowocfsg.sysonline.com/Default.aspx>

TABLE OF CONTENTS

Manitowoc Foodservice [Updated: Sep. 30, 2013]

Manitowoc - Ice & Related

Parts Catalog

Ice Machine

S Series

S Model - Flake/Nugget

SN012, SN020

SN012 SN020 Control Box 1

SN012 SN020 Evaporator Assembly 3

SN012 SN020 Refrigeration Compartment - View 1 5

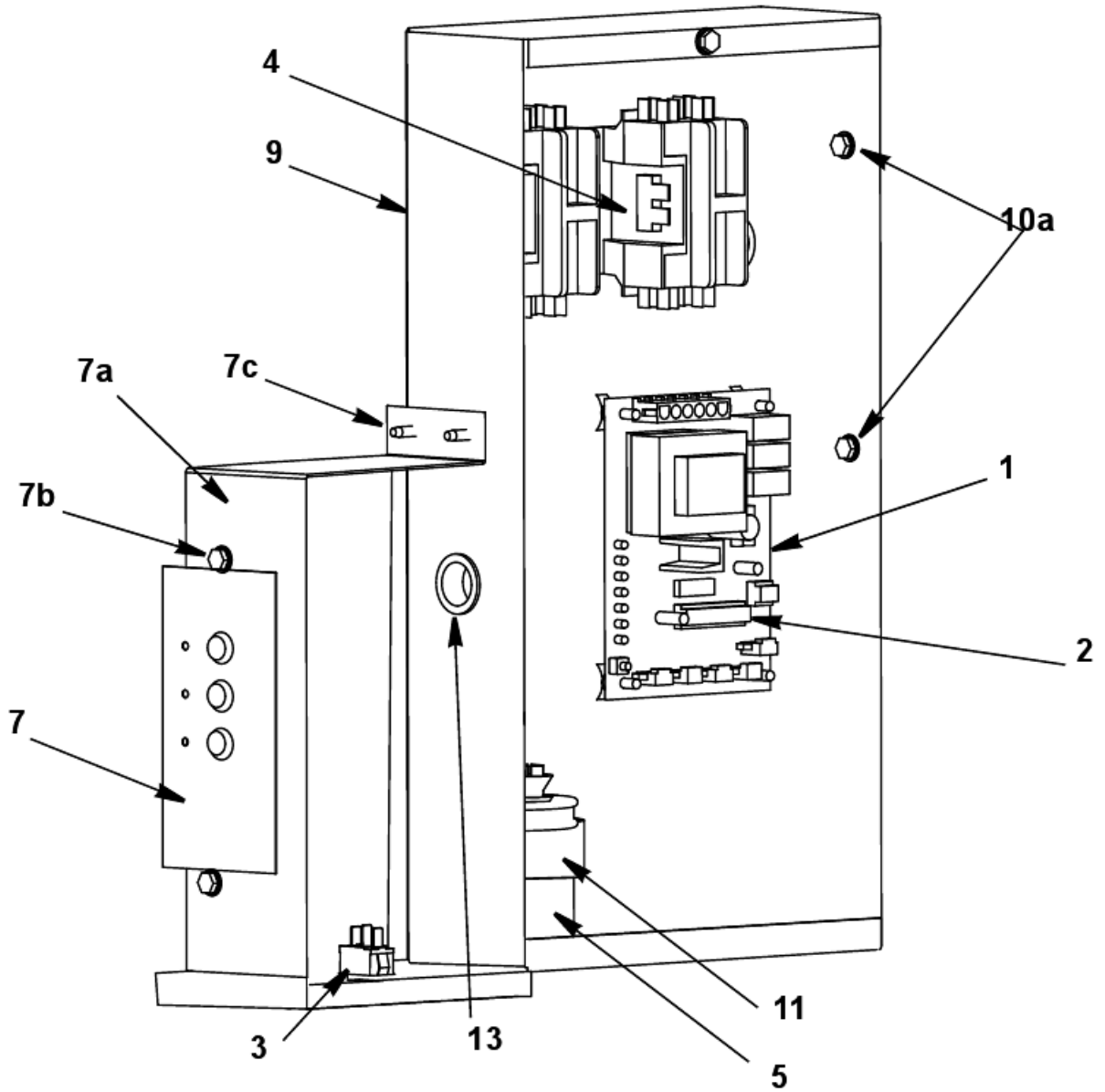
SN012 SN020 Refrigeration Compartment - View 2 8

SN012 SN020 Refrigeration Compartment - Air-cooled 11

SN012 SN020 Panels 13

SN012, SN020

SN012 SN020 CONTROL BOX



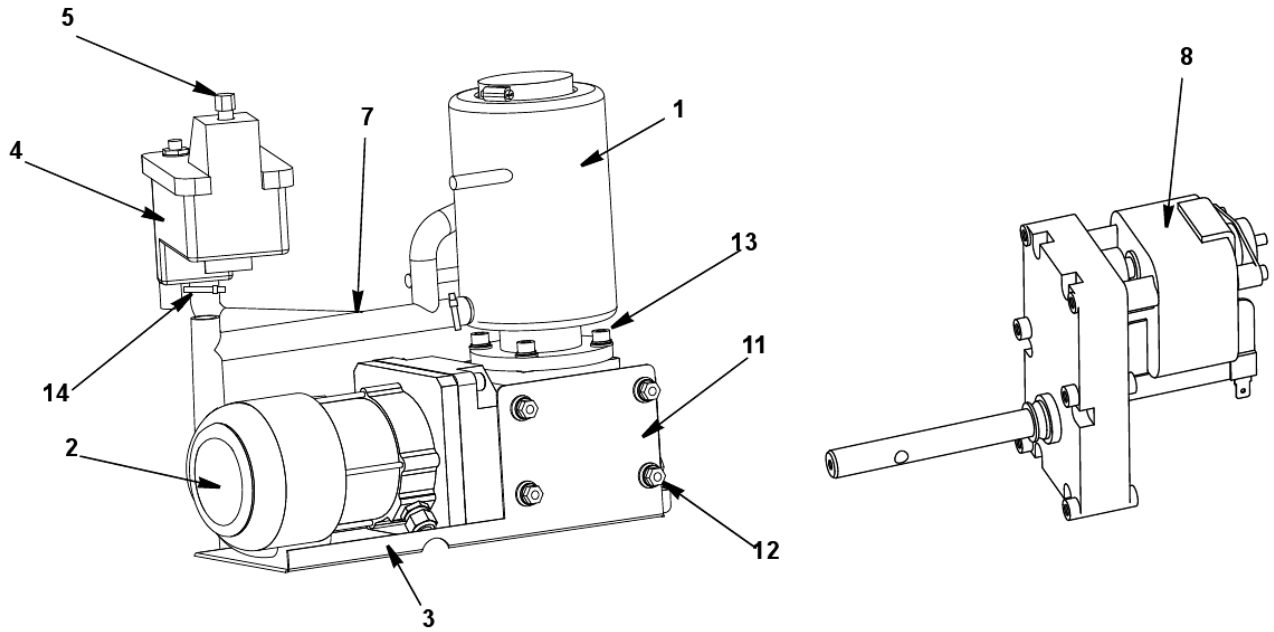
SN012, SN020

SN012 SN020 CONTROL BOX

| # | PART # | DESCRIPTION | QTY | Note |
|-----|-----------|---------------------------------------|-----|------|
| 1 | 000001238 | Control Board | | |
| 1a | 4302253 | Control Board Mounting Supports | | |
| 2 | 2511493 | 10 Amp Fuse | | |
| 3 | 2007939 | Toggle Switch | | |
| 3a | 2009873 | Toggle Switch Wiring Harness | | |
| 4 | | Contactor | | |
| 4a | 2006589 | Contactor - 115V/60 Hz/1 Ph | | |
| 4b | 2006599 | Contactor - 230V/50-60 Hz/1 Ph | | |
| 5 | | Run Capacitor (for gear motor) | | |
| 5a | 2010023 | Run Capacitor - 115V/60 Hz/1 Ph | | |
| 5b | 2010033 | Run Capacitor - 230V/50 Hz/1 Ph | | |
| 6 | 2009713 | Wiring Harness | | |
| 7 | 2009523 | Selector Switch | | |
| 7a | 6067221 | Bracket - Selector Switch | | |
| 7b | 5012319 | Screw - #12-16 x 0.75" | | |
| 7c | 5202069 | Screw - #10-24 x 0.50" HEX | | |
| 7d | 2009723 | Wiring Harness - Selector Switch | | |
| 8 | | Touch Less Dispensing | | |
| 8a | 000000308 | Control Board - 115V/60 Hz/1 Ph | | |
| 8b | 000000186 | Control Board - 230V/50 Hz/1 Ph | | |
| 8c | 000000187 | Control Board Support | | |
| 8d | 000008173 | Sensor Block Assembly | | |
| 8e | 000000185 | Bracket | | |
| 8f | 000000332 | Screw | | |
| 8g | 000000580 | Mylar Shield | | |
| 8h | 000000310 | Wiring Harness - Touchless Dispensing | | |
| 9 | 6065981 | Control Box | | |
| 10 | 000000734 | Control Box Cover | | |
| 10a | 5202069 | Screw - #10-24 x 0.50" HEX | | |
| 11 | 6024953 | Capacitor Mounting Strap | | |
| 12 | 5202109 | Screw - #10-24 x 0.375" | | |
| 13 | 2501409 | Bushing - 0.875" | | |
| 14 | 2500139 | Bushing - 1.5" | | |

SN012, SN020

SN012 SN020 EVAPORATOR ASSEMBLY



SN012, SN020

SN012 SN020 EVAPORATOR ASSEMBLY

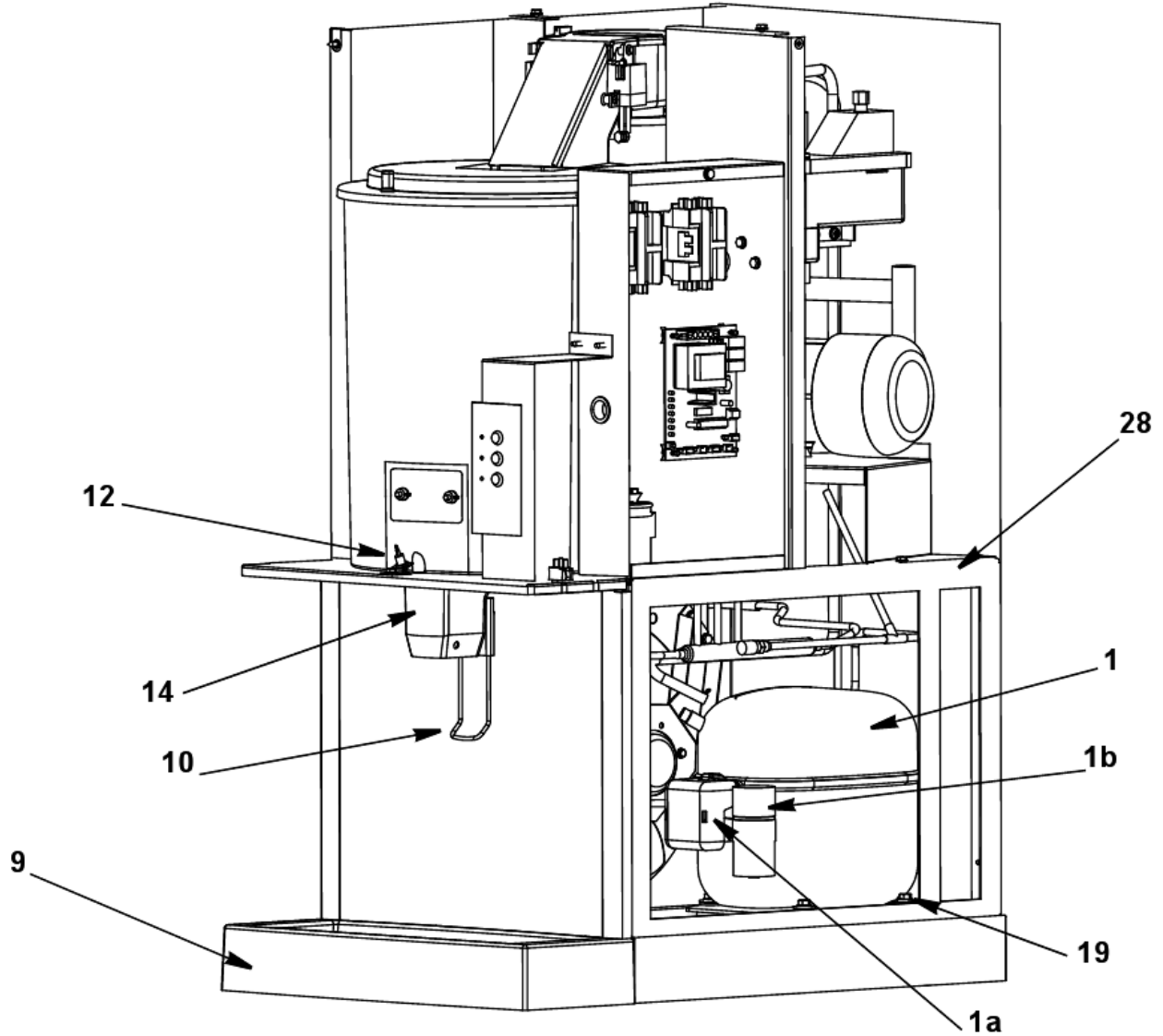
| # | PART # | DESCRIPTION | QTY | Note |
|-----|-----------|----------------------------------------|-----|------|
| 1 | | Evaporator Assembly | | |
| 1a | 3006193 | Entire Evaporator Assembly | | |
| 1b | 000004018 | Cutter Head/Upper Bearing Assembly | | |
| 2 | | Gear Box/Motor Assembly | | |
| 2a | 2008623 | Gearbox - 115V/60 Hz/1 Ph | | |
| 2b | 2008883 | Gearbox 230V/50 Hz/1 Ph | | |
| 3 | 4015413 | Drain Pan | | |
| 4 | 000006516 | Float Chamber Assembly | | [1] |
| 4a | 2008633 | Float Switch Only | | |
| 4b | 000006515 | Float Chamber Only | | |
| 5 | 5650729 | Compression Nut | | |
| 5a | 000001180 | Speed fit | | |
| 5b | 000000469 | Fitting | | |
| 6 | | Water Dispense Valve | | |
| 6a | 2009093 | Water Dispense Valve - 115V/60 Hz/1 Ph | | |
| 6b | 2009103 | Water Dispense Valve - 230V/50 Hz/1 Ph | | |
| 6c | 5002943 | Elbow 3/8 x 1/4 | | |
| 7 | 4014673 | Molded Vinyl Tube | | |
| 8 | | Dispenser Motor | | |
| 8a | 000002191 | Dispenser Motor - 115V/60 Hz/1 Ph | | |
| 8b | 000002192 | Dispenser Motor - 230V/60 Hz/1 Ph | | |
| 9 | | Dispenser Motor | | |
| 9a | 000007423 | Bracket | | |
| 9b | 5003383 | Screw | | |
| 9c | 5573209 | Star Washer | | |
| 10 | 6066101 | Float Valve Bracket | | |
| 10a | 5202069 | Screw - #10-24 x 0.50" HEX | | |
| 10b | 5650729 | Compression Nut | | |
| 11 | 000006717 | Gearmotor Bracket | | |
| 12 | | Evaporator Mounting to Bracket | | |
| 12a | 6069201 | Bracket | | |
| 12b | 5005423 | Bolt | | |
| 12c | 5573059 | Mounting - Flatwasher | | |
| 12d | 5573139 | Mounting - Lockwasher | | |
| 13 | | Evaporator Mounting to Gear Motor | | |
| 13a | 5005653 | Bolt | | |
| 13b | 5005663 | Flatwasher | | |
| 13c | 5005673 | Lockwasher | | |
| 13d | 5202069 | Screw - #10-24 x 0.50" HEX | | |
| 14 | 5650649 | Hose Clamp - 0.759"/0.848" ID | | |

PART NOTES:

[1] - includes float, switch, cover & housing

SN012, SN020

SN012 SN020 REFRIGERATION COMPARTMENT - VIEW 1



SN012, SN020

SN012 SN020 REFRIGERATION COMPARTMENT - VIEW 1

| # | PART # | DESCRIPTION | QTY | Note |
|-----|-----------|-----------------------------------------------|-----|------|
| 1 | 7601343 | Compressor - Danfoss - 115V/60 Hz/1 Ph | | |
| 1a | 8251033 | Start Relay - 115V/60 Hz/1 Ph | | |
| 1b | 8251023 | Start Capacitor - 115V/60 Hz/1 Ph | | |
| 1 | 7601353 | Compressor - Danfoss - 208-230V/50-60 Hz/1 Ph | | |
| 1a | 2002243 | Start Relay - 208-230V/50-60 Hz/1 Ph | | |
| 1b | 8504433 | Start Capacitor - 208-230V/50-60 Hz/1 Ph | | |
| 2 | | Water Dump Valve | | |
| 2a | 000007429 | Water Dump Valve 115V | | |
| 2b | 000007428 | Water Dump Valve 208-240V | | |
| 3 | 000000735 | Expansion Valve | | |
| 4 | 4000403 | Valve Insulation Boot - Body | | |
| 5 | 4000923 | Valve Insulation Boot - Bulb | | |
| 5a | 3000833 | Strap - Expansion Valve Bulb - 0.375" | | |
| 5b | 5650529 | Clamp - Expansion Valve Bulb | | |
| 6 | 2001243 | High Pressure Cut-out Control | | |
| 7 | 8310163 | Manifold Strainer | | |
| 8 | 8930259 | Drier | | |
| 9 | 4013423 | Drain Tray | | |
| 10 | 4014783 | Dispenser Arm | | |
| 11 | 6068631 | Lever Bracket | | |
| 12 | 6072981 | LED Bulb Holder | | [1] |
| 13 | 2009463 | Blue LED Light | | |
| 14 | 000002247 | Ice Dispense Chute | | |
| 15 | 2009453 | Momentary Switch | | |
| 16 | 000000083 | Mylar Shield | | [2] |
| 17 | 9000853 | Water Dispense Tubing - 21.5" | | |
| 18 | 8373253 | Access Valve | | |
| 19 | | Compressor Mounting | | |
| 19a | 5000899 | Compressor Rubber Grommet | | |
| 19b | 5000939 | Screw | | |
| 19c | 5000909 | Sleeve | | |
| 19d | 5000979 | Washer | | |
| 19e | 2512043 | Strain Relief Bushing | | |
| 20 | 8706093 | Female Wing Adapter - 0.375" | | |
| 20a | 5202069 | Screw - #10-24 x 0.50" HEX | | |
| 21 | 2009483 | Swivel Tee Male | | |
| 22 | 4420291 | Vinyl Tube - 0.25" OD | | |
| 23 | 6039081 | Water Inlet Tubing Insulation | | |
| 24 | 2500139 | Bushing - 1.5" | | |
| 25 | 2512043 | Strain Relief Bushing | | |
| 25a | 000000081 | Power Cord | | |
| 25b | 000000082 | Power Cord - 230V/50 Hz | | |

SN012, SN020

SN012 SN020 REFRIGERATION COMPARTMENT - VIEW 1

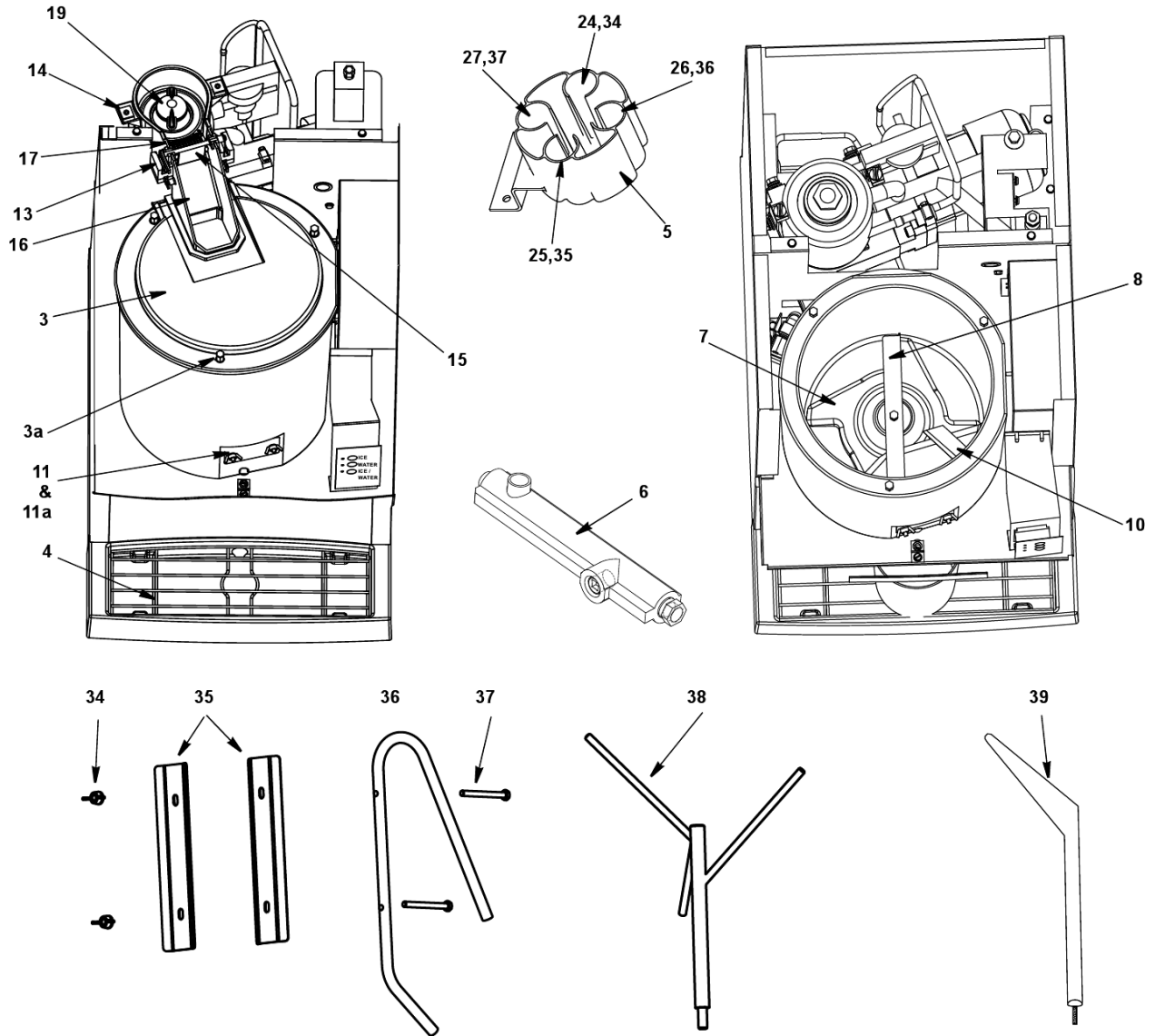
| # | PART # | DESCRIPTION | QTY | Note |
|-----|-----------|---------------------------|-----|------|
| 26 | 6066241 | Water Dump Valve Bracket | | |
| 26a | 5202329 | Screw - #10-24 x 0.25" PH | | |
| 27 | | Drain Tray | | |
| 27a | 4015853 | Vinyl Tube | | |
| 27b | 5650663 | Clamp - 1.218 x 1.405 | | |
| 28 | 000006716 | Support Bracket - RNS12 | | |

PART NOTES:

- [1] - when used
- [2] - between momentary switch and dispensing motor

SN012, SN020

SN012 SN020 REFRIGERATION COMPARTMENT - VIEW 2



SN012, SN020

SN012 SN020 REFRIGERATION COMPARTMENT - VIEW 2

| # | PART # | DESCRIPTION | QTY | Note |
|-----|-----------|-----------------------------------|-----|------|
| 1 | | Bin Liner | | |
| 1a | 4013313 | Bin Liner RNS012 | | |
| 1b | 4015023 | Bin Liner RNS020 | | |
| 2 | 5005623 | Bottom Adapter | | [1] |
| 3 | 4014453 | Cover | | |
| 3a | 5305123 | Thumbscrew SS - #8-32 x 0.44" | | |
| 4 | 3006573 | Grill/Wire Drain Tray Rack | | |
| 5 | 4015073 | Four into One Drain | | |
| 5a | 5202069 | Screw - #10-24 x 0.50" HEX | | |
| 6 | 6072021 | Interchangeable Drain Tube | | |
| 7 | 000002201 | Dispense Wheel | | |
| 7a | 5005523 | Thumbscrew | | |
| 8 | 000002203 | Agitator Bar | | |
| 8a | 000000325 | Washer | | |
| 8b | 000002243 | O-ring | | |
| 9 | 5005823 | Drive Pin | | |
| 10 | 4015533 | Ice Deflector | | |
| 11 | 6069031 | Support Plate | | |
| 11a | 5005503 | Wingnut | | |
| 12 | 2009793 | Hall Effect Switch with Wiring | | |
| 13 | 2009803 | Hall Effect Switch Housing | | |
| 13a | 5121629 | Screw | | |
| 14 | 5650853 | Receptacle | | |
| 14a | 5000453 | Wing-head Mounting Stud | | |
| 15 | 4014443 | Damper Door Nugget | | |
| 16 | 4013363 | Ice Chute | | |
| 17 | 4014883 | Strainer Ramp | | |
| 18 | 4013463 | Chute Cover - sits on receptacle | | [2] |
| 19 | 000002062 | Ice Wiper - Nugget | | |
| 20 | 5005523 | Thumbscrew | | [3] |
| 21 | | Dispenser Motor | | |
| 21a | 000002191 | Dispenser Motor - 115V/60 Hz/1 Ph | | |
| 21b | 000002192 | Dispenser Motor - 230V/60 Hz/1 Ph | | |
| 21c | 000002245 | Thumbscrew | | [4] |
| 21d | 000000325 | Washer | | [4] |
| 22 | | Secure Ice Chute to Evaporator | | |
| 22a | 000000464 | Clamp Assembly | | |
| 22b | 000005183 | Clamp Seal | | |
| 23 | | Secure Dispenser Motor to Bin | | |
| 23a | 5573209 | Star Washer | | |
| 23b | 5202069 | Screw - #10-24 x 0.50" HEX | | |
| | | SN012 Tubing | | [5] |

SN012, SN020

SN012 SN020 REFRIGERATION COMPARTMENT - VIEW 2

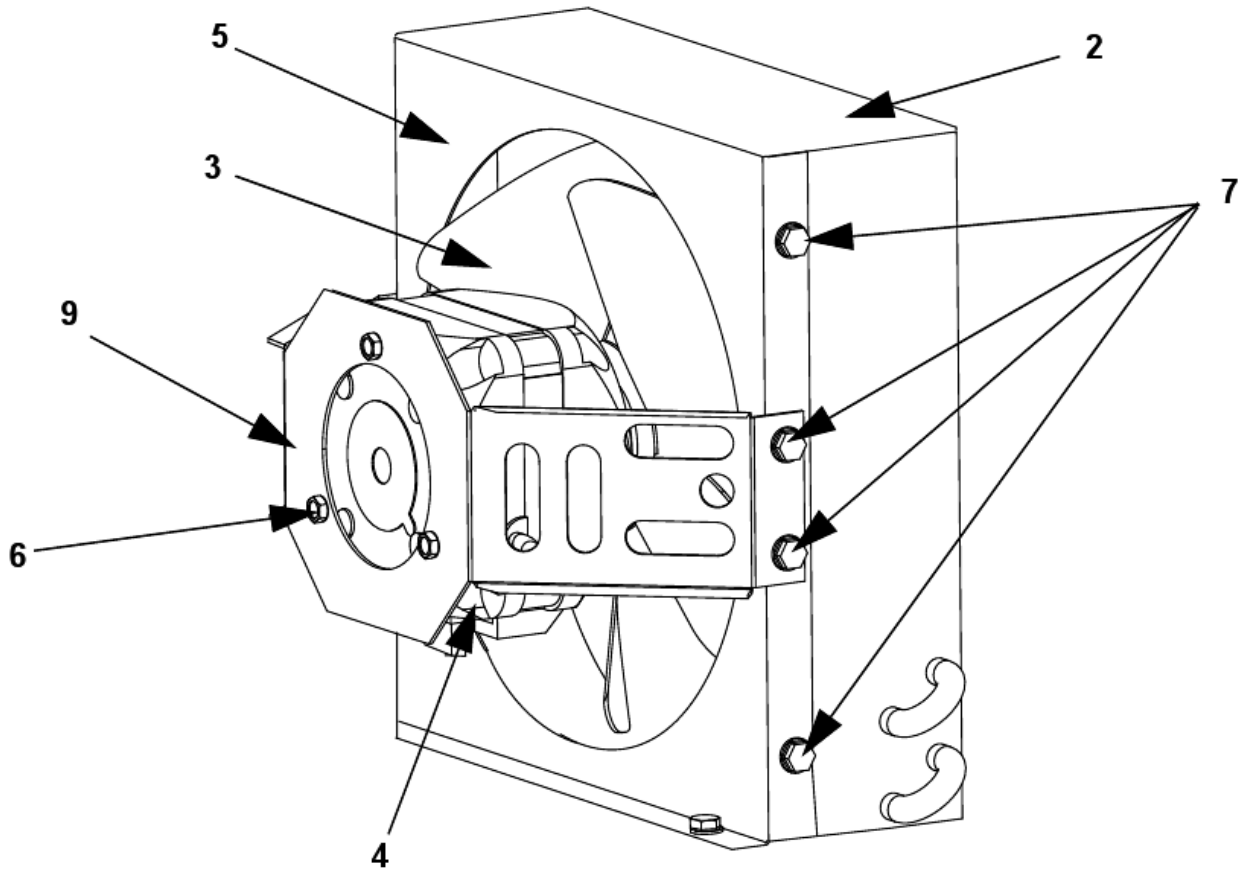
| # | PART # | DESCRIPTION | QTY | Note |
|-----|-----------|---------------------------------------------------|-----|------|
| 24 | 4420383 | Clear Tubing - 0.625" ID | | |
| 25 | 4420383 | Clear Tubing - 0.625" ID | | |
| 26 | 4015763 | Float Overflow | | |
| 27 | 4420383 | Clear Tubing - 0.625" ID | | |
| 28 | 5650609 | Snap Clamp - 1.0" ID SN020 Tubing | | [5] |
| 29 | 4420383 | Clear Tubing - 0.625" ID | | |
| 30 | 4420383 | Clear Tubing - 0.625" ID | | |
| 31 | 4015943 | Float Overflow | | |
| 32 | 4420383 | Clear Tubing - 0.625" ID | | |
| 33 | 5650609 | Snap Clamp - 1.0" ID SN020 Model Only | | |
| 34 | 5005503 | Wingnut | | |
| 35 | 000002198 | Ice Breaker Mounting Bracket | | [6] |
| 36 | 000002197 | Ice Breaker | | |
| 37 | 000002244 | Mounting Bolts | | |
| 38 | 000002196 | Upright Agitator Bar | | |
| 39 | | Upright Agitator Bar - Obsolete - Replaced by Kit | | |
| 39a | 000002776 | Upright Agitator Bar 115V/60 Hz/1 Ph | | |
| 39b | 000002777 | Upright Agitator Bar 230V/60 Hz/1 Ph | | |

PART NOTES:

- [1] - 1/2 N.P.T x 1/2 Barbed
- [2] - clear plastic
- [3] - SN012 Only
- [4] - Required when 8-32 thread motor is replaced with 1/4" thread motor
- [5] - four in one drain
- [6] - 1 piece

SN012, SN020

SN012 SN020 REFRIGERATION COMPARTMENT - AIR-COOLED



SN012, SN020

SN012 SN020 REFRIGERATION COMPARTMENT - AIR-COOLED

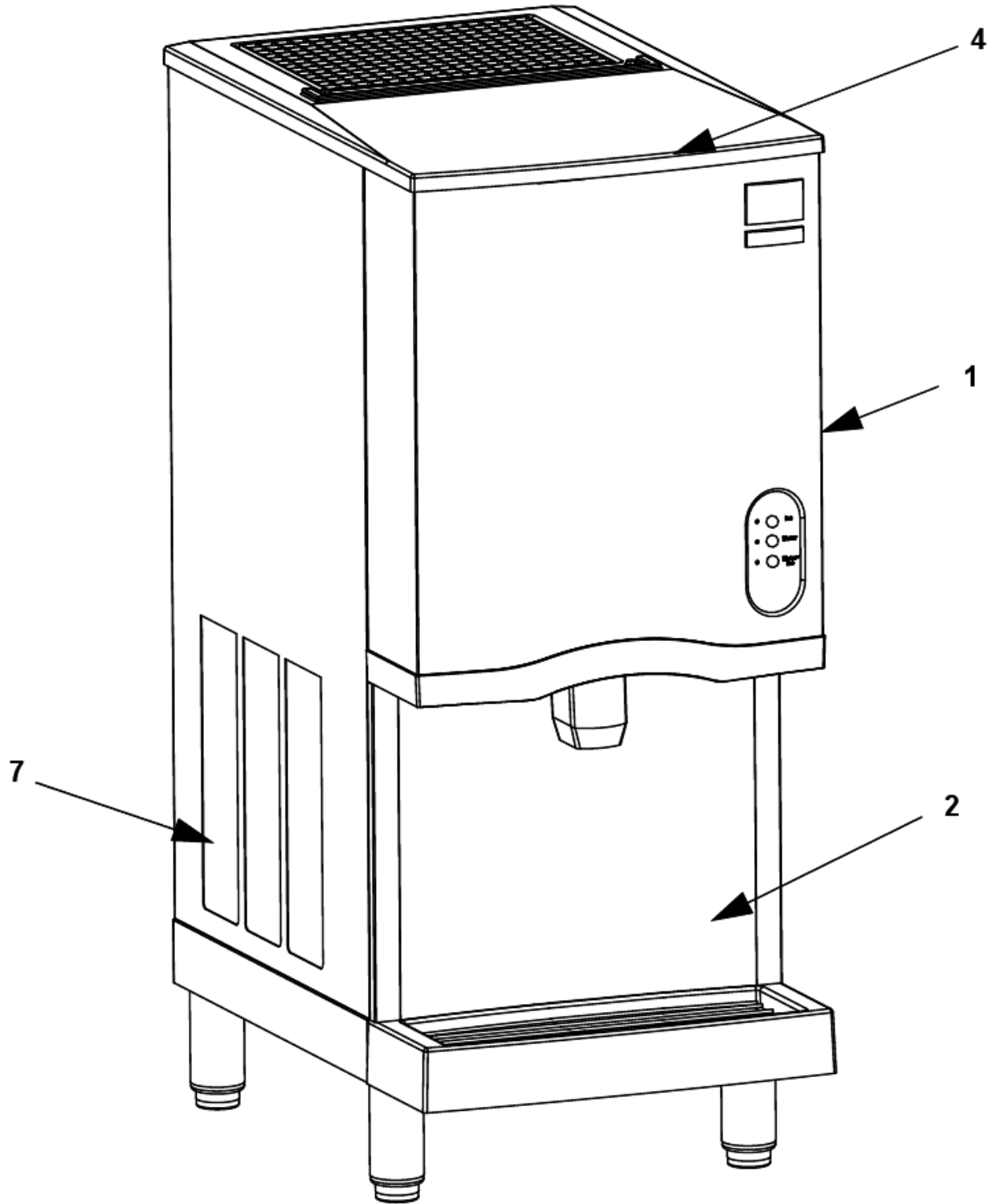
| # | PART # | DESCRIPTION | QTY | Note |
|----|-----------|-------------------------------|-----|------|
| 1 | | Compressor | | [1] |
| 2 | 8252859 | Air Condenser | | |
| 3 | 2416223 | Fan Blade | | |
| 4 | | Fan Motor | | |
| 4a | 000006656 | Fan Motor - 115V/60 Hz/1 Ph | | |
| 4b | 2412823 | Fan Motor - 208-230V/50-60 Hz | | |
| 5 | 6065801 | Fan Shroud | | |
| 6 | 5005513 | Screw 0.7 x 8 mm | | |
| 7 | 5202069 | Screw - #10-24 x 0.50" HEX | | |
| 8 | 5475079 | Speed Nut - 0.25" x 20 | | [2] |
| 9 | 000000409 | Fan Motor Bracket | | |

PART NOTES:

- [1] - Refer to COMMON PARTS PAGE
- [2] - Fan Blade Mounting

SN012, SN020

SN012 SN020 PANELS



SN012, SN020

SN012 SN020 PANELS

| # | PART # | DESCRIPTION | QTY | Note |
|-----|-----------|--------------------------------------------------------|-----|------|
| 1 | | Front Panel Assembly | | |
| 1a | 6068241 | SN12 Front Panel Assembly | | |
| 1b | 6070801 | SN20 Front Panel Assembly | | |
| 2 | 6068481 | Lever Activated Lower Front Panel | | |
| 2a | | Touchless Lower Front Panel | | |
| 2b | 000000645 | Front Panel Label | | |
| 2c | 000000338 | Touchless - Lower Front Panel Assembly 115V/60 Hz/1 Ph | | |
| 2d | 000000383 | Touchless - Lower Front Panel Assembly 230V/60 Hz/1 Ph | | |
| 3 | 8251713 | Air Filter | | |
| 4 | 4014463 | Top Cover | | |
| 5 | | Back Panel | | |
| 5a | 6068151 | SN12 Back Panel | | |
| 5b | 6071361 | SN20 Back Panel | | |
| 6 | | Right Side Panel - Non-Louvered | | |
| 6a | 6070201 | SN12 Right Side Panel - Non-Louvered | | |
| 6b | 6070821 | SN20 Right Side Panel - Non-Louvered | | |
| 7 | | Left Side Panel - Louvered | | |
| 7a | 6070191 | SN12 Left Side Panel - Louvered | | |
| 7b | 6071291 | SN20 Left Side Panel - Louvered | | |
| 8 | 5202069 | Screw - #10-24 x 0.50" HEX | | [1] |
| 9 | 000000458 | Top Cover Thumbscrew | | |
| 10 | 5005573 | Side Panel Screws | | |
| 11 | 000000741 | Side Panel Nuts | | |
| 12 | 5012349 | Inside Screws | | |
| 13 | 5202099 | Screw - #10-24 x 0.50" PHIL | | |
| 14 | 4014703 | Front Panel Top End Cap | | |
| 14a | 5012349 | Screws | | |
| 15 | 000002781 | Cartoning | | |

PART NOTES:

[1] - mounts back panel