



## ***SN12, SN20 Model Nugget Ice Machines***

### **Installation, Use & Care Manual**

This manual is updated as new information and models are released.

Visit our website for the latest manual. [www.manitowocice.com](http://www.manitowocice.com)

**This manual contains English and French text**

***America's #1 Selling Ice Machine***

Part Number 000007463 11/11

# Table of Contents

---

## Section 1

### General Information

<b>Model Numbers</b> .....	4
<b>Accessories</b> .....	4
Manitowoc Cleaner and Sanitizer .....	4
Legs .....	4
Touchless Sensing Option .....	4

## Section 2

### Installation Instructions

<b>Location of Ice Machine</b> .....	5
<b>Ice Machine Clearance Requirements</b> .....	5
<b>Electrical Service</b> .....	6
Voltage .....	6
Fuse/Circuit Breaker .....	6
Total Circuit Ampacity .....	6
<b>Electrical Requirements</b> .....	6
<b>Water Supply and Drains</b> .....	6
Potable Water Supply .....	6
Potable Water Inlet Lines .....	6
Drain Connections .....	6
Water Supply and Drain Line Sizing/Connections .....	7
<b>Before Starting the Ice Machine</b> .....	8
Installation Checklist .....	8

## Section 3

### Operation

<b>Sequence of Operation</b> .....	9
15 Minute Time Delay .....	9
Prior to Start-up .....	9
Initial Start-up .....	9
Freeze Cycle .....	9
Automatic Shut-off .....	9
Restart After Automatic Shut-off .....	9
<b>Operational Checks</b> .....	10
General .....	10
Operation .....	10

**Table of Contents** (continued)

---

**Section 4  
Maintenance**

<b>Cleaning and Sanitizing</b> .....	<b>11</b>
General .....	<b>11</b>
Exterior Cleaning .....	<b>11</b>
Procedures .....	<b>11</b>
Preventative Maintenance Cleaning Procedure .....	<b>12</b>
Procedure to Clean Heavily Scaled Flake/Nugget Ice Machines .....	<b>13</b>
Cleaning Procedure .....	<b>13</b>
Sanitizing Procedure .....	<b>14</b>
<b>Component Disassembly for Cleaning/Sanitizing</b> .....	<b>15</b>
<b>Cleaning the Condenser</b> .....	<b>18</b>
<b>Removal from Service/Winterization</b> .....	<b>19</b>
General .....	<b>19</b>

**Section 5  
Customer Support**

<b>Checklist</b> .....	<b>20</b>
<b>Flake/Chiplet/Nugget Commercial Ice Machine Warranty</b> .....	<b>21</b>
<b>Residential Ice Machine Limited Warranty</b> .....	<b>22</b>

# Section 1

## General Information

---

### Model Numbers

This manual covers the following models:

Lever Activated	Touchless Sensor Activated
SN012A Self Contained Air-Cooled Nugget Ice Machine	SN012AT Self Contained Air-Cooled Nugget Ice Machine
SN020A Self Contained Air-Cooled Nugget Ice Machine	SN020AT Self Contained Air-Cooled Nugget Ice Machine

 **Warning**

Do not operate equipment that has been misused, abused, neglected, damaged, or altered/modified from that of original manufactured specifications.

This appliance is not intended for use by persons (including children) with reduced physical, sensory or mental capabilities, or lack of experience and knowledge, unless they have been given supervision concerning use of the appliance by a person responsible for their safety.

### Accessories

#### MANITOWOC CLEANER AND SANITIZER

Manitowoc Ice Machine Cleaner and Sanitizer are available in convenient 16 oz. (473 ml) and 1 gal (3.78 l) bottles. These are the only cleaner and sanitizer approved for use with Manitowoc products.

Cleaner Part Number		Sanitizer Part Number	
16 oz.	000000084	16 oz.	94-0565-3
		1 Gallon	94-0581-3

#### LEGS

Optional four inch adjustable legs are available.

#### TOUCHLESS SENSING OPTION

Touchless sensing can be ordered installed on the ice machine from the factory or a field conversion kit is available. The field conversion kit includes a replacement front panel and instructions for installation.

## Section 2

# Installation Instructions

These instructions are provided to assist the qualified installer. Check your local Yellow Pages for the name of the nearest Manitowoc distributor, or call Manitowoc Foodservice for information regarding start-up services.

### Important

Failure to follow these installation guidelines may affect warranty coverage.

### Location of Ice Machine

The location selected for the ice machine must meet the following criteria. If any of these criteria are not met, select another location.

- The location must be free of airborne and other contaminants.
- The air temperature must be at least 45°F (7°C), but must not exceed 110°F (43°C).
- The water temperature must be at least 45°F (7°C), but must not exceed 90°F (32°C).
- The location must not be near heat-generating equipment or in direct sunlight.
- The location must be capable of supporting the weight of the ice machine and a full bin of ice and allow the ice machine to be level front to back and side to side.
- The location must allow enough clearance for water and electrical connections in the **rear of the ice machine**. The drain can be routed out the rear or bottom of dispenser.
- The location must not obstruct airflow through or around the ice machine. Airflow is in the left side and out the top. Refer to chart for clearance requirements.

### Ice Machine Clearance Requirements

	SN12	SN20
Top	24" (61 cm)	24" (61 cm)
Sides	8" (20 cm)	8" (20 cm)
Back*	5" (13 cm)	5" (13 cm)

\* - 5" (13 cm) is recommended for servicing the ice machine. Clearance can be 0" when water and drain connections exit the bottom of the ice machine.

### Caution

The ice machine head section must be protected if it will be subjected to temperatures below 32°F (0°C). Failure caused by exposure to freezing temperatures is not covered by the warranty. See "Removal from Service/Winterization".

**Electrical Service**

**Warning**

All wiring must conform to local, state and national codes.

**VOLTAGE**

The maximum allowable voltage variation is  $\pm 10\%$  of the rated voltage on the ice machine model/serial number plate at start-up (when the electrical load is highest).

**FUSE/CIRCUIT BREAKER**

A separate fuse/circuit breaker must be provided for each ice machine. Circuit breakers must be H.A.C.R. rated (does not apply in Canada).

**115/60/1 ice machines** are factory pre-wired with a power cord and 5-15P plug.

**230/50/1 ice machines** are factory pre-wired with a power cord, no plug is supplied.

**Warning**

The ice machine must be grounded in accordance with national and local electrical codes.

**TOTAL CIRCUIT AMPACITY**

The total circuit ampacity is used to help select the wire size of the electrical supply.

The wire size (or gauge) is also dependent upon location, materials used, length of run, etc., so it must be determined by a qualified electrician.

**Electrical Requirements**

Ice Machine	Voltage Phase Cycle	Air-Cooled	
		Maximum Fuse/Circuit Breaker	Total Circuit Amps
SN12	115/1/60	15	10.3
	230/1/50	15	4.6
SN20	115/1/60	15	10.3
	230/1/50	15	6.0

**Water Supply and Drains**

**POTABLE WATER SUPPLY**

Local water conditions may require treatment of the water to inhibit scale formation, filter sediment, and remove chlorine odor and taste.

**Important**

If you are installing a Manitowoc water filter system, refer to the Installation Instructions supplied with the filter system for ice making water inlet connections.

**POTABLE WATER INLET LINES**

Follow these guidelines to install water inlet lines:

- Do not connect the ice machine to a hot water supply. Be sure all hot water restrictors installed for other equipment are working. (Check valves on sink faucets, dishwashers, etc.)
- If water pressure exceeds the maximum (80 psig/ 551.5 kPA) recommended pressure, obtain a water pressure regulator from your Manitowoc distributor.
- Install a water shut-off valve and union for the ice making water lines.
- Insulate water inlet lines to prevent condensation.

**DRAIN CONNECTIONS**

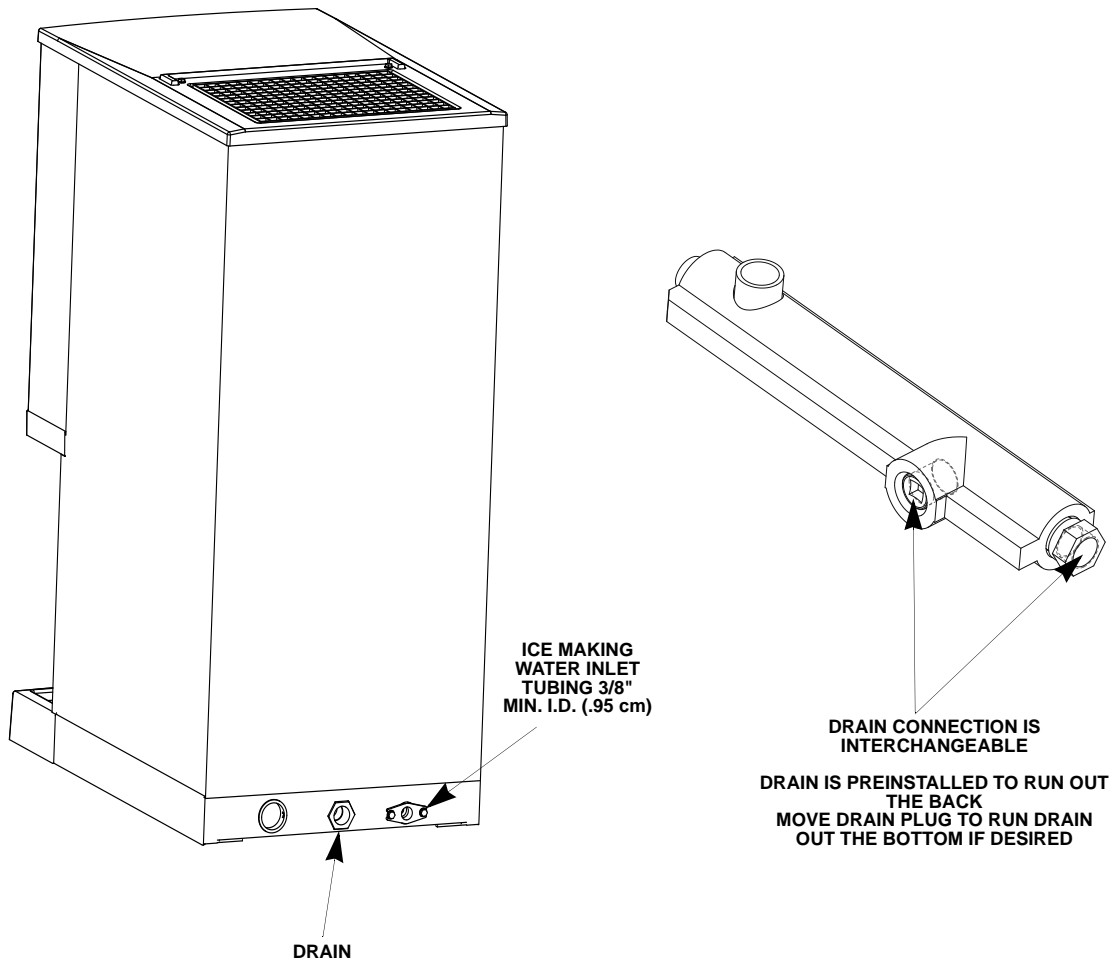
Follow these guidelines when installing drain lines:

- Drain lines must have a 1.5 inch drop per 5 feet of run (2.5 cm per meter), and must not create traps.
- The floor drain must be large enough to accommodate drainage from all drains.
- Insulate drain lines to prevent condensation.
- Drains must have a union or other suitable means to allow in place disconnection from the ice machine when servicing is required.

**WATER SUPPLY AND DRAIN LINE SIZING/CONNECTIONS**

**⚠ Caution**  
Plumbing must conform to state and local codes.

Location	Water Temperature	Water Pressure	Ice Machine Fitting	Tubing Size Up to Ice Machine Fitting
<b>Ice Making Water Inlet</b>	45°F (6°C) Min. 90°F (32°C) Max.	20 psi (137.9 kPA) Min. 80 psi (551.5 kPA) Max.	3/8" Female Pipe Thread	3/8" (10 mm) minimum inside diameter
<b>Ice Machine Drain</b>	---	---	3/4" Female Pipe Thread	3/4" (19 mm) minimum inside diameter



**Typical Water Supply Drain Installation**


**Before Starting the Ice Machine**

**INSTALLATION CHECKLIST**

X	Checklist Item
	Is the Ice Machine level?
	Has all of the internal packing been removed?
	Have all of the electrical and water connections been made?
	Has the supply voltage been tested and checked against the rating on the nameplate?
	Is there proper clearance around the ice machine for air circulation?
	Has the ice machine been installed where ambient temperatures will remain in the range of 45° - 110°F (7° - 43°C)?
	Has the ice machine been installed where the incoming water temperature will remain in the range of 45° - 90°F (7° - 32°C)?
	Are all electrical leads free from contact with refrigeration lines and moving equipment?
	Has the owner/operator been instructed regarding maintenance and the use of Manitowoc Cleaner and Sanitizer?
	Has the warranty registration card been sent to the factory?
	Has the ice machine and dispenser been sanitized?
	Has this manual been given to the owner/operator?
	Is the water reservoir approximately 2/3 full of water?
	Has the toggle switch been placed in the ICE position? (Switch is located behind front cover)

All Manitowoc ice machines are factory-operated and adjusted before shipment. Normally, new installations do not require any adjustment. To ensure proper operation, follow the Operational Checks in Section 3 of this manual.

Adjustments and maintenance procedures outlined in this manual are not covered by the warranty.

 <p><b>Warning</b></p> <p><b>Potential Personal Injury Situation</b></p> <p>Do not operate equipment that has been misused, abused, neglected, damaged, or altered/modified from that of original manufactured specifications.</p>
---



# Section 3

## Operation

---

### Sequence of Operation

#### 15 MINUTE TIME DELAY

The 15 minute delay must be expired before the gearmotor or compressor will energize.

The delay period starts to time out upon application of power or movement of the toggle switch from OFF to ICE.

The delay period starts when:

- The ice machine enters Automatic Shutoff
- Power is disconnected and reconnected
- The toggle switch is moved from OFF to ICE

This time delay period can not be overridden and will reset to 15 minutes if any of the above conditions occur.

#### PRIOR TO START-UP

When the toggle switch is placed in the ICE position the following must occur in the listed order before ice making will start.

- The ice chute damper must be in the closed or down position.
- The 15 minute delay period must be expired. The delay period starts upon application of power or toggle switch movement from OFF to ICE.
- The water sensing switch must be closed (water reservoir full of water and water sensing float in the up position).

#### INITIAL START-UP

Applying power and/or moving the toggle switch from OFF to ICE will start a 15 minute delay period. This delay period can not be overridden. With the water sensing switch closed (reservoir full of water) the gear motor will energize at the end of the 15 minute time delay. The compressor and condenser fan motor energize 5 seconds after the gearmotor.

#### FREEZE CYCLE

The float valve automatically maintains the water level in the reservoir. The ice damper will open and close to verify ice production. The ice machine will continue to make ice until the ice damper is held open (up) as ice fills the bin.

#### AUTOMATIC SHUT-OFF

When the ice damper is held open by ice, the gearmotor, compressor and condenser fan de-energize. The fifteen minute delay period starts to time out. The ice machine will remain off until the 15 minute delay period expires and the ice damper closes.

#### RESTART AFTER AUTOMATIC SHUT-OFF

##### 1. Less than 4 hours have passed since automatic shut-off.

With the water sensing switch closed (reservoir full of water) the gear motor will energize at the end of the 15 minute time delay. The compressor and condenser fan motor energize 5 seconds after the gearmotor.

##### 2. More than 4 hours have passed since automatic shut-off.

The dump valve energizes to drain the evaporator. After 30 seconds the dump valve de-energizes. When the reservoir fills with water, the water sensing switch closes and the gearmotor energizes. The compressor and condenser fan motor energize 5 seconds after the gearmotor.

## Operational Checks

### GENERAL

Manitowoc ice machines are factory-operated and adjusted before shipment. Normally, a newly installed ice machine does not require any adjustment.

To ensure proper operation, always follow the Operational Checks:

- when starting the ice machine for the first time
- after a prolonged out of service period
- after cleaning and sanitizing

NOTE: Routine adjustments and maintenance procedures outlined in this manual are not covered by the warranty.

### Blue Light

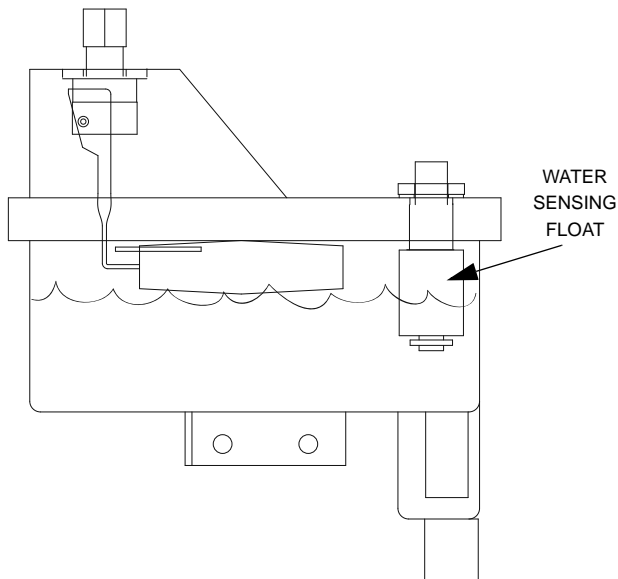
The blue light on the dispensing spout is energized when the toggle switch is in the ICE position and the ice machine is operational. If the light is not energized the ice machine will not make ice. Refer to section 5 Customer Support if the ice machine has power and the light will not energize.

### Toggle Switch

The toggle switch must be placed in the ON position to make ice.

### Water Reservoir

The water reservoir must be 2/3 full of water and the water sensing float must be up (switch closed) before the ice machine will start.



### Ice Production

Allow the ice machine to produce ice for 15 minutes before testing the dispense mechanism. This will insure a sufficient quantity of ice in the bin for dispensing.

### OPERATION

#### 1. Set Selector Switch

Depress the button adjacent to the text.

- Select ICE for ice dispense only
- Select ICE/WATER for water and ice
- Select WATER for water only

#### 2. Dispense

##### Lever Activated

Use glass or container to press dispenser arm backward. Release the arm and the ice machine will stop dispensing.

##### Touchless Center Activated

Place a glass or container underneath the dispensing spout within 1" (2.5 cm) of the sensor. The ice machine will automatically dispense. Remove the glass or container to stop dispensing.

# Section 4

## Maintenance

---

### Cleaning and Sanitizing

#### GENERAL

You are responsible for maintaining the ice machine in accordance with the instructions in this manual. Maintenance procedures are not covered by the warranty.

Clean and sanitize the ice machine every six months for efficient operation. If the ice machine requires more frequent cleaning and sanitizing, consult a qualified service company to test the water quality and recommend appropriate water treatment. If required, an extremely dirty ice machine may be taken apart for cleaning and sanitizing.

#### **Caution**

Use only Manitowoc approved Ice Machine Cleaner (part number 000000084) and Sanitizer (part number 94-0565-3). Do not mix Cleaner and Sanitizer solutions together. It is a violation of Federal law to use these solutions in a manner inconsistent with their labeling. Read and understand all labels printed on bottles before use.

#### **Warning**

Wear rubber gloves and safety goggles (and/or face shield) when handling Ice Machine Cleaner or Sanitizer.

#### EXTERIOR CLEANING

Weekly: remove grill from scrap ice tray and wipe splash panel, scrap ice tray and grill with sanitizer & water solution (refer to Page 14). Pour excess solution in scrap ice tray to clear drain.

#### TOUCHLESS SENSOR ONLY

Wipe sensor window with a soft cloth and mild detergent. Rinse with clear water and dry with a clean soft cloth.

#### PROCEDURES

This Manitowoc Ice Machine has three separate cleaning procedures.

#### **Preventative Maintenance Cleaning Procedure**

Perform this procedure as required for your water conditions. Recommended monthly.

- Allows cleaning the ice machine without removing all of the ice from the bin
- Removes mineral deposits from areas or surfaces that are in direct contact with water during the freeze cycle (reservoir, evaporator, auger, drain lines)

#### **Cleaning/Sanitizing Procedure**

This procedure must be performed a minimum of once every six months.

- All ice must be removed from the bin
- The ice machine and bin must be disassembled cleaned and sanitized
- The ice machine produces ice with the cleaner and sanitizer solutions
- All ice produced during the cleaning and sanitizing procedures must be discarded

#### **Heavily Scaled Cleaning Procedure**

Perform this procedure if you have some or all of these symptoms.

- Grinding, popping or squealing noises from the evaporator
- Grinding noise from gearbox
- Ice machine stops on Safety Shutdown
- Your water has a high concentration of minerals
- The ice machine has not been on a regular maintenance schedule.

Run a cleaning procedure as described above after this procedure is complete.

NOTE: A Sanitizing Procedure must be performed after all cleaning procedures have been completed.

**PREVENTATIVE MAINTENANCE CLEANING PROCEDURE**

Ice machine cleaner is used to remove lime scale or other mineral deposits. It is not used to remove algae or slime. Refer to “Sanitizing Procedure” for removal of algae and slime. To initiate a cleaning cycle using Manitowoc’s Cleaning Technology use the following procedure.

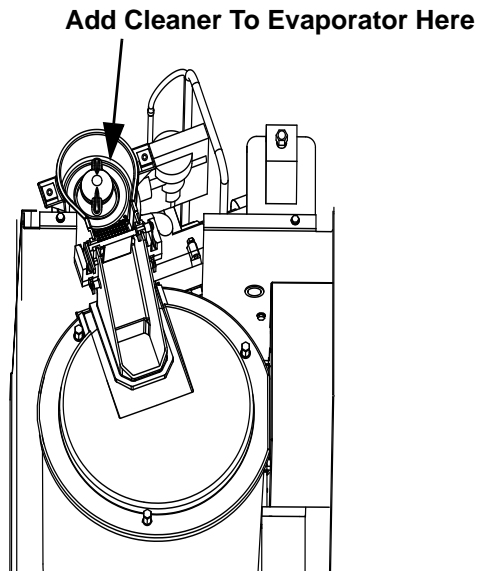
**Step 1** To start a cleaning cycle, move the toggle switch to the CLEAN position. Water will flow through the water dump valve and down the drain.

**Step 2** Remove the top panel and translucent plastic ice chute cover. Wait about one minute then add the proper amount of Manitowoc Ice Machine Cleaner. Rinse the cleaner from the top of the evaporator with 2 ounces (60 ml) of clear water and re-install cover.

Model	Amount of Cleaner
SN12 SN20	2 ounce (60 ml)

**⚠ Caution**

Use only Manitowoc approved Ice Machine Cleaner. It is a violation of Federal law to use these solutions in a manner inconsistent with their labeling. Read and understand all labels printed on bottles before use.



**Step 3** The ice machine will run a wash cycle, a series of rinse cycles and then stop. This entire cycle lasts approximately 30 minutes.

**NOTE:** Periodic cleaning must be performed on adjacent surface areas not contacted by the water distribution system.

**NOTE:** The ice machine may be set to start and finish a cleaning procedure, and then automatically start ice making again.

- A. After cleaner is added move the switch from CLEAN to ICE position.
- B. When the cleaning cycle is complete ice making will start automatically.

**Changing toggle switch position during clean cycle:**

1. Less than 60 seconds into Clean cycle - The Clean cycle will end when the toggle switch is moved to the OFF position.
  2. More than 60 seconds into Clean cycle - The ice machine will complete the Clean cycle. Toggle switch position will determine the next cycle after the Clean cycle is completed.
- CLEAN POSITION - The ice machine will wait for a change in toggle switch position.
  - OFF POSITION - The ice machine will wait for a change in toggle switch position.
  - ICE POSITION - The ice machine will start making ice automatically.

Manitowoc recommends disassembling, cleaning and sanitizing the ice machine and dispenser every six months.

**PROCEDURE TO CLEAN HEAVILY SCALED FLAKE/ NUGGET ICE MACHINES**

Ice machines that are heavily scaled or have not been cleaned on a regular basis will need to run this procedure. Failure to do so may result in binding of the auger as the lime scale releases from the auger and evaporator barrel.

**Step 1** Remove panels and set the ICE/OFF/CLEAN toggle switch to the OFF position.

**Step 2** Remove all ice from the bin.

**Step 3** Turn off the water supply to the ice machine.

**Step 4** Place ICE/OFF/CLEAN toggle switch in the CLEAN position. The dump valve will open and drain the water from the evaporator and reservoir.

**Step 5** Wait approximately 30 seconds (or until the evaporator is drained) and place the toggle switch in the OFF position.

**Step 6** Refer to chart and add the correct amount of cleaner for your model ice machine.

Model	Amount of Cleaner
SN12 SN20	12 ounce (355 ml)

**Step 7** Turn on the water supply to the ice machine.

**Important**

Leave the cleaner/water solution in the evaporator for a minimum of 4 hours.

**Step 8** Move the toggle switch to the ICE position. The compressor will energize and produce ice with the cleaning solution. Continue the freeze cycle for 15 minutes.

**Step 9** Move the toggle switch to the OFF position, then follow the standard cleaning (Page 13) and sanitizing procedures (Page 14).

**CLEANING PROCEDURE**

Ice machines that are heavily scaled or have not been cleaned on a regular basis will need to run the Heavily Scaled Cleaning Procedure before this one. Failure to do so may result in binding of the auger as the lime scale releases from the auger and evaporator barrel.

Ice machine cleaner is used to remove lime scale or other mineral deposits. It is not used to remove algae or slime. Refer to the "Sanitizing Procedure" for removal of algae and slime.

**Step 1** Remove panels and set the ICE/OFF/CLEAN toggle switch to the OFF position.

**Step 2** Turn off the water supply to the ice machine.

**Step 3** Remove all ice from the bin.

**Step 4** Place ICE/OFF/CLEAN toggle switch in the CLEAN position. The dump valve will open and drain the water from the evaporator and reservoir.

**Step 5** Wait approximately 30 seconds (or until the evaporator is drained) and place the toggle switch in the OFF position.

**Step 6** Refer to chart and premix the correct solution of cleaner and cool water for your ice machine.

Model	Amount of Cleaner Part Number 000000084	Amount of Water
SN12 SN20	2 ounces (60 ml)	32 ounces (1 liter)

**Step 7** Remove the top cover from the ice chute and pour the cleaner/water solution into the evaporator. Add the entire amount of premixed solution (excess solution will exit through the overflow tube in the water reservoir).

**Step 8** Replace the ice chute cover and allow the ice machine to stand for 30 minutes.

**Step 9** Turn on the water supply to the ice machine.

**Step 10** Move the toggle switch to the ICE position. After the 15 minute delay period expires the compressor will energize and produce ice with the cleaning solution.

**Step 11** The ice machine will freeze and discharge the cleaning solution into the bin. Allow the cycle to run for 15 minutes.

**Step 12** Place the toggle switch in the OFF position and refer to sanitizing procedure.

NOTE: Discard all ice produced during the cleaning process. Cleaning and sanitizing must be performed on adjacent surface areas not contacted by the water distribution system. Refer to Component Disassembly for Cleaning/Sanitizing (Page 15) - Disassemble, clean and sanitize the ice machine a minimum of once every six months.

**SANITIZING PROCEDURE**

Ice machine sanitizer is used to remove algae or slime. It is not used to remove lime scale or other mineral deposits. Refer to the "Cleaning Procedure" for removal of lime scale or other mineral deposits.

NOTE: Sanitizing must be performed on adjacent surface areas not contacted by the water distribution system. Always perform Component Disassembly for Cleaning/Sanitizing procedure and a Cleaning Procedure before sanitizing the ice machine.

**Step 1** Turn off the water supply to the ice machine.

**Step 2** Place ICE/OFF/CLEAN toggle switch in the CLEAN position. The dump valve will open and drain the water from the evaporator and reservoir.

**Step 3** Wait approximately 30 seconds (or until the evaporator is drained) and place the toggle switch in the OFF position.

**Step 4** Refer to the chart and add the correct amount of sanitizer and cool water for your model ice machine.

Model	Amount of Sanitizer	Amount of Water
SN12 SN20	2 ounces (60 ml)	3 gallons (11 liters)

**Step 5** Remove the top cover from the ice chute and pour the sanitizer/water solution into the evaporator. Add the entire amount of premixed solution (excess solution will exit through the overflow tube in the water reservoir).

**Step 6** Replace the ice chute cover and allow the ice machine to stand for 30 minutes.

**Step 7** Turn on the water supply to the ice machine.

**Step 8** Move the toggle switch to the ICE position. After the 15 minute delay period expires the compressor will energize and produce ice with the sanitizing solution.

**Step 9** The ice machine will freeze and discharge the sanitizing solution into the bin. Allow the cycle to run for 15 minutes.

NOTE: Discard all ice produced during the sanitizing process.

**Step 10** Place the toggle switch in the CLEAN position. The ice machine will run a wash cycle, a series of rinse cycles and then stop. This entire cycle lasts approximately 30 minutes.

**Step 11** Refer to Component Disassembly for Cleaning/Sanitizing, (Page 15) remove clean and sanitize all parts listed.

### Component Disassembly for Cleaning/ Sanitizing

The ice machine must be disassembled cleaned and sanitized every six months.

**⚠ Caution**

Do not mix Cleaner and Sanitizer solutions together. It is a violation of Federal law to use these solutions in a manner inconsistent with their labeling.

1. Turn off water supply to ice machine.

**⚠ Warning**

Wear rubber gloves and safety goggles (and/or face shield) when handling Ice Machine Cleaner or Sanitizer.

2. Place toggle switch in the CLEAN position for 30 seconds to drain water from reservoir, then move toggle switch to OFF position.
3. Run dispenser to transfer all ice from the bin to a container.

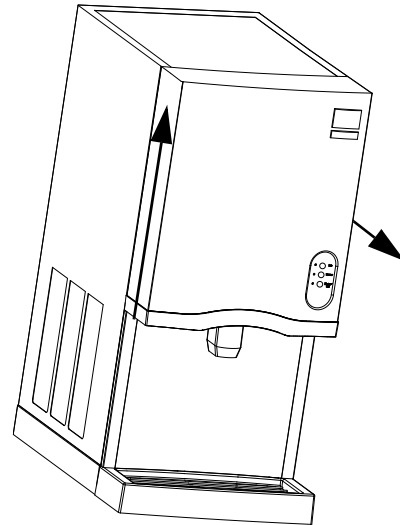
**⚠ Warning**

Disconnect electric power to the ice machine at the electric switch box before proceeding.

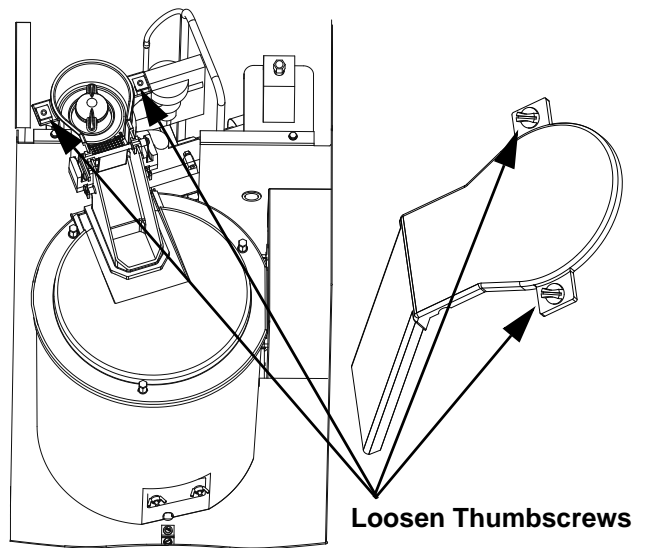
4. Disconnect electrical power to the ice machine.
5. Remove top cover.
  - A. Remove two thumbscrews.
  - B. Lift up on top cover to remove.



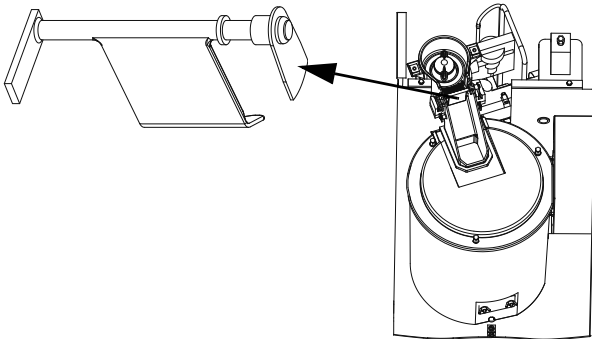
6. Remove front cover.
  - A. Lift up on front cover.
  - B. Pull forward to disengage keyhole slots.



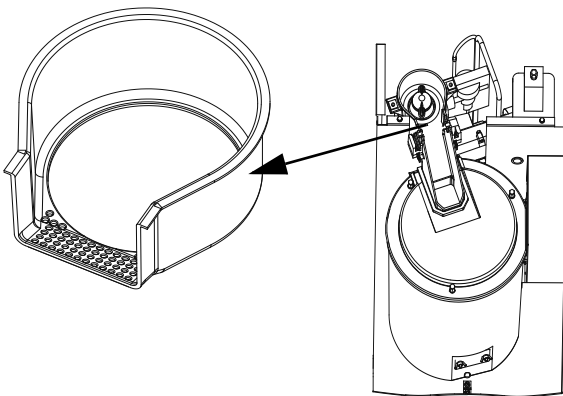
7. Remove ice chute cover.
  - A. Turn the two thumbscrews 1/4 turn.
  - B. Lift to remove cover.



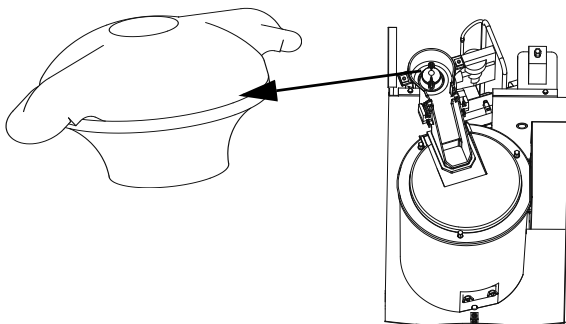
8. Lift out ice damper.



9. Lift out ice strainer ramp.

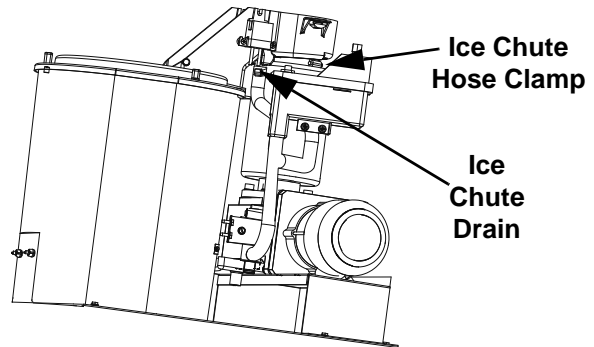


10. Turn ice wiper counterclockwise to remove.

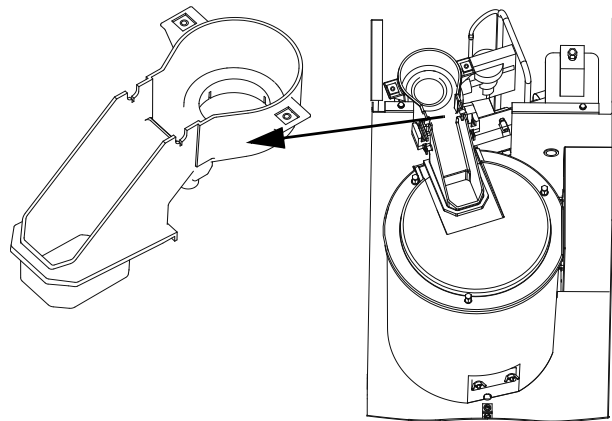


11. Loosen ice chute hose clamp.

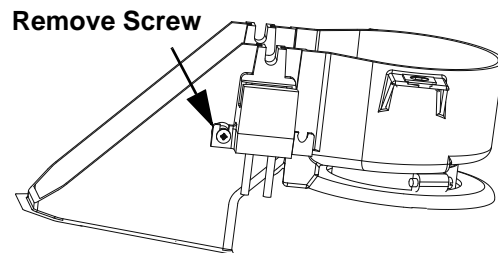
12. Disconnect ice chute drain.



13. Lift up on ice chute to remove. The ice chute must be removed before the bin cover can be removed.

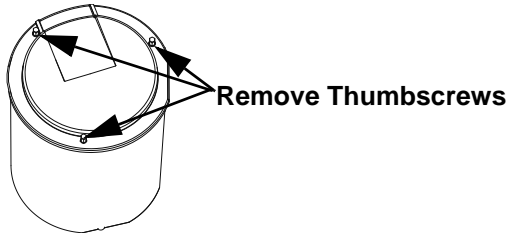


14. The ice chute can be cleaned in place. If complete removal is desired use a phillips screwdriver to remove the Hall Effect Switch assembly from the ice chute.



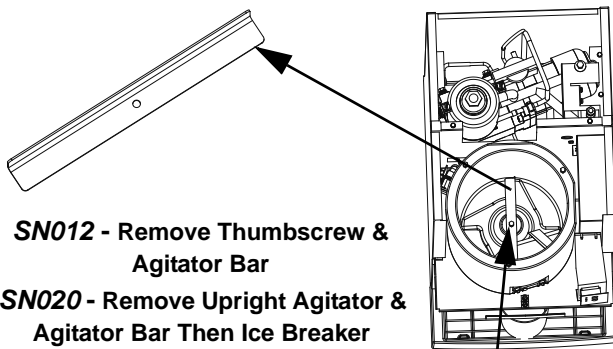


15. Remove three thumbscrews, then remove bin cover.



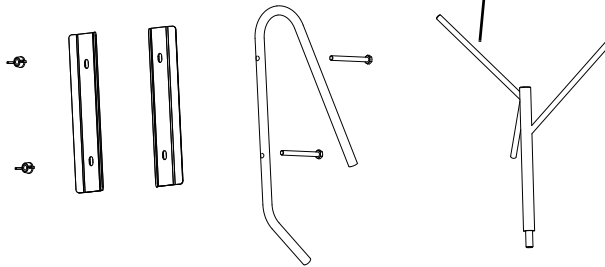
16. Remove agitator bar and ice breaker on SN020.

NOTE: Bar must be reassembled by inserting front edge into the paddle wheel, then lowering the back edge (rounded 90 angle) to prevent water leakage into the compressor compartment.



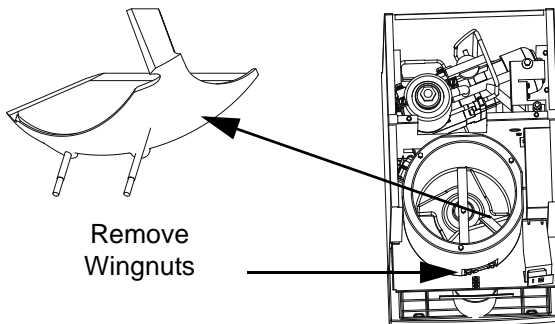
**SN012 - Remove Thumbscrew & Agitator Bar**

**SN020 - Remove Upright Agitator & Agitator Bar Then Ice Breaker Thumbscrews, Bolts & Breaker Bar**

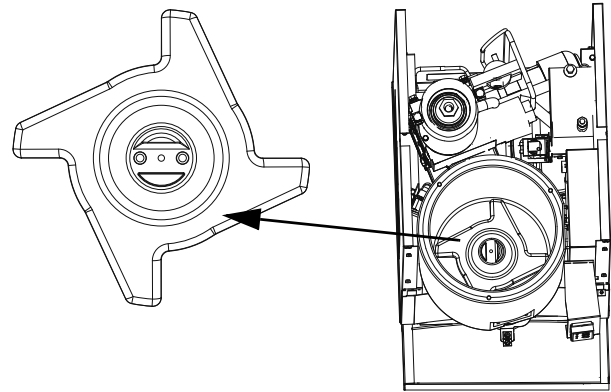


17. Remove ice deflector.

- A. Remove the two thumbscrews.
- B. Lift the ice deflector out.

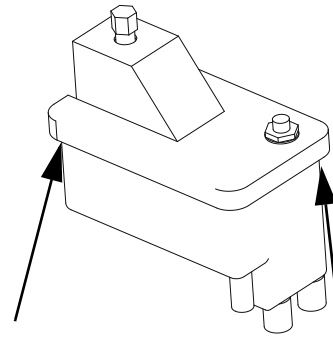


18. Remove ice dispensing wheel by lifting straight out.



19. Remove the water reservoir cover.

- A. Push up on cover to snap off.



20. Mix a solution of cleaner and warm water.

Depending upon the amount of mineral buildup, a larger quantity of solution may be required. Use the ratio in the table below to mix enough solution to thoroughly clean all parts.

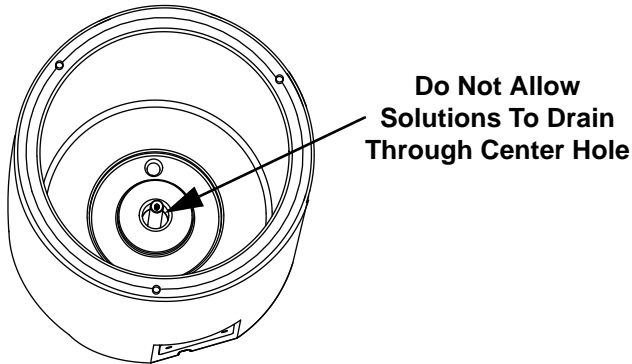
Solution Type	Water	Mixed With
Cleaner	1 gal. (4 l)	16 oz (500 ml) cleaner

21. Use the cleaner/water mixture to clean all components. The cleaner solution will foam when it contacts lime scale and mineral deposits; once the foaming stops use a soft-bristle nylon brush, sponge or cloth (NOT a wire brush) to carefully clean the parts. Soak parts for 5 minutes (15 - 20 minutes for heavily scaled parts). Rinse all components with clean water.

**⚠ Caution**

Do not pour cleaner or sanitizer solutions into the bin. The solution will leak out of the front of the bin and into the compressor compartment.

22. While components are soaking clean all foodzone surfaces of the bin. Rinse all areas thoroughly with clean water.



23. Mix a solution of sanitizer and warm water.

Solution Type	Water	Mixed With
Sanitizer	6 gal. (23 l)	4 oz (120 ml) sanitizer

24. Use 1/2 of the sanitizer/water solution to sanitize all removed components. Use a cloth or sponge to liberally apply the solution to all surfaces of the removed parts or soak the removed parts in the sanitizer/water solution. Do not rinse parts after sanitizing.

25. Use 1/2 of the sanitizer/water solution to sanitize the dispenser bin, water trough and delivery spout. Use a cloth or sponge to liberally apply the solution. Do not rinse the sanitized areas.

26. Reinstall the removed parts, restore water and power supply and test run the ice machine.

NOTE: Disconnecting and reconnecting the power supply activates a 15 minute time delay. This delay period can not be over ridden. The delay period will start when power is restored and the ice machine starts after the 15 minute delay period expires.

### Cleaning the Condenser

**Warning**

Disconnect electric power to the ice machine and the remote condenser at the electric service switch before cleaning the condenser.

#### Air-Cooled Condenser

A dirty condenser restricts airflow, resulting in excessively high operating temperatures. This reduces ice production and shortens component life. Clean the condenser at least every six months. Follow the steps below.

**Caution**

The condenser fins are sharp. Use care when cleaning them.

1. The washable filter is designed to catch dust, dirt, lint and grease. This helps keep the condenser clean. Clean the filter with a mild soap and water solution.
2. Clean the outside of the condenser with a soft brush or a vacuum with a brush attachment. Clean from top to bottom, not side to side. Be careful not to bend the condenser fins.
3. Shine a flashlight through the condenser to check for dirt between the fins. If dirt remains:
  - A. Blow compressed air through the condenser fins from the inside. Be careful not to bend the fan blades.
  - B. Use a commercial condenser coil cleaner. Follow the directions and cautions supplied with the cleaner.
4. Carefully wipe off the fan blades and motor with a soft cloth. Do not bend the fan blades. If the fan blades are excessively dirty, wash with warm, soapy water and rinse thoroughly.

**Caution**

If you are cleaning the condenser fan blades with water, cover the fan motor to prevent water damage.

## Removal from Service/Winterization

### GENERAL

Special precautions must be taken if the ice machine head section is to be removed from service for an extended period of time or exposed to ambient temperatures of 32°F (0°C) or below.

 **Caution**

If water is allowed to remain in the ice machine in freezing temperatures, severe damage to some components could result. Damage of this nature is not covered by the warranty.

Follow the procedure below.

1. Disconnect the electrical power at the circuit breaker or the electric service switch.
2. Turn off the water supply.
3. Disconnect and drain the incoming ice-making water line at the rear of the ice machine.
4. Disconnect drain tubing (from the inlet to dump valve) and drain water into container and discard.
5. Make sure water is not trapped in any of the water lines, drain lines, distribution tubes, etc.

## Section 5

# Customer Support

### Checklist

If a problem arises during operation of your ice machine, follow the checklist below before calling for service. Routine adjustments and maintenance procedures are not covered by the warranty.

Problem	Possible Cause	To Correct
Ice machine does not operate Blue light on dispenser spout is off	No electrical power to the ice machine	Reset the breaker/turn on main power switch/ plug cord into receptacle
	ICE/OFF/CLEAN toggle switch set improperly	Move toggle switch to the ICE position
	Control Board fuse open	Replace the fuse
Blue light on dispenser spout is on	15 minute delay has not expired	Wait 15 minutes for ice machine to start
	High Pressure Control is open	Clean filter and condenser
	Water reservoir is empty. (Water sensing switch must be closed to start the gearmotor)	Open water service valve or clean float valve screen
Gear Motor runs but compressor will not start.	Dirty air filter and/or condenser causes the high pressure cutout and compressor overload to open	Clean air filter and condenser - Disconnect power for minimum 4 hours then energize. If problem persists contact a qualified service company to determine cause.
Ice machine stops and can be restarted by moving the toggle switch to OFF and back to ICE	The SafeGuard feature is stopping the ice machine	Refer to "SafeGuard Feature" in this section
Ice quality is poor	Poor incoming water quality	Contact a qualified service company to test the quality of the incoming water and check filter
	Water filtration is poor	Replace filter
	Incoming water temperature is above 90°F (32°C)	Correct water temperature. (Verify check/mixing valves in other equipment are working properly). Connect the ice machine to a cold water supply
	Water pressure is low	Water pressure must remain between 20 and 80 psig (138 and 552 kPA)
	Water softener is working improperly (if applicable)	Repair the water softener
Low ice capacity or Ice machine turns Off & On repeatedly	Water float valve screen is dirty	Remove and clean the filter screen
	Incoming water supply is shut-off	Open the water service valve
	Water dump valve is leaking	Clean the dump valve
	Water Pressure is low. The water sensing switch turns off the ice machine repeatedly	Water pressure must remain between 20 and 80 psig (138 and 552 kPA)
	Incoming water temperature is above 90°F (32°C)	Correct water temperature. (verify check/mixing valves in other equipment is working properly)
	Frequent power interruptions or power surges/dips	Verify ice machine is on a separate circuit and power is stable
	Water float valve stuck open or leaking	Remove the float valve and clean it
	Objects stacked around ice machine, blocking airflow to condenser	Remove items blocking airflow
	High air temperature around ice machine	Air temperature must not exceed 110°F (43°C)
	Inadequate clearance around the ice machine	Provide adequate clearance
The condenser is dirty	Clean the condenser	

**Flake/Chiplet/Nugget Commercial Ice Machine Warranty**

Manitowoc Ice, Inc. (hereinafter referred to as the "COMPANY") warrants for a period of twenty-four months from the installation date (except as limited below) that new Flake/Chiplet ice machines manufactured by the COMPANY shall be free of defects in material or workmanship under normal and proper use and maintenance as specified by the COMPANY and upon proper installation and start-up in accordance with the instruction manual supplied with the ice machine. The COMPANY's warranty hereunder with respect to the compressor shall apply for an additional thirty-six months, excluding all labor charges.

The obligation of the COMPANY under this warranty is limited to the repair or replacement of parts, components, or assemblies that in the opinion of the COMPANY are defective. This warranty is further limited to the cost of parts, components or assemblies and standard straight time labor charges at the servicing location.

Time and hourly rate schedules, as published from time to time by the COMPANY, apply to all service procedures. Additional expenses including without limitation, travel time, overtime premium, material cost, accessing or removal of the ice machine, or shipping are the responsibility of the owner, along with all maintenance, adjustments, cleaning, and ice purchases. Labor covered under this warranty must be performed by a COMPANY Contracted Service Representative or a refrigeration service agency as qualified and authorized by the COMPANY's local Distributor. The COMPANY's liability under this warranty shall in no event be greater than the actual purchase price paid by customer for the ice machine.

The foregoing warranty shall not apply to (1) any part or assembly that has been altered, modified, or changed; (2) any part or assembly that has been subjected to misuse, abuse, neglect, or accidents; (3) any ice machine that has been installed and/or maintained inconsistent with the technical instructions provided by the COMPANY; or (4) any ice machine initially installed more than five years from the serial number production date. This warranty shall not apply if the Ice Machine's refrigeration system is modified with a condenser, heat reclaim device, or parts and assemblies other than those manufactured by the COMPANY, unless the COMPANY approves these modifications for specific locations in writing.

**THIS WARRANTY IS IN LIEU OF ALL OTHER WARRANTIES OR GUARANTEES OF ANY KIND, EXPRESSED OR IMPLIED, INCLUDING ANY IMPLIED WARRANTY OF MERCHANTABILITY OR FITNESS FOR A PARTICULAR PURPOSE.** In no event shall the COMPANY be liable for any special, indirect, incidental or consequential damages. Upon the expiration of the warranty period, the COMPANY's liability under this warranty shall terminate. The foregoing warranty shall constitute the sole liability of the COMPANY and the exclusive remedy of the customer or user. To secure prompt and continuing warranty service, the warranty registration card must be completed and sent to the COMPANY within five (5) days from the installation date.

Complete the following and retain for your record:

Distributor/Dealer \_\_\_\_\_  
Model Number \_\_\_\_\_ Serial Number \_\_\_\_\_  
Installation Date \_\_\_\_\_

MANITOWOC ICE  
2110 So. 26th St., P.O. Box 1720, Manitowoc, WI 54221-1720  
Telephone: 920-682-0161 • Fax: 920-683-7585  
Web Site - [www.manitowocice.com](http://www.manitowocice.com)

## Residential Ice Machine Limited Warranty

### WHAT DOES THIS LIMITED WARRANTY COVER?

Subject to the exclusions and limitations below, Manitowoc Foodservice ("Manitowoc") warrants to the original consumer that any new ice machine manufactured by Manitowoc (the "Product") shall be free of defects in material or workmanship for the warranty period outlined below under normal use and maintenance, and upon proper installation and start-up in accordance with the instruction manual supplied with the Product.

### HOW LONG DOES THIS LIMITED WARRANTY LAST?

<u>Product Covered</u>	<u>Warranty Period</u>
Ice Machine	Twelve (12) months from the sale date

### WHO IS COVERED BY THIS LIMITED WARRANTY?

This limited warranty only applies to the original consumer of the Product and is not transferable.

### WHAT ARE MANITOWOC ICE'S OBLIGATIONS UNDER THIS LIMITED WARRANTY?

If a defect arises and Manitowoc receives a valid warranty claim prior to the expiration of the warranty period, Manitowoc shall, at its option: (1) repair the Product at Manitowoc's cost, including standard straight time labor charges, (2) replace the Product with one that is new or at least as functionally equivalent as the original, or (3) refund the purchase price for the Product. Replacement parts are warranted for 90 days or the balance of the original warranty period, whichever is longer. The foregoing constitutes Manitowoc's sole obligation and the consumer's exclusive remedy for any breach of this limited warranty. Manitowoc's liability under this limited warranty is limited to the purchase price of Product. Additional expenses including, without limitation, service travel time, overtime or premium labor charges, accessing or removing the Product, or shipping are the responsibility of the consumer.

### HOW TO OBTAIN WARRANTY SERVICE

To obtain warranty service or information regarding your Product, please contact us at:

MANITOWOC FOODSERVICE

2110 So. 26th St.

P.O. Box 1720,

Manitowoc, WI 54221-1720

Telephone: 920-682-0161 Fax: 920-683-7585

[www.manitowocice.com](http://www.manitowocice.com)

### WHAT IS NOT COVERED?

This limited warranty does not cover, and you are solely responsible for the costs of: (1) periodic or routine maintenance, (2) repair or replacement of the Product or parts due to normal wear and tear, (3) defects or damage to the Product or parts resulting from misuse, abuse, neglect, or accidents, (4) defects or damage to the Product or parts resulting from improper or unauthorized alterations, modifications, or changes; and (5) defects or damage to any Product that has not been installed and/or maintained in accordance with the instruction manual or technical instructions provided by Manitowoc. To the extent that warranty exclusions are not permitted under some state laws, these exclusions may not apply to you.

EXCEPT AS STATED IN THE FOLLOWING SENTENCE, THIS LIMITED WARRANTY IS THE SOLE AND EXCLUSIVE WARRANTY OF MANITOWOC WITH REGARD TO THE PRODUCT. ALL IMPLIED WARRANTIES ARE STRICTLY LIMITED TO THE DURATION OF THE LIMITED WARRANTY APPLICABLE TO THE PRODUCTS AS STATED ABOVE, INCLUDING BUT NOT LIMITED TO, ANY WARRANTY OF MERCHANTABILITY OR OF FITNESS FOR A PARTICULAR PURPOSE.

Some states do not allow limitations on how long an implied warranty lasts, so the above limitation may not apply to you.

IN NO EVENT SHALL MANITOWOC OR ANY OF ITS AFFILIATES BE LIABLE TO THE CONSUMER OR ANY OTHER PERSON FOR ANY INCIDENTAL, CONSEQUENTIAL OR SPECIAL DAMAGES OF ANY KIND (INCLUDING, WITHOUT LIMITATION, LOSS PROFITS, REVENUE OR BUSINESS) ARISING FROM OR IN ANY MANNER CONNECTED WITH THE PRODUCT, ANY BREACH OF THIS LIMITED WARRANTY, OR ANY OTHER CAUSE WHATSOEVER, WHETHER BASED ON CONTRACT, TORT OR ANY OTHER THEORY OF LIABILITY.

Some states do not allow the exclusion or limitation of incidental or consequential damages, so the above limitation or exclusion may not apply to you.

### HOW STATE LAW APPLIES

This limited warranty gives you specific legal rights, and you may also have rights that vary from state to state or from one jurisdiction to another.

### REGISTRATION CARD

To secure prompt and continuing warranty service, this warranty registration card must be completed and sent to Manitowoc within thirty (30) days from the sale date. Complete the following registration card and send it to Manitowoc.

# Table des matières

---

## Section 1 Généralités

<b>Références des modèles</b> .....	25
<b>Accessoires</b> .....	25
Nettoyant et désinfectant Manitowoc .....	25
Pieds .....	25
Option de détection Touchless .....	25

## Section 2 Instructions d'installation

<b>Emplacement de la machine à glaçons</b> .....	26
<b>Conditions d'espace requises pour la machine à glaçons</b> .....	26
<b>Alimentation électrique</b> .....	27
Tension .....	27
Fusible/Disjoncteur .....	27
Courant admissible de circuit total .....	27
<b>Conditions électriques requises</b> .....	27
<b>Alimentation en eau et évacuations</b> .....	27
Alimentation en eau potable .....	27
Lignes d'arrivée d'eau potable .....	27
Raccordements d'évacuation .....	27
Dimensionnement/Raccordement des conduites d'alimentation en eau et d'évacuation .....	28
<b>Avant la mise en marche de la machine à glaçons</b> .....	29
Liste de vérification d'installation .....	29

## Section 3 Fonctionnement

<b>Gamme d'opération</b> .....	30
Temporisateur de 15 minutes .....	30
Avant la mise en service .....	30
Démarrage initial .....	30
Cycle de congélation .....	30
Arrêt automatique .....	30
Remise en marche après arrêt automatique .....	30
<b>Vérifications opérationnelles</b> .....	31
Généralités .....	31
Fonctionnement .....	31

**Section 4**  
**Entretien**

<b>Nettoyage et désinfection</b> .....	<b>32</b>
Généralités .....	<b>32</b>
Nettoyage extérieur .....	<b>32</b>
Procédures .....	<b>32</b>
Procédure de nettoyage de maintenance préventive .....	<b>33</b>
Procédure de nettoyage des machines à glaçons Flake/Nugget [écailles/pépites] fortement entartrées .....	<b>34</b>
Procédure de nettoyage .....	<b>34</b>
Procédure de désinfection .....	<b>35</b>
<b>Démontage de composants pour nettoyage/désinfection</b> .....	<b>36</b>
<b>Nettoyage du condenseur</b> .....	<b>39</b>
<b>Mise hors service/Hivérisation</b> .....	<b>40</b>
Généralités .....	<b>40</b>

**Section 5**  
**Service clientèle**

<b>Liste de vérification</b> .....	<b>41</b>
<b>Garantie de machines à glaçons commerciales Flake/Chiptet/Nugget</b> .....	<b>42</b>
<b>Garantie limitée résidentielle de la machine à glaçons</b> .....	<b>43</b>



# Section 1

## Généralités

### Références des modèles

Le présent manuel s'applique aux modèles suivants :

Activation par levier	Activation par détecteur Touchless
SN012A Machine à glaçons Nugget (pépites) autonome refroidie à l'air	SN012AT Machine à glaçons Nugget (pépites) autonome refroidie à l'air
SN020A Machine à glaçons Nugget (pépites) autonome refroidie à l'air	SN020AT Machine à glaçons Nugget (pépites) autonome refroidie à l'air

#### **Avertissement**

Ne pas utiliser un équipement qui aura été mal utilisé, abusé, négligé, endommagé ou dont les spécifications originales de fabrication auront été altérées/modifiées.

Le présent appareil ne doit pas être utilisé par des personnes (enfants y compris) ayant des capacités physiques, sensorielles ou mentales diminuées, ou ayant un manque d'expérience et de connaissance, à moins que celles-ci n'aient reçu une formation sur l'utilisation de l'appareil par une personne responsable de leur sécurité.

### Accessoires

#### NETTOYANT ET DÉSINFECTANT MANITOWOC

Le nettoyant et le désinfectant pour machines à glaçons Manitowoc sont disponibles en bouteilles pratiques de 473 ml (16 oz) et de 3,78 l (1 gallon). Ce nettoyant et ce désinfectant sont les seuls produits approuvés pour les machines Manitowoc.

Référence du nettoyant		Référence du désinfectant	
16 oz	000000084	16 oz	94-0565-3
		1 Gallon	94-0581-3

#### PIEDS

Des pieds réglables de quatre pouces sont disponibles en option.

#### OPTION DE DÉTECTION TOUCHLESS

Le mécanisme de détection Touchless peut être commandé installé sur la machine à glaçons en usine ou un kit de conversion sur place est également disponible. Le kit de conversion sur place inclut un panneau avant de remplacement ainsi que des instructions d'installation.

## Section 2

# Instructions d'installation

Ces instructions sont fournies pour assister l'installateur qualifié. Consulter les Pages jaunes locales pour trouver le nom du distributeur Manitowoc le plus proche ou appeler Manitowoc Foodservice pour toute information concernant les services de mise en route.

### Important

Le non-respect de ces directives d'installation risque d'affecter la couverture de garantie.

### Emplacement de la machine à glaçons

Le choix de l'emplacement pour la machine à glaçons doit respecter les critères suivants. Si l'un de ces critères n'est pas respecté, choisir un autre emplacement.

- L'emplacement doit être exempt d'agents aéroportés et de toute autre substance contaminante.
- La température de l'air doit être au moins de 7 °C (45 °F) sans toutefois excéder 43 °C (110 °F).
- La température de l'eau doit être au moins de 7°C (45°F) sans toutefois excéder 32 °C (90 °F).
- L'emplacement ne doit pas se trouver à proximité d'appareils générateurs de chaleur ou à la lumière directe du soleil.
- L'emplacement doit pouvoir supporter le poids de la machine à glaçons et un bac plein de glaçons, et permettre à la machine à glaçons d'être nivelée d'avant en arrière et latéralement.
- L'emplacement doit prévoir suffisamment de dégagement pour les prises d'eau et raccords électriques à **l'arrière de la machine à glaçons**. L'évacuation peut être acheminée vers l'extérieur de l'arrière ou du bas du distributeur.
- L'emplacement ne doit pas obstruer l'écoulement d'air dans la machine ou autour de celle-ci. Le flux d'air entre sur la gauche et sort par le haut. Consulter le tableau pour obtenir les conditions d'espace requises.

### Conditions d'espace requises pour la machine à glaçons

	SN12	SN20
Haut	61 cm (24")	61 cm (24")
Côtés	20 cm (8")	20 cm (8")
Arrière*	13 cm (5")	13 cm (5")

\* - Un espace de 13 cm (5") est recommandé pour l'entretien de la machine à glaçons. L'espace peut être de 0 cm lorsque les raccords d'eau et d'évacuation sortent du bas de la machine à glaçons.

### Attention

La partie principale de la machine à glaçons doit être protégée si elle est susceptible d'être soumise à des températures inférieures à 0 °C (32 °F). Toute défaillance due à une exposition à des températures inférieures à 0 °C n'est pas couverte par la garantie. Voir la section « Mise hors service/ Hivérisation ».

## Alimentation électrique

### Avertissement

Tout le câblage doit être conforme aux codes locaux, régionaux et nationaux.

### TENSION

La variation de tension admissible maximale est de  $\pm 10\%$  de la tension nominale sur la plaque de référence/numéro de série de la machine à glaçons (lorsque la charge électrique est la plus haute).

### FUSIBLE/DISJONCTEUR

Un fusible/disjoncteur séparé doit être fourni pour chaque machine à glaçons. Les disjoncteurs doivent être de catégorie H.A.C.R. (ne s'applique pas au Canada).

**Les machines à glaçons 115/60/1** sont pré-câblées en usine avec un cordon d'alimentation et une fiche 5-15P.

**Les machines à glaçons 230/50/1** sont pré-câblées en usine avec un cordon d'alimentation, aucune fiche n'est fournie.

### Avertissement

La machine à glaçons doit être mise à la terre conformément aux codes de l'électricité nationaux et locaux.

### COURANT ADMISSIBLE DE CIRCUIT TOTAL

Le courant admissible de circuit total permet de sélectionner la dimension de câble de l'alimentation électrique.

La dimension de câble (ou le calibre) dépendant également de l'emplacement, des matériaux utilisés, de la longueur de la conduite, etc., celle-ci doit être déterminée par un électricien qualifié.

## Conditions électriques requises

Machine à glaçons	Tension/ Phase/ Cycle	Refroidissement à l'air	
		Fusible/ Disjoncteur maximum	Intensité totale du circuit
SN12	115/1/60	15	10,3
	230/1/50	15	4,6
SN20	115/1/60	15	10,3
	230/1/50	15	6,0

## Alimentation en eau et évacuations

### ALIMENTATION EN EAU POTABLE

En fonction des conditions d'eau locales, il peut s'avérer nécessaire de traiter l'eau pour empêcher la formation de tartre, filtrer les sédiments et éliminer le goût et l'odeur du chlore.

### Important

Pour installer un système de filtration d'eau Manitowoc, consulter les Instructions d'installation fournies avec le système de filtration pour les raccordements d'arrivée d'eau de fabrication des glaçons.

### LIGNES D'ARRIVÉE D'EAU POTABLE

Suivre ces directives pour l'installation des lignes d'arrivée d'eau :

- Ne pas raccorder la machine à glaçons à une alimentation en eau chaude. S'assurer que tous les restricteurs d'eau chaude installés pour les autres appareils fonctionnent (clapets de non-retour sur robinets d'éviers, lave-vaisselle, etc.).
- Si la pression de l'eau dépasse la pression maximale recommandée (551,5 kPa/80 psig), se procurer un régulateur de pression d'eau auprès d'un distributeur Manitowoc.
- Installer un robinet d'arrêt de l'eau et un raccord union pour les lignes d'eau de fabrication de glaçons.
- Isoler les lignes d'arrivée d'eau pour éviter les problèmes de condensation.

### RACCORDEMENTS D'ÉVACUATION

Suivre ces directives lors de l'installation des conduites d'évacuation :

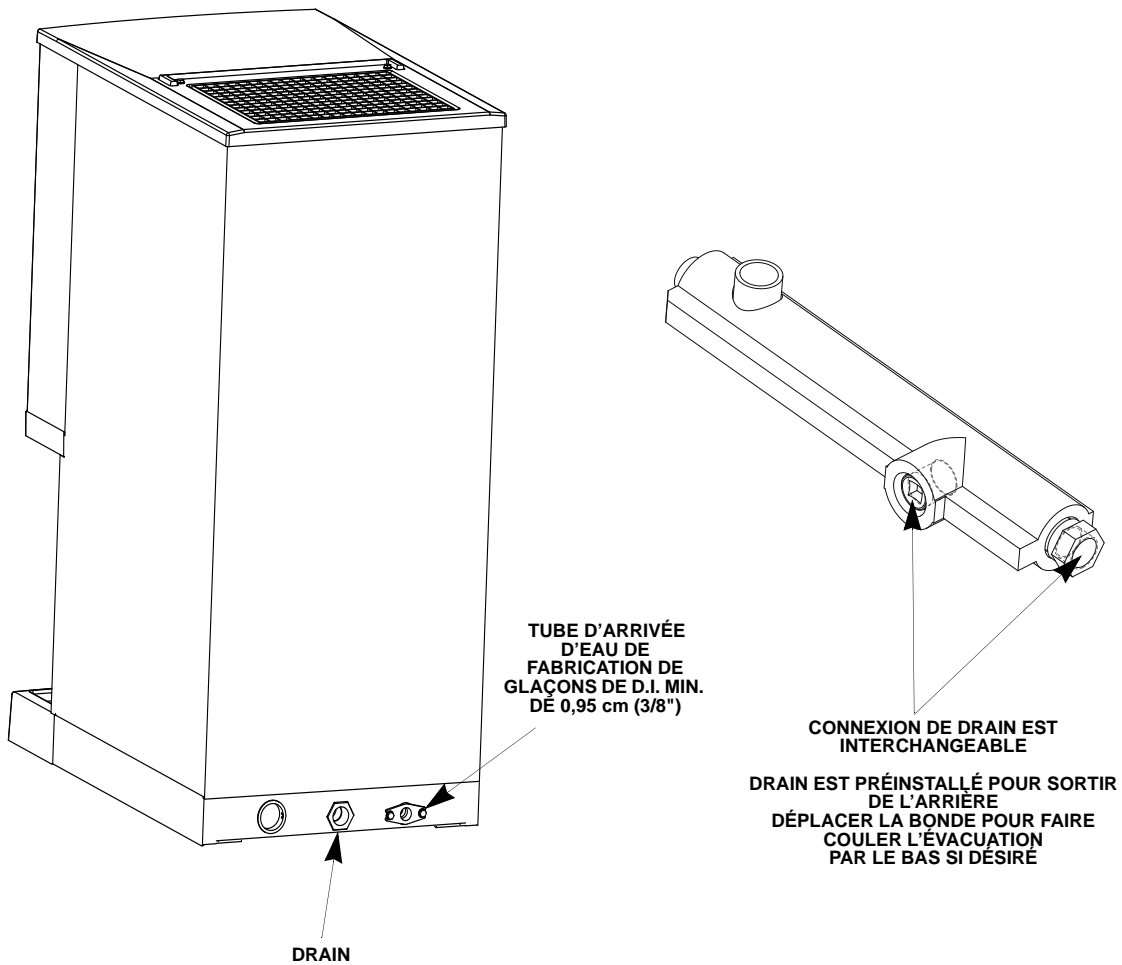
- Les lignes d'évacuation doivent avoir une inclinaison de 2,5 cm par mètre (1,5 pouce par 5 pieds) et ne doivent pas créer de siphons.
- Le siphon de sol doit être suffisamment grand pour recevoir l'eau provenant de toutes les évacuations.
- Isoler les conduites d'évacuation pour prévenir la condensation.
- Les évacuations doivent être équipées d'un raccord-union ou de tout autre moyen adapté permettant de déconnecter la machine à glaçons pour des raisons de maintenance.

**DIMENSIONNEMENT/RACCORDEMENT DES CONDUITES D'ALIMENTATION EN EAU ET D'ÉVACUATION**

**⚠ Attention**

La tuyauterie doit être conforme aux codes locaux et régionaux.

Emplacement	Température de l'eau	Pression d'eau	Raccordement de la machine à glaçons	Dimension de tubulure jusqu'à raccordement de machine à glaçons
Fabrication de glaçons Arrivée d'eau	6°C (45°F) Mini 32°C (90 °F) Maxi	137,9 kPA (20 psi) Mini. 551,5 kPA (80 psi) Maxi.	3/8" Femelle Filetage de tuyau	10 mm (3/8") diamètre intérieur minimum
Évacuation de machine à glaçons	---	---	3/4" Femelle Filetage de tuyau	19 mm (3/4") diamètre intérieur minimum



**Installation d'évacuation d'alimentation en eau type**

## Avant la mise en marche de la machine à glaçons

### LISTE DE VÉRIFICATION D'INSTALLATION

X	Item de liste de vérification
	La machine à glaçons est-elle à niveau ?
	Tout l'emballage interne a-t-il été retiré ?
	Tous les raccordements électriques et d'eau ont-ils été effectués ?
	La tension d'alimentation a-t-elle été testée et vérifiée par rapport à la valeur nominale indiquée sur la plaque signalétique ?
	Y a-t-il un espace approprié autour de la machine à glaçons pour la circulation d'air ?
	La machine à glaçons a-t-elle été installée là où des températures ambiantes resteront dans la fourchette de 7 à 43 °C (45 à 110 °F) ?
	La machine à glaçons a-t-elle été installée là où la température d'eau entrante restera dans la fourchette de 7 à 32 °C (45 à 90 °F) ?
	Tous les fils électriques sont-ils exempts de contact des lignes de réfrigération et de l'équipement mobile ?
	Le propriétaire/l'opérateur ont-ils été informés de l'entretien et de l'utilisation du nettoyant et du désinfectant Manitowoc ?
	La carte de garantie a-t-elle été envoyée à l'usine ?
	La machine à glaçons et le distributeur ont-ils été désinfectés ?
	Ce manuel a-t-il été remis au propriétaire ou à l'opérateur ?
	Le réservoir d'eau est-il approximativement aux 2/3 plein d'eau ?
	Le commutateur à bascule a-t-il été mis en position ICE ? (Le commutateur est situé derrière le couvercle avant)

Toutes les machines à glaçons Manitowoc sont mises en route et ajustées en usine avant l'expédition.

Normalement, les nouvelles installations ne requièrent aucun ajustement. Pour garantir un bon fonctionnement, suivre les Vérifications opérationnelles figurant à la Section 3 du présent manuel.

Les réglages et les procédures de maintenance indiqués dans ce manuel ne sont pas couverts par la garantie.



#### **Avertissement** **Situation comportant un risque** **de blessure corporelle**

Ne pas utiliser un équipement qui aura été mal utilisé, abusé, négligé, endommagé ou dont les spécifications originales de fabrication auront été altérées/modifiées.

## Section 3

# Fonctionnement

---

### Gamme d'opération

#### TEMPORISATEUR DE 15 MINUTES

Le délai de 15 minutes doit être expiré avant de pouvoir mettre sous tension le moteur à engrenages ou le compresseur.

Le délai commence à temporiser sur application de l'alimentation ou sur mouvement du commutateur à bascule de OFF à ICE.

Le délai commence quand :

- la machine à glaçons entre en arrêt automatique
- l'alimentation est déconnectée et reconnectée
- le commutateur à bascule passe de OFF à ICE

Cette période de temporisation ne peut pas être passée outre et se réinitialisera à 15 minutes si l'une des conditions ci-dessus se produit.

#### AVANT LA MISE EN SERVICE

Lorsque le commutateur à bascule est mis en position ICE, ce qui suit doit se produire dans l'ordre indiqué avant que la machine ne se mette en marche.

- L'amortisseur de goulotte à glaçons doit se trouver en position fermée ou abaissée.
- Le délai de 15 minutes doit être expiré. Le délai commence sur application de l'alimentation et mouvement du commutateur à bascule de OFF à ICE.
- Le commutateur de détection d'eau doit être fermé (réservoir d'eau plein d'eau et flotteur de détection d'eau en position relevée).

#### DÉMARRAGE INITIAL

La mise sous tension et/ou le mouvement du commutateur à bascule de OFF à ICE lancera une temporisation de 15 minutes. Cette temporisation ne peut pas être passée outre. L'interrupteur de détection d'eau fermé (réservoir plein d'eau), le moteur à engrenages se mettra sous tension à la fin de la temporisation de 15 minutes. Le compresseur et le moteur de ventilateur du condenseur se mettent sous tension 5 secondes après le générateur.

#### CYCLE DE CONGÉLATION

Le robinet à flotteur maintient automatiquement le niveau d'eau dans le réservoir. L'amortisseur de glaçons s'ouvre et se ferme pour vérifier la production de glaçons. La machine à glaçons continuera de fabriquer des glaçons jusqu'à ce que l'amortisseur de glaçons soit maintenu ouvert (relevé) tandis que les glaçons remplissent le bac.

#### ARRÊT AUTOMATIQUE

Lorsque l'amortisseur de glaçons est maintenu ouvert par les glaçons, le moteur à engrenages, le compresseur et le ventilateur de condenseur se mettent hors tension. Le délai de quinze minutes commence à temporiser. La machine à glaçons restera hors tension jusqu'à expiration du délai de 15 minutes et fermeture de l'amortisseur à glaçons.

#### REMISE EN MARCHÉ APRÈS ARRÊT AUTOMATIQUE

##### 1. Moins de 4 heures se sont écoulées depuis l'arrêt automatique.

L'interrupteur de détection d'eau fermé (réservoir plein d'eau), le moteur à engrenages se mettra sous tension à la fin de la temporisation de 15 minutes. Le compresseur et le moteur de ventilateur du condenseur se mettent sous tension 5 secondes après le générateur.

##### 2. Plus de 4 heures se sont écoulées depuis l'arrêt automatique.

Le robinet d'évacuation se met sous tension pour évacuer l'évaporateur. Au bout de 30 secondes, le robinet d'évacuation se met hors tension. Lorsque le réservoir se remplit d'eau, l'interrupteur de détection d'eau se ferme et le moteur à engrenages se met sous tension. Le compresseur et le moteur de ventilateur du condenseur se mettent sous tension 5 secondes après le générateur.

## Vérifications opérationnelles

### GÉNÉRALITÉS

Les machines à glaçons Manitowoc sont mises en route et ajustées en usine avant l'expédition. Normalement, une machine à glaçons nouvellement installée ne requiert pas d'être ajustée.

Pour garantir un bon fonctionnement, toujours suivre les Vérifications opérationnelles :

- lors de la mise en marche de la machine à glaçons pour la première fois
- après une période prolongée hors service
- après le nettoyage et la désinfection

REMARQUE : Les réglages de routine et les procédures de maintenance périodique indiqués dans ce manuel ne sont pas couverts par la garantie.

### Voyant bleu

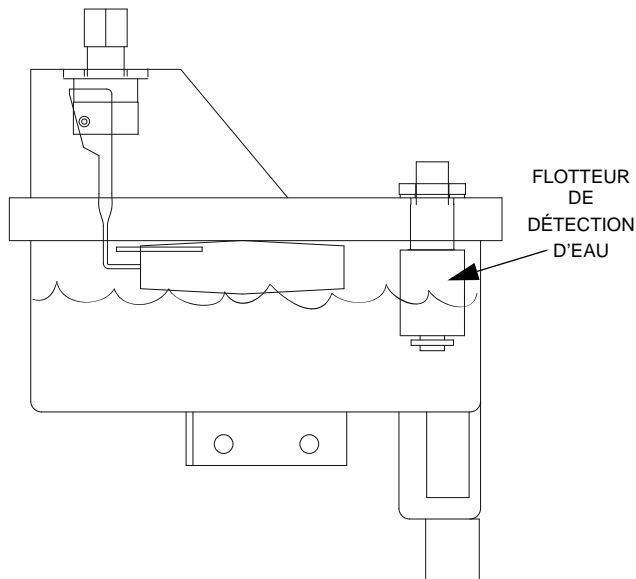
Le voyant bleu sur le bec de distribution se met sous tension lorsque le commutateur à bascule est position ICE et que la machine à glaçons est opérationnelle. Si le voyant n'est pas sous tension, la machine à glaçons ne fabrique pas de glaçons. Consulter la Section 5 Service clientèle si la machine à glaçons est alimentée et que le voyant n'est pas sous tension.

### Interrupteur à bascule

Le commutateur à bascule doit être mis en position ON pour fabriquer des glaçons.

### Réservoir d'eau

Le réservoir d'eau doit être aux 2/3 plein d'eau et le flotteur de détection d'eau doit être relevé (interrupteur fermé) avant que la machine à glaçons ne se mette en marche.



### Production de glaçons

Laisser la machine à glaçons produire des glaçons pendant 15 minutes avant de tester le mécanisme de distribution et ce, pour garantir une quantité de glaçons dans le bac suffisante pour la distribution.

### FONCTIONNEMENT

#### 1. Régler le sélecteur

Appuyer sur le bouton adjacent au texte.

- Sélectionner ICE pour la distribution de glaçons uniquement
- Sélectionner ICE/WATER pour l'eau et les glaçons
- Sélectionner WATER pour l'eau uniquement

#### 2. Distribution

##### Activation par levier

Utiliser un verre ou un récipient pour appuyer sur le bras du distributeur en arrière. Relâcher le bras et la machine à glaçons s'arrête de distribuer.

##### Activation au centre Touchless

Placer un verre ou un récipient sous le bec de distribution à moins de 2,5 cm (1") du détecteur. La machine distribuera automatiquement des glaçons. Retirer le verre ou le récipient pour stopper la distribution.

# Section 4

## Entretien

### Nettoyage et désinfection

#### GÉNÉRALITÉS

Le propriétaire est responsable de l'entretien de la machine à glaçons conformément aux instructions figurant dans le présent manuel. Les procédures d'entretien ne sont pas couvertes par la garantie.

Nettoyer et désinfecter la machine à glaçons tous les six mois pour un fonctionnement efficace. Si la machine à glaçons requiert un nettoyage et une désinfection plus fréquents, contacter une entreprise de maintenance qualifiée pour tester la qualité de l'eau et recommander un traitement approprié de l'eau. Si besoin est, une machine à glaçons extrêmement sale peut être démontée pour le nettoyage et la désinfection.

#### **Attention**

Utiliser uniquement le nettoyant (référence 000000084) et le désinfectant (référence 94-0565-3) pour machine à glaçons approuvés par Manitowoc. Ne pas mélanger les solutions nettoyantes et désinfectantes. Utiliser ces solutions sans tenir compte des instructions figurant sur les étiquettes est une violation de la loi fédérale. Lire et comprendre toutes les étiquettes imprimées sur les flacons avant utilisation.

#### **Avertissement**

Porter des gants en caoutchouc et des lunettes de sécurité (et/ou un masque) lors de la manipulation du nettoyant ou du désinfectant pour machine à glaçons.

#### NETTOYAGE EXTÉRIEUR

Une fois par semaine : retirer la grille du plateau de rebut de glace et essuyer le panneau anti-éclaboussures, le plateau de rebut de glace et la grille à l'aide de la solution désinfectant et eau (consulter la Page 35). Vider l'excès de solution du plateau de rebut de glace pour dégager l'évacuation.

#### DÉTECTEUR TOUCHLESS UNIQUEMENT

Essuyer le hublot du détecteur à l'aide d'un chiffon doux et d'un détergent doux. Rincer à l'eau claire et essuyer avec un chiffon doux propre.

#### PROCÉDURES

La présente machine à glaçons Manitowoc a trois procédures de nettoyage séparées.

#### **Procédure de nettoyage de maintenance préventive**

Effectuer cette procédure tel qu'il le faut pour les conditions d'eau. Procédure recommandée une fois par mois.

- Permet de nettoyer la machine à glaçons sans retirer tous les glaçons du bac
- Élimine les dépôts minéraux des zones ou surfaces directement en contact avec l'eau pendant le cycle de congélation (réservoir, évaporateur, pointeau, conduites d'évacuation)

#### **Procédure de nettoyage et de désinfection**

Cette procédure doit être suivie au moins une fois tous les six mois.

- Retirer tous les glaçons du bac.
- La machine à glaçons et le bac doivent être démontés, nettoyés et désinfectés.
- La machine à glaçons produit des glaçons avec les solutions nettoyantes et désinfectantes.
- Tous les glaçons produits pendant les procédures de nettoyage et de désinfection doivent être jetés.

#### **Procédure de nettoyage des machines fortement entartées**

Exécuter cette procédure en présence de l'un ou de tous les symptômes suivants.

- Grincements, claquements ou sifflements provenant de l'évaporateur
- Grincements provenant de la boîte d'engrenages
- La machine à glaçons s'arrête sur Arrêt de sécurité
- L'eau a une forte concentration de minéraux
- La machine à glaçons n'a pas fait l'objet d'un entretien périodique.

Effectuer une procédure de nettoyage tel qu'il l'est décrit ci-dessus une fois cette procédure terminée.

REMARQUE : Une procédure de désinfection doit être effectuée une fois que toutes les procédures de nettoyage sont terminées.



## PROCÉDURE DE NETTOYAGE DE MAINTENANCE PRÉVENTIVE

Utiliser le nettoyant pour machine à glaçons pour éliminer la chaux de tartre ou tout autre dépôt minéral. Ne pas l'utiliser pour éliminer les algues ou tout film biologique. Pour éliminer les algues et les films biologiques, consulter la section « Procédure de désinfection ». Pour initier un cycle de nettoyage à l'aide de la technologie de nettoyage de Manitowoc, procéder de la manière suivante.

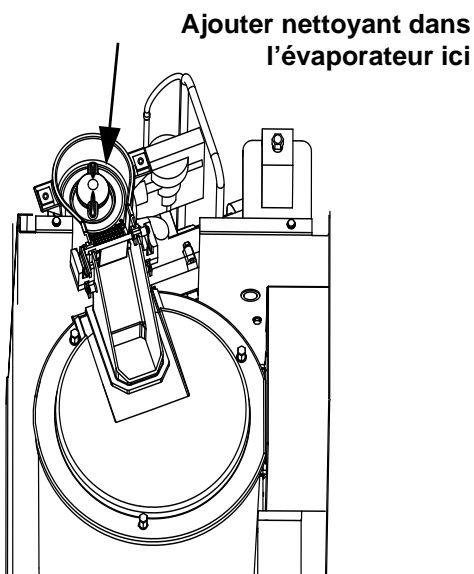
**Étape 1** Pour démarrer un cycle de nettoyage, mettre le commutateur à bascule en position CLEAN. L'eau s'écoulera par le robinet d'évacuation d'eau et par l'évacuation d'eau.

**Étape 2** Retirer le panneau supérieur et le couvercle de goulotte à glaçons en plastique translucide. Patienter environ une minute puis ajouter la quantité appropriée de nettoyant pour machine à glaçons Manitowoc. Rincer le nettoyant à partir du haut de l'évaporateur avec 60 ml (2 onces) d'eau claire et remettre le couvercle en place.

Modèle	Quantité de nettoyant
SN12 SN20	60 ml (2 once)

### ⚠ Attention

Utiliser uniquement le nettoyant pour machines à glaçons approuvé par Manitowoc. Utiliser ces solutions sans tenir compte des instructions figurant sur les étiquettes est une violation de la loi fédérale. Lire et comprendre toutes les étiquettes imprimées sur les flacons avant utilisation.



**Étape 3** La machine à glaçons effectuera un cycle de lavage, une série de cycles de rinçage et s'arrêtera. Le cycle complet dure approximativement 30 minutes.

REMARQUE : Un nettoyage périodique doit être effectué sur les superficies adjacentes qui ne sont pas en contact avec le système de distribution d'eau.

REMARQUE : La machine à glaçons peut être réglée pour commencer et finir une procédure de nettoyage, puis à reprendre automatiquement la fabrication de glaçons.

- A. Une fois le nettoyant ajouté, changer le commutateur de la position CLEAN en position ICE.
- B. Une fois le cycle de nettoyage terminé, la fabrication de glaçons reprend automatiquement.

### Modification de la position du commutateur à bascule pendant le cycle de nettoyage :

1. Moins de 60 seconde après le début du cycle de nettoyage - Le cycle de nettoyage se terminera lorsque le commutateur à bascule est mis en position OFF.
  2. Plus de 60 secondes après le début du cycle de nettoyage - La machine à glaçons terminera le cycle de nettoyage. Une fois le cycle de nettoyage terminé, la position du commutateur à bascule déterminera le cycle suivant.
- POSITION CLEAN - La machine à glaçons attendra un changement de position du commutateur à bascule.
  - POSITION OFF - La machine à glaçons attendra un changement de position du commutateur à bascule.
  - POSITION ICE - La machine à glaçons commencera automatiquement la fabrication de glaçons.

Manitowoc recommande de démonter, de nettoyer et de désinfecter la machine à glaçons et le distributeur tous les six mois.

### PROCÉDURE DE NETTOYAGE DES MACHINES À GLAÇONS FLAKE/NUGGET [ÉCAILLES/PÉPITES] FORTEMENT ENTARTRÉES

Les machines à glaçons qui sont fortement entartrées ou qui n'ont pas été nettoyées régulièrement devront faire l'objet de cette procédure. Ne pas effectuer cette procédure risque de provoquer un grippage du pointeur au fur et à mesure que le calcaire se libère du pointeur et du baril d'évaporateur.

**Étape 1** Retirer les panneaux et régler le commutateur à bascule ICE/OFF/CLEAN en position OFF.

**Étape 2** Retirer tous les glaçons du bac.

**Étape 3** Couper l'alimentation d'eau à la machine à glaçons.

**Étape 4** Mettre le commutateur à bascule ICE/OFF/CLEAN en position CLEAN. Le robinet d'évacuation s'ouvrira et évacuera l'eau de l'évaporateur et du réservoir.

**Étape 5** Patienter environ 30 secondes (ou jusqu'à ce que l'évaporateur soit vidé) et mettre le commutateur à bascule en position OFF.

**Étape 6** Consulter le tableau et ajouter la quantité correcte de nettoyant pour le modèle de machine à glaçons.

Modèle	Quantité de nettoyant
SN12 SN20	355 ml (12 once)

**Étape 7** Ouvrir l'alimentation d'eau à la machine à glaçons.

#### Important

Laisser la solution nettoyant/eau dans l'évaporateur pendant au moins 4 heures.

**Étape 8** Mettre le commutateur à bascule en position ICE. Le compresseur se mettra sous tension et produira des glaçons avec la solution de nettoyage. Continuer le cycle de congélation pendant 15 minutes.

**Étape 9** Mettre le commutateur à bascule en position OFF puis suivre les procédures standard de nettoyage (Page 34) et de désinfection (Page 35).

### PROCÉDURE DE NETTOYAGE

Les machines à glaçons qui sont fortement entartrées ou qui n'ont pas été nettoyées régulièrement devront faire l'objet de la procédure de nettoyage de machines fortement entartrées avant cette procédure. Ne pas effectuer cette procédure risque de provoquer un grippage du pointeur au fur et à mesure que le calcaire se libère du pointeur et du baril d'évaporateur.

Utiliser le nettoyant pour machine à glaçons pour éliminer la chaux de tartre ou tout autre dépôt minéral. Ne pas l'utiliser pour éliminer les algues ou tout film biologique. Pour éliminer les algues et les films biologiques, consulter la section « Procédure de désinfection ».

**Étape 1** Retirer les panneaux et régler le commutateur à bascule ICE/OFF/CLEAN en position OFF.

**Étape 2** Couper l'alimentation d'eau à la machine à glaçons.

**Étape 3** Retirer tous les glaçons du bac.

**Étape 4** Mettre le commutateur à bascule ICE/OFF/CLEAN en position CLEAN. Le robinet d'évacuation s'ouvrira et évacuera l'eau de l'évaporateur et du réservoir.

**Étape 5** Patienter environ 30 secondes (ou jusqu'à ce que l'évaporateur soit vidé) et mettre le commutateur à bascule en position OFF.

**Étape 6** Consulter le tableau et pré-mélanger la solution correcte de nettoyant et d'eau fraîche pour la machine à glaçons.

Modèle	Quantité de nettoyant Référence 00000084	Quantité d'eau
SN12 SN20	60 ml (2 onces)	1 litre (32 onces)

**Étape 7** Retirer le couvercle supérieur de la goulotte à glaçons et verser la solution nettoyant/eau dans l'évaporateur. Ajouter toute la solution pré-mélangée (la solution excédentaire sortira par le tube de trop-plein dans le réservoir d'eau).

**Étape 8** Remettre le couvercle de goulotte à glaçons en place et laisser la machine à glaçons reposer pendant 30 minutes.

**Étape 9** Ouvrir l'alimentation d'eau à la machine à glaçons.

**Étape 10** Mettre le commutateur à bascule en position ICE. Au bout du délai de 15 minutes, le compresseur se mettra sous tension et produira des glaçons avec la solution de nettoyage.

**Étape 11** La machine à glaçons congèlera et évacuera la solution de nettoyage dans le bac. Laisser le cycle tourner pendant 15 minutes.

**Étape 12** Mettre le commutateur à bascule en position OFF et consulter la procédure de désinfection.

REMARQUE : Jeter toute la glace produite pendant le processus de nettoyage. Un nettoyage et une désinfection doivent être effectués sur les surfaces adjacentes qui ne sont pas en contact avec le système de distribution d'eau. Consulter la section Démontage de composants pour nettoyage/désinfection (Page 36) - Démontez, nettoyez et désinfectez la machine à glaçons au moins une fois tous les six mois.

### PROCÉDURE DE DÉSINFECTION

Utiliser le désinfectant pour machine à glaçons pour éliminer les algues ou tout film biologique. Ne pas l'utiliser pour éliminer la chaux de tartre ou tout autre dépôt minéral. Consulter la section « Procédure de nettoyage » pour éliminer la chaux de tartre ou tout autre dépôt minéral.

REMARQUE : Une désinfection doit être effectuée sur les surfaces adjacentes qui ne sont pas en contact avec le système de distribution d'eau. Toujours effectuer la procédure Démontage de composants pour nettoyage/désinfection et une procédure de nettoyage avant de désinfecter la machine à glaçons.

**Étape 1** Couper l'alimentation d'eau à la machine à glaçons.

**Étape 2** Mettre le commutateur à bascule ICE/OFF/CLEAN en position CLEAN. Le robinet d'évacuation s'ouvrira et évacuera l'eau de l'évaporateur et du réservoir.

**Étape 3** Patienter environ 30 secondes (ou jusqu'à ce que l'évaporateur soit vidé) et mettre le commutateur à bascule en position OFF.

**Étape 4** Consulter le tableau et ajouter la quantité correcte de désinfectant et d'eau fraîche pour le modèle de machine à glaçons.

Modèle	Quantité de désinfectant	Quantité d'eau
SN12 SN20	60 ml (2 onces)	11 litres (3 gallons)

**Étape 5** Retirer le couvercle supérieur de la goulotte à glaçons et verser la solution désinfectant/eau dans l'évaporateur. Ajouter toute la solution pré-mélangée (la solution excédentaire sortira par le tube de trop-plein dans le réservoir d'eau).

**Étape 6** Remettre le couvercle de goulotte à glaçons en place et laisser la machine à glaçons reposer pendant 30 minutes.

**Étape 7** Ouvrir l'alimentation d'eau à la machine à glaçons.

**Étape 8** Mettre le commutateur à bascule en position ICE. Au bout du délai de 15 minutes, le compresseur se mettra sous tension et produira des glaçons avec la solution de nettoyage.

**Étape 9** La machine à glaçons congèlera et évacuera la solution de désinfection dans le bac. Laisser le cycle tourner pendant 15 minutes.

REMARQUE : Jeter toute la glace produite pendant le processus de désinfection.

**Étape 10** Mettre le commutateur à bascule en position CLEAN. La machine à glaçons effectuera un cycle de lavage, une série de cycles de rinçage et s'arrêtera. Le cycle complet dure approximativement 30 minutes.

**Étape 11** Consulter la section Démontage de composants pour nettoyage/désinfection, (Page 36) retirer toutes les pièces indiquées à nettoyer et désinfecter.

## Démontage de composants pour nettoyage/désinfection

La machine à glaçons doit être démontée, nettoyée et désinfectée tous les six mois.

### ⚠ Attention

Ne pas mélanger les solutions nettoyantes et désinfectantes. Utiliser ces solutions sans tenir compte des instructions figurant sur les étiquettes est une violation de la loi fédérale.

1. Couper l'alimentation en eau à la machine à glaçons.

### ⚠ Avertissement

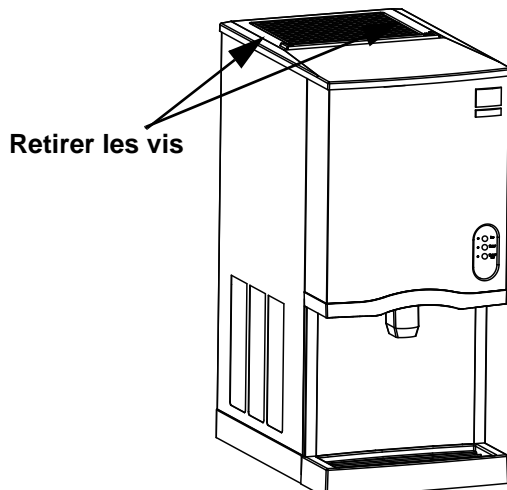
Porter des gants en caoutchouc et des lunettes de sécurité (et/ou un masque) lors de la manipulation du nettoyant ou du désinfectant pour machine à glaçons.

2. Mettre le commutateur à bascule en position CLEAN pendant 30 secondes pour vider l'eau du réservoir, puis mettre le commutateur à bascule en position OFF.
3. Faire marcher le distributeur pour transférer tous les glaçons du bac dans un récipient.

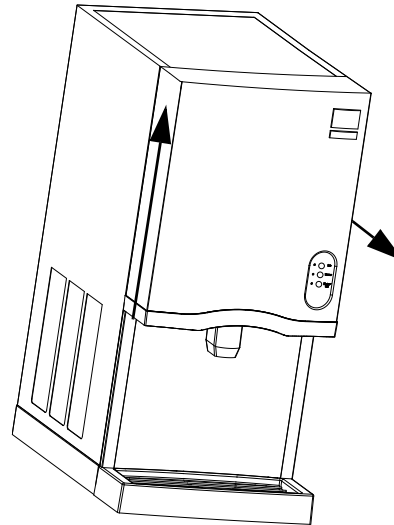
### ⚠ Avertissement

Couper l'alimentation de la machine à glaçons au niveau de la boîte de distribution électrique avant de continuer.

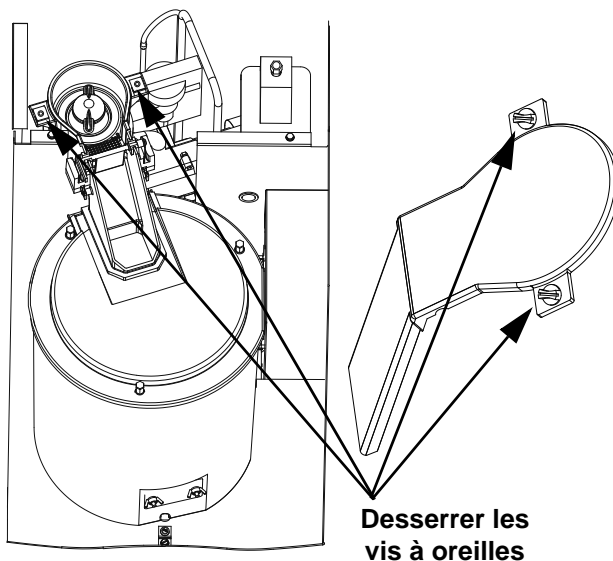
4. Déconnecter l'alimentation électrique à la machine à glaçons.
5. Retirer le couvercle supérieur.
  - A. Retirer deux vis à oreilles.
  - B. Relever le couvercle supérieur pour le retirer.



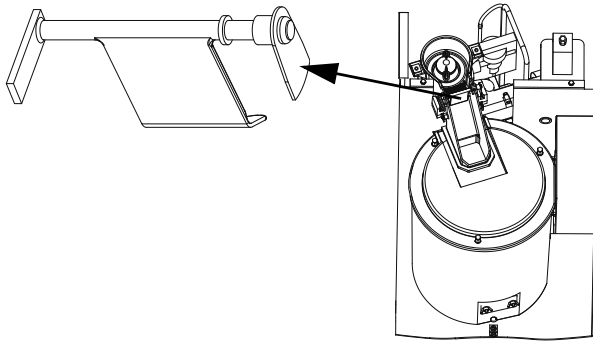
6. Retirer le couvercle avant.
  - A. Relever le couvercle avant.
  - B. Tirer vers l'avant pour déclencher les trous en poire.



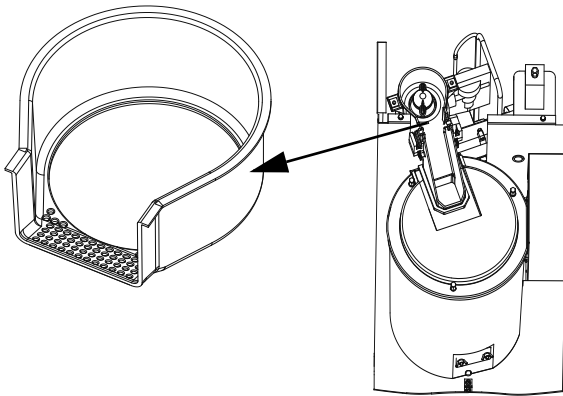
7. Retirer le couvercle de la goulotte à glaçons.
  - A. Faire tourner les deux vis à oreilles d'un quart de tour.
  - B. Relever pour retirer le couvercle.



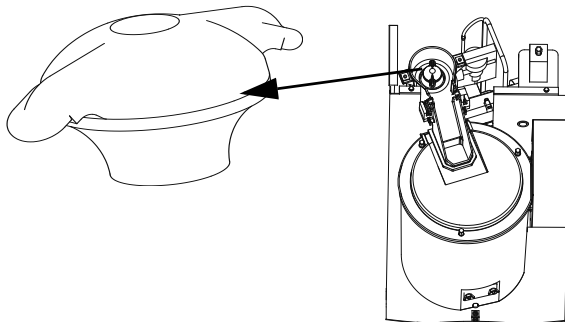
8. Relever l'amortisseur de glaçons.



9. Relever la rampe filtrante de glace.

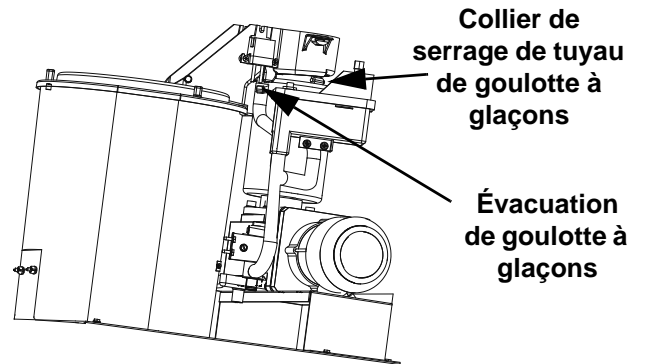


10. Faire tourner l'essuie-glace dans le sens contraire des aiguilles d'une montre pour le retirer.

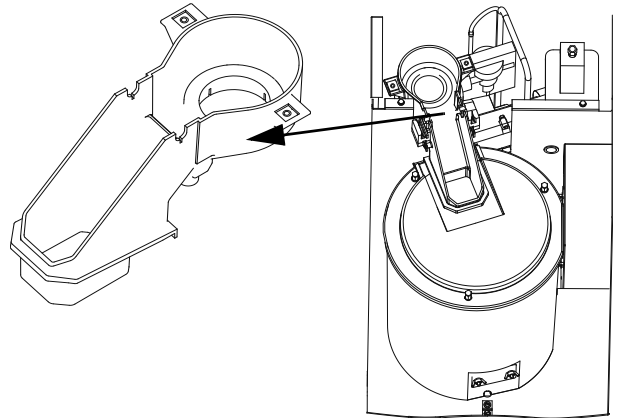


11. Desserrer le collier de serrage du tuyau de goulotte à glaçons.

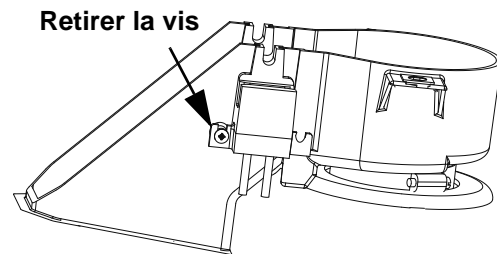
12. Déconnecter l'évacuation de goulotte à glaçons.



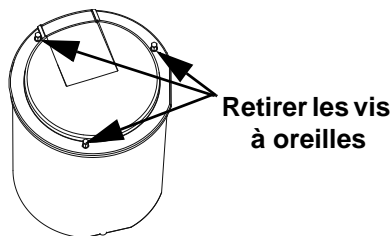
13. Relever la goulotte à glaçons pour la retirer. La goulotte à glaçons doit être retirée avant de pouvoir retirer le couvercle de bac.



14. La goulotte à glaçons peut être nettoyée en place. Pour la retirer complètement, utiliser un tournevis cruciforme pour retirer l'ensemble de commutateur à effet Hall de la goulotte à glaçons.

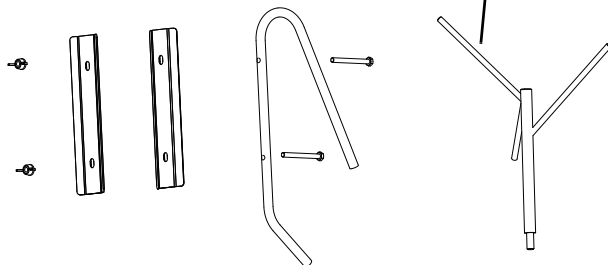
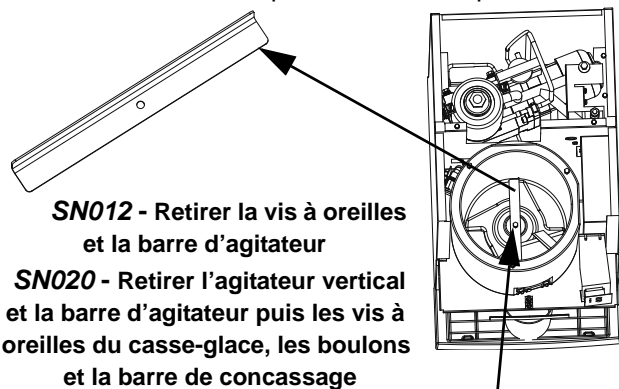


15. Retirer trois vis à oreilles puis retirer le couvercle de bac.



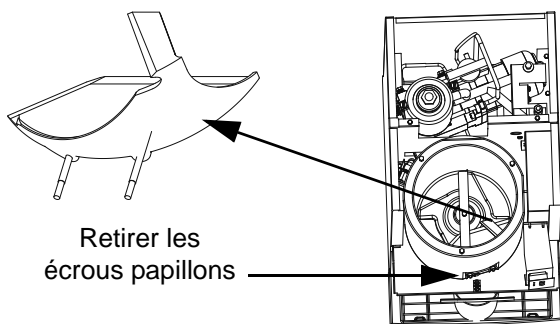
16. Retirer la barre d'agitateur et le casse-glace sur le modèle SN020.

REMARQUE : La barre doit être remontée en insérant le chant avant dans la roue radiale puis en abaissant le chant arrière (angle arrondi de 90 °) pour prévenir toute fuite d'eau dans le compartiment de compresseur.

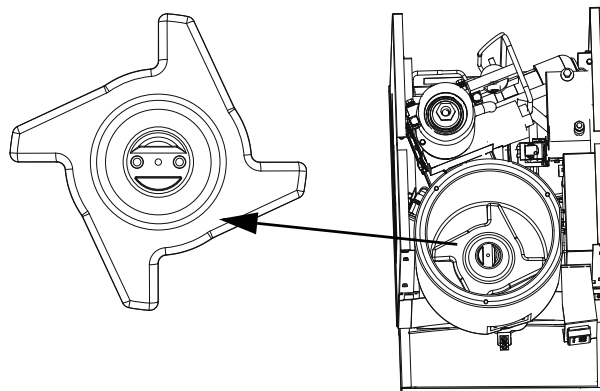


17. Retirer le déflecteur de glaçons.

- A. Retirer les deux vis à oreilles.
- B. Relever le déflecteur de glaçons.

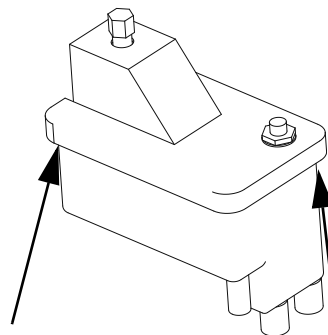


18. Retirer la roue de distribution de glaçons en relevant directement.



19. Déposer le couvercle du réservoir d'eau.

- A. Appuyer sur le couvercle pour le retirer.



20. Mélanger une solution nettoyante avec de l'eau chaude. Selon la quantité de dépôt minéral, une quantité plus importante de solution peut être requise. Utiliser le rapport dans le tableau ci-dessous pour mélanger suffisamment de solution pour nettoyer toutes les pièces.

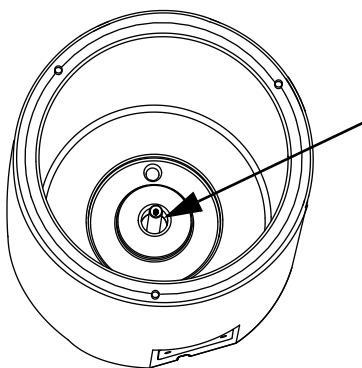
Type de solution	Eau	Mélangée avec
Nettoyant	4 l (1 gal.)	500 ml (16 oz) de nettoyant

21. Utiliser la solution nettoyant/eau pour nettoyer tous les composants. La solution nettoyante mousse lorsqu'elle est en contact avec du tartre ou des dépôts minéraux ; lorsque la formation de mousse s'arrête, utiliser une brosse en nylon à poils souples, une éponge ou un chiffon (PAS une brosse métallique) pour nettoyer soigneusement les pièces. Faire tremper les pièces pendant 5 minutes (15 - 20 minutes pour les pièces fortement entartrées). Rincer tous les composants à l'eau claire.

**⚠ Attention**

Ne pas verser de solutions de nettoyant ou de désinfectant dans le bac. La solution fuira sur le devant du bac et dans le compartiment de compresseur.

22. Tandis que les composants trempent, nettoyer toutes les surfaces alimentaires du bac. Rincer complètement toutes les zones à l'eau claire.



**Ne pas laisser les solutions s'évacuer dans le trou central**

23. Mélanger une solution désinfectante avec de l'eau chaude.

Type de solution	Eau	Mélangée avec
Désinfectant	23 l (6 gal.)	120 ml (4 oz) de désinfectant

24. Utiliser la moitié de la solution désinfectant/eau pour désinfecter tous les composants retirés. Utiliser un chiffon ou une éponge pour appliquer abondamment la solution sur toutes les surfaces des pièces retirées ou faire tremper les pièces retirées dans la solution désinfectant/eau. Ne pas rincer les pièces après la désinfection.

25. Utiliser la moitié de la solution désinfectant/eau pour désinfecter le bac de distributeur, le bac à eau et le bec de distribution. Utiliser un chiffon ou une éponge pour appliquer abondamment la solution. Ne pas rincer les zones désinfectées.

26. Remonter les pièces déposées, remettre les alimentations en eau et en alimentation en marche, et tester le fonctionnement de la machine à glaçons.

**REMARQUE :** La déconnexion et la reconnexion de l'alimentation électrique activent un délai de 15 minutes. Cette temporisation ne peut pas être passée outre. La durée de temporisation démarre lorsque l'alimentation est remise en marche et la machine à glaçons démarre lors de l'expiration du délai de 15 minutes.

### Nettoyage du condenseur

**⚠ Avertissement**

Couper l'alimentation électrique de la machine à glaçons et le condenseur à distance au niveau des interrupteurs de distribution électrique avant de nettoyer le condenseur.

### Condenseur refroidi à l'air

Un condenseur sale restreint le débit d'air, entraînant ainsi des températures de fonctionnement excessivement élevées. Ce qui réduit la production de glaçons et raccourcit la durée de vie des composants. Nettoyer le condenseur au moins tous les six mois. Suivre les étapes ci-dessous.

**⚠ Attention**

Les ailettes du condenseur sont coupantes. Faire attention en les nettoyant.

1. Le filtre lavable est conçu pour attraper la poussière, la saleté, les peluches et la graisse. Ceci permet de conserver le condenseur propre. Nettoyer le filtre avec une solution d'eau et de savon doux.
2. Nettoyer l'extérieur du condenseur à l'aide d'une brosse douce ou d'un aspirateur avec une brosse. Nettoyer de haut en bas, non pas latéralement. Faire attention de ne pas plier les ailettes de condenseur.
3. Éclairer une lampe de poche dans le condenseur pour inspecter toute présence éventuelle de saleté entre les ailettes. S'il reste de la saleté :
  - A. Souffler de l'air comprimé à travers les ailettes de condenseur de l'intérieur. Faire attention de ne pas plier les pales de ventilateur.
  - B. Utiliser un nettoyant commercial pour serpentin de condenseur. Suivre les directions et respecter les mises en garde du nettoyant.

4. Essuyer soigneusement les pales de ventilateur et le moteur à l'aide d'un chiffon doux. Ne pas courber les pales de ventilateur. Si les pales de ventilateur sont excessivement sales, laver à l'eau chaude savonneuse et bien rincer.

 **Attention**

Si les pales de ventilateur de condenseur sont nettoyés à l'eau, couvrir le moteur de ventilateur pour prévenir tout dommage d'eau.

## Mise hors service/Hivérisation

### GÉNÉRALITÉS

Prendre des précautions si la partie principale de la machine à glaçons doit être enlevée pour service pendant une période prolongée ou être exposée à des températures ambiantes de 0 °C (32 °F) ou moins.

 **Attention**

Si de l'eau reste dans la machine à glaçons à des températures inférieures à 0 °C, des composants pourraient être gravement endommagés. Les dommages de cette nature ne sont pas couverts par la garantie.

Suivre la procédure ci-dessous.

1. Débrancher l'alimentation électrique au niveau du disjoncteur ou de l'interrupteur de distribution électrique.
2. Couper l'alimentation en eau.
3. Débrancher et évacuer la conduite d'eau entrante de fabrication de glaçons à l'arrière de la machine à glaçons.
4. Déconnecter la tubulure d'évacuation (de l'arrivée à la soupape de décharge) et vider l'eau dans un récipient et la jeter.
5. S'assurer que l'eau n'est pas piégée dans l'une des conduites d'eau, d'évacuation, de distribution, etc.



## Section 5

### Service clientèle

#### Liste de vérification

En cas de problème pendant le fonctionnement de la machine à glaçons, suivre la liste de vérification ci-dessous avant de contacter le service technique. Les réglages périodiques et procédures d'entretien ne sont pas couverts par la garantie.

Problème	Cause possible	Mesure corrective
La machine à glaçons ne fonctionne pas Le voyant bleu sur le bec de distribution est hors tension	Absence d'alimentation électrique à la machine à glaçons	Réinitialiser le disjoncteur/ouvrir l'interrupteur d'alimentation principal/brancher le cordon dans la prise
	Commutateur à bascule ICE/OFF/CLEAN mal réglé	Mettre le commutateur à bascule en position ICE
	Fusible de carte de commande ouvert	Remplacer fusible
Le voyant bleu sur le bec de distribution est sous tension	Délai de 15 minutes non expiré	Patience 15 minutes pour que la machine à glaçons se mette en marche
	Contrôle haute pression est ouvert	Nettoyer le filtre et le condenseur
	Le réservoir d'eau est vide. (L'interrupteur de détection d'eau doit être fermé pour mettre le moteur à engrenage en marche)	Ouvrir le robinet de service d'eau ou nettoyer la crépine du robinet à flotteur
Le moteur à engrenage fonctionne mais le compresseur ne démarrera pas.	Un filtre à air et/ou un condenseur sales provoquent l'ouverture du pressostat de haute pression et de surcharge de compresseur	Nettoyer le filtre à air et le condenseur - Déconnecter l'alimentation pendant au moins 4 heures puis remettre sous tension. Si le problème persiste, contacter une entreprise de maintenance qualifiée pour en déterminer la cause.
La machine à glaçons s'arrête et peut être remise en marche en déplaçant le commutateur à bascule sur OFF puis sur ICE	La fonction SafeGuard arrête la machine à glaçons	Consulter la rubrique « Fonction SafeGuard » dans cette section
La qualité des glaçons est médiocre	Qualité médiocre de l'eau entrante	Contactez une entreprise de maintenance qualifiée pour tester la qualité de l'eau entrante et vérifier le filtre
	La filtration de l'eau est médiocre	Remplacer le filtre
	La température de l'eau entrante est supérieure à 32 °C (90 °F)	Rectifier la température de l'eau. (Vérifier que les clapets anti-retour et les mélangeurs dans d'autres équipements fonctionnent correctement.) Raccorder la machine à glaçons à une alimentation en eau froide
	Pression d'eau basse	La pression d'eau doit rester entre 138 et 552 kPa (20 et 80 psig)
	L'adoucisseur d'eau ne fonctionne pas correctement (le cas échéant)	Réparer l'adoucisseur d'eau
Faible capacité de glaçons ou La machine à glace s'éteint et s'allume à plusieurs reprises	La crépine du robinet à flotteur d'eau est sale	Retirer et nettoyer la crépine
	L'alimentation d'eau entrante est fermée	Ouvrir le robinet de service d'eau
	La soupape de décharge d'eau fuit	Nettoyage la soupape de décharge
	Pression d'eau basse. L'interrupteur de détection d'eau arrête la machine à glaçons à plusieurs reprises	La pression d'eau doit rester entre 138 et 552 kPa (20 et 80 psig)
	La température de l'eau entrante est supérieure à 32 °C (90 °F)	Rectifier la température de l'eau. (Vérifier que les clapets anti-retour et les mélangeurs dans d'autres équipements fonctionnent correctement.)
	Fréquentes interruptions de courant ou sautes/chutes de puissance	Vérifier que la machine à glaçons se trouve sur un circuit séparé et que l'alimentation est stable
	Le robinet à flotteur d'eau est coincé ouvert ou fuit	Retirer le robinet à flotteur d'eau et le nettoyer
	Objets empilés autour de la machine à glaçons, bloquant le débit d'air vers le condenseur	Retirer les articles bloquant le débit d'air
	Température ambiante élevée autour de la machine à glaçons	La température ambiante ne doit pas être supérieure à 43 °C (110 °F)
	Espace inapproprié autour de la machine à glaçons	Fournir espace adéquat
Le condenseur est sale	Nettoyer le condenseur	

**Garantie de machines à glaçons commerciales Flake/Chiplet/Nugget**

Manitowoc Ice, Inc. (ci-après appelée la « SOCIÉTÉ ») garantit, pendant une période de vingt-quatre mois à compter de la date d'installation (exception faite de la limitation ci-dessous), que les nouvelles machines à glaçons Flake/Chiplet fabriquées par la SOCIÉTÉ sont exemptes de tout défaut de matériaux ou de fabrication à condition d'une utilisation et d'entretien normaux et appropriés tels que spécifiés par la SOCIÉTÉ, et avec une installation et une mise en service appropriées conformes au manuel d'instructions fourni avec la machine à glaçons. La garantie de la SOCIÉTÉ ci-après relative au compresseur s'applique pendant trente-six mois supplémentaires, à l'exclusion des frais de main d'œuvre.

L'obligation de la SOCIÉTÉ en vertu de la présente garantie est limitée à la réparation ou au remplacement des pièces, des composants ou des ensembles qui, selon la SOCIÉTÉ, sont défectueux. La présente garantie est également limitée au coût des pièces, composants ou ensembles, et aux frais de main d'œuvre au salaire de base sur le lieu du service technique.

Les tarifs de taux de base et horaires, tels que publiés de temps à autre par la SOCIÉTÉ, s'appliquent à toutes les procédures de service. Les frais supplémentaires, y compris mais sans s'y limiter, le temps de déplacement, la majoration pour travail supplémentaire, le coût des matériaux, l'accès à la machine à glaçons ou son retrait, ou encore l'expédition, sont à la charge du propriétaire, tout comme le sont l'entretien, les réglages, le nettoyage et les achats de glaçons. Le travail couvert par la présente garantie doit être effectué par un représentant du service technique sous contrat de la SOCIÉTÉ ou par un organisme de service de réfrigération tel que qualifié et homologué par le distributeur local de la SOCIÉTÉ. La responsabilité de la SOCIÉTÉ en vertu de la présente garantie ne sera en aucun cas supérieure au prix d'achat réel payé par le client pour la machine à glaçons.

La garantie précédente ne s'appliquera pas à (1) toute pièce ou tout ensemble qui auront été altérés, modifiés ou changés ; (2) toute pièce ou tout ensemble qui auront été soumis à une mauvaise utilisation, un abus, une négligence ou des accidents ; (3) toute machine à glaçons qui aura été installée et/ou entretenue à l'encontre des instructions techniques fournies par la SOCIÉTÉ ; ou (4) toute machine à glaçons qui aura été initialement installée plus de cinq ans à compter de la date de production du numéro de série. La présente garantie ne s'applique pas si le système de réfrigération de la machine à glaçons est modifié par un condenseur, un récupérateur de chaleur ou d'autres pièces ou ensembles non fabriqués par la SOCIÉTÉ, sauf en cas de l'approbation écrite par la SOCIÉTÉ de ces modifications pour des emplacements spécifiques.

**LA PRÉSENTE GARANTIE REMPLACE TOUTES LES AUTRES GARANTIES DE TOUTE SORTE, EXPRESSES OU TACITES, Y COMPRIS TOUTE GARANTIE IMPLICITE DE QUALITÉ MARCHANDE OU D'ADAPTATION À UN USAGE PARTICULIER.** En aucun cas, la SOCIÉTÉ ne peut être tenue responsable des dommages spéciaux, indirects, accessoires ou consécutifs. Lors de l'échéance de la période de garantie, la responsabilité de la SOCIÉTÉ en vertu de la présente garantie viendra à échéance. La garantie précédente constitue la seule responsabilité de la SOCIÉTÉ et le recours exclusif du client ou de l'utilisateur. Pour assurer un service de garantie prompt et permanent, la carte de garantie doit être remplie et envoyée à la SOCIÉTÉ dans les cinq (5) jours suivant la date d'installation.

Remplir ce qui suit et conserver cette information :

Distributeur/Revendeur \_\_\_\_\_

Référence de modèle \_\_\_\_\_ Numéro de série \_\_\_\_\_

Date d'installation \_\_\_\_\_

MANITOWOC ICE

2110 So. 26th St., P.O. Box 1720, Manitowoc, WI 54221-1720 USA

Téléphone : 920-682-0161 • Fax : 920-683-7585

Site Web - [www.manitowocice.com](http://www.manitowocice.com)

## Garantie limitée résidentielle de la machine à glaçons

### CE QUE COUVRE LA PRÉSENTE GARANTIE LIMITÉE

Sous réserve des exclusions et limitations ci-dessous, Manitowoc Foodservice (« Manitowoc ») garantit au client d'origine toute nouvelle machine à glaçons fabriquée par Manitowoc (le « Produit ») contre tout défaut de matériau ou vice de fabrication pendant la période de garantie décrite ci-dessous dans des conditions normales d'utilisation et d'entretien, et suite à une installation et une mise en service correctes conformément au manuel d'instructions fourni avec le Produit.

### PÉRIODE DE CETTE GARANTIE LIMITÉE

<u>Produit couvert</u>	<u>Période de garantie</u>
Machine à glaçons	Douze (12) mois à compter de la date de vente

### PERSONNES COUVERTES PAR CETTE GARANTIE LIMITÉE

La présente garantie limitée s'applique uniquement au client d'origine du Produit et n'est pas transférable.

### OBLIGATIONS DE MANITOWOC ICE DANS LE CADRE DE CETTE GARANTIE LIMITÉE

En cas de défaut et de réception par Manitowoc d'une déclaration de dommage valide avant l'expiration de la période de garantie, Manitowoc doit, sur sa décision : (1) réparer le Produit à ses frais, y compris les frais de main d'œuvre standard en heures normales, (2) remplacer le Produit par un nouveau produit ou un produit équivalent à l'original ou (3) rembourser le prix d'achat du Produit. Les pièces de rechange sont garanties pendant 90 jours ou pour le reste de la période de garantie d'origine, si elle est plus longue. Les éléments précédents constituent l'unique obligation de Manitowoc et le recours exclusif du client en cas de rupture de la présente garantie limitée. La responsabilité de Manitowoc dans le cadre de la présente garantie limitée se limite au prix d'achat du Produit. Toutes dépenses supplémentaires, y compris mais sans s'y limiter, le temps de déplacement pour service, les frais de main d'œuvre d'heures supplémentaires ou de majoration, l'accessibilité au Produit ou son retrait, ou l'expédition sont à la charge du client.

### OBTENTION DE SERVICE DE GARANTIE

Pour obtenir un service de garantie ou toute information concernant le Produit, veuillez nous contacter :

MANITOWOC FOODSERVICE

2110 So. 26th St.

P.O. Box 1720,

Manitowoc, WI 54221-1720 USA

Téléphone : 920-682-0161 Fax : 920-683-7585

www.manitowocice.com

### CE QUI N'EST PAS COUVERT

La présente garantie limitée ne couvre pas, et laisse à votre seule responsabilité, les frais de ce qui suit : (1) maintenance périodique ou de routine, (2) réparation ou remplacement du Produit ou des pièces suite à une usure normale, (3) défauts ou dommages du Produit ou des pièces du fait d'une mauvaise utilisation, d'une utilisation abusive, de négligences ou d'accidents, (4) défauts ou dommages du Produit ou des pièces du fait d'altérations, de modifications ou de changements incorrects ou non autorisés et (5) défauts ou dommages d'un Produit non installé et/ou maintenu conformément au manuel d'instructions ou aux spécifications techniques fournis par Manitowoc. Dans la mesure où ces exclusions de garantie dépendent des lois nationales, il est possible qu'elles ne vous concernent pas.

SAUF TEL QU'INDIQUÉ PAR LA PHRASE SUIVANTE, LA PRÉSENTE GARANTIE LIMITÉE REPRÉSENTE LA SEULE ET UNIQUE GARANTIE DE MANITOWOC CONCERNANT LE PRODUIT. TOUTES LES GARANTIES TACITES SONT STRICTEMENT LIMITÉES À LA DURÉE DE LA GARANTIE LIMITÉE S'APPLIQUANT AUX PRODUITS, COMME INDIQUÉ PRÉCÉDEMMENT, Y COMPRIS, SANS TOUTEFOIS S'Y LIMITER, TOUTE GARANTIE DE QUALITÉ MARCHANDE OU D'ADAPTATION À UN USAGE PARTICULIER.

Certains pays ne permettant pas de limitations sur la durée d'une garantie tacite, il est possible que la limitation ci-dessus ne vous concerne pas.

EN AUCUN CAS, MANITOWOC OU UNE DE SES FILIALES, NE PEUT ÊTRE TENUE POUR RESPONSABLE DU CLIENT OU DE TOUTE AUTRE PERSONNE EN CAS DE DOMMAGES ACCESSOIRES, CONSÉCUTIFS OU PARTICULIERS DE TOUTE NATURE (Y COMPRIS, MAIS SANS TOUTEFOIS S'Y LIMITER, UNE PERTE DE PROFITS, DE REVENUS OU COMMERCIALE) DÉCOULANT, OU LIÉS DE QUELQUE MANIÈRE QUE CE SOIT, AU PRODUIT, À UNE RUPTURE DE LA PRÉSENTE GARANTIE LIMITÉE, OU À TOUTE AUTRE CAUSE, QUELLE QU'ELLE SOIT, BASÉE SUR LE CONTRAT, SUR LA RESPONSABILITÉ CIVILE OU TOUTE AUTRE RESPONSABILITÉ.

Certaines juridictions ne permettant pas l'exclusion ou la limitation de dommages accessoires ou consécutifs, il est possible que cette limitation ou exclusion ci-dessus ne vous concerne pas.

### APPLICATION DES LOIS NATIONALES

La présente garantie limitée vous offre des droits légaux spécifiques et il se peut que vous ayez d'autres droits qui varient d'une juridiction à une autre.

### CARTE DE GARANTIE

Pour assurer un service de garantie prompt et permanent, cette carte de garantie doit être remplie et envoyée à Manitowoc dans les trente (30) jours suivant la date de vente. Remplir la carte de garantie suivante et l'envoyer à Manitowoc.

**EC DECLARATION OF CONFORMITY**

We hereby declare that our products, ice machines and Multiplex refrigeration equipment comply with all the essential requirements of the listed EC - directives.

Manufacturer:

*Manitowoc Ice, Inc.  
2110 S. 26th Street, P.O. Box 1720  
Manitowoc, Wisconsin 54221-1720 USA*

European Distributor:

\_\_\_\_\_  
\_\_\_\_\_  
\_\_\_\_\_

Representative of Manitowoc Ice, Inc.:

Engineering Manager, (Printed name)

Representative of European Distributor:

\_\_\_\_\_

Signature

Model and Serial No.

Applied EC Directives:

Applied Standards:

EN60335-1 Safety of household and similar electrical appliances  
EN60335-2-24 Particular requirements refrigerators, food freezers and ice makers

EN55014 Electrical Motor Operated Appliances (Emissions)  
EN55014 Electro Magnetic Compatibility (Immunity)  
EN378 -1 to -4 Refrigeration Plants

Low Voltage 73/23/EEC  
EMC 89/336/EEC  
Pressure Equipment 97/23/EC



8201043  
08/25/03



© 2010 Manitowoc

Continuing product improvements may necessitate change of specifications without notice.

Part Number 00007463 11/11



Manitowoc Foodservice  
2110 South 26th Street, P.O. Box 1720  
Manitowoc, WI 54221-1720, USA  
Ph: 920-682-0161 Fax: 920-683-7589  
Visit us online at: [www.manitowocice.com](http://www.manitowocice.com)