



Manitowoc
Foodservice
Parts Manual

For more Parts Information:
<https://manitowocfsg.sysonline.com/Default.aspx>

TABLE OF CONTENTS

Manitowoc Foodservice [Updated: Sep. 30, 2013]

Manitowoc - Ice & Related

Parts Catalog

Ice Machine

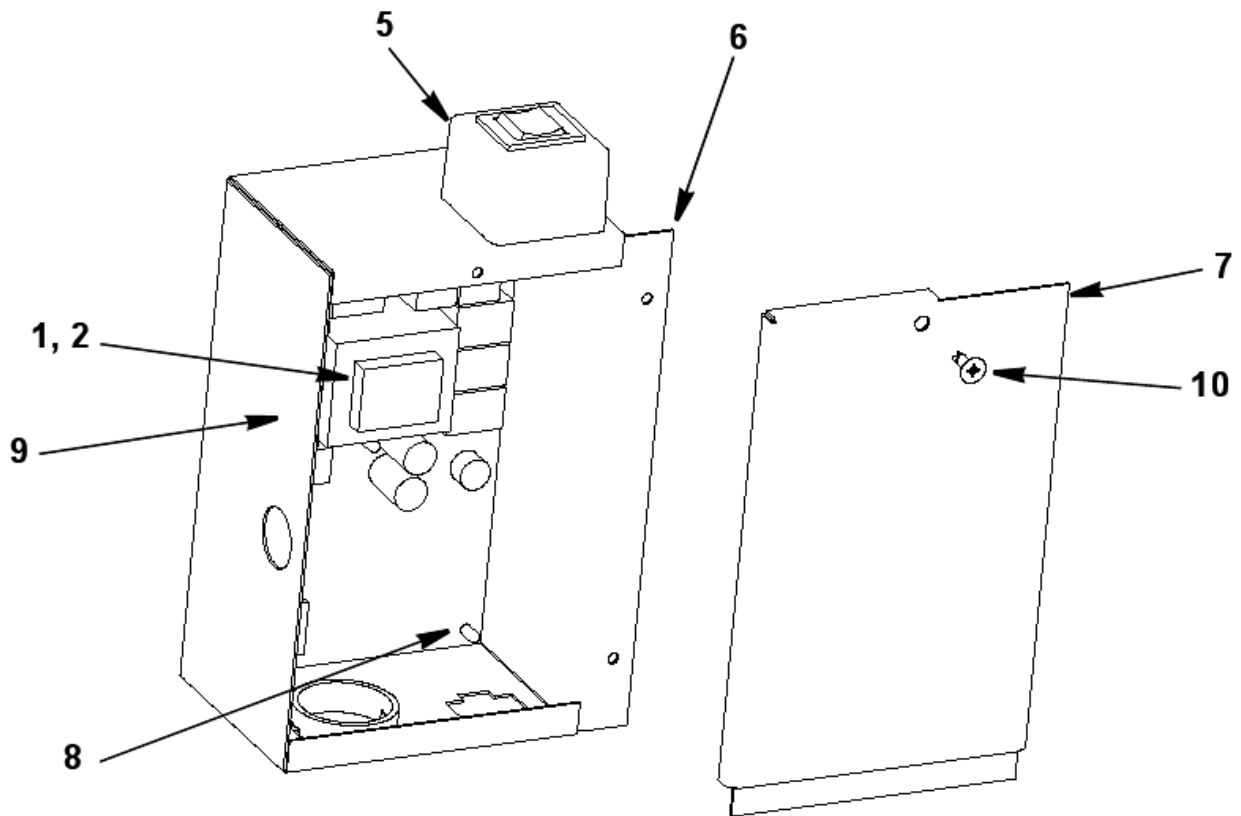
S Series

S Model - QuietCube

SU1000C, CVD1075, CVD1285

SU1024YC Head Section - Control Box Components	1
SU1024YC Evaporator Compartment - Common Components	3
SU1024YC Refrigeration Compartment	5
CVD1075 Condensing Unit	8
CVD1075 Condensing Unit - Panels	10
CVD1285 Condensing Unit	12
CVD1285 Condensing Unit - Panels	14

SU1024YC HEAD SECTION - CONTROL BOX COMPONENTS



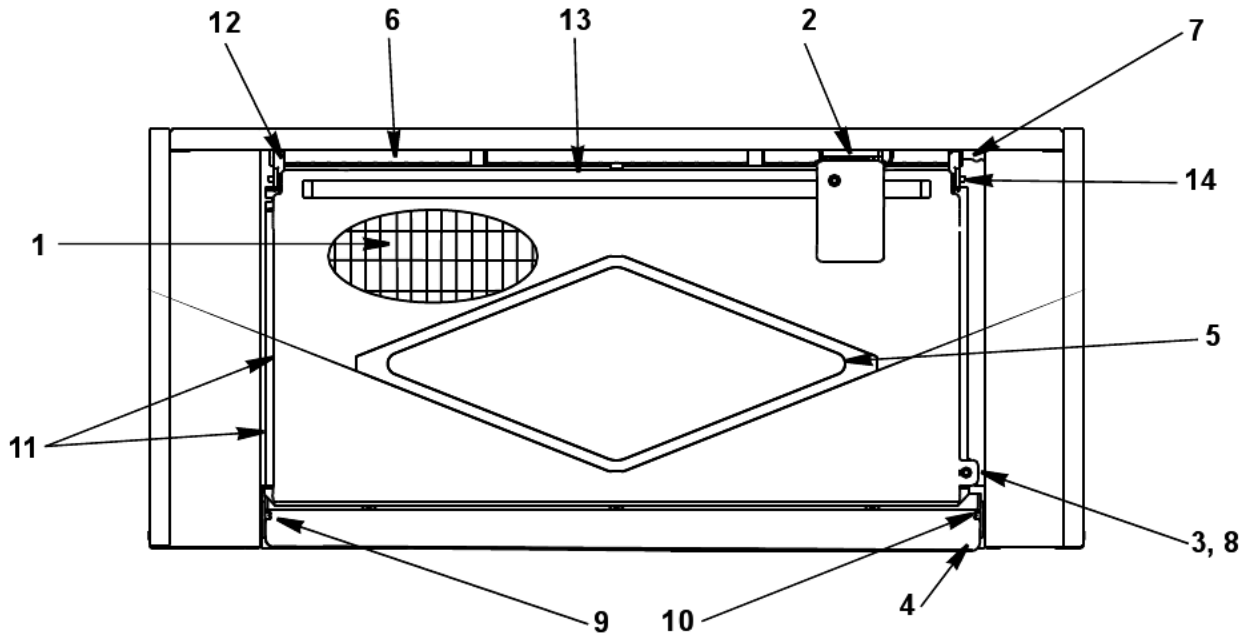
SU1000C, CVD1075, CVD1285

SU1024YC HEAD SECTION - CONTROL BOX COMPONENTS

#	PART #	DESCRIPTION	QTY	Note
1	7627823	Control Board		
2	000008240	7 Amp Fuse - Mounted on Control Board		
3		Wiring Harness Control Box		
3a	2000773	Wiring Harness - Control Box		
4		Wiring Harness From Control Box		
4a	2001123	Wiring Harness - 115-230V/60 Hz/1 ph		
5	2301343	Toggle Switch Only		
5a	2001133	Toggle Switch With Wiring Harness Attached		
5b	4000563	Toggle Switch Box		
6	6047391	Control Box		
7	7601163	Control Box Cover		
8	4302253	Control Board Mounting Supports		
9	5202169	Screw - #10-24 x 0.50" Ground		
10	5202099	Screw - #10-24 x 0.50" PHIL		

SU1000C, CVD1075, CVD1285

SU1024YC EVAPORATOR COMPARTMENT - COMMON COMPONENTS



SU1000C, CVD1075, CVD1285

SU1024YC EVAPORATOR COMPARTMENT - COMMON COMPONENTS

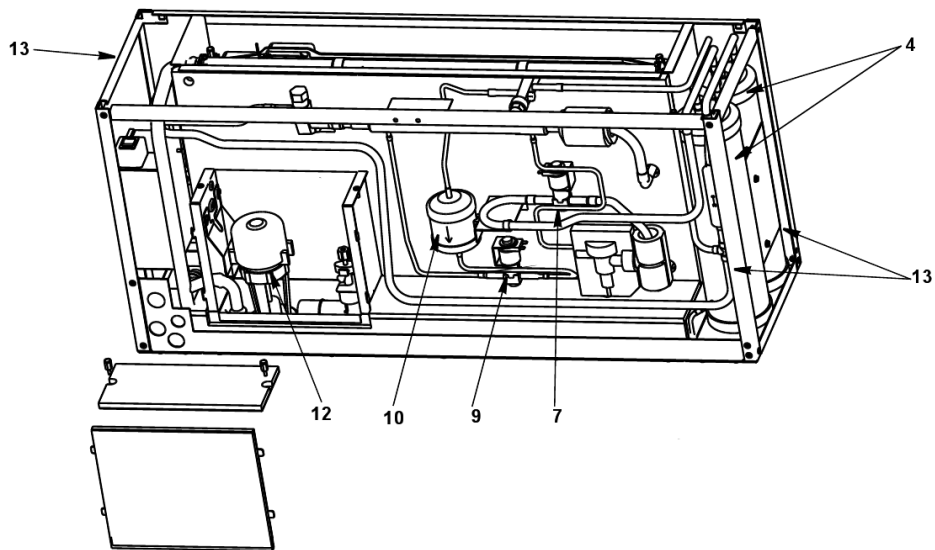
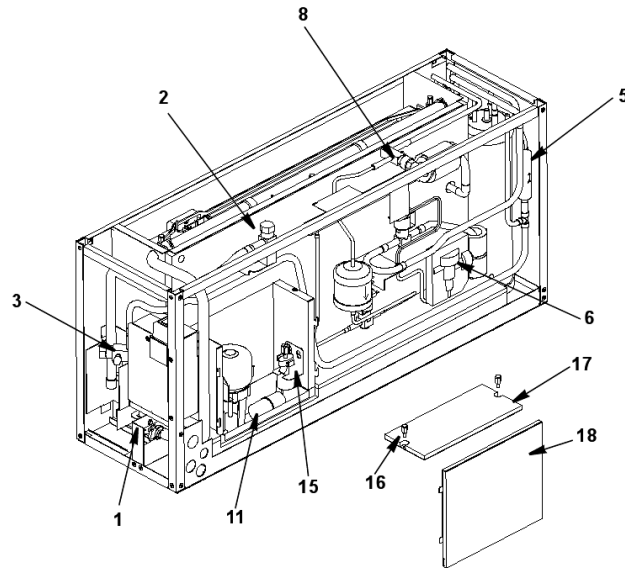
#	PART #	DESCRIPTION	QTY	Note
1		Evaporator Assembly Half Dice Cube		[1]
2	7627813	Ice Thickness Control Probe		
3	2301483	Magnetic Bin Switch		
4		Water Trough		[1]
5	4009443	Water Curtain		
6	4303223	Water Distribution Tube - 48" Models - J/Q		
7	4004123	Vinyl Tubing Water Distribution Tube to Water Pump		
8	7628023	Water Curtain Magnet and Cap		
9	5000453	Wing-head Mounting Stud		[2]
10	5650853	Receptacle		[2]
11	5202189	Screw - #10-24 x 0.75"		
12	5000013	Thumbscrew - #8-32 x 0.375"		
13	7628013	Evaporator Top Molding and Gasket Assembly		
14	7628563	Water Curtain Pin Assembly		

PART NOTES:

- [1] - No Longer Available
- [2] - Water Trough and Water Pump Mounting

SU1000C, CVD1075, CVD1285

SU1024YC REFRIGERATION COMPARTMENT



SU1000C, CVD1075, CVD1285

SU1024YC REFRIGERATION COMPARTMENT

#	PART #	DESCRIPTION	QTY	Note
1		Water Dump Valve		
1a	000001767	Water Dump Valve - 115V/60 Hz		
1b	000001768	Water Dump Valve - 208-230V/50-60 Hz		
2	8373273	Manual Shut-off Valve Liquid Line		
3	8373023	Valve Cap		
4	8250583	Receiver		
4a	3001543	Equalizer Tube		
5	8373159	Magni-Check Valve - 0.5"		
6	7600223	Expansion Valve		
6a	7600803	Expansion Valve Body Insulation Boot		
6b	4000923	Valve Insulation Boot - Bulb		
7		Cool Vapor Valve		
7a	7630051	Solenoid Valve with Coil - 115V/60 Hz		
7b	000005156	Danfoss Solenoid Valve Coil Only - 115V/60 Hz		[1]
7c	2404363	Alco Solenoid Valve Coil Only - 115V/60 Hz		
7d	7630111	Solenoid Valve with Coil - 230V/50-60 Hz		
7e	000005157	Danfoss Solenoid Valve Coil Only - 230V/50-60 Hz		[2]
7f	2404483	Alco Solenoid Valve Coil Only - 230V/50 Hz		
8	8373169	Receiver Service Valve		
8a	5650753	Caps for Refrigeration Service Valve		
9		Liquid Line Solenoid Valve		
9a	7630011	Danfoss Solenoid Valve With Coil - 115V/60 Hz		
9b	000005156	Danfoss Solenoid Valve Coil Only - 115V/60 Hz		[1]
9c	2404363	Alco Solenoid Valve Coil Only - 115V/60 Hz		
9d	7630071	Danfoss Solenoid Valve With Coil - 208-230V/50-60 Hz		
9e	000005157	Danfoss Solenoid Valve Coil Only - 230V/50-60 Hz		[2]
9f	2404483	Alco Solenoid Valve Coil Only - 230V/50 Hz		
10	8930279	Drier		
11	8369049	Float Valve Assembly		
11a	5650729	Compression Nut		
12		Water Pump		
12a	7625523	Water Pump - 115V/60 Hz		
12b	1480279	Water Pump - 208-230V/50-60 Hz		
12c	2078103	Water Pump Electrical Wire Lead		
13	6047211	Side Frame		
14	3000813	Copper Bulb Strap		
14a	3000503	Strap - Expansion Valve Bulb - 0.5"		
15	6047281	Float Valve Bracket		
16	5305123	Thumbscrew SS - #8-32 x 0.44"		
17		Pump Chimney Cover		[3]
18		Pump Chimney Back Panel		[3]

SU1000C, CVD1075, CVD1285

SU1024YC REFRIGERATION COMPARTMENT

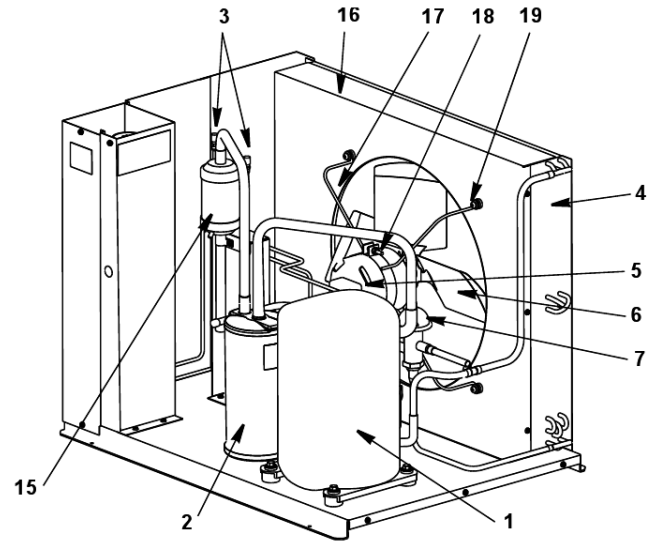
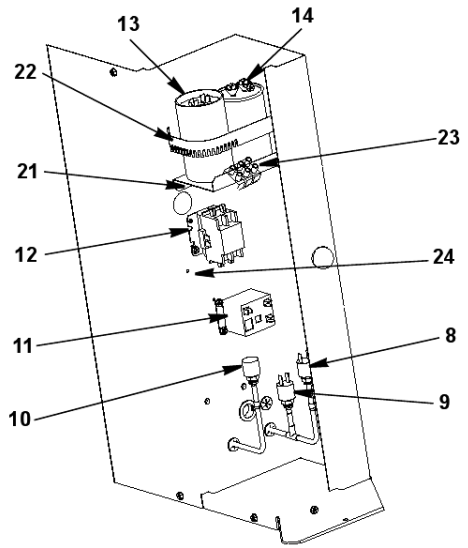
#	PART #	DESCRIPTION	QTY	Note
---	--------	-------------	-----	------

PART NOTES:

- [1] - \pages from 000005156_02.jpg" width=280 height=256>
- [2] - \pages from 000005156_02.jpg" width=266 height=183>
- [3] - No Longer Available

SU1000C, CVD1075, CVD1285

CVD1075 CONDENSING UNIT



RESOURCE NOTES:

There are two condensing units available for the SU1000C, please verify your condensing unit.

SU1000C, CVD1075, CVD1285

CVD1075 CONDENSING UNIT

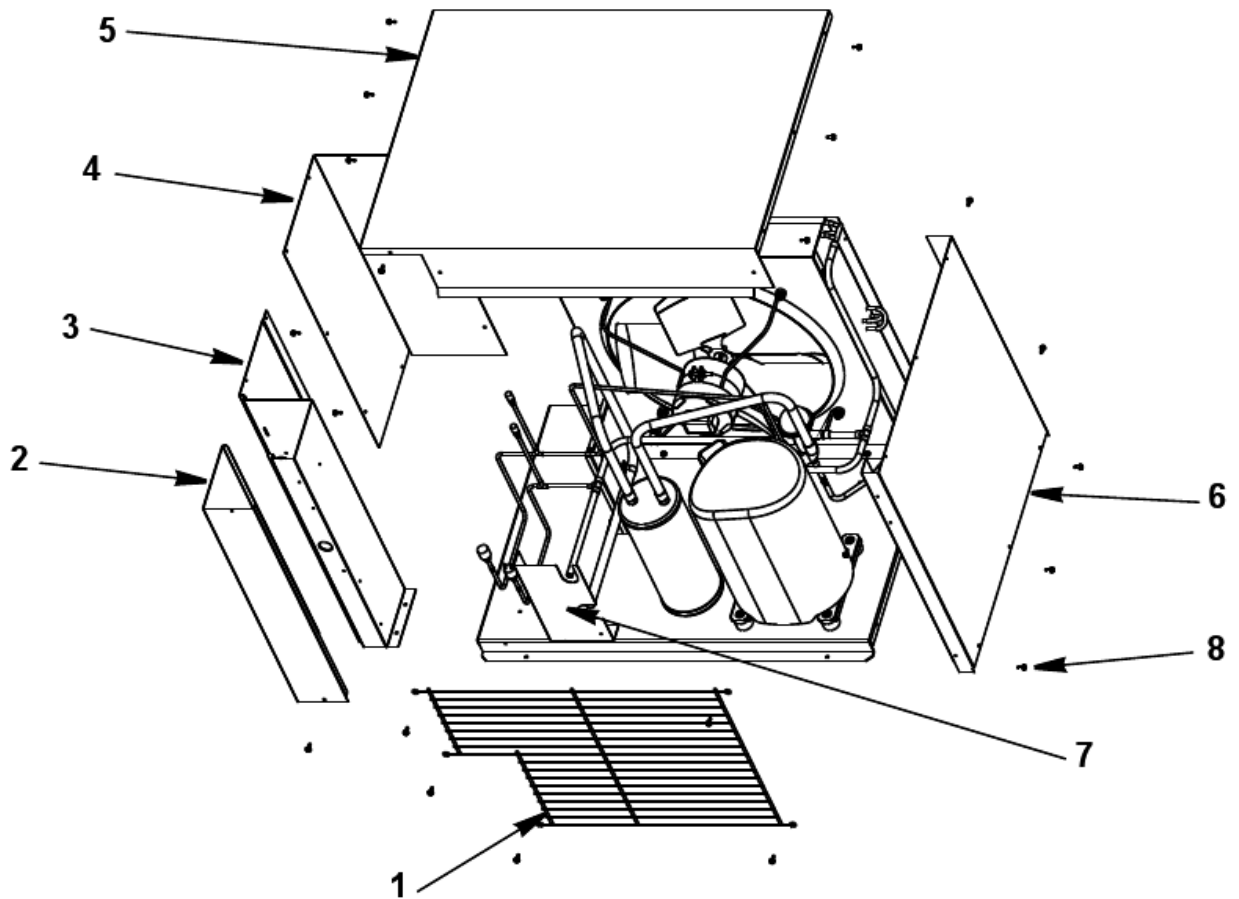
#	PART #	DESCRIPTION	QTY	Note
1		Compressor		
1a	7600023	Compressor 208-230V/60 Hz/1 Ph		
1b	7600033	Compressor 208-230V/60 Hz/3 Ph		
1c	7600043	Compressor 208-230V/50 Hz/1 Ph		
2	000007280	Suction Accumulator		
3	8373253	Access Valve		
4	8851393	Air-cooled Condenser		
5		Fan Motor		
5a	2413153	Compressor - Bristol - 208-230V/60 Hz/1 Ph		
5b	2413183	Compressor - Bristol - 208-230V/50 Hz/1 Ph		
6	2416113	Fan Blade		
7	000000973	Head Pressure Control Valve		
8	2001263	Fan Cycling Control - 200-250 psig		[1]
9	2001243	High Pressure Cut-out Control		
10	2002229	Low Pressure Cut-out Control		
11	2007559	Start Potential Relay - 50-60 Hz/1 Ph		
12	2410353	Contactora 50-60 Hz/1 Ph		
12a	2006619	Contactora - 230V/60 Hz/3 Ph		
13	8503853	Start Capacitor - 50-60 Hz/1 Ph		
13a	8505823	Start Capacitor 50 Hz/1 Ph		
14	2010133	Run Capacitor - 115-230V/50-60 Hz/1 Ph		
14a	000001395	Run Capacitor - 208-230V/50-60 Hz/1 Ph		
15	8250549	Suction Line Filter		
16	6034491	Fan Shroud		
17	3006823	Fan Motor Mounting Bracket		
18	5033589	Mounting - Screw		
18a	5545119	Mounting - Lockwasher		
18b	5429529	Mounting - Hexnut		
18c	5033589	Mounting - Screw		
19		Fan Bracket Mounting Screw		
19a	5545119	Mounting - Lockwasher		
19b	5573059	Mounting - Flatwasher		
19c	5429559	Mounting - Rubber Wellnut		
20	5202069	Screw - #10-24 x 0.50" HEX		
21	6034981	Capacitor Mounting Bracket		
22	6021601	Capacitor Mounting Strap		
23	2006143	Terminal Block - 50 Hz - 3 Pole		
24	5202169	Screw - #10-24 x 0.50" Ground		

PART NOTES:

[1] - \pages from 200126_09.jpg" width=150 height=306>

SU1000C, CVD1075, CVD1285

CVD1075 CONDENSING UNIT - PANELS



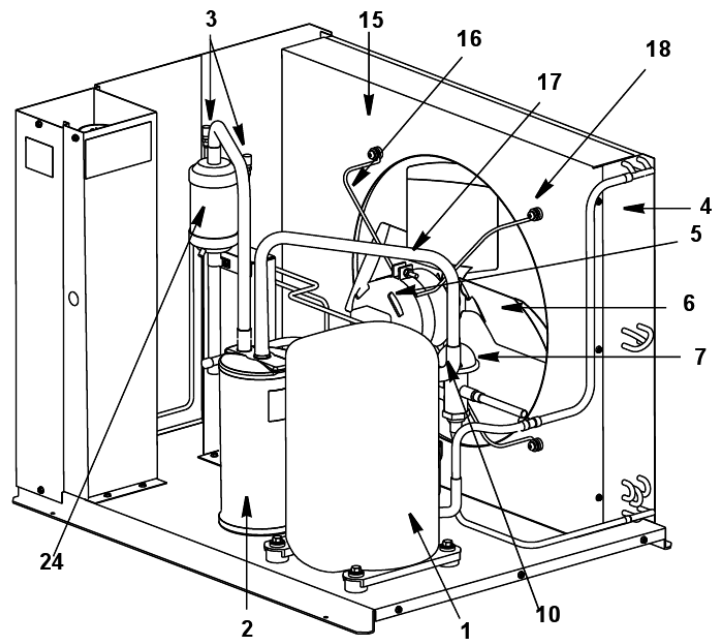
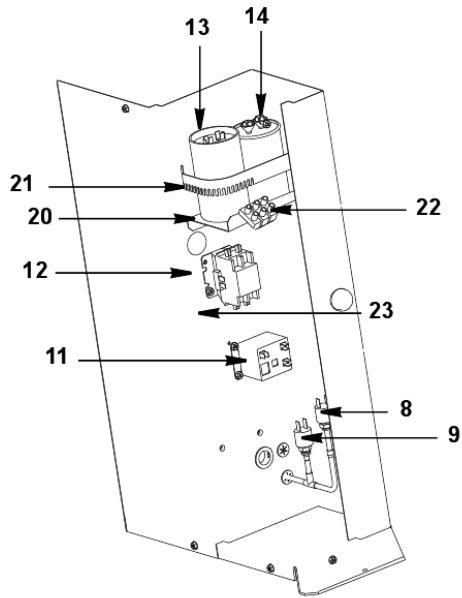
SU1000C, CVD1075, CVD1285

CVD1075 CONDENSING UNIT - PANELS

#	PART #	DESCRIPTION	QTY	Note
1	3406893	Condenser Fan Guard		
2	6034771	Control Box Cover		
3	6037071	Control Box Panel		
4	6037291	Left Side Panel		
5	6034751	Cover Top		
6	6034701	Right Side Panel		
7	6042261	Condensing Unit Tube Shield		
8	5202069	Screw - #10-24 x 0.50" HEX		
9	000000768	Cartoning		

SU1000C, CVD1075, CVD1285

CVD1285 CONDENSING UNIT



SU1000C, CVD1075, CVD1285

CVD1285 CONDENSING UNIT

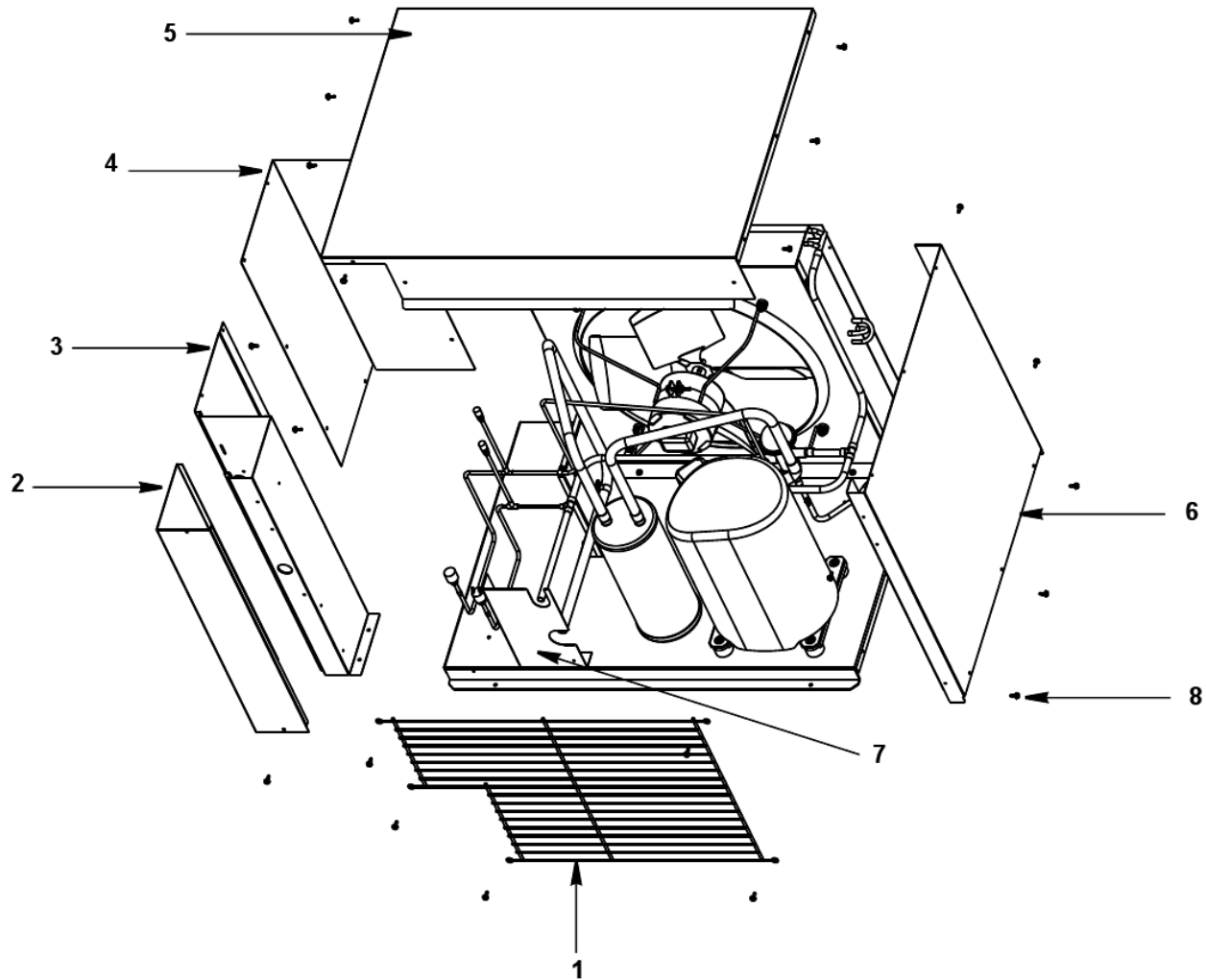
#	PART #	DESCRIPTION	QTY	Note
1		Compressor		
1a	7603213	Compressor - Copeland - 208-230V/60 Hz/1 Ph		
1b	7603223	Compressor - Copeland - 208-230V/60 Hz/3 Ph		
1c	7603233	Compressor - Copeland - 230V/50 Hz/1 Ph		
2	000007281	Suction Accumulator		
3	8373253	Access Valve		
4	8851393	Air-cooled Condenser		
5		Fan Motor		
5a	2000189	Fan Motor - 208-230V/60 Hz/1-3 Ph		
5b	2000583	Fan Motor - 208-230V/50 Hz/1 Ph		
6	2416113	Fan Blade		
7	000001982	Head Pressure Control Valve		
8	2001263	Fan Cycling Control - 200-250 psig		[1]
9	2001243	High Pressure Cut-out Control		
10	2002229	Low Pressure Cut-out Control		
11	2007559	Start Potential Relay - 50-60 Hz/1 Ph		
12	2006609	Contactora - 208-230V/50-60 Hz/1 Ph		
12a	2006619	Contactora - 230V/60 Hz/3 Ph		
13	8503853	Start Capacitor - 50-60 Hz/1 Ph		
14	2010133	Run Capacitor - 115-230V/50-60 Hz/1 Ph		
15	6034491	Fan Shroud		
16	3006823	Fan Motor Mounting Bracket		
17	5033589	Mounting - Screw		
17a	5545119	Mounting - Lockwasher		
17b	5429529	Mounting - Hexnut		
18	5032389	Fan Bracket Mounting Screw		
18a	5545119	Mounting - Lockwasher		
18b	5573059	Mounting - Flatwasher		
18c	5429559	Mounting - Rubber Wellnut		
19	5202069	Screw - #10-24 x 0.50" HEX		
20	6034981	Capacitor Mounting Bracket		
21	6021601	Capacitor Mounting Strap		
22	2006143	Terminal Block - 50 Hz - 3 Pole		
23	5202169	Screw - #10-24 x 0.50" Ground		
24	8250549	Suction Line Filter		
25	2007619	Copeland Plug Assembly Wiring Harness, 230V/50-60Hz/1-3 Ph		

PART NOTES:

[1] - \pages from 200126_09.jpg" width=150 height=306>

SU1000C, CVD1075, CVD1285

CVD1285 CONDENSING UNIT - PANELS



RESOURCE NOTES:

There are two condensing units available for the SU1000C, please verify your condensing unit.

SU1000C, CVD1075, CVD1285

CVD1285 CONDENSING UNIT - PANELS

#	PART #	DESCRIPTION	QTY	Note
1	3406893	Condenser Fan Guard		
2	6040171	Control Box Cover		
3	6037071	Control Box Panel		
4	6037291	Left Side Panel		
5	6034751	Cover Top		
6	6034701	Right Side Panel		
7	6042261	Condensing Unit Tube Shield		
8	5202069	Screw - #10-24 x 0.50" HEX		
9	000000768	Cartoning		