



# MARKET FORGE

## 1200 ELECTRIC COUNTERTOP TILTING SKILLET PARTS AND SERVICE MANUAL

**EFFECTIVE SEPTEMBER 22, 2014**

Superseding All Previous Parts Lists.

The Company reserves the right to make substitution in the event that items specified are not available.

ERRORS: Descriptive and/or typographic errors are subject to correction.

---

**MARKET FORGE**

Telephone: (802) 658-6600 Fax: (802) 860-3732  
[www.marketforge.com](http://www.marketforge.com)

*P/N 14-0388 Rev A (9/14)*

# TABLE OF CONTENTS

TROUBLESHOOTING.....	2
WIRING DIAGRAM.....	3
ILLUSTRATED PARTS LIST .....	4

## TROUBLESHOOTING

### UNIT WILL NOT OPERATE:

1. Power supply not in "ON" position.
2. Defective "THERMOSTAT" or "ELEMENTS".

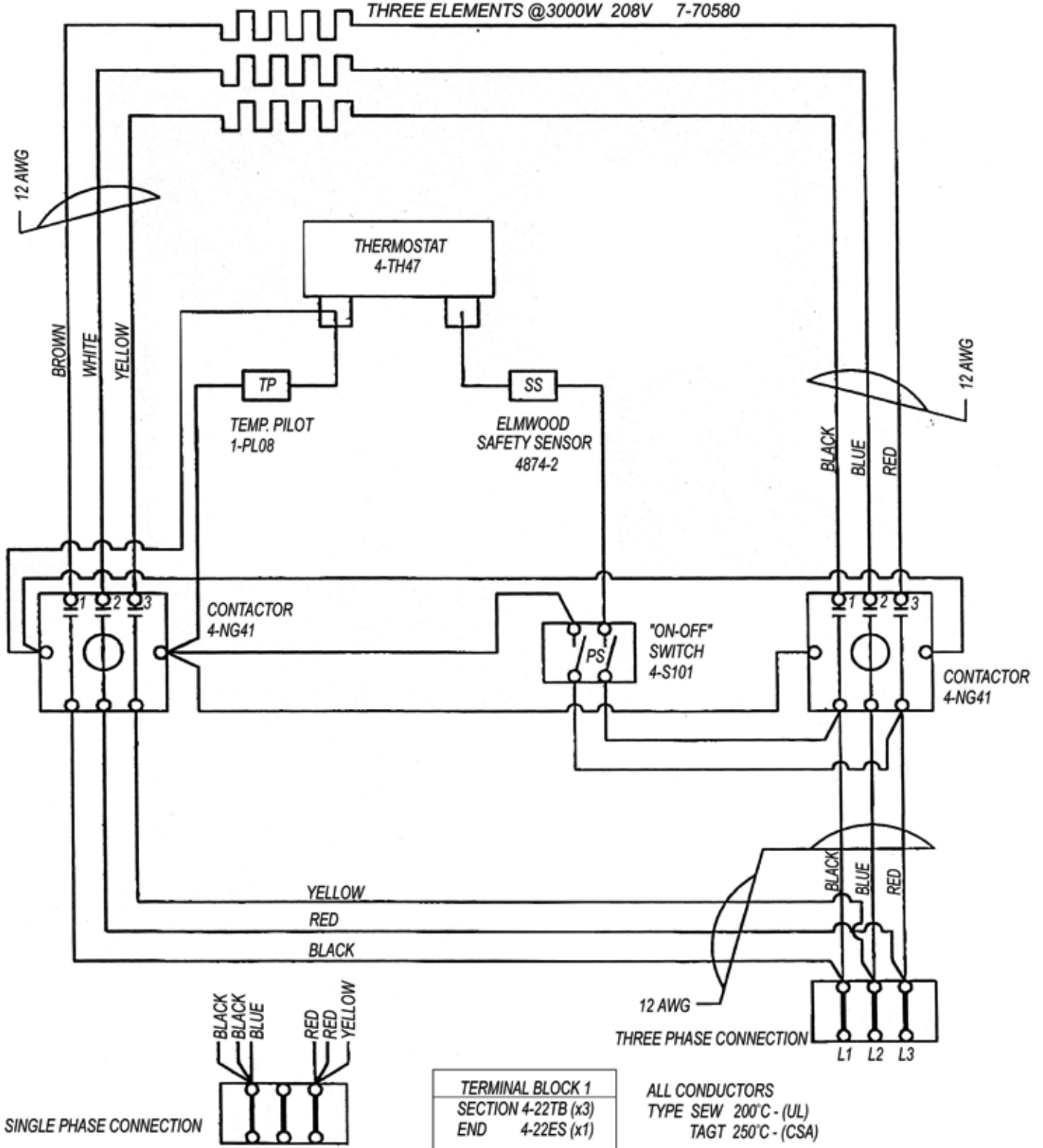
### PAN DIFFICULT TO OPERATE:

1. Tilt Know not disengages.
2. Dirt in oilite bearings causing it to bind.

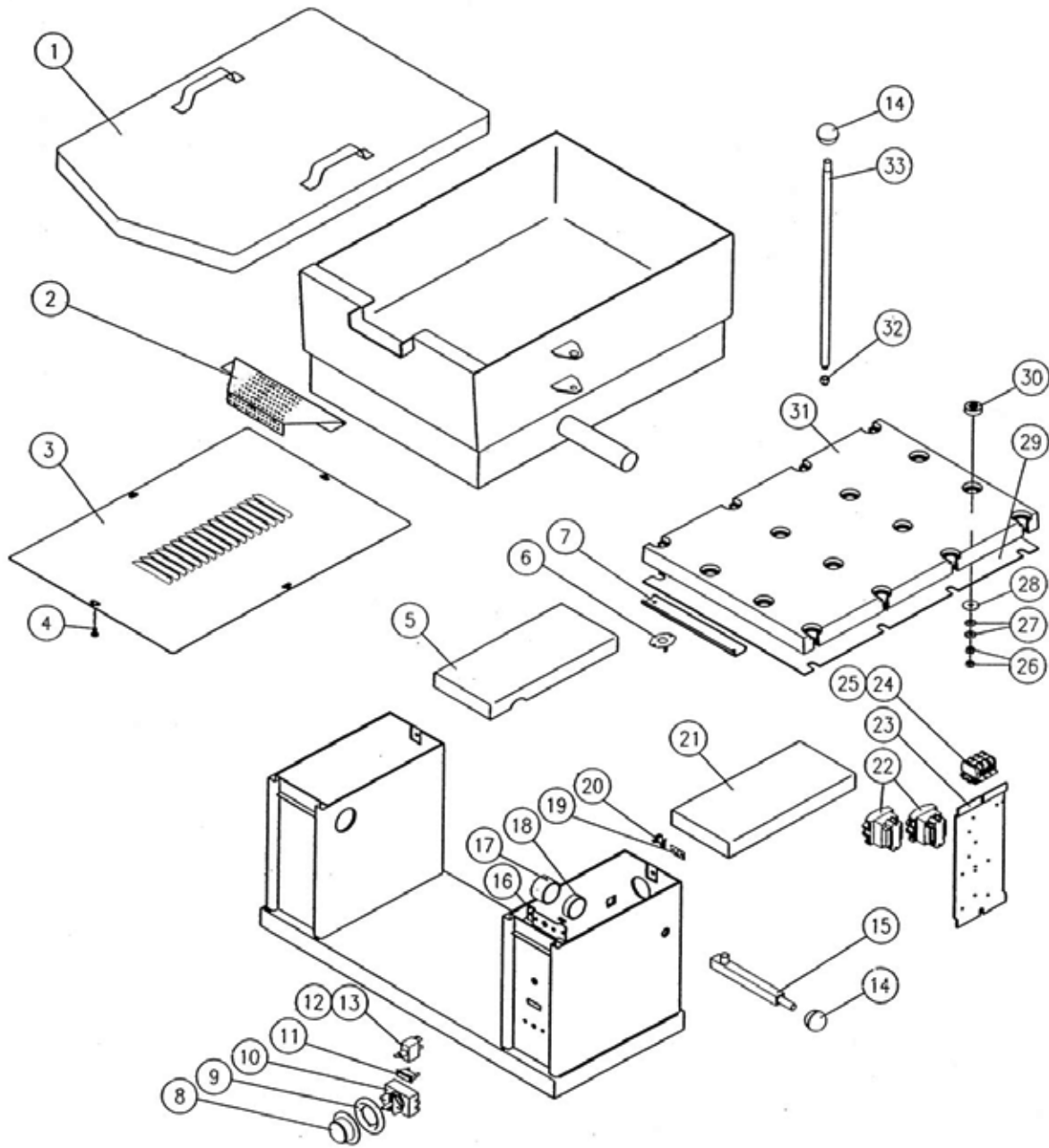
*NOTE: Never grease or oil the pivot bearings as this may cause problems with tilting. Bearings are oilite and never require lubrication.*

# WIRING DIAGRAM

THREE ELEMENTS @3000W 208V 7-70580



# ILLUSTRATED PARTS LIST



ITEM	PART NO.	DESCRIPTION	QTY.
1	97-5756	LIFT OFF COVER	1
2	97-5850	STRAINER	1
3	97-5777	BOTTOM COVER	1
4	97-5736	SCREW 10-32 x ½	4
5	97-5754	CONSOLE COVER	1
6	97-5789	HI-LIMIT	1
7	97-5769	THERMOSTAT BULB CLAMP	1
8	97-5786	DIAL (F)	1
	97-5787	DIAL (C)	1
9	97-5012	BEZEL	1

# ILLUSTRATED PARTS LIST

ITEM	PART NO.	DESCRIPTION	QTY.
10	97-5107	THERMOSTAT	1
11	97-5419	PILOT LIGHT	1
12	97-5011	POWER SWITCH	1
13	97-5558	RUBBER BOOT	1
14	97-5337	KNOB	2
15	97-5772	REST BAR	1
16	97-5779	THERMOSTAT MOUNTING BRACKET	1
17	97-5846	BRONZE BUSHING	1
	97-5623	BUSHING HOUSING	1
18	97-5650	BUSHING	1
	97-5623	BUSHING HOUSING	1
19	97-5848	EARTH ID TAG	1
20	97-5052	GROUND LUG	1
21	97-5755	CONSOLE COVER	1
22	97-5753	CONTACTOR 208, 240, 480 V	2
	NPN	CONTACTOR 380, 416, 220/380, 240/416 V	1
23	97-5849	COMPONENT MOUNTING PLATE	1
24	10-6963	TERMINAL BLOCK	3
	10-6963	TERMINAL BLOCK 240/416, 220/380 V	4
25	10-6962	END SECTION	1
26	97-5739	HEX NUT 5/16 – 18	32
27	97-5863	BELLVILLE WASHER	32
28	97-5867	FLAT WASHER 5/16 x 1" OD	16
29	97-5835	INSULATION	1
30	97-5764	SPACER	16
31	97-5041	ELEMENT BLOCK 208 V, 9 kW	1
	97-5043	ELEMENT BLOCK 240 V, 9 kW	1
	97-5839	ELEMENT BLOCK 220/380 V	1
	97-5840	ELEMENT BLOCK 480 V	1
	97-5841	ELEMENT BLOCK 230 V	1
32	97-5116	ACORN NUT	1
33	97-5763	TILT HANDLE	1
*	97-5616	TRANSFORMER 416 V	1
	97-5612	TRANSFORMER 380 V	1
	97-5613	TRANSFORMER 480 V	1
*	97-5795	FUSE (1 AMP, 600 V), 380, 416, 480 V)	2
*	97-5359	FUSE HOLDER (380, 416, 480 V)	2
*	97-5771	FAUCET BRACKET (OPTIONAL)	1

\* Accessory      \*\* Welded-In