



MARKET FORGE

SIRIUS II GAS BOILERLESS CONVECTION STEAMERS PARTS AND SERVICE MANUAL

MODELS

Sirius II-4
Sirius II-6
Sirius II-8
Sirius II-10
Sirius II-12

EFFECTIVE MAY 4, 2017

Superseding All Previous Parts Lists.

The Company reserves the right to make substitution in the event that items specified are not available.

ERRORS: Descriptive and/or typographic errors are subject to correction.

MARKET FORGE

Telephone: (802) 658-6600 Fax: (802) 860-3732

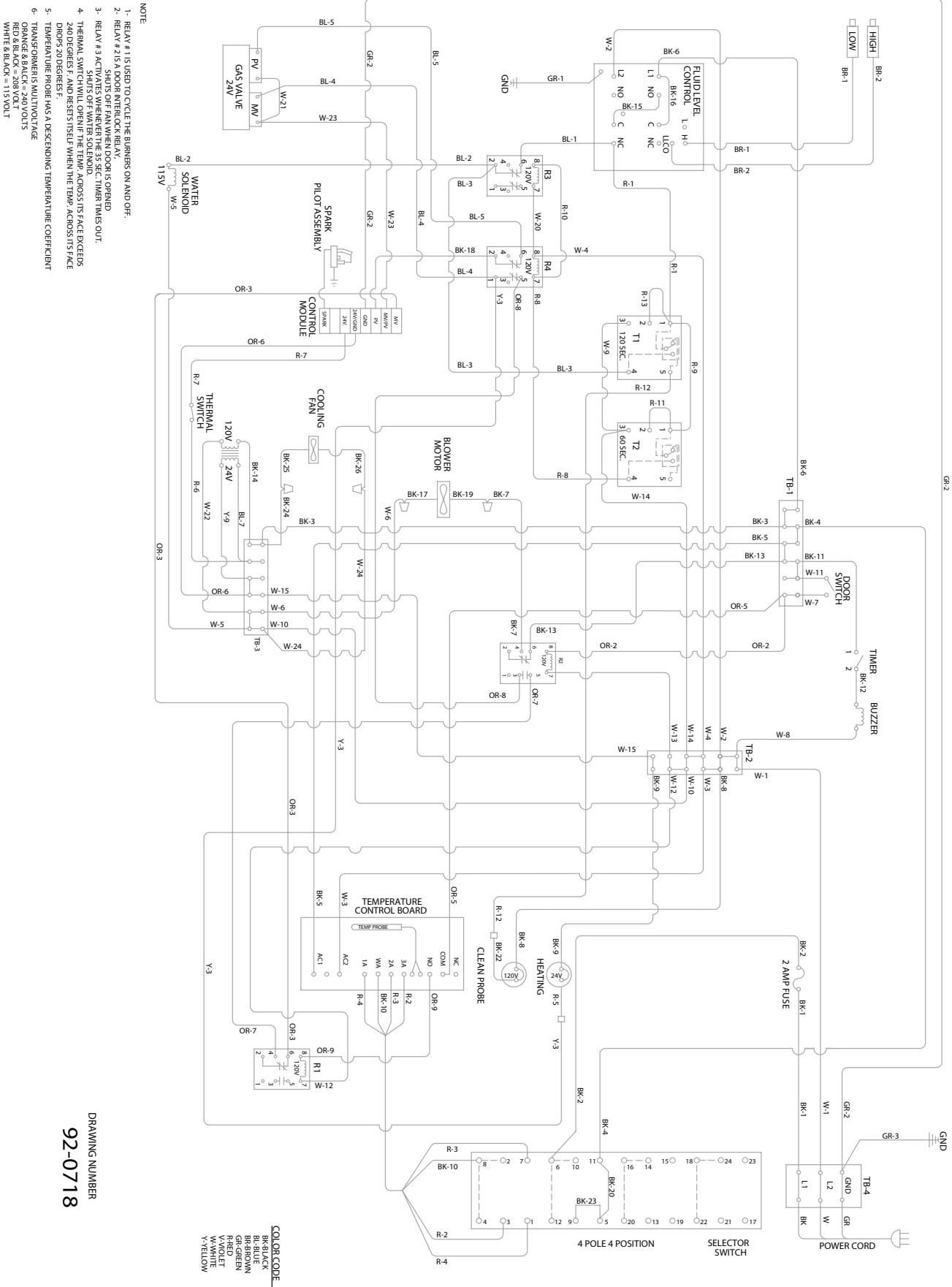
www.marketforge.com

P/N 14-0286 Rev E

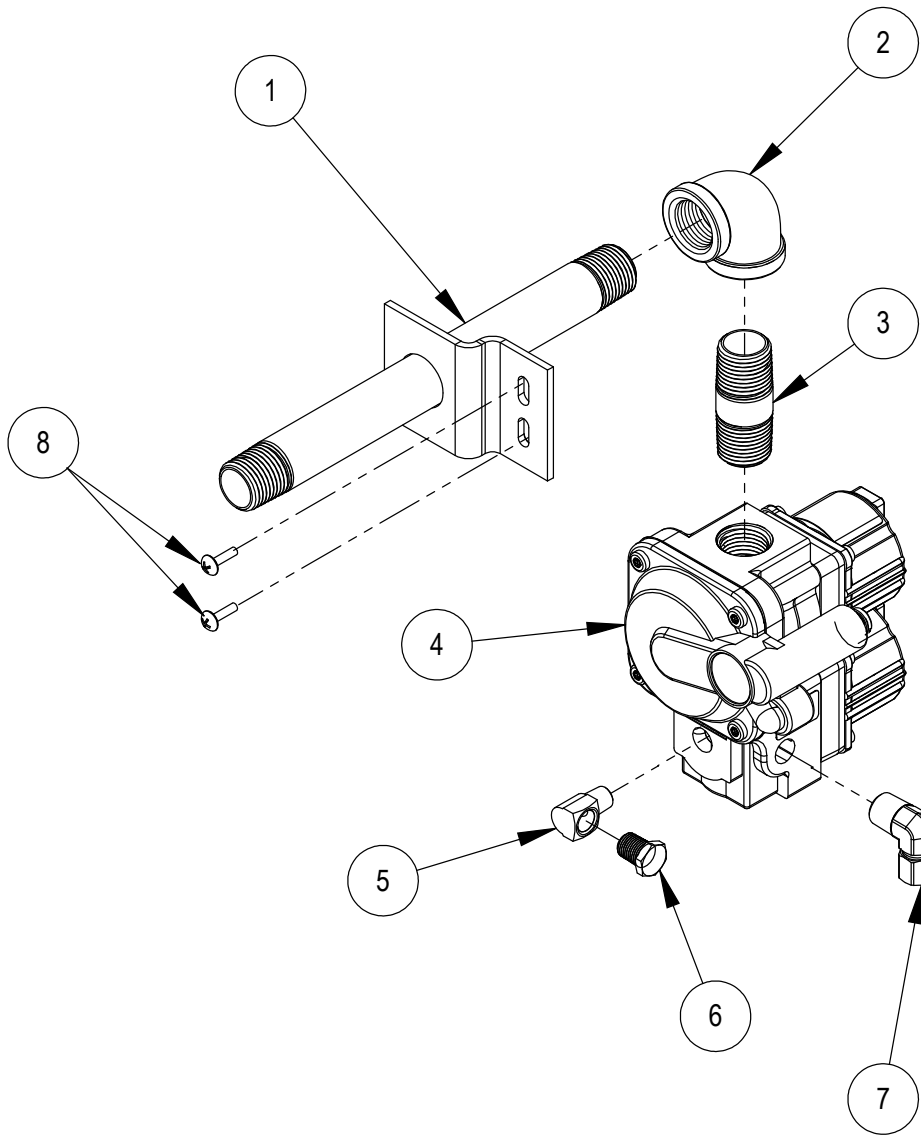
TABLE OF CONTENTS

WIRING DIAGRAM.....	3
GAS VALVE ASSEMBLY.....	4
BURNER ASSEMBLY.....	5
DOOR ASSEMBLY.....	6
BLOWER DRIVE SYSTEM.....	8
BLOWER MOTOR ASSEMBLY.....	9
ELECTRICAL COMPONENTS.....	10
CONTROL MODULE.....	12
EXTERIOR COMPONENTS.....	14
INTERIOR COMPONENTS.....	16
CAVITY PLUMBING COMPONENTS.....	18
DRAIN LINES & HEAT EXCHANGER.....	20
WATER INLET AND OUTLET.....	21

WIRING DIAGRAM

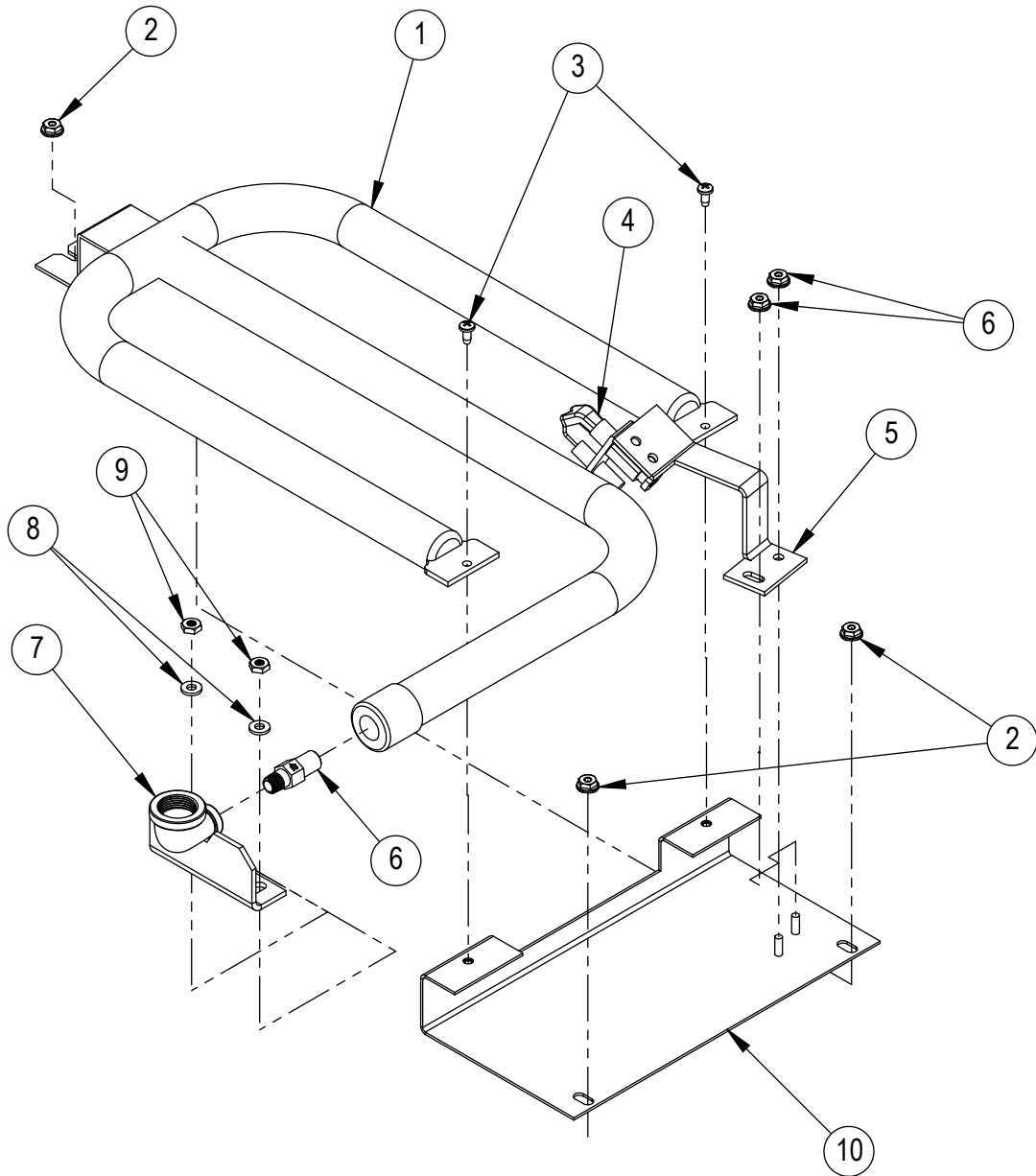


GAS VALVE ASSEMBLY



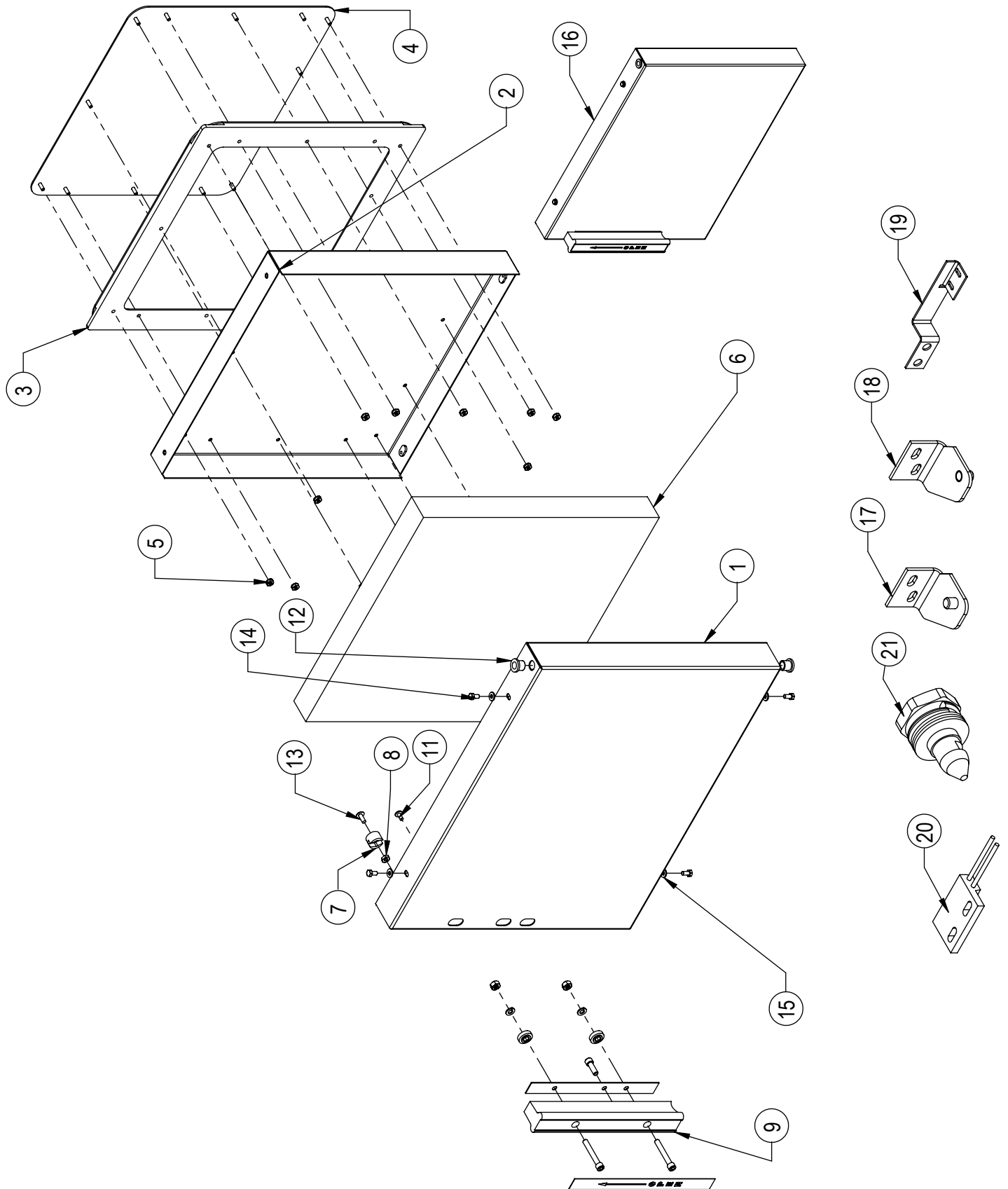
ITEM	PART	DESCRIPTION	QTY
1	92-0748	ASSY, GAS PIPE INLET	1
2	92-0019	ELBOW, 1/2" FNPT BLK	1
3	92-0112	NIPPLE, 1/2" NPT X 2" BLK	1
4	92-0101	GAS VALVE	1
5	08-4824	ELBOW, STREET, 1/8" NPT	1
6	92-0211	PLUG, 1/8" NPT, SYS	1
7	10-3918	ELBOW, 1/4" COMP X 1/4" NPT	1
8	R7329	SCREW, 8-32 X 1/2, PAN HD	2

BURNER ASSEMBLY



ITEM	PART	DESCRIPTION	QTY
1	92-0277	ASSY, BURNER	1
2	52378	NUT, 8-32, SERRATED FLANGED	5
3	20785	SCREW, 8-32 X 3/8", SELF TAPPING	2
4	94-5133	ASSY, PILOT IGNITOR	1
5	92-0670	BRACKET, PILOT	1
6	92-0735	ORIFICE, #42	1
7	92-0674	BRACKET, ORIFICE	1
8	M1820	WASHER, FLAT, #10	2
9	M1639	NIT, #10-32, HEX S/S	2
10	92-0669	BRACKET, BURNER	1

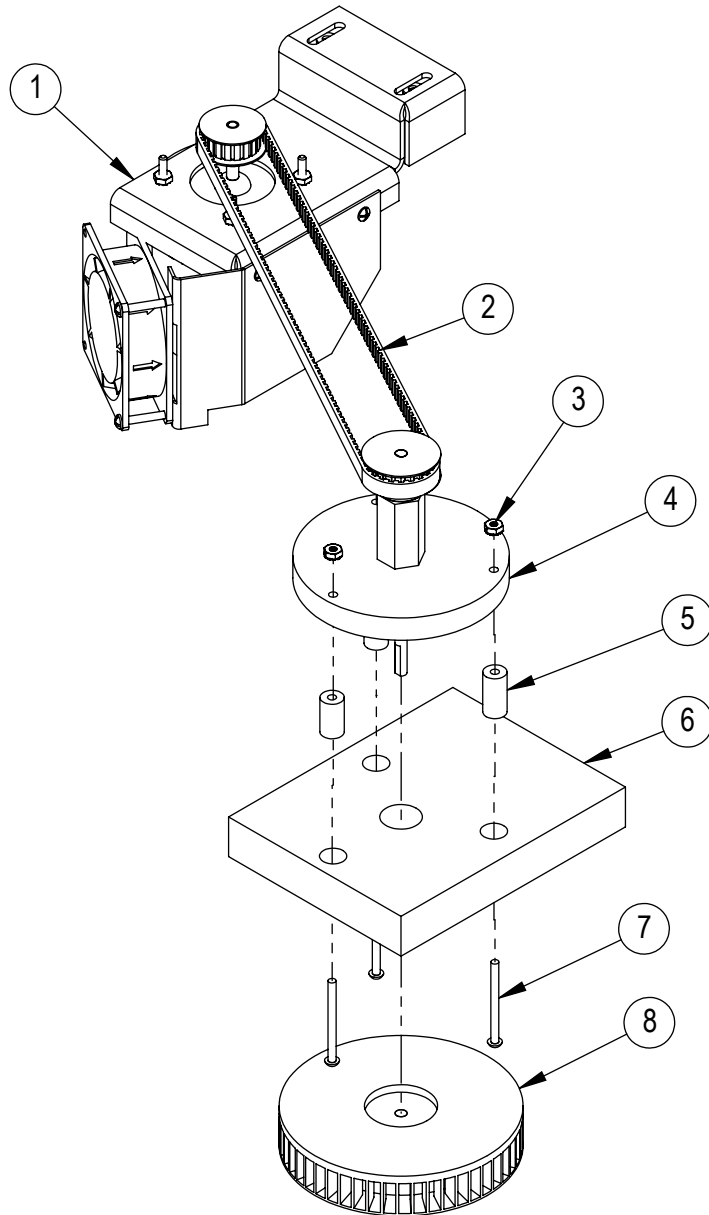
DOOR ASSEMBLY



DOOR ASSEMBLY

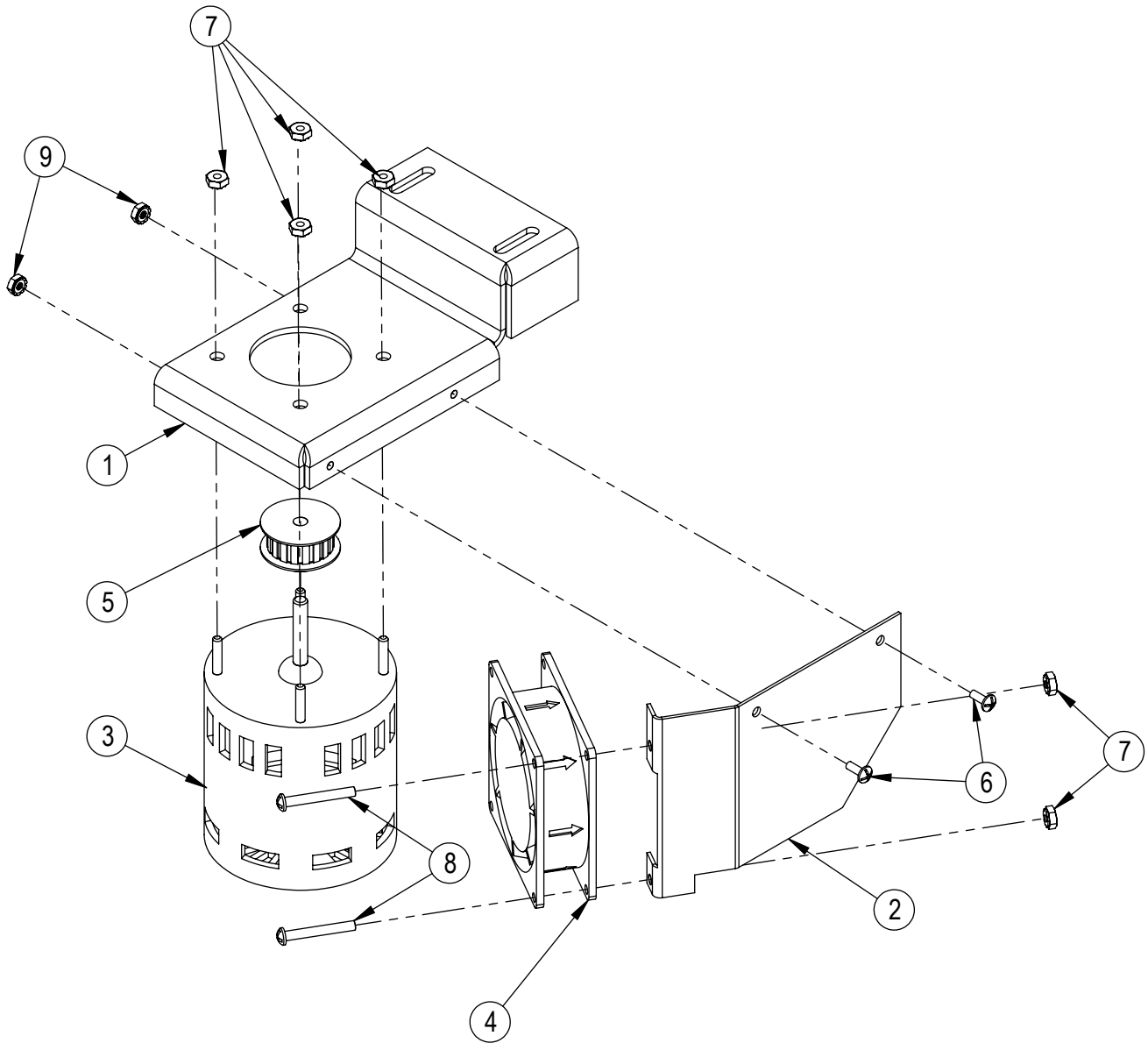
ITEM	PART	DESCRIPTION	QTY
1	92-0758	OUTER DOOR, 4 PAN STEAMER	1
	92-0754	OUTER DOOR, 6 PAN STEAMER	1
2	92-0759	ASSY, DOOR, INNER, 4 PAN STEAMER	1
	92-0755	ASSY, DOOR, INNER, 6 PAN STEAMER	1
3	92-0702	GASKET, 4 PAN STEAMER	1
	92-0703	GASKET, 6 PAN STEAMER	1
4	92-0761	RETAINER, GASKET, 4 PAN STEAMER	1
	92-0757	RETAINER, GASKET, 6 PAN STEAMER	1
5	51132	NUT, KEPS, #8-32 ZINC	13
6	14-0008	INSULATION, DOOR, 4 PAN STEAMER	1
	14-0009	INSULATION, DOOR, 6 PAN STEAMER	1
7	92-0067	MAGNET, DOOR SWITCH	1
8	4957	NUT, HEX, 10-24	1
9	97-6432	DOOR HANDLE	1
10	97-6232	LATCH ASSY	1
11	39914	SCREW, #8032 x 3/8 TRUSS PH	2
12	08-2712	BEARING, FLANGED	2
13	16384	10-24 X .500 TRUSS HEAD MACH SCREW	1
14	M0471	HEX HEAD CAP SCREW, #10-24	4
15	M1820	WASHER, FLAT, #10	4
16	92-0760	DOOR ASSY, COMPLETE, 4 PAN STEAMER	1
	92-0756	DOOR ASSY, COMPLETE, 6 PAN STEAMER	1
17	92-0744	HINGE ASSY, BOTTOM	1
18	92-0745	HINGE ASSY, TOP	1
19	91-7690	BRACKET, DOOR SWITCH	1
20	08-6308	SWITCH, PROXIMITY	1
21	97-6178	STRIKER, DOOR	

BLOWER DRIVE SYSTEM



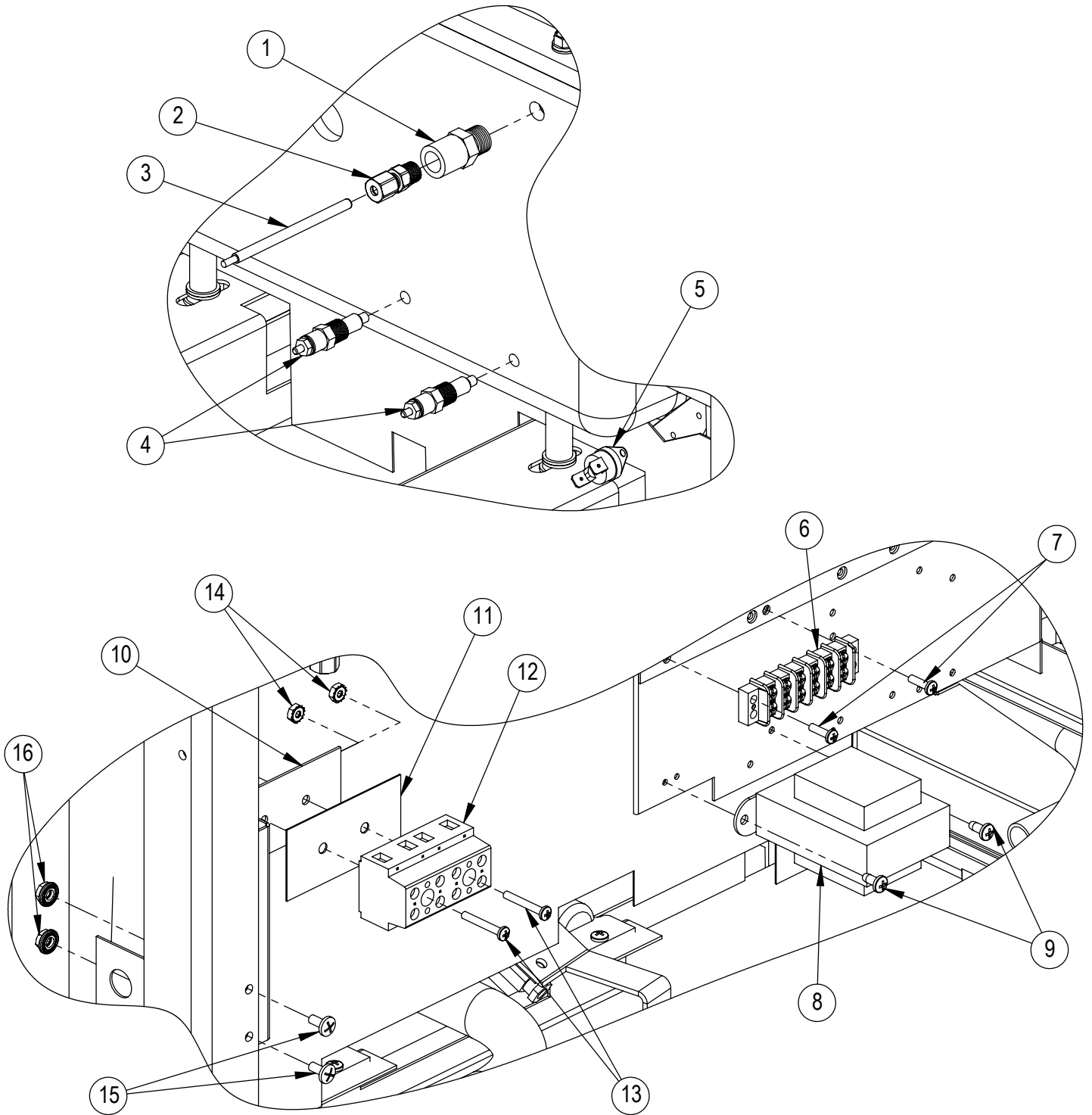
ITEM	PART	DESCRIPTION	QTY
1	92-0675	BLOWER MOTOR ASSY, 120V	1
2	08-1414	BELT DRIVE	1
3	51132	NUT, KEPS, 8-32 ZINC	2
4	92-0609	BLOWER DRIVE SUPPORT	1
5	92-0055	STANDOFF, 1/2 X 1"	1
6	92-0676	INSULATION, STELLAR BLOWER DRIVE	1
7	21343	SCREW, 8-32 X 2, S/S RND HD	3
8	92-0016	WHEEL, BLOWER	1

BLOWER MOTOR ASSEMBLY



ITEM	PART	DESCRIPTION	QTY
1	92-0604	BRACKET, MOTOR MOUNT	1
2	92-0699	BRACKET, FAN MOUNT	1
3	08-6904	MOTOR, 1/70HP, 115V	1
4	08-7978	FAN, AXIAL, 120V	1
5	08-5600	DRIVE PULLEY	1
6	92-0091	SCREW, 6-32 X 3/8, PAN, S/S	2
7	10-2571	NUT, 8-32 KEPS, S/S	6
8	10-1865	SCREW, 6-32 X 1.25, PAN, S/S	2
9	08-3863	LOCK NUT, 6-32	2

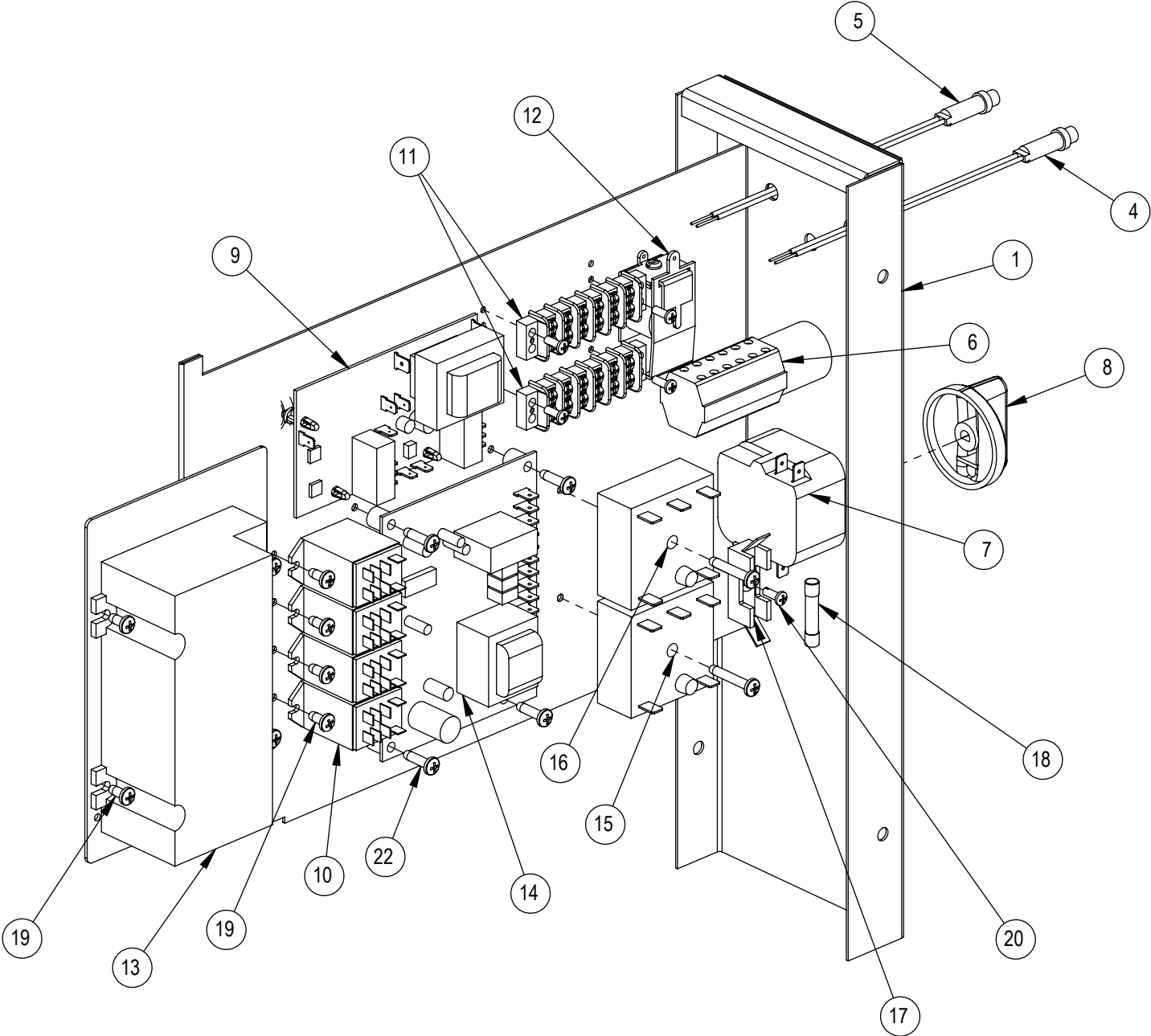
ELECTRICAL COMPONENTS



ELECTRICAL COMPONENTS

ITEM	PART	DESCRIPTION	QTY
1	92-0086	BUSHING, 1/4" NPT X 1/8" FNPT	1
2	92-0085	MALE CONNECTOR, 1/8" NPT X 3/16" COMP	1
3	92-0078	PROBE, THERMISTOR	1
4	92-0054	SENSE, WATER LEVEL	2
5	92-0079	THERMOSTAT, SNAP DISK, 240°F	1
6	92-0140	TERMINAL STRIP, 6 POLE	1
7	1918	SCREW, MACHINE, #6-32 X 1/2", PAN HD	2
8	92-0012	TRANSFORMER	1
9	20785	SCREW, #8-32 X 3/8", SELF TAP	2
10	92-0048	BRACKET, WATER INLET	1
11	92-0712	INSULATOR STRIP	1
12	92-0069	TERMINAL BLOCK	1
13	16475	SCREW, #6-32 X 1", PAN HD	2
14	M3367	NUT, KEPS, #6-32	2
15	39914	SCREW, #8-32 X 3/8", TRUSS HD	2
16	52378	NUT, #8-32 SERRATED FLANGED	2

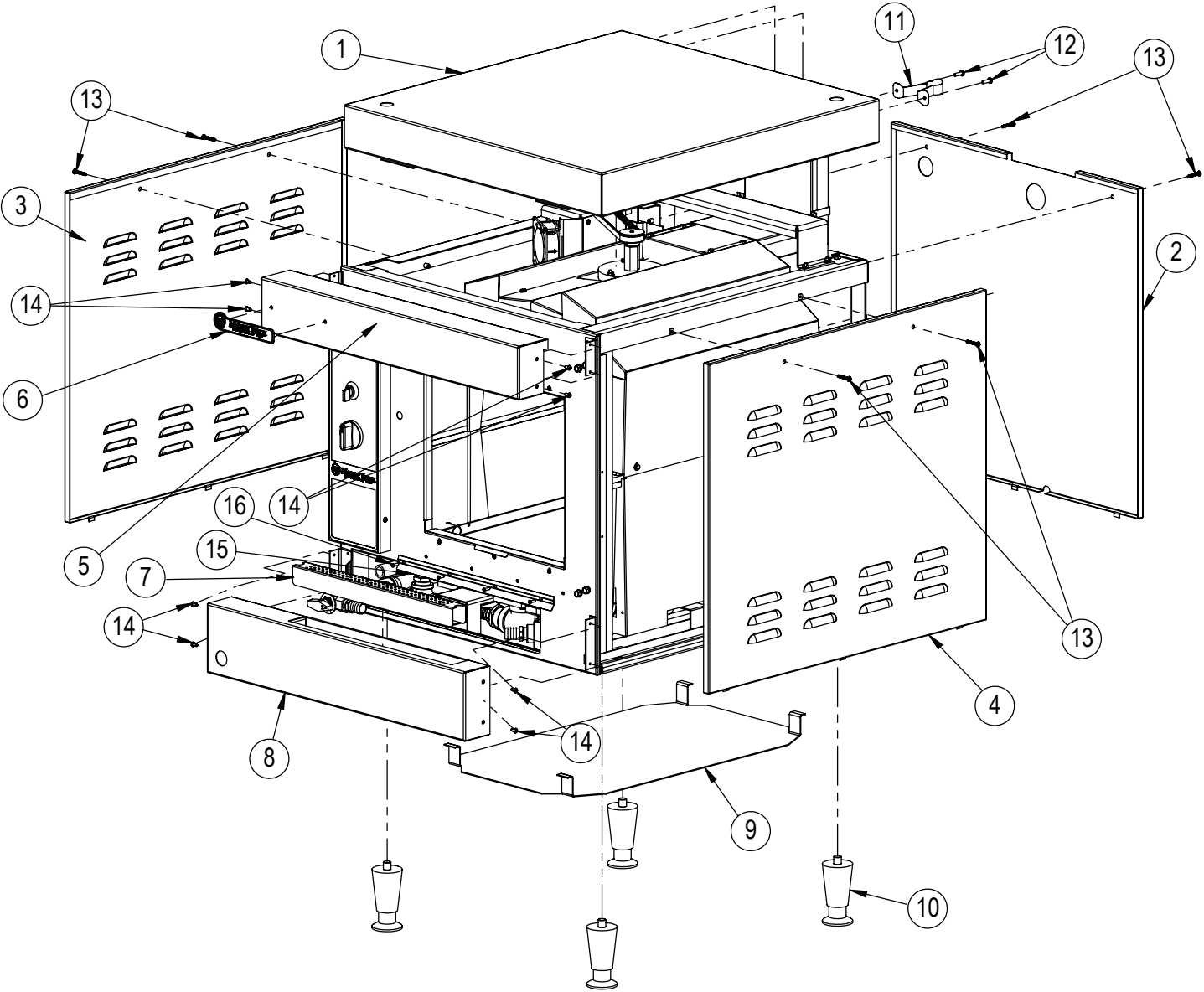
CONTROL MODULE



CONTROL MODULE

ITEM	PART	DESCRIPTION	QTY
1	92-0132	CONTROL PANEL, 4-PAN	1
2	92-0677	BRACKET, IGNITION MODULE	1
3	92-0687	DECAL, CONTROL	1
4	08-6916	LIGHT, AMBER 28V	1
5	92-0147	LIGHT, NEON, 120V, RED	1
6	92-0125	SWITCH, ROTARY	1
7	92-0137	TIMER, 60 MIN	1
8	92-0138	KNOB	1
9	92-0144	CONTROLLER, WATER FILL, 120V	1
10	08-6915	RELAY, 115V	4
11	92-0140	STRIP TERMINAL, 6 POLE	2
12	92-0129	BUZZER, 120V	1
13	94-5022	MODULE, IGNITION	1
14	92-0143	TEMPERATURE CONTROL BOARD, 120V	1
15	92-0119	TIMER, SOLID STATE, 60 SEC	1
16	92-0120	TIMER, SOLID STATE, 120 SEC	1
17	08-6469	FUSE HOLDER	1
18	92-0414	FUSE, 2A 250V TYPE O	1
19	20785	SCREW, TAP, 8-32 x 3/8, PH PAN HEAD	12
20	20636	TAP SCREW, 6-32 X 3/8" BRNZPLTD PAN	6
21	18269	8-32 X 1 PAN HD SELF TAPPING SCREW	2
22	M3344	8-32 X 5/8 PAN HD SELF TAPPING SCREW	6

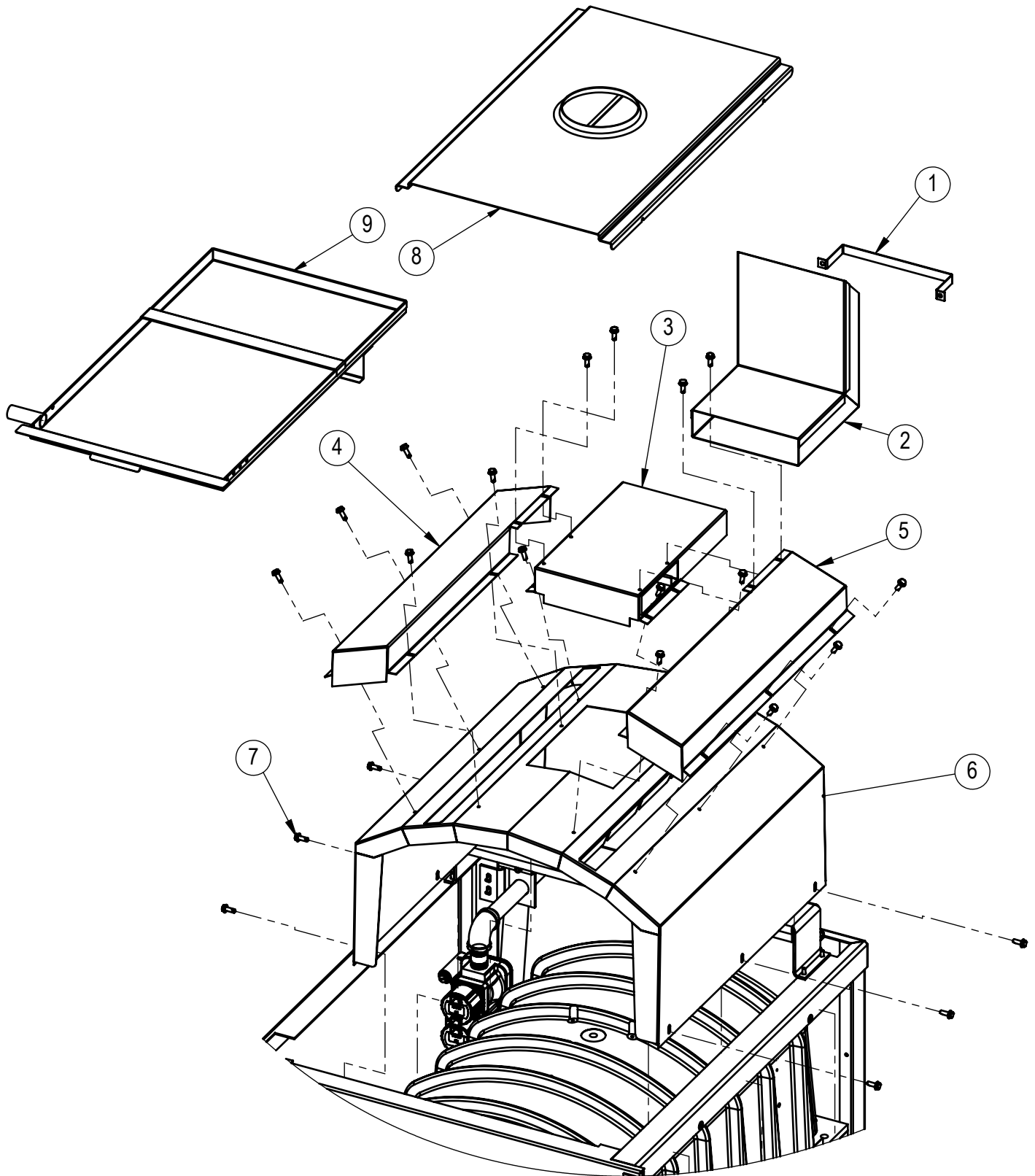
EXTERIOR COMPONENTS



EXTERIOR COMPONENTS

ITEM	PART	DESCRIPTION	QTY
1	92-0053	BODY TOP (TOP HOUSING)	1
2	92-0008	BACK PANEL, 4 PAN STEAMER	1
	92-0357	BACK PANEL, 6 PAN STEAMER	1
3	92-0727	SIDE PANEL, LH, 4 PAN STEAMER	1
	92-0728	SIDE PANEL, LH, 6 PAN STEAMER	1
4	92-0726	SIDE PANEL, RH, 4 PAN STEAMER	1
	92-0729	SIDE PANEL, RH, 6 PAN STEAMER	1
5	92-0730	FRONT PANEL, TOP SECTION	1
6	08-5894	NAMEPLATE, CAST	1
7	92-0428	TROUGH COVER, DRAIN	1
8	92-0725	FRONT PANEL, BOTTOM SECTION	1
9	14-0545	HEAT SHIELD, BOTTOM	1
10	08-7520	LEG, PLASTIC, 4"	4
11	92-0700	PIPE HANGER CLAMP	1
12	15247	SCREW, #10-16 X 5/8", SELF DRILL	2
13	R7313	SCREW, #8-32 X 1" S/S	6
14	53761	SCREW, #8-32 X 3/8", THRD CUT	8
15	92-0733	DRIP DIVERTER	1
16	R9260	SCREW, #6-32 X 1/2" S/S	4

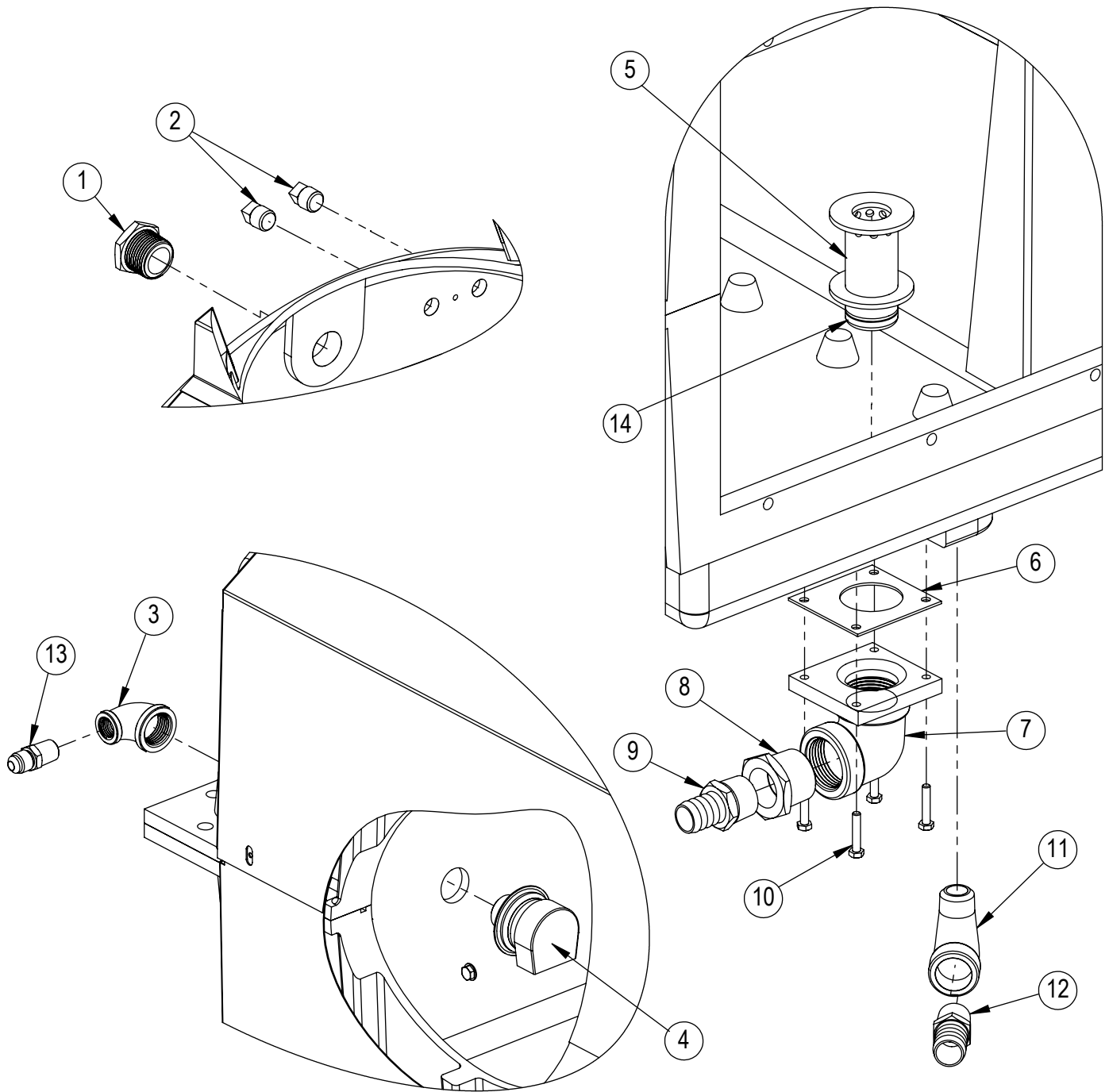
INTERIOR COMPONENTS



INTERIOR COMPONENTS

ITEM	PART	DESCRIPTION	QTY
1	92-0009	STRAP, FLUE	1
2	92-0010	FLUE TOP, EXHAUST	1
3	92-0364	FLUE, TOP CENTER	1
4	92-0389	FLUE, TOP LEFT	1
5	92-0390	FLUE, TOP RIGHT	1
6	92-0365	SHROUD, TOP	1
7	21876	SCREW, #10-16 X 1/2", SELF DRILL	22
8	92-0011	BAFFLE, FAN	1
9	920014	PAN, CLEANUP	1

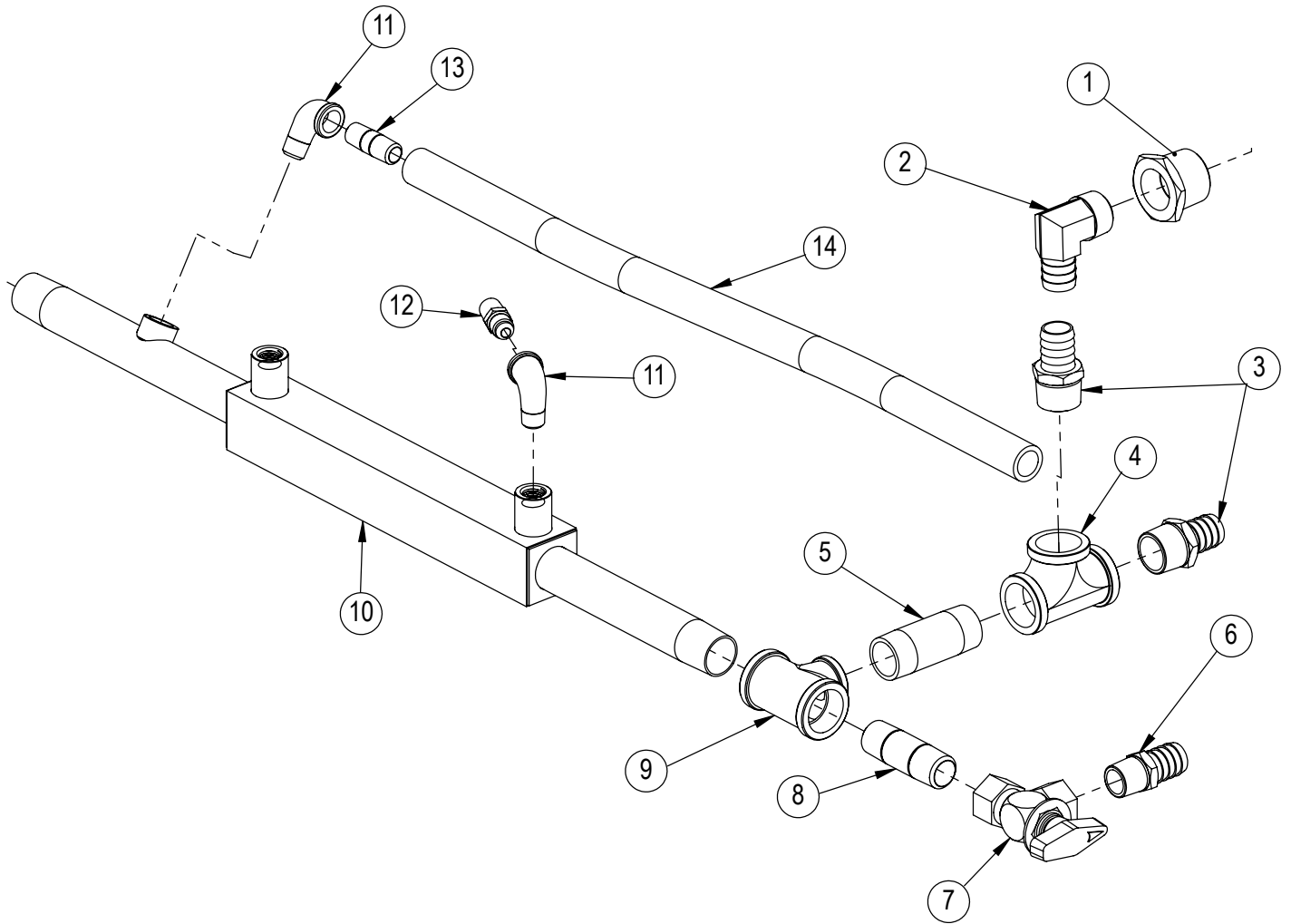
CAVITY PLUMBING COMPONENTS



CAVITY PLUMBING COMPONENTS

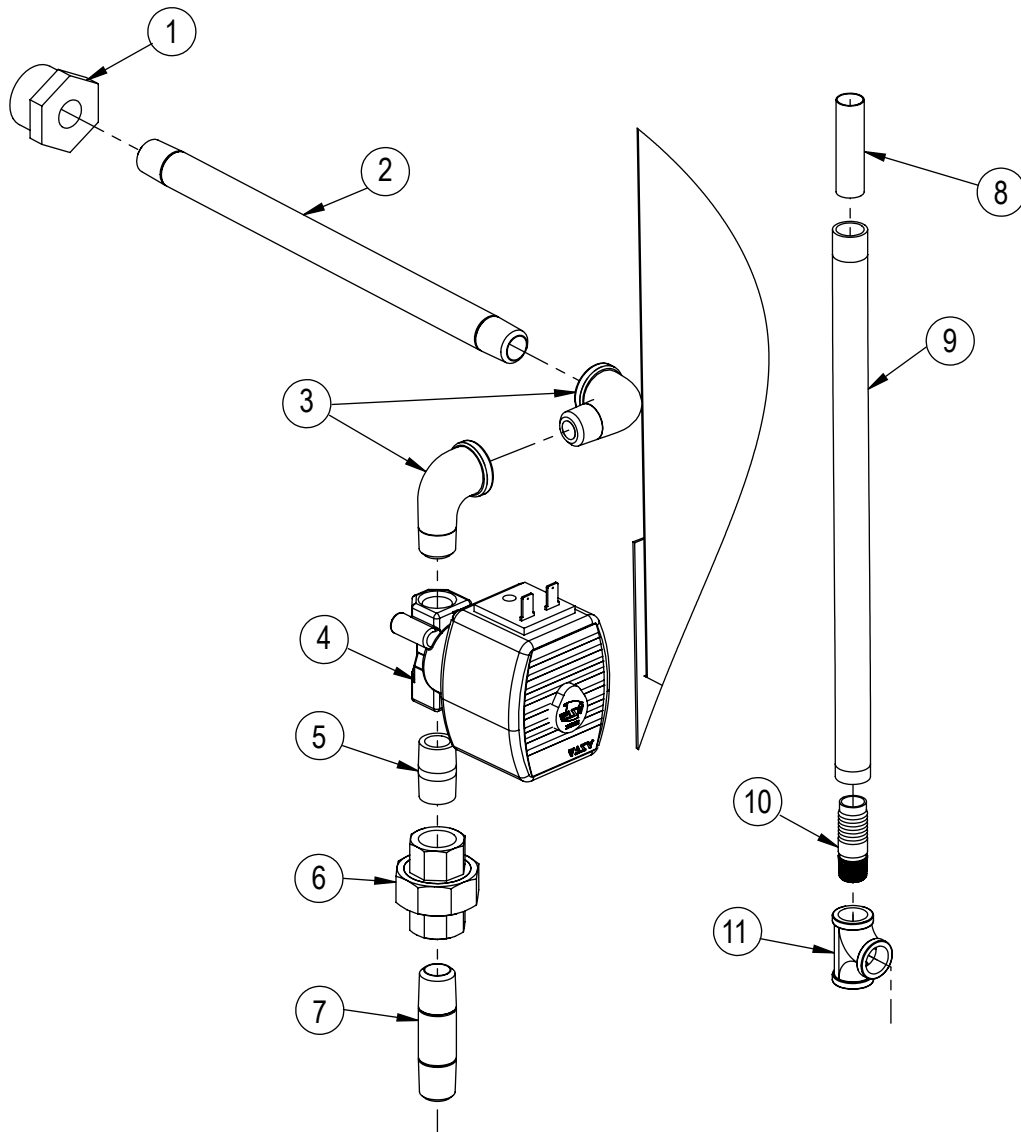
ITEM	PART	DESCRIPTION	QTY
1	92-0047	PLUG, 3/4" NPT	1
2	08-4999	PLUG, 1/4" NPT, BRASS	2
3	92-0045	REDUCER ELBOW, 1/2" X 1/4" BRONZE	1
4	92-0059	INLET, WATER	1
5	92-0111	PLUG, CAVITY DRAIN	1
6	92-0027	GASKET, CAVITY RESERVOIR	1
7	92-0026	BLOCK, CLEAN RESERVOIR	1
8	92-0110	REDUCER BUSHING, 1" NPT X 3/4" FNPT	1
9	08-4852	FITTING, BRASS, 3/4" NPT X 3/4" BARB	1
10	58109	MACHINE SCREW, 10-32 X 1"	4
11	08-5471	ELBOW, 1/2", STREET	1
12	90-8058	FITTING, BRASS, 1/2" NPT X 3/4" BARB	1
13	08-5474	ADAPTER HOSE, 5/16" TUBE X 1/4" NPT	1
14	92-0631	O-RING, CAVITY DRAIN PLUG	

DRAIN LINES & HEAT EXCHANGER



ITEM	PART	DESCRIPTION	QTY
1	92-0110	REDUCER BUSHING, 1" NPT X 3/4" FNPT	1
2	92-0109	ELBOW, 3/4" MNPT X 3/4" BARB	1
3	08-4852	FITTING, BRASS, 3/4" NPT X 3/4" BARB	2
4	08-4990	TEE, BRASS, 3/4"	1
5	08-5427	NIPPLE, 3/4 NPT X 2-1/2"	1
6	90-8058	FITTING, BRASS, 1/2" NPT X 3/4" BARB	1
7	92-0738	DRAIN VALVE, 90° MANUAL	1
8	10-2868	NIPPLE, BRASS, 1/2" NPT X 2-1/2"	1
9	10-8289	REDUCING TEE, 3/4" X 3/4" X 1/2"	1
10	92-0807	HEAT EXCHANGER, DRAIN	1
11	92-0058	ELBOW, STREET, 1/4" NPT	2
12	08-5474	HOSE ADAPTER, 5/16" TUBE X 1/4" NPT	1
13	92-0061	NIPPLE, BRASS, 1/4" NPT X 1-1/2"	1
14	08-7960	HOSE, NEOPRENE, 5/8" I/D X 1/8" WALL	24"

WATER INLET AND OUTLET



ITEM	PART	DESCRIPTION	QTY
1	92-0060	CONNECTOR, 3/4" GARDEN HOSE	1
2	92-0040	NIPPLE, BRASS, 1/4" NPT X 8"	1
3	92-0058	ELBOW, STREET, 1/4" NPT	2
4	92-0107	SOLENOID VALVE, 120V	1
5	08-5446	NIPPLE, 1/4 NPT, CLOSE	1
6	92-0039	UNION, BRASS, 1/4" NPT	1
7	92-0041	NIPPLE, BRASS, 1/4" NPT X 2"	1
8	92-0028	VENT EXTENSION TUBE	1
9	10-0239	RUBBER HOSE, 1" I.D.	1
10	08-1202	FITTING, HOSE NIPPLE, 3/4 NPT X 1" BARB	1
11	10-2804	TEE, 3/4" BLK	1