



**MB 236 AND MB 260
MB SLICE SERIES PIZZA OVENS
REPLACEMENT PARTS LIST**

EFFECTIVE JULY 10, 2018

Superseding All Previous Parts Lists.

The Company reserves the right to make substitution in the event that items specified are not available.

ERRORS: Descriptive and/or typographic errors are subject to correction.

MARSAL

42 Allen Martin Drive, Essex Junction, VT 05452 USA Telephone: (802) 658-6600 Fax: (802) 864-0183
www.marsalovens.com

P/N 72619 Rev J

TABLE OF CONTENTS

BURNER COMPARTMENT COMPONENTS

MB 236 OVEN 3

MB 260 OVEN 4

BAKING COMPARTMENT COMPONENTS

MB 236 5

MB 260 6

BURNER AND PIPING PARTS

MB 236 7

MB 260 8

PILOT UPGRADE SAFETY VALVE KIT FOR OVENS BUILT BEFORE 10/8/2008 9

GAS CONVERSION KITS 9

DOOR PARTS

MB 236 10

MB 260 11

MB CONTROL DOOR AND FLUES

ALL OVENS 12

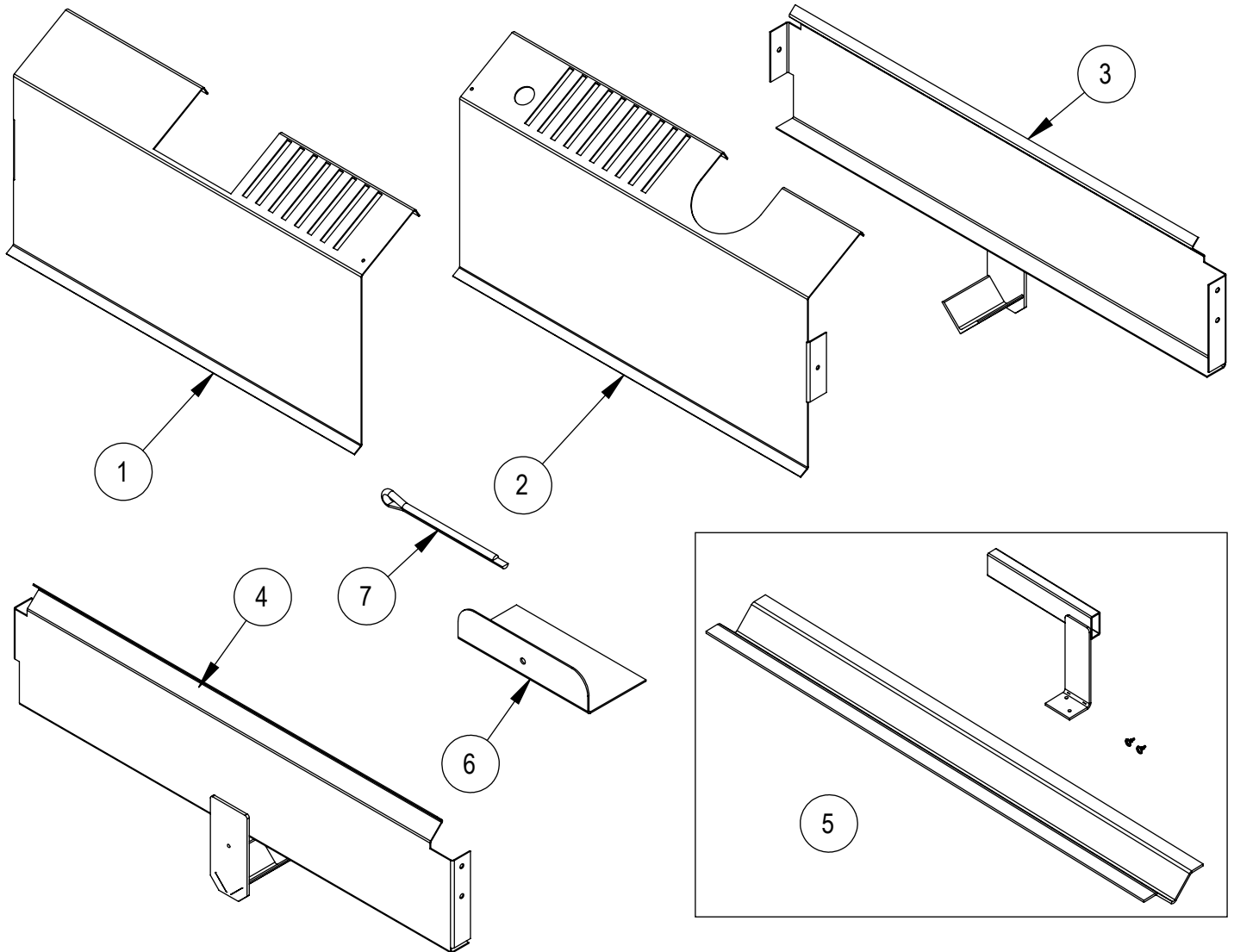
CE APPROVED COMPONENTS

ALL OVENS 13

ACCESSORIES 14

BURNER COMPARTMENT COMPONENTS

MB 236 OVEN

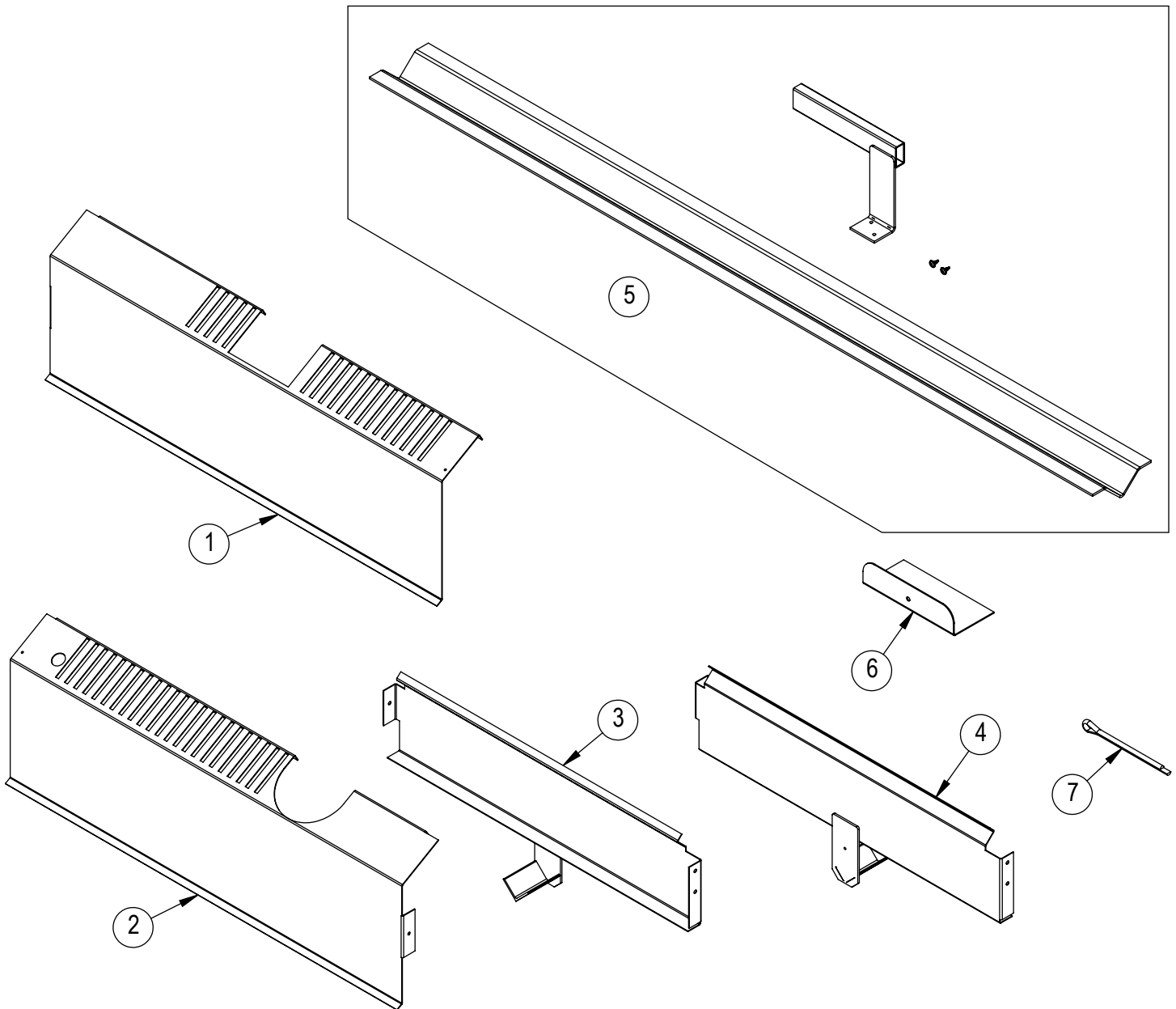


REF. NO.	PART NO.	DESCRIPTION
1	70749	HEAT SHIELD, LH
2	70748	HEAT SHIELD, RH
3	70684	BAFFLE ASSY, LH
4	70685	BAFFLE ASSY, RH

REF. NO.	PART NO.	DESCRIPTION
5	71894	DEFLECTOR KIT
6	70057	FD HOLD DOWN
7	70084	COTTER PIN, 7/64 X 1.75

BURNER COMPARTMENT COMPONENTS

MB 260 OVEN

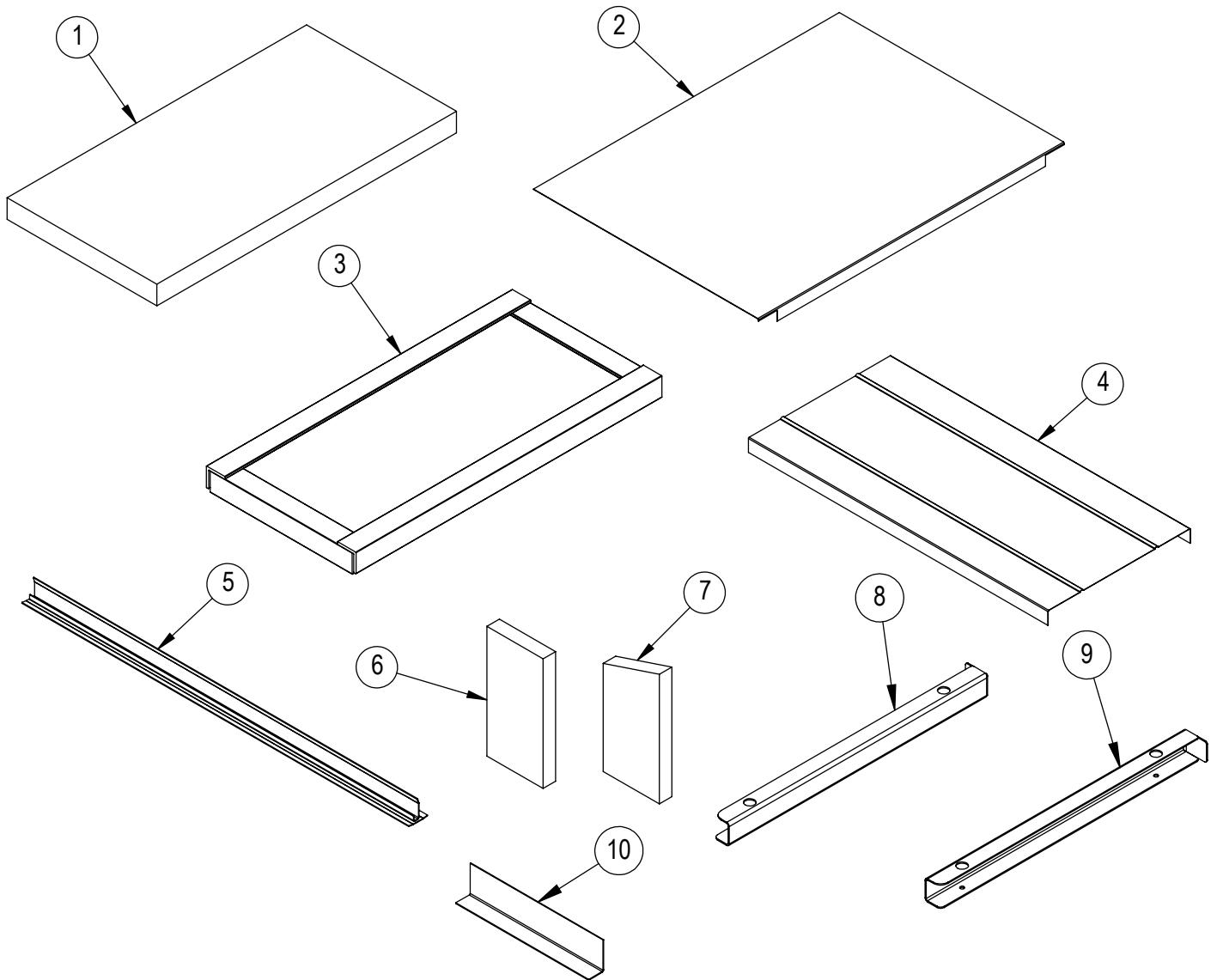


REF. NO.	PART NO.	DESCRIPTION
1	70054	HEAT SHIELD, LH
2	70053	HEAT SHIELD, RH
3	70684	BAFFLE ASSY, LH
4	70685	BAFFLE ASSY, RH

REF. NO.	PART NO.	DESCRIPTION
5	71897	DEFLECTOR KIT
6	70057	FD HOLD DOWN
7	70084	COTTER PIN, 7/64 X 1.75

BAKING COMPARTMENT COMPONENTS

MB 236

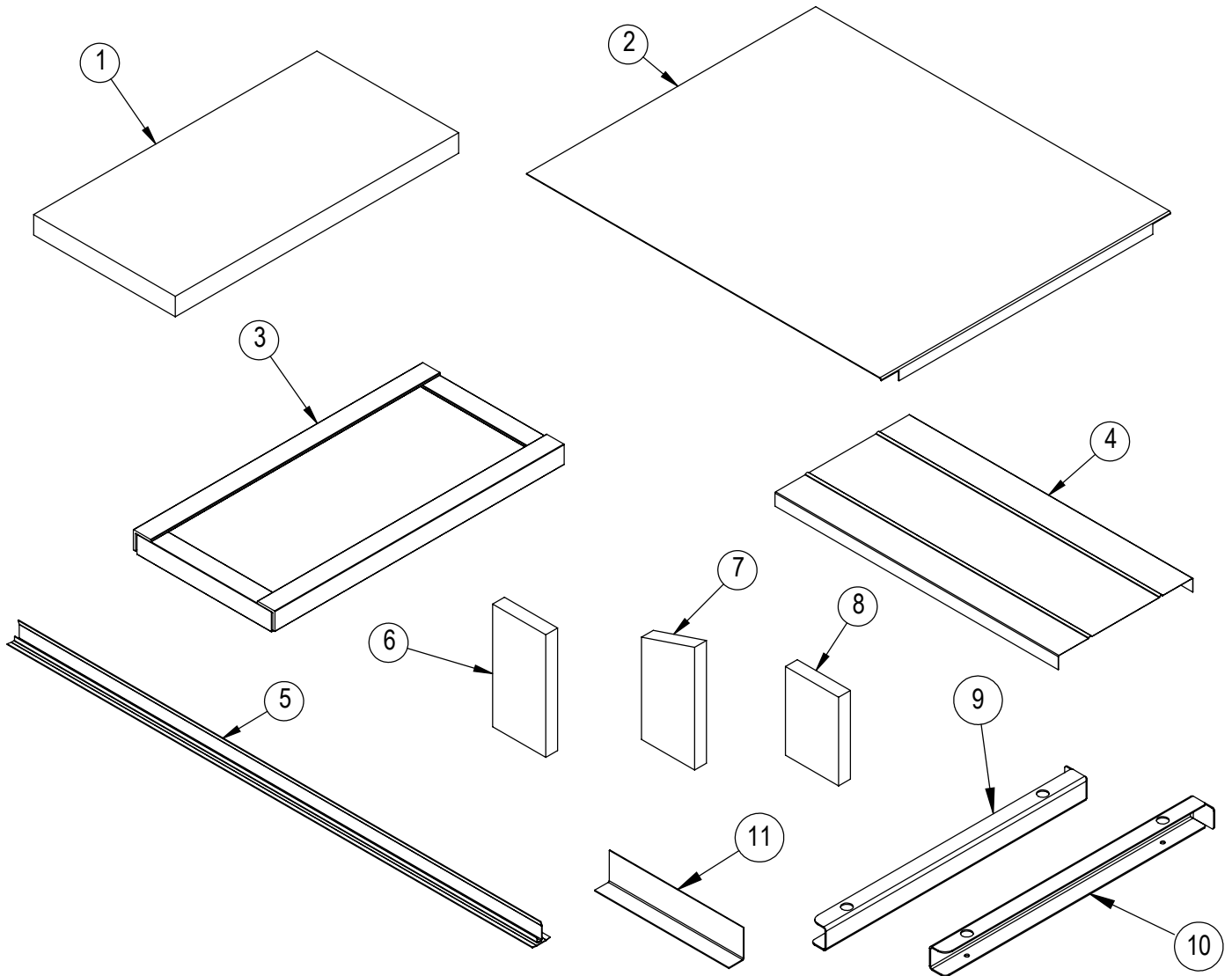


REF. NO.	PART NO.	DESCRIPTION
1	70388	DECK STONE 12 X 24 X 1-1/2
2	70750	BRICK PLATE
3	70689	BRICK BASE, 24-1/2 X 12-1/2
4	70694	BRICK BAFFLE
5	70473	CRUMB CATCHER, 31" LG

REF. NO.	PART NO.	DESCRIPTION
6	70391	CEILING/BACK BRICK, 1 X 4-1/2 X 9
7	70721	ANGLE BACK BRICK, 1 X 4-1/4 X 9
8	70697	BRICK BRACKET, TOP LEFT
9	70698	BRICK BRACKET, TOP RIGHT
10	70319	BRICK BRACKET, TOP END

BAKING COMPARTMENT COMPONENTS

MB 260

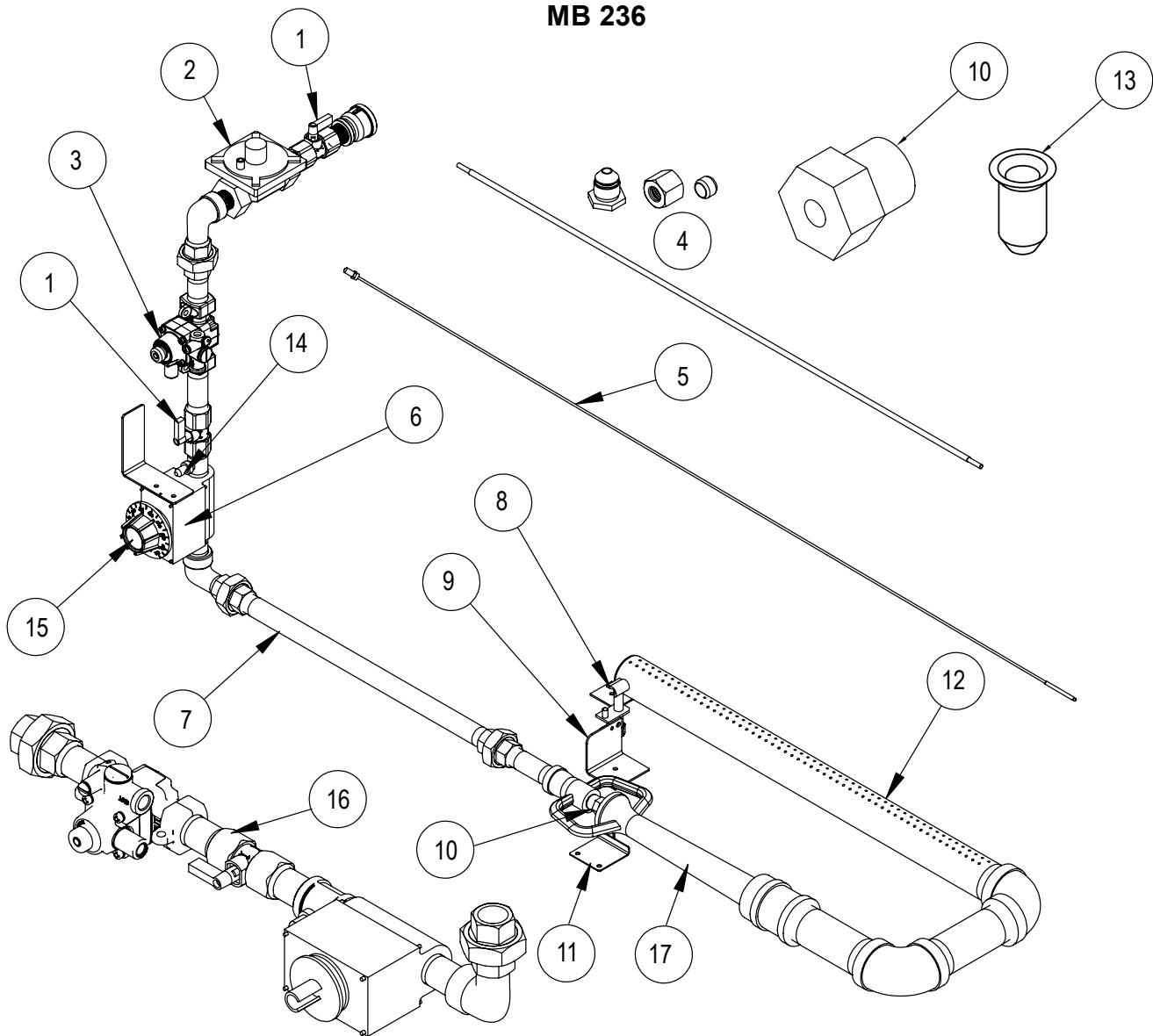


REF. NO.	PART NO.	DESCRIPTION
1	70388	DECK STONE 12 X 24 X 1-1/2
2	70696	BRICK PLATE
3	70689	BRICK BASE, 24-1/2 X 12-1/2
4	70694	BRICK BAFFLE
5	70476	CRUMB CATCHER, 44-1/2" LG
6	70391	CEILING/BACK BRICK, 1 X 4-1/2 X 9

REF. NO.	PART NO.	DESCRIPTION
7	70721	ANGLE BACK BRICK, 1 X 4-1/2 X 9
8	70458	CEILING BRICK, 1 X 4-1/2 X 7
9	70697	BRICK BRACKET, TOP LEFT
10	70698	BRICK BRACKET, TOP RIGHT
11	70319	BRICK BRACKET, TOP END

BURNER AND PIPING PARTS

MB 236



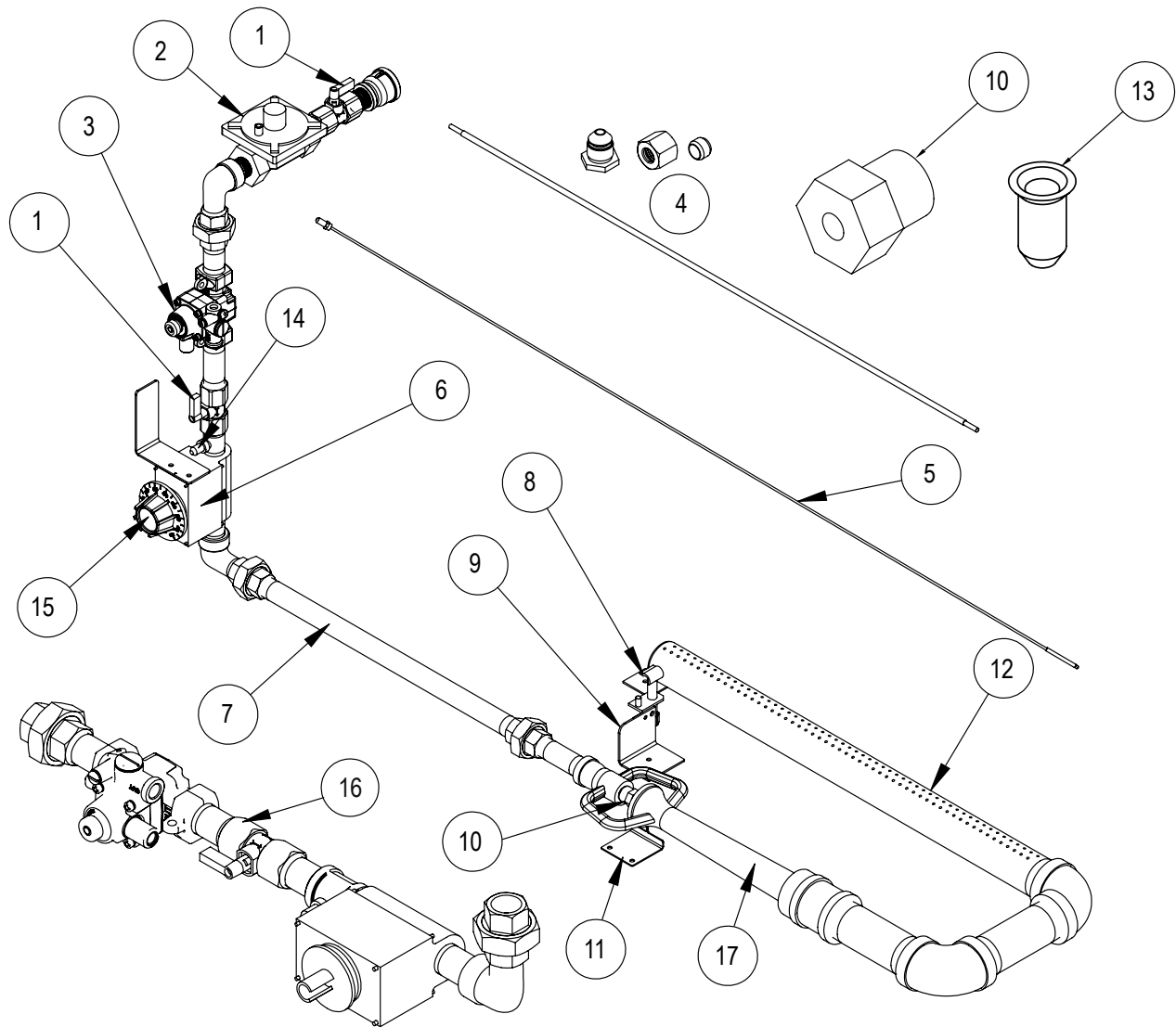
REF. NO.	PART NO.	DESCRIPTION
1	70380	BALL VALVE, 1/2" NPT
2*	71881	GAS REGULATOR, NAT
2*	71882	GAS REGULATOR, LP
3	55127	TS11 SAFETY VALVE, 1/4" TUBE FIT
4	72290	PILOT TUBE KIT, 42"
5	52091	THERMOCOUPLE, 48" LEAD
6*	71880	THERMOSTAT, 300-650 W/KNOB
7	70042	1/2" NPT X 33-1/4" PIPE
8	55132	PILOT ASSY, NAT (ORDER WITH 70482 "LP PILOT ORIFICE CUP" FOR LP OVENS, REF PAGE 9)
9	70100	PILOT BRACKET
10	70382	ORIFICE, #33 (NAT)

REF. NO.	PART NO.	DESCRIPTION
10	70471	ORIFICE, #54 (LP)
11	70049	VENTURI STOPPER
12	70760	BURNER ASSY
13	70481	PILOT ORIFICE, NAT
13	70482	PILOT ORIFICE, LP
14	70434	PRESSURE TAP, 1/8
15*	70044	KNOB, THERMOSTAT
16	70040	STACK ASSEMBLY
17	70094	VENTURI

* SEE "CE APPROVED COMPONENTS" AT THE END OF THIS DOCUMENT

BURNER AND PIPING PARTS

MB 260



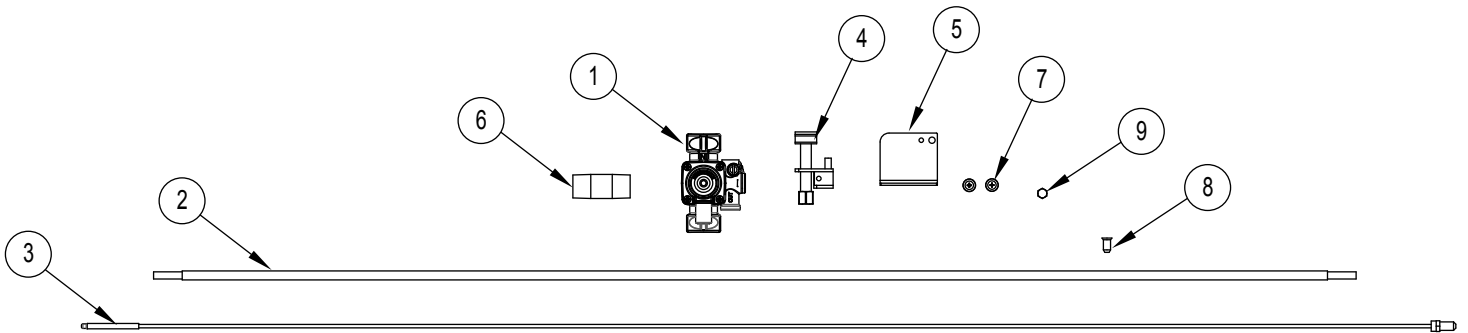
REF. NO.	PART NO.	DESCRIPTION
1	70380	BALL VALVE, 1/2"NPT
2*	71881	GAS REGULATOR, NAT
2*	71882	GAS REGULATOR, LP
3*	55127	TS11 SAFETY VALVE, 1/4" TUBE FIT
4	72290	PILOT TUBE KIT, 42"
5	52091	THERMOCOUPLE, 48" LEAD
6*	71880	THERMOSTAT, 300-650 W/KNOB
7	70042	1/2" NPT X 33-1/4" PIPE
8	55132	PILOT ASSY, NAT (ORDER WITH 70482 "LP PILOT ORIFICE CUP" FOR LP OVENS, REF PAGE 9)
9	70100	PILOT BRACKET
10	70469	ORIFICE, #25 (NAT)

REF. NO.	PART NO.	DESCRIPTION
10	70470	ORIFICE, #40 (LP)
11	70049	VENTURI STOPPER
12	70702	BURNER ASSY
13	70481	PILOT ORIFICE, NAT
13	70482	PILOT ORIFICE, LP
14	70434	PRESSURE TAP, 1/8
15*	70044	KNOB, THERMOSTAT
16	70040	STACK ASSEMBLY
17	70094	VENTURI

* SEE "CE APPROVED COMPONENTS" AT THE END OF THIS DOCUMENT

BURNER AND PIPING PARTS

PILOT UPGRADE SAFETY VALVE KIT FOR OVENS BUILT BEFORE 10/8/2008

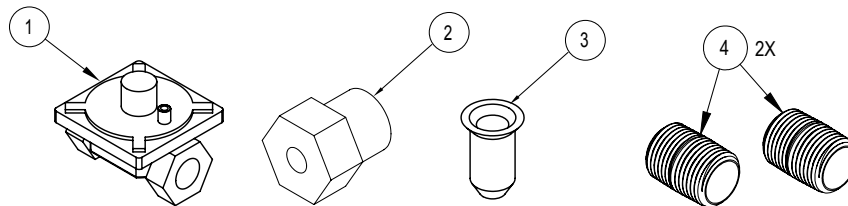


REF. NO.	PART NO.	DESCRIPTION
	70376	Pilot Upgrade Safety Valve Kit Includes the following Parts
1	55127	TS11 Safety Valve
2	70046	Pilot Tubing, 42"
3	52091	Thermocouple, 48" Lead
4	55132	Pilot Assy, NAT*
5	70100	Pilot Bracket

REF. NO.	PART NO.	DESCRIPTION
6	70233	Nipple, 1/2" x 2" black
7	70272	Screw, 8-18 x 1/2 Drill Point (qty. 2)
8	70482	.010 Pilot Orifice Cup, LP
9	71852	Screw, 10-32 x 1/4 Hex Head

*REPLACE INCLUDED ORIFICE WITH 70482 FOR LP OVENS.

GAS CONVERSION KITS



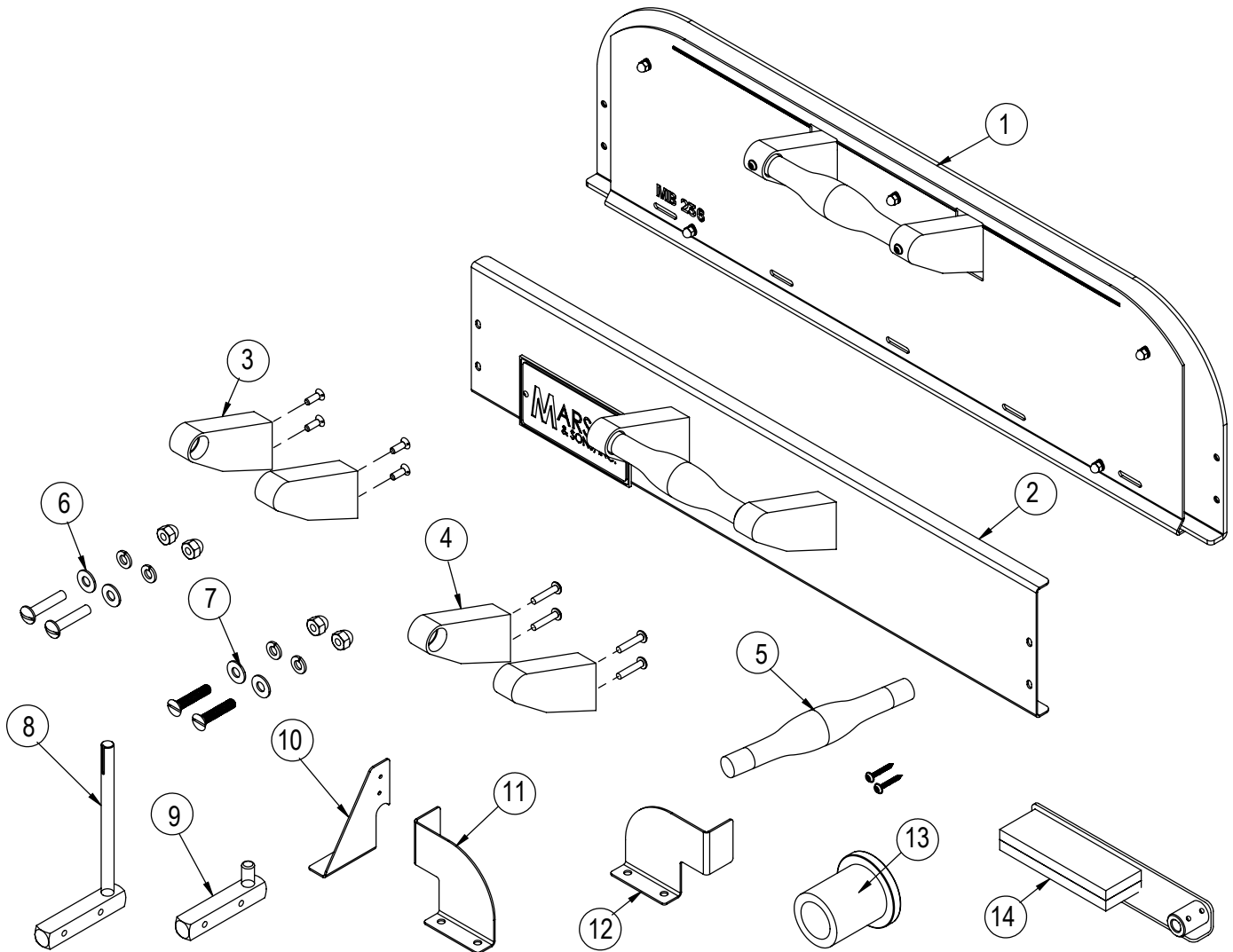
REF. NO.	PART NO.	DESCRIPTION
	71987	Natural to LP Gas Conversion Kit
1	70386	Gas Regulator, LP
2	See Chart	Burner Orifice
3	70482	Pilot Orifice, LP
4	70255	Close Nipple, 1/2 NPT

MB BURNER ORIFICES		
MODEL	NATURAL	PROPANE
MB236	70382	70471
MB42	70381	70492
MB60	70383	70491
MB866	70383	70491

REF. NO.	PART NO.	DESCRIPTION
	71988	LP to Natural Gas Conversion Kit
1	70385	Gas Regulator, NAT
2	See Chart	Burner Orifice
3	70481	Pilot Orifice, NAT
4	70255	Close Nipple, 1/2 NPT

DOOR PARTS

MB 236

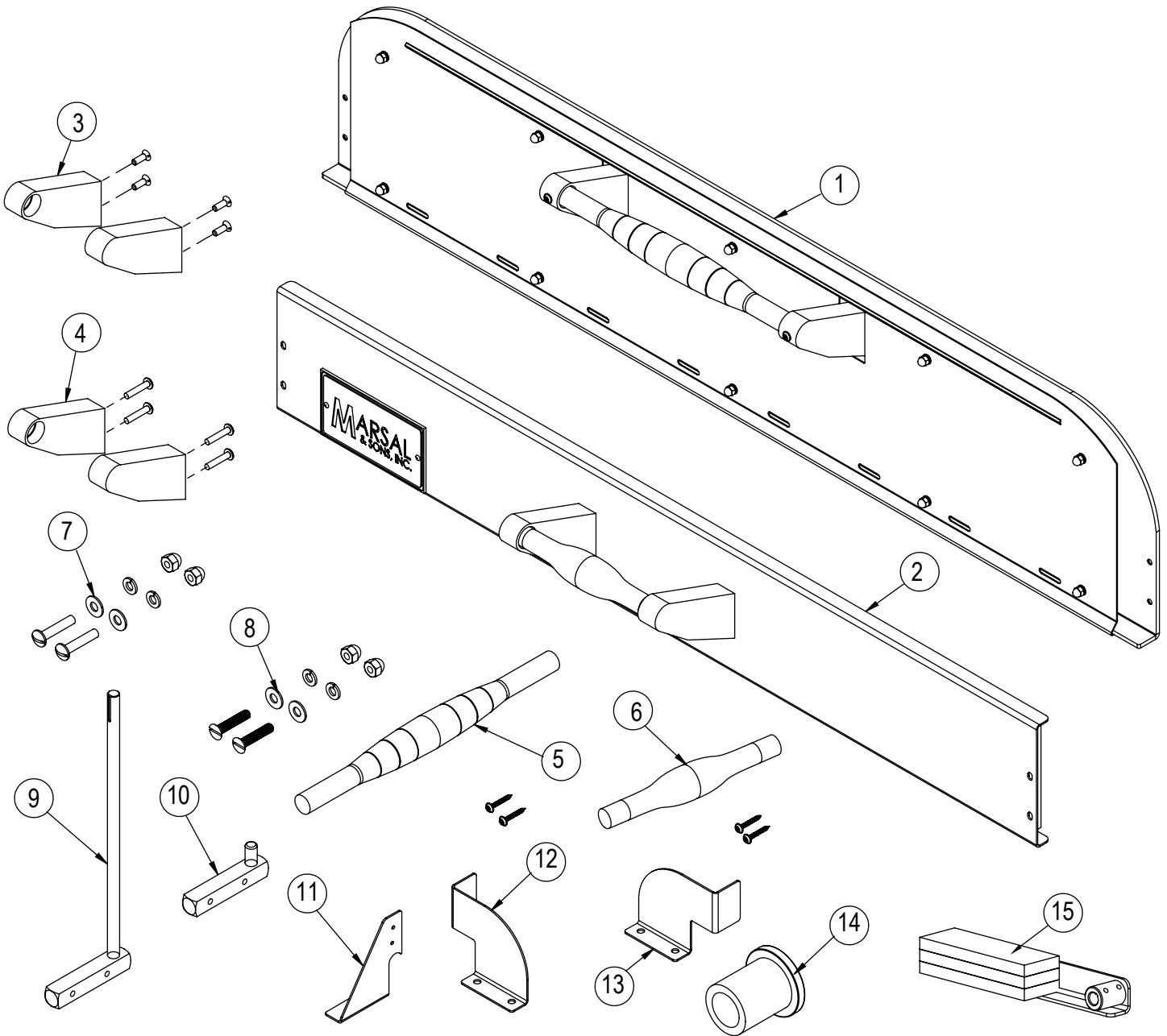


REF. NO.	PART NO.	DESCRIPTION
1	71923	BAKING DOOR SVC KIT, MB236
2	71979	BURNER DOOR SVC KIT, MB236
3	71911	MB DOOR HANDLE BRACKET KIT
4	71985	BURNER DOOR HANDLE BRACKET KIT
5	71884	DOOR HANDLE KIT, 8-3/4"
6	71930	BURNER DOOR HINGE HARDWARE KIT
7	71885	MB DOOR HINGE HARDWARE KIT

REF. NO.	PART NO.	DESCRIPTION
8	70453	BAKING DOOR HINGE ASSY, LH
9	70143	DOOR HINGE ASSY
10	70230	DOOR STOP
11	70671	BURNER DOOR STOP, RH
12	70107	BURNER DOOR STOP, LH
13	70154	BUSHING, DOOR PIN
14	70352	COUNTER WEIGHT ASSY, 2-BAR

DOOR PARTS

MB 260

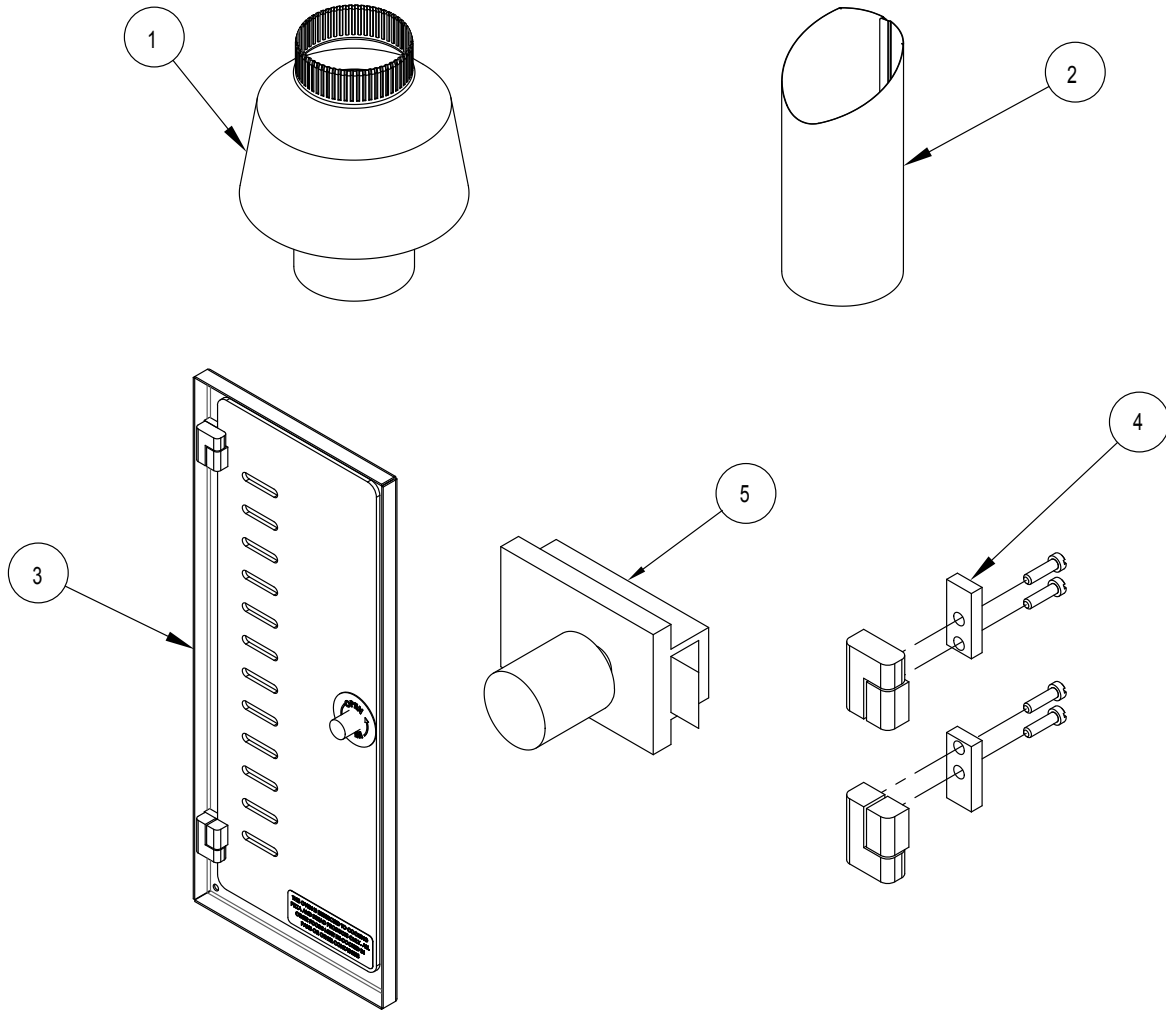


REF. NO.	PART NO.	DESCRIPTION
1	71924	BAKING DOOR SVC KIT, AB60
2	71976	BURNER DOOR SVC KIT, MB260
3	71911	MB DOOR HANDLE BRACKET KIT
4	71985	BURNER DOOR HANDLE BRACKET KIT
5	71883	DOOR HANDLE KIT, 14-1/2"
6	71884	DOOR HANDLE KIT, 8-3/4"
7	71930	BURNER DOOR HINGE HARDWARE KIT
8	71885	MB DOOR HINGE HARDWARE KIT

REF. NO.	PART NO.	DESCRIPTION
9	70145	BAKING DOOR HINGE ASSY, LH
10	70143	DOOR HINGE ASSY
11	70230	DOOR STOP
12	70671	BURNER DOOR STOP, RH
13	70107	BURNER DOOR STOP, LH
14	70154	BUSHING, DOOR PIN
15	70324	COUNTER WEIGHT ASSY, 3-BAR

MB CONTROL DOOR AND FLUES

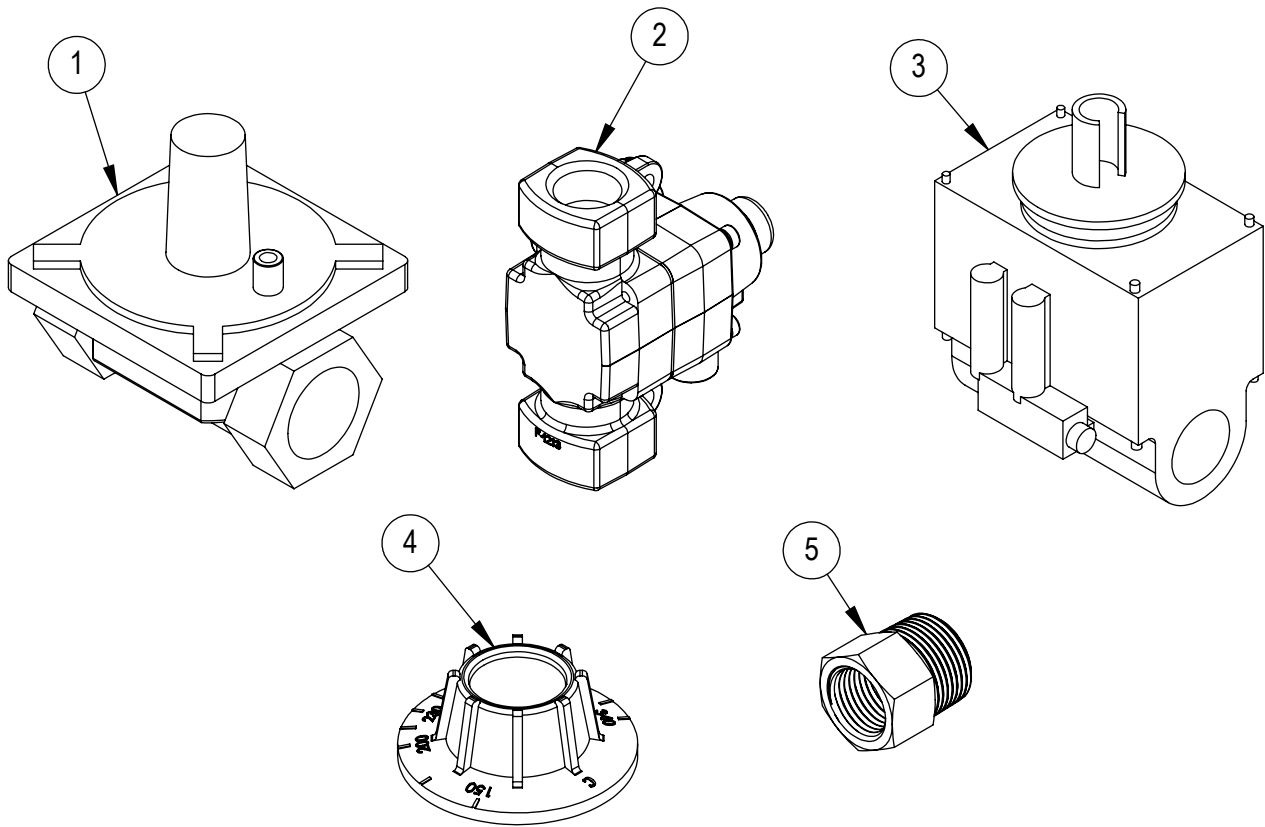
ALL OVENS



REF. NO.	PART NO.	DESCRIPTION
1	70427	Draft Hood
2	70103	Chimney Top
3	70122	Control Door Assy
4	71905	Control Door Hinge Kit
5	70128	Latch, Control Panel

CE APPROVED COMPONENTS

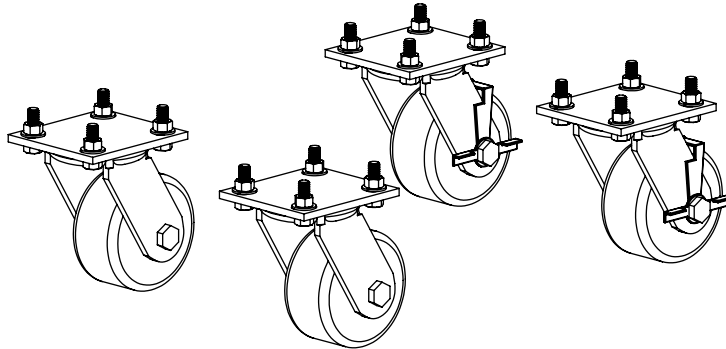
ALL OVENS



REF. NO.	PART NO.	DESCRIPTION
1	72288	PRESSURE REGULATOR, CE
2	72289	GAS VALVE, CE
3	72443	THERMOSTAT, CE
4	9635	KNOB, THERMOSTAT, CE
5	72276	ADAPTER, 1/2 NPT, FEM X 3/4 BSPT

ACCESSORIES

MB260



REF. NO.	PART NO.	DESCRIPTION
1	72546	CASTERS, SET OF 4 (not for use with MB236)