



**SD 236, SD 248 AND SD 260  
SD SLICE SERIES PIZZA OVENS  
REPLACEMENT PARTS LIST**

**EFFECTIVE MAY 14, 2018**

Superseding All Previous Parts Lists.

The Company reserves the right to make substitution in the event that items specified are not available.

ERRORS: Descriptive and/or typographic errors are subject to correction.

---

**MARSAL**

42 Allen Martin Drive, Essex Junction, VT 05452 USA Telephone: (802) 658-6600 Fax: (802) 864-0183  
[www.marsalovens.com](http://www.marsalovens.com)

*P/N 72143 Rev H*

# TABLE OF CONTENTS

## **BURNER COMPARTMENT COMPONENTS**

|                   |   |
|-------------------|---|
| SD 236 OVEN ..... | 3 |
| SD 248 OVEN ..... | 4 |
| SD 260 OVEN ..... | 5 |

## **BAKING COMPARTMENT COMPONENTS**

|                   |   |
|-------------------|---|
| SD 236 OVEN ..... | 6 |
| SD 248 OVEN ..... | 7 |
| SD 260 OVEN ..... | 8 |

## **BURNER AND PIPING PARTS**

|  |    |
|--|----|
| SD 236 OVEN .....  | 9  |
| SD 248 OVEN .....  | 10 |
| SD 260 OVEN .....  | 11 |
| PILOT UPGRADE SAFETY VALVE KIT FOR OVENS BUILT BEFORE 10/2008..... | 12 |
| GAS CONVERSION KITS.....   | 12 |

## **DOOR PARTS**

|                   |    |
|-------------------|----|
| SD 236 OVEN ..... | 13 |
| SD 248 OVEN ..... | 14 |
| SD 260 OVEN ..... | 15 |

## **SD CONTROL DOOR AND FLUES**

|                 |    |
|-----------------|----|
| ALL OVENS ..... | 16 |
|-----------------|----|

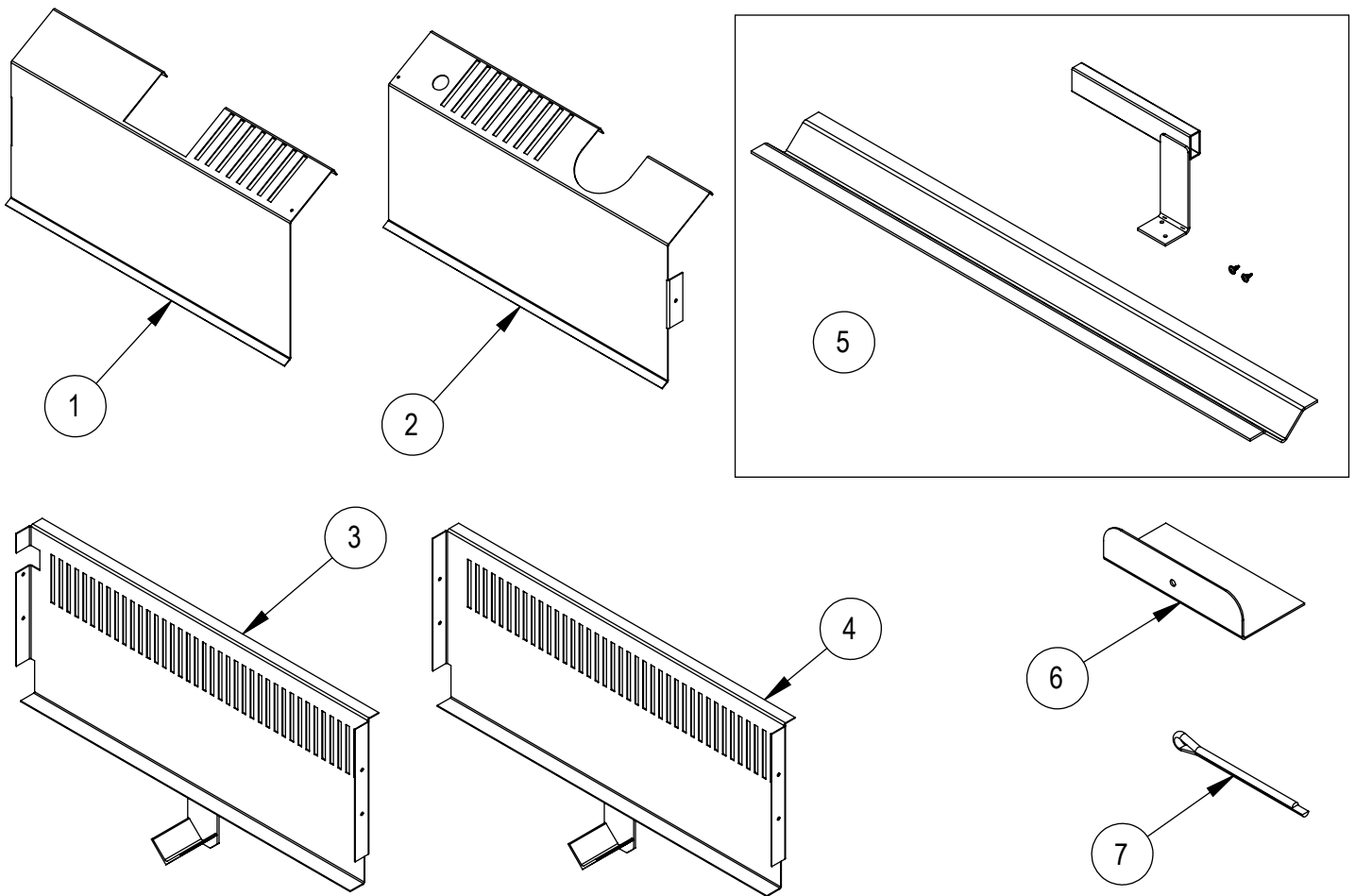
## **CE OVEN COMPONENTS**

|                 |    |
|-----------------|----|
| ALL OVENS ..... | 17 |
|-----------------|----|

|                          |    |
|--------------------------|----|
| <b>ACCESSORIES</b> ..... | 18 |
|--------------------------|----|

# BURNER COMPARTMENT COMPONENTS

## SD 236 OVEN

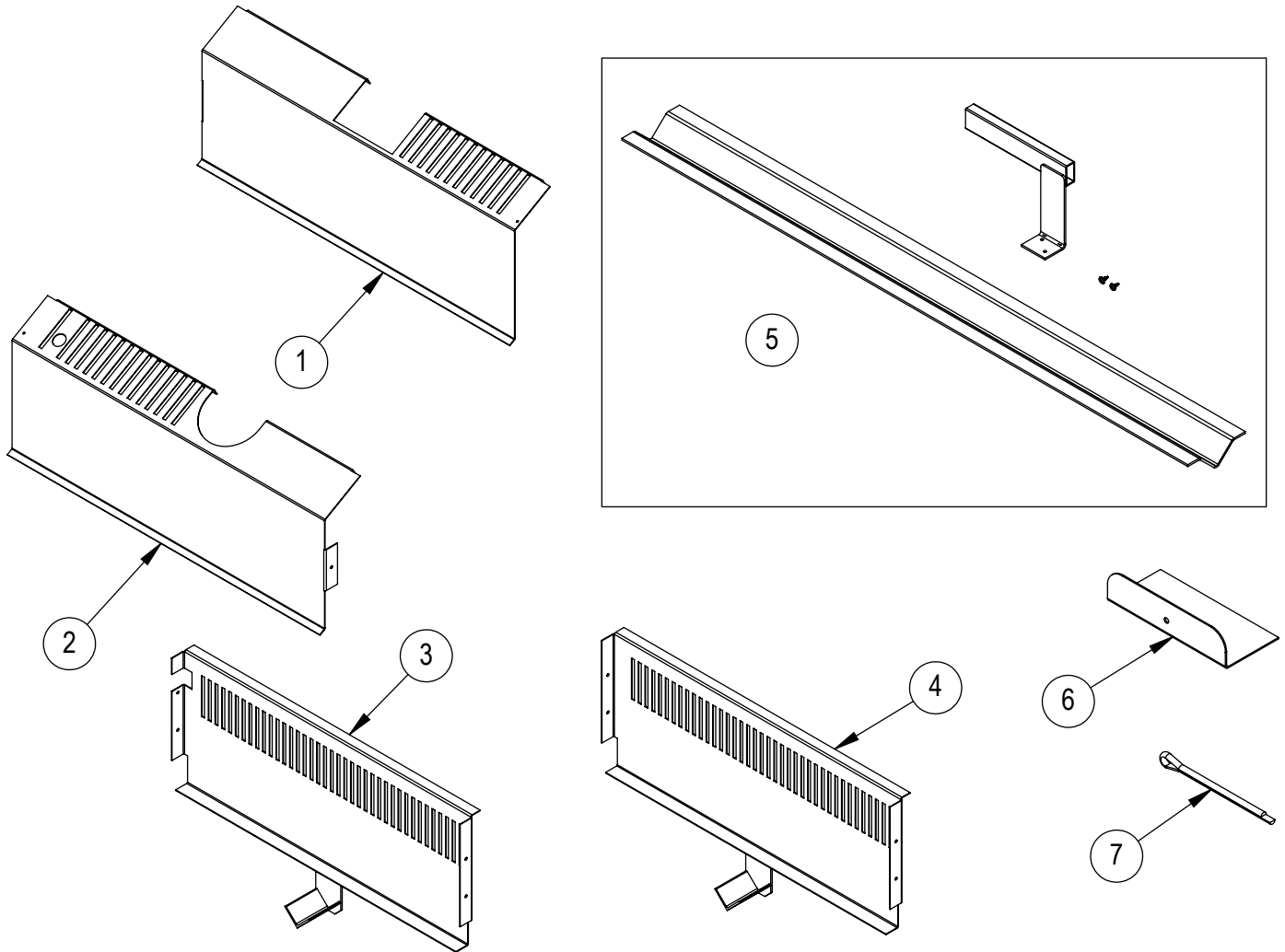


| REF. NO. | PART NO. | DESCRIPTION        |
|----------|----------|--------------------|
| 1        | 70749    | HEAT SHIELD. LH    |
| 2        | 70748    | HEAT SHIELD, RH    |
| 3        | 71312    | SD BAFFLE ASSY, LH |
| 4        | 71313    | SD BAFFLE ASSY, RH |

| REF. NO. | PART NO. | DESCRIPTION             |
|----------|----------|-------------------------|
| 5        | 71894    | DEFLECTOR KIT           |
| 6        | 70057    | FD HOLD DOWN            |
| 7        | 70084    | COTTER PIN, 7/64 X 1.75 |

# BURNER COMPARTMENT COMPONENTS

## SD 248 OVEN

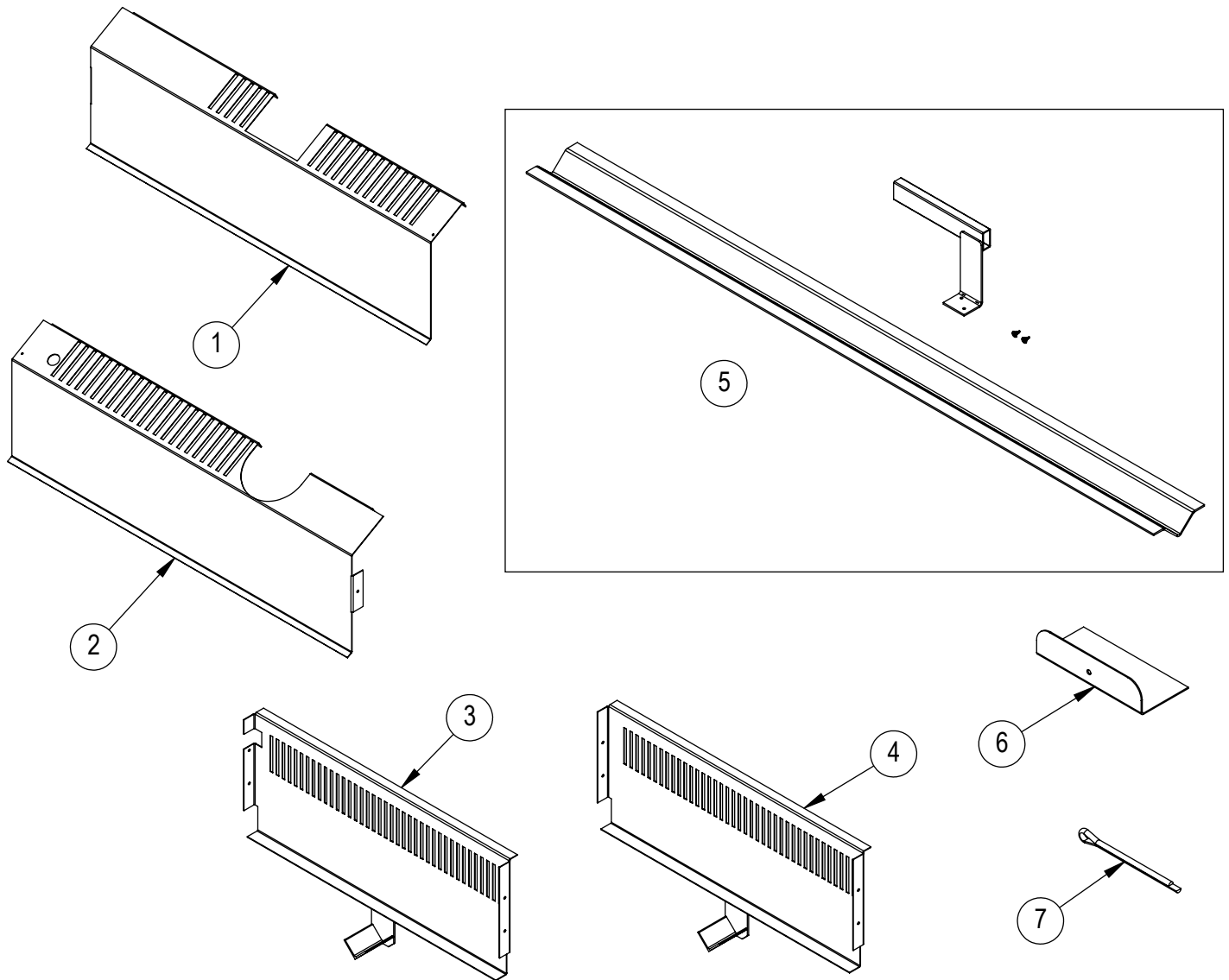


| REF. NO. | PART NO. | DESCRIPTION        |
|----------|----------|--------------------|
| 1        | 71116    | HEAT SHIELD, LH    |
| 2        | 71117    | HEAT SHIELD, RH    |
| 3        | 71345    | SD BAFFLE ASSY, LH |
| 4        | 71346    | SD BAFFLE ASSY, RH |

| REF. NO. | PART NO. | DESCRIPTION             |
|----------|----------|-------------------------|
| 5        | 71898    | DEFLECTOR KIT           |
| 6        | 70057    | FD HOLD DOWN            |
| 7        | 70084    | COTTER PIN, 7/64 X 1.75 |

# BURNER COMPARTMENT COMPONENTS

## SD 260 OVEN

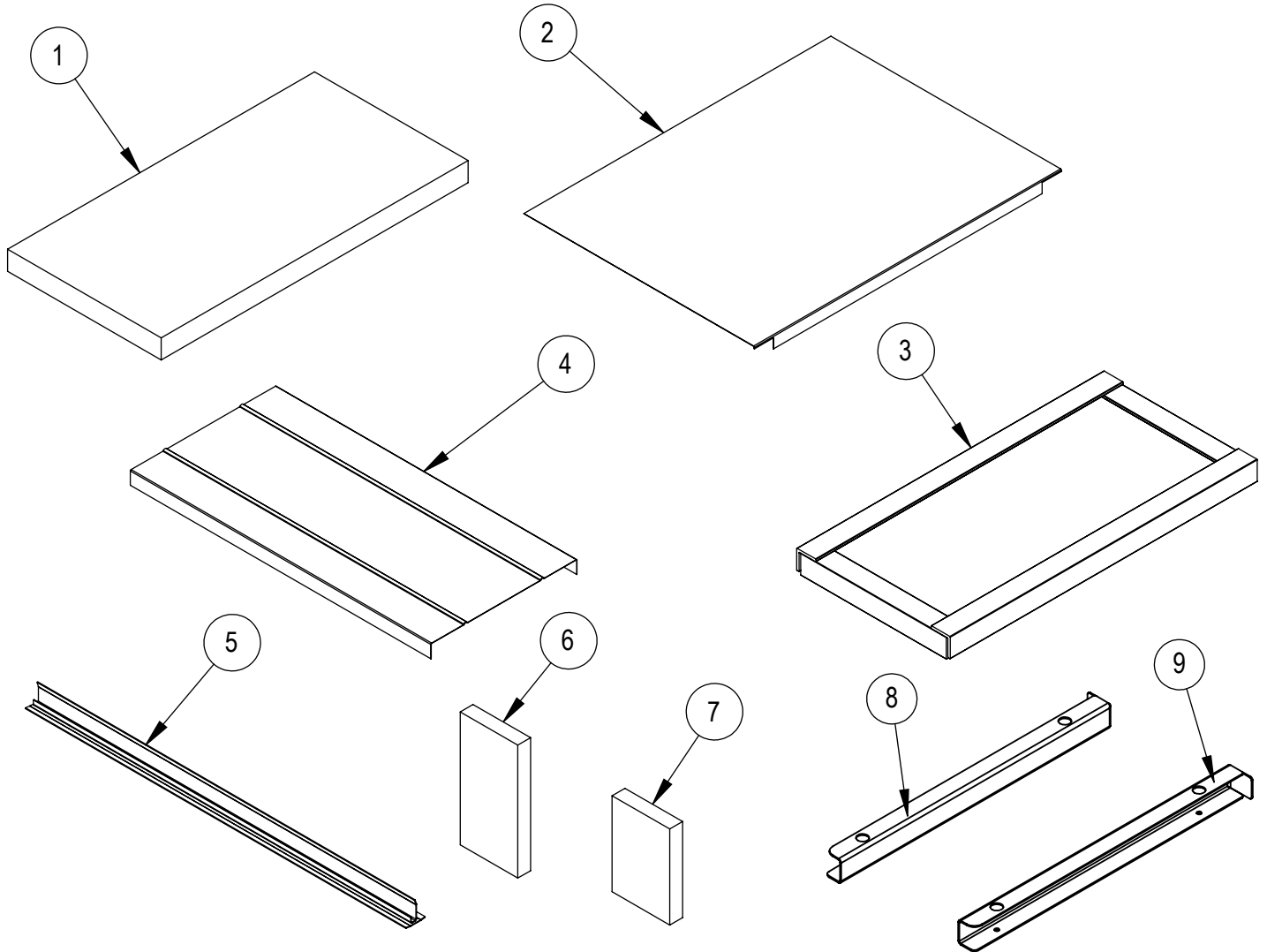


| REF. NO. | PART NO. | DESCRIPTION        |
|----------|----------|--------------------|
| 1        | 71023    | HEAT SHIELD, LH    |
| 2        | 71024    | HEAT SHIELD, RH    |
| 3        | 71345    | SD BAFFLE ASSY, LH |
| 4        | 71346    | SD BAFFLE ASSY, RH |

| REF. NO. | PART NO. | DESCRIPTION             |
|----------|----------|-------------------------|
| 5        | 71897    | DEFLECTOR KIT           |
| 6        | 70057    | FD HOLD DOWN            |
| 7        | 70084    | COTTER PIN, 7/64 X 1.75 |

# BAKING COMPARTMENT COMPONENTS

## SD 236 OVEN

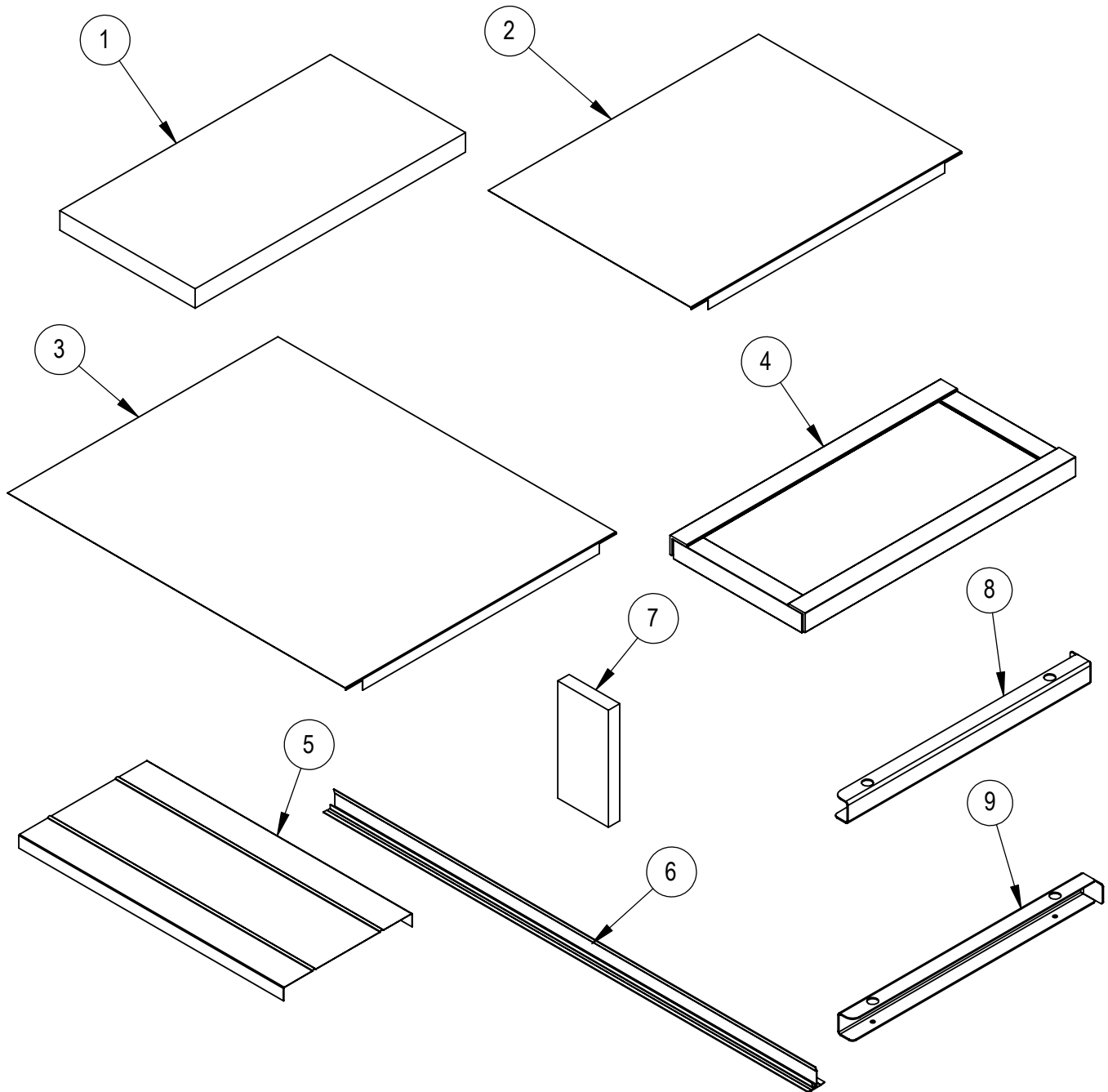


| REF. NO. | PART NO. | DESCRIPTION                |
|----------|----------|----------------------------|
| 1        | 70388    | DECK STONE 12 X 24 X 1-1/2 |
| 2        | 70464    | BRICK PLATE                |
| 3        | 70462    | BRICK BASE, 24 X 12        |
| 4        | 70463    | BRICK BAFFLE               |
| 5        | 70433    | CRUMB CATCHER, 29-3/4" LG  |

| REF. NO. | PART NO. | DESCRIPTION                  |
|----------|----------|------------------------------|
| 6        | 70391    | CEILING BRICK, 1 X 4-1/2 X 9 |
| 7        | 70458    | CEILING BRICK, 1 X 4-1/2 X 7 |
| 8        | 70697    | BRICK BRACKET, TOP LEFT      |
| 9        | 70698    | BRICK BRACKET, TOP RIGHT     |

# BAKING COMPARTMENT COMPONENTS

## SD 248 OVEN

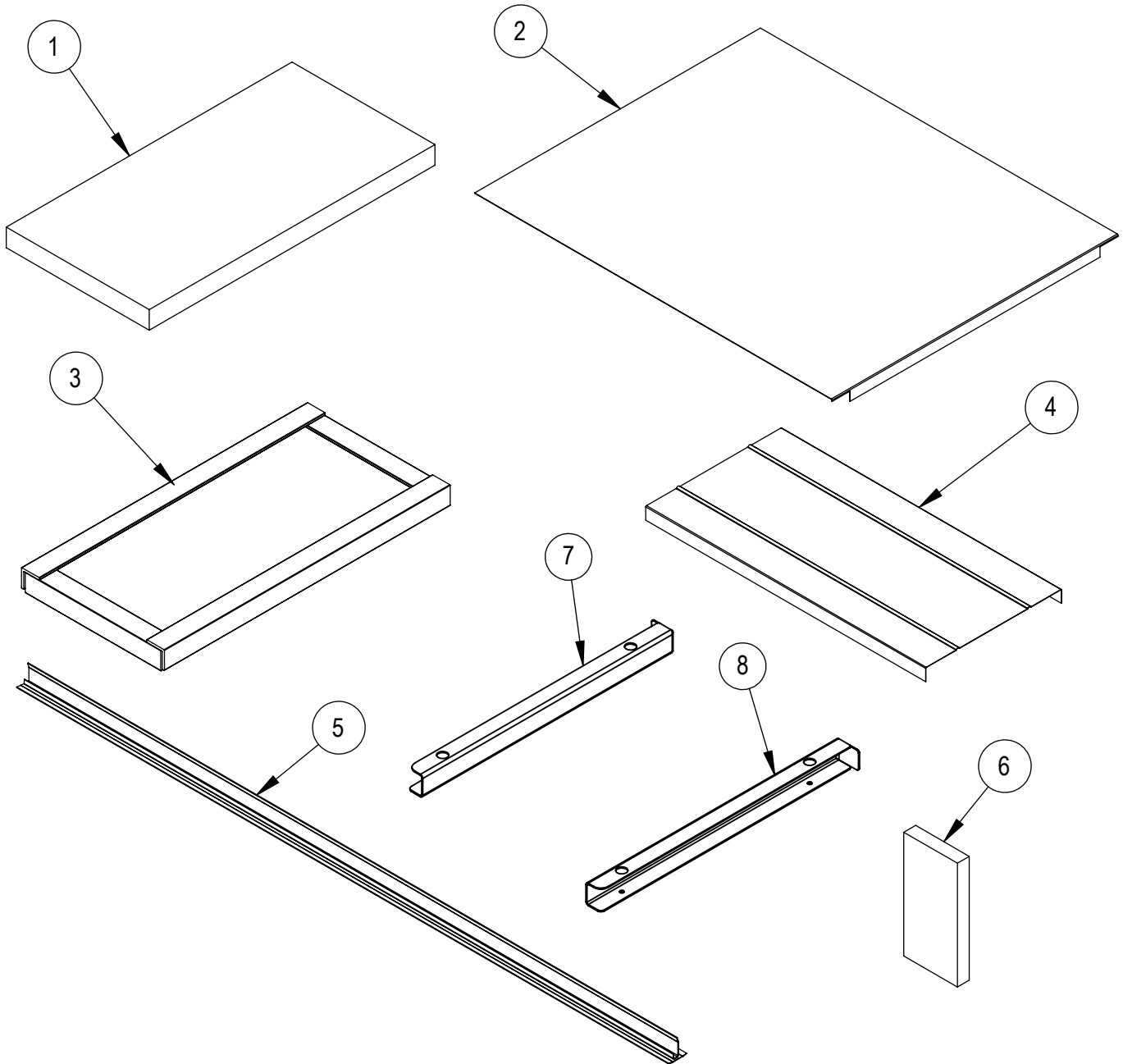


| REF. NO. | PART NO. | DESCRIPTION                |
|----------|----------|----------------------------|
| 1        | 70388    | DECK STONE 12 X 24 X 1-1/2 |
| 2        | 70464    | BRICK PLATE, LH            |
| 3        | 70465    | BRICK PLATE, RH            |
| 4        | 70462    | BRICK BASE, 24 X 12        |
| 5        | 70463    | BRICK BAFFLE               |

| REF. NO. | PART NO. | DESCRIPTION                  |
|----------|----------|------------------------------|
| 6        | 70475    | CRUMB CATCHER, 43" LG        |
| 7        | 70391    | CEILING BRICK, 1 X 4-1/2 X 9 |
| 8        | 70697    | BRICK BRACKET, TOP LEFT      |
| 9        | 70698    | BRICK BRACKET, TOP RIGHT     |

# BAKING COMPARTMENT COMPONENTS

## SD 260 OVEN



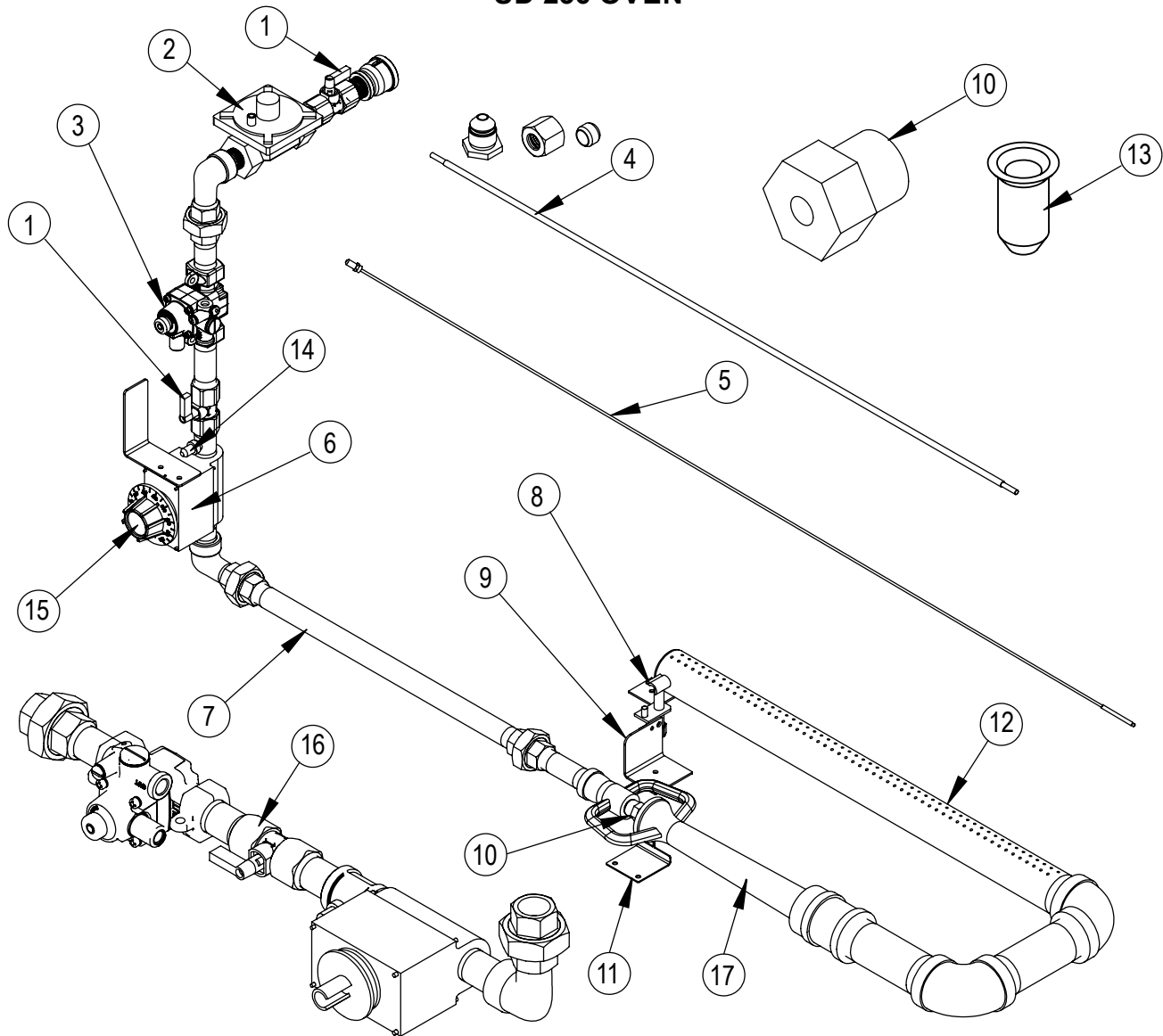
| REF. NO. | PART NO. | DESCRIPTION                |
|----------|----------|----------------------------|
| 1        | 70388    | DECK STONE 12 X 24 X 1-1/2 |
| 2        | 70465    | BRICK PLATE                |
| 3        | 70462    | BRICK BASE, 24 X 12        |
| 4        | 70463    | BRICK BAFFLE               |

| REF. NO. | PART NO. | DESCRIPTION                  |
|----------|----------|------------------------------|
| 5        | 70478    | CRUMB CATCHER, 54-3/4" LG    |
| 6        | 70391    | CEILING BRICK, 1 X 4-1/2 X 9 |
| 7        | 70697    | BRICK BRACKET, TOP LEFT      |
| 8        | 70698    | BRICK BRACKET, TOP RIGHT     |



# BURNER AND PIPING PARTS

## SD 236 OVEN



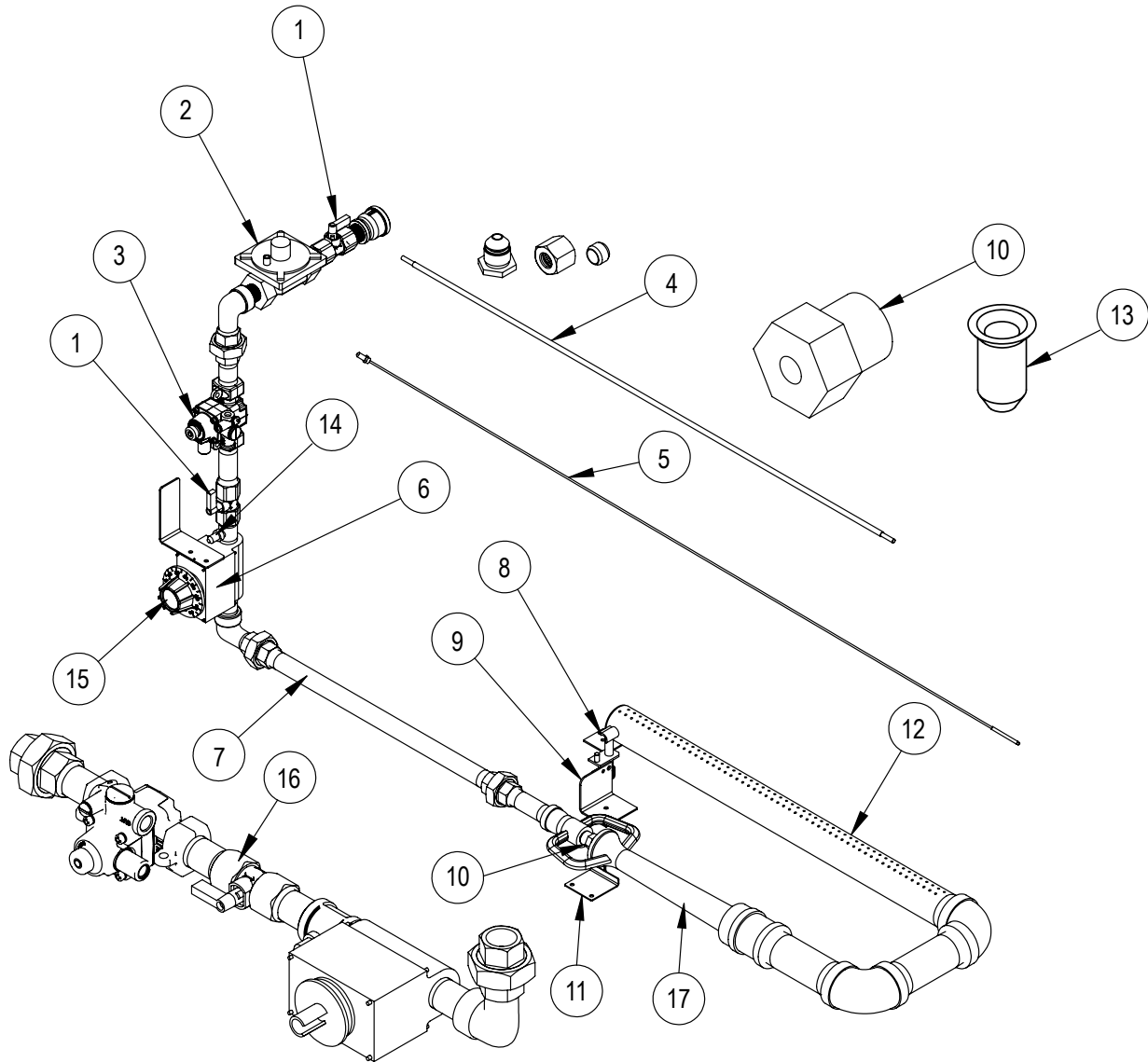
| REF. NO. | PART NO. | DESCRIPTION  |
|----------|----------|--|
| 1        | 70380    | BALL VALVE, 1/2" NPT   |
| 2*       | 71881    | GAS REGULATOR, NAT   |
| 2*       | 71882    | GAS REGULATOR, LP  |
| 3*       | 55127    | TS11 SAFETY VALVE, 1/4" TUBE FIT                                       |
| 4        | 72290    | PILOT TUBE KIT, 42"  |
| 5        | 52091    | THERMOCOUPLE, 48" LEAD   |
| 6*       | 71880    | THERMOSTAT, 300-650 W/KNOB   |
| 7        | 70729    | NIPPLE, 1/2 X 14-1/4   |
| 8        | 55132    | PILOT ASSY, NAT (ORDER WITH 70482 "LP PILOT ORIFICE CUP" FOR LP OVENS) |
| 9        | 70100    | PILOT BRACKET  |
| 10       | 70382    | ORIFICE, #33 (NAT)   |

| REF. NO. | PART NO. | DESCRIPTION        |
|----------|----------|--------------------|
| 10       | 70471    | ORIFICE, #54 (LP)  |
| 11       | 70049    | VENTURI STOPPER    |
| 12       | 70760    | BURNER ASSY        |
| 13       | 70481    | PILOT ORIFICE, NAT |
| 13       | 70482    | PILOT ORIFICE, LP  |
| 14       | 70434    | PRESSURE TAP, 1/8  |
| 15*      | 70044    | KNOB, THERMOSTAT   |
| 16       | 70040    | STACK ASSEMBLY     |
| 17       | 70094    | VENTURI            |

\* SEE "CE APPROVED COMPONENTS" AT THE END OF THIS DOCUMENT

# BURNER AND PIPING PARTS

## SD 248 OVEN



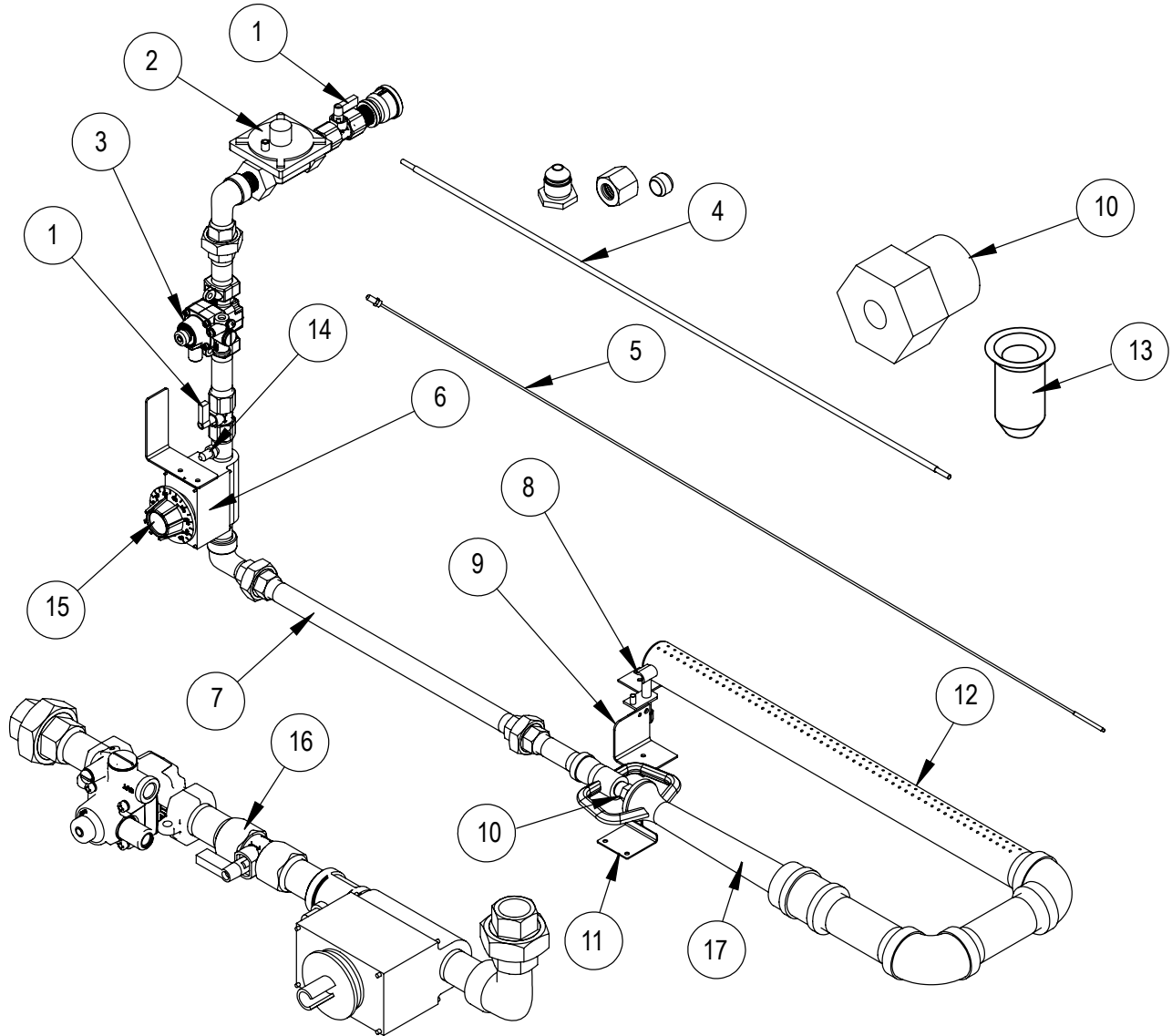
| REF. NO. | PART NO. | DESCRIPTION  |
|----------|----------|--|
| 1        | 70380    | BALL VALVE, 1/2"NPT  |
| 2*       | 71881    | GAS REGULATOR, NAT   |
| 2*       | 71882    | GAS REGULATOR, LP  |
| 3*       | 55127    | TS11 SAFETY VALVE, 1/4" TUBE FIT                                       |
| 4        | 72290    | PILOT TUBE KIT, 42"  |
| 5        | 52091    | THERMOCOUPLE, 48" LEAD   |
| 6*       | 71880    | THERMOSTAT, 300-650 W/KNOB   |
| 7        | 70299    | 1/2" NPT X 24" PIPE  |
| 8        | 55132    | PILOT ASSY, NAT (ORDER WITH 70482 "LP PILOT ORIFICE CUP" FOR LP OVENS) |
| 9        | 70100    | PILOT BRACKET  |

| REF. NO. | PART NO. | DESCRIPTION        |
|----------|----------|--------------------|
| 10       | 70384    | ORIFICE, #30 (NAT) |
| 10       | 70468    | ORIFICE, #47 (LP)  |
| 11       | 70049    | VENTURI STOPPER    |
| 12       | 71360    | BURNER ASSY        |
| 13       | 70481    | PILOT ORIFICE, NAT |
| 13       | 70482    | PILOT ORIFICE, LP  |
| 14       | 70434    | PRESSURE TAP, 1/8  |
| 15*      | 70044    | KNOB, THERMOSTAT   |
| 16       | 70040    | STACK ASSEMBLY     |
| 17       | 70094    | VENTURI            |

\* SEE "CE APPROVED COMPONENTS" AT THE END OF THIS DOCUMENT

# BURNER AND PIPING PARTS

## SD 260 OVEN



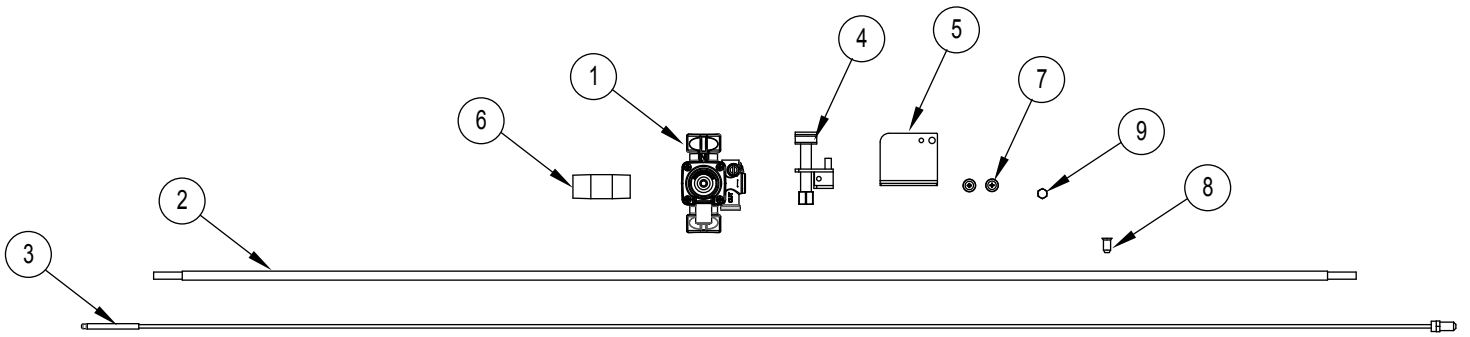
| REF. NO. | PART NO. | DESCRIPTION  |
|----------|----------|--|
| 1        | 70380    | BALL VALVE, 1/2" NPT   |
| 2*       | 71881    | GAS REGULATOR, NAT   |
| 2*       | 71882    | GAS REGULATOR, LP  |
| 3*       | 55127    | TS11 SAFETY VALVE, 1/4" TUBE FIT                                       |
| 4        | 72290    | PILOT TUBE KIT, 42"  |
| 5        | 52091    | THERMOCOUPLE, 48" LEAD   |
| 6*       | 71880    | THERMOSTAT, 300-650 W/KNOB   |
| 7        | 70042    | 1/2" NPT X 33-1/4" PIPE  |
| 8        | 55132    | PILOT ASSY, NAT (ORDER WITH 70482 "LP PILOT ORIFICE CUP" FOR LP OVENS) |
| 9        | 70100    | PILOT BRACKET  |
| 10       | 70469    | ORIFICE, #25 (NAT)   |

| REF. NO. | PART NO. | DESCRIPTION        |
|----------|----------|--------------------|
| 10       | 70470    | ORIFICE, #40 (LP)  |
| 11       | 70049    | VENTURI STOPPER    |
| 12       | 70702    | BURNER ASSY        |
| 13       | 70481    | PILOT ORIFICE, NAT |
| 13       | 70482    | PILOT ORIFICE, LP  |
| 14       | 70434    | PRESSURE TAP, 1/8  |
| 15*      | 70044    | KNOB, THERMOSTAT   |
| 16       | 70040    | STACK ASSEMBLY     |
| 17       | 70094    | VENTURI            |

\* SEE "CE APPROVED COMPONENTS" AT THE END OF THIS DOCUMENT

# BURNER AND PIPING PARTS

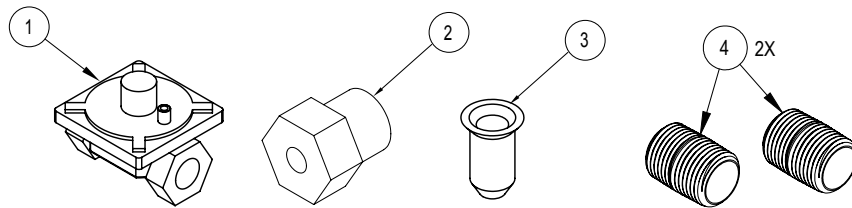
## PILOT UPGRADE SAFETY VALVE KIT FOR OVENS BUILT BEFORE 10/2008



| REF. NO. | PART NO.     | DESCRIPTION  |
|----------|--------------|--|
|          | <b>70376</b> | <b>PILOT UPGRADE SAFETY VALVE KIT INCLUDES THE FOLLOWING PARTS</b> |
| 1        | 55127        | TS11 SAFETY VALVE  |
| 2        | 70046        | PILOT TUBING, 42"  |
| 3        | 52091        | THERMOCOUPLE, 48" LEAD   |
| 4        | 70101        | PILOT ASSY, W/ORIFICE  |
| 5        | 55132        | PILOT BRACKET  |

| REF. NO. | PART NO. | DESCRIPTION                             |
|----------|----------|---|
| 6        | 70233    | NIPPLE, 1/2" X 2" BLACK                 |
| 7        | 70729    | SCREW, 8-18 X 1/2" DRILL POINT (QTY. 2) |
| 8        | 70482    | .010 PILOT ORIFICE CUP, LP              |
| 9        | 71852    | SCREW, 10-32 X 1/4" HEX HEAD            |

## GAS CONVERSION KITS



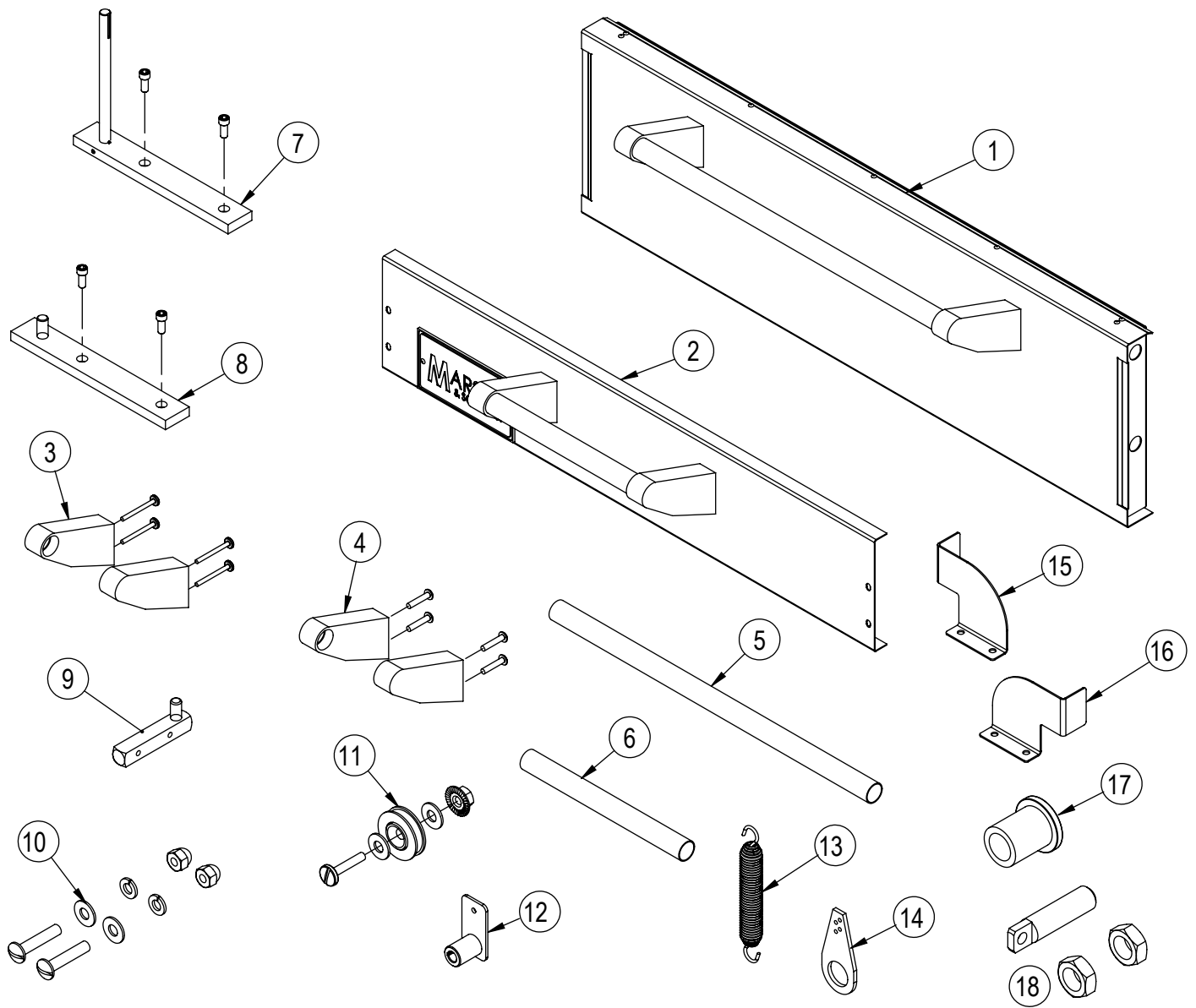
| REF. NO. | PART NO.  | DESCRIPTION                      |
|----------|-----------|----------------------------------|
|          | 71987     | Natural to LP Gas Conversion Kit |
| 1        | 70386     | Gas Regulator, LP                |
| 2        | See Chart | Burner Orifice, LP               |
| 3        | 70482     | Pilot Orifice, LP                |
| 4        | 70255     | Close Nipple, 1/2 NPT" (Qty 2)   |

| REF. NO. | PART NO.  | DESCRIPTION                      |
|----------|-----------|----------------------------------|
|          | 71988     | LP to Natural Gas Conversion Kit |
| 1        | 70385     | Gas Regulator, NAT               |
| 2        | See Chart | Burner Orifice, NAT              |
| 3        | 70481     | Pilot Orifice, NAT               |
| 4        | 70255     | Close Nipple, 1/2 NPT" (Qty 2)   |

| SD BURNER ORIFICES |         |         |
|--------------------|---------|---------|
| MODEL              | NATURAL | PROPANE |
| SD236              | 70382   | 70471   |
| SD248              | 70384   | 70468   |
| SD260              | 70469   | 70470   |
| SD448/SD1048       | 70381   | 70492   |
| SD660/SD1060       | 70383   | 70491   |
| SD866/SD10866      | 70383   | 70491   |

# DOOR PARTS

## SD 236 OVEN

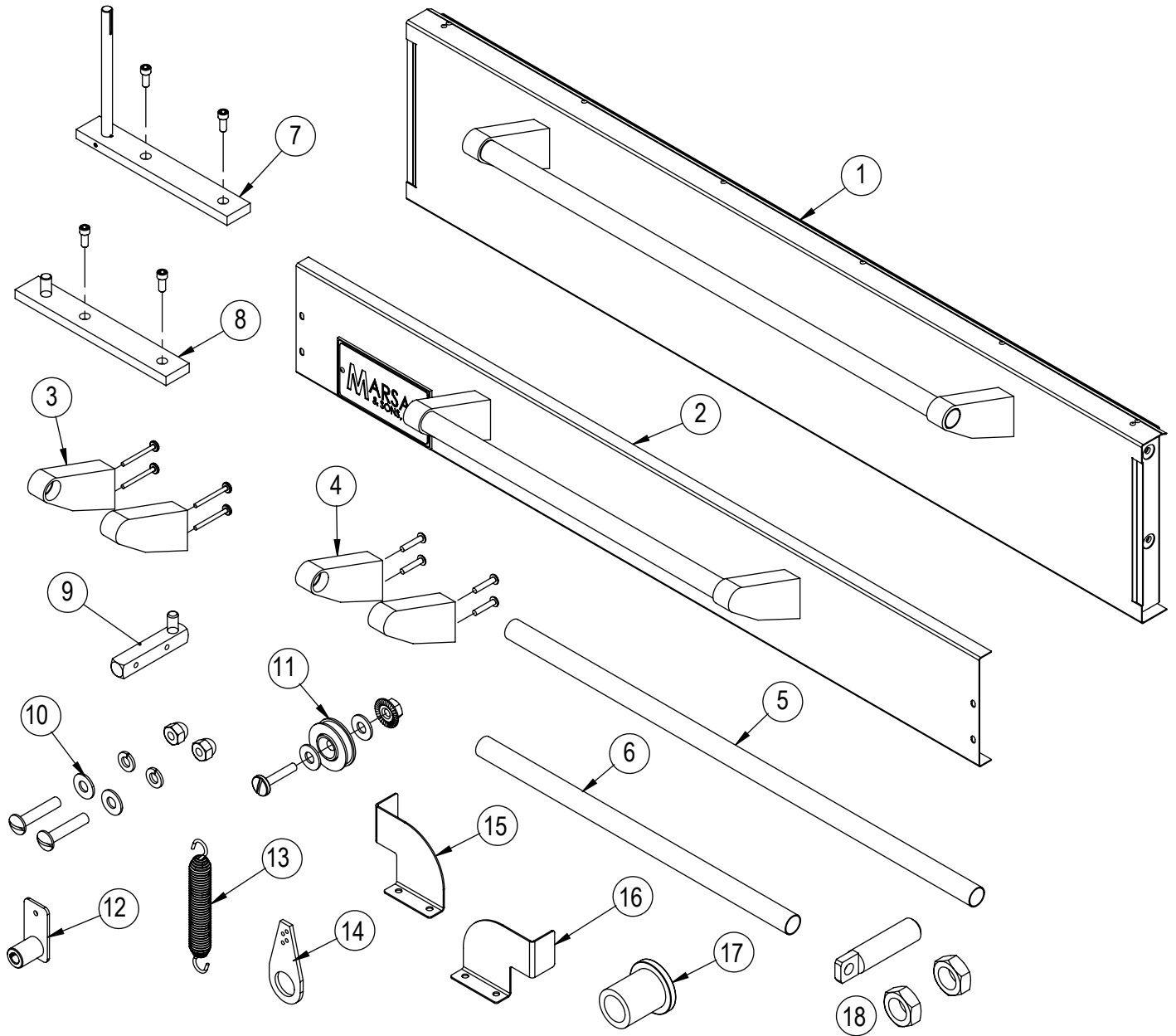


| REF. NO. | PART NO. | DESCRIPTION                    |
|----------|----------|--------------------------------|
| 1        | 71918    | BAKING DOOR SVC KIT, SD236     |
| 2        | 71984    | BURNER DOOR SVC KIT, SD236     |
| 3        | 71892    | SD DOOR HANDLE BRACKET KIT     |
| 4        | 71985    | BURNER DOOR HANDLE BRACKET KIT |
| 5        | 71138    | 20" DOOR HANDLE, S/S           |
| 6        | 71330    | 10" DOOR HANDLE, S/S           |
| 7        | 71886    | SD OVEN DOOR HINGE KIT, LH     |
| 8        | 71890    | SD 10" OVEN DOOR HINGE KIT, RH |
| 9        | 70143    | BURNER DOOR HINGE ASSY         |

| REF. NO. | PART NO. | DESCRIPTION                    |
|----------|----------|--------------------------------|
| 10       | 71930    | BURNER DOOR HINGE HARDWARE KIT |
| 11       | 71910    | SPRING WHEEL KIT               |
| 12       | 71331    | COUPLING ASSY                  |
| 13       | 70416    | SPRING                         |
| 14       | 70432    | TEAR DROP, 4-3/8"              |
| 15       | 70671    | BURNER DOOR STOP, RH           |
| 16       | 70107    | BURNER DOOR STOP, LH           |
| 17       | 70154    | BUSHING, DOOR PIN              |
| 18       | 72286    | SPRING ANCHOR KIT              |

# DOOR PARTS

## SD 248 OVEN

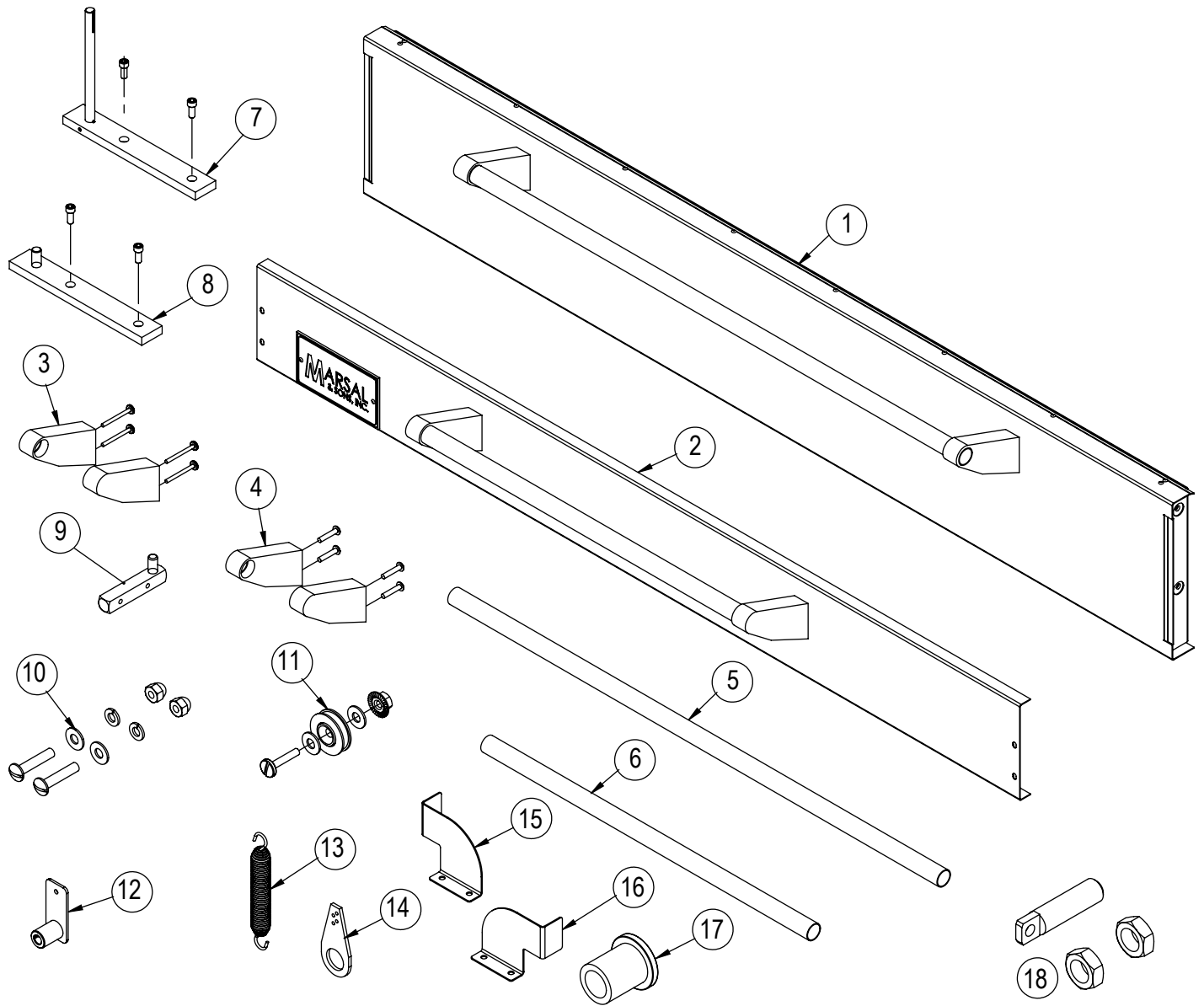


| REF. NO. | PART NO. | DESCRIPTION                    |
|----------|----------|--------------------------------|
| 1        | 71913    | BAKING DOOR SVC KIT, SD448     |
| 2        | 71982    | BURNER DOOR SVC KIT, SD448     |
| 3        | 71892    | SD DOOR HANDLE BRACKET KIT     |
| 4        | 71985    | BURNER DOOR HANDLE BRACKET KIT |
| 5        | 70429    | 30" DOOR HANDLE, S/S           |
| 6        | 71138    | 20" DOOR HANDLE, S/S           |
| 7        | 71866    | SD OVEN DOOR HINGE KIT, LH     |
| 8        | 71890    | SD 10" OVEN DOOR HINGE KIT, RH |
| 9        | 70143    | BURNER DOOR HINGE ASSY         |

| REF. NO. | PART NO. | DESCRIPTION                    |
|----------|----------|--------------------------------|
| 10       | 71930    | BURNER DOOR HINGE HARDWARE KIT |
| 11       | 71910    | SPRING WHEEL KIT               |
| 12       | 71331    | COUPLING ASSY                  |
| 13       | 70416    | SPRING                         |
| 14       | 70432    | TEAR DROP, 4-3/8"              |
| 16       | 70671    | BURNER DOOR STOP, RH           |
| 16       | 70107    | BURNER DOOR STOP, LH           |
| 17       | 70154    | BUSHING, DOOR PIN              |
| 18       | 72286    | SPRING ANCHOR KIT              |

# DOOR PARTS

## SD 260 OVEN

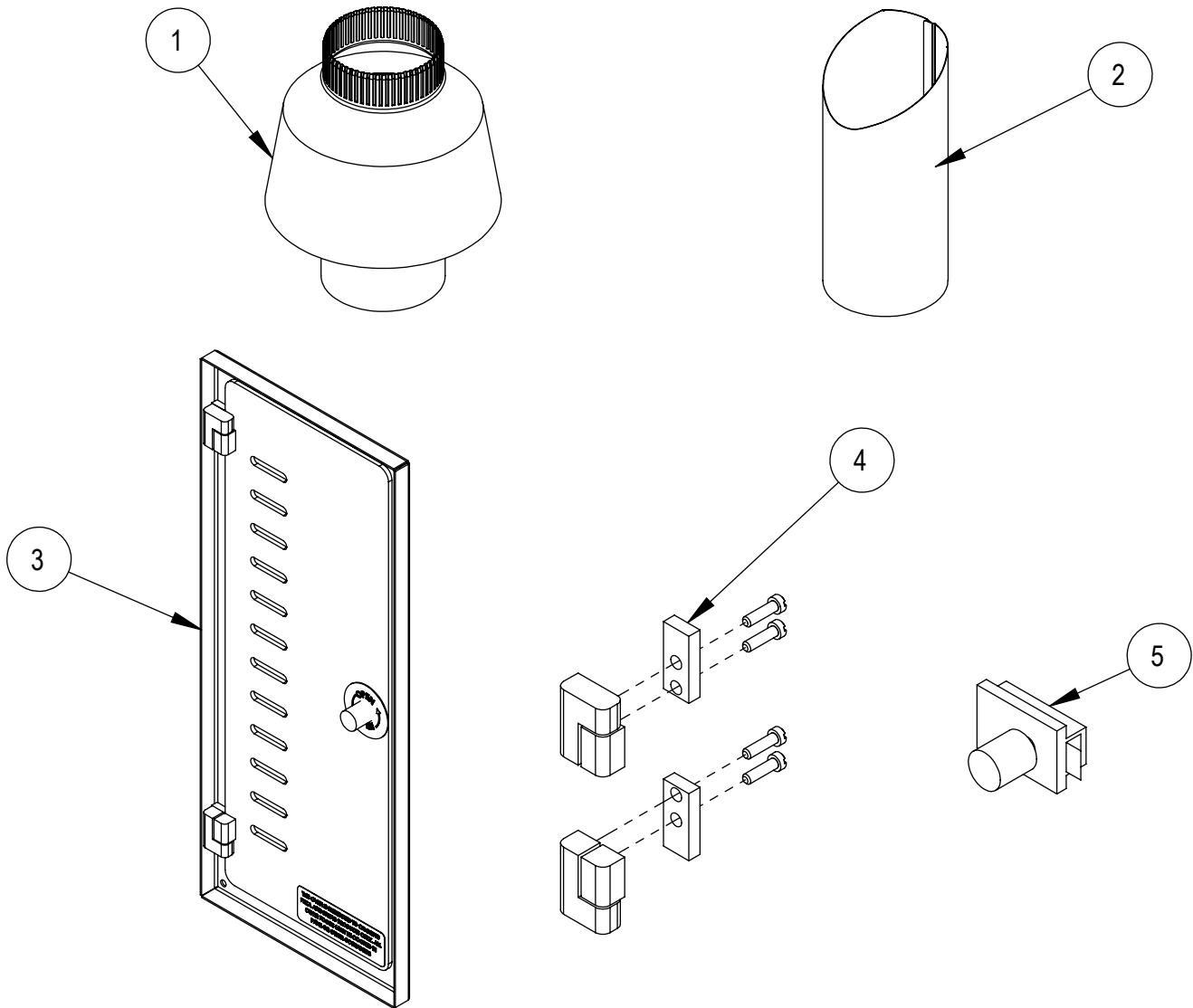


| REF. NO. | PART NO. | DESCRIPTION                    |
|----------|----------|--------------------------------|
| 1        | 71912    | BAKING DOOR SVC KIT, SD660     |
| 2        | 71981    | BURNER DOOR SVC KIT, SD660     |
| 3        | 71892    | SD DOOR HANDLE BRACKET KIT     |
| 4        | 71985    | BURNER DOOR HANDLE BRACKET KIT |
| 5        | 70430    | 36" DOOR HANDLE, S/S           |
| 6        | 70431    | 24" DOOR HANDLE, S/S           |
| 7        | 71866    | SD OVEN DOOR HINGE KIT, LH     |
| 8        | 71890    | SD 10" OVEN DOOR HINGE KIT, RH |
| 9        | 70143    | BURNER DOOR HINGE ASSY         |

| REF. NO. | PART NO. | DESCRIPTION                    |
|----------|----------|--------------------------------|
| 10       | 71930    | BURNER DOOR HINGE HARDWARE KIT |
| 11       | 71910    | SPRING WHEEL KIT               |
| 12       | 71043    | COUPLING ASSY                  |
| 13       | 70416    | SPRING                         |
| 14       | 70432    | TEAR DROP, 4-3/8"              |
| 16       | 70671    | BURNER DOOR STOP, RH           |
| 16       | 70107    | BURNER DOOR STOP, LH           |
| 17       | 70154    | BUSHING, DOOR PIN              |
| 18       | 72286    | SPRING ANCHOR KIT              |

# SD CONTROL DOOR AND FLUES

## ALL OVENS

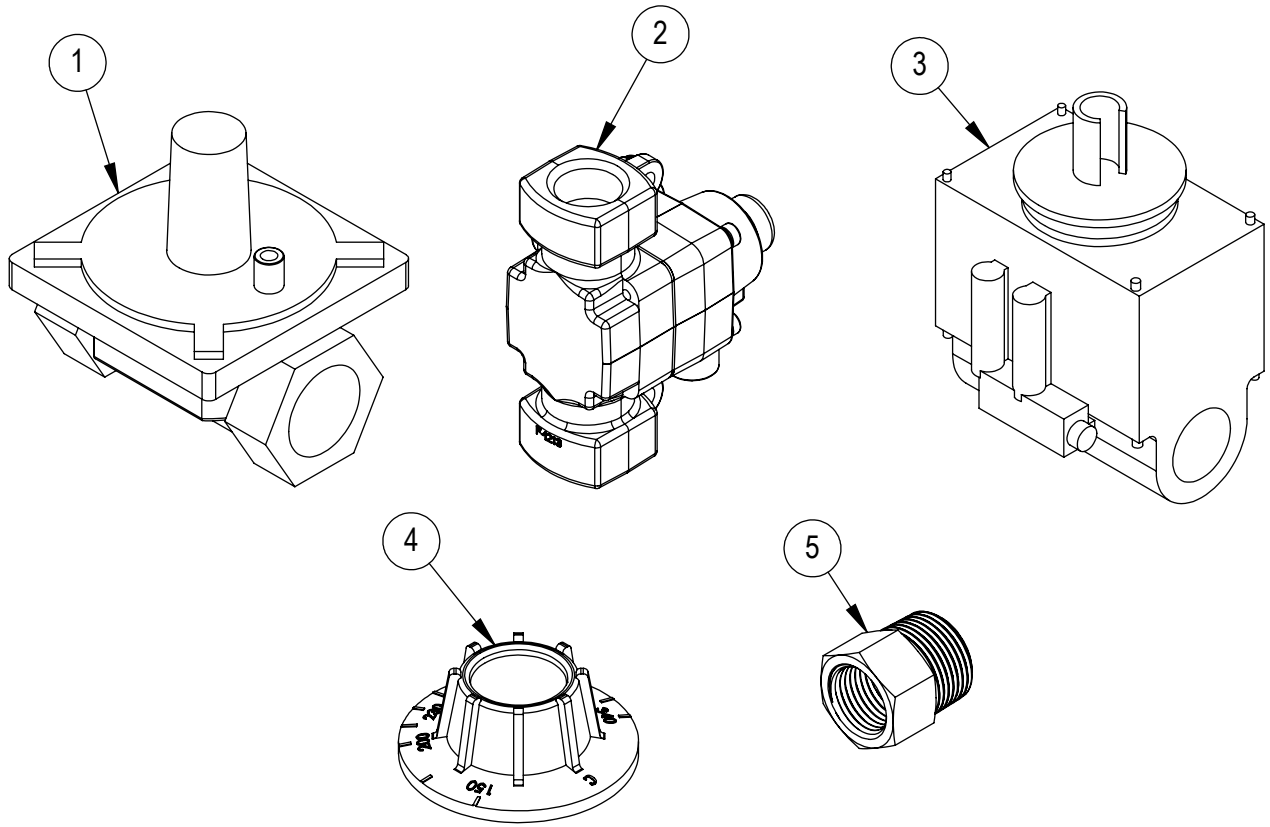


| REF. NO. | PART NO. | DESCRIPTION                      |
|----------|----------|----------------------------------|
| 1        | 70427    | DRAFT HOOD                       |
| 2        | 70103    | CHIMNEY TOP                      |
| 3        | 71067    | SD CONTROL DOOR ASSY W/ S/S TRIM |
| 4        | 71905    | CONTROL DOOR HINGE KIT           |
| 5        | 70128    | LATCH, CONTROL PANEL             |



# CE APPROVED COMPONENTS

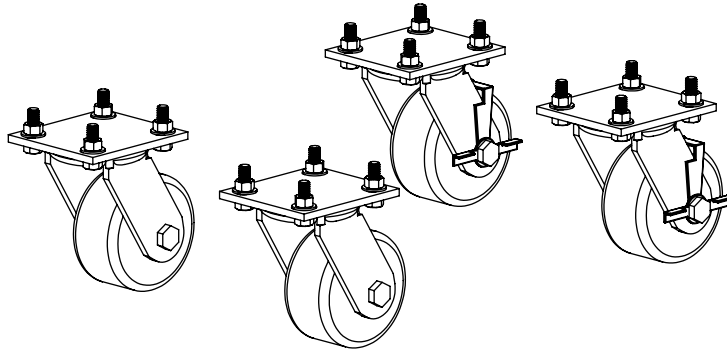
## ALL OVENS



| REF. NO. | PART NO. | DESCRIPTION                      |
|----------|----------|----------------------------------|
| 1        | 72288    | PRESSURE REGULATOR, CE           |
| 2        | 72289    | GAS VALVE, CE                    |
| 3        | 72443    | THERMOSTAT, CE                   |
| 4        | 9635     | KNOB, THERMOSTAT, CE             |
| 5        | 72276    | ADAPTER, 1/2 NPT, FEM X 3/4 BSPT |

# ACCESSORIES

## ALL OVENS



| REF. NO. | PART NO. | DESCRIPTION       |
|----------|----------|-------------------|
| 1        | 72546    | CASTERS, SET OF 4 |