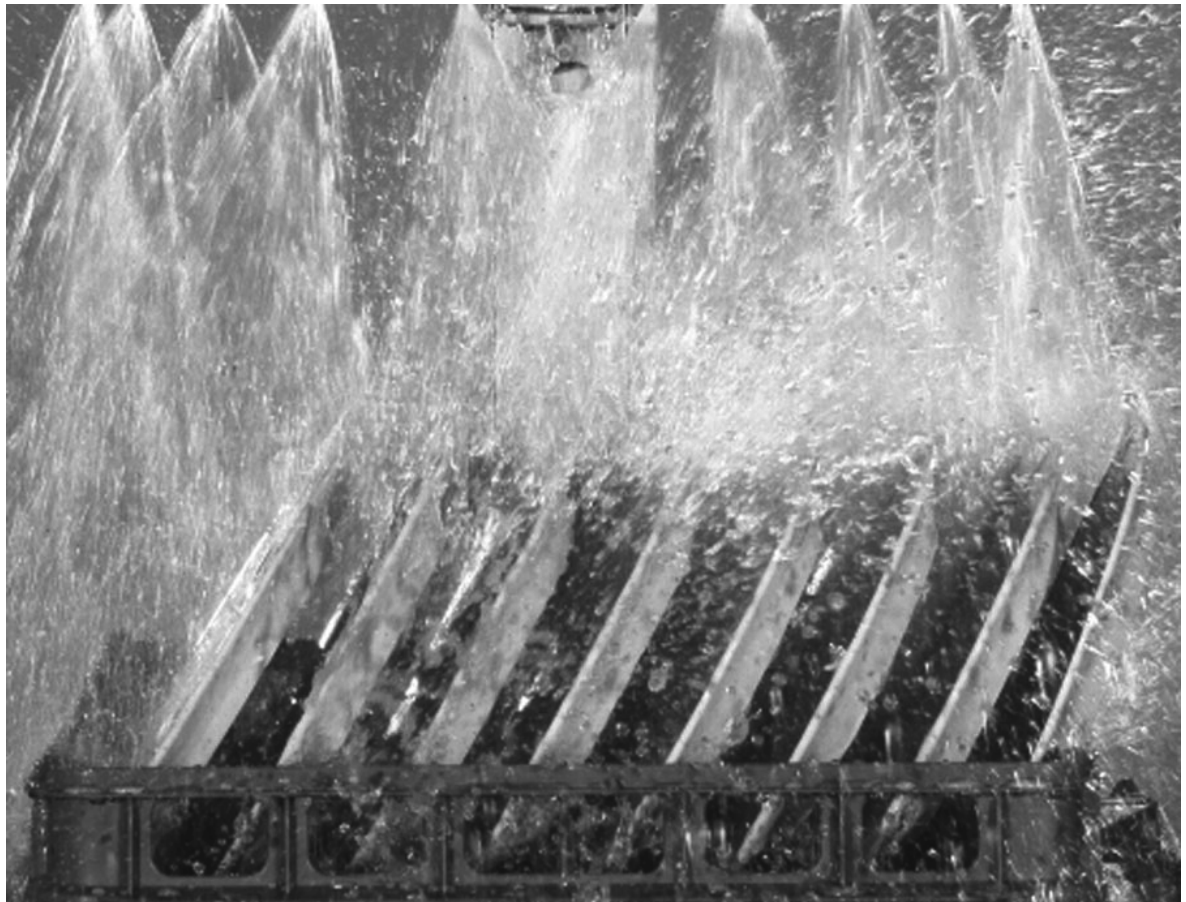


Spare parts list



Dish- and glasswashing machines

DV 200.2 208 – 230V / 460V / 60HZ 3P / MIKE 2



DV 200.2

Contents:

	Seite/ Page
01.28 WASH PUMP	4
03.29 WASH SYSTEM	6
04.27 SOLENOID VALVE	7
06.07 LEVEL CONTROL	9
08.51 INCORPORATED BOILER	10
09.15 TANK HEATING	12
10.14 DOSING UNITS	13
11.63 ELECTRONIC CONTROL 208-230V	14
11.64 ELECTRONIC CONTROL 460V	16
13.44 COMPONENT BLOCKS/PARTS	19
14.10 HOOD ROD	20
18.20 DRAIN PUMP	22
22.23 BOOSTER PUMP	24
24.07 AIR GAP	25

LEGEND KEY FOR PARTS

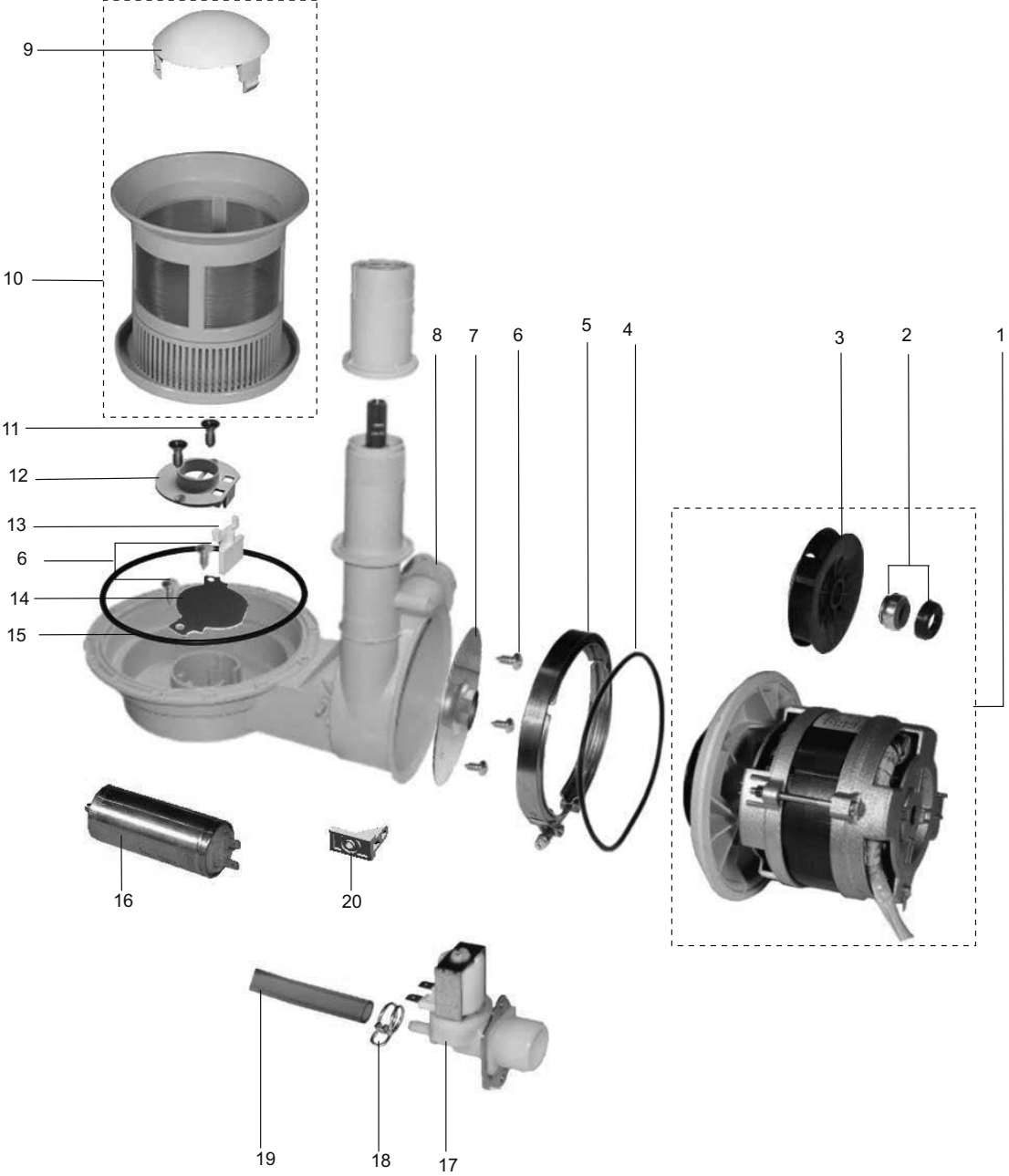
* / V WE RECOMMEND HAVING THESE PARTS IN STOCK

V WEAR AND TEAR PART

WE RESERVE THE RIGHT TO CHANGE EXECUTION AND CONTRUCTION OF THESE PARTS

Meiko USA Inc.
917 Airpark Center Dr.
Nashville, TN 37217
USA
Toll Free (800) 55-MEIKO
FAX (615) 399-6620
www.meiko.us
info@meiko.us

01.28 WASH PUMP

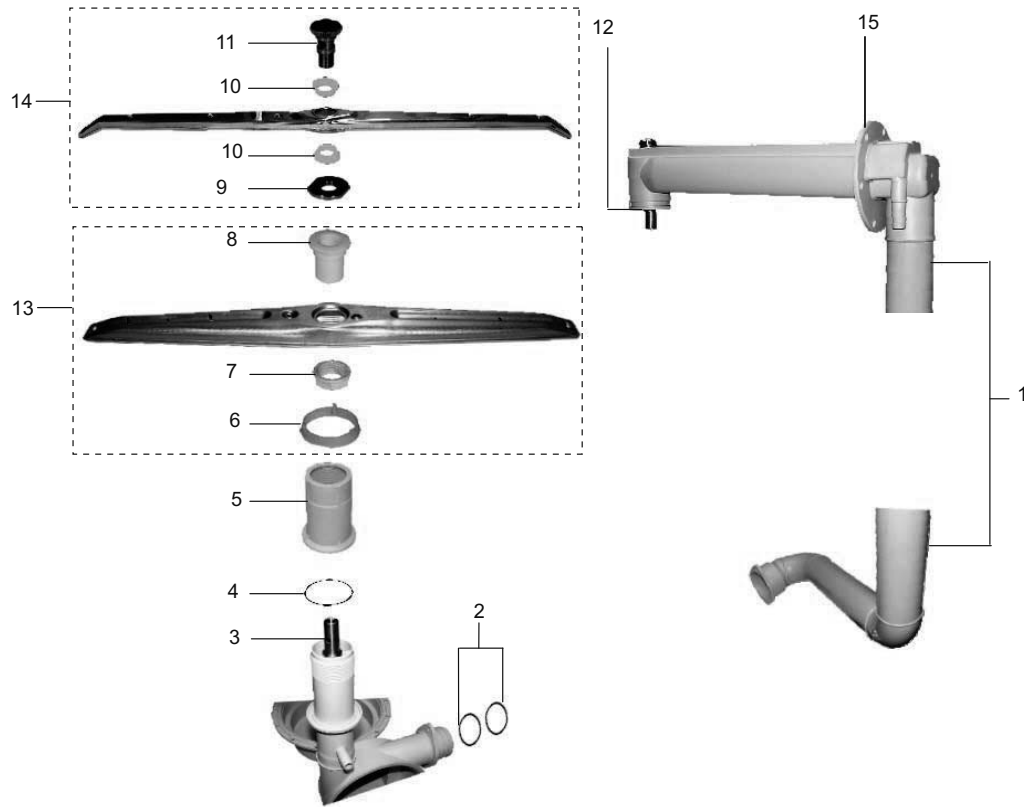


01.28 WASH PUMP



POS	PART NO.	DESCRIPTION
1 *	9621713	WASH PUMP CPL. 0.73 KW 60HZ <u>208-230V</u>
*	9621714	WASH PUMP CPL. 0.73 KW 60HZ <u>460V</u>
2 V	9519539	SLIDING SEAL CPL.
3 *	9536915	PUMP WHEEL
4 *	9515339	O-RING 145X4
5	9519356	PROFILE CUP
6	0330020-H	SCREW 4.2X13
7	9538647	PUMP BASE
8	9538643	PUMP HOUSING
9	9607788	COVERING CAP
10 *	9612003	SUCTION SIEVE CPL.
11	0330039-H	SCREW 4.2X22
12	9600744	DRAIN HOUSING
13	9601543	FLAP
14	9549510	DEFLECTION SHEET
15 *	0401061	O-RING 206.5X3.53
16 *	0501136	CONDENSER 208-230V
	0501090	CONDENSER 460V
17 *	9544641	SMOOTH START VALVE
18	9500045-H	HOSE WIRE CLAMP YELLOW
19	0260007	HOSE TRANSPARENT 06
20	9611748	DOSING BUSH FOR SMOOTH START

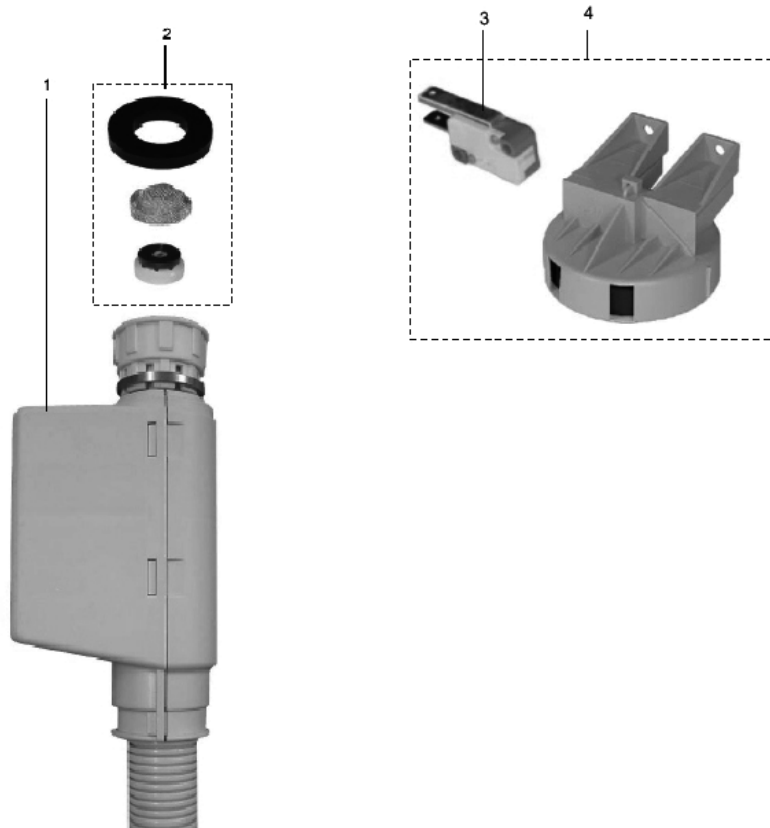
03.29 WASH SYSTEM



POS	PART NO.	DESCRIPTION	Rebuild Kit Part #9207851
-----	----------	-------------	---------------------------

1	9538681	ASCENDING PIPE
2	9541533	O-RING 46X3
3	9514453	LOWER BEARING NECK
4 *	9541532	O-RING 54.5X3
5	9538625	NUT
6 *	9520931	RING
7 *	9517398	NUT
8 *	9517397	BEARING
9	9604483	DISK
10 *	9522439	BEARING
11	9517409	KNURLED SCREW
12	9538645	FIXING TUBE
	9550206	CLOSING CAP
	8004468	SPACER DISC
	0401016	O-RING 21X2
13	9517391	WASH ARM CPL.
14	9547257	FINAL RINSE ARM CPL.
15	0401065	O-RING 84X2

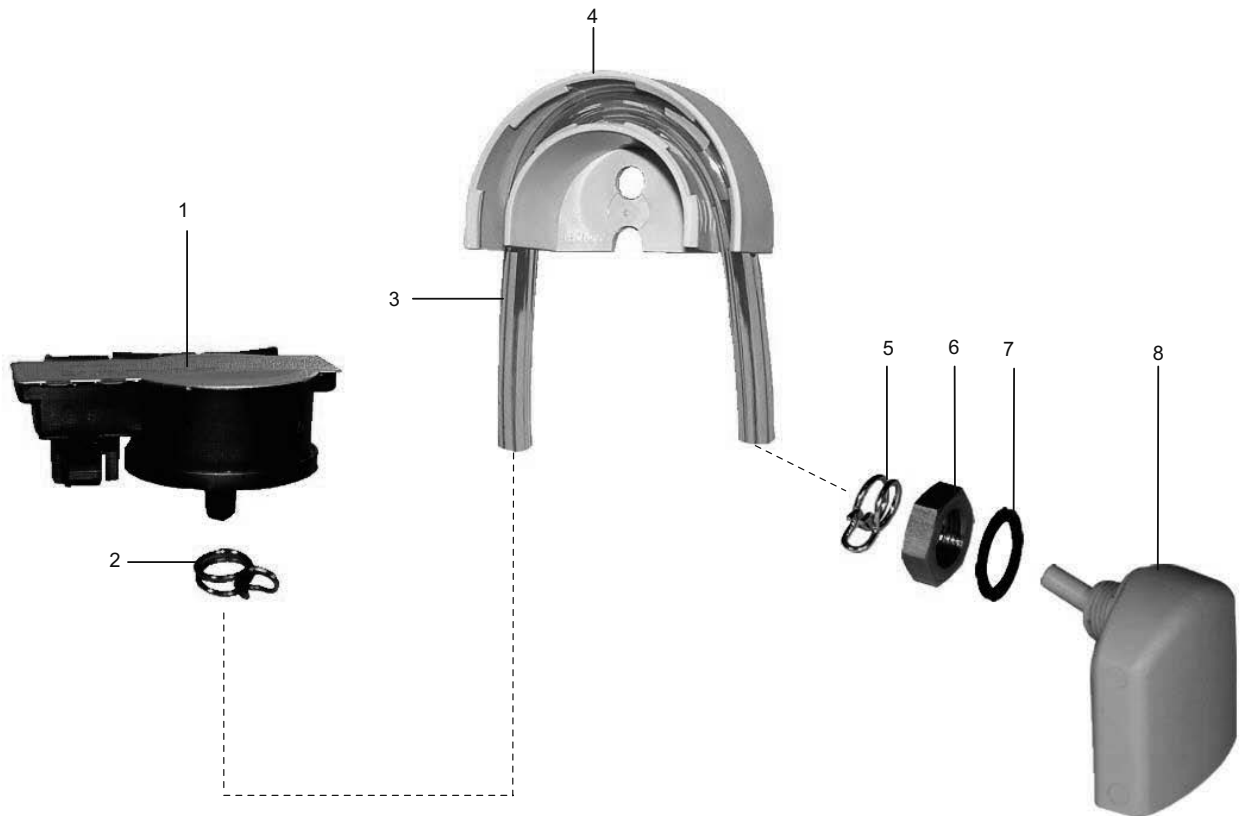
04.27 SOLENOID VALVE



POS	PART NO.	DESCRIPTION
-----	----------	-------------

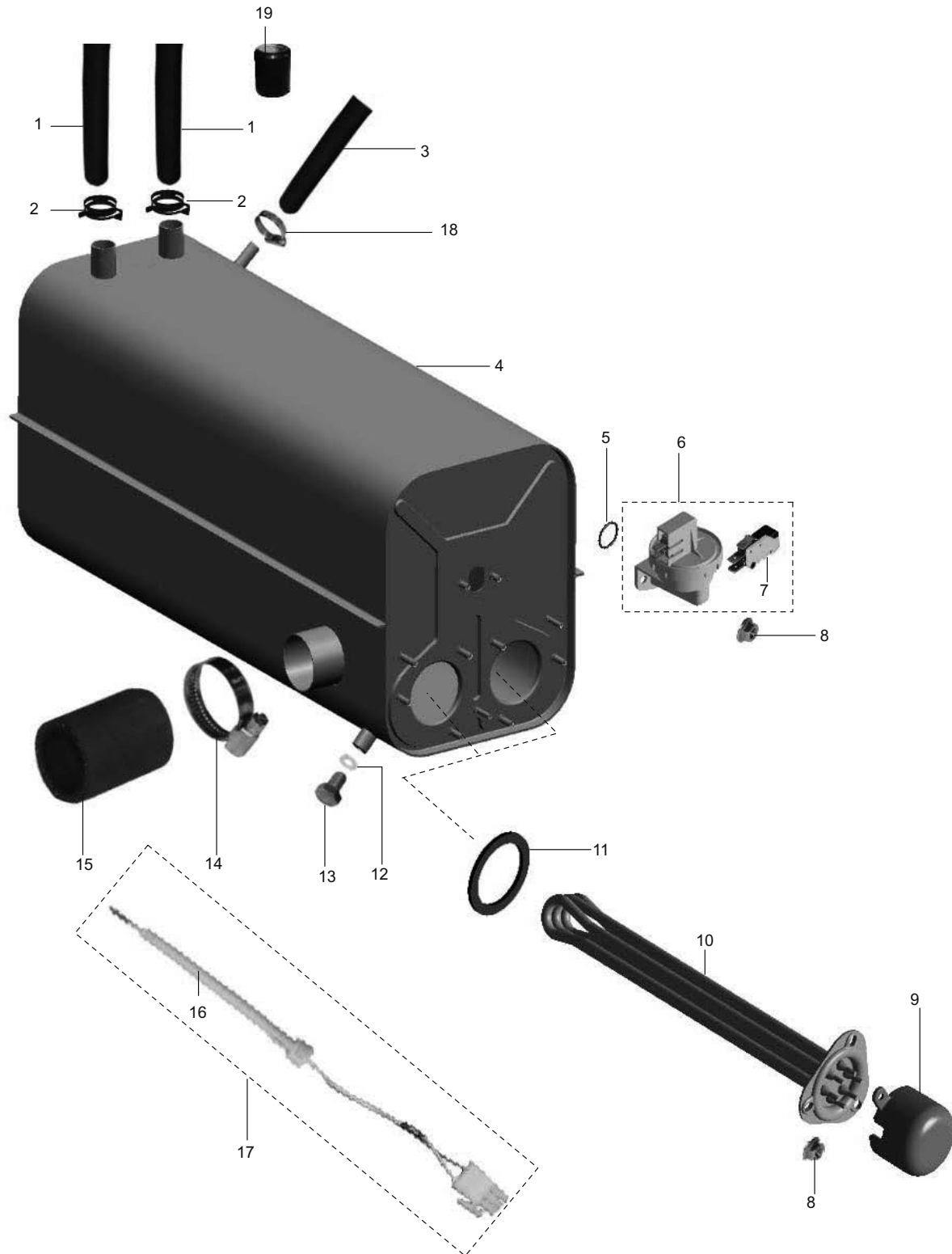
1 *	9604362	AQUASTOP SYSTEM 24V L=1800MM
2 *	9617744	FLAT PACKING 13X24.9X3
3 *	9520085	MICROSWITCH
4 *	9622935	GROUND FLOAT SWITCH CPL.

06.07 LEVEL CONTROL



POS	PART NO.	DESCRIPTION
1 *	9537961	LEVER SWITCH
2 *	9500044	HOSE WIRE CLAMP SILVER
3 *	0260006	HOSE TRANSPARENT 05
4	9601265	HOSE BRACKET
5 *	9500045-H	HOSE WIRE CLAMP YELLOW
6	9515957	NUT 3/8"
7 *	9515964	PACKING
8 *	9515955	AIR TRAP

08.51 INCORPORATED BOILER



08.51 INCORPORATED BOILER



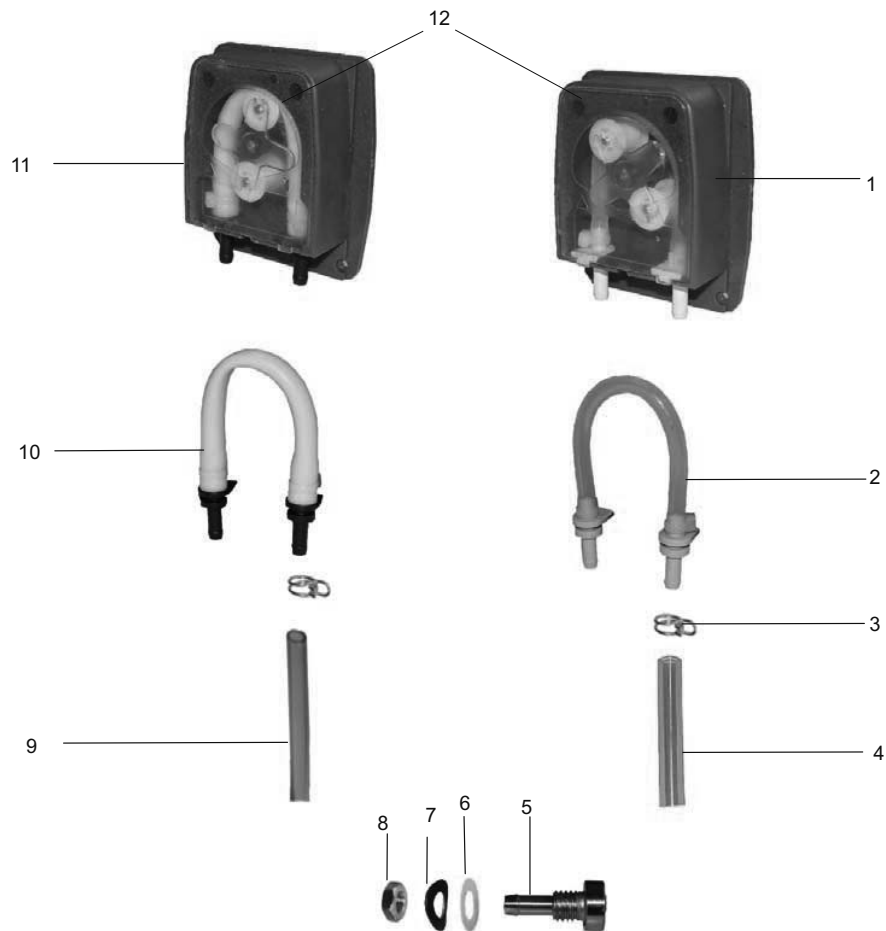
POS	PART NO.	DESCRIPTION
1 *	9608600	HOSE CPL. 1/2"
2	9607418	HOSE CLAMP TAPE 021
3	9608607	HOSE CPL. 3/8"
4	9604799	BOILER
5 *	0401014	O-RING 18X2
6 *	9622898	LEVEL SWITCH CPL.
7 *	0122103	MICROSWITCH
8	0335008-H	NUT M5
9	0620312	CLOSING CAP
10 *	9546196	HEATING ELEMENT 9KW WITH THERMAL PROTECTION FOR 208-230V/460V
11 *	0101176	HEATING ELEMENT PACKING
12 *	0408001	PACKING 8X17X1.5
13	0302006-H	SCREW M8X15
14	0233046	HOSE WIRE CLAMP 32-50
15	9600820	HOSE
16	9639301	CABLE CLAMP
17	9640339	TEMPERATURE PROBE ASSEMBLY
	9634739	TEMPERATURE PROBE
18	0233035	HOSE WIRE CLAMP
19	0108038	TEMPERATURE LIMITER FOR 460V

09.15 TANK HEATING



POS	PART NO.	DESCRIPTION
1 *	9546105	HEATING ELEMENT 200-240V 1.5 - 2.2 KW
2 *	0408008	FLAT PACKING 14X25X1.5
3	9548754	PROTECTION AGAINST CONTACT

10.14 DOSING UNITS



POS	PART NO.	DESCRIPTION
1 *	9544293	RINSE AID DOSING PUMP CPL.
2 V	9544088	HOSE RINSE AID CPL.
3 *	9500045-H	HOSE WIRE CLAMP YELLOW
4 *	9538712	HOSE BLUE 06
5	8000013	HOSE CONNECTION
6 *	9603787	FLAT PACKING 10X16X2
7	9603790	SPRING WASHER M10
8	0335019	HEXAGON NUT
9 *	0260007	HOSE TRANSPARENT 06
10 V	9511675	HOSE DETERGENT CPL.
11 *	9544292	DETERGENT DOSING PUMP CPL.
12	9203579	YELLOW PUMP COVER

July 23, 2008



Service Bulletin

100072308

Subject: New Touch Panel Rollout (New Part #9207357)

Affects: FV40.2, DV80.2, DV120.2, and DV200.2 models; All Field Inventory

Meiko has changed our Touch Panel design and part number. In our efforts to swap all old inventory in the field, we need your help!

Effective immediately!!

If you have any of the five (5) part numbers listed below (Fig. 1) in your stock, please contact our parts department *immediately* for an RMA# to have them returned for offsetting credit. These five part numbers can NO LONGER be used; they must be replaced with our new part number 9207357 (See Fig. 2).



*Fig. 1
(Do Not Use)*

Our new Touch Panel replaces all previous versions listed above in Fig. 1.



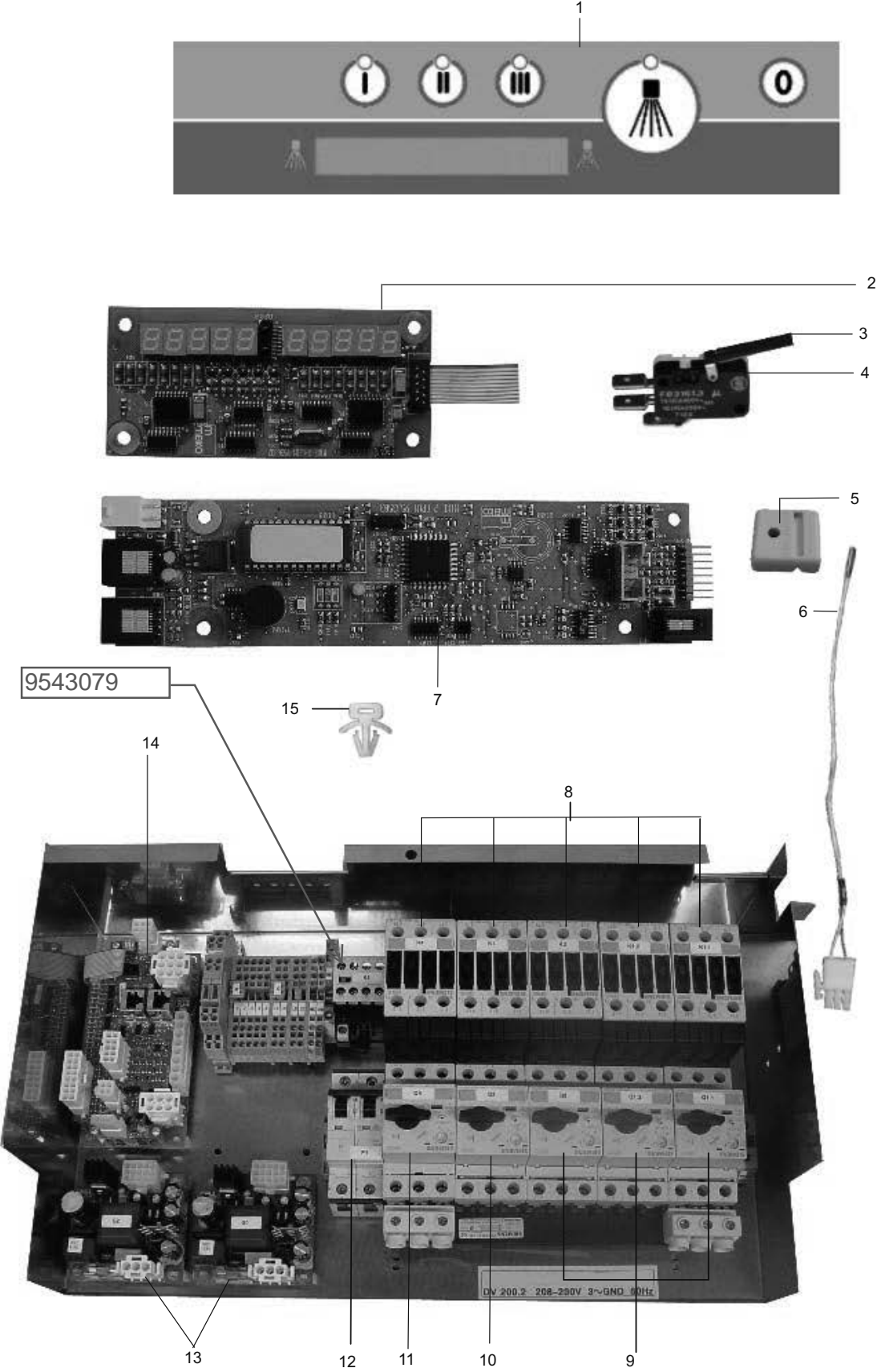
*Fig. 2
(New Style)*

As always, we thank you for your cooperation and continued support.

The Meiko Factory Support Team

Meiko 917 Airpark Center Drive Nashville TN 37217
Phone: 615.399.6600 800.868.3840 Service fax: 615.399.6620

11.63 ELECTRONIC CONTROL 208-230V



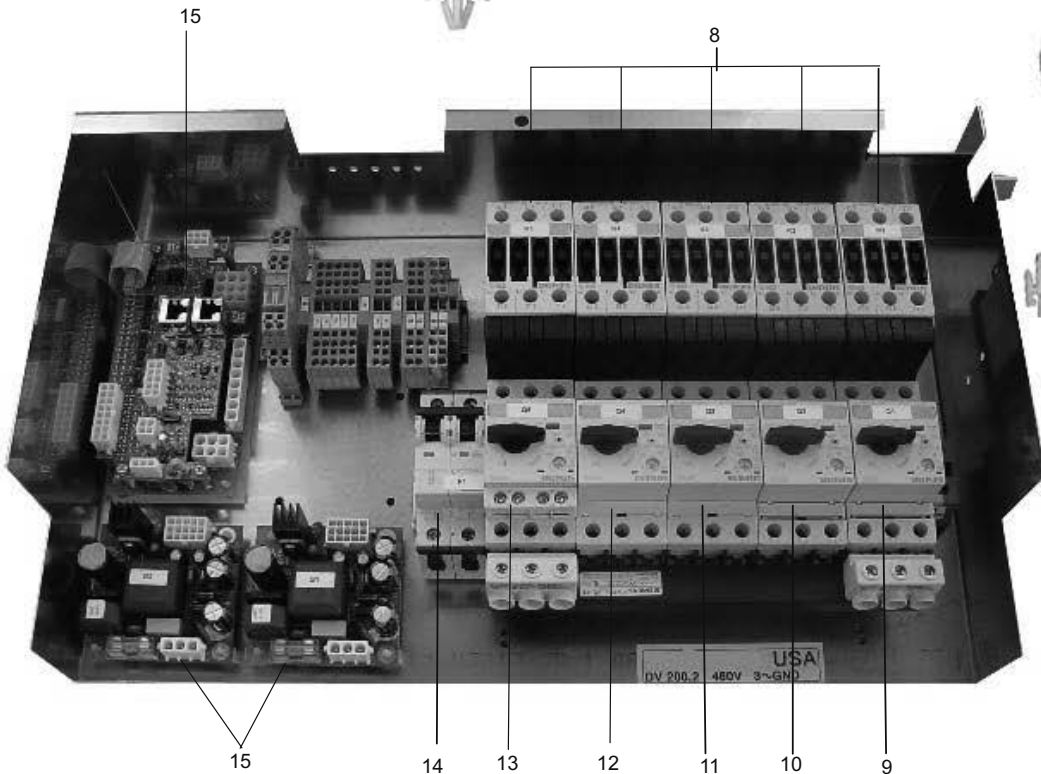
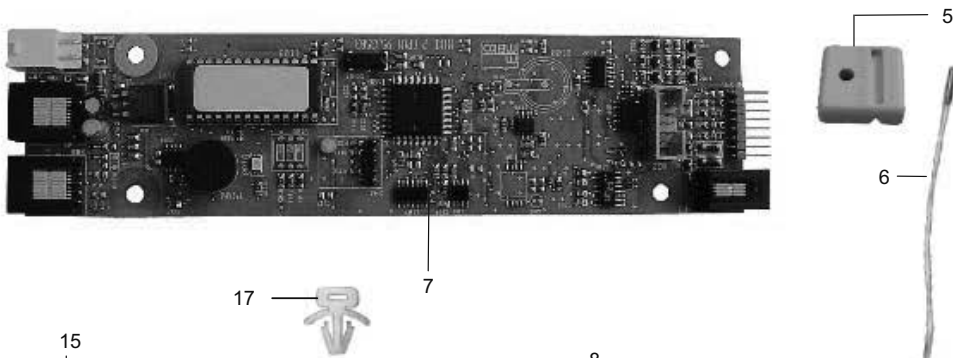
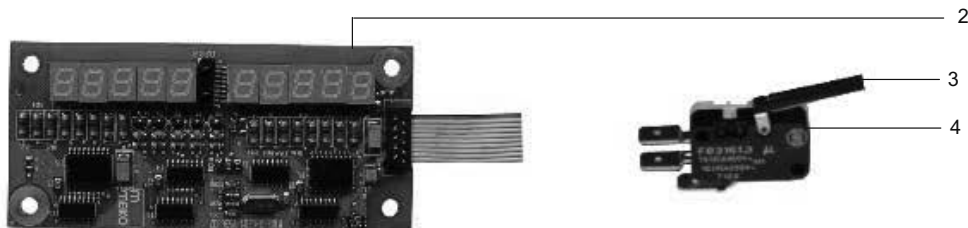
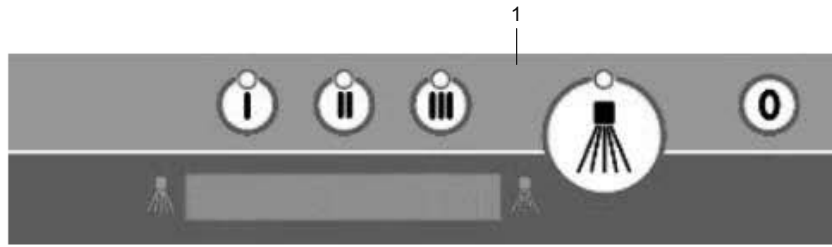


11.63 ELECTRONIC CONTROL 208-230V

POS	PART NO.	DESCRIPTION
1 *	9603164	TOUCH PAD DV200.2
2	9542049	DISPLAY CIRCUIT BOARD ASSEMBLY
3 *	0122106	LEVER FOR MICROSWITCH
4 *	0122103	MICROSWITCH
5	9639363	TEMP PROBE MOUNTING BRACKET
6 *	9634739	WASH TANK TEMP PROBE
	9640338	WASH TANK TEMP PROBE ASSEMBLY
7 *	9541525	CPU CIRCUIT BOARD ASSEMBLY KIT
8	9542897	CONTACTOR 24VDC 4KW 40/9A (K1 - K4)
9	9544738	MOTOR SAFETY SWITCH 3RV1021-4DA10 20-25A S0
10	9544339	MOTOR SAFETY SWITCH 3RV1021-1KA10 9-12.5A S0
11	9540603	MOTOR SAFETY SWITCH 3RV1021-1DA10 2.2-3.2A S0
12	9610335	FUSE BLOCK 480V 10A B
13 *	9533502	POWER SUPPLY UNIT
	0145047	FINE WIRE FUSE 2A
14 *	9617235	INPUT/OUTPUT CIRCUIT BOARD ASSEMBLY
	9611761	FINE WIRE FUSE 16A
	9542762	COMMUNICATION RIBBON CABLE 3000MM
	9540552	EPROM
	9610551	E-EPROM 208-230V/400V
	9007304	FOIL
15	9607101	CABLE TIE SUPPORT

0122013 - NOT SHOWN - DOOR MAGNET
8302780 - NOT SHOWN - SAFTEY DOOR SWITCH -

11.64 ELECTRONIC CONTROL 460V



11.64 ELECTRONIC CONTROL 460V



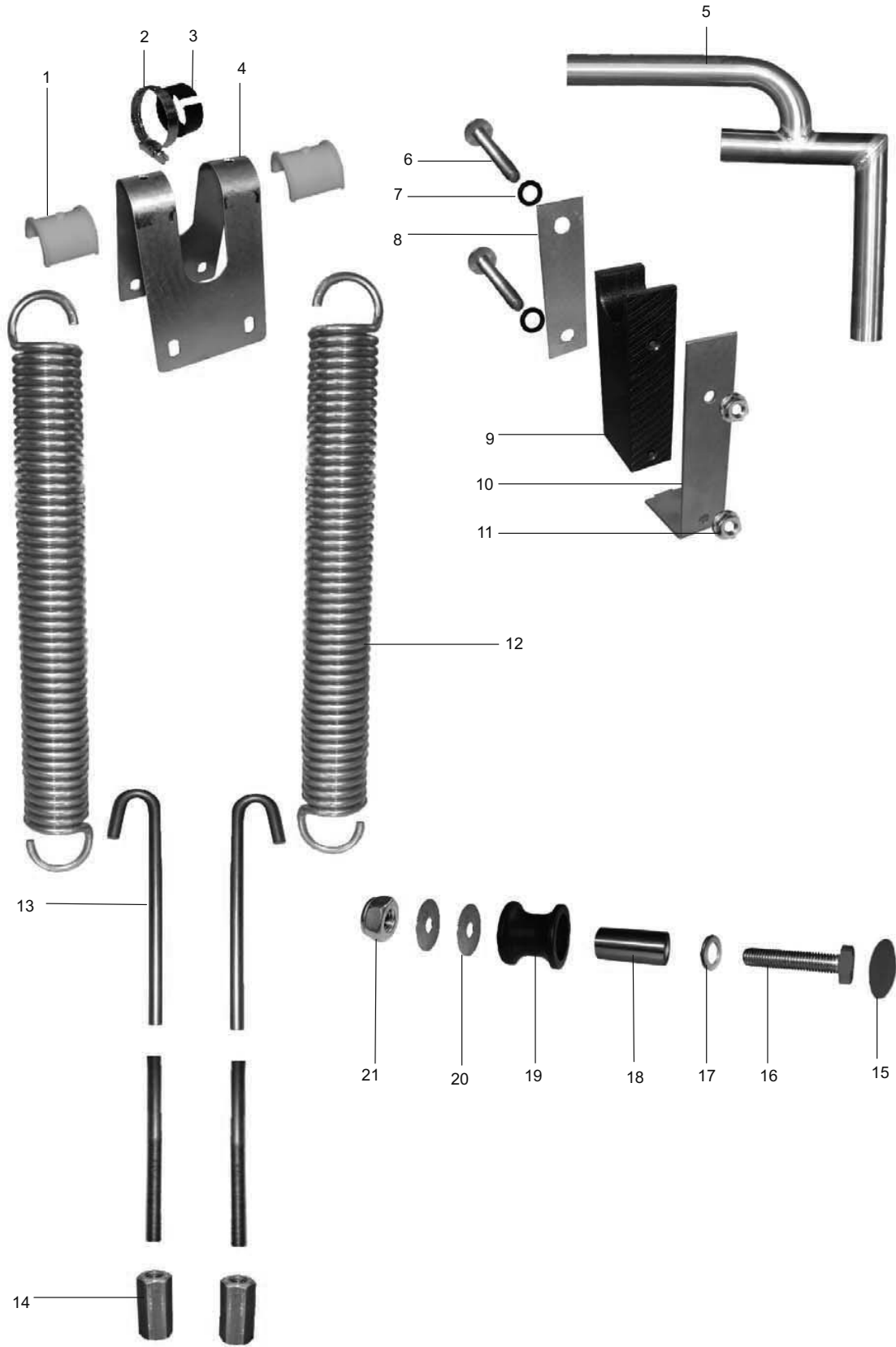
POS	PART NO.	DESCRIPTION
1 *	9603164	TOUCH PAD DV200.2
2	9542049	DISPLAY CIRCUIT BOARD ASSEMBLY
3 *	0122106	LEVER FOR MICROSWITCH
4 *	0122103	MICROSWITCH
5	9639363	TEMP PROBE MOUNTING BRACKET
6 *	9634739	WASH TANK TEMP PROBE
	9640338	WASH TANK TEMP PROBE ASSEMBLY KIT
7 *	9541525	CPU CIRCUIT BOARD ASSEMBLY KIT
8	9542897	CONTACTOR 24VDC 4KW 40/9A (K-1, K-2, K-3, K-4, K-5)
9	9544738	MOTOR SAFETY SWITCH 3RV1021-4DA10 20-25A S0 (9544767 REQUIRED)
10	9544339	MOTOR SAFETY SWITCH 3RV1021-1KA10 9-12.5A S0 (9544767 REQUIRED)
11	9540602	MOTOR SAFETY SWITCH 3RV1021-1GA10 4.5-6.3A S0 (9544767 REQUIRED)
12	9546245	MOTOR SAFETY SWITCH 3RV1021-1AA10 1.1-1.6A S0 (9544767 REQUIRED)
13	9531837	MOTOR CONTROL PROTECTOR 3RV1021-0FA15 (9544767 REQUIRED)
14	9610335	FUSE BLOCK 480V 10A B
15	9626264	POWER SUPPLY UNIT
	0145047	FINE WIRE FUSE 2A
16	9617235	INPUT/OUTPUT CIRCUIT BOARD ASSEMBLY KIT
	9611761	FINE WIRE FUSE 16A
	9542762	COMMUNICATION RIBBON CABLE 3000MM
	9540552	EPROM
	9610551	E-EPROM 208-230V/400V PE
	9007304	FOIL
17	9607101	CABLE TIE SUPPORT
	9605554	RELAY FAST FILL & ANTI CHATTER (K-6 and *K-8 for 208v /*K-9 for 460v)

13.44 COMPONENT BLOCKS / PARTS



POS	PART NO.	DESCRIPTION
1	9609871	SPRING HOUSING COVER
2	9547319	SIDE CLADDING
3 *	9500378	TABLE FEET
4	9533829	FRONT SHEET
5	9007221	HOOD
	9540851	COVERING SIEVE RIGHT CPL.
	9540865	COVERING SIEVE LEFT CPL.
	9555067	SIEVE COVERING CENTER RIGHT
	9555076	SIEVE COVERING CENTER LEFT
	9554692	BASKET GUIDE RAIL CPL.
	0620455	SPACER FOR CLADDING
	0463052	HOOD ROD RIGHT HAND SIDE
	0463053	HOOD ROD LEFT HAND SIDE
	9605065	BACK PANEL

14.10 HOOD ROD

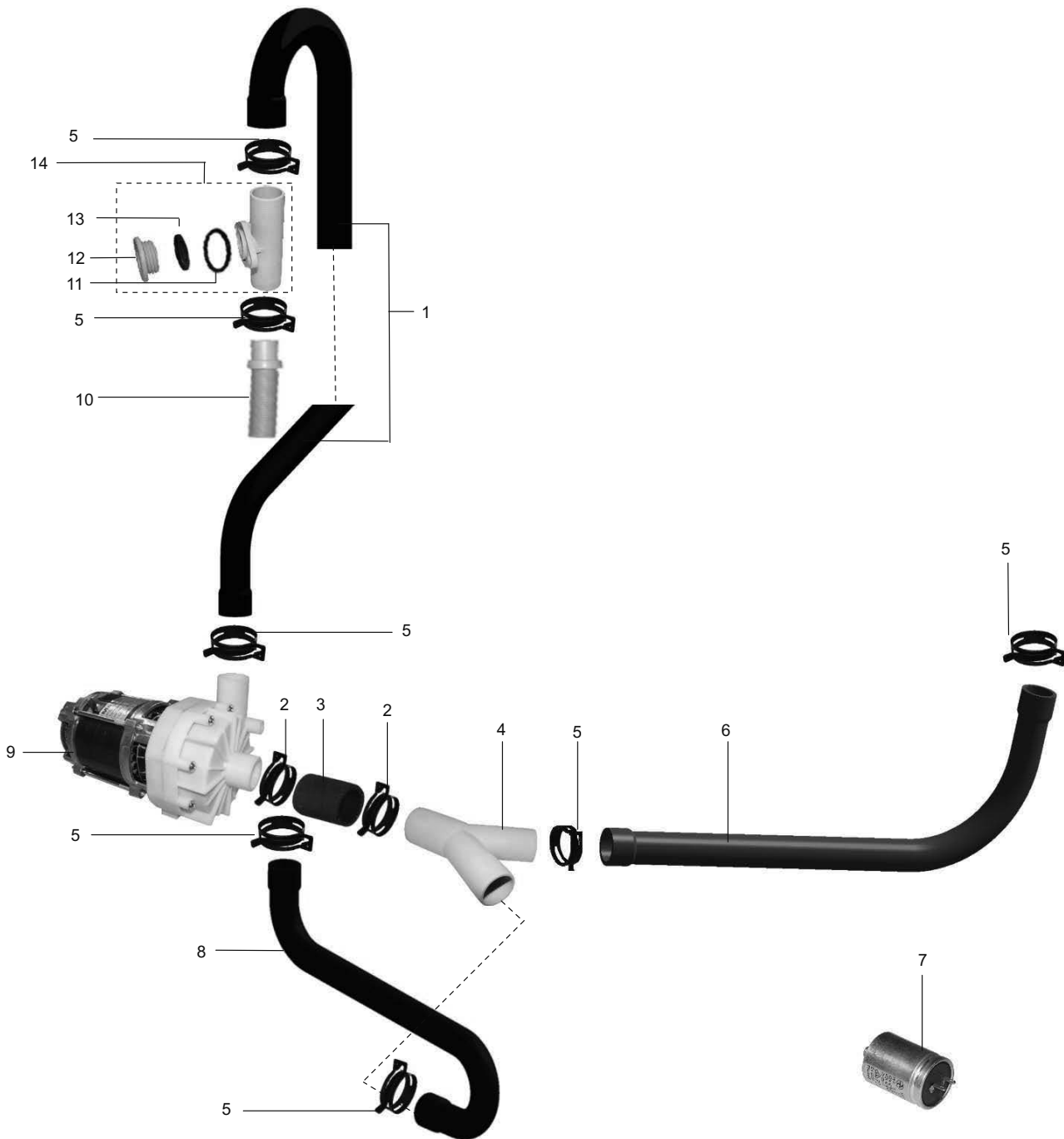


14.10 HOOD ROD



POS	PART NO.	DESCRIPTION
1	9602954	SLIDING BEARING FOR SPRING SUSPENSION
2	0233039	HOSE WIRE CLAMP 25-40
3	9611463	TUBE 40X3X16
4	9554959	UPPER SPRING SUSPENDER
5	9602946	HOOD ROD DV200.2
6	9541450	OVAL HEAT SCREW M6X60
7	9541531	O-RING 6X2
8	9554960	LINING SHEET
9	0620449	HOOD ROD BEARING
10	9554962	SUPPORT BRACKET
11	0335043-H	HEXAGON NUT M6
12 *	0430006	TENSION SPRING 372X46.5X6.5
13 *	8004425	TENSION SCREW M8
14	8004147	TENSION NUT M8
15	9555173	HOOD ROLLER COVER
16	9554943	HEXAGON HEAD CAP SCREW M10X50
17	9554927	FRONT DISC
18	9554931	BUSH
19	9601769	HOOD ROLLER 45X42.5
20	9554958	FRONT DISC
21	0337007	HEXAGON NUT M10

18.20 DRAIN PUMP

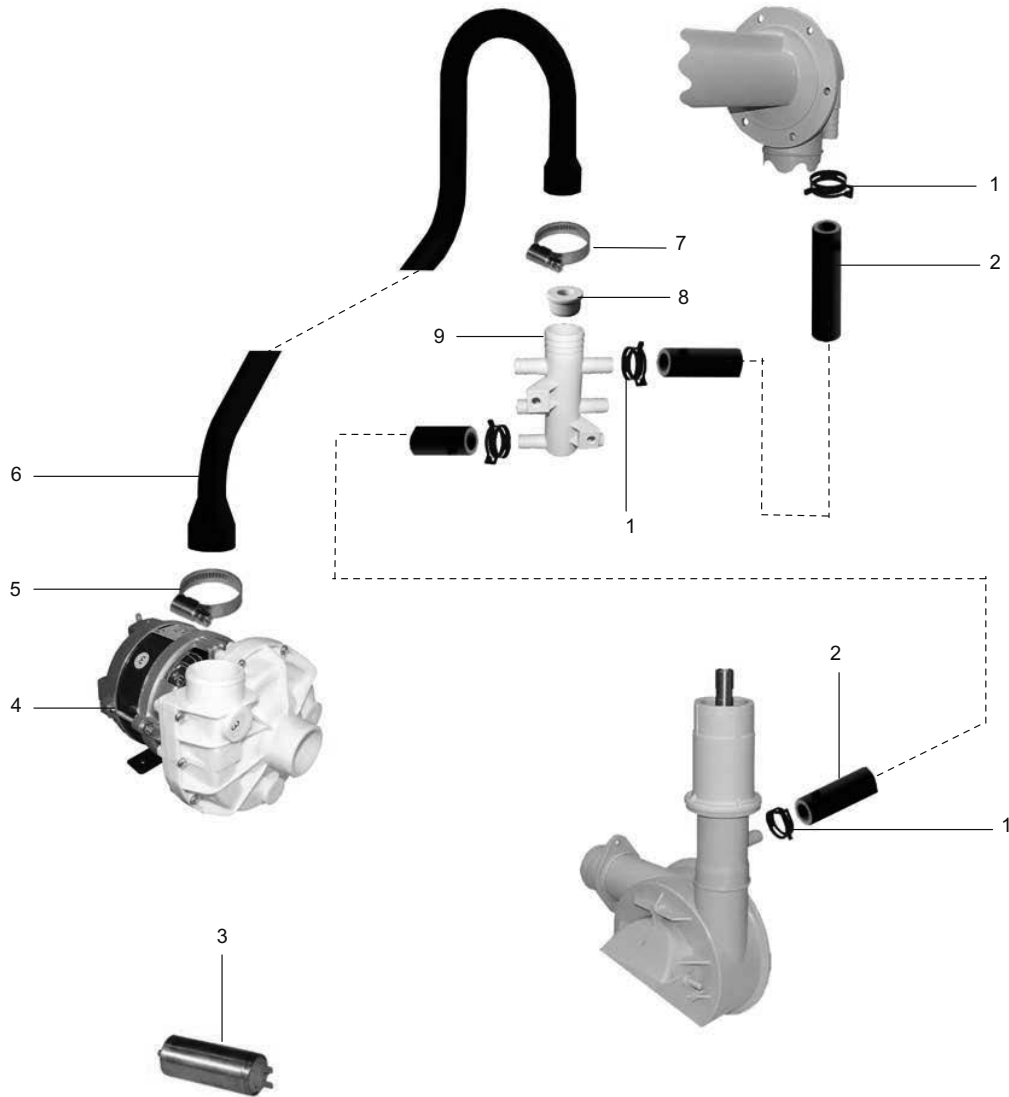


18.20 DRAIN PUMP



POS	PART NO.	DESCRIPTION
1	9602745	HOSE
2	9607416	HOSE CLAMP TAPE 036
3	9005525	HOSE
4	9603097	HOSE COUPLING
5	9607417	HOSE CLAMP TAPE 030
6	9602675	HOSE
7	9520030	CAPACITOR 400V 5 μ F
8	9602672	HOSE
9 *	9544287	DRAIN PUMP CPL. <u>200-230V 60HZ</u>
9 *	9544376	DRAIN PUMP CPL. <u>460V 60HZ</u>
*	9662632	SLIDING SEAL CPL. (OLD P/N: 9543778)
*	9543779	PUMP WHEEL 50 HZ
	9543780	PUMP HOUSING
*	9523260	PACKING FOR PUMP HOUSING (OLD P/N: 9543781)
10	9609672	HOSE
11	0401016	O-RING 21X2
12	9515231	SCREW
13	9515234	PACKING
14	9515229	VENT VALVE
	9550030	R-C UNIT <u>ONLY FOR 208-230V MACHINES</u>

22.23 BOOSTER PUMP

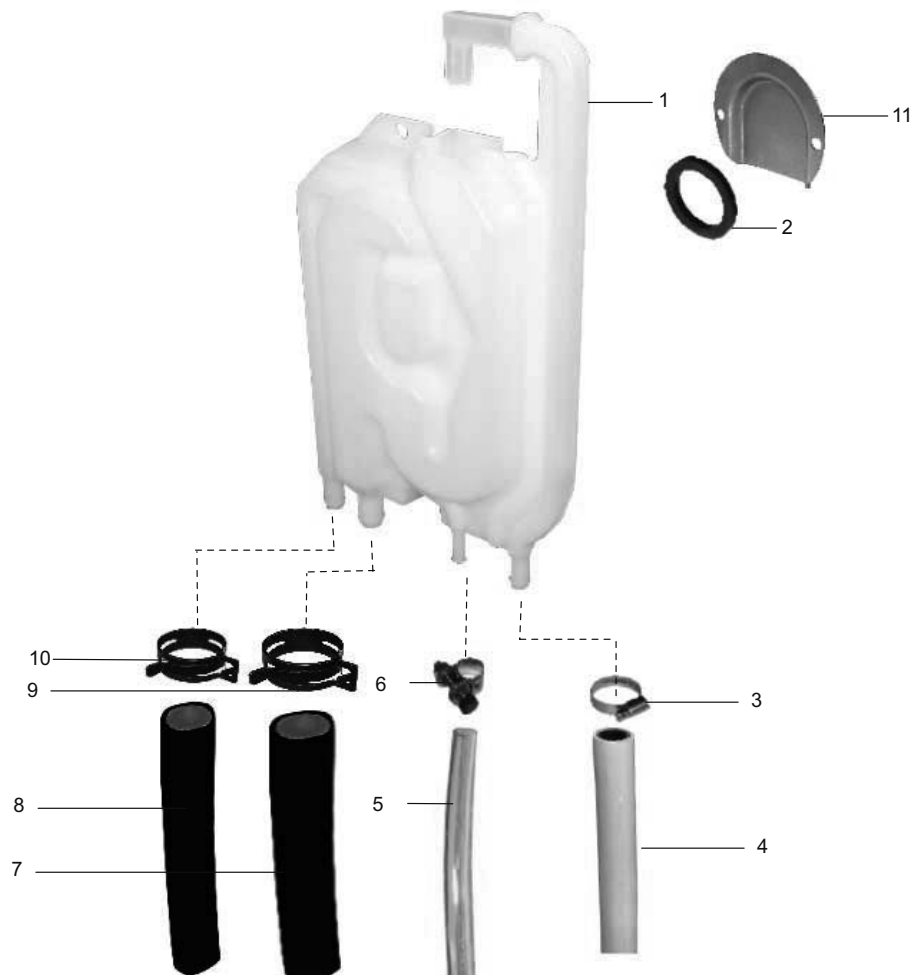


POS	PART NO.	DESCRIPTION
-----	----------	-------------

1	9607418	HOSE CLAMP TAPE 021
2	9608600	HOSE CPL. 1/2"
3	0501090	CONDENSER 12 MF
4 *	9545451	BOOSTER PUMP CPL. 0.55KW 200-230V/460V/60HZ
	9548658	SLIDING SEAL CPL.
*	9552773	PUMP WHEEL 60 HZ
	0501091	PUMP HOUSING
	0501094	PACKING FOR PUMP HOUSING
5	0233046	HOSE WIRE CLAMP 32-50
6	9602750	HOSE
7	0233039	HOSE WIRE CLAMP 25-40
8	9617866	THROTTLE
9	9600841	DISTRIBUTION PIPE

ELECTRICAL CONNECTORS
MACHINE SIDE- p/n 9546588 COUPLING LEDGE 2 CONDUCTORS
769 GREY 8pol. X-COM (USD 31,15 gross)
and
MOTOR END -p/n 9546589 multipoint socket connector.

24.07 AIR GAP



POS	PART NO.	DESCRIPTION
1 *	9523195	AIR GAP CPL.
2 *	0650076	PACKING
3	0233036	HOSE WIRE CLAMP 10/16
4		SEE PAGE 04 SOLENOID VALVE SEE PAGE 10 DOSING UNITS
5	9538712	HOSE BLUE 06
6	9605930	HOSE WIRE CLAMP 8.5-9.5
7		SEE PAGE 08 INCORPORATED BOILER
8		SEE PAGE 08 INCORPORATED BOILER
9	9607418	HOSE CLAMP TAPE 021
10	9609462	HOSE CLAMP TAPE 017
11	8000609	WATER GUIDING SHEET