

CONVEYOR OVEN REPLACEMENT PARTS LIST



EFFECTIVE SEPTEMBER 13, 2001

BLODGETT OVEN COMPANY, 50 Lakeside Avenue, Burlington, Vermont 05401 USA

Telephone: (802) 860-3700 (800) 331-5842 Fax: (802) 860-3732

www.blodgett.com

Superseding All Previous Parts Lists.

The Company reserves the right to make substitution in the event that items specified are not available.

ERRORS: Descriptive and/or typographic errors are subject to correction.

www.blodgett.com

**IMPORTANT: When
and serial number
the back of the con**

ASAP Distr
* **Item Is Too**

ELEC

ROLS

**Ref. Part
No. No.**

	M2316	
	M2254	
	M0156	
	M1821	
	M0158	
	M3389	Fuse, 4 AMP Units after 03/15/93
	M3390	Fuse Holder, 20 AMP Units after 03/15/93
	M0635	Snap Disc, Control Compartment
	M0593	Terminal Block, 2 Pole
	M0708	Contactor, 3 Pole, 120V Coil
7	M0595	Pressure Switch, SPDT
	M3918	Pressure Switch Retrofit Kit
	M2469	Fan, 110 CFM, 4-1/2"
	M0571	Guard, Fan (Qty 1)
	M0572	Cord Set, Fan
8	M10545	Selector Switch Kit, Heat & Conveyor Units before 03/15/93 Replaces M0151 & M0152
9	M10546	Selector Switch Kit, Blower Units before 03/15/93 Replaces M0151 & M0153
<p>NOTE: <i>The Knob M0151 is not available separately. Our vendor has made a change to the part. You must get the complete kit. Make sure you order to the specific switch. The knob controls the heat, blower, or conveyor.</i></p>		
	M5132	Switch Rocker, SPST, Matt Black Units after 03/15/93 (Qty 2, Heat & Conveyor)
	M5133	Switch Rocker, SPDT, Matt Black Units after 3/15/93 (Qty 1, Blower)
	M1694	Cord Set & Plug Assy. (10 Feet)
	M0772	Receptacle, Twist Lock
	M0197	Lamp, Incandescent Units before 07/84
	M0791	Lamp, Neon Units between 07/84 & 03/15/93
	M0790	Socket, Neon Lamp Units between 07/84 & 03/15/93
	M0196	Lens, Lamp (for M0790)
	23012	Indicator Light, 125V, Green, Round Units after 03/15/93
	M1868	Shroud, Fan

		og to Digital
		al
		on. Digital
	M3439	Relay, Digital Temp. Controller, 10 AMP, 250V
	M3150	Control Board, Temperature Hi-Lo Limit
	M3151	Thermocouple, Dual Lead
6	M0148	High Limit Switch (Old Style M3150)

CON

ENTS

Ref. Part
No. No.

21926

23112

M4298
M6942
FW502

NOTE:
M10246

M10081
M10082

***NOTE:**

you purchase the new brushless motor or control separately.

NOTE: *Conveyor Control M10081 DOES NOT have fuses on it!!*

M6192 Bracket (For M10082)
M3127 Motor, Conveyor Drive, Bodine, 90V (Before 9/90)
M3148 Motor, Conveyor Drive, Baldor, RH Angle Shaft
M3142 Speed Control Board, Minarik (SB Qty 1) (TB Qty 2)
21170 Speed Control Kit, Dart to Minarik (SB Qty 1) (TB Qty 2)
M3145 Potentiometer, Bodine, 10 K (SB Qty 1) (TB Qty 2)
M3143 Potentiometer, Minarik, 10 K (SB Qty 1) (TB Qty 2)
M3144 Potentiometer, Dart, 5 K (SB Qty 1) (TB Qty 2)
M2316 Fuse, Armature, Bodine Board, 200 MA, 250V
M2254 Fuse, Line, Bodine Board, 5 AMP, 125V
M3146 Digital Time Display
5 M3147 Pick-Up, PV-10 for M3146
M8677 Speed Control, Dart Micro-Drive

NOTE: *Micro-Drive has no speed control board.*

M0984 Pick-Up, Single Pulse PV-2 for M8677
M4251 Dart to Micro-Drive Conversion Kit
M5770 Conversion Kit, Open Loop to Closed Loop
21301 High Speed Kit (Large Sprocket)
1 21169 Knob, Speed Control
M0200 Lock, Speed Control
M0201 Dial, Speed Control
M2500 Brush Set, Bodine Motor
22095 Brush Set, Bison Motor
M2479 Brush Set, Baldor Motor
21152 Drive Chain (2.5', Cut to Length)
M3862 Drive Chain (2.83')
21304 Drive Chain (2.6875')
M0112 Masterlink, Drive Chain
M2156 Cover, Drive Chain
22228 Blower Motor Support
M6192 Bracket, Motor Support

Plug

e MG3270 TB

e MG3270 TB

MG3270 TB

MG3270 TB

e MG3270

M6144 Conveyor Support, Drive Side MG3270 (After 5/3/95)
M1731 Conveyor Support, Idle Side MG3270 (Before 5/3/95)
M6145 Conveyor Support, Idle Side MG3270 (After 5/3/95)
M1941 Conveyor Support, Drive Side MG-32S
M1946 Conveyor Support, Idle Side MG-32S
2 M0109 Sprocket, Motor Drive, 12 Tooth (1 Per Motor)
3 M0108 Sprocket, Conveyor Belt S/S (Qty 19 SB) (Qty 16 TB)
4 M0110 Sprocket, Conveyor Drive, 15 Tooth 3/4" Bore (Qty 1 SB) (Qty 1 TB)
M1865 Sprocket, Conveyor Drive, 15 Tooth 1/2" Bore (Qty 1, TB only)
M6942 Belt Lockout Kit

CONV

INENTS

Ref. No.	Part No.
10	M0144
10	M1142
	M1148
	M1149
	M1209
	22228

ff
r & Control Box
r

t, Nat
t, LP

er)

(MG32S has no parts available-sheet metal)

Ref. No.	Part No.	Description
M3905		Air Plate Assy, RH R-L or L-R Top Gen Mkt or Little Caesars
M3906		Air Plate Assy, LH R-L or L-R Top Gen Mkt or Little Caesars
M3838		Air Plate Assy, RH R-L Top Little Caesars ONLY
M3840		Air Plate Assy, LH R-L Top Little Caesars ONLY
M3839		Air Plate Assy, RH L-R Bottom All Units
M3841		Air Plate Assy, LH L-R Bottom All Units

NOTE: *Bottom Air Plate Assys are always the same. The Top Air Plate Assys are specific to the belt direction and sometimes the end-user.*

22117	Block Off Strips
M3182	Support, Upper Air Pan

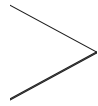
NOTE: *Three piece Air Plate Assys are no longer available. They are directly replaced by two piece Air Plate Assys (LH and RH). Once you have converted to two piece assys, you may order single part numbers.*

M0455	Orifice, Main Burner, Nat MG3270
M0454	Orifice, Main Burner, LP MG3270
M0580	Orifice, Main Burner, Natural MG-32S
M0579	Orifice, Main Burner, LP MG-32S
M1093	Flame Tube, 6" OD MG3270 only
M1054	Spark Box, 24V
M5495	Dual Solenoid/Pressure Regulator, Nat
22190	Dual Solenoid/Pressure Regulator, LP
23113	Conversion Kit, Nat to LP (Before 5/89) MG3270
21389	Conversion Kit, Nat to LP (After 5/89) MG3270
23114	Conversion Kit, LP to Natl MG3270
M5290	Conversion Kit, Nat to LP MG-32S
M5259	Conversion Kit, LP to Nat MG-32S
18612	Spring, Solenoid Valve, Natl to LP
23007	Spring, Solenoid Valve, LP to Natl
M0279	Union, 1/2"
1949	Nipple, Close, 1/2"
M0317	Elbow, 1/2", 90 Degree
M0274	Elbow, 1/2", 90 Degree (Service L)
M0590	Nipple, 1/2" x 2-1/2"
M0555	Elbow, Reducing, 3/4" to 1/2"
M3211	Control Box Assy (Conveyor Drive Motor)
M3210	Control Box Bottom only

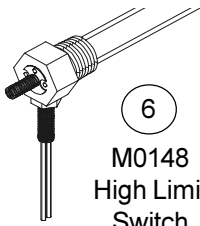
OLD #	CURRENT #
22114 Top Complete Set	M3905 AND M3906 (TOP) or M3838 AND M3840 (TOP L.Caesars)
22115 Bott. Complete Set	M3839 AND M3841 (BOTTOM)
M0886 Middle Top/Bott	M3905 AND M3906 (TOP)
22110 Top RH	M3905 AND M3906 (TOP)
22112 Top LH	M3905 AND M3906 (TOP)
M0886 Middle Top/Bott	M3839 AND M3841 (BOTTOM)
22111 Bott RH	M3839 AND M3841 (BOTTOM)
22113 Bott LH	M3839 AND M3841 (BOTTOM)



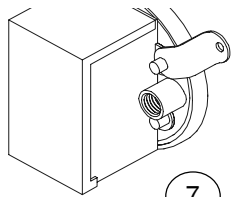
1
21169
Knob,
Speed
Control



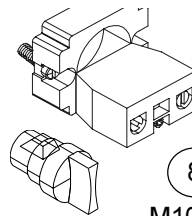
577
Control,
-Drive



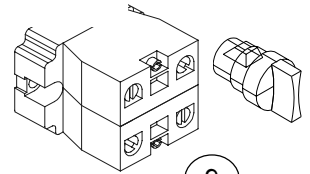
6
M0148
High Limit
Switch



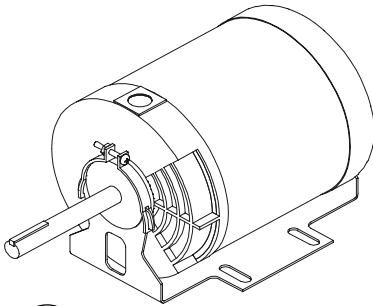
7
M0595
Pressure
Switch
SPDT



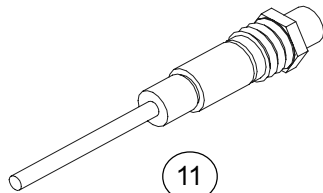
8
M10545
Selector Switch Kit
Heat & Conveyor



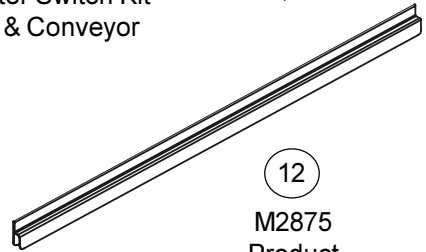
9
M10546
Selector Switch
Kit, Blower



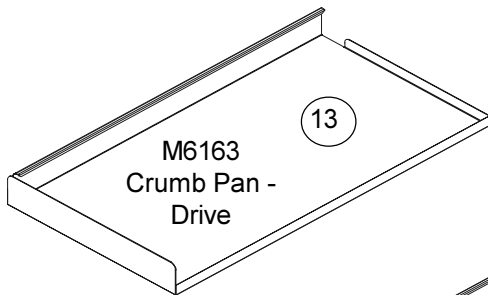
10
M0144/M1142
Motor 1/4 HP



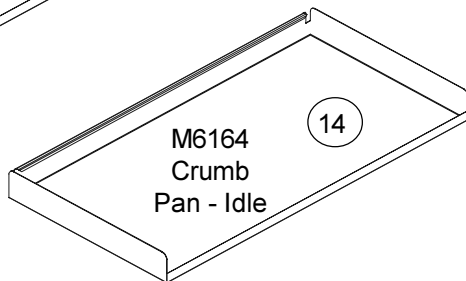
11
M0415
Flame
Sensor



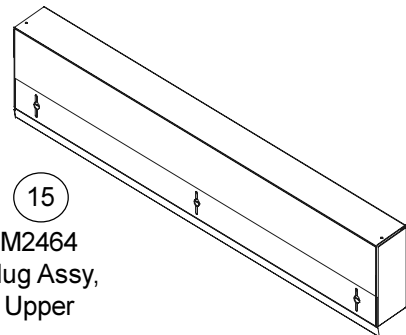
12
M2875
Product
Stop



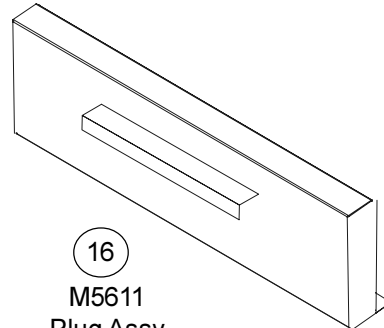
13
M6163
Crumb Pan -
Drive



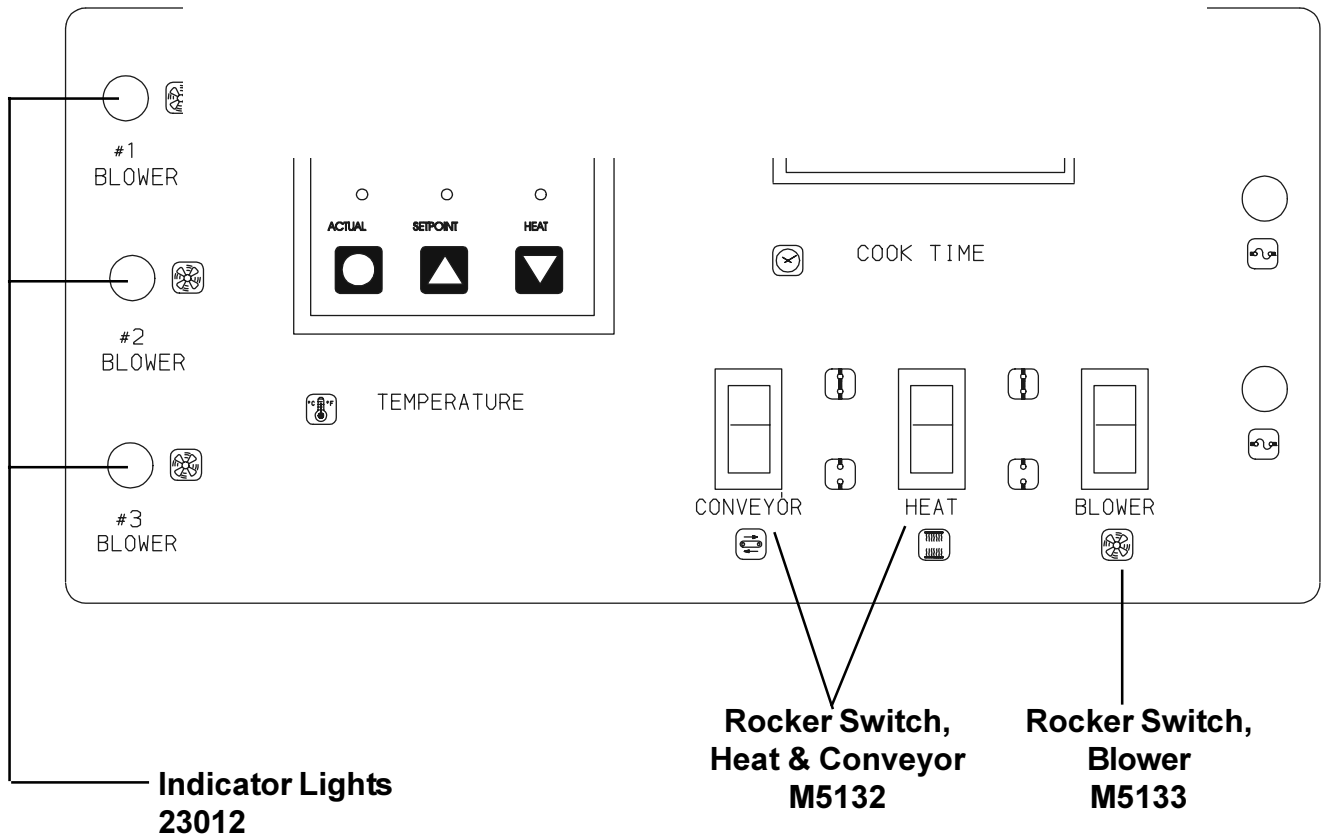
14
M6164
Crumb
Pan - Idle



15
M2464
Plug Assy,
Upper



16
M5611
Plug Assy
Lower, Drive Side



EXT

ENTS

**Ref. Part
No. No.**

14 M4607
M6164
M2456
M6166
M4606
13 M6163
M2458
M6165

:897BD079T)
:897BD079T)
97BD079T)
97BD079T)

Note:

12 M0738 Crumb Tray, Idle Side
M0096 Crumb Tray, Drive Side
M2875 Product Stop
M9948 Product Extension Assy., 15"
M10054 Product Extension Assy., 20"
M4609 15" Product Extension & Crumb Pan, Idle
M4608 15" Product Extension & Crumb Pan, Drive
M4611 20" Product Extension & Crumb Pan, Idle
M4610 20" Product Extension & Crumb Pan, Drive
15 M2464 Plug Assy., Upper
16 M5611 Plug Assy., Lower Drive Side
M5613 Plug Assy., Lower Idle Side

Note: *The Top End Plug M2464 has a gate on it to adjust height for your product.
The Bottom End Plug (M5611 or M5613) has a bracket on the side to hold the crumb pan.*

M1217 Thumb Screw, for Plug Assy.
21878 Air Slide, adjustable
21857 Door, Pull Down Conversion (Before 7/89)
21888 Door, Pull Down (After 7/89)
M2189 Door Handle, 22", Pull Down Door
35184 Window Bracket Kit (L & R) (for handle)
21935 Latch Conversion, Pull Down Door
21167 Door, Sliding, w/handle 14" x 3 1/2"
M2188 Handle, Sliding Door
21826 Installation Hose, 36"
21242 Installation Hose, 48"
16470 Nameplate, Blodgett 10"
22229 Stacking Assy., Dbl
22067 Triple Base w/ Casters
21248 Stacking Frame Kit
21390 Legs, 17-1/4" w/ Casters (Dbl Oven)
21391 Legs, 23-1/4" w/ Casters (Sgl Oven)
M2226 Adapter Assy, Leg
M2186 Double Oven Parts Kit
(Includes Legs, Vent Assy, & Air Pan Hook)
M2187 Triple Oven Parts Kit
(Includes Triple Base w/Casters, Vent Assy & Air Pan Hook)
M2160 Vent Assy, Flue Duct, sgl
M2460 Vent Assy, Flue Duct, dbl