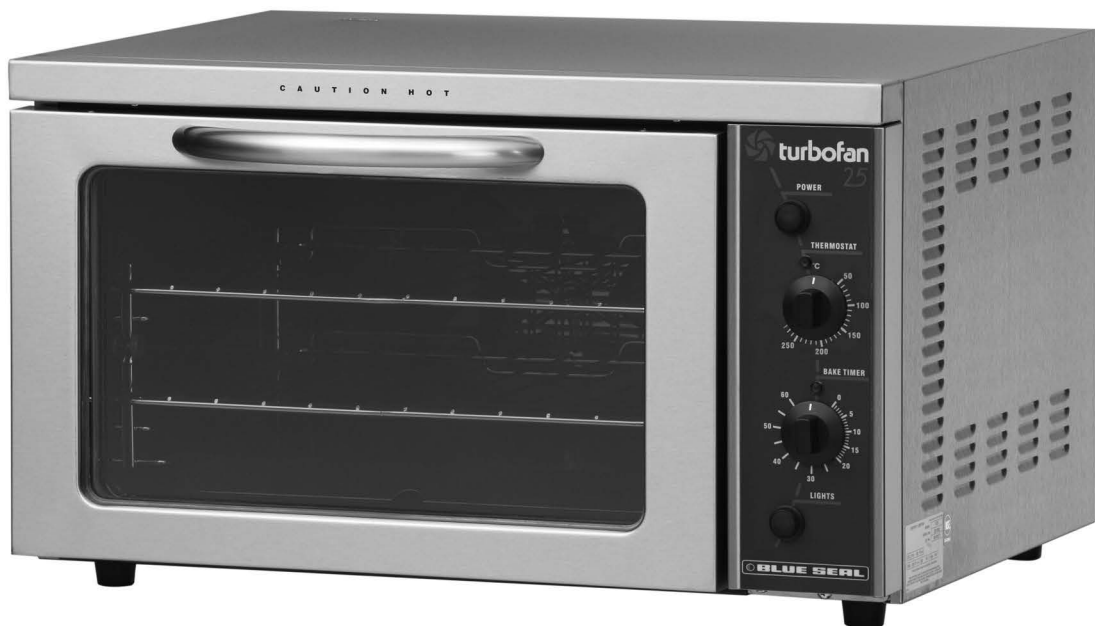




E25 CONVECTION OVEN

E25MS CONVECTION OVEN

**SERVICE
MANUAL**





 **WARNING: ALL INSTALLATION AND SERVICE REPAIR WORK MUST BE CARRIED OUT BY QUALIFIED PERSONS ONLY.**



CONTENTS

This manual is designed to take a more in depth look at the E25 convection oven for the purpose of making the unit more understandable to service people.

There are settings explained in this manual that should never require to be adjusted, but for completeness and those special cases where these settings are required to change, this manual gives a full explanation as to how, and what effects will result.

SECTION	PAGE NO.
1. SPECIFICATIONS.....	5
2. INSTALLATION.....	7
3. OPERATION	8
3.1 Description of Controls—E25	
3.2 Description of Controls—E25B	
3.3 Explanation of Control System	
4. MAINTENANCE.....	12
4.1 Cleaning	
4.2 Routine Procedures	
5. TROUBLE SHOOTING GUIDE.....	13
6. SERVICE PROCEDURES	16
6.1 Fault Diagnosis	
6.2 Access	
6.3 Replacement	
6.4 Adjustment / Calibration	
7. ELECTRICAL SCHEMATICS	30
7.1 E25	
7.2 E25B	
8. ELECTRICAL WIRING DIAGRAMS	32
8.1 E25 (220 - 240V)	
8.2 E25 (110V)	
8.3 E25B	
9. SPARE PARTS.....	36

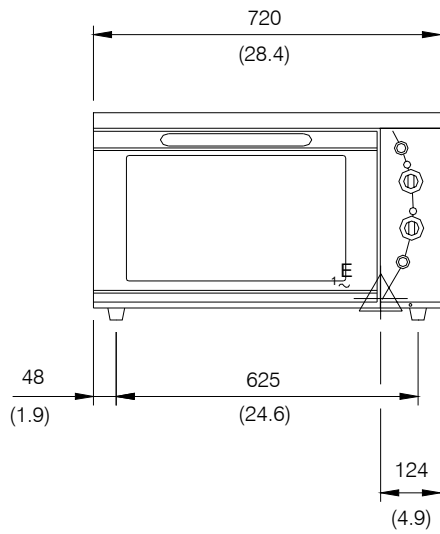


IMPORTANT: MAKING ALTERATIONS MAY VOID WARRANTIES AND APPROVALS.

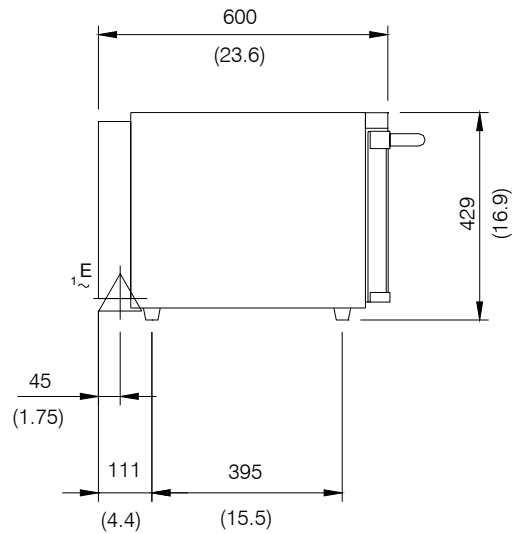
10. ACCESSORIES / OPTIONS	37
11. PARTS DIAGRAM	38
11.1 Main Assembly - E25	
11.2 Main Assembly - E25B	
11.3.1 Control Panel Assembly - E25	
11.3.2 Control Panel Assembly - E25B	
11.4.1 Control Panel Assembly - E25MS	
11.4.2 Control Panel Assembly - E25BMS	
11.5 Door Assembly - E25MS	
12. SERVICE CONTACTS.....	47
APPENDIX A. DOUBLE STACKING KIT	49

1. SPECIFICATIONS

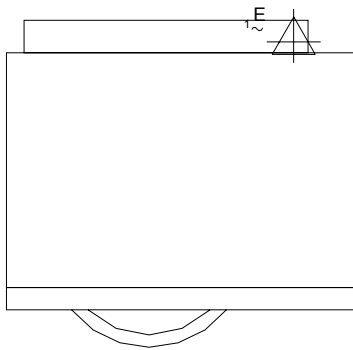
MODEL: E25 / E25B



FRONT



SIDE



PLAN

LEGEND



- Electrical connection entry point

Dimensions shown in millimetres.
Dimensions in inches shown in brackets.

LOCATION

To ensure correct ventilation for the motor and controls the following minimum installation clearances are to be adhered to:

Top	200mm / 8"
Rear	25mm / 1"
Left-hand side	25mm / 1"
Right-hand side	25mm / 1"

OVEN INTERNAL DIMENSIONS

Width	470 mm / 18.5"
Height	254 mm / 10.0"
Depth	420 mm / 16.5"
Oven Volume	0.05 m ³ / 1.75 ft ³

OVEN RACK SIZE

Width	460 mm / 18"
Depth:	370 mm / 14.5"

ELECTRICAL SUPPLY SPECIFICATION OPTIONS

E25

100-120V ac, 60Hz, 13.3A, 1.6kW @ 120V
220-240V ac, 50/60Hz, 8.5A, 2.05kW @ 240V

E25B

100-120V ac, 60Hz, 17.1A, 2.05kW @120V

ELECTRICAL PLUG SPECIFICATION REQUIREMENTS

E25

Australia	3-pin 250V 10A, AS/NZ 3112
Canada	3-pin 120V 15A, NEMA 6-15
New Zealand	3-pin 250V 10A, AS/NZ 3112
United Kingdom	3-pin 250V 13A fused, BS 1363A
United States	3-pin 120V 15A, NEMA 6-15
Other Countries	3-pin 250V 10A minimum, type to meet country standards

E25B

Canada	3-pin 120V 20A, NEMA 6-20
United States	3-pin 120V 20A, NEMA 6-20

2. INSTALLATION

⚠ WARNING: THIS APPLIANCE MUST BE GROUNDED.

⚠ WARNING: ALL INSTALLATION AND SERVICE REPAIR WORK MUST BE CARRIED OUT BY QUALIFIED PERSONS ONLY.

It is most important that the oven is installed correctly and that the operation is correct before use. Installation shall comply with local electrical, health and safety requirements.

BEFORE CONNECTION TO POWER SUPPLY

Unpack and check unit for damage and report any damage to the carrier and dealer. Report any deficiencies to your dealer. Check that the available power supply is correct to that shown on the rating plate located on the right-hand side panel.

E25

100-120V ac, 60Hz, 13.3A, 1.6kW @ 120V
220-240V ac, 50/60Hz, 8.5A, 2.05kW @ 240V

E25B

100-120V ac, 60Hz, 17.1A, 2.05kW @120V

LOCATION

To ensure correct ventilation for the motor, and controls the following minimum installation clearances are to be adhered to:

Top	200mm / 8"
Rear	25mm / 1"
Left-hand side	25mm / 1"
Right-hand side	25mm / 1"

ⓘ IMPORTANT: THE OVEN VENT LOCATED ON THE CABINET TOP MUST NEVER BE OBSTRUCTED.

Position the oven in its allocated working position. Use a spirit level to ensure the oven is level from side to side and front to back. (If this is not carried out, uneven cooking could occur). The feet used with bench mounting or provided with stands are adjustable and will require adjusting in levelling the unit. It should be positioned so the operating panel and oven shelves are easily reachable for loading and unloading.

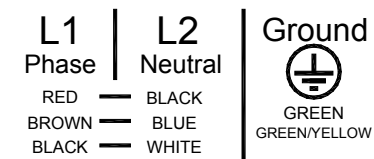
BEFORE USE

Operate the oven for about 1 hour at 200°C (400°F) to remove any fumes or odours which may be present.

ELECTRICAL CONNECTION

E25 convection ovens are supplied with pre-fitted cords. Ensure unit is fitted with the correct cord and plug for the installation. Refer specifications section.

Should changing of the cord be necessary, gain access to the electrical connection terminal block, grounding lug, and strain relief by removing the back panel (four screws).



WARNING: THIS APPLIANCE MUST BE GROUNDED / EARTHED

Figure 2.1

RATING PLATE LOCATION

The rating plate for the E25 convection oven is located at the bottom left corner of the RH side panel.

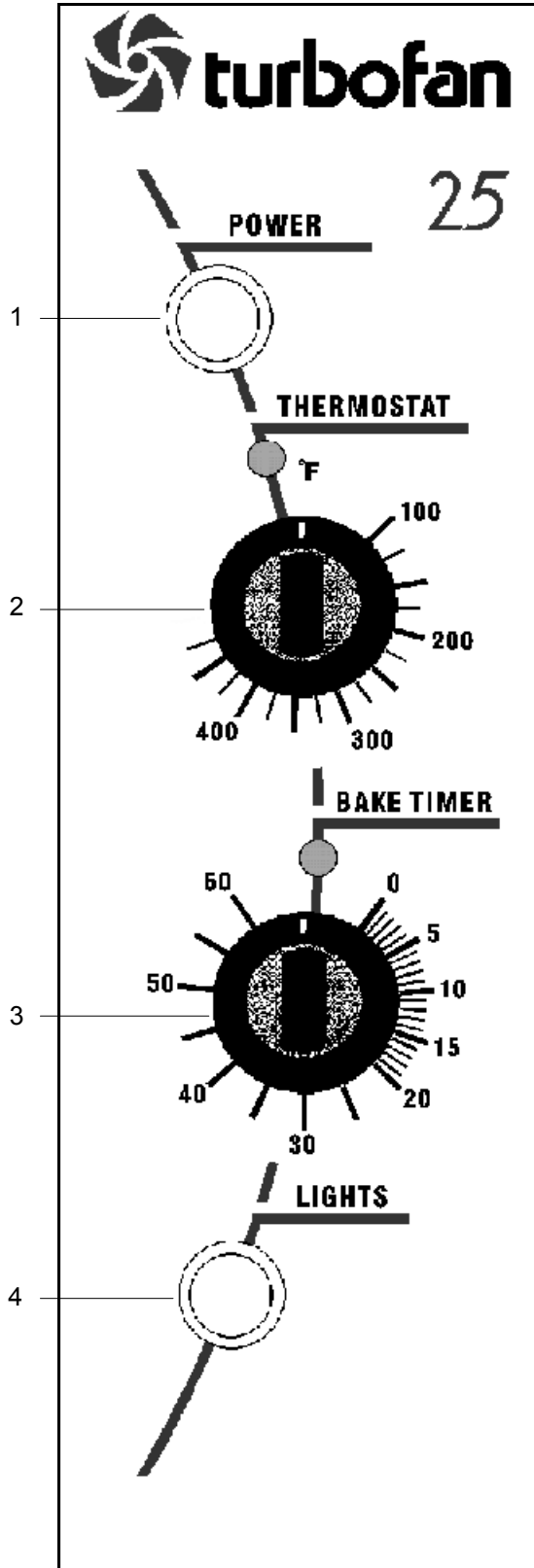


Figure 2.2

3. OPERATION

NOTE: A full user's operation manual is supplied with the product and can be used for further referencing of installation, operation and service.

3.1 DESCRIPTION OF CONTROLS - E25



1. POWER

Depress to switch power on or off (switch illuminates when power is on).

2. THERMOSTAT

Temperature range 50 - 250°C (120 - 480°F). Indicator illuminates when elements are cycling ON to maintain set temperature.

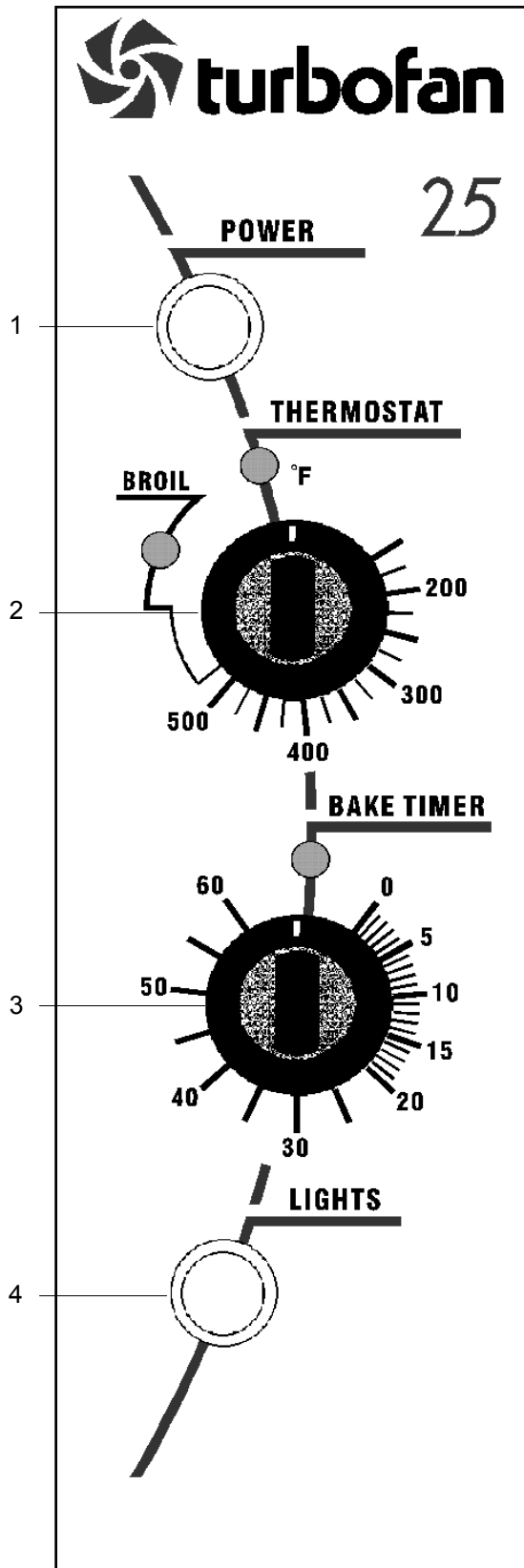
3. BAKE TIMER

1 Hour bake timer. (Indicator illuminates when "time up" (0) reached, and buzzer sounds).

4. LIGHT SWITCH

Push switch to activate light. (Oven light illuminates while button depressed).

3.2 DESCRIPTION OF CONTROLS - E25B



1. POWER

Depress to switch power on or off (switch illuminates when power is on).

2. THERMOSTAT

Temperature range 50 - 270°C (120 - 525°F).
(Indicator illuminates when elements are cycling ON to maintain set temperature.

BROIL POSITION (E25B Only) - The BROIL indicator will illuminate indicating that the BROIL function has been set. The HEATING indicator will also illuminate whenever the elements are on.

3. BAKE TIMER

1 Hour bake timer.
(Indicator illuminates when "time up" (0) reached, and buzzer sounds).

4. LIGHT SWITCH

Push switch to activate light.
(Oven light illuminates while button depressed).

3.3 EXPLANATION OF CONTROL SYSTEM

The E25 and E25B Turbofan convection ovens feature multi-function operator controls for which a correct understanding of their operation is required before carrying out any service or fault repair work. The control device functions are explained as follows:

A power switch on the control panel isolates power to all the controls of the oven. With the power switch Off all functions of the oven are inoperable.

NOTE: The supply voltage is fed to the input side of the heating element power relay on E25B models whenever the electrical supply is on.

With the power switch On (illuminated) power is directly supplied to the 60 minute bake timer, door microswitch, temperature control circuit, and the light switch. The light switch will turn the oven light on when the door is closed, but only whilst the light switch is held in.

The door microswitch on the **E25** oven controls the oven light only. Accordingly the light will come on when the door is opened but the circulation fan and fan element will remain on. The door microswitch on the **E25B** oven however, controls the light, the circulation fan, and the fan element. Hence, opening the door on the E25B oven causes the circulation fan and fan element to switch off, as well as causing the oven light to come on. (The broil function incorporated into the E25B oven requires the fan to be inoperative when broiling with the door open).

The 60 minute timer is a mechanical timer and can therefore be operated with the oven's power switch On or Off. However, only with the oven's power switch On will the switch contacts of the 60 minute timer turn on the time-up buzzer and illuminate the time-up indicator on the control panel. The buzzer and time-up indicator provide indication that the time setting has run down to zero and at this point will remain On continuously until the 60 minute timer has been manually set back to the Off (vertical) position. The 60 minute timer does not control any other part of the oven's operating system as this timer is independent of the temperature control and heating system.

The temperature control of these ovens is with

a capillary type thermostat which can be set to a required cooking temperature. The E25B also features a Broil position to provide top browning or broiling in the oven.

The **E25** has an element coiled around the circulation fan in the rear of the oven. Power to the element is provided directly from the thermostat. The control panel indicator light above the thermostat knob cycles on and off with the thermostat to indicate when the element is on and the oven is heating. In the 'Off' position, the element relies on the thermostatic control to prevent it switching on. Accordingly, if the oven temperature drops below approximately 20°C the thermostat and element may cycle on at this setting.

The **E25B** features a Broil element (located in the top of the oven) as well as the fan element. The thermostat switch has a separate switch assembled onto the front of the shaft assembly. This auxiliary switch, depending on the thermostat setting, selects between the fan or broil elements, via a Broil relay located at the rear of the oven. A changeover contact on the broil relay determines which element is provided with power. In series with the broil relay is a second relay which is controlled by the main thermostat switch. This is the heating relay. One pole of the heating relay switches power to the fan element, the other pole switches power to the broil element. When the thermostat cycles, both poles are switched open or closed at the same time. However, since only one pole is being fed power by the broil relay, only the selected element cycles on.

When the **E25B** thermostat is set to a cooking temperature, one set of auxiliary switch contacts remain open. This isolates power from the coil of the two pole broil relay. In this state the normally closed contacts of the first pole provide power directly from the phase connection on the terminal block to the fan element pole on the heating relay. (The normally closed contact on the second pole is unused with this thermostat setting). The second set of auxiliary switch contacts is closed to feed power from the door microswitch to the main thermostat switch. When the thermostat cycles on it in turn feeds power to the coil of the heating relay, causing the changeover poles to switch. This closes the normally open contacts and provides power to the fan element. When the thermostat cycles Off it isolates power to the heating relay coil. This causes the normally

open contacts to reset, thus switching the fan element off. The control panel indicator light above the thermostat knob cycles on and off with the thermostat to indicate when the elements are on and the oven is heating.


When the **E25B** thermostat is set to the Broil position the first set of auxiliary switch contacts close and the second set open. The closed contacts provide power to the coil on the Broil relay. The opened contacts isolate power from the door microswitch to the main thermostat switch. With the thermostat in this setting, power to the coil of the broil relay causes the changeover contacts on both poles to switch. The normally closed contacts of the first pole on the Broil relay open, isolating power to the fan element. The normally open contacts of this pole close providing power instead to the broil element (via the heating relay). Switching of the second pole of the Broil relay closes the normally open contacts, providing power directly to the main thermostat switch. (This alternate power supply to the thermostat allows the Broil element to continue to operate with the oven door open and fan off). When the thermostat cycles On it provides power to the coil of the heating relay. When the heating relay switches, the normally open contacts on both poles close. However, with the thermostat in this position, power is only being provided to the pole feeding the broil element so only the broil element cycles On. When the thermostat cycles Off it isolates power to the heating relay coil. This causes the normally open contacts to reset, thus switching the broil element off again. With the door closed the broil element will cycle On/Off thermostatically at 600°F as this is the thermostat setting in the Broil position. With the door open the broil element will remain on continuously and the circulation fan will be turned off. The main heating indicator will cycle on and off with the thermostat and broil element, whilst the broil indicator will remain illuminated as long as the thermostat is in the Broil setting.


The following Troubleshooting Guide (pg 13) should be used to identify any incorrect oven operation. On correct identification of the operating fault the Troubleshooting Guide will make reference to the corrective action required, or refer to the Fault Diagnosis section and/or Service section to assist in correction of the fault.

4. MAINTENANCE

 **WARNING: ALL INSTALLATION AND SERVICE REPAIR WORK MUST BE CARRIED OUT BY QUALIFIED PERSONS ONLY.**

4.1 CLEANING

 **WARNING: ALWAYS TURN THE POWER SUPPLY OFF BEFORE CLEANING.**

 **IMPORTANT: THIS UNIT IS NOT WATER PROOF. DO NOT USE A WATER JET SPRAY TO CLEAN INTERIOR OR EXTERIOR OF THIS UNIT.**

EXTERIOR

Clean with a good quality stainless steel cleaning compound. Harsh abrasive cleaners may damage the surface.

INTERIOR

Ensure that the oven chamber is cool. Do not use wire brushes, steel wool or other abrasive materials. Clean the oven regularly with a good quality oven cleaner. Take care not to damage the fan or the tube at the right side of the oven which controls the thermostat.

OVEN RACKS

To remove, slide out to the stop position, raise the front edge up, and lift out.

BOTTOM BAFFLE

To remove, lift up the tray at the front finger hole and pull forward out of the oven.

SIDE RACKS

Undo the thumbscrew (anti-clockwise rotation) securing rack to oven wall, swing rack towards centre of oven to disengage location pin at front of side, and pull rack forward to remove. To replace, engage rack in rear holes, swing towards side of oven to engage in front hole, and replace thumbscrew.

FAN BAFFLE

To remove, undo thumbscrew (anti-clockwise rotation) at top of baffle and remove. Lift baffle out from rear of oven by tilting forward while lifting out of location studs at baffle base. Replace in reverse order.

OVEN SEALS

To remove, hold at their centre point and pull forward until they unclip. Remove side seals first, then top and bottom. The seals may be washed in the sink, but take care not to cut or damage them. To replace the top seal, ensure that the lip is facing the oven opening. The left, right and bottom seals have the lip facing out. Fit the top and bottom seals first, then the side seals.

OVEN DOOR GLASS

Clean with conventional glass cleaners

4.2 ROUTINE PROCEDURES

DOOR SEALS

Check for deterioration 12 months

ELEMENTS

Check that element resistances are correct to their ratings (refer 6.3.9) 12 months

5. TROUBLE SHOOTING

⚠ WARNING: ALL INSTALLATION AND SERVICE REPAIR WORK MUST BE CARRIED OUT BY QUALIFIED PERSONS ONLY.

FAULT	POSSIBLE CAUSE	REMEDY
THE OVEN DOES NOT OPERATE / START	<p>The mains isolating switch on the wall, circuit breaker or fuses are "off" at the power board.</p> <p>The power switch on the oven is off.</p> <p>Incorrect electrical supply. (Refer fault diagnosis 6.1.1)</p> <p>Power switch on unit faulty. (Refer fault diagnosis 6.1.1)</p>	<p>Turn on.</p> <p>Depress switch. Switch will illuminate.</p> <p>Ensure electrical supply correct.</p> <p>Replace. (Refer service section 6.3.4)</p>
FAN DOESN'T OPERATE	<p>Door not closed (E25B only).</p> <p>Door microswitch out of adjustment (E25B only). (Refer fault diagnosis 6.1.2)</p> <p>Door microswitch faulty (E25B only). (Refer fault diagnosis 6.1.2)</p> <p>Fan motor faulty. (Refer fault diagnosis 6.1.2)</p> <p>Wiring.</p>	<p>Close door.</p> <p>Adjust. (Refer service section 6.4.3)</p> <p>Replace. (Refer service section 6.3.2)</p> <p>Replace. (Refer service section 6.3.11)</p> <p>Check and tighten any loose wiring.</p>
OVEN LIGHT NOT ILLUMINATING - DOOR OPEN	<p>Blown bulb.</p> <p>No power to light. (Refer fault diagnosis 6.1.3)</p>	<p>Replace. (Refer service section 6.3.1)</p> <p>Correct fault.</p>
OVEN LIGHT NOT ILLUMINATING - DOOR CLOSED	<p>Blown bulb.</p> <p>Light switch faulty. (Refer fault diagnosis 6.1.4)</p>	<p>Replace. (Refer service section 6.3.1)</p> <p>Replace. (Refer service section 6.3.4)</p>
60 MINUTE TIMER WILL NOT TIME DOWN	<p>Timer faulty.</p>	<p>Replace. (Refer service section 6.3.6)</p>
60 MINUTE TIMER INACCURATE BELOW 20 MINUTES	<p>Timer not set correctly.</p> <p>Zero (time up) position not set correctly.</p>	<p>For timer settings below 20 minutes, always rotate past 20 minutes, then back to desired time.</p> <p>(Refer service section 6.4.4)</p>

FAULT	POSSIBLE CAUSE	REMEDY
60 MINUTE TIMER NO TIME UP BUZZER	Buzzer faulty. (Refer fault diagnosis 6.1.5)	Replace. (Refer service section 6.3.5)
	Timer not switching on buzzer. (Refer fault diagnosis 6.1.5)	Replace timer. (Refer service section 6.3.6)
60 MINUTE TIMER NO TIME UP INDICATOR	Indicator faulty. (Refer fault diagnosis 6.1.6)	Replace. (Refer service section 6.3.3)
NO HEAT	No power to thermostat. (Refer fault diagnosis 6.1.7)	Identify fault and correct.
	Thermostat faulty. (Refer fault diagnosis 6.1.7)	Replace. (Refer service section 6.3.7)
	Fan element not working. (Refer fault diagnosis 6.1.10)	Correct element fault. (Refer Fault: Fan element)
	Heating relay faulty - E25B only. (Refer fault diagnosis 6.1.7)	Replace. (Refer service section 6.3.8)
NO TEMPERATURE CONTROL	Thermostat faulty. (Refer fault diagnosis 6.1.8)	Replace. (Refer service section 6.3.7)
	Heating relay faulty - E25B only. (Refer fault diagnosis 6.1.8)	Replace. (Refer service section 6.3.8)
SLOW RECOVERY	Overloading of oven.	Reduce oven loading.
	Electrical supply incorrect.	Check supply voltage is as per rating plate voltage.
	Fan not working.	Check fan operation.
	Thermostat calibration. (Refer fault diagnosis 6.1.9)	Correct calibration. (Refer service section 6.4.1, 6.4.2)
FAN ELEMENT NOT WORKING	Element faulty (blown). (Refer fault diagnosis 6.1.10)	Replace. (Refer service section 6.3.9)
	Faulty thermostat. (Refer fault diagnosis 6.1.10)	Replace. (Refer service section 6.3.7)
	Heating relay faulty - E25B only. (Refer fault diagnosis 6.1.10)	Replace. (Refer service section 6.3.8)
	Broil relay faulty - E25B only. (Refer fault diagnosis 6.1.10)	Replace. (Refer service section 6.3.8)
NO THERMOSTAT HEATING INDICATOR LIGHT	Indicator faulty. (Refer fault diagnosis 6.1.11)	Replace. (Refer service section 6.3.3)

FAULT	POSSIBLE CAUSE	REMEDY
BROIL ELEMENT NOT WORKING (E25B ONLY)	Element faulty / blown. (Refer fault diagnosis 6.1.12) Faulty thermostat. (Refer fault diagnosis 6.1.12) Heating relay faulty (Refer fault diagnosis 6.1.12) Broil relay faulty (Refer fault diagnosis 6.1.12)	Replace. (Refer service section 6.3.9) Replace. (Refer service section 6.3.7) Replace. (Refer service section 6.3.8) Replace. (Refer service section 6.3.8)
NO BROIL INDICATOR LIGHT (E25B ONLY)	Indicator faulty. (Refer fault diagnosis 6.1.13)	Replace. (Refer service section 6.3.3)
OVEN OVERHEATS IN BROIL MODE—DOOR SHUT (E25B ONLY)	Faulty heating relay. (Refer fault diagnosis 6.1.14)	Replace. (Refer service section 6.3.8)
DOOR DOES NOT CLOSE	Tray in way of door. Door seal obstruction. Door hinges worn. Door hinge counter brackets worn.	Correctly position tray in rack. Correctly install door seal. (Refer service section 6.3.14) Replace. (Refer service section 6.3.16) Replace. (Refer service section 6.3.17)
DOOR SEAL LEAKS	Door seal damaged. Door seal incorrectly fitted.	Replace. (Refer service section 6.3.14) Correctly install door seal. (Refer service section 6.3.14)
POWER SWITCH DOES NOT SWITCH UNIT OFF	Power switch faulty. (Refer fault diagnosis 6.1.15) Broil relay faulty (E25B only). (Refer fault diagnosis 6.1.15) Heating relay faulty (E25B only). (Refer fault diagnosis 6.1.15)	Replace. (Refer service section 6.3.4) Replace. (Refer service section 6.3.8) Replace. (Refer service section 6.3.8)

6. SERVICE PROCEDURES

 **WARNING:** ENSURE POWER SUPPLY IS SWITCHED OFF BEFORE SERVICING.

 **WARNING:** ALL INSTALLATION AND SERVICE REPAIR WORK MUST BE CARRIED OUT BY QUALIFIED PERSONS ONLY.

SECTION	PAGE NO.
6.1 FAULT DIAGNOSIS	18
6.1.1 Oven Does Not Operate / Start.....	18
6.1.2 Fan Does Not Operate.....	18
6.1.3 Oven Light Not Illuminating—Door Open	18
6.1.4 Oven Light Not Illuminating—Door Closed	18
6.1.5 60 Minute Timer No Time Up Buzzer	18
6.1.6 60 Minute Timer No Time Up Indicator.....	19
6.1.7 No Heat.....	19
6.1.8 No Temperature Control	19
6.1.9 Slow Recovery	19
6.1.10 Fan Element Not Working.....	20
6.1.11 No Thermostat Heating Indicator.....	20
6.1.12 Broil Element Not Working.....	20
6.1.13 Broil Indicator Not Working	21
6.1.14 Oven Overheats in Broil Mode.....	21
6.1.15 Power Switch Does Not Turn Unit Off	21
6.2 ACCESS	22
6.2.1 Control Panel	22
6.2.2 Service Panel (Rear Panel)	22
6.2.3 Baffle.....	22
6.2.4 E25 Control Panel (Rear).....	22
6.2.5 E25B Control Panel (Rear)	22
6.3 REPLACEMENT	23
6.3.1 Light Bulb / Glass	23
6.3.2 Door Microswitch	23
6.3.3 Indicator Neon Light.....	23
6.3.4 Power / Lights	23
6.3.5 Buzzer	23
6.3.6 Bake Timer.....	24
6.3.7 Thermostat.....	24
6.3.8 Relay.....	24
6.3.9 Element.....	24
6.3.10 Fan.....	25
6.3.11 Motor.....	25
6.3.12 Outer Glass.....	25
6.3.13 Inner Glass.....	26
6.3.14 Door Seals	26
6.3.15 Door Handle.....	26
6.3.16 Door Hinges.....	26
6.3.17 Hinge Counter Brackets.....	26

6.4	ADJUSTMENT / CALIBRATION	28
6.4.1	Thermostat Calibration (E25).....	28
6.4.2	Thermostat Calibration (E25B)	28
6.4.3	Door Microswitch Adjustment	29
6.4.4	60 Minute Timer Zero Position Adjustment.....	29

6.1 FAULT DIAGNOSIS

6.1.1 OVEN DOES NOT OPERATE / START

Incorrect electrical supply

Check that the voltage across phase and neutral (L1 and L2) terminals of terminal block is the voltage as stated on the unit's electrical rating plate.

If incorrect, check electrical connection of supply wiring and / or check electrical supply.

Power switch faulty

Check if power switch latches. If the switch does not latch, then switch is faulty—replace.

With switch latched, check voltage across terminal one to terminal three or four. If there is no voltage, check for fault in wiring.

Check voltage across terminal two to terminal three or four. If there is no voltage, then switch is faulty—replace.

NOTE: When power switch is latched, it should illuminate if operating correctly.

6.1.2 FAN DOESN'T OPERATE

Fan motor faulty

With door closed, check the supply voltage across motor terminals. If there is no voltage then check the electrical connections of supply wiring.

If voltage is correct then check the oven fan for free rotation. Remove any obstruction.

If fan is free to spin and the voltage supply is correct, then the motor is faulty—replace.

Microswitch out of adjustment - E25B only

Open oven door and manually depress door microswitch actuator at top right of oven. If this activates the fan, then the microswitch actuator arm inside control cavity requires adjustment.

Microswitch faulty - E25B only

Check voltage across microswitch terminals to neutral.

With the door closed there should be power to the com terminal and the n.o. terminal.

With the door open there should be power to the com terminal and the n.c. terminal.

If not, microswitch is faulty—replace.

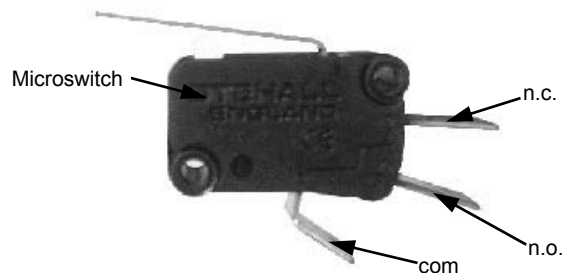


Figure 6.1.1

6.1.3 OVEN LIGHT NOT ILLUMINATING—DOOR OPEN

No power to light

Check the supply voltage across lamp housing terminals at rear of oven. If the voltage is correct, replace the bulb (if faulty). If the bulb is OK, check lamp housing. Replace if faulty.

If there is no voltage, check voltage across micro-switch terminals to neutral.

With the door closed there should be power to the com terminal and the n.o. terminal.

With the door open there should be power to the com terminal and the n.c. terminal.

If not, microswitch is faulty—replace.

6.1.4 OVEN LIGHT NOT ILLUMINATING—DOOR CLOSED

Light switch faulty

Check voltage to the top terminal of the switch. If there is no voltage, then check wiring.

With switch depressed, check voltage at bottom terminal. If there is no voltage, then replace the switch.

If voltage is correct, then check wiring to light.

NOTE: Alternately, perform a continuity test across the terminals with the light switch depressed.

6.1.5 60 MINUTE TIMER NO TIME UP BUZZER

Buzzer faulty

With timer in 'zero' position, check the buzzer at bottom of control panel (inside) for voltage across terminals. If voltage is correct then buzzer is faulty—replace.

If there is no voltage, then check wiring.

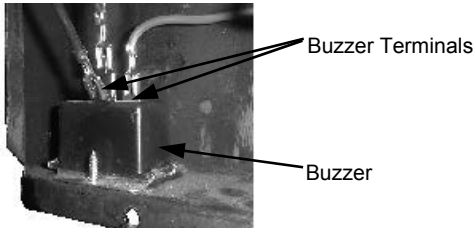


Figure 6.1.2

Timer not switching on buzzer

With timer in zero position, check voltage to input and output terminals of timer. If there is no voltage at input terminal then check wiring.

If no voltage at output terminal then timer is faulty—replace.

NOTE: Buzzer and time up indicator will continue until the timer is manually switched off (to vertical position).

6.1.6 60 MINUTE TIMER NO TIME UP INDICATOR

Indicator faulty

With the timer in the zero position, check for voltage across the indicator light. If correct, then the indicator light is faulty—replace.

If there is no voltage then check wiring.

6.1.7 NO HEAT

No power to thermostat - E25

Check voltage to terminal P (top terminal) on oven thermostat. If there is no voltage then check wiring.

No power to thermostat - E25B

Check voltage to terminal 5 of oven thermostat. If there is no voltage then check wiring.

With door closed, check voltage to terminal 6 of oven thermostat. If no voltage, check voltage to terminal NO of door microswitch. If there is no voltage then refer 6.1.2, microswitch faulty. If there is voltage then check wiring to thermostat.

Thermostat faulty - E25

Set thermostat to 200°C or 400°F. Check the voltage out of terminal 1 on the thermostat. If there is no voltage then the thermostat is faulty—replace.

If the voltage is correct and the heating light is on then check all wiring to elements.

Thermostat faulty - E25B

Set thermostat to 200°C or 400°F. With door closed, check the voltage out of terminal 2 on the thermostat. If there is no voltage then the thermostat is faulty—replace.

If the voltage is correct and the heating light is on then check all wiring to elements.

Heating relay faulty—E25B

Set thermostat to 200°C or 400°F. With door closed, check voltage to terminal A of heating relay. If no voltage check wiring. If correct voltage to A, heating relay is faulty—replace.

6.1.8 NO TEMPERATURE CONTROL

Thermostat faulty

With thermostat in 'off' position (knob vertical), slowly turn thermostat up until heating indicator just comes on. Wait for heating indicator to cycle off. If indicator has not cycled off after 10 minutes then thermostat is faulty—replace.

NOTE: E25 thermostat may cycle on and off with the knob set to the 'off' position if the oven temperature is below 20°C.

Heating relay faulty—E25B

With power switch off on control panel, check for voltage at terminal 6 of heating relay. If there is voltage then the heating relay is faulty—replace.

6.1.9 SLOW RECOVERY

Thermostat out of calibration

Place an accurate digital thermometer probe in centre of oven. Set thermostat to 180°C or 355°F. Close the oven door and allow oven thermostat to cycle on and off twice. Record oven centre temperature for the next thermostat on and off cycle. The thermostat should cycle on and off between 165°C and 195°C or 330°F and 385°F when set to the above temperature. If oven temperature is outside these ranges, then the thermostat requires recalibration.

NOTE: Thermostat cycling span should be $\pm 15^{\circ}\text{C}$ or 27°F

6.1.10 FAN ELEMENT NOT WORKING

Element faulty (blown)

With the thermostat on and heating check voltage across fan element terminals at rear of oven. If the voltage is correct then check the current draw of element. If there is no current draw then element is faulty—replace.

NOTE: Correct fan element current draw:

E25 120 V:	12.9A ± 1.5A
E25B 120 V:	16.7A ± 1.5A
E25 240 V:	8.3A ± 1.5A

Thermostat faulty—E25

If there is no voltage to element terminals then check voltage is being supplied to fan element from terminal 1 on the thermostat. If no voltage at 1 then check for voltage at terminal P. If power to P (and none to 1), then the thermostat is faulty—replace.

Thermostat faulty—E25B

Check voltage at terminal 6 of thermostat. If no voltage then check wiring. If voltage correct, check voltage at terminal 2. If there is no voltage then the thermostat is faulty—replace.

Broil relay faulty—E25B

If voltage at terminal 2 of thermostat is correct, check voltage at terminal 9 of broil relay. If no voltage check wiring. If voltage correct, check voltage to terminal 3. If voltage at terminal 9, but not at terminal 3 then relay is faulty—replace.

Heating relay faulty—E25B

If voltage at terminal 2 of thermostat and terminal 3 of broil relay are correct, check voltage at terminal A of heating relay. If no voltage then check wiring. If voltage at A correct, check voltage at terminal 9. If no voltage at 9 check wiring. If voltage at 9 correct, check voltage at terminal 6. If no voltage at 6 then relay is faulty—replace. If voltage at 6 is correct then check wiring to element.

6.1.11 NO THERMOSTAT HEATING INDICATOR

Indicator faulty

With the thermostat on and heating, check the voltage across the indicator terminals. If the voltage is correct then the indicator is faulty—replace.

If there is no voltage then check wiring.

6.1.12 BROIL NOT WORKING (E25B ONLY)

Element faulty / blown

Set thermostat to broil position (fully clockwise). Check voltage at the broil element terminals at rear of oven. If voltage is correct then check current draw of element. If no current draw then the element is faulty—replace.

NOTE: Top element current draw:

120 V:	16.7A ± 1.5A
--------	--------------

Thermostat faulty

With thermostat in broil position:

- 1) Check broil indicator control panel indicates. If not, check voltage at terminal 5 on thermostat switch. If no voltage, check wiring. If voltage correct, check voltage at terminal P5. If no voltage at P5 then switch is faulty—replace thermostat assembly.
- 2) Check heating indicator on control panel indicates. If not, check voltage at terminal 2 of thermostat. If voltage correct, check wiring. If no voltage, check voltage at terminal 1 of thermostat. If voltage at terminal 1 correct, thermostat is faulty—replace.

Broil relay faulty

Check voltage at terminal A of broil relay. If no voltage check wiring. If voltage at A correct, check voltage at terminal 9. If no voltage at 9 check wiring. If voltage at 9 correct then check voltage at terminal 6. If no voltage at 6 then relay is faulty—replace. If voltage at 6 is correct, check voltage at terminal 7. If no voltage at 7 then check wiring. If voltage at 7 is correct then check voltage at terminal 4. If no voltage at 4 then relay is faulty—replace.

Heating relay faulty

Check voltage at terminal A of heating relay. If no voltage check wiring. If voltage at A correct, check wiring at terminal 7. If no voltage check wiring. If voltage is correct, check voltage at terminal 4. If no voltage at 4 then relay is faulty—replace. If voltage at 4 is correct then check wiring.

6.1.13 BROIL INDICATOR NOT WORKING (E25B ONLY)

Indicator faulty

With thermostat in broil position, check the voltage across the indicator terminals. If the voltage is correct then indicator is faulty—replace.

If there is no voltage then check wiring.

6.1.14 OVEN OVERHEATS IN BROIL MODE (E25B ONLY)

Heating relay faulty

With the oven switched off, disconnect the wires from terminals 7 and 4 of the heating relay. Check for continuity through these terminals. If there is continuity then the relay is faulty—replace.

6.1.15 POWER SWITCH DOES NOT TURN UNIT OFF.

Power switch faulty

Check if power switch latches. If the switch does not latch, then the switch is faulty—replace.

With switch unlatched and door open, check voltage across terminal 2 to terminal 3 or 4. If there is voltage then the switch is faulty—replace.

Alternatively, perform a continuity test across terminals 1 and 2. This should show an open circuit when the switch is unlatched.

NOTE: When power switch is unlatched it should not be illuminated if operating correctly.

Broil relay faulty (E25B only)

With power switch off, check for voltage at terminal 4 of broil relay. If there is voltage then the relay is faulty—replace.

Heating relay faulty (E25B only)

With the oven switched off, disconnect the wires from terminals 9 and 6 of the heating relay. Check for continuity through these terminals. If there is continuity then the relay is faulty—replace.

6.2 ACCESS

6.2.1 CONTROL PANEL

- 1) Undo one screw at bottom of control panel.



Figure 6.2.1

- 2) Pull out bottom of control panel and drop down to disengage tabs at top of control panel.

6.2.2 SERVICE (REAR) PANEL

- 1) Undo the four screws holding the panel.

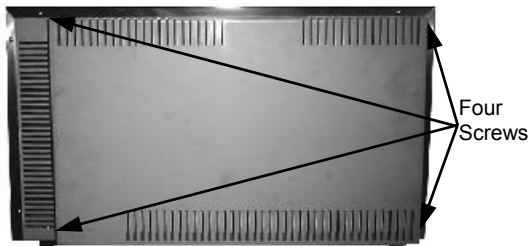


Figure 6.2.2

- 2) Remove panel.

6.2.3 BAFFLE

- 1) Remove trays, racks and bottom tray.
- 2) Undo thumbscrew (top).

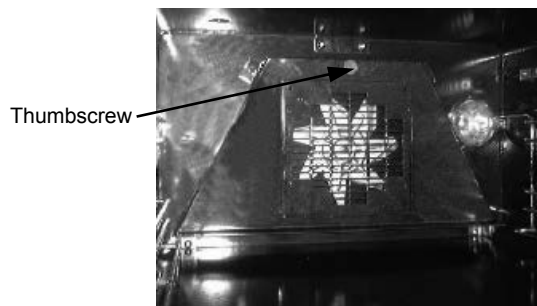


Figure 6.2.3

- 3) Remove baffle.

6.2.4 E25 CONTROL PANEL—REAR

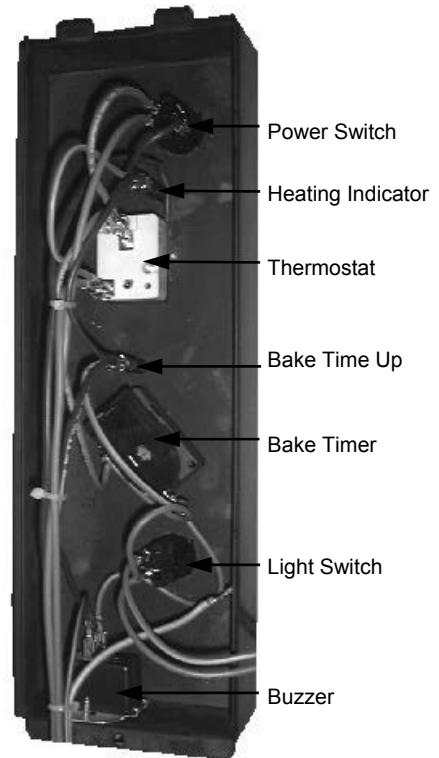


Figure 6.2.4

6.2.5 E25B CONTROL PANEL—REAR

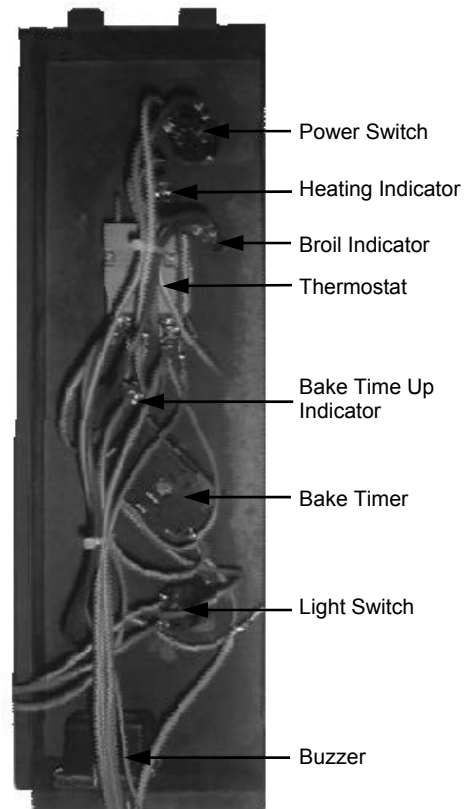


Figure 6.2.5

6.3 REPLACEMENT

6.3.1 LIGHT BULB / GLASS

- 1) Unscrew lamp cover.

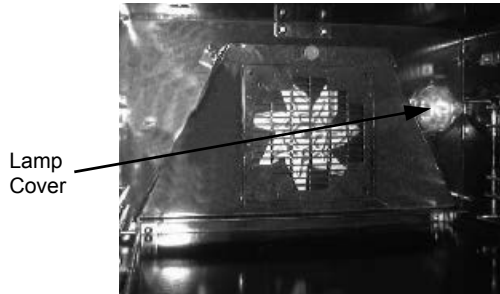


Figure 6.3.1

- 2) Unscrew bulb out of fitting.
- 3) Screw in replacement bulb.
- 4) Replace lamp cover.

6.3.2 DOOR MICROSWITCH

- 1) Open oven door.
- 2) Open control panel (refer 6.2.1).
- 3) Remove two screws holding microswitch to bracket.

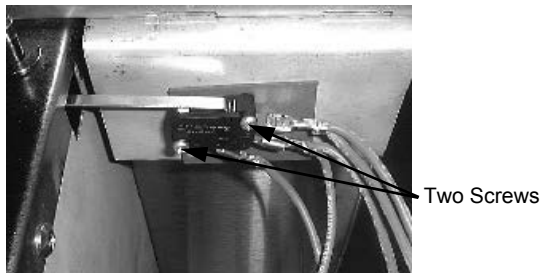


Figure 6.3.2

- 4) Transfer wires to new micro-switch and re-assemble.
- 5) Adjust microswitch (refer 6.4.2).

6.3.3 INDICATOR NEON LIGHT

- 1) With control panel open (refer 6.2.1) remove the wires from the back of the neon.

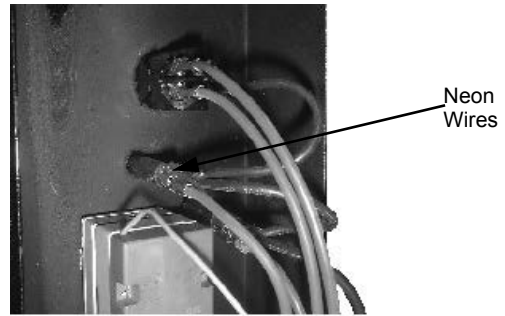


Figure 6.3.3

- 2) From back push neon through front of panel rotating clockwise.
- 3) Push new neon in from front of panel, and reconnect wires.

6.3.4 POWER / LIGHT SWITCHES

- 1) With control panel open (refer 6.2.1) remove the wires from the back of the switch, noting their positions.

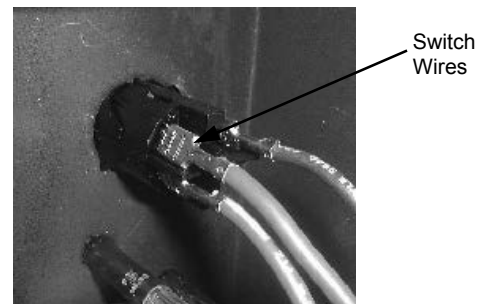


Figure 6.3.4

- 2) From back push switch through front of panel.
- 3) Push new switch in from front of panel, and reconnect wires.

6.3.5 BUZZER

- 1) Remove control panel (refer 6.2.1).
- 2) Remove two screws holding buzzer to panel.

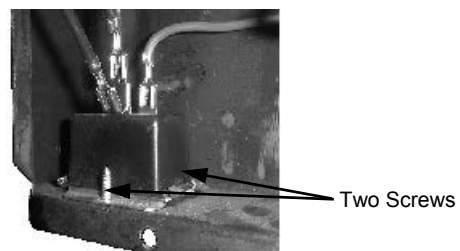


Figure 6.3.5

- 4) Transfer wires to new buzzer.
- 5) Reassemble in reverse order.

6.3.6 BAKE TIMER

- 1) Remove bake timer knob by pulling it firmly away from control panel.
- 2) Open control panel (refer 6.2.1) and undo two screws securing timer.

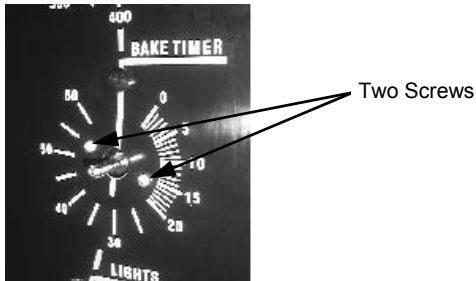


Figure 6.3.6

- 3) Transfer wires to new timer.
- 4) Withdraw old timer and insert new timer, securing with screws.
- 5) Replace knob.

6.3.7 THERMOSTAT

- 1) Pull knob off front of thermostat
- 2) Open control panel (refer 6.2.1) and undo two screws securing thermostat.

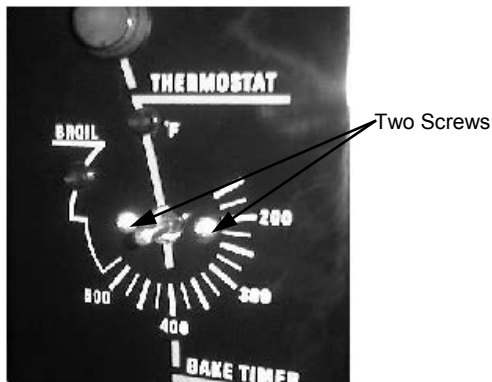


Figure 6.3.7

- 3) Transfer wires to new thermostat.
- 4) Remove service panel (refer 6.2.2) and from inside of oven loosen two screws holding thermostat phial bracket.

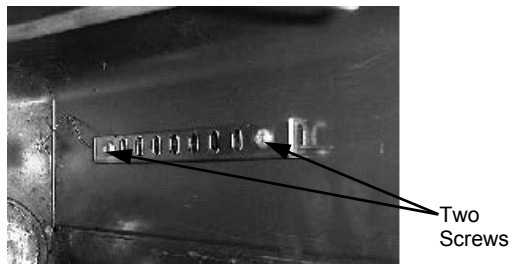


Figure 6.3.8

- 5) Withdraw old thermostat phial through rear of oven.
- 6) Insert new thermostat.
- 7) Re-assemble in reverse order.

6.3.8 RELAY

- 1) Remove service panel (refer 6.2.2).
- 2) Undo two screws securing relay to oven.

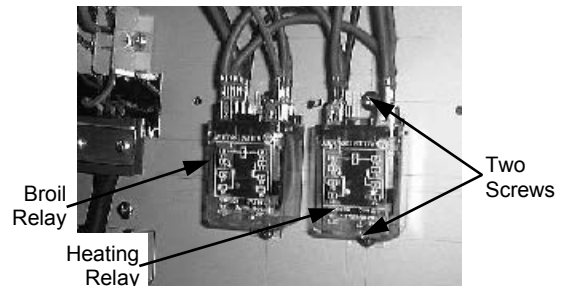


Figure 6.3.9

- 3) Transfer wires to new relay, and secure to oven with screws.

6.3.9 ELEMENT

- 1) With service panel and baffle removed (refer 6.2.2 and 6.2.3) remove the wires from the element(s).
- 2) Unscrew the element from inside the oven.

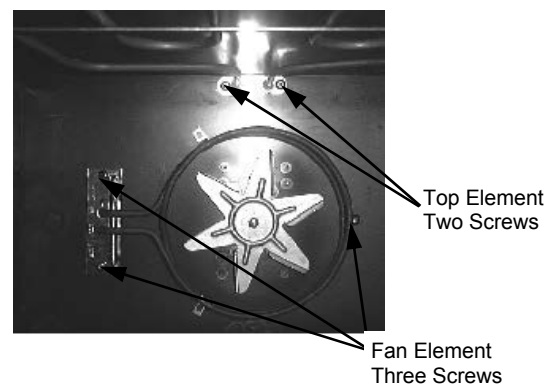


Figure 6.3.10

- 3) Pull element carefully to remove.
- 4) Replace and re-assemble in reverse order.

Element Ratings

100-120V	Top Element	7.2 ohms
	Fan Element (E25)	9.3 ohms
	Fan Element (E25B)	7.2 ohms
220-240V	Fan Element	28.8 ohms

6.3.10 FAN

- 1) With baffle removed (refer 6.2.3) undo the centre nut.

NOTE: LH thread - Turn clockwise to loosen.
From S/N 251948 Take care with spacer.
Up to S/N 251947 Take care not to lose the two washers.

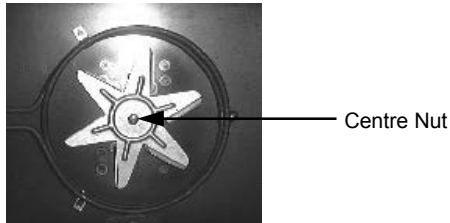


Figure 6.3.11

- 2) Replace and re-assemble in reverse order.

NOTE: Reassemble with spacer behind fan.
or
Reassemble with one washer behind fan, and one washer in front.

6.3.11 MOTOR

- 1) Remove fan (refer 6.3.10), remove service panel (refer 6.2.2) and then remove the wires that go to the motor.
- 2) Undo the four screws holding the motor bracket in place (from the outside) and remove motor assembly.
- 3) Remove three screws holding motor to bracket and remove motor. (fig 6.3.12)
- 4) Replace and re-assemble in reverse order.
- 5) Ensure wire connections are correct (fig 6.3.13 and 6.3.14)

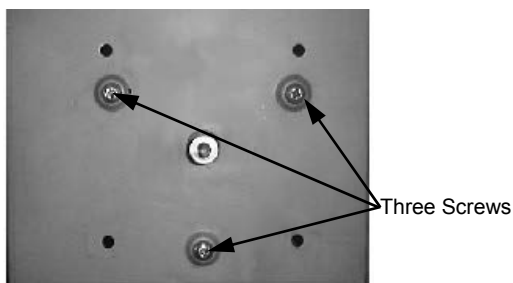


Figure 6.3.12

220 - 240V Motors (from S/N 251948)

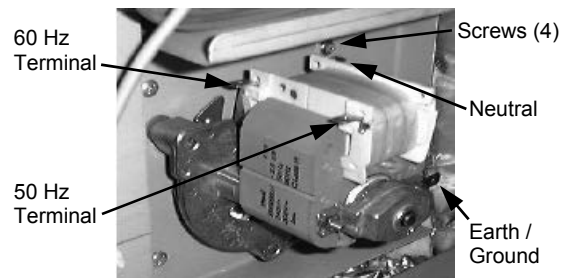


Figure 6.3.13

220 - 240V Motors (up to S/N 251947) 110V Motors (all)

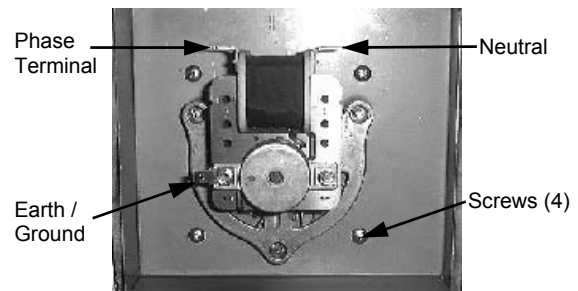


Figure 6.3.14

6.3.12 OUTER GLASS (E25 / E25B)

- 1) Open the oven door.
- 2) Lock hinges into position by rotating the hinge locking clip over the hinge locking notch.

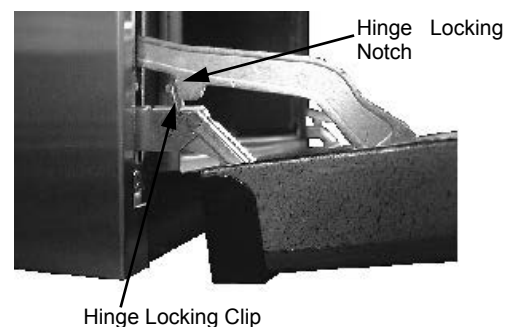
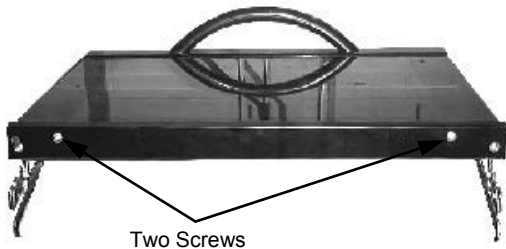


Figure 6.3.15

- 3) Lift door away from the oven and place on a flat surface.
- 4) Undo two screws and remove the trim from the bottom of the door. Carefully withdraw the glass.



Two Screws

Figure 6.3.16

- 5) To replace, ensure that the two silicone rubber seals are in place on the left hand and right hand side of the door frame. Clean the inside of the glass and refit it, ensuring that the silicone rubber seals cover the outer edges of the glass. Refit the bottom trim, and fit the door to the oven.

6.3.13 INNER GLASS (E25 / E25B)

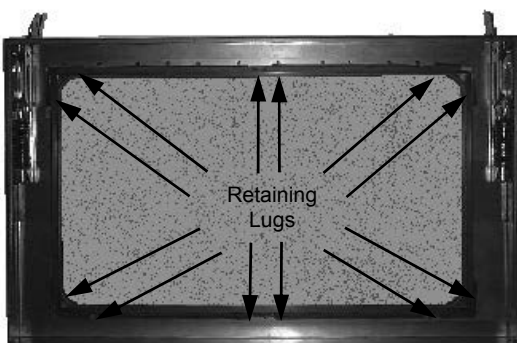
- 1) Remove the outer glass (refer 6.3.12).
- 2) Undo two screws and remove the top trim and handle assembly.



Two Screws

Figure 6.3.17

- 3) Uncrimp the retaining lugs of the window spacer and remove the spacer and glass.



Retaining Lugs

Figure 6.3.18

- 4) To replace, ensure the silicone rubber seal has not been displaced. Clean the glass and refit it. Place the window spacer in position and crimp the retaining lugs over to hold the glass in place. Refit outer glass as above.

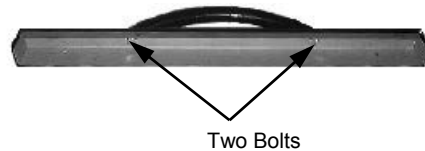
6.3.14 DOOR SEALS

- 1) Open oven door.
- 2) To remove, hold at their centre point and pull forward until they unclip
- 3) Refit new seals.

Note: Fit top and bottom seals first, with open side of seal facing downwards. Fit side seals with open side facing outwards.

6.3.15 DOOR HANDLE (E25 / E25B)

- 1) Remove the door (refer 6.3.12).
- 2) Undo two screws and remove the top trim and handle assembly, taking care not to dislodge the outer glass.
- 3) Undo two bolts securing handle to top trim. Replace handle and reassemble in reverse order.

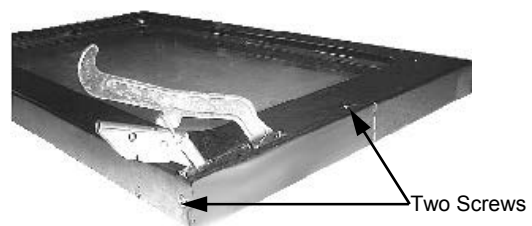


Two Bolts

Figure 6.3.19

6.3.16 DOOR HINGES

- 1) Remove outer glass (refer 6.3.12).
- 2) Undo two screws securing hinge assembly to oven door.



Two Screws

Figure 6.3.20

- 3) Withdraw hinge assembly and replace. Reassemble in reverse order.

6.3.17 HINGE COUNTER BRACKETS

- 1) Remove door (refer 6.3.12).
- 2) Remove screws from back of oven securing wrapper to oven.

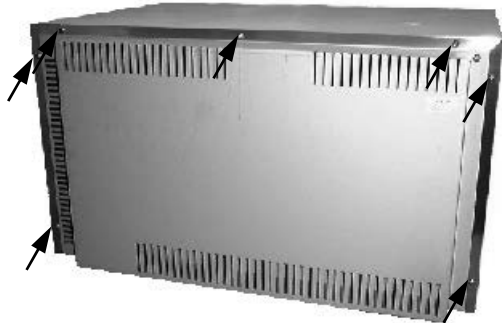


Figure 6.3.21

- 3) Turn oven onto its back and remove three screws at each side securing wrapper, and two securing insulation panel.

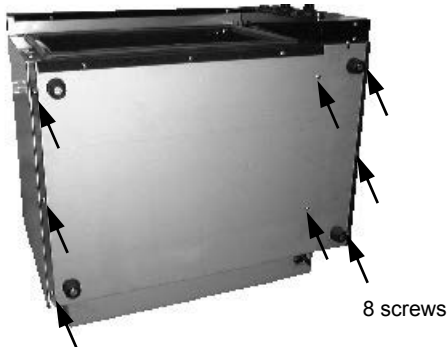


Figure 6.3.22

- 4) Undo two screws and remove lintel cover.
- 5) Remove control panel (refer 6.2.1) and microswitch bracket (refer 6.3.2). Place inside oven.
- 6) Remove two screws securing the lintel support to the oven and remove.

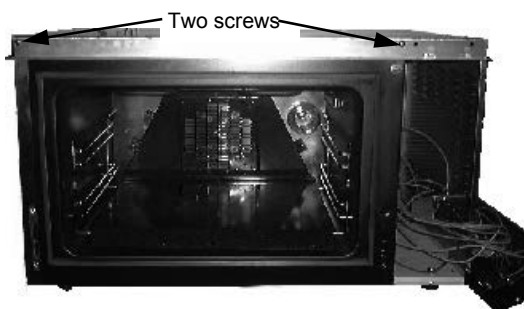


Figure 6.3.23

- 7) Remove wrapper.
- 8) Undo two screws securing left hand counter bracket to oven and remove. Replace, ensuring that bracket is installed with roller to top.

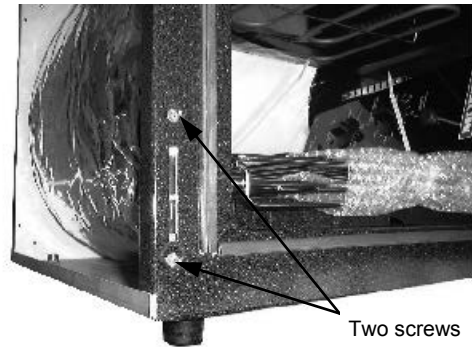


Figure 6.3.24

- 9) Remove two screws securing insulation panel to oven liner.

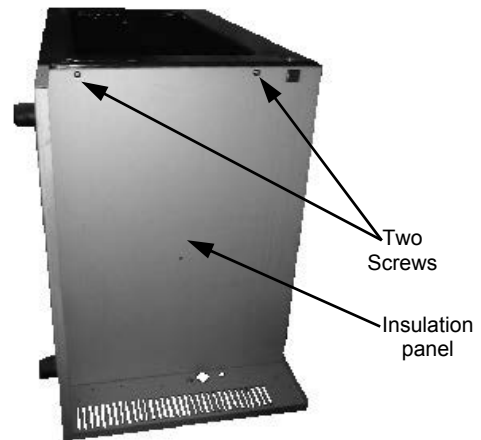


Figure 6.3.25

- 10) Prise open the insulation panel to allow access to the right hand counter bracket. Undo two screws securing bracket, and remove bracket.

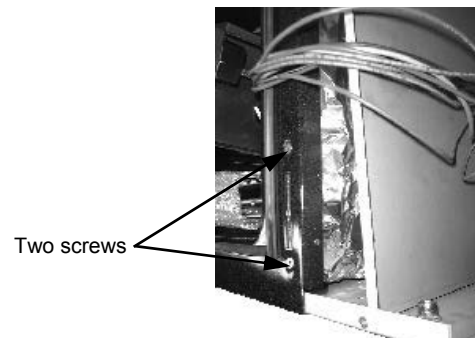


Figure 6.3.26

- 11) Replace, ensuring roller to top of bracket. Re-assemble in reverse order.

6.4 ADJUSTMENT / CALIBRATION

6.4.1 THERMOSTAT CALIBRATION - E25

! IMPORTANT: IF THE OVEN TEMPERATURE NEEDS TO BE INCREASED, ENSURE THAT THE THERMOSTAT IS IN THE 'OFF' POSITION BEFORE CARRYING OUT ADJUSTMENT. IF OVEN TEMPERATURE NEEDS TO BE DECREASED, ENSURE THERMOSTAT IS IN THE 'MAX' TEMPERATURE POSITION BEFORE CARRYING OUT ANY ADJUSTMENT.

- 1) Turn off power.
- 2) Remove thermostat knob by pulling it firmly away from control panel.
- 3) Adjust the calibration screw located in the centre of the thermostat shaft.

To increase oven temperature, turn calibration screw anticlockwise.

To decrease oven temperature, turn calibration screw clockwise.

Adjustment of the calibration screw by 1° angular will alter oven temperature by approximately 0.8°C (1.5°F).



Calibration Screw

Figure 6.4.1

6.4.2 THERMOSTAT CALIBRATION - E25B

! IMPORTANT: IF THE OVEN TEMPERATURE NEEDS TO BE INCREASED, ENSURE THAT THE THERMOSTAT IS IN THE 'OFF' POSITION BEFORE CARRYING OUT ADJUSTMENT. IF OVEN TEMPERATURE NEEDS TO BE DECREASED, ENSURE THERMOSTAT IS IN THE 'MAX' TEMPERATURE POSITION BEFORE CARRYING OUT ANY ADJUSTMENT.

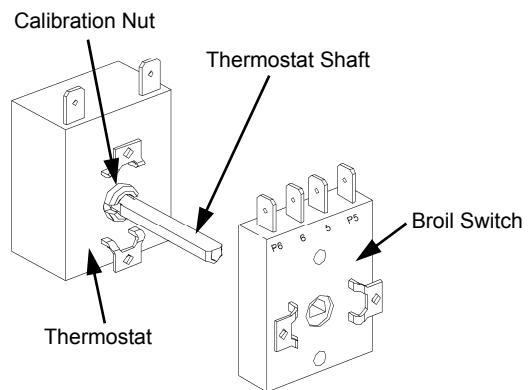


Figure 6.4.2

- 1) Turn off power.
- 2) Remove thermostat knob by pulling it firmly away from control panel.
- 3) Open control panel (refer 6.2.1). Remove two screws on control panel holding thermostat.

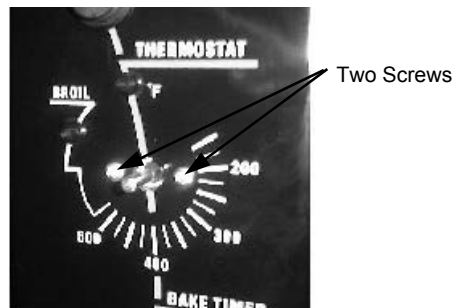


Figure 6.4.3

- 4) The thermostat can now be removed.
- 5) Carefully remove two screws holding broil switch to thermostat.

HINT: Tape broil switch assembly together before removal to prevent it from springing apart.

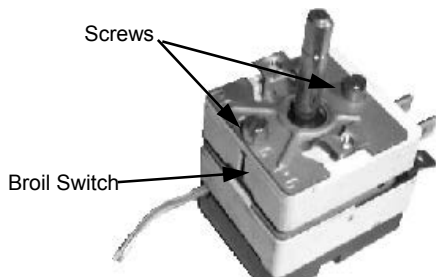


Figure 6.4.4

- 7) Adjust the calibration nut located at the base of the thermostat shaft. To increase oven temperature, turn calibration nut anticlockwise. To decrease oven temperature, turn calibration nut clockwise. Adjustment of the calibration nut by 1° angular will alter oven temperature by approximately 2°C (3.6°F).

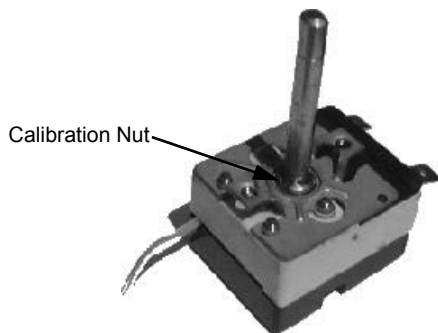


Figure 6.4.5

- 8) Reassemble broil switch onto thermostat and fit assembly back onto control panel.
- 9) Turn on power and recheck oven thermostat calibration.
- 10) Repeat procedure if necessary.

6.4.4 60 MINUTE TIMER ZERO POSITION ADJUSTMENT

- 1) Remove 60 minute timer knob by pulling it firmly away from control panel.
- 2) Open control panel (refer 6.2.1). Loosen two screws on control panel holding 60 minute timer.

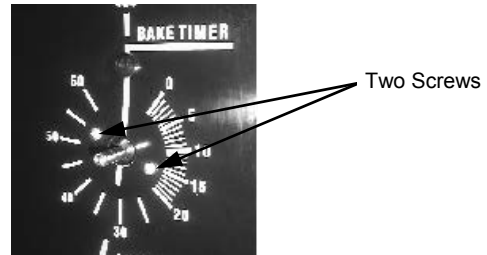


Figure 6.4.7

- 3) The timer can now be rotated as required to ensure that the buzzer sounds at the zero position.

6.4.3 DOOR MICROWITCH ADJUSTMENT

- 1) Open oven door.
- 2) Open control panel (refer 6.2.1).
- 3) With fingers, bend actuator arm of microswitch so that switch operates when door is in closed position.

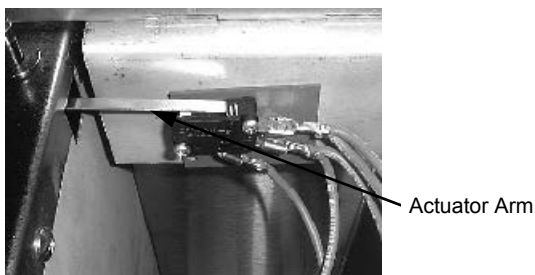
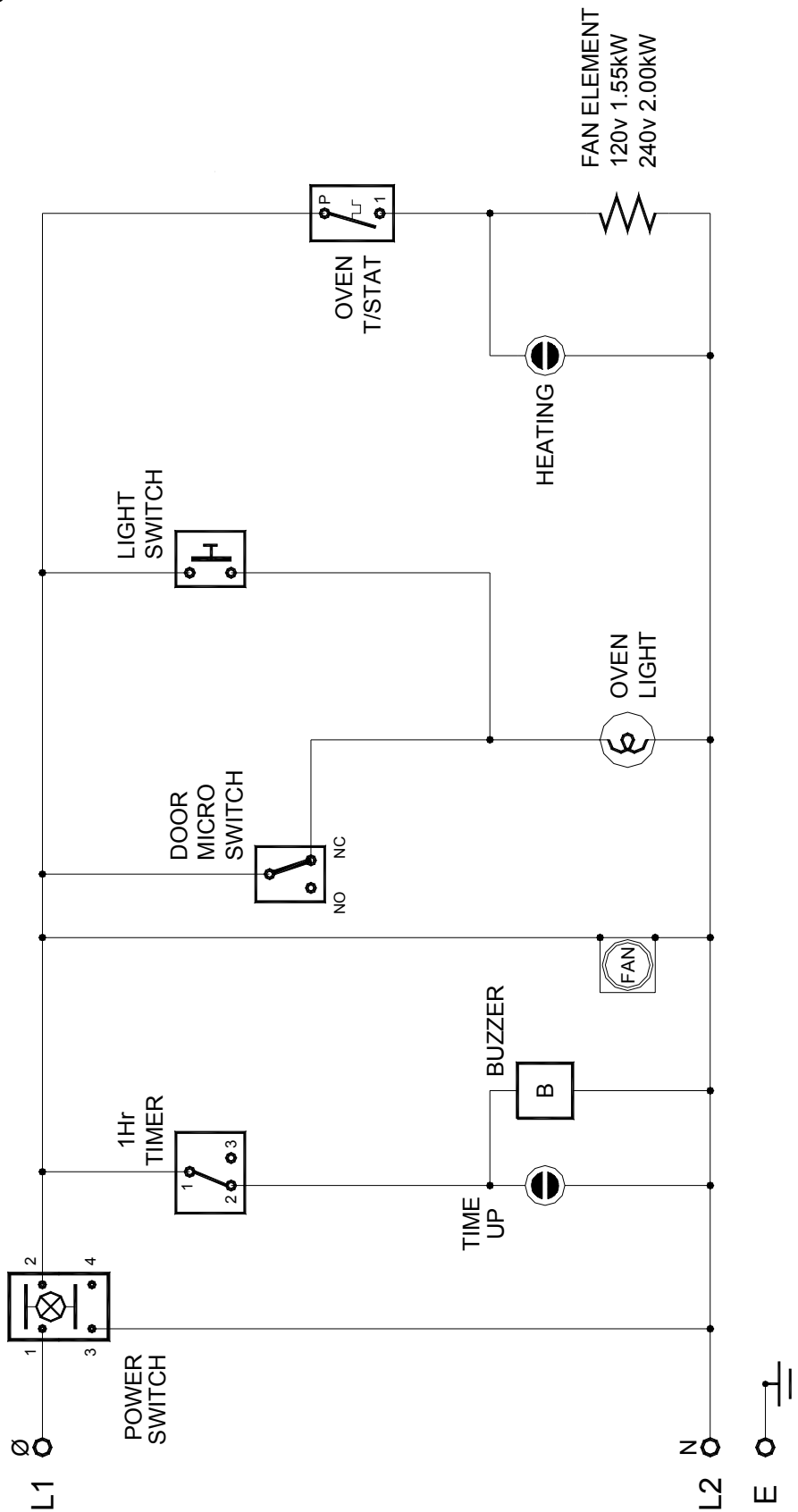


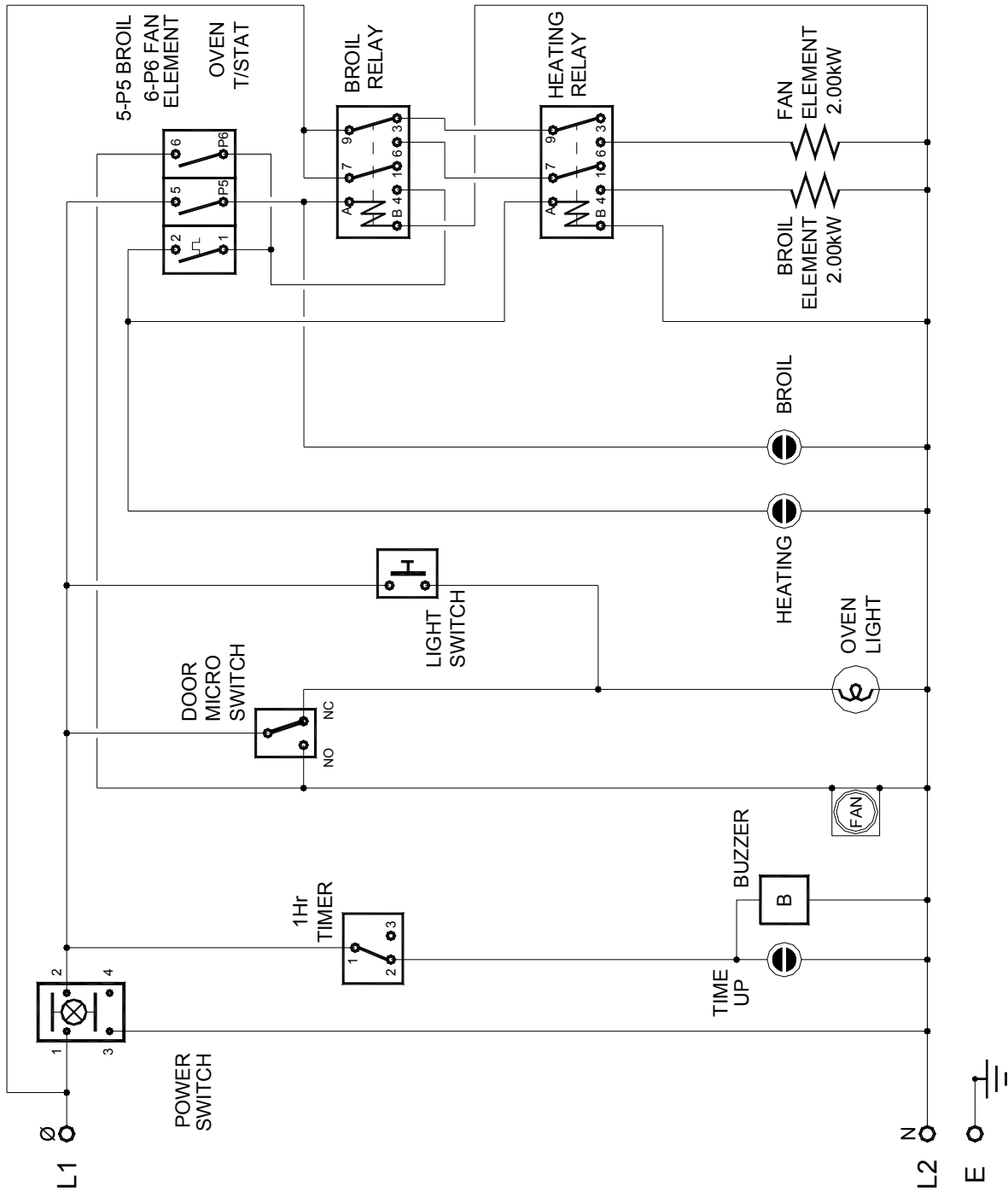
Figure 6.4.6

7. ELECTRICAL CIRCUIT SCHEMATIC

7.1 E25



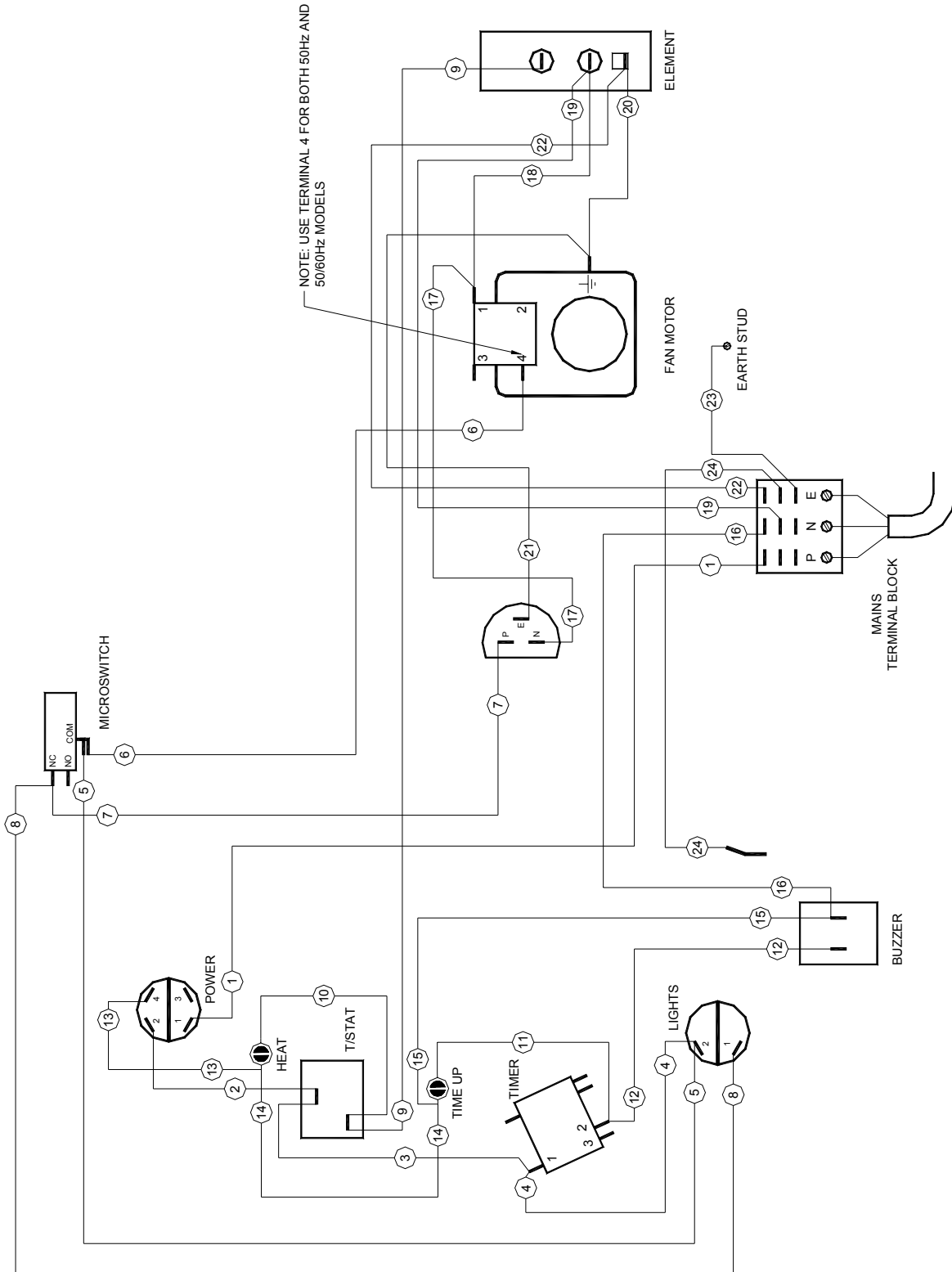
7.2 E25B



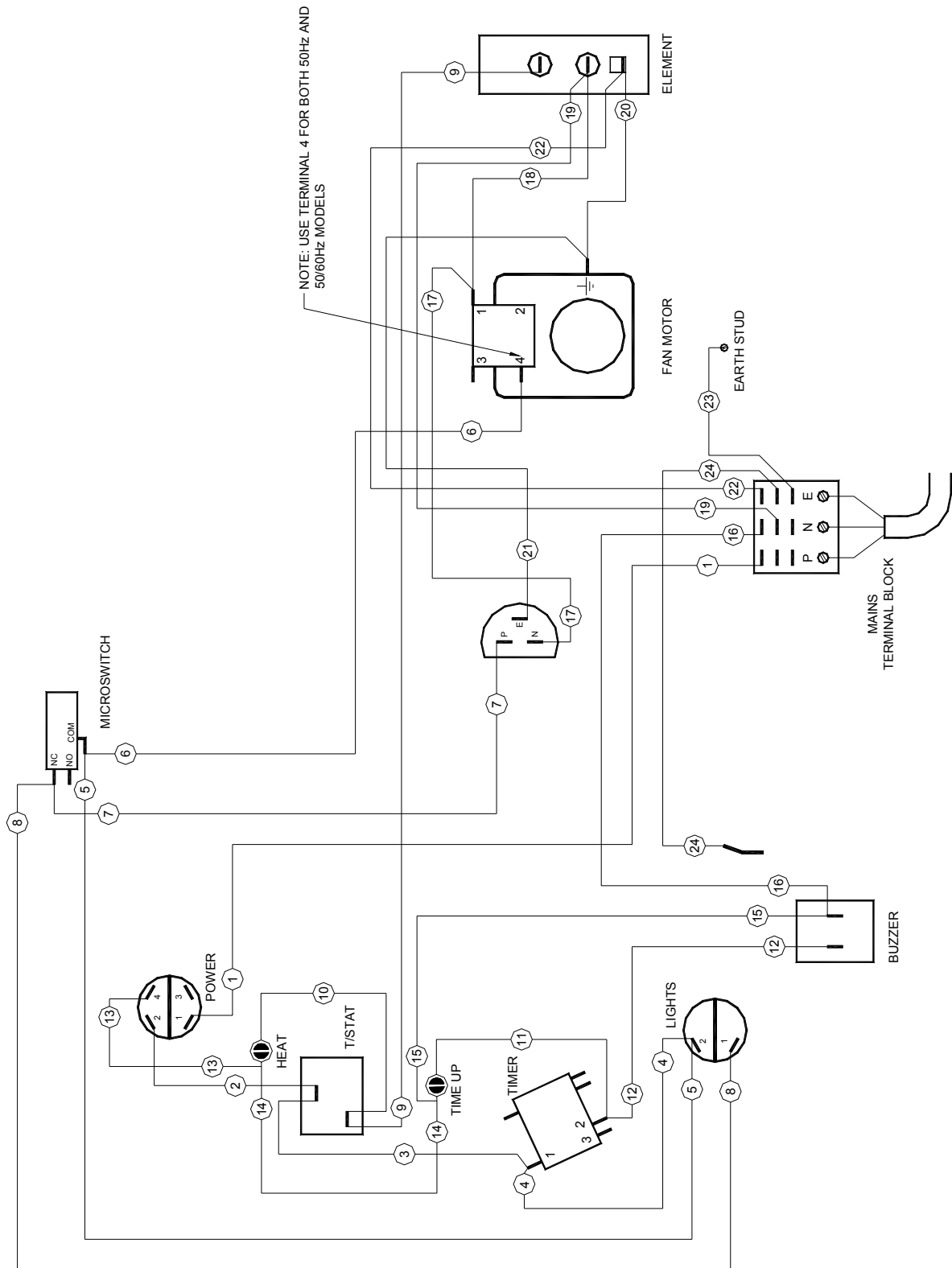
8. ELECTRICAL WIRING DIAGRAM

8.1 E25 (220 - 240V)

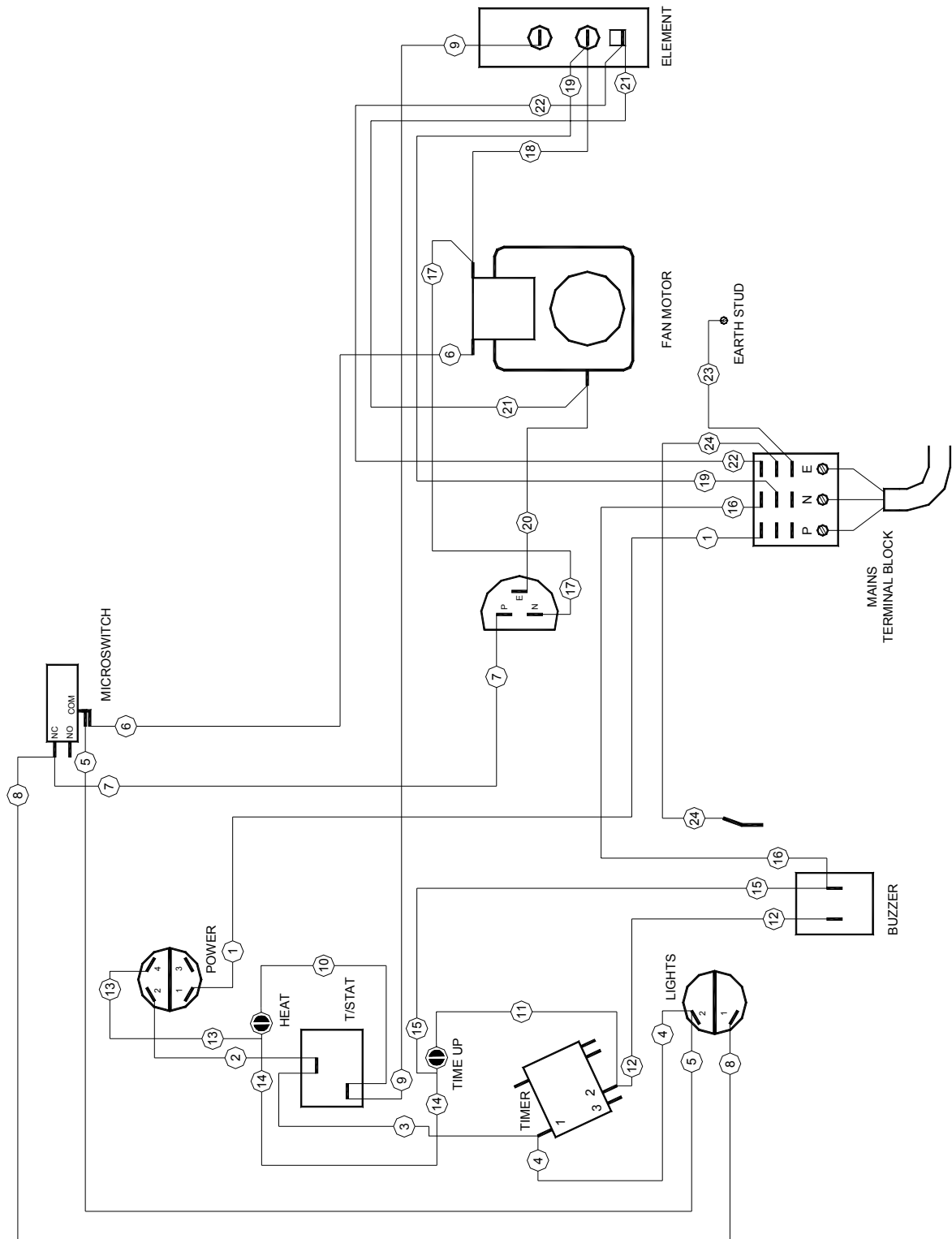
8.1.1 E25 (220-240V) -From S/N 251948



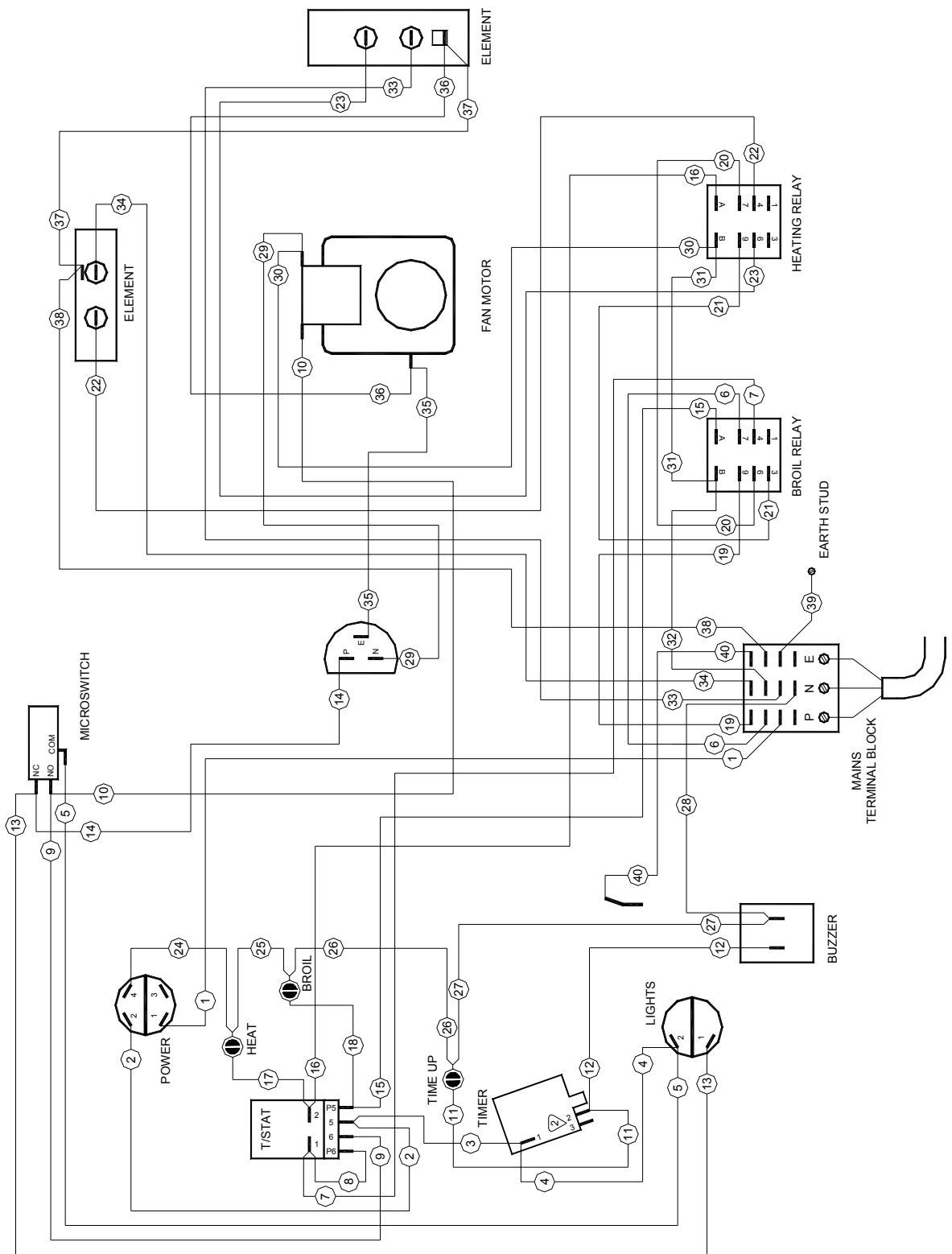
8.1.2 E25 (220-240V) -To S/N 251947



8.2 E25 (110V)



8.3 E25B



9. SPARE PARTS

PART NO	DESCRIPTION
----------------	--------------------

CONTROLS

M021473	Switch - Power (220-240V)
M021514	Switch - Power (110V)
M023211	Thermostat (E25 only)
M017121	Thermostat (E25B only)
M021472	Knob - Thermostat (E25 only)
M020823	Knob - Thermostat (E25B only)
M020823	Knob - Bake Timer
M020849	Neon Indicator
M023212	Bake Timer - Coupatan (To S/N 228661)
M011760	Bake Timer - Diehl (From S/N 228662)
M011794	Buzzer (220-240V)
M015822	Buzzer (110V)
M021474	Light Switch
M023213	Relay (E25B only)
M003004	Microswitch
M013520	Oven Lamp Assembly (220-240V)
M023216	Oven Lamp Assembly (110V)
M013521	Oven Lamp (220-240V) 40W Miniature Edison Screw
M015825	Oven Lamp (110V) 40W Edison Screw

MOTOR & ELEMENTS

M023071	Oven Fan Element (E25 only) (240 volt)
M023069	Oven Fan Element (E25 only) (110 volt)
M023072	Oven Top Element (E25B only) (110 volt)
M023070	Oven Fan Element (E25B only) (110 volt)
M013431K	Fan Motor (220-240V) (From S/N 251948)
M022042	Fan (From S/N 251948)
M023215	Fan Motor c/w Fan (220-240V) (Up to S/N 251947)
M025387	Fan Motor (110V)

DOOR

M023099	Oven Door Seal Strip Side
M014226	Oven Door Seal Strip Top/Bottom
M021468	Handle (E25)
M026498	Handle (E25MS)
M023062	Door Outer Glass (E25)
M023063	Door Inner Glass (E25)
M023063	Door Glass Inner and Outer (E25MS)
M023217	Door Hinge

RACKS / BAFFLES

M023066	Oven Side Rack LH
M023067	Oven Side Rack RH
M023068	Side Rack Screw
M012809	Wire Oven Rack
M023382	Fan Baffle
M023068	Fan Baffle Screw
M004868	Bottom Baffle

10. ACCESSORIES

OVEN RACKS (PART NO M012809)



**100 MM (FOUR INCH) FOOT
OPTION (PART NO M013048)**



**25 MM (ONE INCH) FOOT OPTION
(PART NO M013908)**



A25 STAINLESS STEEL STAND

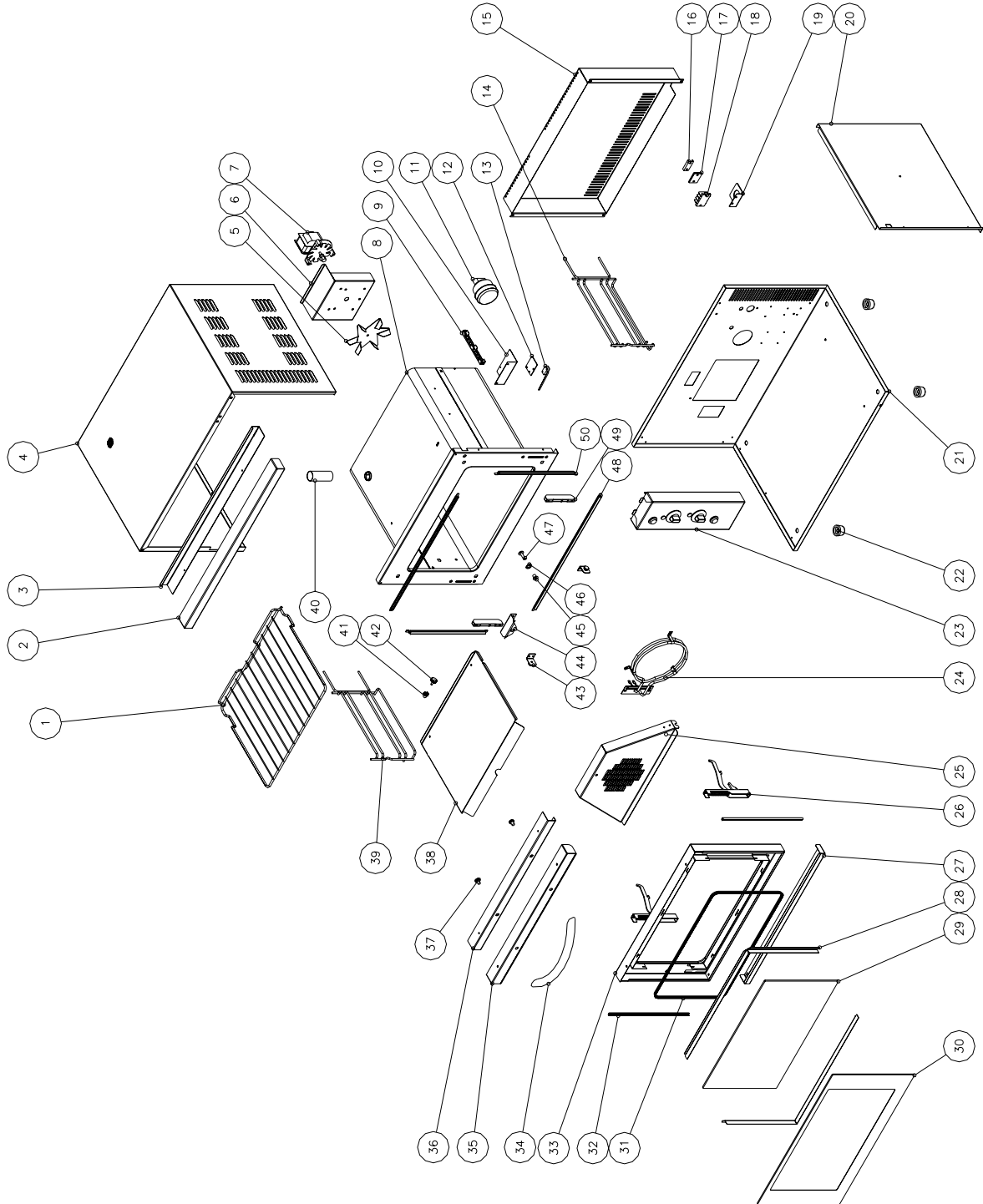


DOUBLE STACKING KIT (PART NO M024290)



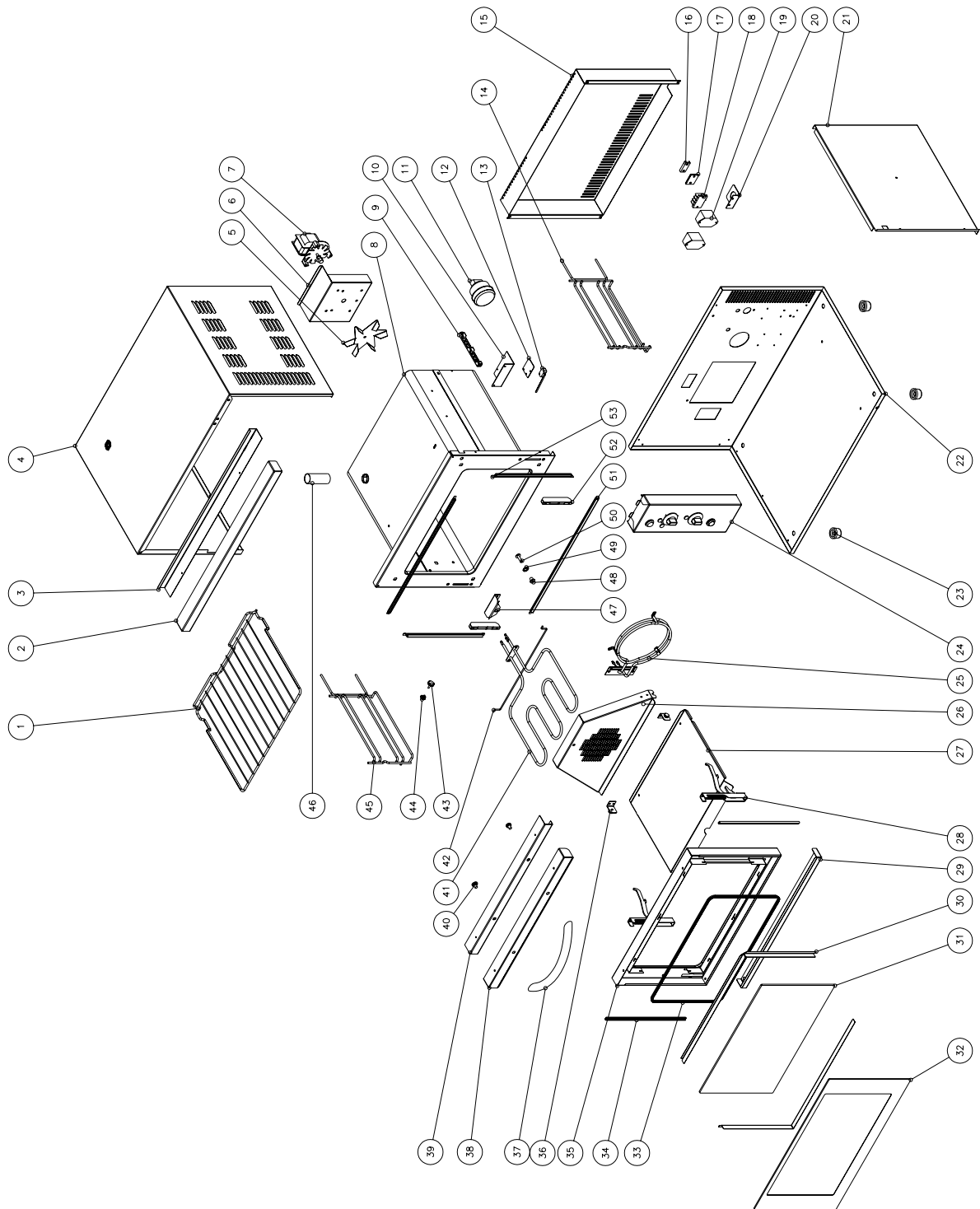
11. PARTS DIAGRAMS

11.1 MAIN ASSEMBLY - E25



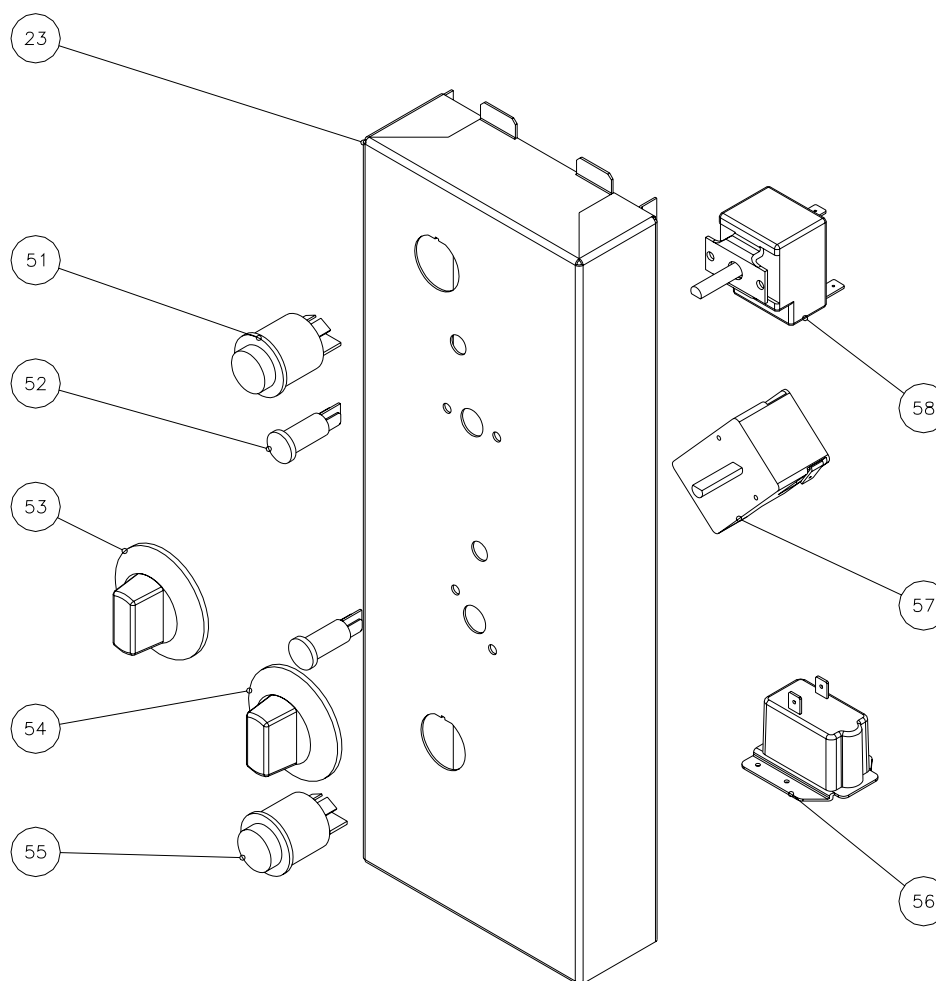
Pos	Part No.	Description
1	M012809	OVEN RACK
2	M011402	PIVOT TOP COVER - E25 / E25B
	M005040	PIVOT TOP COVER - E25MS / E25BMS
3	M023074	LINTEL SUPPORT
4	M023087	WRAPPER
5	M022042	FAN
6	M003016	MOTOR PLATE
7	M013431K	MOTOR - 240V (From S/N 251948)
	M023215	MOTOR - 240V (Up to S/N 251947)
7	M025387	MOTOR - 110V
8	M004857	OVEN
9	M017770	PHIAL GUARD
10	M023093	MICROSWITCH MOUNTING BRACKET
11	M012520	OVEN LIGHT ASSEMBLY - 240V
11	M023216	OVEN LIGHT ASSEMBLY - 110V
12	M013977	MICROSWITCH INSULATION
13	M003004	MICROSWITCH
14	M023067	SIDE RACK RH
15	M023073	COVER PANEL
16	M002138	CABLE CLAMP
17	M002441	INSULATOR
18	M013586	TERMINAL BLOCK
19	M018251	CABLE ENTRY
20	M023089	INSULATION PANEL
21	M023088	BODY
22	M013908	FOOT
23	-----	CONTROL PANEL (Refer to section 11.3 / 11.4)
24	M023071	FAN ELEMENT - 240V
24	M023069	FAN ELEMENT - 110V
25	M023382	BAFFLE RA
26	M023217	DOOR HINGE
27	M023282	BOTTOM TRIM
28	M023091	GLASS CLAMP ANGLE (Refer to section 11.5 for E25MS door)
29	M023063	INNER GLASS (Refer to section 11.5 for E25MS door)
30	M023062	OUTER GLASS (Refer to section 11.5 for E25MS door)
31	M023228	INNER GLASS SEAL (Refer to section 11.5 for E25MS door)
	M090201	INNER GLASS SEAL (Per meter)
32	M023230	OUTER GLASS SEAL (Refer to section 11.5 for E25MS door)
33	M004854	DOOR INNER PANEL (Refer to section 11.5 for E25MS door)
34	M021468	DOOR HANDLE (Refer to section 11.5 for E25MS door)
35	M023281	TOP TRIM (Refer to section 11.5 for E25MS door)
36	M023090	HANDLE STIFFENER (Refer to section 11.5 for E25MS door)
37	M041410	M8 X 20
38	M004868	BOTTOM BAFFLE
39	M023066	SIDE RACK LH
40	M023095	VENT TUBE
41	M044215	CAGE NUT
42	M023068	SIDE RACK SCREW
43	M023384	BAFFLE PIVOT WA
44	M023387	BAFFLE SUPPORT
45	M013610	DOOR BUSH
46	M044210	SPIRE CLIP
47	M021637	MICROSWITCH BUTTON
48	M014226	TOP SEAL
49	M023219	HINGE COUNTER BRACKET
50	M023099	SIDE SEAL

11.2 MAIN ASSEMBLY - E25B (110V ONLY)



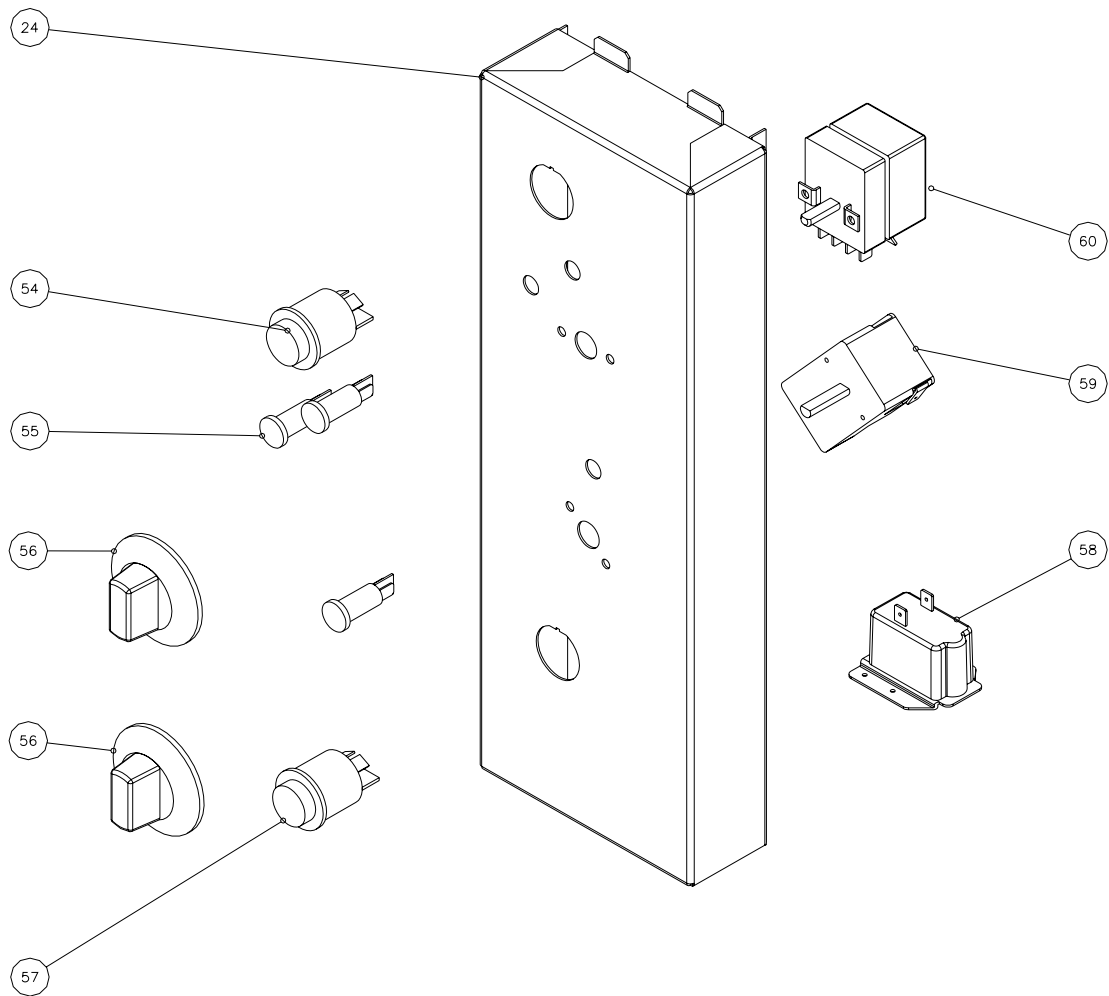
Pos	Part No.	Description
1	M012809	OVEN RACK
2	M011402	PIVOT TOP COVER - E25 / E25B
	M005040	PIVOT TOP COVER - E25MS / E25BMS
3	M023074	LINTEL SUPPORT
4	M023087	WRAPPER
5	M022042	FAN
6	M003016	MOTOR PLATE
7	M025387	MOTOR (110V)
8	M023075	OVEN
9	M017770	PHIAL GUARD
10	M023093	MICROSWITCH MOUNTING BRACKET
11	M023216	OVEN LIGHT ASSEMBLY (110V)
12	M013977	MICROSWITCH INSULATION
13	M003004	MICROSWITCH
14	M023067	SIDE RACK RH
15	M023073	COVER PANEL
16	M002138	CABLE CLAMP
17	M002441	INSULATOR
18	M013586	TERMINAL BLOCK
19	M023213	RELAY (110V)
20	M018251	CABLE ENTRY
21	M023089	INSULATION PANEL
22	M023088	BODY
23	M013908	FOOT
24	-----	CONTROL PANEL (refer to section 11.3 / 11.4)
25	M023070	FAN ELEMENT (110V)
26	M023382	BAFFLE RA
27	M023389	BOTTOM BAFFLE
28	M023217	DOOR HINGE
29	M023282	BOTTOM TRIM
30	M023091	GLASS CLAMP ANGLE (Refer to section 11.5 for E25MS door)
31	M023063	INNER GLAS (Refer to section 11.5 for E25MS door)
32	M023062	OUTER GLASS(Refer to section 11.5 for E25MS door)
33	M023228	INNER GLASS SEAL (Refer to section 11.5 for E25MS door)
	M090201P	INNER GLASS SEAL (7' LENGTH)
34	M023230	OUTER GLASS SEAL (Refer to section 11.5 for E25MS door)
35	M004854	DOOR INNER PANEL (Refer to section 11.5 for E25MS door)
36	M023384	BAFFLE PIVOT WA (Refer to section 11.5 for E25MS door)
37	M021468	DOOR HANDLE (Refer to section 11.5 for E25MS door)
38	M023281	TOP TRIM (Refer to section 11.5 for E25MS door)
39	M023090	HANDLE STIFFENER (Refer to section 11.5 for E25MS door)
40	M041410	M8 X 20
41	M023072	GRILL ELEMENT (110V)
42	M003219	ELEMENT SUPPORT
43	M023068	SIDE RACK SCREW
44	M044215	CAGE NUT
45	M023066	SIDE RACK LH
46	M023095	VENT TUBE
47	M023387	BAFFLE SUPPORT
48	M013610	DOOR BUSH
49	M044210	SPIRE CLIP
50	M021637	MICROSWITCH BUTTON
51	M014226	TOP SEAL
52	M023219	HINGE COUNTER BRACKET
53	M023099	SIDE SEAL

11.3.1 CONTROL PANEL ASSEMBLY - E25



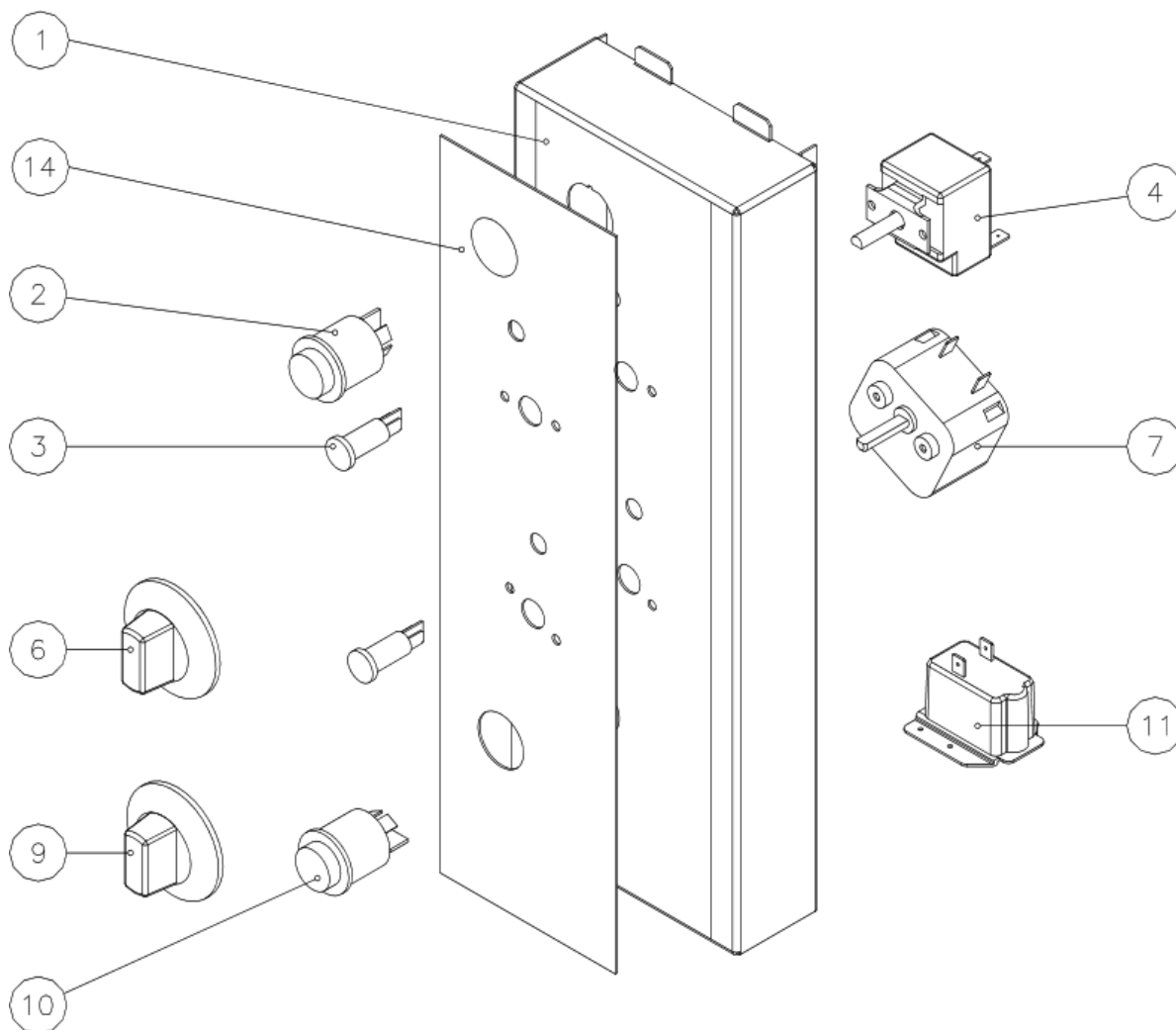
Pos	Part No.	Description
23	M004851	CONTROL PANEL - BAKBAR
	M004880	CONTROL PANEL - BLUE SEAL
	M004850	CONTROL PANEL - MOFFAT
51	M021473	POWER SWITCH – 240V
51	M021514	POWER SWITCH – 110V
52	M020849	NEON INDICATOR - 240V
	M023857	NEON INDICATOR - 110V
53	M021472	KNOB
54	M020823	KNOB
55	M021474	LIGHT SWITCH
56	M011794	BUZZER – 240V
56	M015822	BUZZER – 110V
57	M023212	TIMER - COUPATAN (TO S/N 228661)
	M011760	TIMER - DIEHL (FROM S/N 228662)
58	M023211	THERMOSTAT

11.3.2 CONTROL PANEL ASSEMBLY - E25B (110V ONLY)



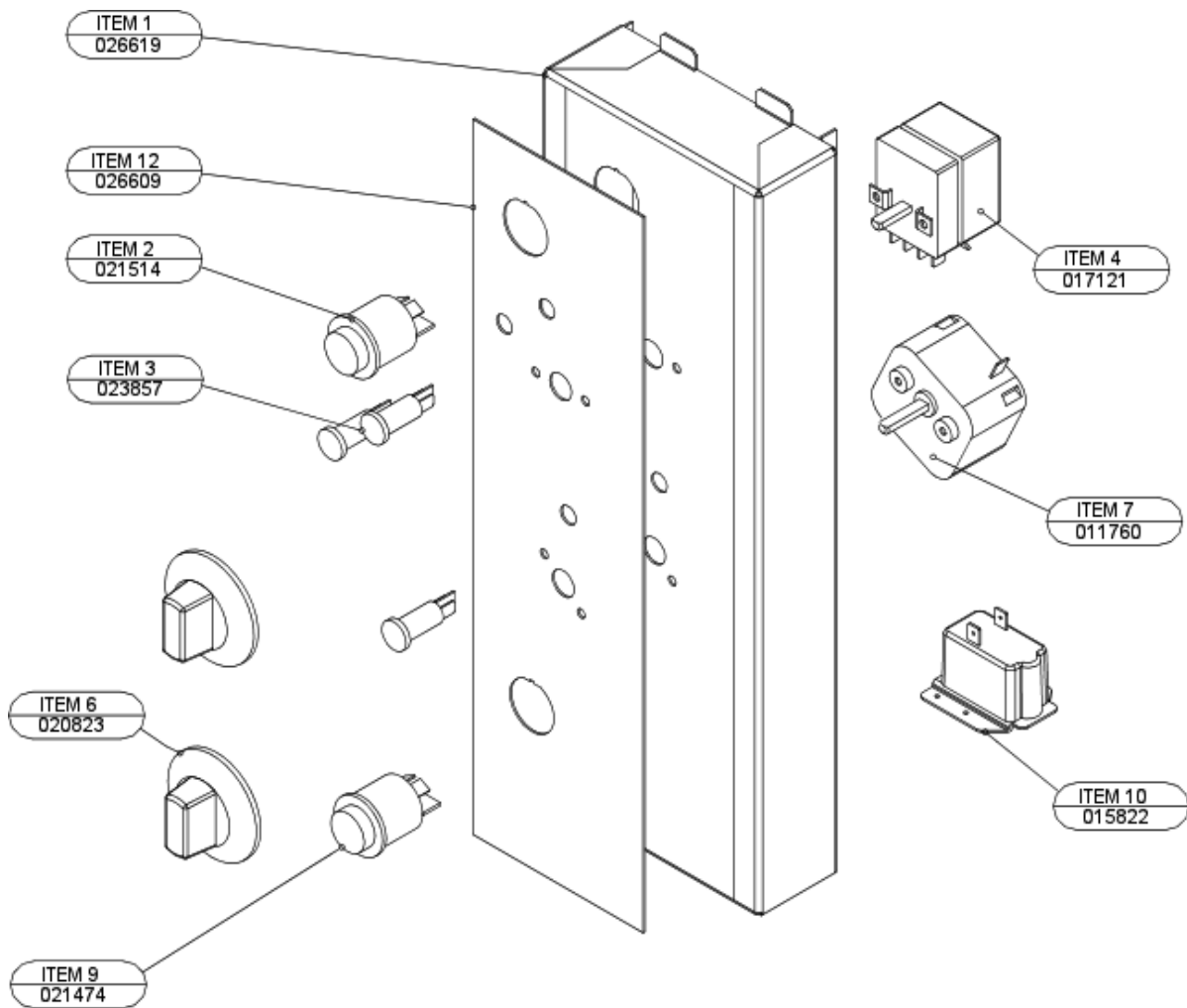
Pos	Part No.	Description
24	M004849	CONTROL PANEL - MOFFAT
54	M021514	POWER SWITCH - 110V
55	M023857	NEON - 110V
56	M020823	KNOB
57	M021474	LIGHT SWITCH
58	M015822	BUZZER - 110V
59	M023212	TIMER - COUPATAN (TO S/N 228661)
	M011760	TIMER - DIEHL (FROM S/N 228662)
60	M017121	THERMOSTAT

11.4.1 CONTROL PANEL ASSEMBLY - E25MS



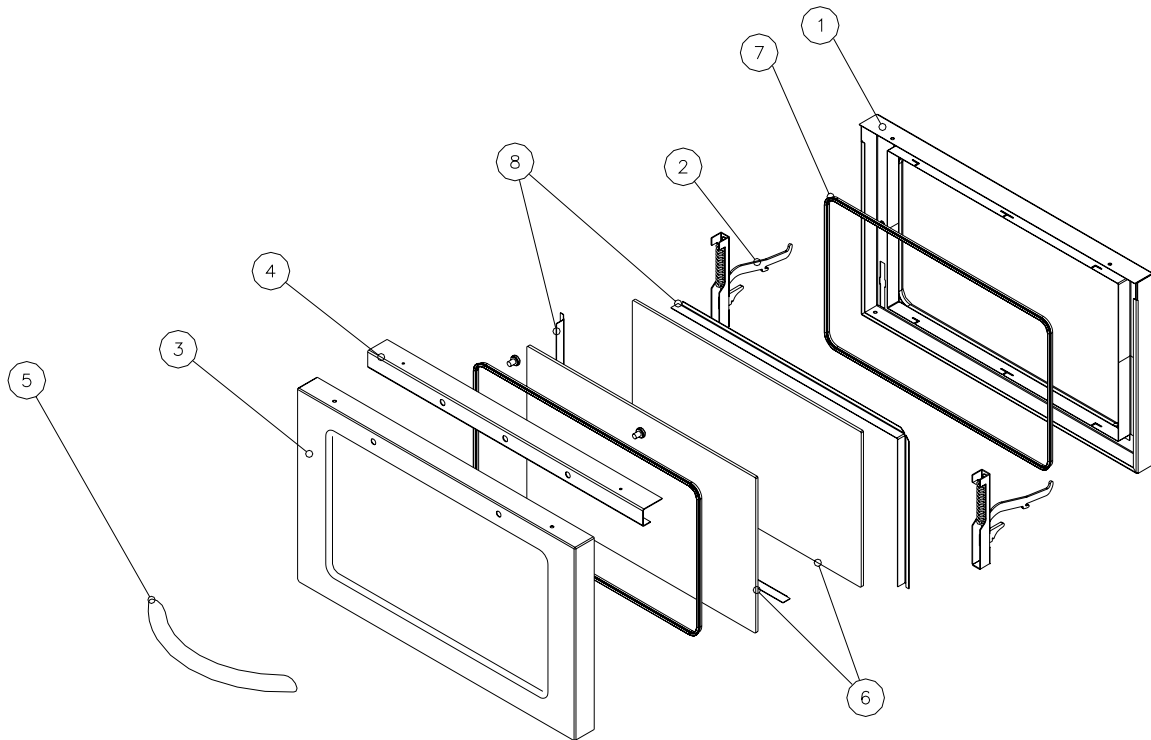
Pos	Part No.	Description
1	M026487	CONTROL PANEL
2	M021514	POWER SWITCH - 110V
	M021473	POWER SWITCH - 240V
3	M023857	NEON - 110V
	M020849	NEON - 240V
4	M023211	THERMOSTAT
6	M021472	THERMOSTAT - KNOB
7	M011760	1 HOUR TIMER
9	M020823	TIMER - KNOB
10	M021474	LIGHT SWITCH
11	M015822	BUZZER 110V
	M011794	BUZZER 240V-
14	M026495	OVERLAY - MOFFAT

11.4.2 CONTROL PANEL ASSEMBLY - E25BMS



Pos	Part No.	Description
1	M026487	CONTROL PANEL
2	M021514	POWER SWITCH - 110V
3	M023857	NEON INDICATOR - 110V
4	M023211	THERMOSTAT
6	M021472	KNOB -THERMOSTAT
7	M011760	1 HOUR TIMER
9	M021474	LIGHT SWITCH
10	M015822	BUZZER - 120
12	M026609	OVERLAY - MOFFAT

11.5 DOOR ASSEMBLY - E25MS



Pos	Part No.	Description
1	M005037	DOOR INNER WA
2	M023217	HINGE
3	M026485	DOOR OUTER PANEL WA
4	M026578	HANDLE STIFFENER
5	M026498	DOOR HANDLE PLATED DOOR
6	M023063	INNER GLASS
7	M023228	INNER GLASS SEAL
	M090201P	INNER GLASS SEAL (7' LENGTH)
8	M026491	GLASS CLAMP ANGLE
	MSA1767	DOOR ASSEMBLY

11. SERVICE CONTACTS

AUSTRALIA

VICTORIA - MOFFAT PTY

HEAD OFFICE AND MAIN WAREHOUSE

740 Springvale Road
Mulgrave VIC 3170
Spare Parts Department

Tel (03) 9518 3888
Fax (03) 9518 3838
Free Call 1800 337 963
Fax (03) 9518 3895

NEW SOUTH WALES - MOFFAT PTY

Unit 3/142 James Ruse Drive
Rosehill NSW 2142
Spare Parts

Tel (02) 8833 4111
Free Call 1800 337 963
Fax (03) 9518 3895

QUEENSLAND - MOFFAT PTY

30 Prosperity Place
Geebung QLD 4034
Spare Parts

Tel (07) 3630 8600
Free Call 1800 337 963
Fax (03) 9518 3895

SOUTH AUSTRALIA - MOFFAT PTY

28 Greenhill Rd
Wayville SA 5034
Spare Parts

Tel (08) 8274 2116
Free Call 1800 337 963
Fax (03) 9518 3895

WESTERN AUSTRALIA - MOFFAT PTY

PO Box 689
Joondalup Business Centre WA 6027
Spare Parts

Tel (08) 9305 8855
Free Call 1800 337 963
Fax (03) 9518 3895

**NATIONAL COVERAGE FOR 24 HOUR SERVICE OR MAINTENANCE DIAL
FREE CALL 1800 622 216 (AUSTRALIA ONLY)**

CANADA

SERVE CANADA
22 Ashwarren Rd
Downview
Ontario M3J1Z5

Tel 416-631-0601
Fax 416-631-0315

NEW ZEALAND

CHRISTCHURCH - MOFFAT LTD

16 Osborne St
PO Box 10-001
Christchurch
Spare Parts

Tel (03) 389 1007
Fax (03) 389 1276
Free Call 0800 MOFFAT
(0800 6633 28)
Fax (03) 381 3616

AUCKLAND - MOFFAT LTD

4 Waipuna Road
Mt Wellington
Auckland
Spare Parts

Tel (09) 574 3150
Fax (09) 574 3159
Free Call 0800 MOFFAT
(0800 66 33 28)

UNITED KINGDOM

BLUESEAL LTD
Units 6-7 Mount St Business Park
Mount St
Birmingham B7 5QU
England

Tel 0121-327 5575
Fax 0121-327 9711

UNITED STATES OF AMERICA

MOFFAT INC.
3765 Champion Blvd
Winston-Salem
NC27115

Tel 1-800-551 8795
Fax 336 661 9546

**NATIONAL COVERAGE FOR SERVICE OR MAINTENANCE DIAL
FREE CALL 1800 551 8795 (USA ONLY)**

APPENDIX A. DOUBLE STACKING KIT (24290)

Kit Includes:

			Part No
1	x	Vent Duct	M024306
1	x	Vent Pipe	M024307
1	x	Saddle Clamp	M010023
1	x	Double Stack Front	M004907
2	x	Double Stack Side	M024303
1	x	Double Stack Rear	M024302
23	x	$\frac{3}{8}$ " x 8A Pozi Pan Hd Screw	M041045
2	x	$\frac{1}{2}$ " x 8 Phillips Head Black Screw	M041046
2	x	Black Fibre Washer	M010329

Assembly Instructions: (THE ELECTRICAL SUPPLY MUST BE DISCONNECTED)

A. Bottom Unit (Refer figure 1)

1. Position vent duct on bottom unit over oven vent. Temporarily locate double stack rear in correct position on top of bottom unit. Centrally locate the vent duct in the cut-out. Check that the oven vent is covered and mark the five hole positions (two down each side of the flue duct and one at front) on the oven wrapper.
2. Drill five $\varnothing 3.5$ mm holes in the oven wrapper where marked.
3. Secure the vent duct to the wrapper with five $\frac{3}{8}$ " x 8A Pozi screws into these holes.
4. Undo the two screws securing the top lintel to the bottom oven, and remove the lintel. Remove the three screws from the top rear of the oven wrapper.

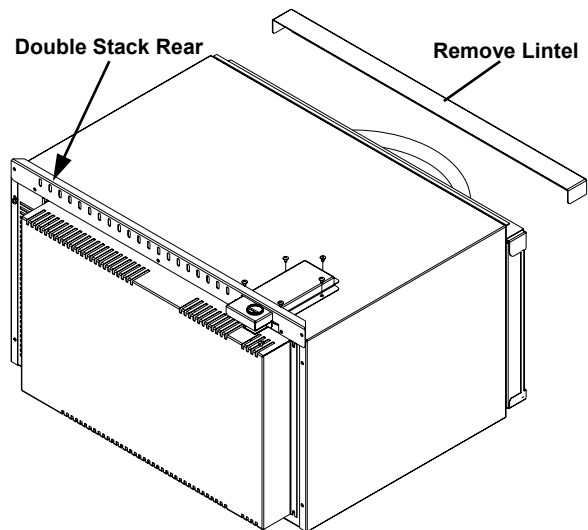


Figure A.1

B. Top Unit

1. Remove all trays and racks from oven. Tip oven upside down and remove the feet screwed into the base.
2. Remove the six screws (three each side) securing the oven wrapper to the sides of the oven. Position the double stack sides flush with the sides and front of the oven, and secure each with three screws.
3. Remove the three screws along the front bottom edge of the oven. Position the double stack front over these three screw holes. Flush the ends of the double stack front with the sides of the unit and secure to the double stack sides using the two black screws (with fibre washers). Secure to bottom of oven with three screws.
4. Secure the double stack rear to the double stack sides with two screws.

C. Stacking the Ovens (Refer figure A.2)

1. With two persons, lift the top oven onto the bottom oven and position slightly forward so that the double stack front engages with the lintel support on the bottom oven, then slide the top oven back until the double stack sides are flush with the sides and rear of the bottom oven.
2. Secure double stack rear to bottom unit with three screws. Secure the double stack front to the lintel support of the bottom unit with two screws.
3. Remove the rear cover panel from the top unit. Fit the vent pipe to the vent duct then secure pipe to the rear panel of the top unit using the saddle clamp and two screws.
(NOTE: for units manufactured before serial number 224323, the mounting holes for the saddle clamp will need to be drilled. Holding the vent pipe vertical, position the saddle clamp over the vent pipe approximately 75 mm below the top of the oven and drill two $\varnothing 3.5\text{mm}$ holes).
4. Using pliers or similar, knock out the notches at the top and bottom of the rear cover panel that allow for the vent pipe. Refit the rear cover panel to the top unit.
(NOTE: For units manufactured before serial number 224323, these notches will have to be cut. Mark a notch 30mm wide by 32mm deep in the appropriate place (refer figure 2 below) at the top and bottom of the cover panel. Hold rear cover panel against rear of top unit and check the position of the marked notches against the vent pipe. Cut out the notches and refit the rear panel.)

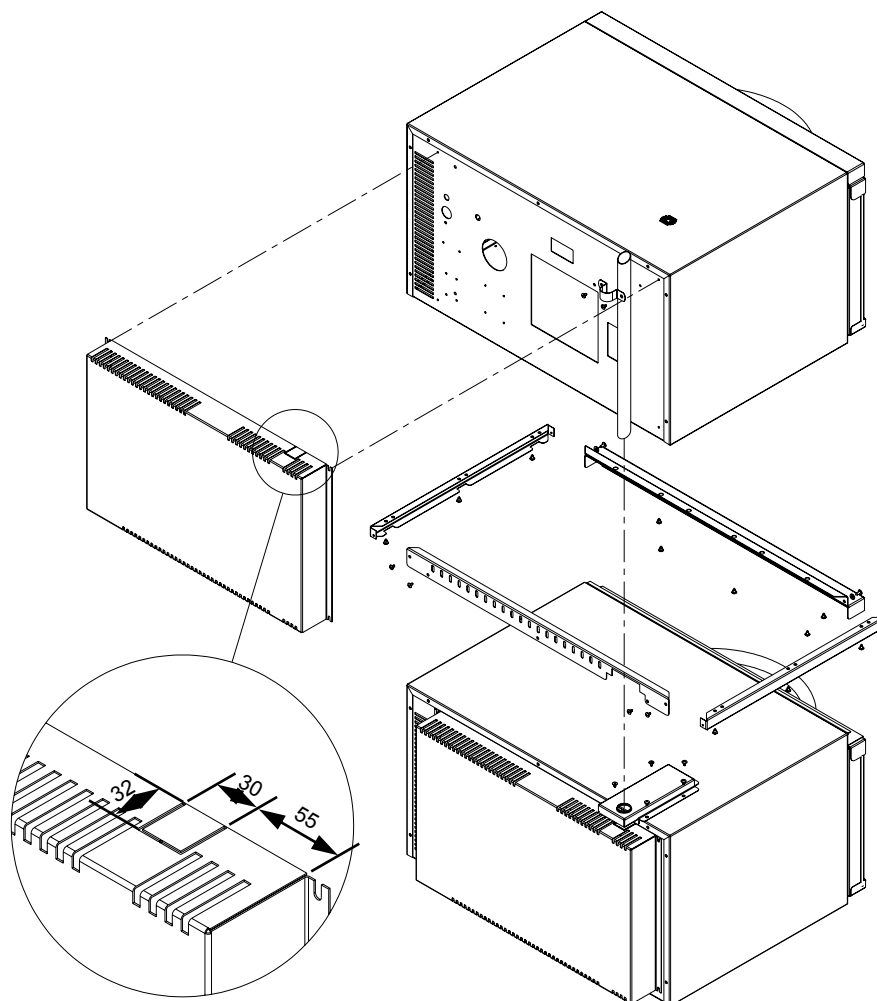


Figure A.2

