



**Ice Machine Parts List for  
Series H300 Floor Ice Dispensers**

**Models**

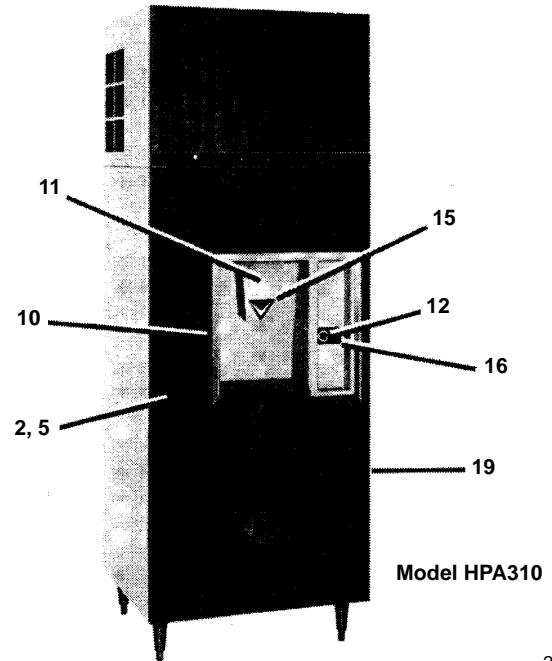
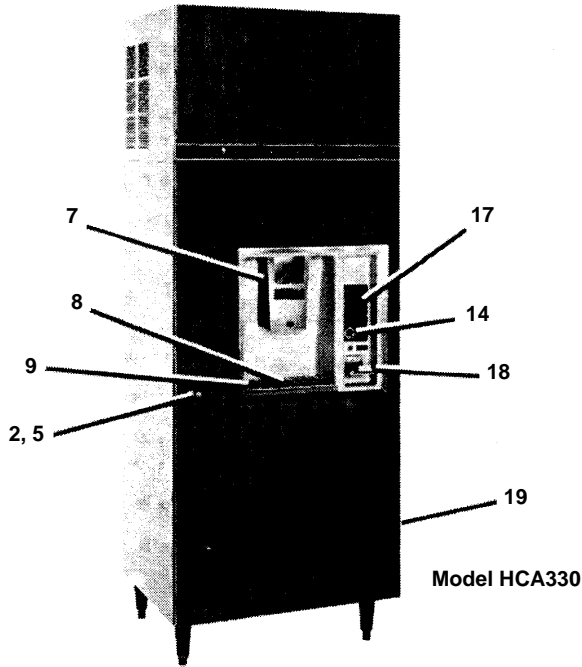
**HPA310**

**HCA330**

**HKA320**

**HRA340**

## HPA310, HKA320 & HCA330



2152

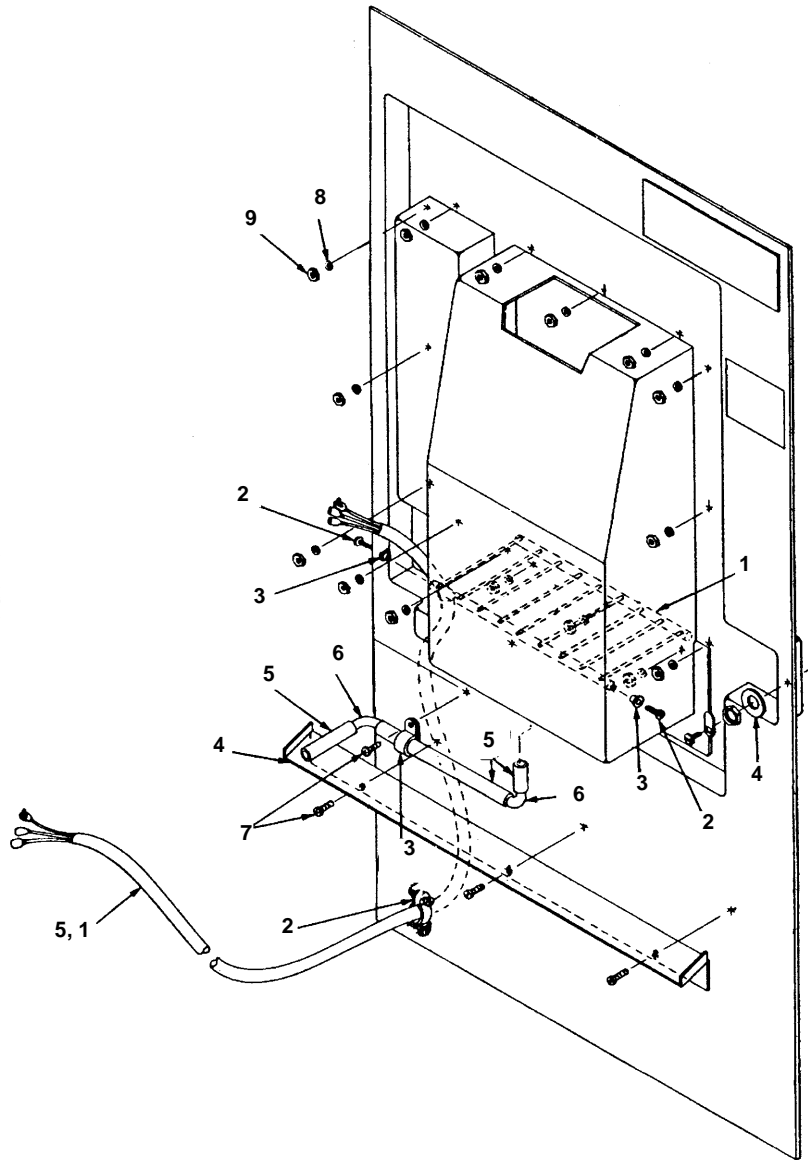
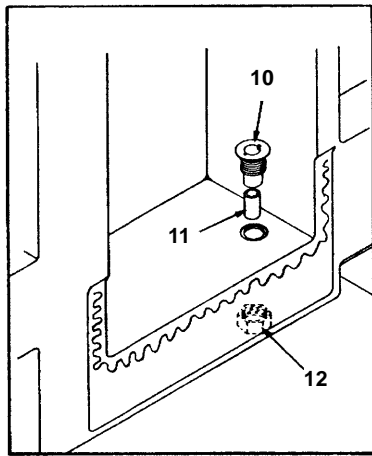
### DESCRIPTION

### PART NO.

1	Main Door Assembly – Push Button – Textured Fawn . . . . .	No Longer Available
	SS Push Button . . . . .	No Longer Available
	Coin Op. 60 Hz – Textured Fawn . . . . .	No Longer Available
	SS Coin Op. 60 Hz . . . . .	No Longer Available
	Coin Op. 50 Hz – Textured Fawn . . . . .	No Longer Available
	SS Coin Op. 50 Hz . . . . .	No Longer Available
2	Door Lock up to SN 890762559 (Must Identify):	
3	Tube Key Type Lock . . . . .	No Longer Available
3a	Flat Key Type Lock . . . . .	3060273
4	Key Only up to SN 890762559 . . . . .	7623793
5	Door Lock – Use After SN 890762560 . . . . .	3060273
6	Key for Lock 3060273 (Flat Style) . . . . .	3060283
6a	Key for Lock 3060263 (Tube Style) . . . . .	3060071
7	Outside Ice Chute w/Window . . . . .	No Longer Available
8	Wire Grill . . . . .	No Longer Available
9	Nylon Shoulder Bushing . . . . .	† 3730169
10	Trim Frame Extrusion . . . . .	No Longer Available
11	Ice Chute Assembly . . . . .	† 7619973
12	Push Button Ice Switch . . . . .	See Page 10 For Detail
13	Key Operated Ice . . . . .	See Page 11 For Detail
14	Coin Operated Ice Switch . . . . .	See Page 12 For Detail
15	Label “PLACE CONTAINER BELOW” . . . . .	No Longer Available
16	Label “PUSH FOR ICE” . . . . .	8131153
17	Label “COIN OPERATION” . . . . .	No Longer Available
18	Coin Chute . . . . .	No Longer Available
19	Hinge . . . . .	No Longer Available

† Refer to Cross Reference Guide

# H300 DOOR INTERIOR



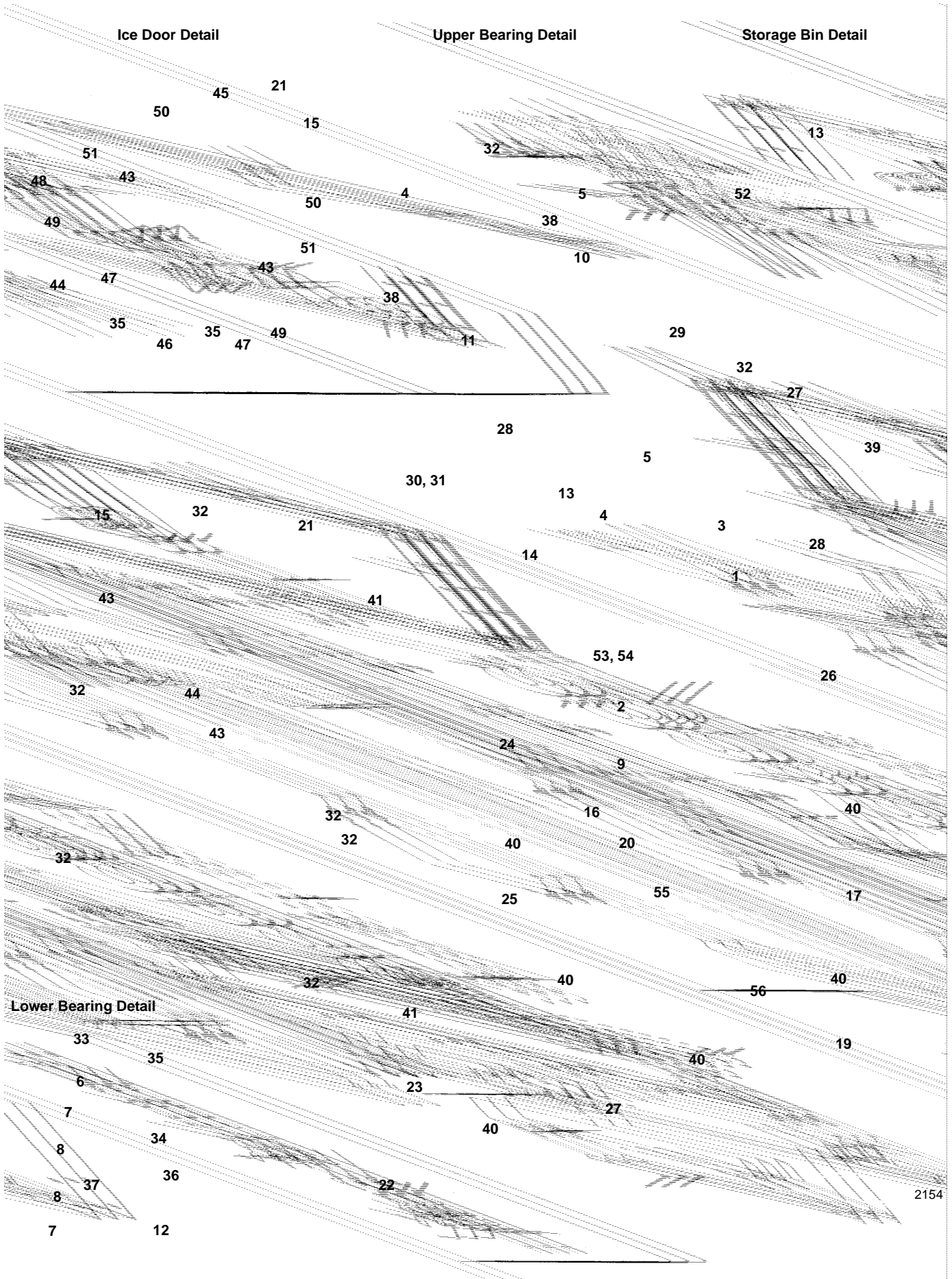
2153

## DESCRIPTION

	DESCRIPTION	PART NO.
1	Wire Grill	No Longer Available
2	Screw, #8 - 32 x 1/2"	† 5026249
3	Shoulder Bushing	† 3730169
4	Washer	No Longer Available
5	Cord Assembly (Push Button & Key)	No Longer Available
1	Cord Assembly (Coin)	No Longer Available
2	Connector	No Longer Available
3	P-Clamp	5650101
4	Condensation Angle	No Longer Available
5	Vinyl Tube 1/2 ID	† 4420333
6	Plated Elbow	No Longer Available
7	Screw, #10-24 x 5/8"	† 5202059
8	Flatwasher #8	† 5504269
9	Hex Nut #8-32	† 5429069
10	Drain Plug	4301301
11	Drain Tube	† 6010011
12	Plastic Nut	4301291

† Refer to Cross Reference Guide

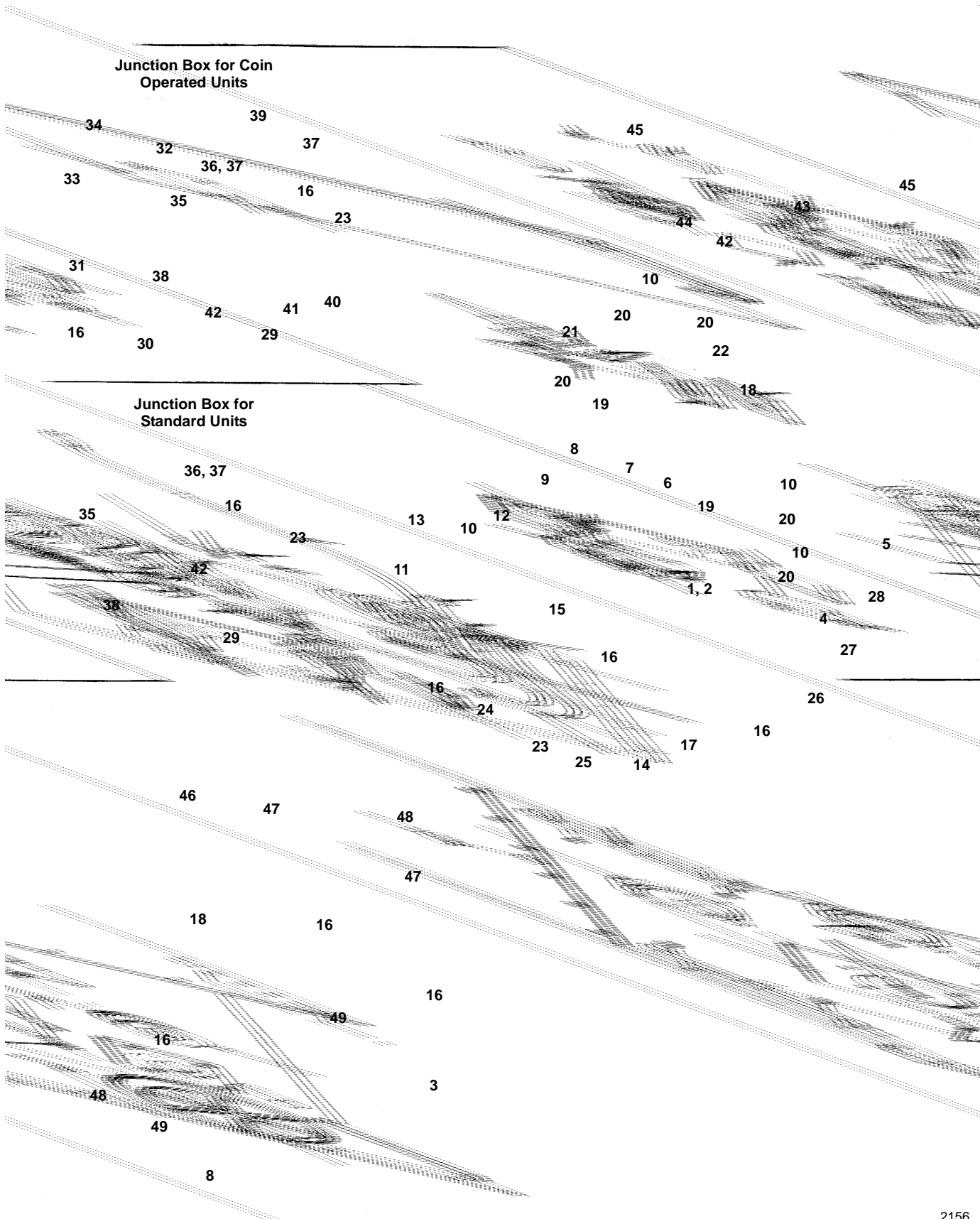
**HPA310, HKA320, HCA330 STORAGE BIN DETAIL**



## HPA310, HKA320, HCA330 STORAGE BIN DETAIL, CONTINUED

DESCRIPTION	PART NO.
1 Agitator Shaft . . . . .	6652414
2 Agitator Auger Flighting 8" O.D. (Uses 5) . . . . .	4301913
3 Upper Bearing Coupling . . . . .	4301683
4 Agitator Bearing . . . . .	4301743
5 Auger Mounting Bracket . . . . .	6644314
6 Lower Bearing Coupling . . . . .	4301693
7 Upper Housing Assembly . . . . .	† 7623373
8 Pin . . . . .	3710323
9 Dispensing Auger Flighting 4" O.D. (Uses 11) . . . . .	5031191
10 Auger Bearing Bracket . . . . .	No Longer Available
11 Auger Bearing . . . . .	4301753
12 Upper Housing Seal (White Neoprene) . . . . .	3718163
13 Deflector . . . . .	† 6660314
14 Upper Liner Bracket . . . . .	No Longer Available
15 Access Door Assembly . . . . .	No Longer Available
16 Left Hand Access Door Mounting Bracket . . . . .	No Longer Available
17 Right Hand Access Door Mounting Bracket . . . . .	No Longer Available
18 Access Door Retainer Bracket . . . . .	No Longer Available
19 Access Door Base Bracket . . . . .	No Longer Available
20 Liner Bottom Funnel . . . . .	No Longer Available
21 Ice Restrictor Bracket . . . . .	6286814
22 Junction Box Cover – Push Button, Key, Card . . . . .	No Longer Available
22a Junction Box Cover – Coin Op . . . . .	No Longer Available
23 Door Shim . . . . .	No Longer Available
24 Latch – Door Lock (After SN 890762560) . . . . .	No Longer Available
Latch – Door Lock (Prior SN 890762559) . . . . .	No Longer Available
25 Left Hand Front Trim . . . . .	No Longer Available
26 Right Hand Front Trim . . . . .	No Longer Available
27 Top Trim . . . . .	No Longer Available
28 Top Side Trim . . . . .	No Longer Available
29 Foam Tape . . . . .	† 9202489
30 Tamper Bracket (Fawn) . . . . .	No Longer Available
31 Tamper Bracket (Stainless Steel) . . . . .	No Longer Available
32 Thumbscrew #8-32 . . . . .	† 5305049
33 Screw, 1/4 – 20 x 1" . . . . .	5033533
34 Screw, 1/4 – 20 x 1/2" . . . . .	† 5032369
35 Flatwasher 9/32 ID x 5/8" . . . . .	† 5573049
36 Lockwasher 1/4 Split . . . . .	† 5545119
37 Cap Screw 1/4 – 20 x 2-1/8" . . . . .	5013253
38 Thumbscrew #8 x 1/2" . . . . .	5012163
39 Screw, #8 x 1/2" Type A . . . . .	No Longer Available
40 Screw, #10-24 x 5/8" Self Tap . . . . .	† 5202059
41 Screw, #8 x 1/2" . . . . .	† 5121539
42 Washer, Agitator Shaft . . . . .	6280214
43 Flatwasher #8 . . . . .	† 5504269
44 Screw, #8-32 x 3/8" . . . . .	† 5025519
45 Cover Support Bracket . . . . .	No Longer Available
46 Ice Chute Cover . . . . .	No Longer Available
47 Ice Door Spacer . . . . .	No Longer Available
48 Ice Door Pivot . . . . .	No Longer Available
49 Hairpin – Cotter . . . . .	† 3712031
50 Screw, #6-32 x 5/16" . . . . .	† 5022379
51 Lockwasher #6 . . . . .	No Longer Available
52 Wingnut #821 with Locking Insert . . . . .	† 5489089
53 Upper Bearing . . . . .	6001531
54 Clevis Pin . . . . .	3712083
55 Dispensing Auger Shaft *IMPORTANT – See Note Below . . . . .	000000168
56 Lower Coupling . . . . .	5031190
*When replacing a fluidized steel auger with plastic auger assembly, the following parts are required:	
Auger Shaft . . . . .	000000168
Upper Bearing . . . . .	6001531
Clevis Pin . . . . .	3712083
Auger Flighting (Uses 11) . . . . .	5031191
Lower Coupling . . . . .	5031190

# HPA310, HKA320, HCA330

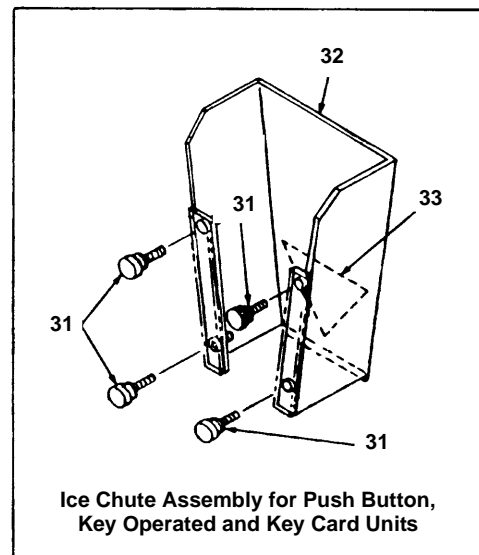
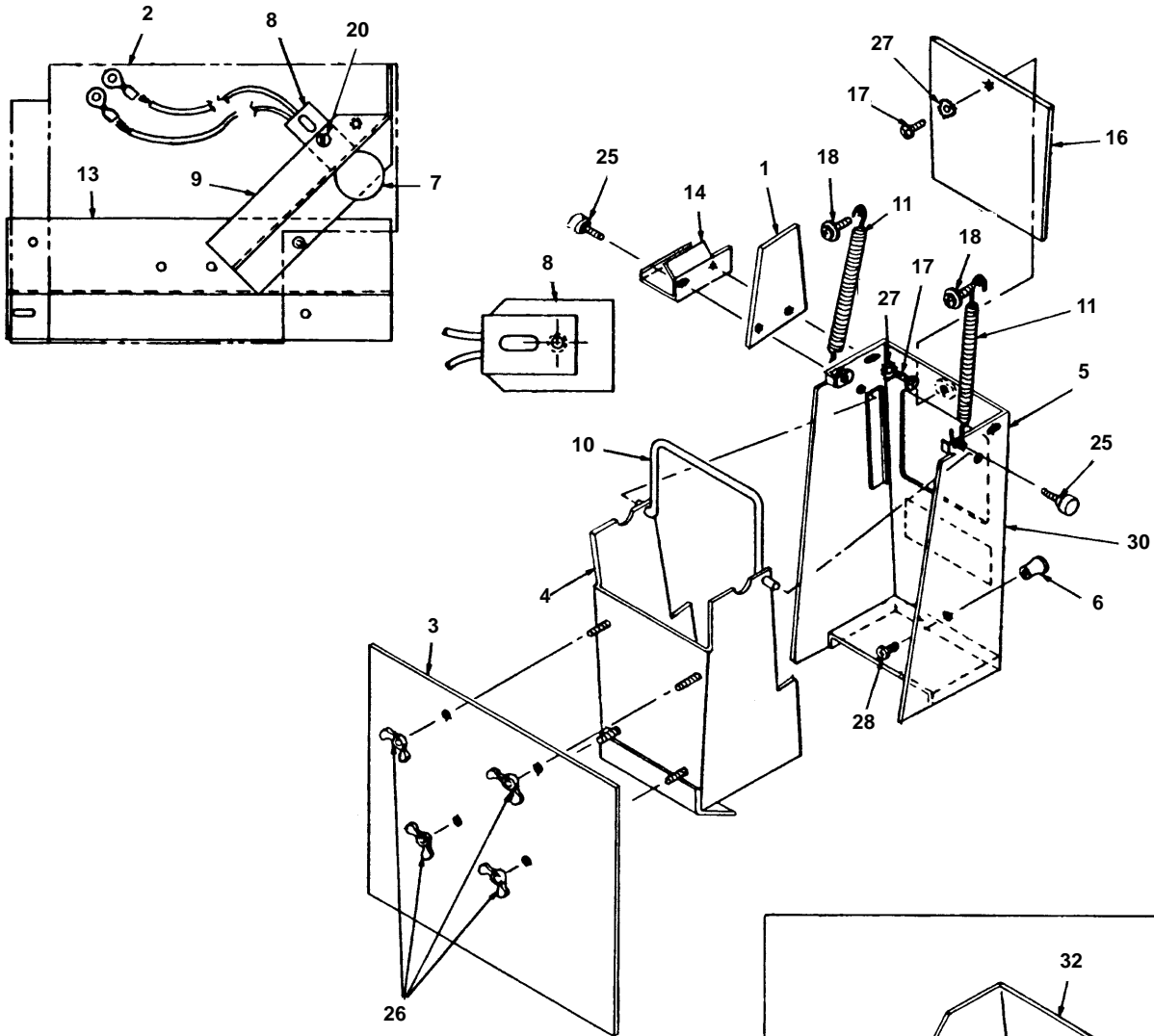


## HPA310, HKA320, HCA330 GEAR DRIVE & MOTOR DETAIL

DESCRIPTION	PART NO.
1 Drive Motor/Gear Reducer Assy., 60 Hz**	† 7626813
2 Drive Motor Only, 60 Hz	7626803
2a Run Capacitor 20 MFD 370V (for Boston Motor)	† 8503413
2b Run Capacitor 60 MFD 370V (for Fasco Motor)	8504493
2c Run Capacitor 40 MFD 370V (for Emerson Motor)	8504343
2d Run Capacitor 50 MFD 240V (for Leeson Motor)	8504813
3 Small Drive Pulley with Flanged Hub	3740123
4 Adapter Mounting Bracket	No Longer Available
5 Supply Cord	2030673
6 Small Drive Pulley with Keyway	3740083
7 Positive Drive Belt	3700213
8 Large Drive Pulley	3740103
9 Tensioner Bracket Spring	No Longer Available
10 Screw, 5/16 – 18 x 5/8" Machine	† 5035659
11 Tensioner Spring	3300163
12 Belt Tightener Wheel	4301723
13 Washer	5573343
14 Belt Tensioner Mounting Bracket	6658414
15 Tensioner Lock Bracket	No Longer Available
16 Screw, #10-24 x 5/8" Self Tap	† 5202059
17 Gear Motor Lock Bracket	6281014
18 Bearing Housing Support Plate	No Longer Available
19 Gear Box Angle Bracket Weldment	No Longer Available
20 Lockwasher, 5/16 Split	† 5573139
21 Hex Nut, 1/4 – 20"	† 5429529
22 Washer, 5/16 Flat	† 5573099
23 Junction Box	No Longer Available
24 Bushing – 7/8"	2501401
25 Vinyl Tube 5/8" ID – 7/8" OD	† 4420383
26 Hose Clamp	† 5650609
27 Drain Fitting Assy	No Longer Available
28 Hole Plug – 1-1/16"	4301923
29 Sinpac Switch (for Boston Motor)	† 7623353
30 Mounting Channel	4408013
31 Mylar Insulator	No Longer Available
32 Terminal Board	No Longer Available
33 Fuse 1/2 Amp	No Longer Available
34 Relay 115V (Mechanical – Only Used on Coin Op)**	No Longer Available
35 Mylar Insulator	No Longer Available
36 Start Capacitor for Baldor Motor 130156 MFD @ 125V Case Size 4/60 Cycle	No Longer Available
36a Start Capacitor for Century Motor 161193 @ 165V/60 Cycle	No Longer Available
36b Start Capacitor For Emerson Motor 189227 MFD @ 165V Case Size 4	No Longer Available
37 Capacitor Mounting Bracket	No Longer Available
37a Capacitor Mounting Bracket (for Leeson Motor)	No Longer Available
37b Dual Delay Timer 115V**	No Longer Available
38 SS Relay 115V/230V	No Longer Available
39 Screw, #8-32 x 1-1/4" Machine	5026679
40 Hex Nut #8-32	† 5429069
41 Groundscrew #10-32	† 5027019
42 Screw #8 x 1/2" Type B	† 5124649
43 Lower Rear Access Panel	No Longer Available
44 Cover, Soda Line Entrance	No Longer Available
45 Screw – Access Panel #8 – 3/4"	† 5124659
46 Hole Plug 7/8"	4301463
47 Lower Bearing Housing Assy	7623143
48 Mounting Bracket – Lower Rear Access Panel	No Longer Available
49 Roll Pin	† 3712049

\*\*See Page 15 for 230V parts.

# ICE CHUTE DETAIL



Ice Chute Assembly for Push Button,  
Key Operated and Key Card Units

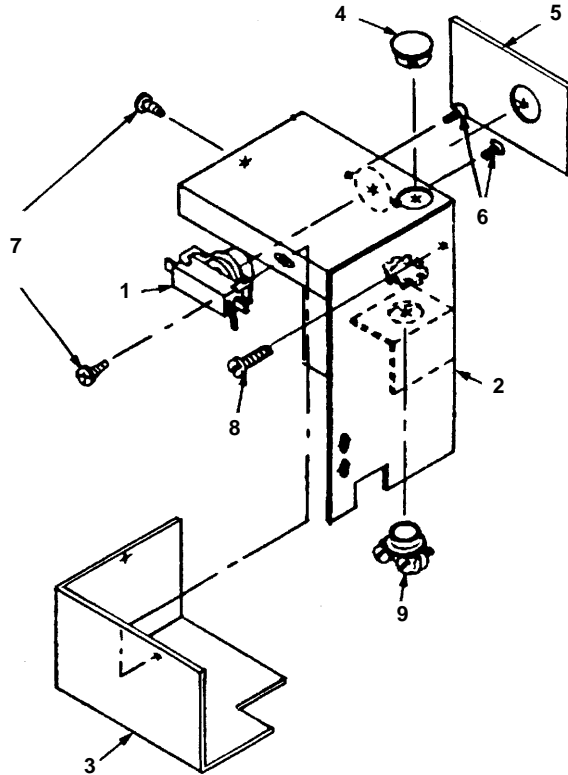


## ICE CHUTE DETAIL, CONTINUED

DESCRIPTION	PART NO.
1 Bulb Shield . . . . .	No Longer Available
2 Chute Switch Cover . . . . .	No Longer Available
3 Chute Stabilizer Plate . . . . .	No Longer Available
4 Inside Ice Chute . . . . .	No Longer Available
5 Outside Ice Chute . . . . .	No Longer Available
6 Knob . . . . .	5305073
7 Lamp – 120V* . . . . .	No Longer Available
8 Lamp Holder . . . . .	No Longer Available
9 Lamp Holder Bracket . . . . .	No Longer Available
10 Retainer Bar . . . . .	No Longer Available
11 Spring . . . . .	No Longer Available
12 Switch . . . . .	2301183
13 Switch Mounting Bracket . . . . .	No Longer Available
14 Switch Bracket . . . . .	No Longer Available
15 Tamper Proof Bracket . . . . .	No Longer Available
16 Window . . . . .	No Longer Available
17 Machine Screw, #8-32 x 1/2" . . . . .	† 5026249
18 Self Tapping Screw, #10-24 x 5/8" . . . . .	† 5202079
19 Screw, #532 x 7/8" Brass . . . . .	No Longer Available
20 Slot Head Screw, #10-32 x 3/16" . . . . .	No Longer Available
21 S1 Pan Head Machine Screw, #6-32 x 5/16" . . . . .	† 5022379
22 Hex Nut #8-32 . . . . .	† 5429069
23 Flatwasher, #8 . . . . .	† 5504269
24 #6 Lockwasher . . . . .	No Longer Available
25 Thumbscrew, #8-32 x 9/16" . . . . .	† 5305049
26 Wingnuts, #8-32 . . . . .	† 5489139
27 Lockwasher, External Tooth - #8 . . . . .	† 5544079
28 Machine Screw, #10-32 x 3/8" . . . . .	No Longer Available
29 Insulator . . . . .	No Longer Available
30 Label, "ICE CHUTE" . . . . .	8131883
31 Thumbscrew . . . . .	† 5000013
32 Ice Chute . . . . .	† 7619973
33 Label, "PLACE CONTAINER BELOW" . . . . .	No Longer Available

\* For 230V parts, see Page 15.

# HPA310 PUSH BUTTON ICE SWITCH



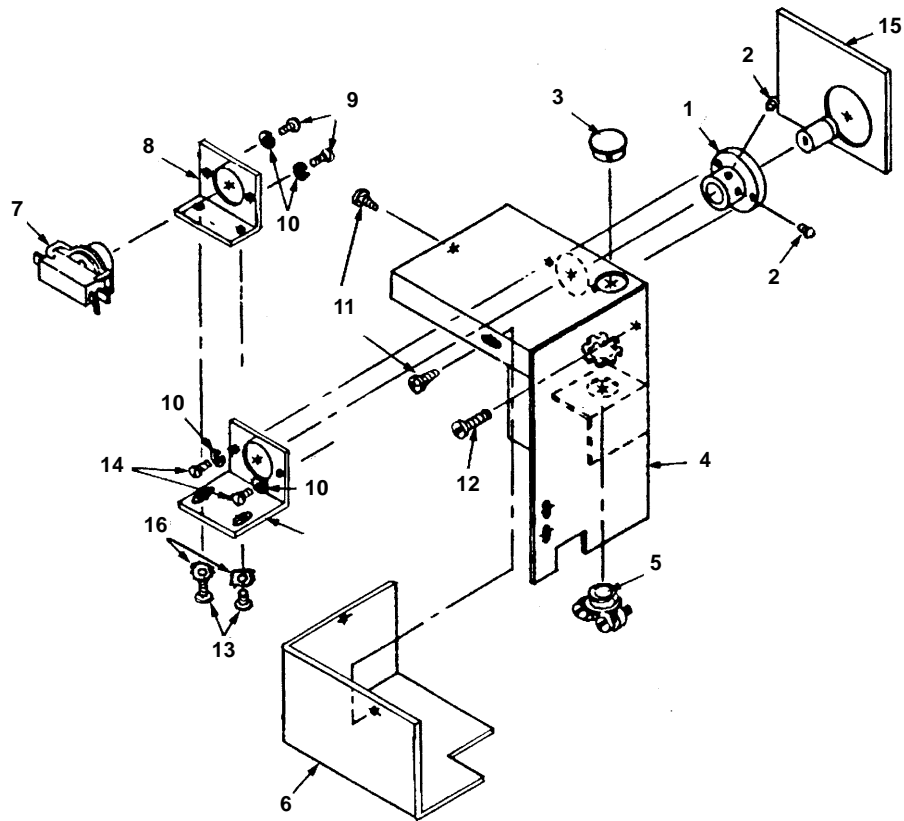
2160

Ice Button Box Assembly for  
Push Button Units

## DESCRIPTION

	<b>PART NO.</b>
1 Push Button Switch.....	† 2301063
2 Ice Button Box Weldment.....	No Longer Available
3 Ice Button Cover.....	No Longer Available
4 Hole Plug – 7/8”.....	4301463
5 Label – Push for Ice.....	8131153
6 Screw, #6-32 x 3/8” Flat Head Machine.....	† 5022409
7 Screw, #8 x 1/2”.....	† 5124649
8 Screw, #10-32.....	† 5027019
9 Connector.....	No Longer Available

# HKA320 KEY OPERATED ICE SWITCH DETAIL



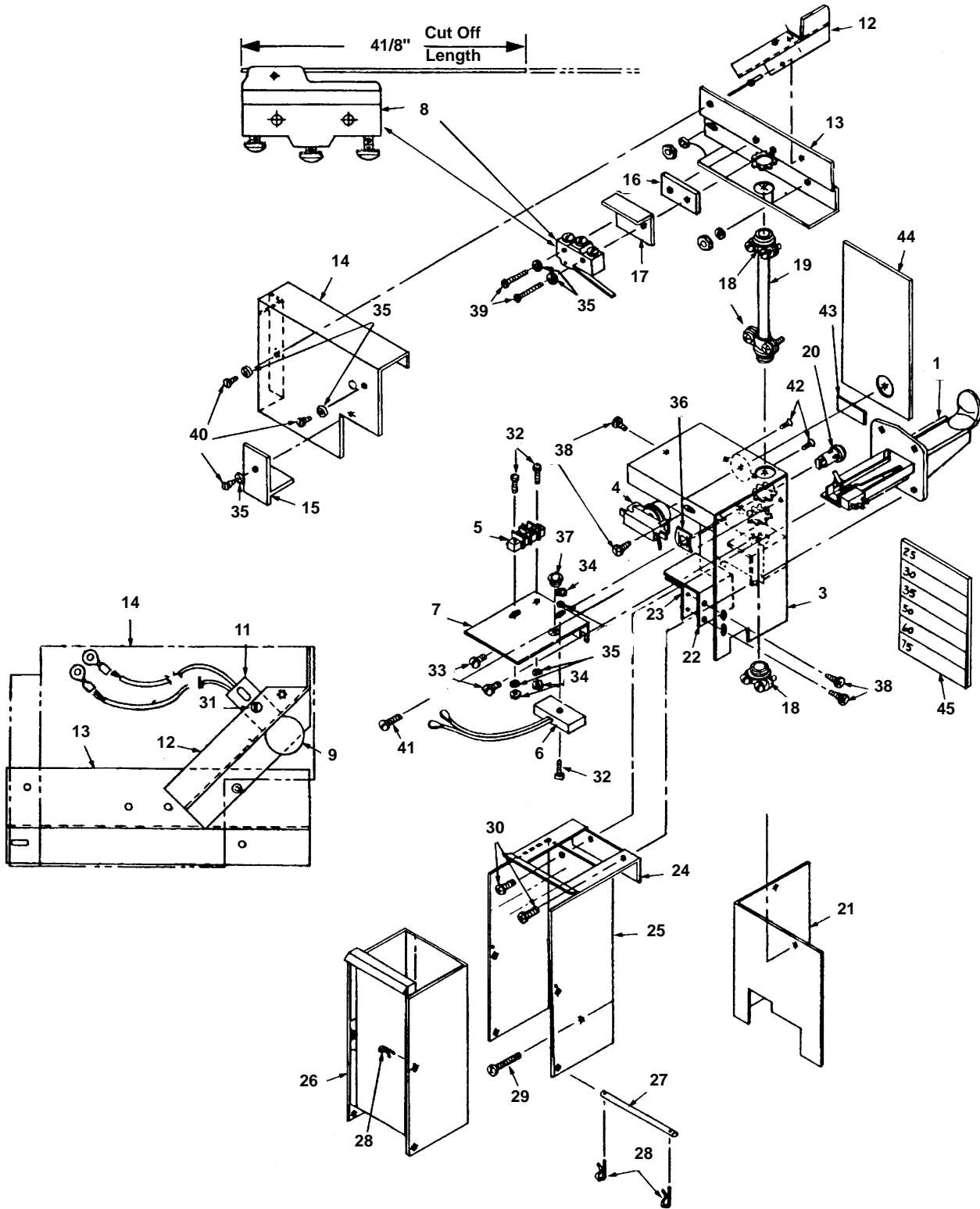
2161

**Ice Button Box Assembly for  
Key Operated Units**

DESCRIPTION	PART NO.
1 Room Key Cylinder . . . . .	No Longer Available
2 Screw, 1/4 – 20 x 3/4" Set . . . . .	No Longer Available
3 Hole Plug – 7/8" . . . . .	4301463
4 Ice Button Box Weldment. . . . .	No Longer Available
5 Connector. . . . .	No Longer Available
6 Ice Button Cover . . . . .	No Longer Available
Key Cylinder Bracket . . . . .	No Longer Available
7 Push Button Switch . . . . .	† 2301063
8 Switch Mounting Bracket . . . . .	No Longer Available
9 Screw, 6-32 x 5/16" Slot Pan Head . . . . .	† 5022379
10 Lockwasher, #8 Split Pins . . . . .	† 5544609
11 Screw, #8 x 1/2" . . . . .	† 5124649
12 Groundscrew #10-32 . . . . .	† 5027019
13 Screw, #8-32 x 3/8" Phil. Head. . . . .	† 5025519
14 Screw, #6-32 x 3/8" Slot Pan Head . . . . .	† 5022419
15 Label, Insert Room Key . . . . .	No Longer Available
16 Lockwashers . . . . .	† 5544079

† Refer to Cross Reference Guide

# HCA330 COIN OPERATED ICE SWITCH DETAIL



2162

## HCA330 COIN OPERATED ICE SWITCH DETAIL, CONTINUED

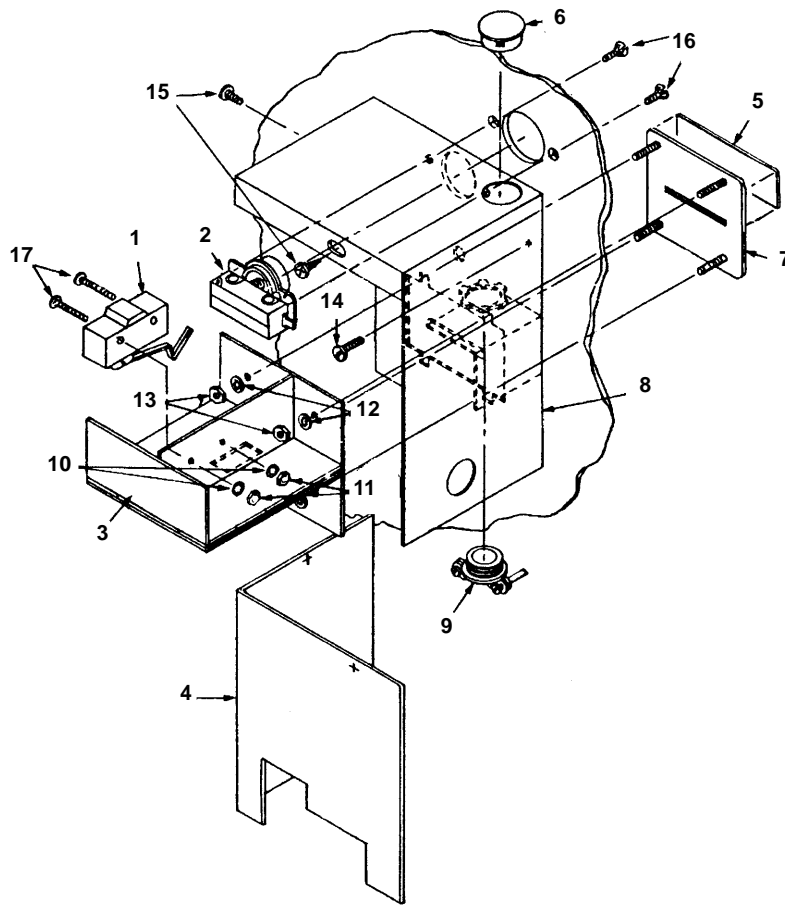
DESCRIPTION	PART NO.
1 Coin Chute, 25 Cent or Token . . . . .	No Longer Available
2 Coin Chute 50 Cent . . . . .	No Longer Available
3 Ice Button Box Weldment. . . . .	No Longer Available
4 Push Button Switch . . . . .	† 2301063
5 Terminal Block . . . . .	No Longer Available
6 Heater – 115V* . . . . .	2202113
7 Heater Bracket . . . . .	No Longer Available
8 Microswitch . . . . .	2301183
9 Incandescent Lamp 60 Hz . . . . .	No Longer Available
10 Incandescent Lamp 50 Hz . . . . .	No Longer Available
11 Lamp Holder. . . . .	No Longer Available
12 Lamp Holder Bracket . . . . .	No Longer Available
13 Microswitch Bracket . . . . .	No Longer Available
14 Chute Switch Cover . . . . .	No Longer Available
15 Tamper Proof Bracket . . . . .	No Longer Available
16 Microswitch Spacer . . . . .	No Longer Available
17 Insulator . . . . .	No Longer Available
18 Connector. . . . .	No Longer Available
19 Cord Assembly. . . . .	No Longer Available
20 Indicator Light – 125V . . . . .	No Longer Available
21 Ice Button Box Cover . . . . .	No Longer Available
22 Fish Paper . . . . .	No Longer Available
23 Switch Guard . . . . .	No Longer Available
24 Tamper Cover. . . . .	No Longer Available
25 Coin Box Enclosure . . . . .	No Longer Available
26 Coin Box Weldment . . . . .	No Longer Available
27 Coin Box Pivot . . . . .	No Longer Available
28 Hairpin (Cotter). . . . .	† 3712031
29 Screw, #10-32 x 1" . . . . .	No Longer Available
30 Screw, #10-32 x 1/2" . . . . .	No Longer Available
31 Screw, #10-32 x 3/16" . . . . .	No Longer Available
32 Screw, #6-32 x 5/8" . . . . .	† 5022399
33 Screw, #10-32 x 3/8" . . . . .	No Longer Available
34 Hex Nut, #6-32" . . . . .	No Longer Available
35 Lockwasher #6. . . . .	No Longer Available
36 Speed Nut . . . . .	† 5475049
37 Bushing . . . . .	2500031
38 Screw, #8-1/2" . . . . .	† 5124649
39 Screw, #6-32 x 1-1/4" . . . . .	No Longer Available
40 Screw, #6-32 x 5/16" . . . . .	† 5022379
41 Ground Screw . . . . .	† 5027019
42 Screw, #6-32 x 3/8" . . . . .	† 5022409
43 Label, Empty Light . . . . .	No Longer Available
44 Label, "NO ICE" . . . . .	8131873
45 Label, Coin Designation. . . . .	No Longer Available
46 Toggle Switch for Coin Chute. . . . .	No Longer Available

\* 230V parts, see Page 15.

---

† Refer to Cross Reference Guide

## HRA340 KEY CARD DETAIL



2164

### DESCRIPTION

	<b>PART NO.</b>
1 Access Switch . . . . .	6270314
2 Push Button Switch . . . . .	† 2301063
3 Access Switch Bracket . . . . .	6640514
4 Ice Button Box Cover . . . . .	No Longer Available
5 Label, Insert Room Key . . . . .	No Longer Available
6 Hole Plug, 7/8" . . . . .	4301463
7 Key Card Access Plate . . . . .	No Longer Available
8 Ice Button Box Weldment . . . . .	No Longer Available
9 Connector . . . . .	No Longer Available
10 Lockwasher, #6 . . . . .	No Longer Available
11 Hexnut #6-32 . . . . .	No Longer Available
12 Lockwasher, #8 . . . . .	† 5544599
13 Hexnut, #8-32 . . . . .	† 5429069
14 Ground Screw, #10-32 . . . . .	† 5027019
15 Screw, #8-1/2" . . . . .	† 5124649
16 Screw, #6-32 x 3/8" . . . . .	† 5022409
17 Screw, #6-32 x 1" . . . . .	No Longer Available

† Refer to Cross Reference Guide

## H300 DISPENSER – 230V PARTS LIST

All parts are the same as 60 Hz Model with the following exceptions:

DESCRIPTION	PART NO.
Drive Motor/Gear Reducer Assembly . . . . .	† 7626833
Drive Motor Only . . . . .	7626823
Mechanical Relay (Used Only on Coin-Op) . . . . .	2408103
Dual Delay Timer 230V . . . . .	No Longer Available
Indicator Lamp . . . . .	No Longer Available
Heater 230V . . . . .	No Longer Available
Run Capacitor 20 MFD 370V . . . . .	† 8503413

**INTENTIONALLY LEFT BLANK**