



FOOD EQUIPMENT

Operating and Maintenance Instructions

Model: 6009 Infra-red Bulb Warmer Available With 2,3,4,5 or 6 Bulbs

INTRODUCTION

1. Please read instructions before using this appliance.
2. When using electrical appliances, basic precautions should always be followed to reduce the risk of fire, electric shock and injury.
3. Clean machine thoroughly before and after all uses following cleaning instructions below.

ELECTRICAL REQUIREMENTS

1. Plug warmer into a grounded outlet with correct voltage and sufficient power capacity. Refer to the product label (serial plate) on the warmer for voltage and wattage requirements.

SAFETY INSTRUCTIONS

1. **Warning!** All power must be disconnected at power source before any service procedure is performed.
2. This appliance is hot when in use. To avoid burns, do not let bare skin touch hot surfaces. Keep combustible materials, such as drapes and other furnishings, away from appliance.
3. Extreme caution is necessary when any appliance is used by or near children and whenever the appliance is left unattended.
4. Always unplug appliance when not in use and before cleaning, adjusting or maintaining this machine. To disconnect appliance, turn controls off and remove plug from outlet.
5. Do not operate any appliance with a damaged cord or plug, after the appliance malfunctions, has been dropped, or damaged. Return appliance to an authorized service facility for examination, electrical or mechanical adjustment, or repair.
6. Do not use outdoors. This appliance is not intended for use in wet or moist locations. Never locate appliance where it may fall into water.
7. Connect to properly grounded outlets only. Avoid the use of extension cords. Do not run cord under carpeting, runners, or the like. Arrange cord away from traffic area and where it will not be tripped over.
8. To prevent a possible fire, we recommend that the unit be placed on a non-combustible surface.
9. This appliance has electrical parts. Do not use it in areas where gasoline, paint, or flammable liquids are used or stored.

PREPARATION

1. Place warmer on TUBE STAND and tighten THUMB SCREW.
2. NOTE: Two SCREWS must be installed in the base for UL approval. The SCREWS have been stapled to the instruction sheet. This warmer is supplied with a UL TRAY and must be used for UL operation.
3. Set warmer on a flat, stable surface near the power outlet.
4. Screw BULBS into the sockets. Note: Bulbs in multi-bulb warmers should be the same (clear or red).
5. This unit radiates heat when in use therefore we recommend that the unit be placed on a non-combustible surface.
6. If warmer fails to work properly when first operated call NEMCO customer service at 1-800-782-6761.

OPERATION

1. Plug warmer into a grounded outlet and turn SWITCHES on.
2. Place food products in a pan, located directly under the BULBS for best results.
3. Turn warmer off when not in use.
4. Unplug the warmer before changing bulbs. To disconnect appliance, turn SWITCHES off and remove plug from outlet.

CLEANING

NOTE: Proper maintenance plays an important part in the life span and functioning of the warmer.

1. Unplug the power cord.
2. This warmer can be cleaned with a damp sponge and mild soap. Do not immerse in water or other liquid.

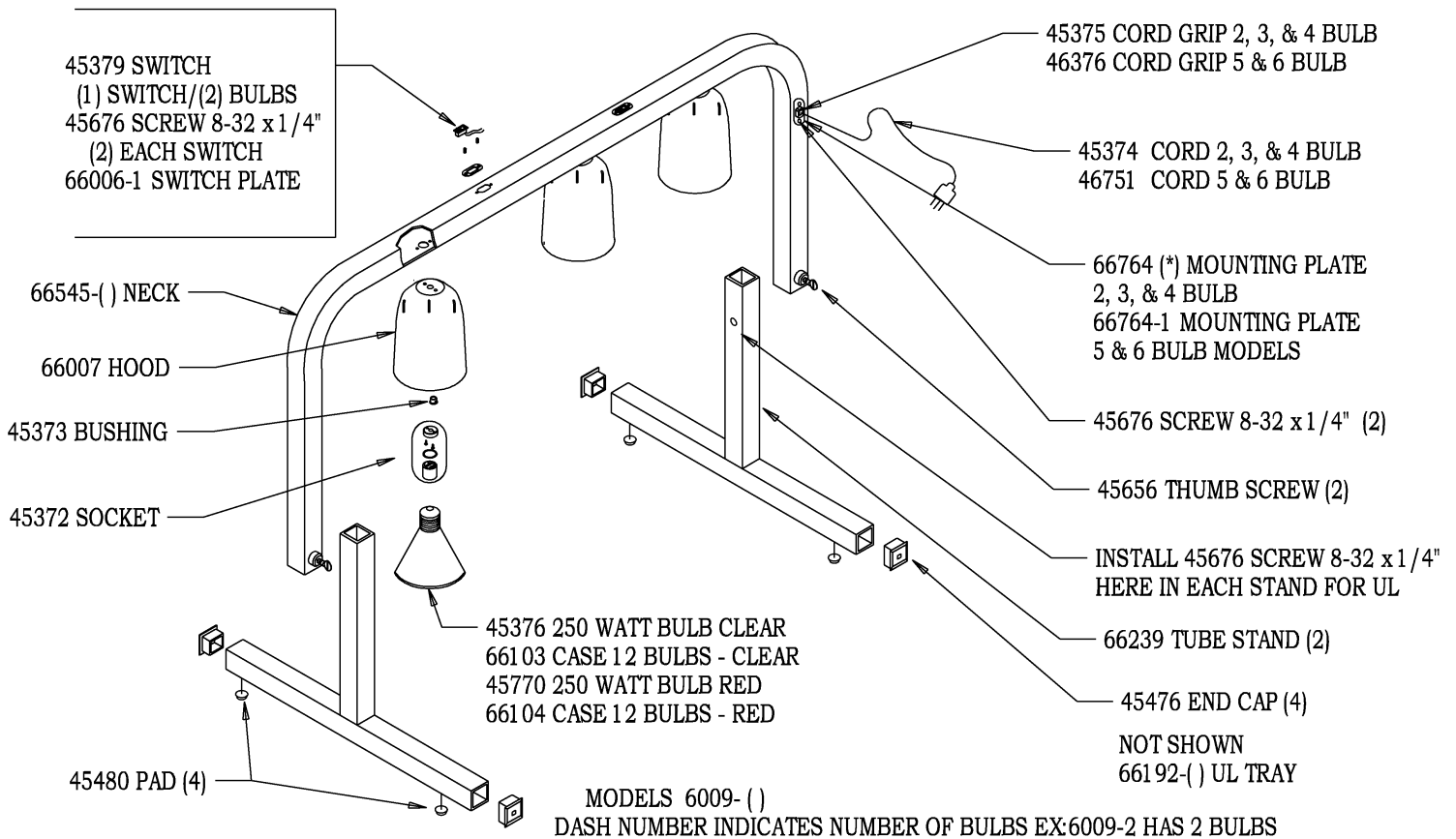
TROUBLESHOOTING

Lights not On	Check if unit is plugged in and power switches are turned to "ON" position
	Check power at receptacle
	Check if Bulb has blown
Loose Sockets	Turn off power and check if socket is loose or broken. Remove light bulb and tighten socket screws as necessary.
Loose Hoods	Turn off power and check if hood is loose. Remove light bulb and tighten hood screws as necessary.
Unit Blows Fuse or Circuit Breaker	Check to make sure circuit is not overloaded.

Service Part List

Model: 6009

Infra-red Bulb Warmer, Available With 2,3,4,5 or 6 Bulbs



NEMCO FOOD EQUIPMENT 301 Meuse Argonne, Hicksville, OH 43526
 Phone: (419) 542-7751 Fax: (419) 542-6690 Toll free: 1-800-782-6761
www.nemcofoodequip.com

