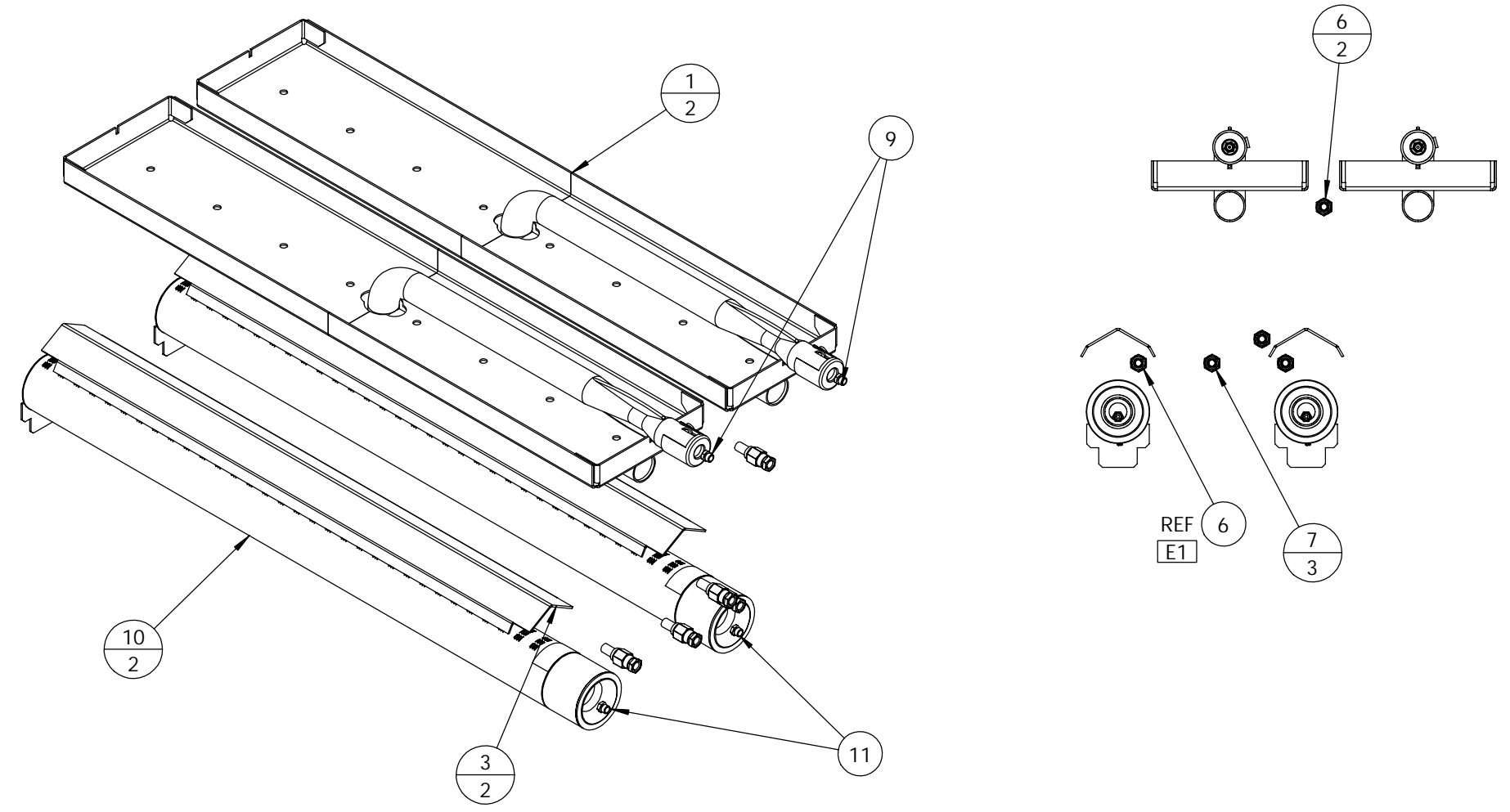


REVISIONS				
ZONE	REV.	DESCRIPTION	DATE	APPROVED
	A	INITIAL RELEASE	4-22-03	DC
	B	CORRECTED ORIFICE P/N	6-3-03	-
	C	REPLACED 13942 WITH 14240	2-12-04	VS
	D	1-REPLACED ITEMS 4 & 5 WITH ITEM 11	10-26-04	DC
4B P/L	E	1- REPLACED ITEM 8 WITH ITEM 6 2- ITEM 6 WAS QTY = 1 IS QTY = 2	6-08-05	DI



QTY.	PART NO.	DESCRIPTION	ITEM NO.
2	2070-40	ORIFICE, BURNER, #40	11
2	14240	BURNER, CONVECTION - Ø2 OD X 23-1/4" - WLDMT	10
2	2015	ORIFICE, BURNER, #48	9
4	2018	ORIFICE, PILOT, NAT GAS (3223)	8
3	2183	ORIFICE, PILOT, LP (3215)	7
2	2182	ORIFICE, PILOT (3225)	6
4	2054	ORIFICE, BURNER, #46	5
4	2064	ORIFICE, BURNER, #36	4
2	14017	SHIELD, BURNER, 24.5" FRAME	3
2	13942	BURNER, CONVECTION, Ø2 OD X 25" - WLDMT	2
2	13824	BURNER, GOOSENECK TUBE, 23.5" - WLDMT	1

UNLESS OTHERWISE SPECIFIED DIMS ARE IN INCHES		DATE	NAME		<small>(707) 284-7100 (707) 284-7430 FAX WINDSOR, CA 95492-8594</small>	<small>THIS DOCUMENT IS THE PROPERTY OF NIECO CORPORATION. REPRODUCTION OR RELEASE WITHOUT EXPRESS PERMISSION IS PROHIBITED.</small>
TOLERANCES: FRACTIONAL ±1/32 ANGULAR: ±1° TWO PLACE DECIMAL ±.02 THREE PLACE DECIMAL ±.01		DRAWN	6-4-03			
MATERIAL SEE PARTS LIST		CHECKED	-	-	SIZE B	DWG. NO. 13955
TITLE: NATURAL GAS INSTALLATION, N1535G		FINISH		-	REV E	
14197 SIMILAR TO		90071 USED ON		SCALE: 1:8		WEIGHT: 15.11
APPLICATION				SHEET 1 OF 1		

8 7 6 5 4 3 2 1

D

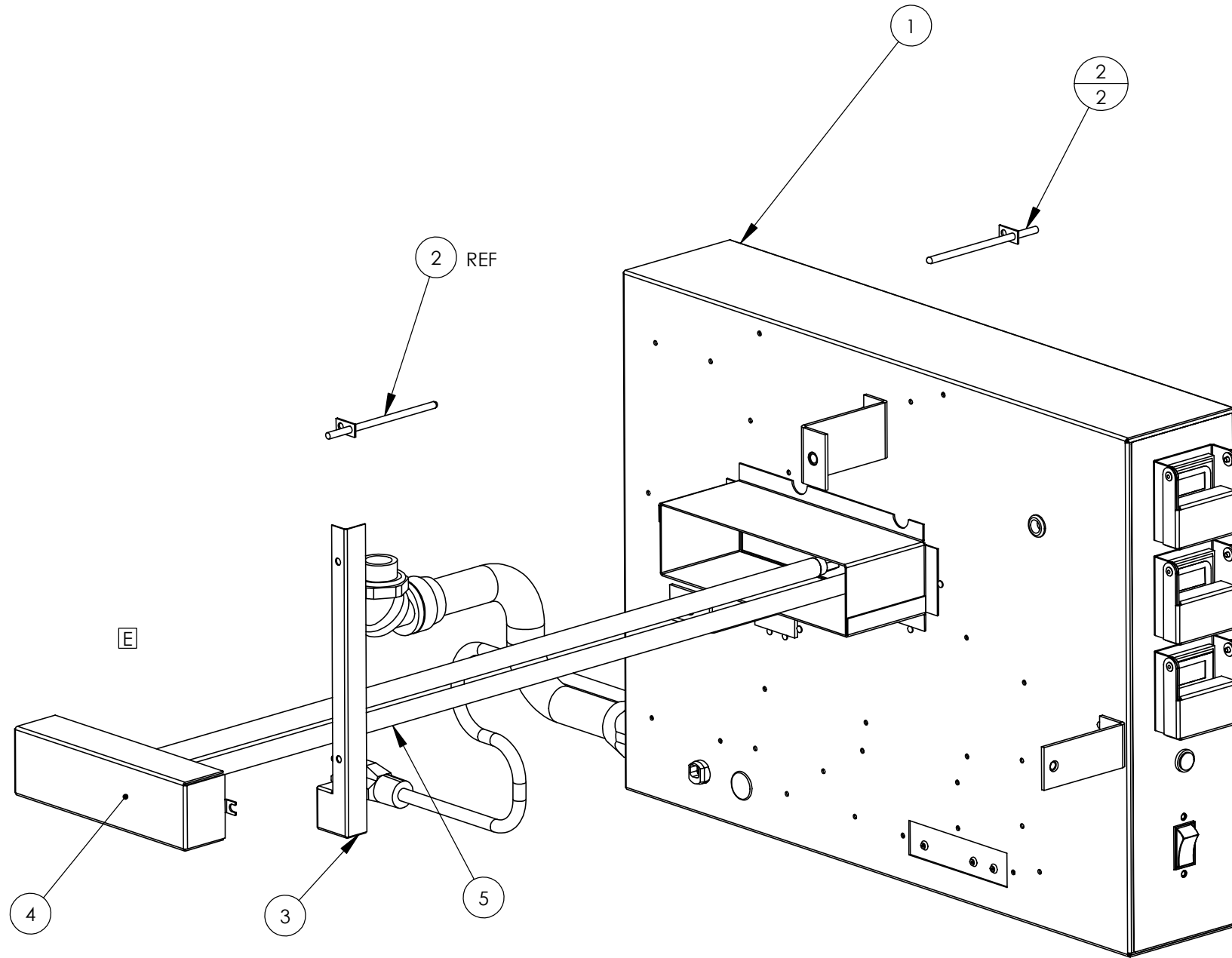
C

B

A


8 7 6 5 4 3 2 1

REVISIONS				
ZONE	REV.	DESCRIPTION	DATE	APPROVED
	A	INITIAL RELEASE	4/23/03	DC
	B	ITEM 6 WAS P/N 5670 IS 5820		
	C	DELETED P/N 5820 AND SH2	6/10/03	PB
	D	UPDATED ITEM 1 TO LATEST REV UPDATED DWG FORMAT	10/2/03	PB
8B	E	DELETED ITEM 6 (P/N 14013) & ITEM 7 (P/N 13738) PER ECR 70	4/21/04	DI
	F	ITEM 2 REPLACED. WAS P/N 12739	8-12-04	DC
	G	ADDED ITEM 6.	12-22-04	PB
	H	ITEM 1 REPLACED. WAS P/N 13933	4-28-05	PB



QTY.	PART NO.	DESCRIPTION	ITEM NO.
2	5894	TUBE, SILICONE, .420" ID X 2" LONG	6
1	13654	HEATER ELEMENT, 24", 120V HAIRPIN	5
1	12182	COVER, THERMOSTAT	4
1	13926	COVER, THERMAL PROBE WIRE	3
2	15576	THERMOCOUPLE PROBE, W/SS OVER BRAID, TYPE J, 60" LEADS	2
1	14303	CONTROL BOX, 2 BELT N SERIES, 115 VAC, FT - ASSY	1

NOTE:
1 - ITEM 6 NOT SHOWN. IS ADDED WHEN WIRES ARE CONNECTED TO THE ELEMENT.

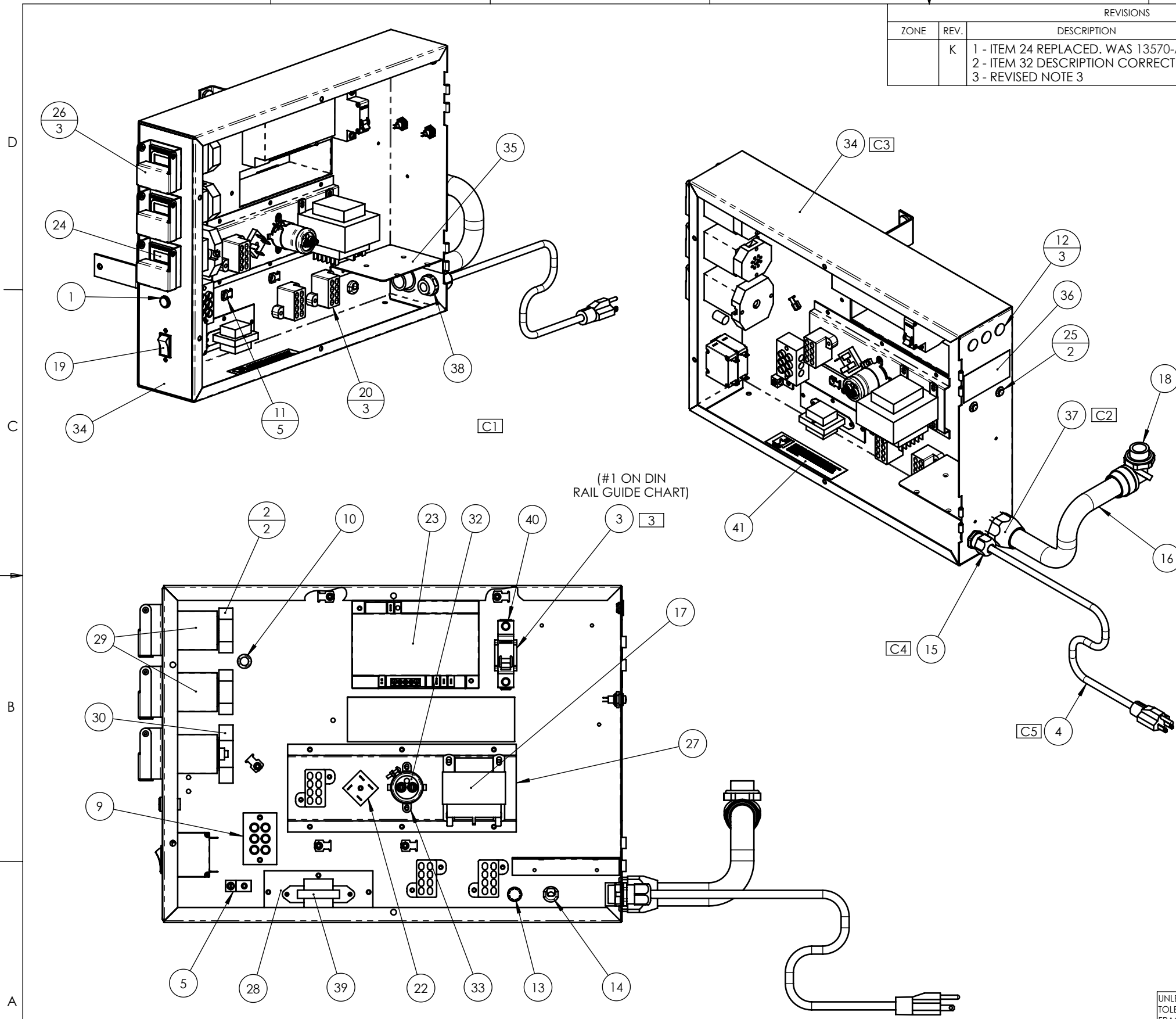
UNLESS OTHERWISE SPECIFIED DIMS ARE IN INCHES		DATE	NAME	 <small>(707) 284-7100 (707) 284-7430 FAX WINDSOR, CA 95492-8594</small>	<small>THIS DOCUMENT IS THE PROPERTY OF NIECO CORPORATION. REPRODUCTION OR RELEASE WITHOUT EXPRESS PERMISSION IS PROHIBITED.</small>
TOLERANCES: FRACTIONAL ±1/32 ANGULAR: ±1° TWO PLACE DECIMAL ±.02 THREE PLACE DECIMAL ±.01		DRAWN	6/10/03		
MATERIAL		CHECKED	-	-	SIZE
SEE PARTS LIST		FINISH		-	DWG. NO.
					B 13957
					REV
					H
TITLE: ELECTRICAL INSTALLATION, N1535G					
APPLICATION		SCALE: 1:1	WEIGHT: 25.71	SHEET 1 OF 1	

14125	90083
SIMILAR TO	USED ON
APPLICATION	

8 7 6 5 4 3 2 1

REVISIONS				
ZONE	REV.	DESCRIPTION	DATE	APPROVED
	K	1 - ITEM 24 REPLACED. WAS 13570-A. 2 - ITEM 32 DESCRIPTION CORRECTED. 3 - REVISED NOTE 3	4-10-06	DC

REVISIONS				
ZONE	REV.	DESCRIPTION	DATE	APPROVED
	A	INITIAL RELEASE	7-8-03	DC
5B	B	RELOCATE ITEM 15	9/25/03	PB
7C 4C 5D 4B 4B,G/N	C	ADD ITEM 38 ADD ITEM 37 UPDATE ITEM 34 TO LATEST REV ITEM 15 WAS P/N 5812 IS P/N 5833 SHOW ITEM 4 / DELETE NOTE 1	10/1/03	PB
	D	1-DELETED ITEM 6. 2-ITEM 31 REPLACED. WAS P/N 13771. 3-ITEM 26 REPLACED. WAS P/N 13625.	5-14-04	DC
	E	1-ITEM 24 REPLACED. WAS P/N 13570. 2-ADDED ITEM 39.	10-19-04	DC
	F	1-ITEM 31 REPLACED. WAS P/N 15364. 2-ITEM 11 QTY CHANGED. WAS 4X. 3-ADDED ITEM 40.	12-9-04	DC
5C	G	ADDED ITEM 41.	1-12-05	PB
	H	ITEM 31 REPLACED. WAS 15522	12-5-05	DC
	J	ITEM 23 REPLACED. WAS 12990.	1-31-06	DC



1	5081	STICKER, "POWER CONNECTIONS"	41
1	11965	CIRCUIT BREAKER, 20A	40
1	16031	TRANSFORMER, 120V PRI, 24V SEC, 5VA	39
1	5830	JAM NUT, 1/2 NPT, LIQUID TIGHT FITTING (5833)	38
1	5818	FITTING, FLEX CONDUIT, Ø3/4" STRAIGHT	37
1	14021	LABEL, BELT REVERSE, 1-3/4 X 3-1/2"	36
1	14016	BRACKET, SPARE PARTS, 2 BELT N SERIES	35
1	14014	ENCLOSURE, CONTROL BOX, 2 BELT N SERIES - WLDMT	34
1	13795	BRACKET, CAPACITOR, Ø1-3/8"	33
1	13794	CAPACITOR, 4700µF, 40 WVDC	32
1	15264	LABEL, CONTROL BOX, 2 BELT, N SERIES, BLACK	31
1	13737	SOCKET BASE, 11 PIN	30
2	13727	CONTROL, BRUSHLESS MOTOR	29
1	13669	PLATE, ACCESS COVER	28
1	13668	BRACKET, MODULAR POWER, CONTROL BOX	27
3	15328	COVER, GUARD, DIN CONTROL - ASSY	26
2	13579	SWITCH, MOTOR REVERSING	25
1	13570-B	CONTROL, LOAD SENSING, 1/16 DIN, 24V	24
1	16921	CONTROL, IGNITION, 24V	23
1	12725	RECTIFIER, SINGLE PHASE BRIDGE, 25A, 200V	22
3	12715	FUSE HOLDER, INLINE	21
3	12589	BLOCK, POWER DISTRIBUTION, 8 SPADE CONNECTIONS	20
1	12364	SWITCH, ON OFF, 30A, 2 POLE	19
1	10846	FITTING, FLEX CONDUIT, 3/4 SWIVEL	18
1	10529	TRANSFORMER, 240VAC INPUT, 24 VAC A AMP OUTPUT	17
1	5821	CONDUIT, FLEXIBLE, Ø3/4"	16
1	5833	FITTING, LIQUID TIGHT, 1/2 NPT	15
1	5696	BUSHING, STRAIN RELIEF, 5/8" MOUNTING HOLE	14
1	5682-05	PLUG, HOLE, SNAP IN, 5/8"	13
3	5682-04	PLUG, HOLE, SNAP IN, 1/2"	12
5	5674	OP MOUNTING PLATE, TY-RAP	11
1	5670	GROMMET, 3/8", RUBBER	10
1	4622	BLOCK, TERMINAL, 3 POLE, 90A, 600V	9
2	4621-02	FUSE, 2 AMP	8
4	4621-0050	FUSE, .5 AMP	7
+	4401	INDICATOR LIGHT, AMBER, 28V	6
1	4224-1	GROUND LUG GAS BROILERS (#TA-2)	5
1	4207	POWER CORD, 7 FT	4
3	4159-1	RAIL, DIN	3
2	4136	SCR BASE	2
1	4100	LIGHT, RED W/WIRES, MAIN (250V)	1
QTY.	PART NO.	DESCRIPTION	ITEM NO.

NOTE:
 1 - SEE WIRING DIAGRAM 14208 FOR LOCATION OF ITEMS 7, 8, & 21
 2 - QTY 1 OF ITEM 8 AND QTY 2 OF ITEM 7 TO BE PLACED IN CONTROL BOX AS SPARES.
 3 - CUT 1 LENGTH OF ITEM 3 TO APPROX. DIMENSION

UNLESS OTHERWISE SPECIFIED DIMS ARE IN INCHES

DATE	NAME	 <small>(707) 284-7100 (707) 284-7430 FAX WINDSOR, CA 95492-8594</small>	<small>THIS DOCUMENT IS THE PROPERTY OF NIICO CORPORATION. REPRODUCTION OR RELEASE WITHOUT EXPRESS PERMISSION IS PROHIBITED.</small>
DRAWN	6-27-03		
CHECKED	7-8-03	DC	
MATERIAL	FINISH		
SEE PARTS LIST		SIZE	DWG. NO.
		B	14303
			REV
			K
TITLE: CONTROL BOX, 2 BELT N, 115 V, RF - ASSY			
SCALE: 1:2		WEIGHT: 21.19	SHEET 1 OF 1

8 7 6 5 4 3 2 1

8

7

6

5

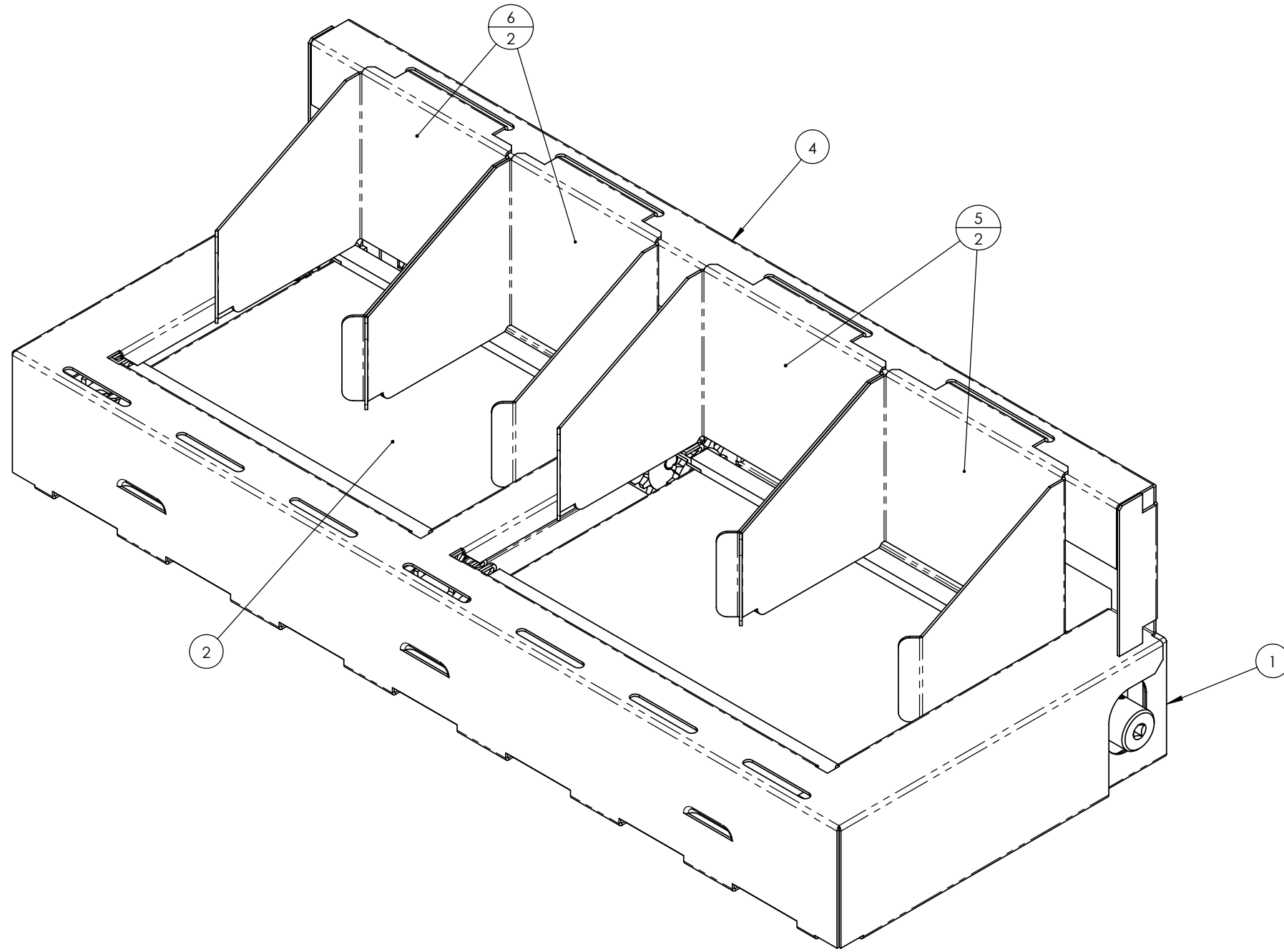
4

3

2


1

REVISIONS				
ZONE	REV.	DESCRIPTION	DATE	APPROVED
	A	INITIAL RELEASE	3-2-04	VS



QTY.	PART NO.	DESCRIPTION	ITEM NO.
2	14938	DIVIDER, PATTY, FEEDER, 10" ROD BELT, 1/2" GAP	6
2	14937	DIVIDER, PATTY, FEEDER, 12" ROD BELT, 1/2" GAP	5
1	14936	COVER, FEEDER, 10 & 12 PUSH-BAR	4
1	14930	DRIVE UNIT, BOTTOM MOUNT, 12" ROD BELT - ASSY	3
1	14917	DRIVE UNIT, BOTTOM MOUNT, 10" ROD BELT	2
1	14911	ENCLOSURE, FEEDER, 10 & 12 PUSH-BAR - WLDMT	1

UNLESS OTHERWISE SPECIFIED DIMS ARE IN INCHES

TOLERANCES: FRACTIONAL ±1/32 ANGULAR: ±1° TWO PLACE DECIMAL ±.02 THREE PLACE DECIMAL ±.01	DRAWN 3-1-04 CJ	DATE 3-1-04	NAME VS
MATERIAL SEE PARTS LIST	FINISH BURR STANDARD CLASS "B"	 <small>(707) 284-7100 (707) 284-7430 FAX WINDSOR, CA 95492-8594</small>	
TITLE: FEEDER, 10 & 12 PUSH-BAR - ASSY		SIZE B	DWG. NO. 14910
SIMILAR TO		REV A	
USED ON		SCALE: 1:8	
APPLICATION		WEIGHT:	
		SHEET 1 OF 1	

8

7

6

5

4

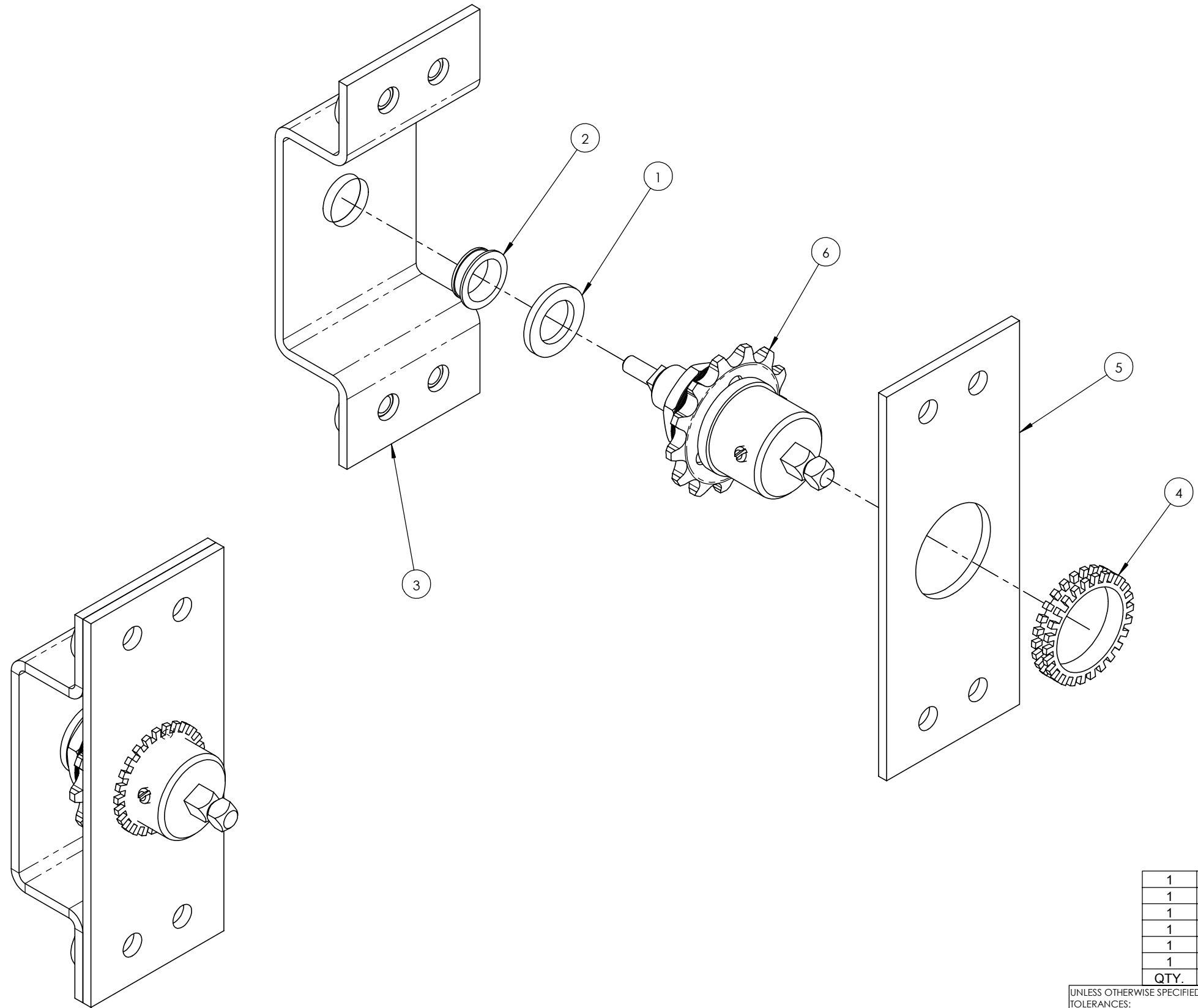
3

2

1

8 7 6 5 4 3 2 1

REVISIONS				
ZONE	REV.	DESCRIPTION	DATE	APPROVED
	A	INITIAL RELEASE	8-8-04	DC



QTY.	PART NO.	DESCRIPTION	ITEM NO.
1	14900	SPROCKET, CLUTCHED, 13T, BELLEVILLE SPRING	6
1	14897	PLATE, LARGE BEARING, FEEDER DRIVE	5
1	14896	BEARING, SHOULDER WASHER, LARGE, FEEDER DRIVE	4
1	10640	BRACKET, BEARING, FEEDER DRIVE - WLDMT	3
1	10627	BEARING CLIP, Ø1/2" ID, .12 THK	2
1	10275	WASHER, THRUST, 1/2 ID, 13/16 OD, .090 THK	1

UNLESS OTHERWISE SPECIFIED DIMS ARE IN INCHES

TOLERANCES:	DATE	NAME	 <small>(707) 284-7100 (707) 284-7430 FAX WINDSOR, CA 95492-8594</small>	<small>THIS DOCUMENT IS THE PROPERTY OF NIECO CORPORATION. REPRODUCTION OR RELEASE WITHOUT EXPRESS PERMISSION IS PROHIBITED.</small>
FRACTIONAL ±1/32	DRAWN	8-3-04		
ANGULAR: ±1°	CHECKED	8-8-04	DC	
TWO PLACE DECIMAL ±.02	FINISH			
THREE PLACE DECIMAL ±.01				

SEE PARTS LIST

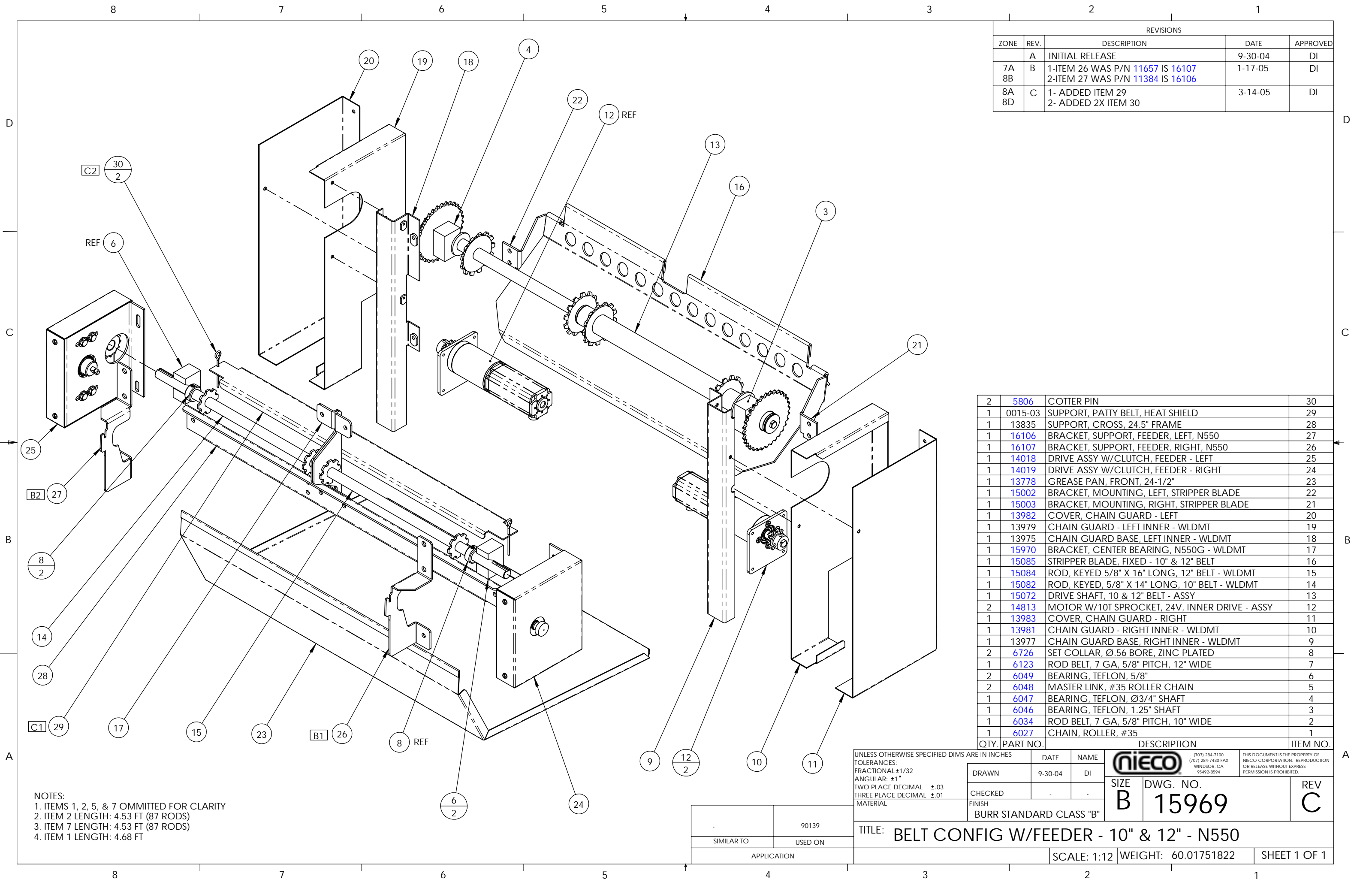
SIZE **B** DWG. NO. **15882** REV **A**

TITLE: FEEDER DRIVE, COMBO CLUTCH - ASSY

SCALE: 1:1 WEIGHT: 0.794 SHEET 1 OF 1

14297	14170 14300 14507	14635 14680
SIMILAR TO	USED ON	
APPLICATION		


8 7 6 5 4 3 2 1



REVISIONS				
ZONE	REV.	DESCRIPTION	DATE	APPROVED
	A	INITIAL RELEASE	9-30-04	DI
7A 8B	B	1-ITEM 26 WAS P/N 11657 IS 16107 2-ITEM 27 WAS P/N 11384 IS 16106	1-17-05	DI
8A 8D	C	1- ADDED ITEM 29 2- ADDED 2X ITEM 30	3-14-05	DI

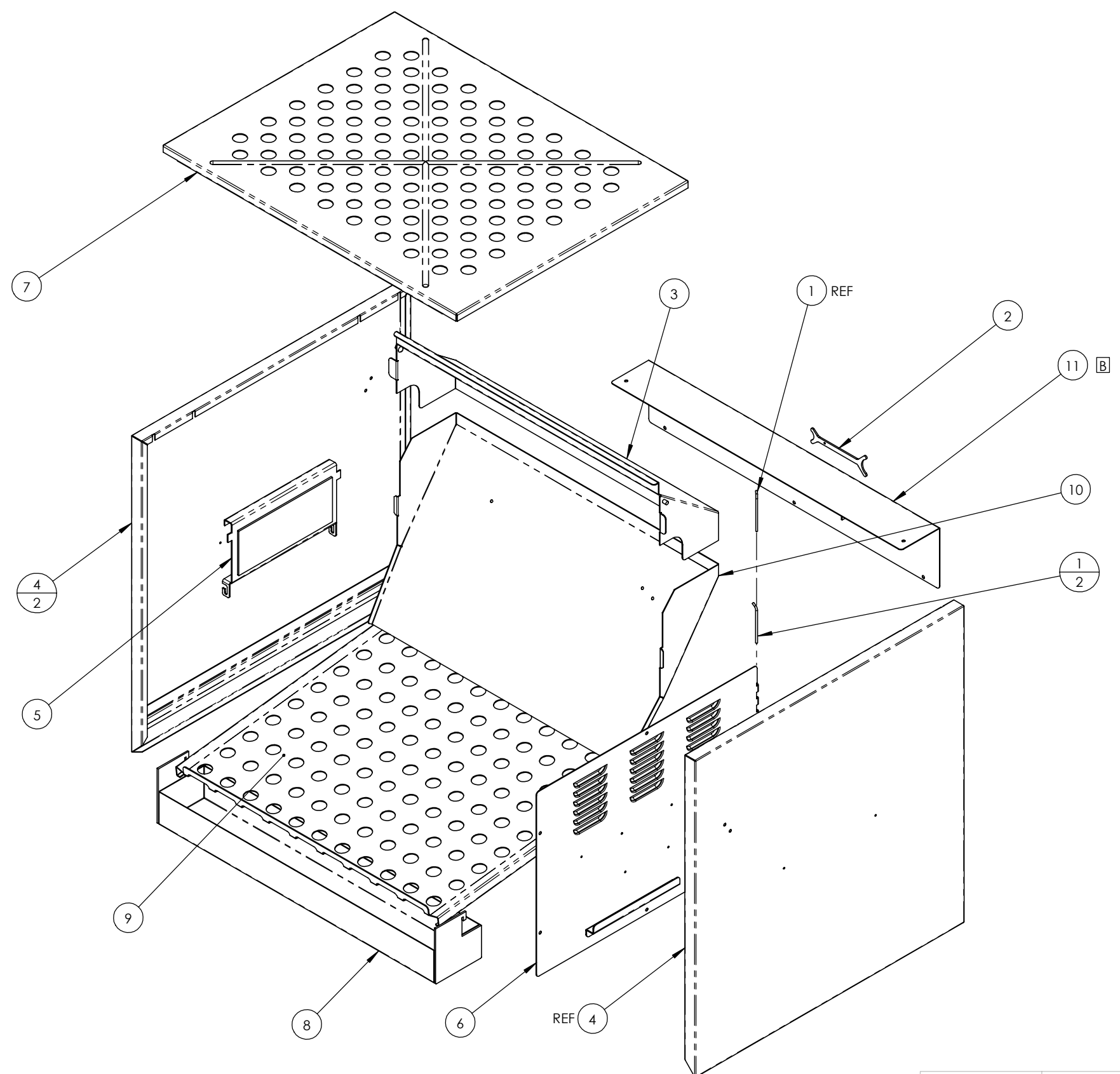
2	5806	COTTER PIN	30
1	0015-03	SUPPORT, PATTY BELT, HEAT SHIELD	29
1	13835	SUPPORT, CROSS, 24.5" FRAME	28
1	16106	BRACKET, SUPPORT, FEEDER, LEFT, N550	27
1	16107	BRACKET, SUPPORT, FEEDER, RIGHT, N550	26
1	14018	DRIVE ASSY W/CLUTCH, FEEDER - LEFT	25
1	14019	DRIVE ASSY W/CLUTCH, FEEDER - RIGHT	24
1	13778	GREASE PAN, FRONT, 24-1/2"	23
1	15002	BRACKET, MOUNTING, LEFT, STRIPPER BLADE	22
1	15003	BRACKET, MOUNTING, RIGHT, STRIPPER BLADE	21
1	13982	COVER, CHAIN GUARD - LEFT	20
1	13979	CHAIN GUARD - LEFT INNER - WLDMT	19
1	13975	CHAIN GUARD BASE, LEFT INNER - WLDMT	18
1	15970	BRACKET, CENTER BEARING, N550G - WLDMT	17
1	15085	STRIPPER BLADE, FIXED - 10" & 12" BELT	16
1	15084	ROD, KEYED 5/8" X 16" LONG, 12" BELT - WLDMT	15
1	15082	ROD, KEYED, 5/8" X 14" LONG, 10" BELT - WLDMT	14
1	15072	DRIVE SHAFT, 10 & 12" BELT - ASSY	13
2	14813	MOTOR W/10T SPROCKET, 24V, INNER DRIVE - ASSY	12
1	13983	COVER, CHAIN GUARD - RIGHT	11
1	13981	CHAIN GUARD - RIGHT INNER - WLDMT	10
1	13977	CHAIN GUARD BASE, RIGHT INNER - WLDMT	9
2	6726	SET COLLAR, Ø.56 BORE, ZINC PLATED	8
1	6123	ROD BELT, 7 GA, 5/8" PITCH, 12" WIDE	7
2	6049	BEARING, TEFLON, 5/8"	6
2	6048	MASTER LINK, #35 ROLLER CHAIN	5
1	6047	BEARING, TEFLON, Ø3/4" SHAFT	4
1	6046	BEARING, TEFLON, 1.25" SHAFT	3
1	6034	ROD BELT, 7 GA, 5/8" PITCH, 10" WIDE	2
1	6027	CHAIN, ROLLER, #35	1

NOTES:
 1. ITEMS 1, 2, 5, & 7 OMITTED FOR CLARITY
 2. ITEM 2 LENGTH: 4.53 FT (87 RODS)
 3. ITEM 7 LENGTH: 4.53 FT (87 RODS)
 4. ITEM 1 LENGTH: 4.68 FT

UNLESS OTHERWISE SPECIFIED DIMS ARE IN INCHES		DATE	NAME	 <small>(707) 284-7100 (707) 284-7430 FAX WINDSOR, CA 95492-8594</small>		<small>THIS DOCUMENT IS THE PROPERTY OF NIECO CORPORATION. REPRODUCTION OR RELEASE WITHOUT EXPRESS PERMISSION IS PROHIBITED.</small>	
TOLERANCES: FRACTIONAL ±1/32 ANGULAR: ±1° TWO PLACE DECIMAL ±.03 THREE PLACE DECIMAL ±.01		9-30-04	DI	SIZE	DWG. NO.		REV
MATERIAL		FINISH	Burr Standard Class "B"		B	15969	C
TITLE: BELT CONFIG W/FEEDER - 10" & 12" - N550				SCALE: 1:12	WEIGHT: 60.01751822	SHEET 1 OF 1	

-	90139
SIMILAR TO	USED ON
APPLICATION	

REVISIONS				
ZONE	REV.	DESCRIPTION	DATE	APPROVED
	A	INITIAL RELEASE	9-30-04	DI
4C	B	ADDED ITEM 11	11-03-04	DI



QTY.	PART NO.	DESCRIPTION	ITEM NO.
1	13993	COVER, MOTOR ENCLOSURE - WLDMT	11
1	15454	SLIDE, RETURN FLOW, NON-DIVIDED - WLDMT	10
1	15455	PAN, GREASE DRAIN, PERFORATED, RETURN FLOW	9
1	15572	PAN, GREASE, DRIP, 550 SERIES - WLDMT	8
1	15005	TOP COVER, PERFORATED - 19" X 24.5" FRAME	7
1	13984	COVER, CONTROL BOX, 14.88 X 20.49" - WLDMT	6
1	13905	DOOR, HINGED BURNER ACCESS - WLDMT	5
2	13763	PANEL, SIDE, 25.0 L X 25.5 H - WLDMT	4
1	12861	AWNING, DISCHARGE, PIVOTING, 24-1/2" - WLDMT	3
1	9128	TOOL, SHAFT CLEANING	2
2	4448-03	HINGE PIN	1

UNLESS OTHERWISE SPECIFIED DIMS ARE IN INCHES

DATE	NAME		<small>(707) 284-7100 (707) 284-7430 FAX WINDSOR, CA 95492-8594</small>	<small>THIS DOCUMENT IS THE PROPERTY OF NIECO CORPORATION. REPRODUCTION OR RELEASE WITHOUT EXPRESS PERMISSION IS PROHIBITED.</small>	
DRAWN	9-30-04				DI
CHECKED	-	-	SIZE	DWG. NO.	REV
FINISH	BURR STANDARD CLASS "B"		B	15972	B

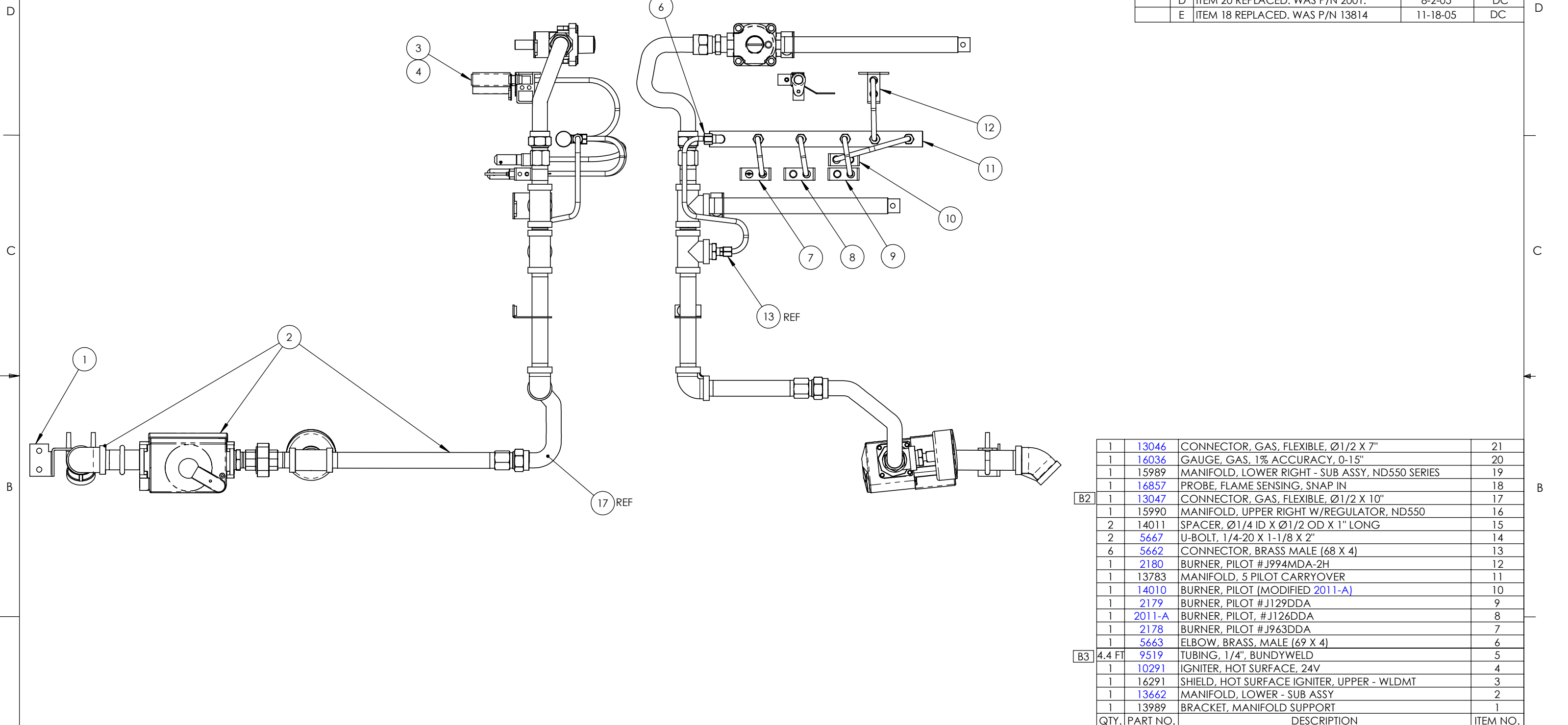
TITLE: SHIELDS, PANS, ETC., N550G, FEEDER, RF

SCALE: 1:24 WEIGHT: SHEET 1 OF 1

15575	90139
SIMILAR TO	USED ON
APPLICATION	

8 7 6 5 4 3 2 1

REVISIONS				
ZONE	REV.	DESCRIPTION	DATE	APPROVED
	A	INITIAL RELEASE	10-18-04	DI
2/1D P/L P/L	B	1. ITEM REPLACED 1X ITEM 17 W/ITEM 21 2. ITEM 17: QTY WAS 2 IS 1 3. ITEM 5: QTY WAS 1 IS 4.4 FT	10-26-04	DI
	C	ITEM 3 REPLACED. WAS P/N 13829.	4-6-05	DC
	D	ITEM 20 REPLACED. WAS P/N 2001.	8-2-05	DC
	E	ITEM 18 REPLACED. WAS P/N 13814	11-18-05	DC



QTY.	PART NO.	DESCRIPTION	ITEM NO.
1	13046	CONNECTOR, GAS, FLEXIBLE, Ø1/2 X 7"	21
1	16036	GAUGE, GAS, 1% ACCURACY, 0-15"	20
1	15989	MANIFOLD, LOWER RIGHT - SUB ASSY, ND550 SERIES	19
1	16857	PROBE, FLAME SENSING, SNAP IN	18
B2	13047	CONNECTOR, GAS, FLEXIBLE, Ø1/2 X 10"	17
1	15990	MANIFOLD, UPPER RIGHT W/REGULATOR, ND550	16
2	14011	SPACER, Ø1/4 ID X Ø1/2 OD X 1" LONG	15
2	5667	U-BOLT, 1/4-20 X 1-1/8 X 2"	14
6	5662	CONNECTOR, BRASS MALE (68 X 4)	13
1	2180	BURNER, PILOT #J994MDA-2H	12
1	13783	MANIFOLD, 5 PILOT CARRYOVER	11
1	14010	BURNER, PILOT (MODIFIED 2011-A)	10
1	2179	BURNER, PILOT #J129DDA	9
1	2011-A	BURNER, PILOT, #J126DDA	8
1	2178	BURNER, PILOT #J963DDA	7
1	5663	ELBOW, BRASS, MALE (69 X 4)	6
B3	4.4 FT 9519	TUBING, 1/4", BUNDYWELD	5
1	10291	IGNITER, HOT SURFACE, 24V	4
1	16291	SHIELD, HOT SURFACE IGNITER, UPPER - WLDMT	3
1	13662	MANIFOLD, LOWER - SUB ASSY	2
1	13989	BRACKET, MANIFOLD SUPPORT	1

UNLESS OTHERWISE SPECIFIED DIMS ARE IN INCHES

TOLERANCES:
 FRACTIONAL ±1/32
 ANGULAR: ±1°
 TWO PLACE DECIMAL ±.02
 THREE PLACE DECIMAL ±.01

MATERIAL: SEE PARTS LIST

DATE	10-18-04	NAME	DI
DRAWN		CHECKED	
FINISH			

nioco (707) 284-7100 (707) 284-7430 FAX WINDSOR, CA 95492-8594

THIS DOCUMENT IS THE PROPERTY OF NIICO CORPORATION. REPRODUCTION OR RELEASE WITHOUT EXPRESS PERMISSION IS PROHIBITED.

SIZE **B** DWG. NO. **15988** REV **E**

TITLE: **MANIFOLD INSTALLATION, ND550G**

SCALE: 1:2 WEIGHT: 12.90 SHEET 1 OF 2

	90123 90121 90109
SIMILAR TO	USED ON
APPLICATION	

8 7 6 5 4 3 2 1

8 7 6 5 4 3 2 1

D

D

C

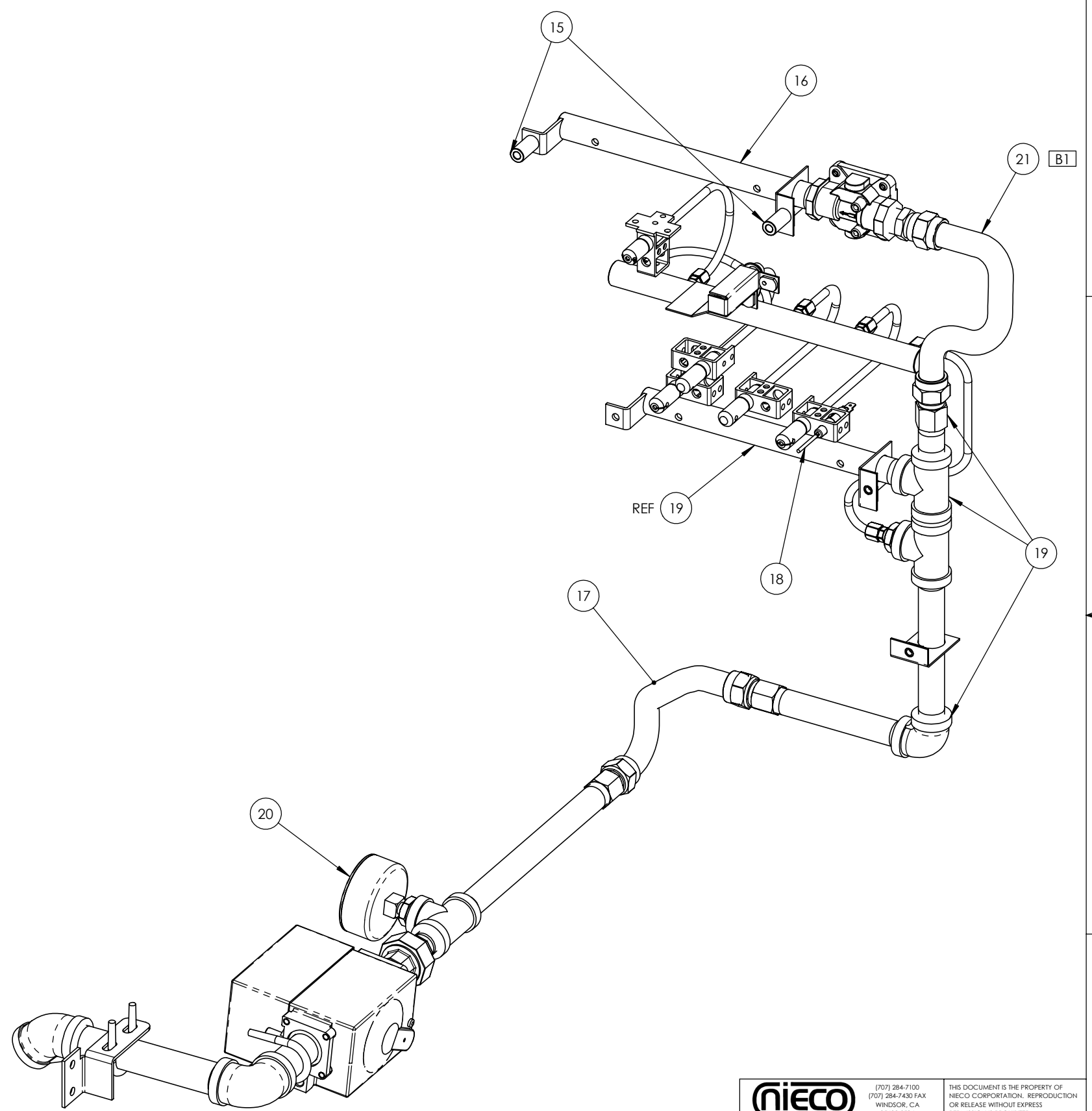
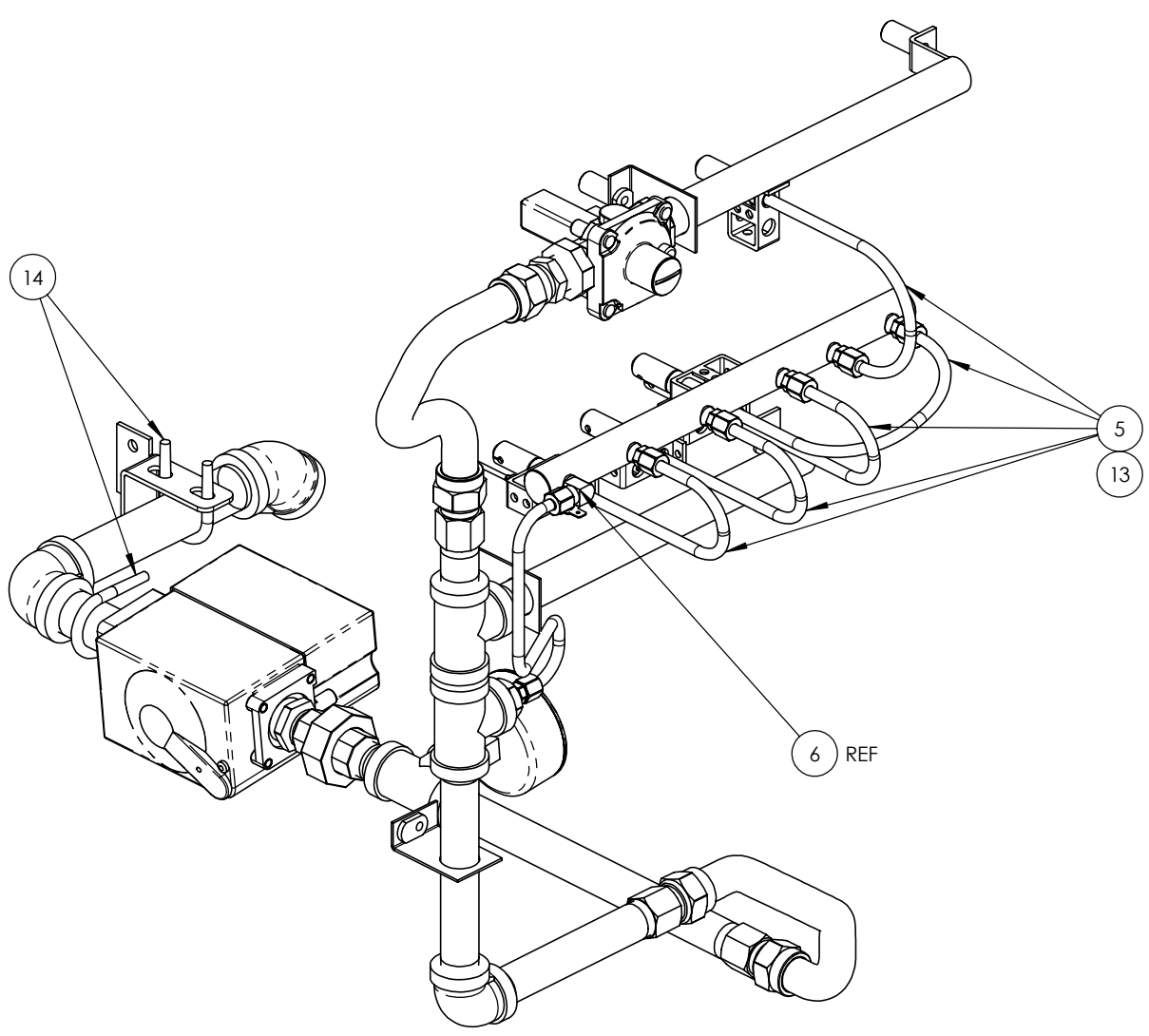
C

B

B

A

A



niECO		(707) 284-7100 (707) 284-7430 FAX WINDSOR, CA 95492-8594	THIS DOCUMENT IS THE PROPERTY OF niECO CORPORATION. REPRODUCTION OR RELEASE WITHOUT EXPRESS PERMISSION IS PROHIBITED.
SIZE B	DWG. NO. 15988	REV E	

TITLE: MANIFOLD INSTALLATION, ND550G		
SCALE: 1:2	WEIGHT: 12.90	SHEET 2 OF 2

8 7 6 5 4 3 2 1