

RECOMMENDED SPARE PARTS

<u>PART NUMBER</u>	<u>PART DESCRIPTION</u>	<u>NO. REQ'D</u>
5835-7705	Clip-Hairpin	2
0730-0031	Pin-Eccentric	2
0732-0013	Pin-Blade Frame	2
0711-0002	Link-Top	2
6301-3609*	Motor-1/2 HP, 1-60-115/230	1
5601-1127*	Belt-V (4L370) (60 Cycle Machines)	1
5749-8027*	Relay-Power (115 VAC)	1
5749-8028*	Relay-Power (230 VAC)	1
5708-7920	Red "Stop" Pushbutton	1
5708-7931	"Stop" Contact Block	1
5708-7900	Green "Start" Pushbutton	1
5708-7930	"Start" Contact Block	1
5757-7354	Switch-Limit	2
5220-5040	Bearing-Driven Pulley	2
0797-0058-019	Stud-Driven Pulley	1
0797-0071-3	Connecting Rod Assembly with Bearings	1
0797-0057-219	Stud-Swing	1
5220-4040	Bearing-Rocker Shaft	2
5220-0020	Bearing-Swing Shaft	4
0797-0029-1	Knife-Type A	As Req'd.
0777-0970	Bolt-Eye	4
0777-0971	Cam-Clamp	4
5852-0050	Spring-Bellville	4
6084-8700	Gas Spring	1
5831-8225	Clip-Push On	2
5251-0030	Bearing-5/8 Cam Follower	2
5251-0091	Bearing-3/4 Cam Follower	1

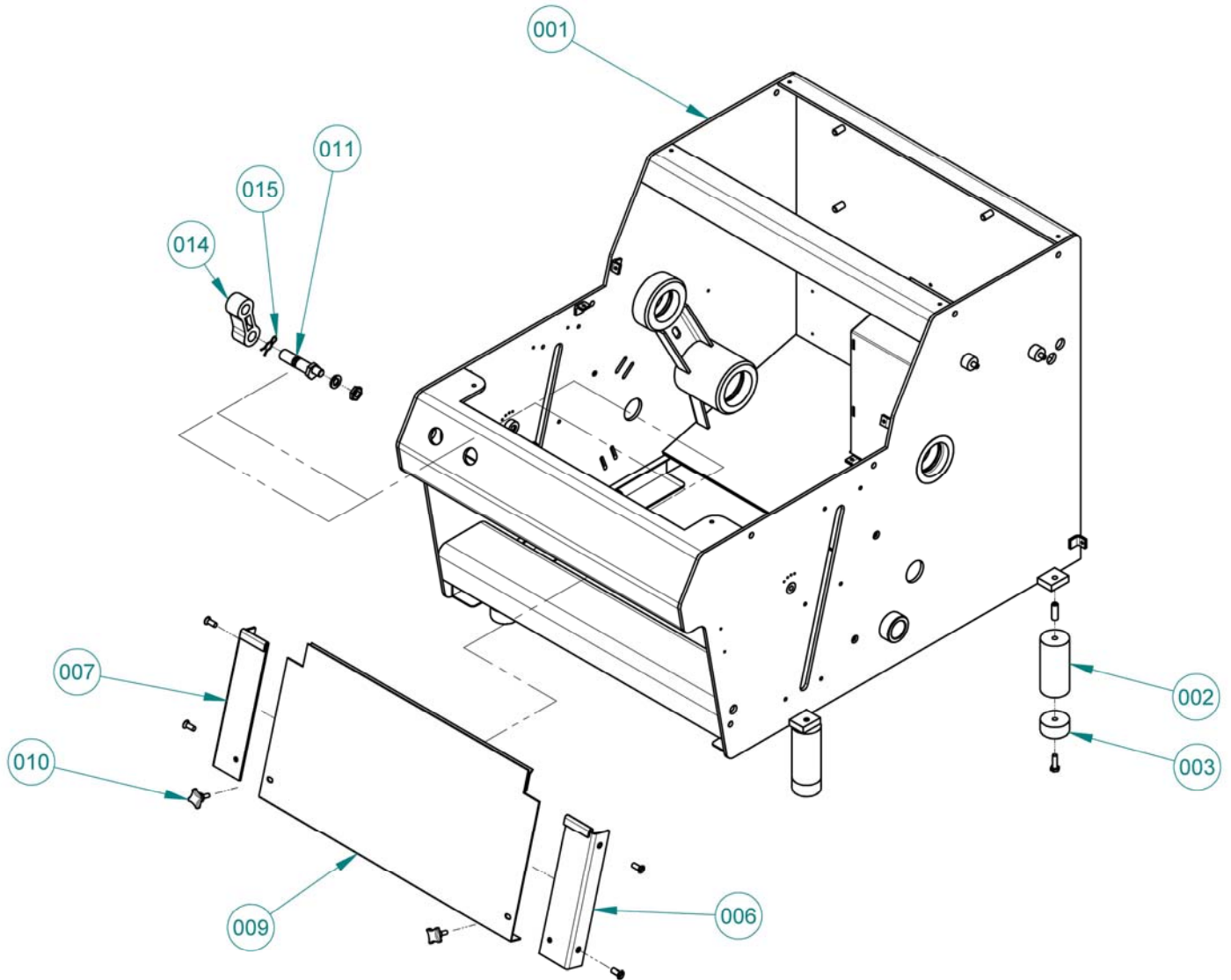
***For Other Electrics Contact the Factory**

For Service Parts Call Oliver Products @ 800-253-3893

REV 6-8-04

THIS PAGE WAS INTENTIONALLY
LEFT BLANK.

MAIN FRAME



REV 7/22/04

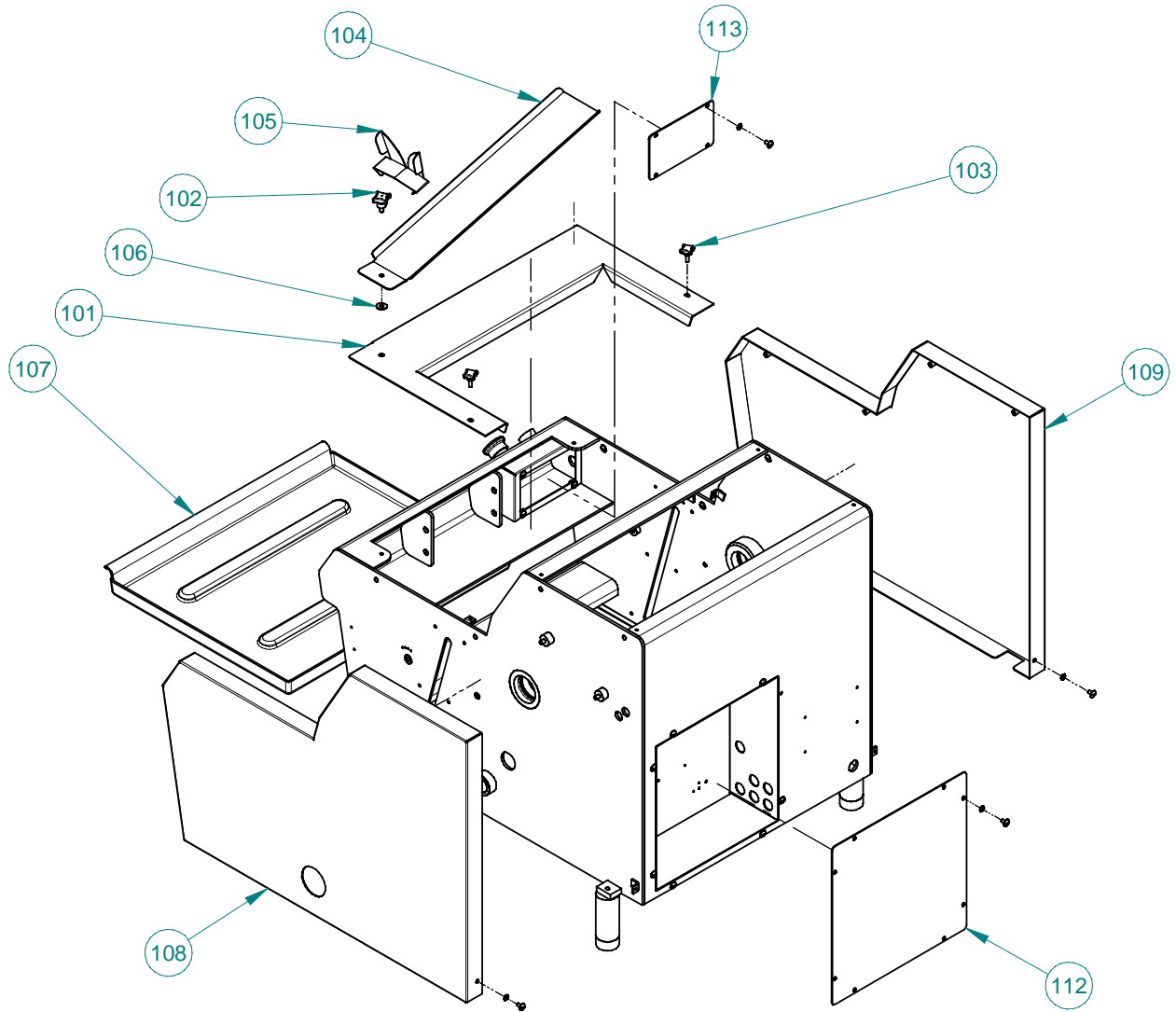
MAIN FRAME PARTS LIST

ITEM NO	PART DESCRIPTION	PART NUMBER
001	Frame	0732-0002
001	Frame (Black)	0732-0002-002
002	Leg-Extension	0732-0003
003	Bumper-Rubber	5902-0021
006	Angle-RH Mounting	0732-0004-0001
007	Angle-LH Mounting	0732-0004-0002
009	Table-Infeed	0711-0048
010	Knob W/Stud M5 x .8 x 15mm LG	5911-7210
011	Pin-Eccentric	0730-0031
014	Link-Blade Frame	0711-0002
015	Clip-Hairpin	5835-7705

NOTE: Bold text represents optional parts available

FOR SERVICE PARTS CALL OLIVER PRODUCTS @ 800-253-3893
 REV. 1/30/07

COVERS



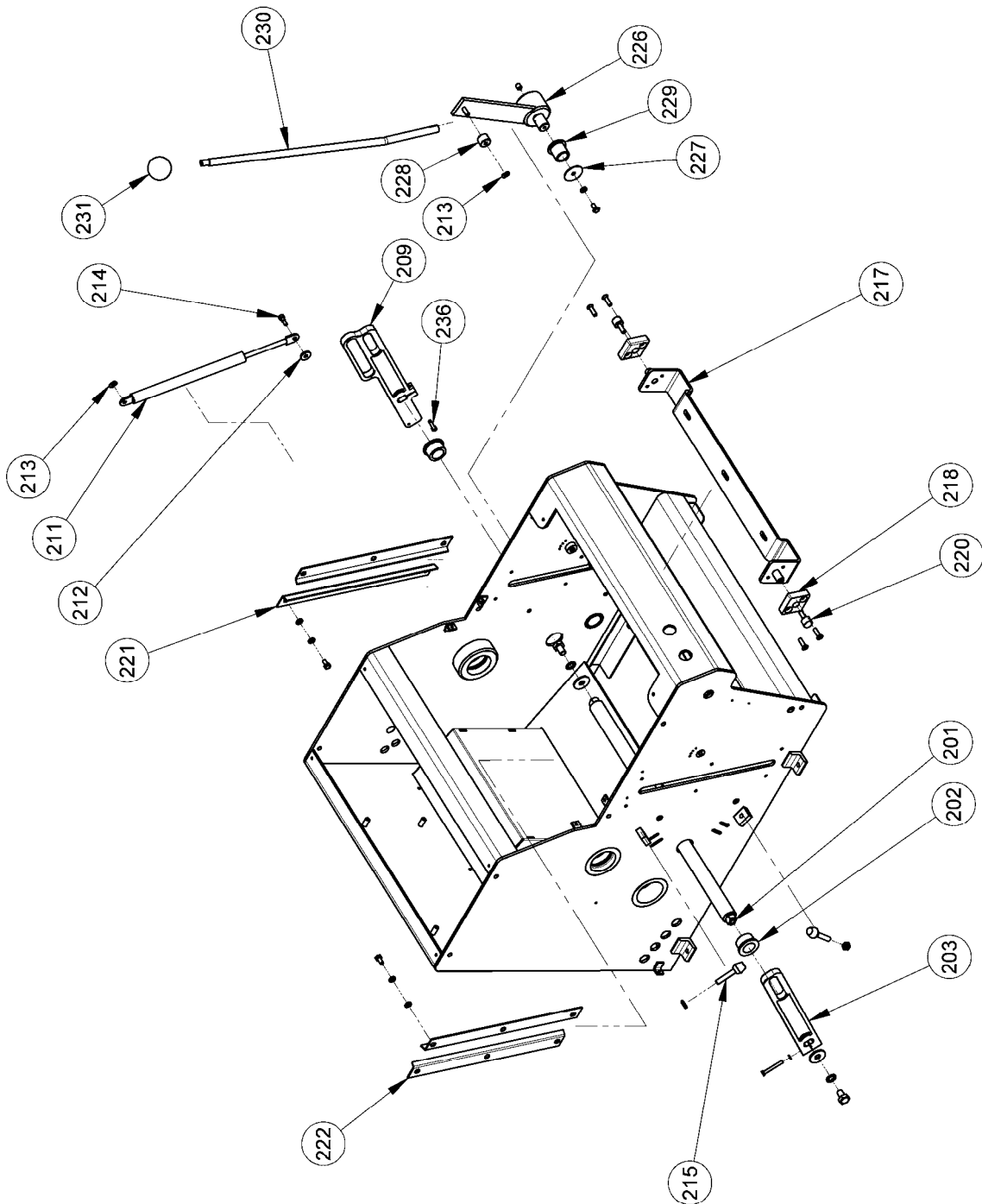
COVERS PARTS LIST

ITEM NO	PART DESCRIPTION	PART NUMBER
101	Cover-Front	0732-0005
102	Knob-Clamp W/Stud M6 x 1	4560-2507-18
103	Knob-Clamp W/Stud M5 x .8 x 15MM LG	5911-7210
104	Scoop-Bread	0711-0004-1
105	Stop-Bread	0711-0080
106	Washer-Flat Nylon	5851-8120
107	Tray-Crumb	0711-0014-002
108	Cover-RH Side	0732-0006
108	Cover-RH Side (Black)	0732-0006-002
109	Cover-LH Side	0732-0007
108	Cover-LH Side (Black)	0732-0007-002
112	Cover-Electrical Box	0732-0008
	Cover-Electrical Box (Black)	0732-0008-002
113	Cover-Switch Enclosure	0732-0009

NOTE: Bold text represents optional part available

FOR SERVICE PARTS CALL OLIVER PRODUCTS @ 800-253-3893
 REV. 1/30/07

PUSHER



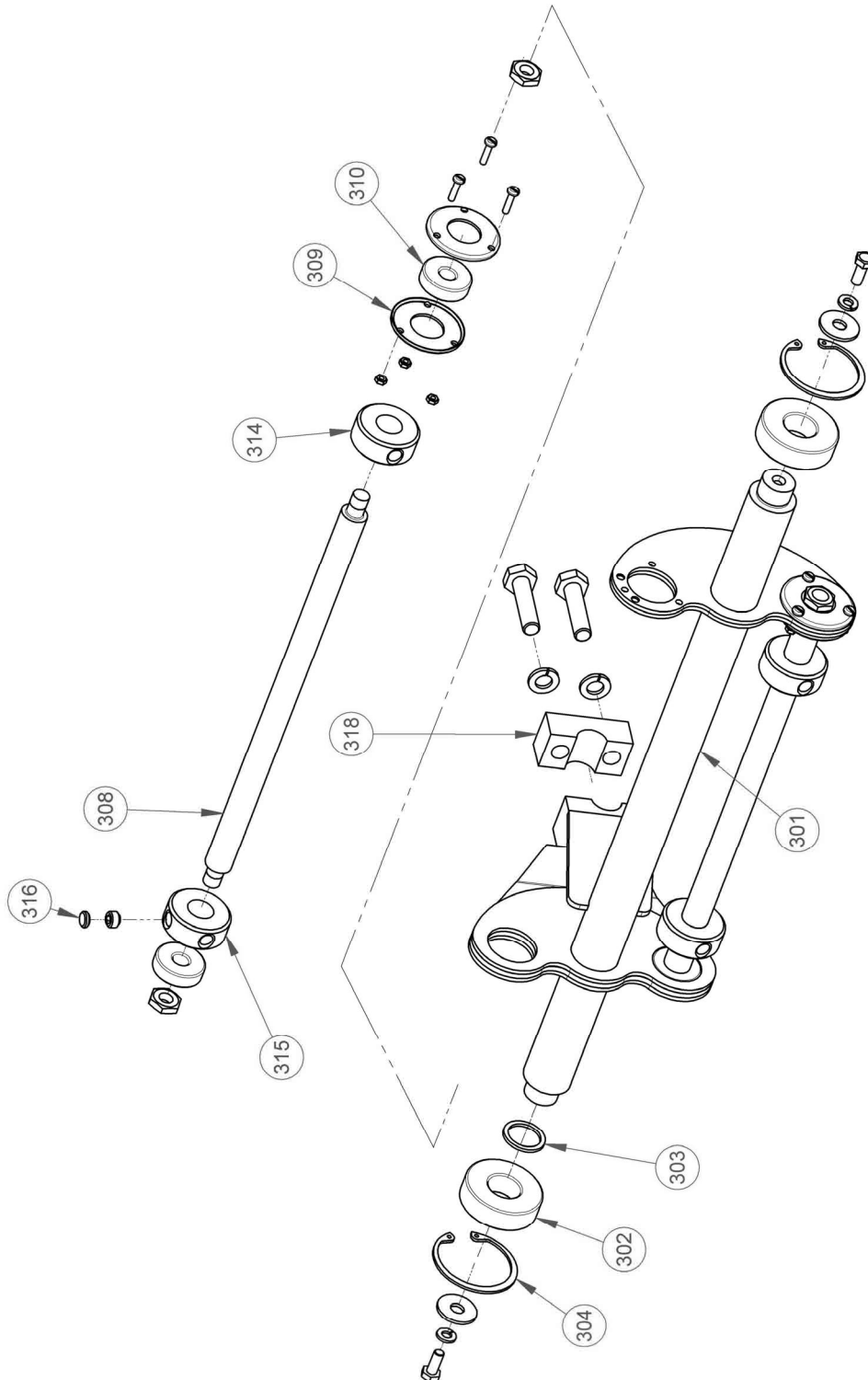
REV. 10/18/05

PUSHER PARTS LIST

ITEM NO	PART DESCRIPTION	PART NUMBER
201	Shaft-Pusher w/ Flats (Metric)	0732-0010-1
202	Bearing-Bronze Flange	5254-3043
203	Arm-LH Pusher w/ Flats	0711-0042-2
209	Arm-RH Pusher w/ Flats	0711-0043-4
211	Spring-Gas	6084-8700
212	Spacer-Lower	0711-0021
213	Clip-Push on	5831-8225
214	Screw-Shoulder ¼ x ¼	5842-8501
215	Spindle Assembly M8 x 1.25	5902-8795
217	Bracket-Cradle Mounting	0732-0011
218	Block-Slide	0711-0017
220	Bearing-5/8 Dia. Cam Follower	5251-0030
221	Guide-RH Pusher	0711-0051-0001
222	Guide-LH Pusher	0711-0051-0002
226	Hub-Pusher Drive	0732-0023
227	Washer-Special	4655-0309-1603
228	Bearing-3/4 Dia. Cam Follower	5251-0091
229	Bearing-Bronze Flange	5254-3139
230	Lever-Pusher	0732-0024
231	Knob-Ball	5911-7120

FOR SERVICE PARTS CALL OLIVER PRODUCTS @ 800-253-3893
REV. 10/18/05

ROCKER



REV. 7/22/04

0732S20012

11-1

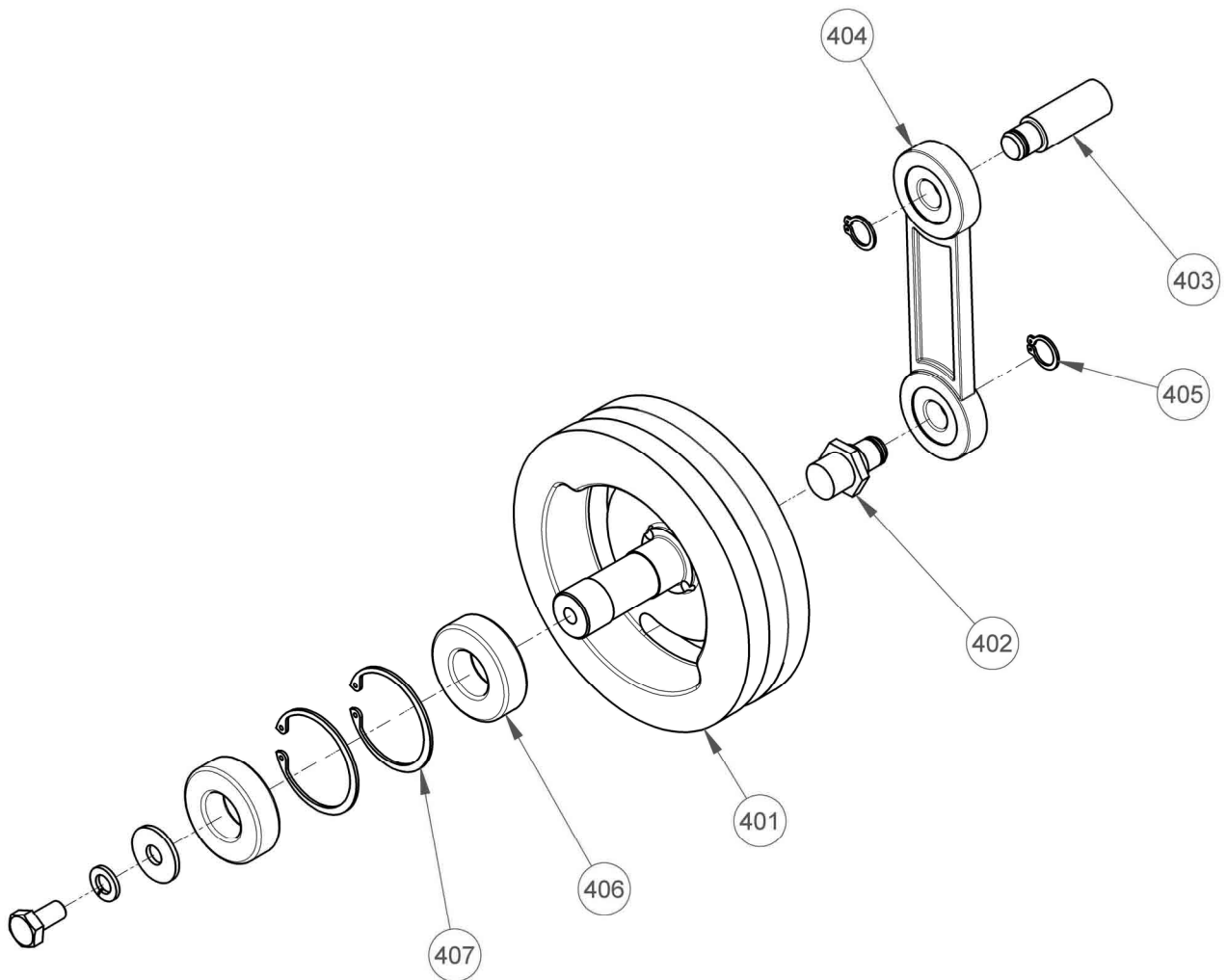
ROCKER PARTS LIST

ITEM NO	PART DESCRIPTION	PART NUMBER
301	Frame-Rocker	0732-0012
302	Bearing-Ball	5220-4040
303	Spacer-Bearing	0797-3088-001
304	Ring-Retaining	5840-1036
308	Shaft-Swing	0730-0024
309	Cap-Ball Bearing	4090-0232-0018
310	Bearing-Ball	5220-0020
314	Collar-Hold Down	0797-0031-002
315	Collar-Locating	0797-0031-003
316	Rod-Nylon Threaded 3/8-16	5840-8076
318	Cap-Clamp	0730-0023

FOR SERVICE PARTS CALL OLIVER PRODUCTS @ 800-253-3893

REV. 7/22/04

DRIVEN PULLEY



REV. 7/22/04

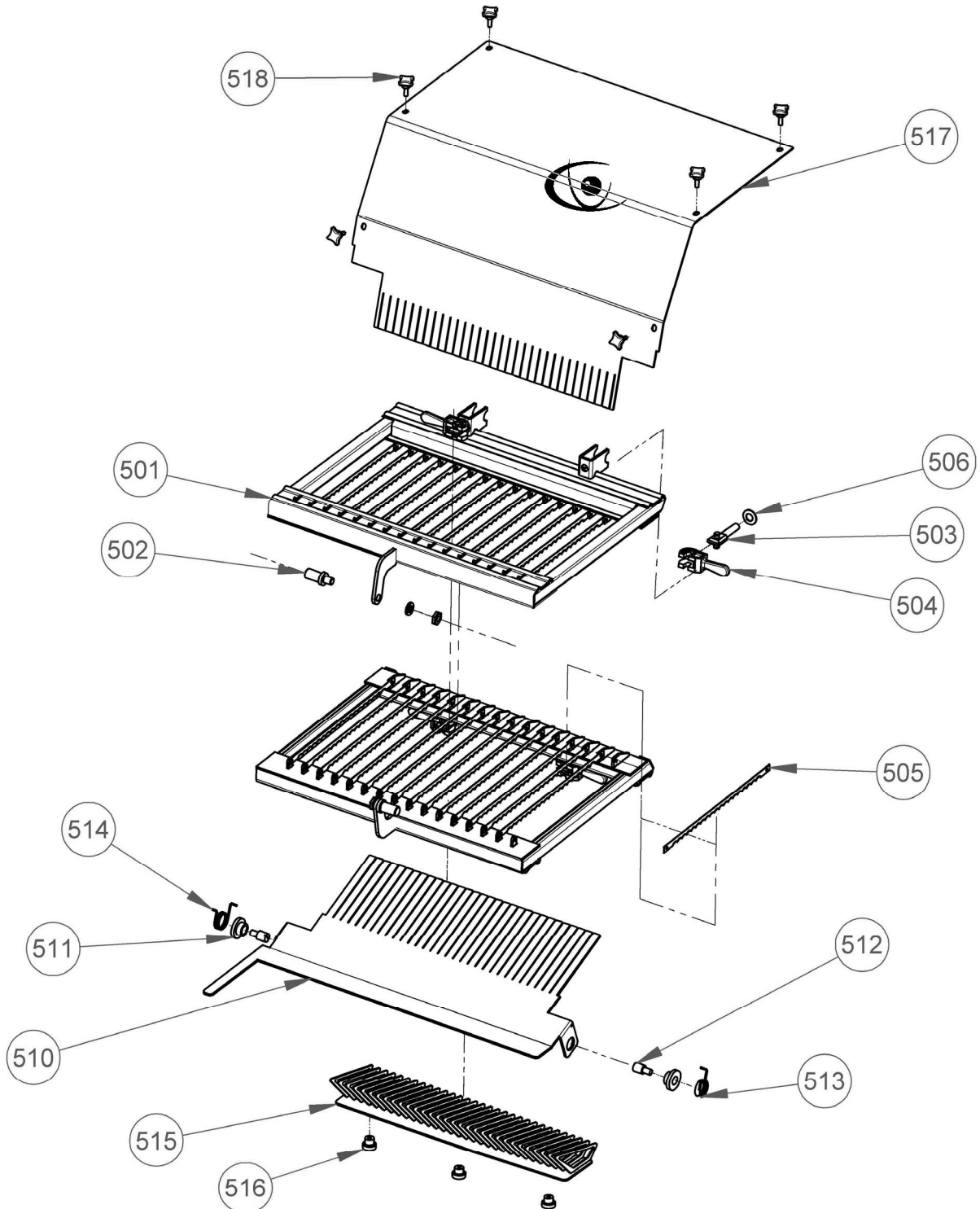
DRIVEN PULLEY PARTS LIST

ITEM NO	PART DESCRIPTION	PART NUMBER
401	Pulley-Driven	0730-0005-001
402	Stud	0797-0058-019
403	Stud-Swing	0797-0057-219
404	Rod Assembly W/Bearings	0797-0071-3
405	Ring-Retaining	5840-2825
406	Bearing-Ball	5220-5040
407	Ring-Retaining	5840-1040



FOR SERVICE PARTS CALL OLIVER PRODUCTS @ 800-253-3893
REV. 7/22/04

SLICE PARTS



REV. 7/22/04

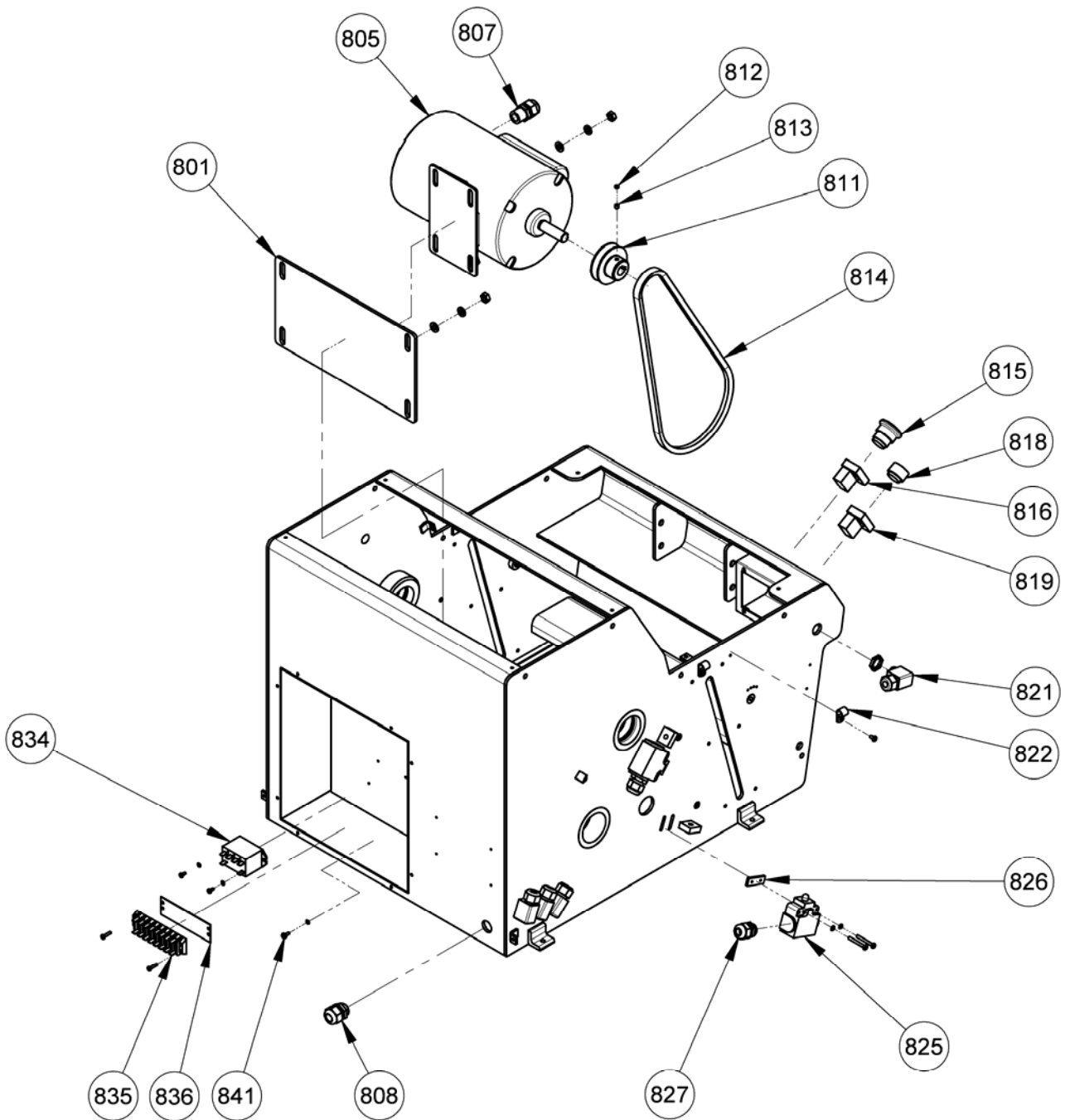
SLICE PARTS LIST

ITEM NO	PART DESCRIPTION	PART NUMBER
501*	Blade Frame	0732-0001-5XX
502	Pin-Frame	0732-0013
503	Bolt-Eye	0777-0970
504	Cam	0777-0971
505	Blade-Type A	0797-0029-1
506	Washer-Belleville Spring	5852-0050
510*	Holddown	0711-0036-2XX
511	Bushing	0777-0066
512	Screw-Pivot	0777-0068-001
513	Spring-RH Torsion	7030-0020
514	Spring-LH Torsion	7030-0021
515*	Cradle	0732-0014-1XX
516	Knob-Knurled	5911-7218
517*	Cover-Top	0732-0015-0XX
518	Knob W/Stud M5 x .8 x 15mm Lg.	5911-7210

* Specify Slice Thickness

FOR SERVICE PARTS CALL OLIVER PRODUCTS @ 800-253-3893
Rev. 8/11/04

ELECTRICAL PARTS



REV. 12/13/05

ELECTRICAL PARTS LIST

ITEM NO	PART DESCRIPTION	PART NUMBER
801	Plate-Motor Mounting	0732-0016
805*	Motor-1/2 HP 1-60-115/230	6301-3609
805*	Motor-1/2 HP 1-50-110/220	6301-3940
807	Bushing-Strain Relief	5765-1082
808	Bushing-Strain Relief	5765-1120
811	Pulley-V Belt (60 Hz Machines)	0732-0018
811	Pulley-V Belt (50 Hz Machines)	0732-0018-002
812	Rod-Nylon Threaded ¼-20	5840-8074
814	Belt-V 4L370	5601-1127
815	Button-Red Stop	5708-7908
816	Block-"Stop" Contact	5708-7931
818	Button-Green Start	5708-7900
819	Block "Start" Contact	5708-7930
821	Bushing-Strain Relief	5765-1010
822	Clamp-Cable	5765-4232
825	Switch-Limit	5757-7357
826	Nutbar-Switch Mounting	0732-0020
827	Bushing-Strain Relief	5765-1110
834	Relay-Power 1-50/60-110/115	5749-8027
834	Relay-Power 1-50/60-220/230	5749-8028
835	Block-Terminal	5770-7451
836	Strip-Marker	5770-7328
838	Plug-Hole	5769-3008
841	Green Grounding Screw 6-32 3/8"	5841-9501



* For other Electrics Consult the Factory

Continued

FOR SERVICE PARTS CALL OLIVER PRODUCTS @ 800-253-3893

REV 10/5/06

ELECTRICAL PARTS LIST (Continued)

Items Not Shown On Drawing

ITEM NO	PART DESCRIPTION	PART NUMBER
806	Cord-Motor	0732-0017
817	Wire-Switch Jumper	0711-0059
820	Cord-Pushbutton	0732-0019
830	Cord-Stop Limit Switch	0732-0021
831	Cord-Start Limit Switch	0732-0022
832*	Cord Power 1-60-115	0711-0056
832*	Cord Power 1-60-230 & 1-50-110/220	0711-0056-001
833	Harness-Wire	0711-0057
838	Plug-Hole	5769-3008
839*	Nameplate-Wiring Diagram (Single Phase)	6402-3103
840	Plug-Power 1-60-230	5765-2030
843	Plug-Hole	5769-3013

* For other Electrics Consult the Factory

FOR SERVICE PARTS CALL OLIVER PRODUCTS @ 800-253-3893

REV. 12/13/05