

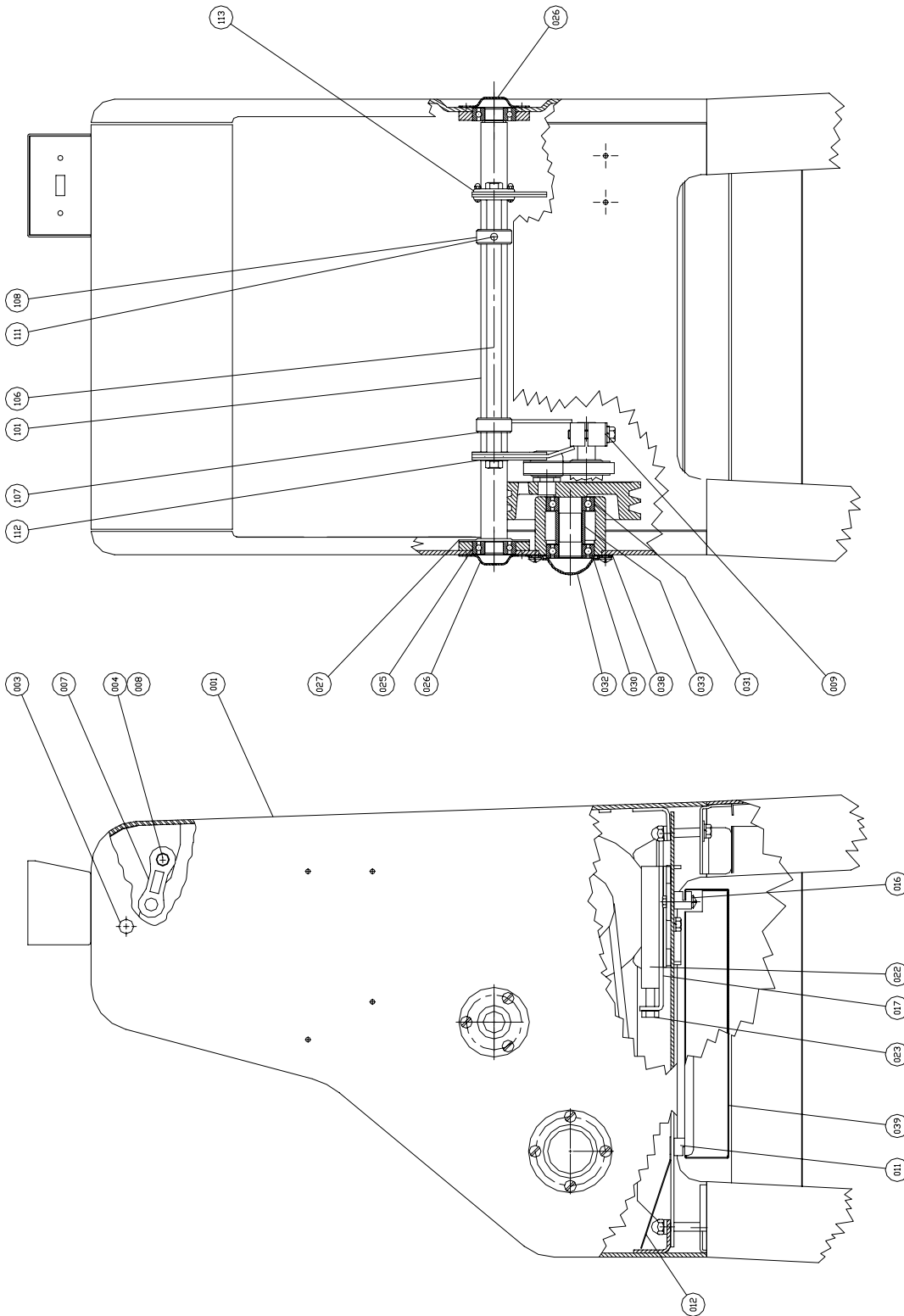
RECOMMENDED SPARE PARTS

<u>PART NUMBER</u>	<u>PART DESCRIPTION</u>	<u>NO. REQ'D</u>
5835-7705	Clip-Hairpin	2
0777-0034	Pin-Eccentric	2
0797-0059-2	Pin-Blade Frame	2
0711-0002	Link-Top	2
5601-1966*	Belt-V 4L36-1/2 (60 Cycle Machines)	1
5709-1125*	Switch-Starter (1 Phase Machines)	1
5220-5001	Bearing-Driven Pulley (With Snap Ring)	1
5220-5040	Bearing-Driven Pulley	1
0797-0058-1	Stud-Driven Pulley	1
6904-6001	Gasket-Driven Pulley	1
0797-0071-3	Rod-Connecting	1
0797-0057-2	Stud-Swing	1
5220-4040	Bearing-Rocker Shaft	2
5220-0020	Bearing-Swing Shaft	4
6301-3609*	Motor-1/2 HP, 1-60-115/230	1
0797-0029-1	Knife-Type A	As Req'd.

***For Other Electrics Contact the Factory**

For Service Parts Call Oliver Products @ 800-253-3893
Rev. 8/2604

MAIN FRAME/ROCKER ASSEMBLY



Rev. 9/16/04

0797S20071

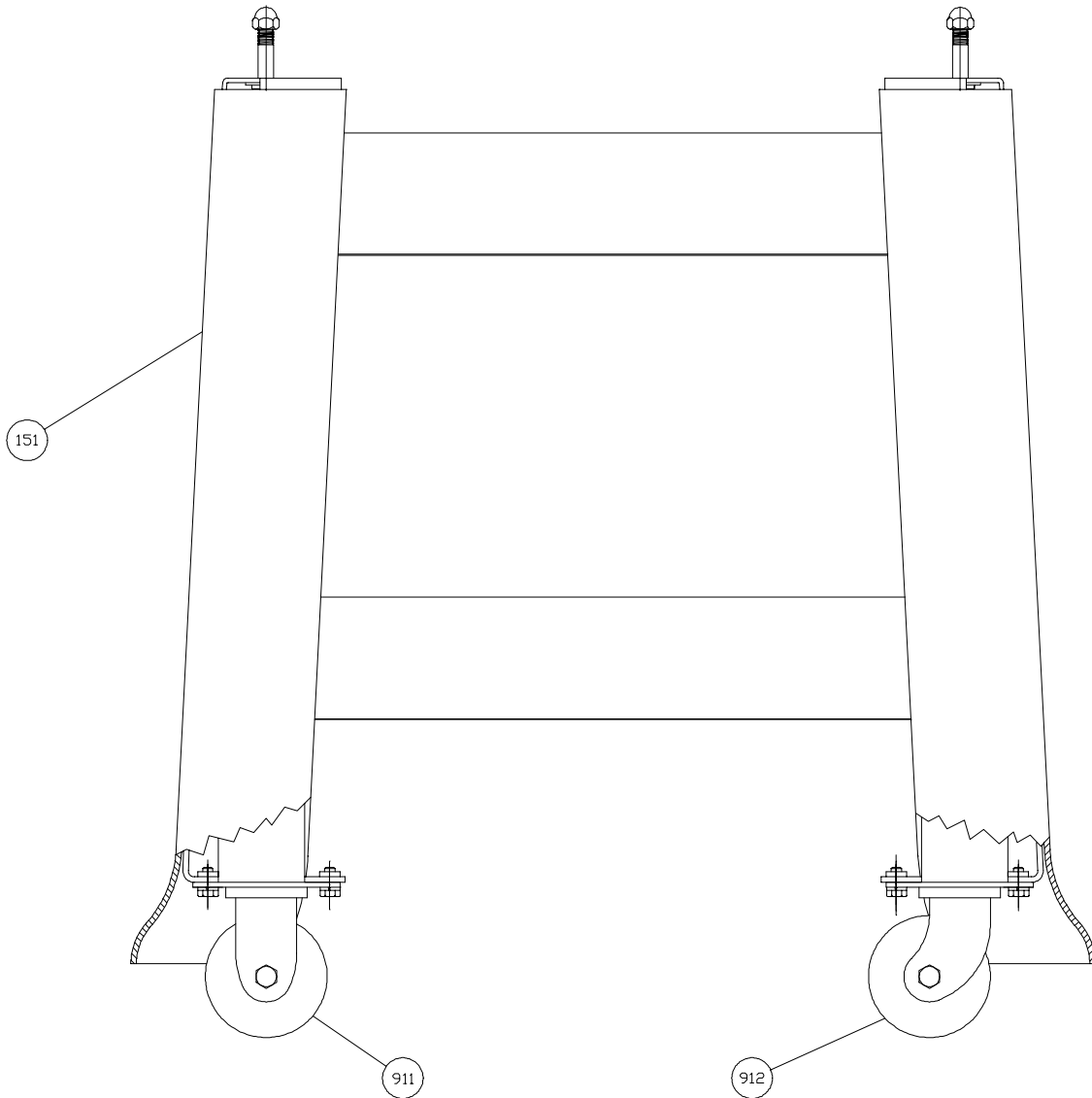
8-1

MAIN FRAME/ROCKER PARTS LIST

ITEM NO	PART DESCRIPTION	PART NUMBER
001	FRAME-MAIN	0797-3000
003	PLUG-5/8 HOLE	5769-3005
004	PIN-ECCENTRIC	0777-0034
007	LINK-BLADE FRAME	0711-0002
008	CLIP-HAIRPIN	5835-7705
009	CLAMP-ROCKER	0797-0047-003
011	SLIDE-DRAWER	0797-0053
012	BAFFLE-CRUMB	0797-0117
016	SLIDE-DRAWER (NOTCHED) (W/O BASE)	0797-0053-001
	SLIDE-DRAWER (NOTCHED) (W/BASE)	0797-0053-004
017	BRACKET-MOTOR	0797-0051-2
022	CLAMP-MOTOR BRACKET	0797-0078-2
023	BOLT-SPECIAL	5842-1532
025	BEARING-BALL	5220-4040
026	CAP-BALL BEARING (OUTSIDE)	4090-0233-0023
027	CAP-POWDER COAT WHITE	4090-0233-0044
030	BEARING-BALL (W/SNAP RING)	5220-5001
031	BEARING-BALL	5220-5040
032	CAP-BALL BEARING (DR PULLEY)	4090-0244-0005
033	COLLAR-SPACING	4130-0132-0204
038	GASKET-CORK	6904-6001
039	TRAY- CRUMB (W/O BASE)	0797-0054
	TRAY-EXTRA CAP. CRUMB (W/BASE)	0797-3079
101	ROCKER	0797-0047-2
106	SHAFT-SWING	0797-0060
107	COLLAR-HOLD DOWN	0797-0031-001
108	COLLAR-LOCATING	0797-0031-1
111	SCREW-SOCKET SET 3/8-16 X 1/4	5842-6156
112	BEARING-BALL	5220-0020
113	CAP-BALL BEARING	4090-0232-0004

FOR SERVICE PARTS CALL OLIVER PRODUCTS @ 800-253-3893
Rev. 10/24/05

BASE/CASTER & FEET ASSEMBLY



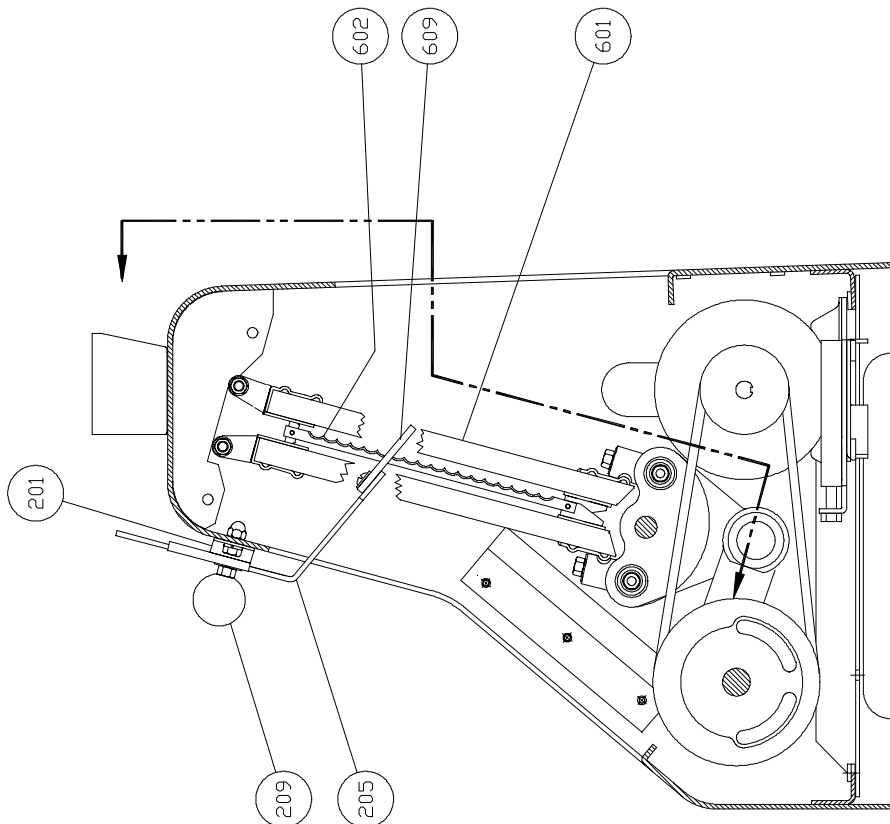
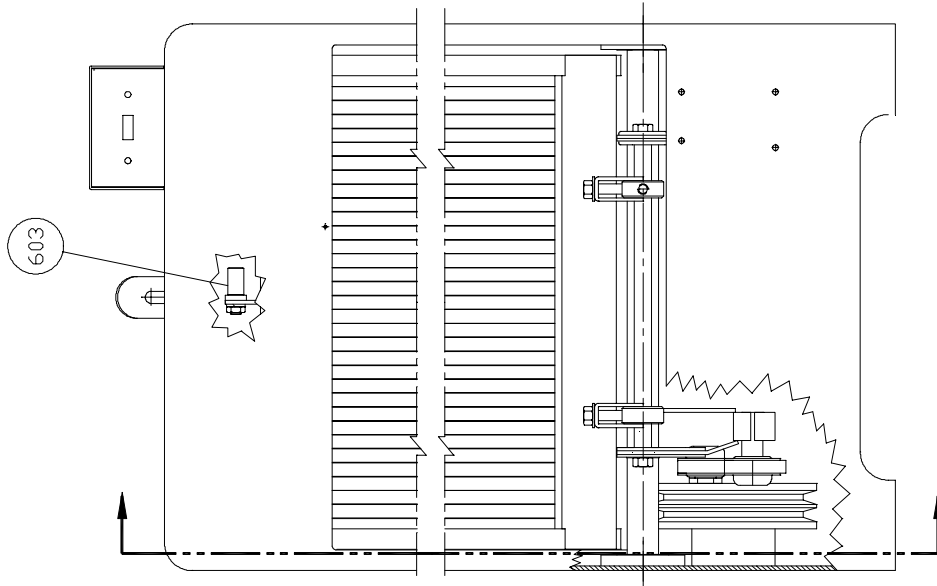
BASE/CASTER PARTS LIST

ITEM NO	PART DESCRIPTION	PART NUMBER
151	BASE-16" CASTER	0797-3068
152*	FOOT-RUBBER (UNITS W/O BASE)	0797-3257
911	CASTER-3" RIGID	5902-2363
912	CASTER-3" SWIVEL	5902-2364

* Not Shown on Drawing

FOR SERVICE PARTS CALL OLIVER PRODUCTS @ 800-253-3893

SLICE PARTS/HOLDDOWN ASSEMBLY



SLICE PARTS/HOLDDOWN PARTS LIST

ITEM NO	PART DESCRIPTION	PART NUMBER
201	BRACKET-HOLDDOWN	0797-3012
205	HOLDDOWN	0797-0358-201
209	KNOB	5911-7001
601*	FRAME-BLADE	0797-0300-5XX
602	KNIFE-TYPE A	0797-0029-1
603	PIN-BLADE FRAME	0797-0059-2
609*	GUIDE-KNIFE	0797-0092-0XX
612**	TOOL-BLADE CHANGING	0797-0183

* Specify Slice Thickness

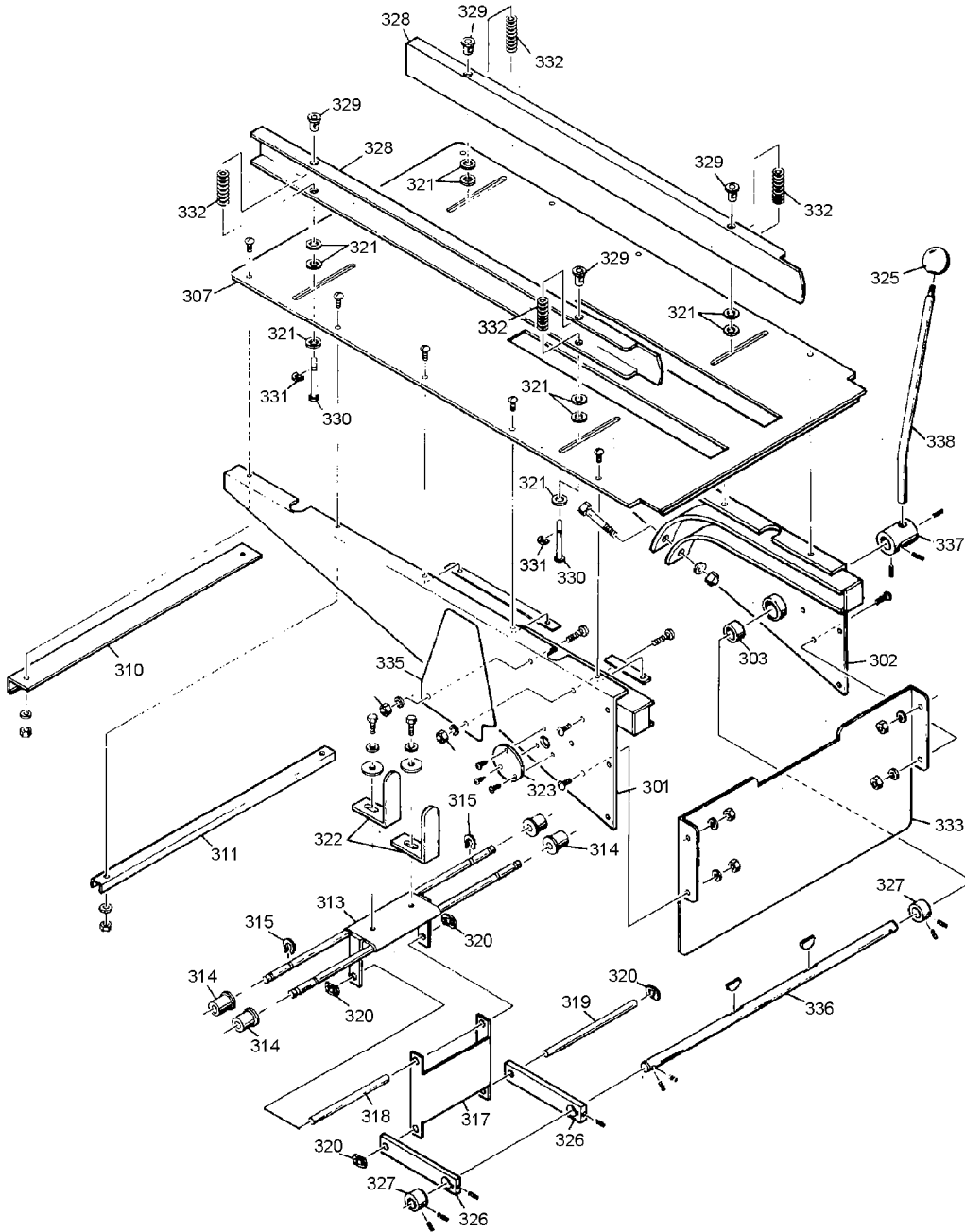
** Not Shown on Drawing

FOR SERVICE PARTS CALL OLIVER PRODUCTS @ 800-253-3893

Rev. 8/26/04

32 & 48 INCH GRAVITY INFEED CHUTE ASSEMBLY

GRAVITY CHUTE



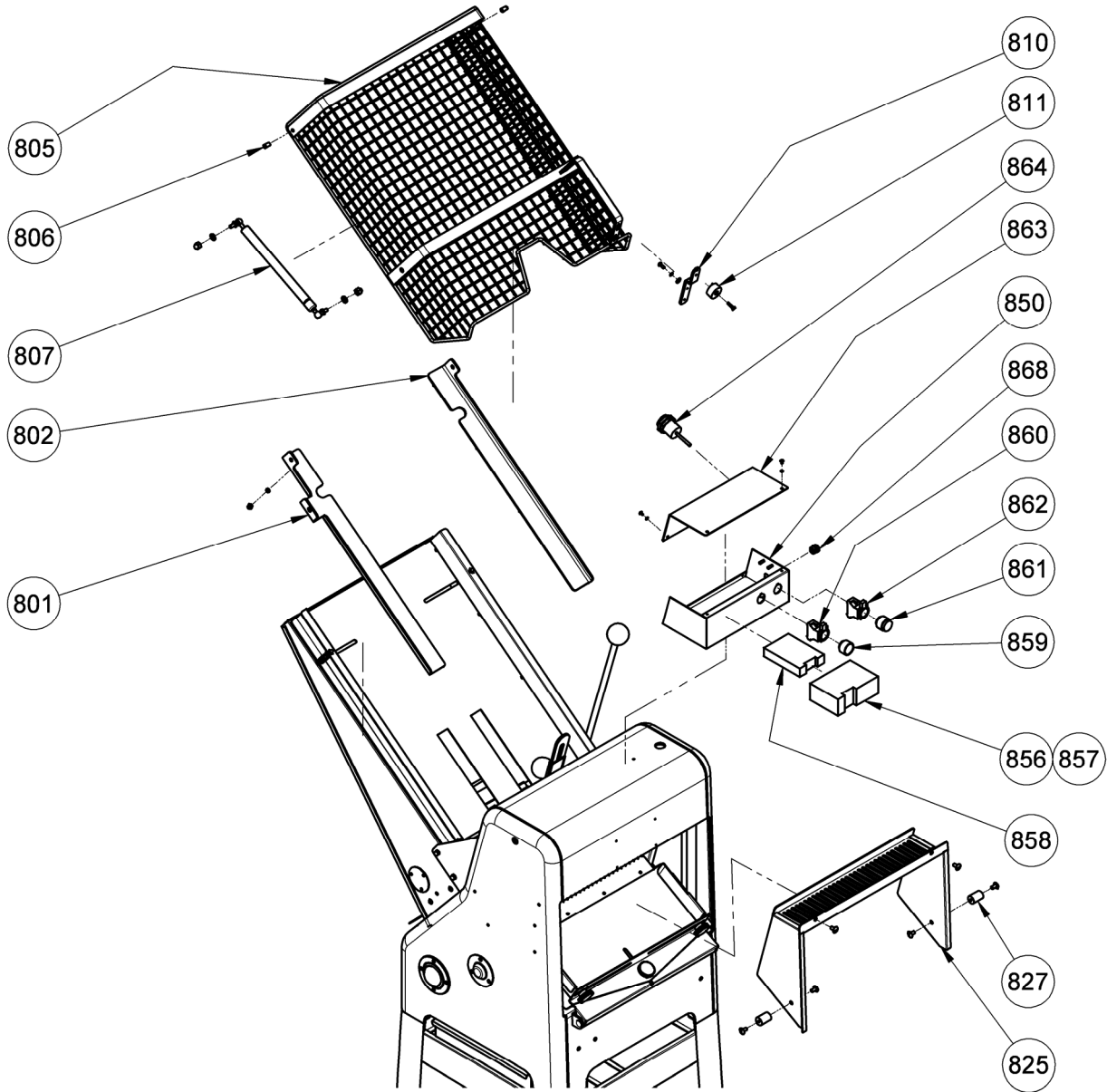
32 & 48 INCH GRAVITY INFEED CHUTE PARTS LIST

ITEM NO	PART DESCRIPTION	PART NUMBER
301	BRACE-RH 32" CHUTE	0797-2086-0011
301	BRACE-RH 48" CHUTE	0797-2088-0011
302	BRACE-LH 32" CHUTE	0797-2086-0012
302	BRACE-LH 48" CHUTE	0797-2088-0012
303	BEARING-BRONZE	5254-0300
307	TOP-32" GRAVITY CHUTE	0797-3004-001
307	TOP-48" GRAVITY CHUTE	0797-3008-007
310	BRACE-CHUTE TOP	0797-0237-1
311	BRACE-CHUTE END	0797-0377
313	CARRIAGE-PUSHER	0797-3063
314	WHEEL-CARRIAGE	5504-1700
315	RING-RETAINING	5840-1125
317	LINK	0797-3062
318	SHAFT-SHORT	4565-0508-0058
319	SHAFT- LONG	4565-0508-0063
320	CLIP-PUSH-ON	5831-8225
321	WASHER-NYLON	5851-8120
322	FINGER-PUSHER	0797-2077
323	CAP-CHUTE BRACE	0797-2080
325	KNOB	5911-7002
326	BAR-PUSHER	0797-3064
327	COLLAR-3/4" SET	5806-7012
328	GUIDE-32" SIDE	0797-3005-002
328	GUIDE-48" SIDE	0797-3010-001
329	BUSHING-SNAP	5765-1058
330	PIN-SIDE GUIDE	0797-3011-002
331	WASHER-HORSESHOE	0793-0084
332	SPRING-COMPRESSION	7012-3102
333	GUARD-CHUTE	0797-0915-002
335	GUARD-CHUTE CROTCH	0797-0947
336	SHAFT-PUSHER CROSS	0797-2076-002
337	HUB-PUSHER LEVER	0797-3070-001
338	LEVER-PUSHER	0711-0024

FOR SERVICE PARTS CALL OLIVER PRODUCTS @ 800-253-3893

REV.11/7/05

CHUTE GUARD ASSEMBLY



CHUTE GUARD PARTS LIST

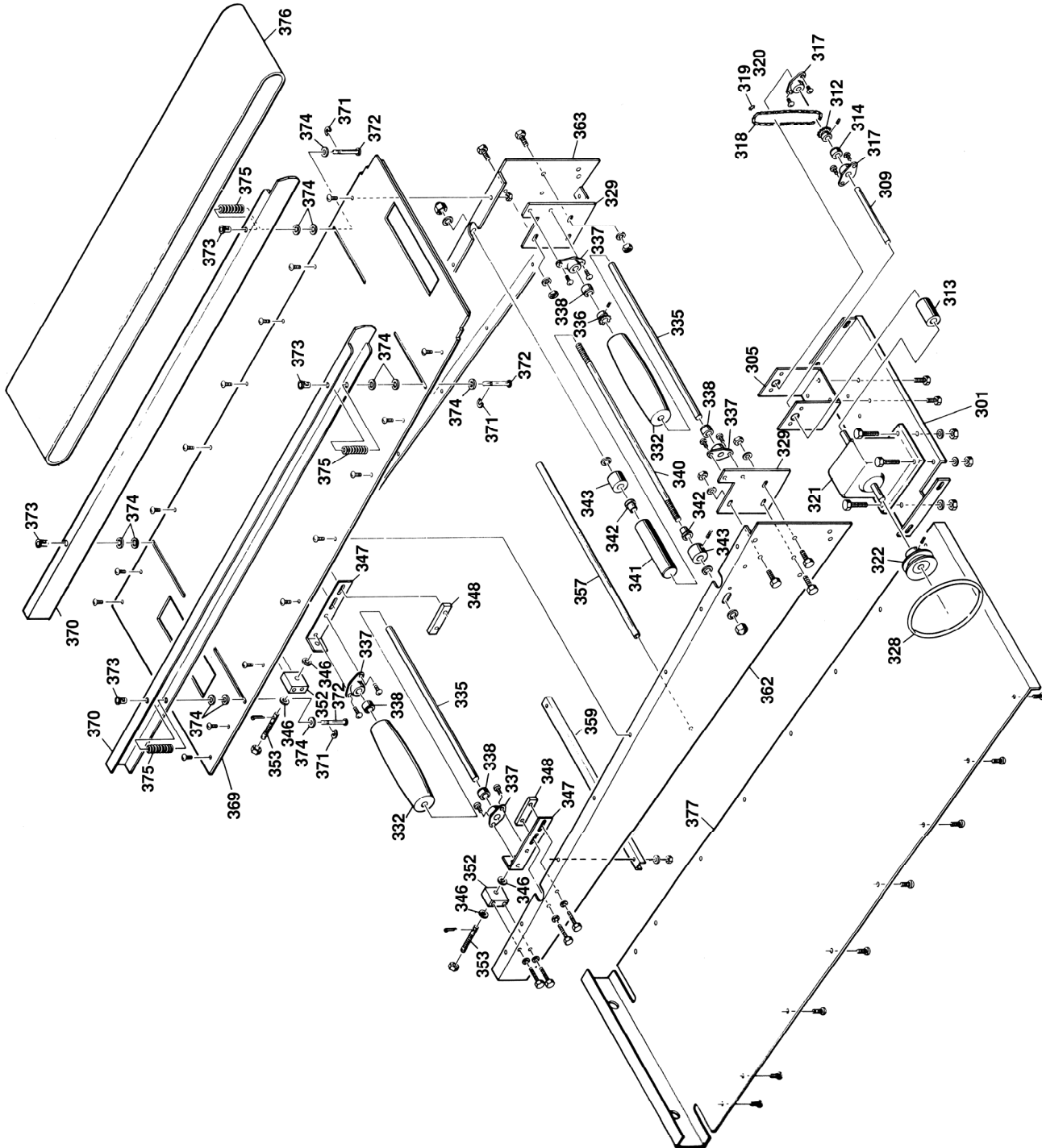
ITEM NO	PART DESCRIPTION	PART NUMBER
801	Bracket-RH 32" Mounting	0797-3444
802	Bracket-LH 32" Mounting	0797-3445
805	Guard-Wire Form	5501-4600
806	Stud-STST Pivot	0777-0067-001
807	Spring-Gas	6084-8707
810	Bracket-Magnet Mounting	0797-3446
811	Actuator-Safety Coded Magnet	5757-9397
825	Cover-Outfeed	0797-3449
827	Spacer-Threaded	0797-3450
850	Enclosure-Electrical	0797-3447
856	Contact-3 pole, 600v, 12A	5749-8268
857	Relay-Overload 7-10 Amp (115V units)	5750-1281
858	Control-Safety	5712-5200
859	Operator-Green Push Button	5708-7900
860	Base-Mounting Block N.O. Contact	5708-7930
861	Operator-Red Extended Push Button	5709-7908
862	Base-Mounting Block N.C. Contact	5708-7931
863	Cover-Electrical Enclosure	0797-3448
864	Switch-Safety Coded Magnet	5757-9396
867*	Cord-Power (115V units)	0797-3451
868	Bushing-Strain Relief	5765-1076

* Not Shown on Drawing

FOR SERVICE PARTS CALL OLIVER PRODUCTS @ 800-253-3893

THIS PAGE WAS INTENTIONALLY
LEFT BLANK.

48 INCH POWERBELT INFEEED ASSEMBLY

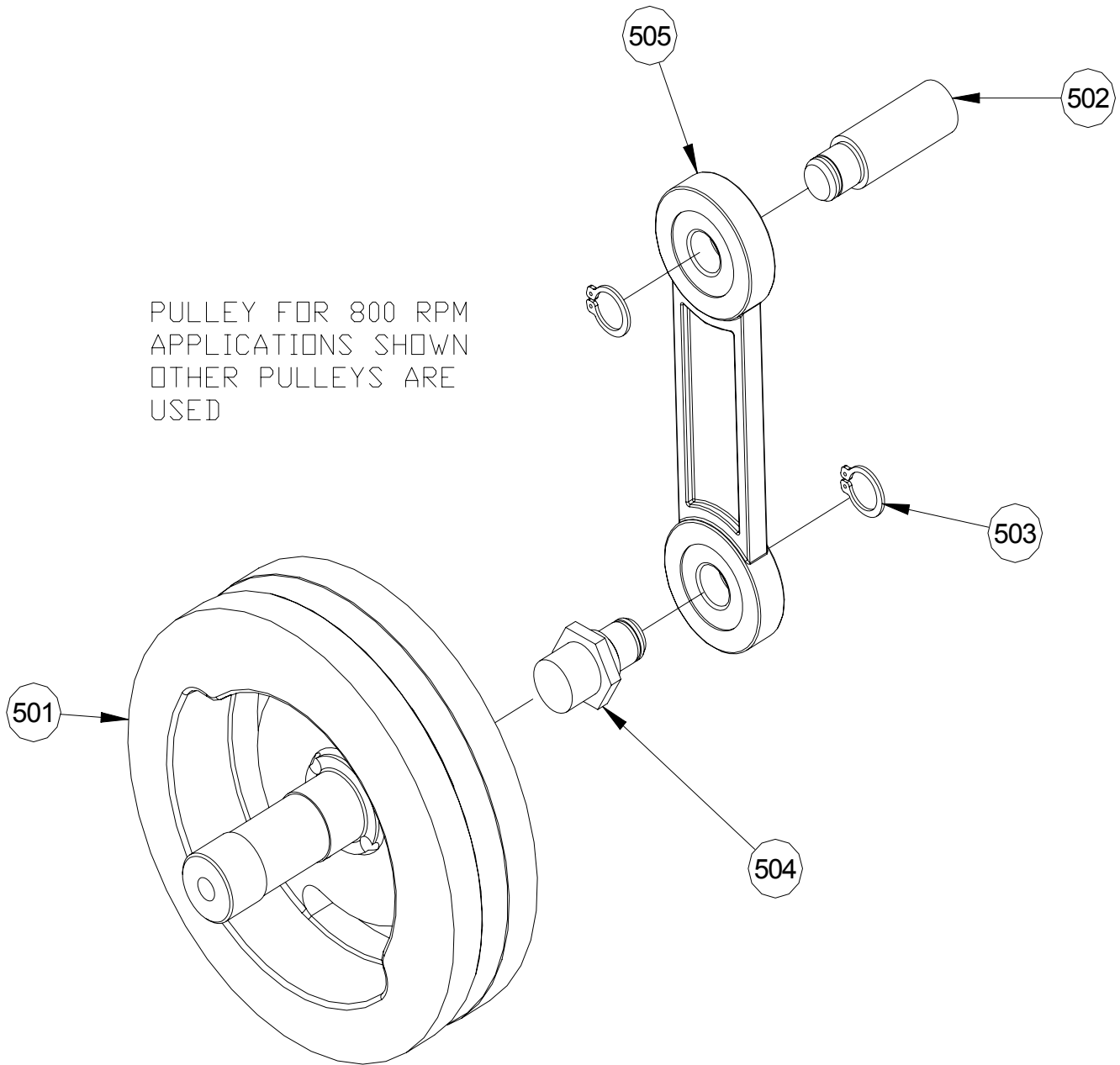


48 INCH POWERBELT INFEED PARTS LIST

ITEM NO	PART DESCRIPTION	PART NUMBER
301	CHANNEL-REDUCER	0797-3044
305	CHANNEL-SHAFT	0797-3027
309	SHAFT-DRIVE ½ DIA. X 5-5/8	0797-3375
312	SPROCKET-35B10 ½" FB	5616-6041
313	COUPLING-FLEX JAW	5604-6956
314	COLLAR-1/2" SET	5806-7008
317	BEARING-1/2" FLANGE	5251-8045
318	CHAIN-INFEED DR. 12" (32P)	0797-3397
319	LINK-SPRING CLIP	5604-0100
320	LINK-OFFSET	5604-0104
321	UNIT-GEAR	5607-3237
322	SHEAVE-4L, 2.75 PD, 5/8 FB	0797-3379
328	BELT-ORANGE URETHANE	0797-3045
329	PLATE-BEARING	0797-3037
332	PULLEY-CONVEYOR	0797-3402
335	SHAFT-PULLEY	0797-3373
336	SPROCKET-35B10 5/8" FB	4618-3510-2001
337	BEARING-5/8" FLANGE	5251-8046
338	COLLAR-5/8" SET	5806-7010
340	STUD-DOUBLE END	4625-1212-1166
341	ROLL	0883-0227-033
342	BEARING-ROLL END 3/8 BORE	5252-3030
343	COLLAR-3/8" SET	5806-7006
346	WASHER-FLAT (SPECIAL)	5251-8140
347	ANGLE-BEARING	0797-3036
348	NUT-BAR	4460-1008-2012
352	BLOCK-ADJUSTING	0797-3034
353	BOLT-ADJUSTING	0797-3035
357	ROD-BRACE	0797-0261
359	BRACE	0797-0377
362	BRACE-CHUTE RH	0797-3009-0011
363	BRACE-CHUTE LH	0797-3009-0012
369	CHUTE-TOP	0797-3008-003
370	GUIDE-SIDE 48"	0797-3010-001
371	WASHER-BRASS HORSESHOE	0793-0084
372	PIN-SIDE GUIDE	0797-3011-002
373	BUSHING-SNAP	5765-1058
374	WASHER-NYLON FLAT	5851-8120
375	SPRING-COMPRESSION	7012-3102
376	BELT-CONVEYOR	5600-9468
377	PAN-BOTTOM	0797-3026
378*	WEIGHT-COUNTER	0797-3080-001
379*	TOOL-KNIFE (POWERBELT)	0797-0183-004

* Not Shown on Drawing
FOR SERVICE PARTS CALL OLIVER PRODUCTS @ 800-253-3893

DRIVEN PULLEY ASSEMBLY



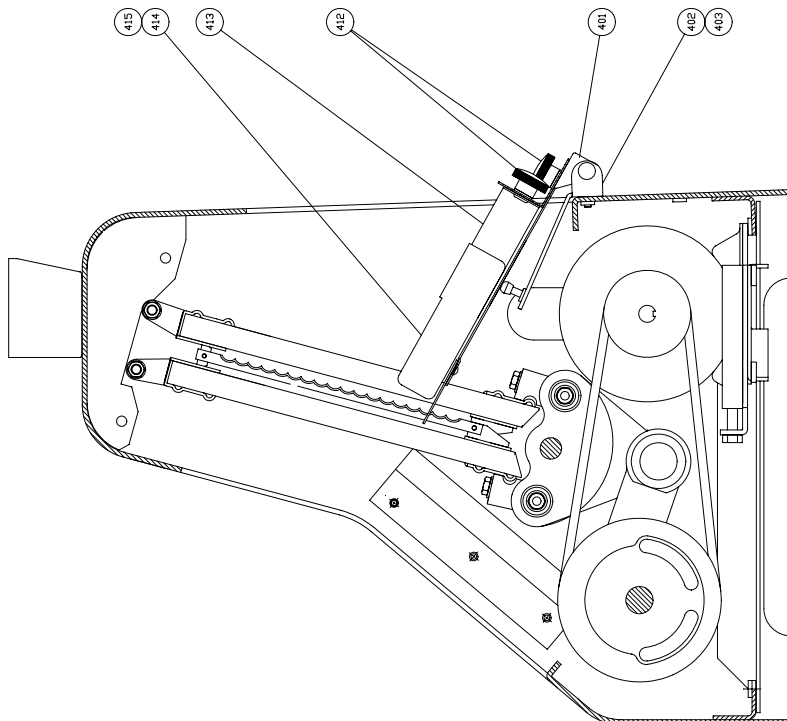
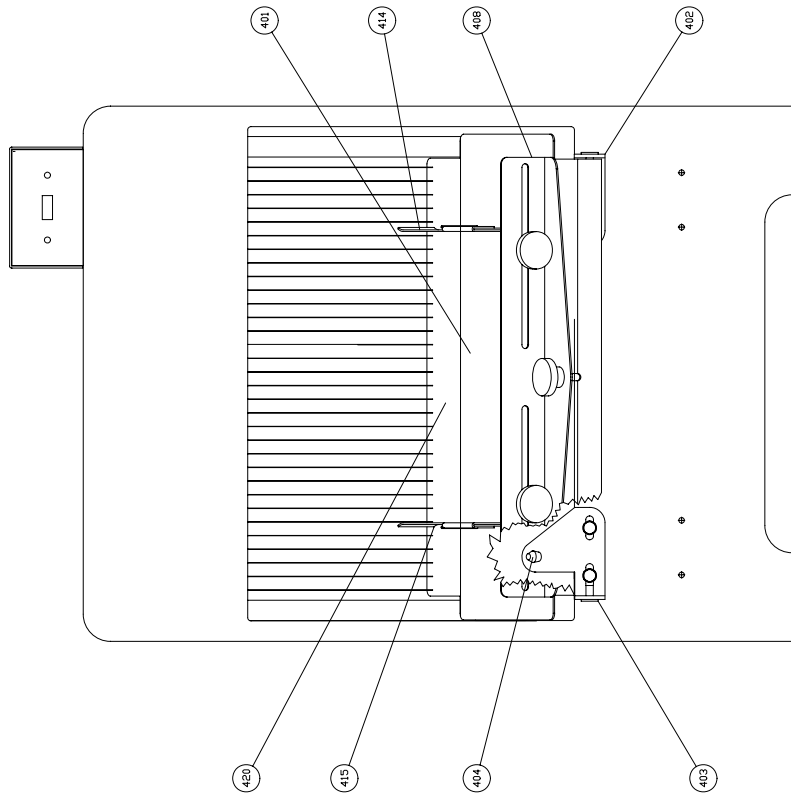
REV. 2/9/04

DRIVEN PULLEY PARTS LIST

ITEM NO	PART DESCRIPTION	PART NUMBER
501	PULLEY (32" CHUTES)	0797-0049-103
501	PULLEY (48" CHUTES)	0797-3370
502	STUD-SWING	0797-0057-2
503	RING-RETAINING	5840-2825
504	STUD	0797-0058-1
505	ROD-CONNECTING	0797-0071-3

FOR SERVICE PARTS CALL OLIVER PRODUCTS @ 800-253-3893
REV. 2/9/04

STANDARD OUTFEED ASSEMBLY



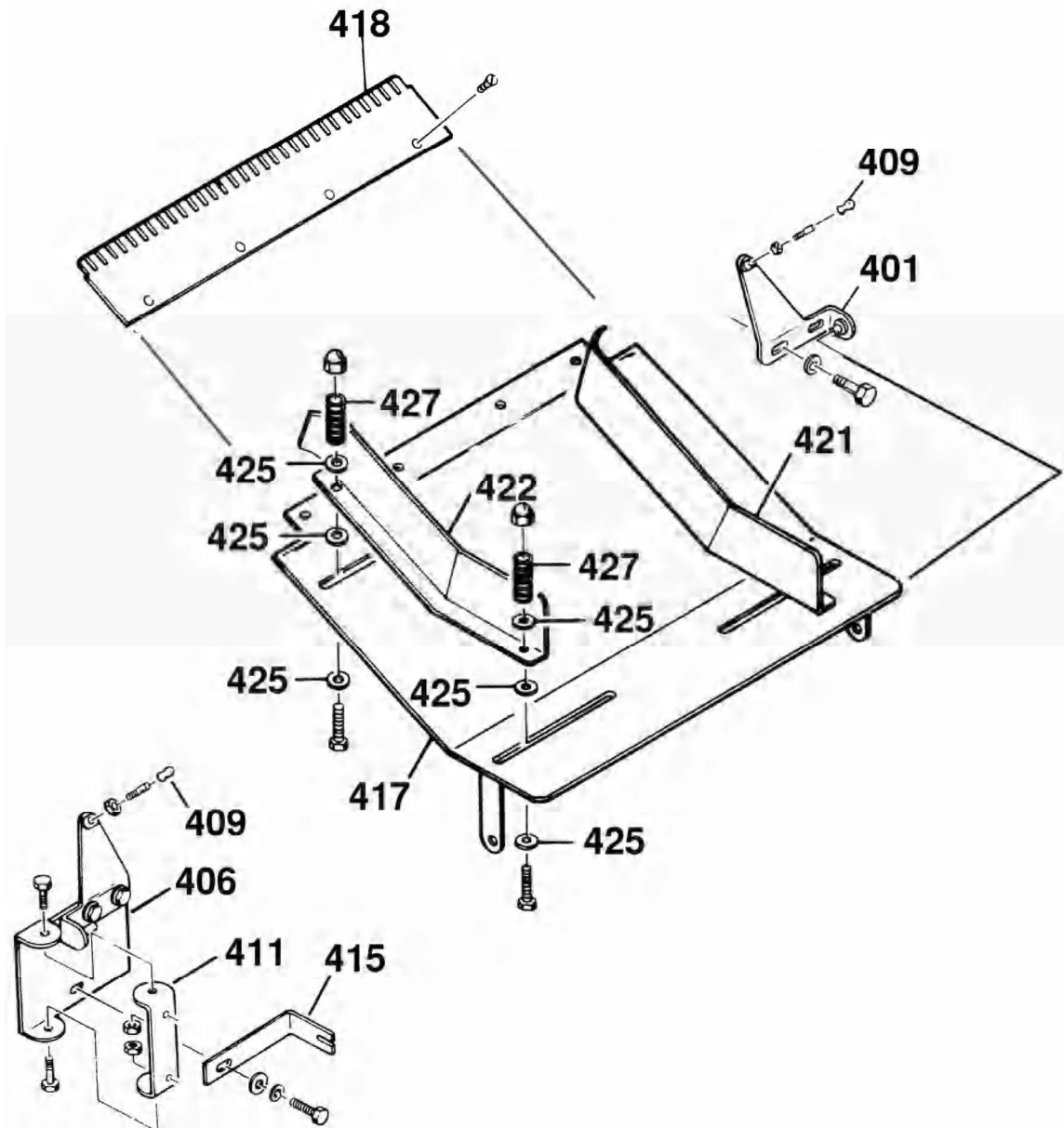
STANDARD OUTFEED PARTS LIST

ITEM NO	PART DESCRIPTION	PART NUMBER
401	TABLE-STANDARD OUTFEED	0797-0143-1
402	BRACKET- RH OUTFEED TABLE	0797-3013-0001
403	BRACKET- LH OUTFEED TABLE	0797-3013-0002
404	CAP-NEOPRENE	5106-8920
408	STOP-BREAD	0797-0141
412	KNOB	5911-7000
413	GUIDE-BREAD	0797-0284
414	EXTENSION-RH GUIDE	0797-0285-0001
415	EXTENSION-LH GUIDE	0797-0285-0002
420*	LIP-TABLE	0797-3001-0XX

* Specify Slice Thickness

FOR SERVICE PARTS CALL OLIVER PRODUCTS @ 800-253-3893

BAGGER OUTFEED ASSEMBLY



BAGGER OUTFEED PARTS LIST

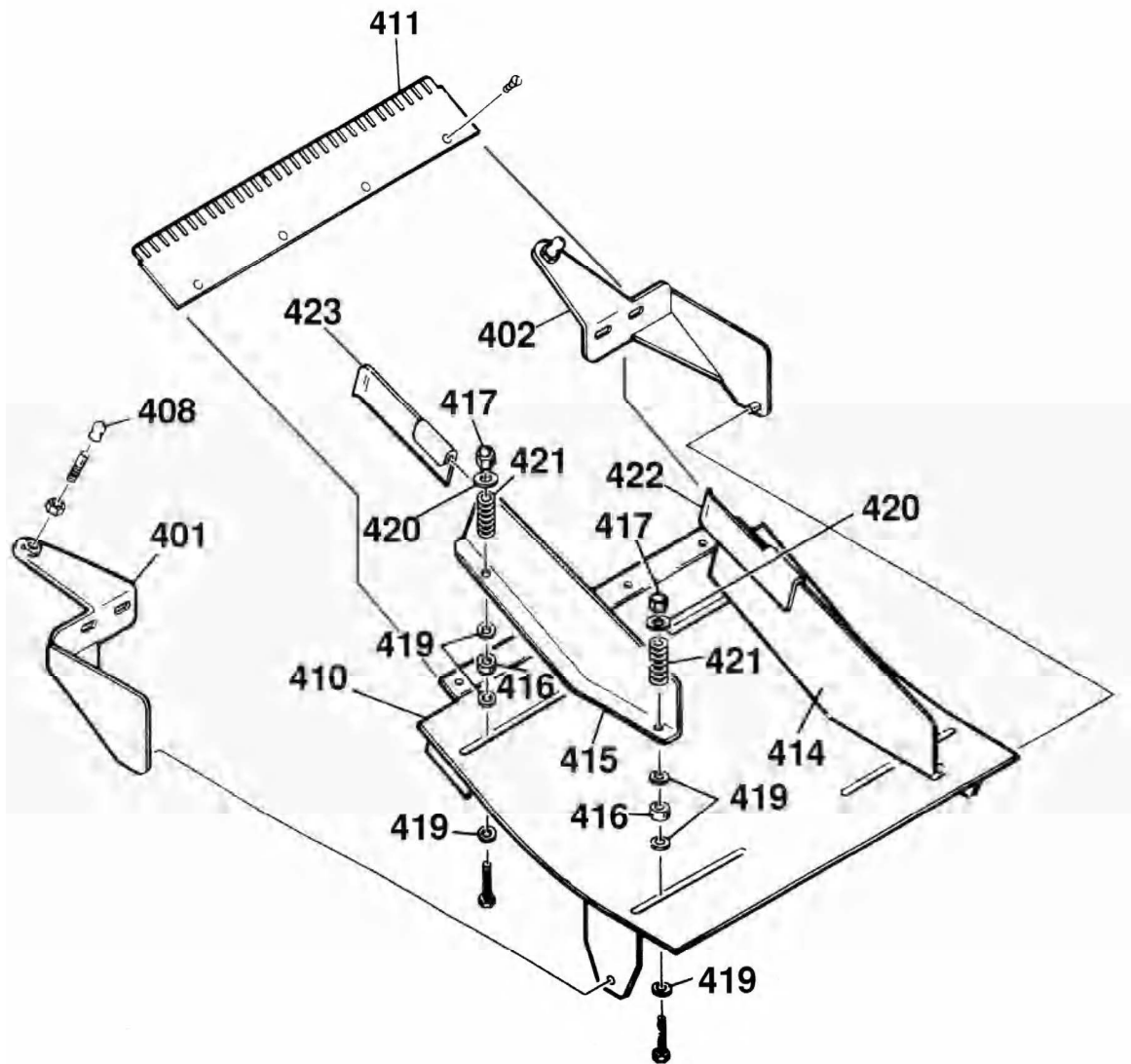
ITEM NO	PART DESCRIPTION	PART NUMBER
401	BRACKET	0797-3013-0001
406	BRACKET-PIVOT RH	1179-0010-0001
409	CAP-NEOPRENE	5106-8920
411	BRACKET-CASE MOUNTING	1179-0011
415	BRACKET-CASE	1179-0012
417	TABLE-OUTFEED	1179-0008
418*	LIP-TABLE	0797-3001-0XX
421	GUIDE-SIDE RH	1179-0009-0001
422	GUIDE-SIDE LH	1179-0009-0002
425	WASHER-NYLON	5851-8120
427	SPRING-COMPRESSION	7013-2100
428**	WEIGHT-COUNTER	0797-3080-001

* Specify Slice Thickness

** Not Shown on Drawing

FOR SERVICE PARTS CALL OLIVER PRODUCTS @ 800-253-3893

CURVED OUTFEED ASSEMBLY



CURVED OUTFEED PARTS LIST

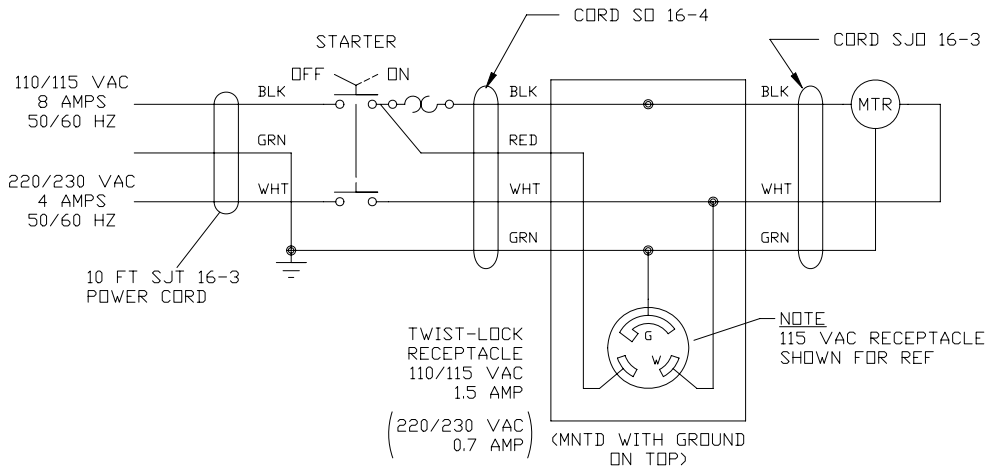
ITEM NO	PART DESCRIPTION	PART NUMBER
401	BRACKET-HINGE RH	0797-3040-1001
402	BRACKET-HINGE LH	0797-3040-1002
408	CAP-NEOPRENE	5106-8920
410	TABLE-CURVED	0797-3029-1
411*	LIP-TABLE	0797-3001-0XX
414	GUIDE-SIDE RH	0797-3030-1001
415	GUIDE-SIDE LH	0797-3030-1002
416	COLLAR-FILLING	4130-0708-0003
417	NUT-ACORN ¼-20	5832-0590
419	WASHER-NYLON	5851-8120
420	WASHER-STAINLESS STEEL	5851-9304
421	SPRING-COMPRESSION	7013-2100
422	EXTENSION-RH	0797-0285-0001
423	EXTENSION-LH	0797-0285-0002

* Specify Slice Thickness

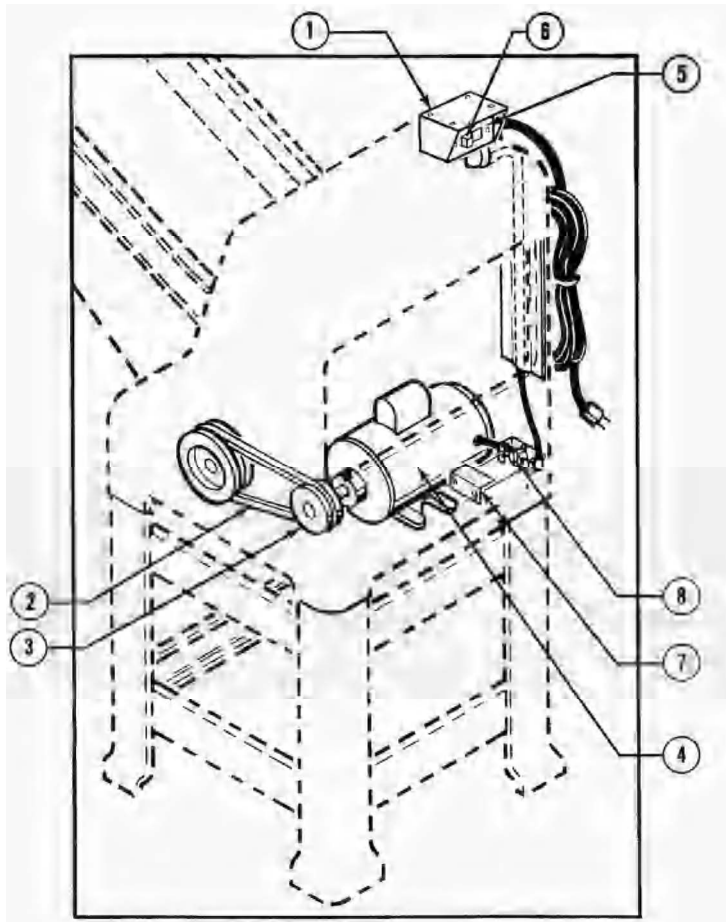
FOR SERVICE PARTS CALL OLIVER PRODUCTS @ 800-253-3893

SINGLE PHASE ELECTRICAL

Wiring Diagram (Single Phase)



Single Phase Electrical Assembly Drawing



Parts List 1/2 HP, 115 VAC, 60 Hertz, 1 Phase

<u>ITEM NO</u>	<u>PART DESCRIPTION</u>	<u>PART NUMBER</u>
1	ENCLOSURE-SWITCH	0797-3393-001
2	BELT-V (4L36-1/2)	5601-1966
3	PULLEY-MOTOR (32" CHUTES)	4575-7103-2001
3	PULLEY-MOTOR (48" CHUTES)	4575-7103-2004
4	MOTOR	6301-3609
5	COVER-SWITCH ENCLOSURE	0797-3394-001
6	SWITCH-STARTER	5709-1125
7	COVER-RECEPTACLE ENCLOSURE	0797-3385
8	RECEPTACLE-110/115 VAC	5769-0524

Parts List 1/2 HP, 230 VAC, 60 Hertz, 1 Phase

<u>ITEM NO</u>	<u>PART DESCRIPTION</u>	<u>PART NUMBER</u>
1	ENCLOSURE-SWITCH	0797-3393-001
2	BELT-V (4L36-1/2)	5601-1966
3	PULLEY-MOTOR (32" CHUTES)	4575-7103-2001
3	PULLEY-MOTOR (48" CHUTES)	4575-7103-2004
4	MOTOR	6301-3609
5	COVER-SWITCH ENCLOSURE	0797-3394-001
6	SWITCH-STARTER	5709-1125
7	COVER-RECEPTACLE ENCLOSURE	0797-3385
8	RECEPTACLE-220/230 VAC	5769-0523

Parts List 1/2 HP, 110 VAC, 50 Hertz, 1 Phase

<u>ITEM NO</u>	<u>PART DESCRIPTION</u>	<u>PART NUMBER</u>
1	ENCLOSURE-SWITCH	0797-3393-001
2	BELT-V (4L36-1/2) (32" CHUTES)	5601-1966
2	BELT-V (XDV48-380) (48" CHUTES)	5601-1969
3	PULLEY-MOTOR (32" CHUTES)	4575-7104-2002
3	PULLEY-MOTOR (48" CHUTES)	4575-7104-2005
4	MOTOR	6301-3940
5	COVER-SWITCH ENCLOSURE	0797-3394-001
6	SWITCH-STARTER	5709-1125
7	COVER-RECEPTACLE ENCLOSURE	0797-3385
8	RECEPTACLE-110/115 VAC	5769-0524

Parts List 1/2 HP, 220 VAC, 50 Hertz, 1 Phase

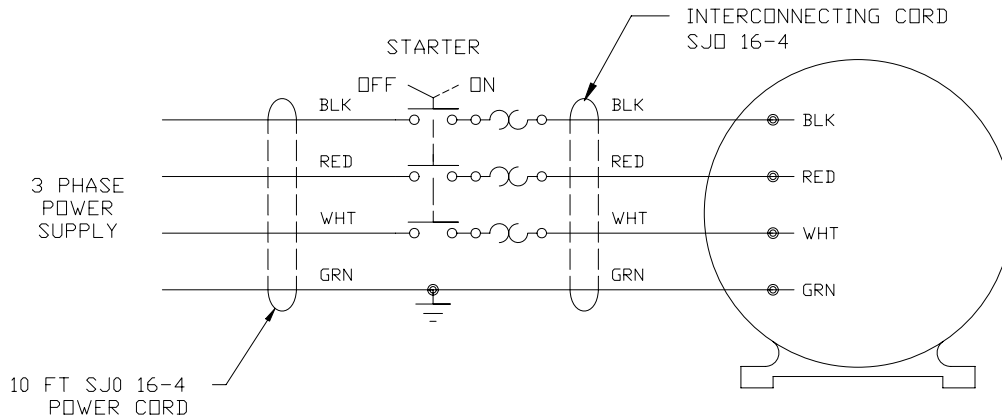
<u>ITEM NO</u>	<u>PART DESCRIPTION</u>	<u>PART NUMBER</u>
1	ENCLOSURE-SWITCH	0797-3393-001
2	BELT-V (4L36-1/2) (32" CHUTES)	5601-1966
2	BELT-V (XDV48-380) (48" CHUTES)	5601-1969
3	PULLEY-MOTOR (32" CHUTES)	4575-7104-2002
3	PULLEY-MOTOR (48" CHUTES)	4575-7104-2005
4	MOTOR	6301-3940
5	COVER-SWITCH ENCLOSURE	0797-3394-001
6	SWITCH-STARTER	5709-1125
7	COVER-RECEPTACLE ENCLOSURE	0797-3385
8	RECEPTACLE-220/230 VAC	5769-0523

For Service Parts Call Oliver Products @ 800-253-3893

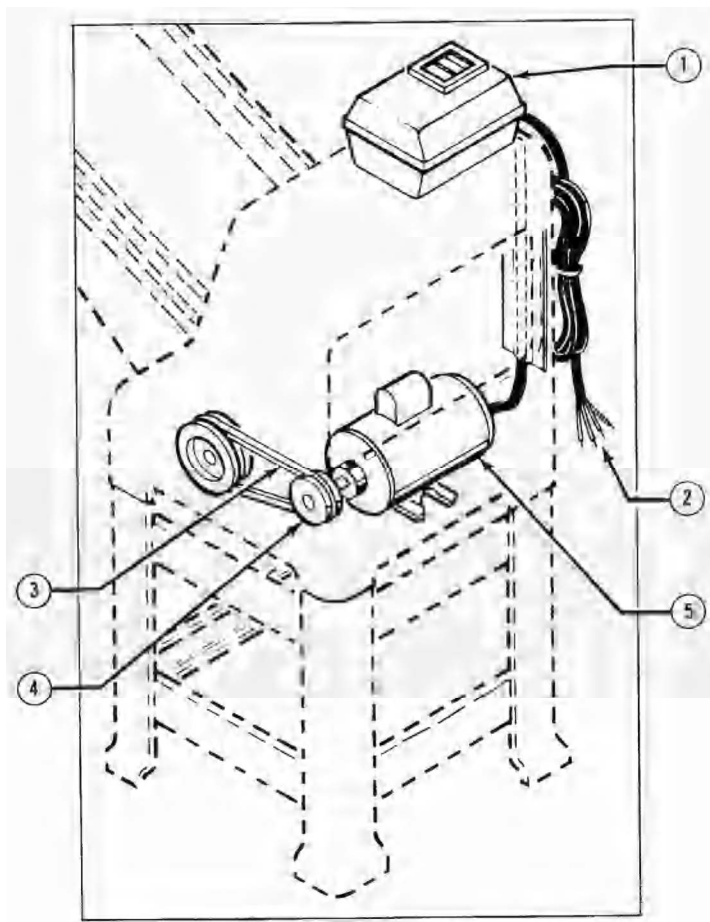
Rev 10-13-04

THREE PHASE ELECTRICAL

Wiring Diagram (Three Phase)



Three Phase Electrical Assembly Drawing



Parts List 1/2 HP, 208 VAC, 60 Hertz, 3 Phase

ITEM NO	PART DESCRIPTION	PART NUMBER
1	STARTER	5709-3034
2	CORD-POWER	0797-3426
3	BELT-V (4L36-1/2)	5601-1966
4	PULLEY-MOTOR (32" CHUTES)	4575-7103-2001
4	PULLEY-MOTOR (48" CHUTES)	4575-7103-2004
5	MOTOR	6301-3811

Parts List 1/2 HP, 230/460 VAC, 60 Hertz, 3 Phase

ITEM NO	PART DESCRIPTION	PART NUMBER
1	STARTER	5709-3034
2	CORD-POWER	0797-3426
3	BELT-V (4L36-1/2)	5601-1966
4	PULLEY-MOTOR (32" CHUTES)	4575-7103-2001
4	PULLEY-MOTOR (48" CHUTES)	4575-7103-2004
5	MOTOR	6301-3800

Parts List 1/2 HP, 220 VAC, 50 Hertz, 3 Phase

ITEM NO	PART DESCRIPTION	PART NUMBER
1	STARTER	5709-3034
2	CORD-POWER	0797-3426
3	BELT-V (4L36-1/2) (32" CHUTES)	5601-1966
3	BELT-V (XDV48-380) (48" CHUTES)	5601-1969
4	PULLEY-MOTOR (32" CHUTES)	4575-7104-2002
4	PULLEY-MOTOR (48" CHUTES)	4575-7104-2005
5	MOTOR	6301-3811

Parts List 1/2 HP, 380 VAC, 50 Hertz, 3 Phase

ITEM NO	PART DESCRIPTION	PART NUMBER
1	STARTER	5709-3034
2	CORD-POWER	0797-3426
3	BELT-V (4L36-1/2) (32" CHUTES)	5601-1966
3	BELT-V (XDV48-380) (48" CHUTES)	5601-1969
4	PULLEY-MOTOR (32" CHUTES)	4575-7104-2002
4	PULLEY-MOTOR (48" CHUTES)	4575-7104-2005
5	MOTOR	6301-3975

For Service Parts Call Oliver Products @ 800-253-3893

Rev 10-13-04