



Grand Rapids, Michigan, U.S.A. 49504-5298

USER'S OPERATING AND INSTRUCTION MANUAL

MODEL 711

COUNTER TOP SLICER

INDEX

SAFETY INSTRUCTIONS..... GEN861015

SLICER INSTALLATION.....0711S20002

SLICER SPECIFICATIONS..... 0711S20003

OPERATION INSTRUCTIONS..... 0711S20004

MAINTENANCE..... 0711S20005

 Removing Blade Frames0711S20005-1

 Replacing Blade Frames.....0711S20005-4

 Changing The Blades.....0711S20005-4

 Tightening The Belt.....0711S20005-6

 Replacing The Belt.....0711S20005-7

 Replacing The Gas Spring..... 0711S20005-7

 Lubrication..... 0711S20005-10

 Cleaning.....0711S20005-10

ADJUSTMENTS.....0711S20006

 Slices Vary In Thickness..... 0711S20006-1

 Adjusting The Gas Spring..... 0711S20006-1

 Clearance Between Blade Frames.....0711S20006-2

TROUBLE SHOOTING GUIDE..... 0711S20007

RECOMMENDED SPARE PARTS LIST..... 0711S20012

EXPLODED ASSEMBLY DRAWING..... 0711S20013

MECHANICAL PARTS LIST..... 0711S20008

60/50 CY ELECTRICAL PARTS LIST (Standard Machines).....0711S20009

 Exploded Drawing 60/50 Cy.....0711S20009-1

 Wiring Diagram 1-60/50-115/110 & 1-60/50-230/220.....0711S20009-1

 Electrical Parts List 1/60/115.....0711S20009-2

 Electrical Parts List 1/60/230..... 0711S20009-3

 Electrical Parts List 1/50/110.....0711S20009-4

 Electrical Parts List 1/50/220.....0711S20009-5

“SELF SERVE” OPTION.....0711S20011

 Parts List & Exploded Drawing.....0711S20011-1

 Wiring Diagram 1-60/50-115/110 & 1-60/50-230/220.....0711S20011-2

WARRANTY..... GEN040225

WARRANTY PROCEDURE..... GEN040226

RETURNED PARTS POLICY GEN040227

THIS PAGE WAS INTENTIONALLY
LEFT BLANK.

SAFETY INSTRUCTIONS

Various safety devices and methods of guarding have been provided on this machine. It is essential, however, that machine operators and maintenance personnel observe the following safety precautions. Improper installation or operation of this equipment may cause injury to personnel or damage to equipment.

1. Read this manual before attempting to operate your machine. Never allow an untrained person to operate or service this machine.
2. Connect the machine to a properly grounded electrical supply that matches the requirements shown on the electrical specification plate and follow specifications of local electrical codes.
3. Disconnect and lock-out the machine from the power supply before cleaning or servicing.
4. Check and secure all guards before starting the machine.
5. Observe all caution and warning labels affixed to the machine.
6. Use only proper replacement parts.
7. Do not wear loose fitting clothing or loose hair. Shirt tails should be tucked in.
8. Wear proper personal safety equipment.
9. Keep Hands away from the moving parts of this machine while it is in operation.
10. In addition to these general safety instructions, also follow the more specific safety instructions given for the different areas of the machine in the operating instructions.

<u>WARNING</u>

DO NOT USE FOR OTHER THAN ORIGINALLY INTENDED PURPOSE

THIS PAGE WAS INTENTIONALLY
LEFT BLANK.

SLICER INSTALLATION

WARNING

THE SLICER IS HEAVY. USE PROPER LIFTING TECHNIQUES, KEEP BACK STRAIGHT, KNEES BENT, AND LIFT WITH YOUR LEGS. USE GLOVES TO PROTECT YOUR HANDS

CAUTION

NEVER LIFT THE SLICER BY ITS SIDE COVERS.

CAUTION

BEFORE PLACING THE SLICER ON THE TABLE OR COUNTER, MAKE SURE THE TABLE OR COUNTER CAN SUPPORT THE SLICER'S WEIGHT WHICH IS APPROXIMATELY 255 POUNDS.

Lift the slicer from its resting surface with one person standing on each end of the slicer as shown below. set the slicer onto the counter or table as close as possible to its desired location.



If the machine is not in its final location, slide it to the desired position. Make the final height adjustments and leveling by turning the levelers clockwise to lower and counterclockwise to increase the height. Use a 3/8" wrench for this adjustment.

SLICER SPECIFICATIONS

Physical specifications

Net Weight:

Approximately 255 pounds.

Slice Spacings:

Standard 3/8" (minimum), 7/16", & 1/2"

Others available (at extra cost), consult factory

Product Capacities:

Length 16"

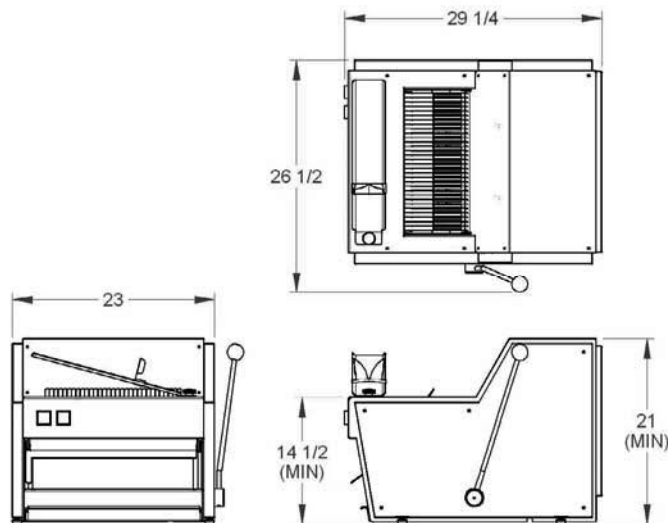
*Width 5-1/2"

*Height 5-1/2"

NOTE

*Width and height dimensions are for a square product. Lower and wider products may also be sliced by taking care in loading the product. Individual determinations would have to be made.

OVERALL MACHINE DIMENSIONS



Electrical Specifications

Standard

1/2 Horse Power, 1 phase, 60 hertz, 115 Volts AC, 7 Amps.

1/2 Horse Power, 1 phase, 60 hertz, 230 Volts AC, 3.5 Amps.

1/2 Horse Power, 1 phase, 50 hertz, 220 Volts AC, 3.5 Amps.

OPERATING INSTRUCTIONS

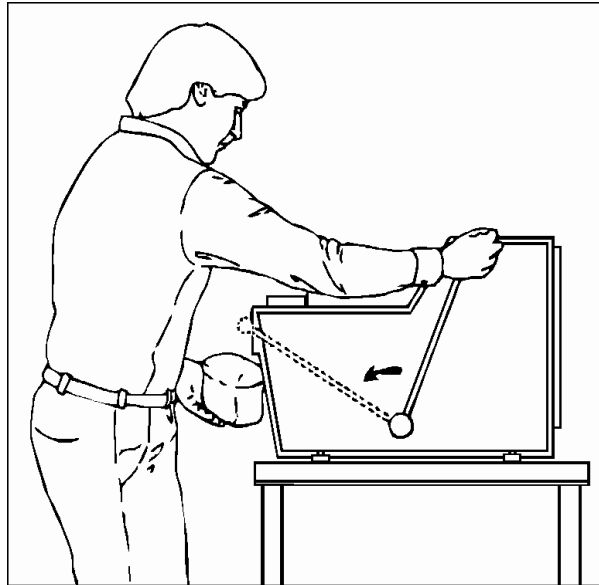
WARNING

ALWAYS USE CARE WHENEVER WORKING NEAR THE CUTTING KNIVES.

To operate the machine, stand in front of the machine and grasp the lever with your right hand. Pull the lever all the way down and hold it in that position. Using your left hand load the product into the machine. See below.

WARNING

NEVER START THE MACHINE BEFORE LOADING THE PRODUCT.



Make sure that the product does not hang over either edge of the cradle. While holding the lever completely forward (the machine will not start unless this is done), push the START button with your left hand.

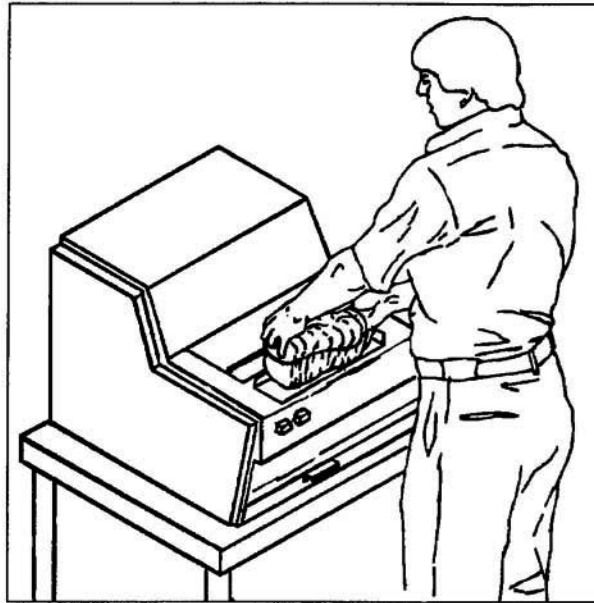
After starting, allow the hand lever to return slowly until the knives have contacted and penetrated the product. At this point allow the lever to return at its own speed.

CAUTION

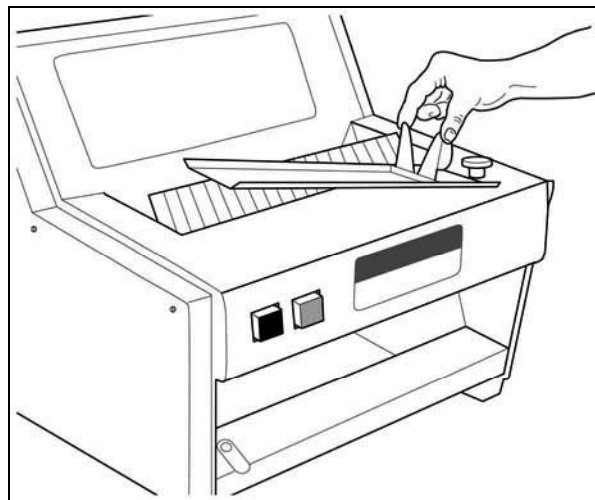
NEVER PUSH THE HAND LEVER.

OPERATING INSTRUCTIONS (Continued)

When the slicing operation is complete, the machine will automatically stop. When this happens, remove the product from the cradle. Use of the standard bagging scoop will ease packaging of your product. See figure below.



The bagging scoop is adjustable to accommodate various size loaves. To adjust, apply pressure to the bread stop and slide along scoop. See figure below.



MAINTENANCE

WARNING

ALWAYS UNPLUG THE SLICER BEFORE PERFORMING ANY TYPE OF MAINTENANCE TASK.

REMOVING BLADE FRAMES

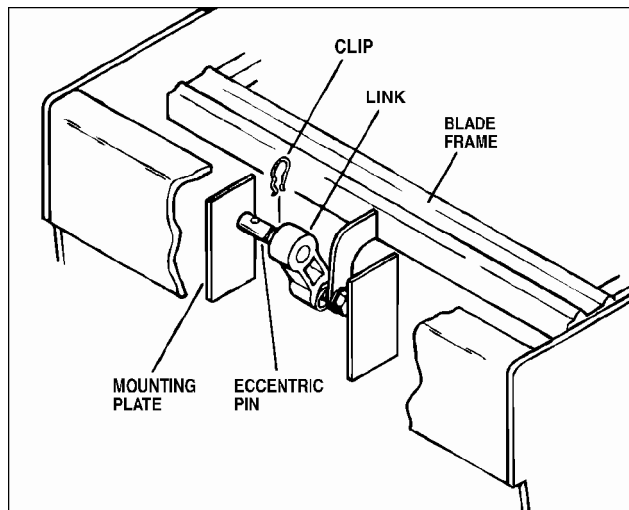
Remove the top guard and front guard by removing the twelve slotted head screws which hold them in place. See the illustration on the next page.

In addition to the above, the infeed table must be removed to allow removal of the lower blade frame. This can be done by removing the two slotted head screws securing it and pulling the table down out of the clips and out through the infeed opening. See the illustration on the next page.

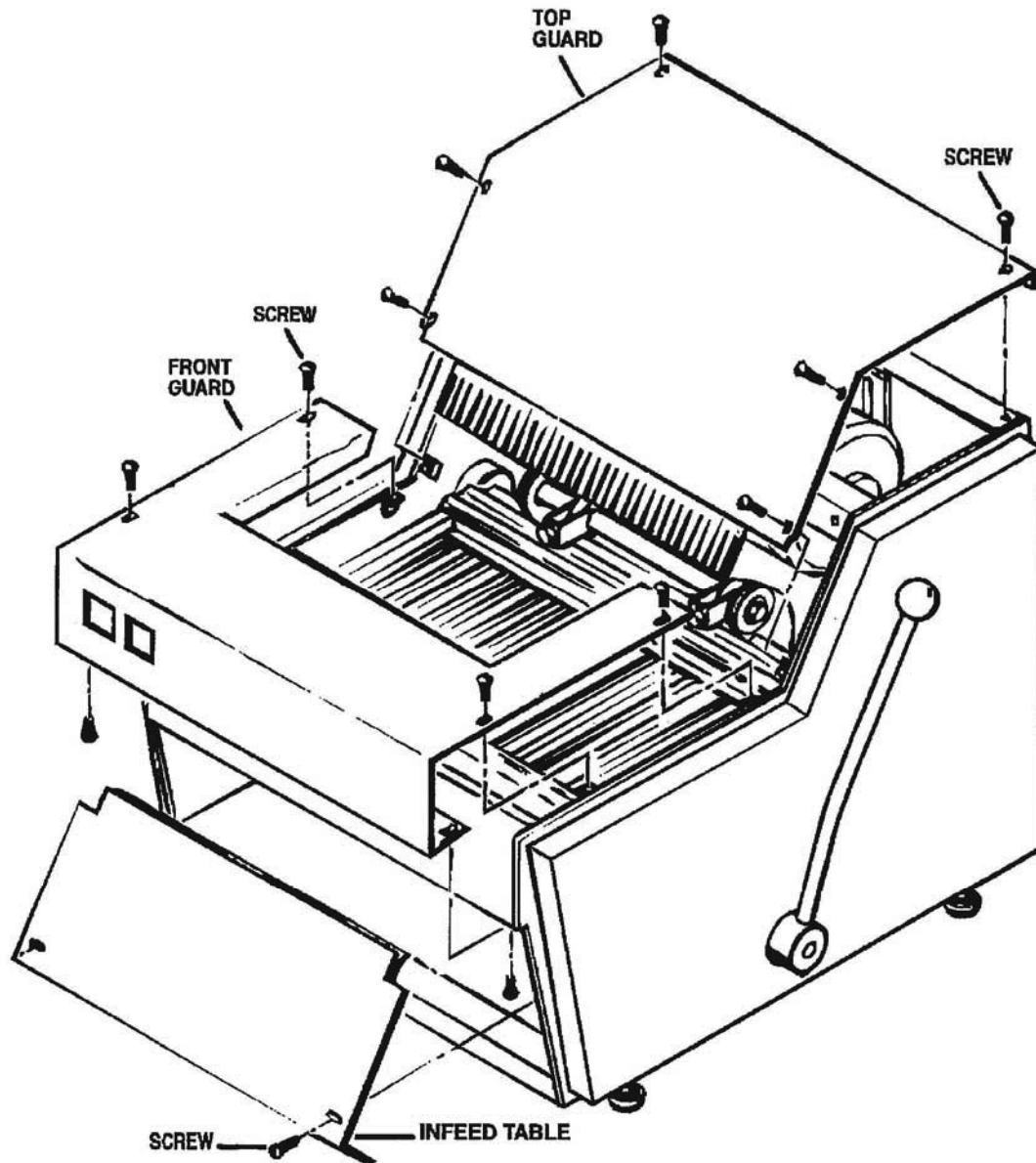
NOTE

Removal of the lower blade frame is not required to change its blades.

Pull the clip from the eccentric pin and slide the link toward the eccentric pin mounting plate. See the illustration below.



REMOVING BLADE FRAMES (Continued)

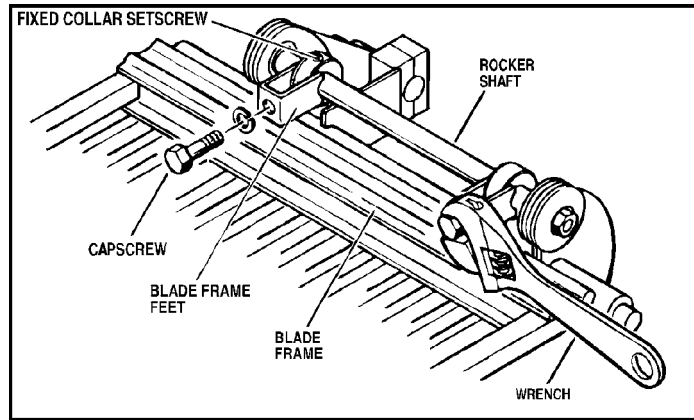


Use a wrench to loosen and remove the two capscrews which fasten the blade frame feet to the rocker shaft. See next illustration.

CAUTION

DO NOT LOOSEN THE FIXED COLLAR SOCKET SETSCREW

REMOVING BLADE FRAMES (Continued)



WARNING

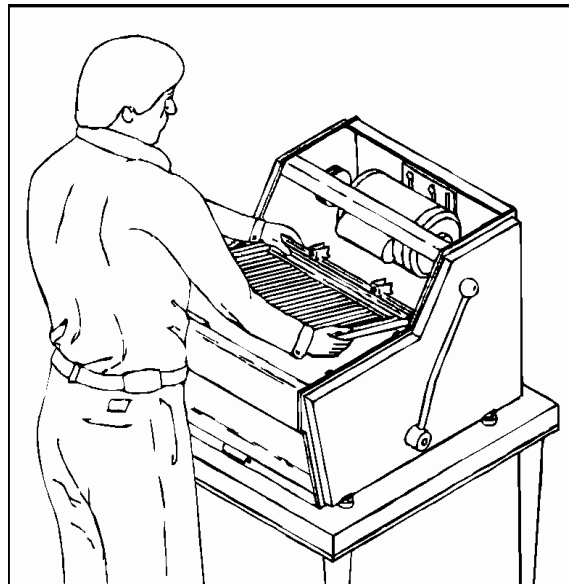
BLADES ARE EXTREMELY SHARP. **ALWAYS** HANDLE BLADE FRAMES WITH CARE

Carefully lift the upper blade frame from the slicer. See the next illustration.

NOTE

Removal of the lower blade frame is not required to change its blades.

Remove the lower blade frame by first removing the capscrews. Do this with the cradle in its normal top position, then remove the clip and link, and lift the blade frame from the slicer in a manner similar to the upper frame removal.



REPLACING BLADE FRAMES

To replace the blade frames, reverse the removal procedures. ensure that the feet of the blade frames rest snugly on the swing shafts. Tighten capscrews at the feet securely with a wrench. Top links must be attached to the blade frames with clips back in position.

CHANGING THE BLADES

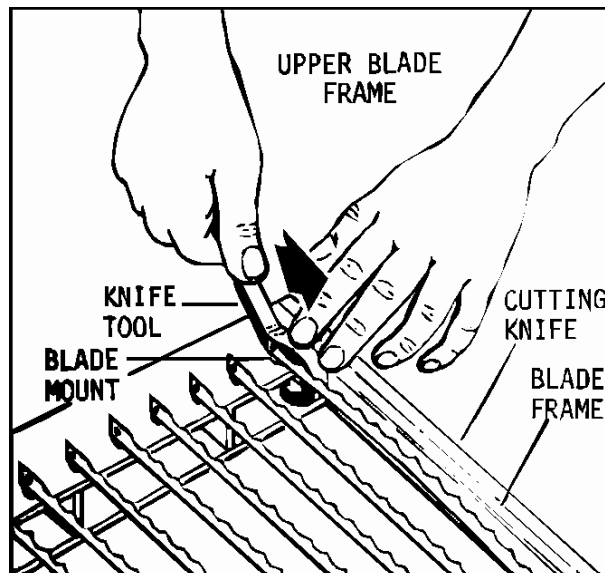
WARNING

BLADES ARE EXTREMELY SHARP. **ALWAYS** HANDLE WITH CARE.

NOTE

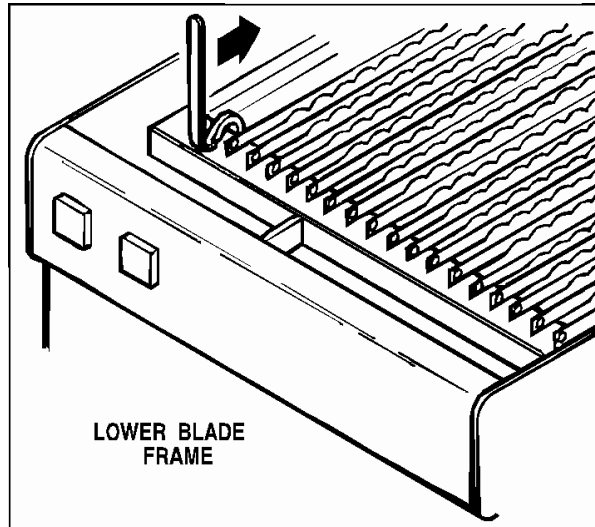
When replacing all the blades, always remove the center blades first and work towards the ends. Remove and install one blade at a time, **NEVER** remove all the blades at once and then attempt to replace them all at once.

Place the upper blade frame on a flat surface. Insert the special knife tool into the blade frame. See the illustration below. Lifting up on the knife tool will deflect the upper blade mount, reducing tension on the cutting knife. Carefully remove the cutting knife from the blade mount.

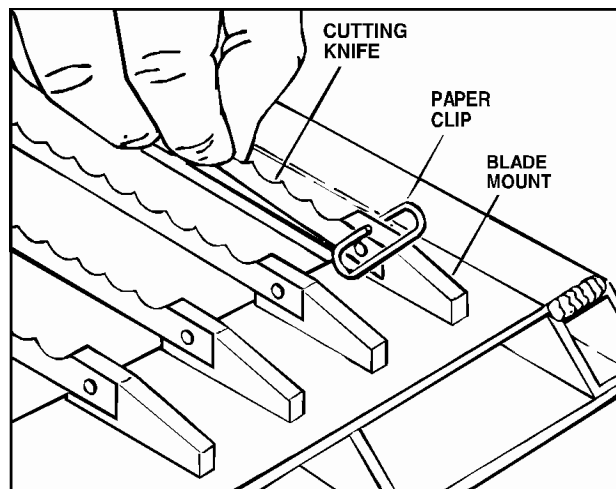


CHANGING THE BLADES (Continued)

The blades can be removed from the lower blade frame while it is still in the machine. This is done by using a second special blade changing tool. Insert the tool into the blade frame. Push the handle, toward the feet of the blade frame, deflecting the upper blade mount reducing the tension on the cutting knife, allowing its careful removal. See below.



Reverse the procedure to install replacement blades. A paper clip can be used to hold the blade in position on a lower blade mount during blade installation. See the illustration below.



CAUTION

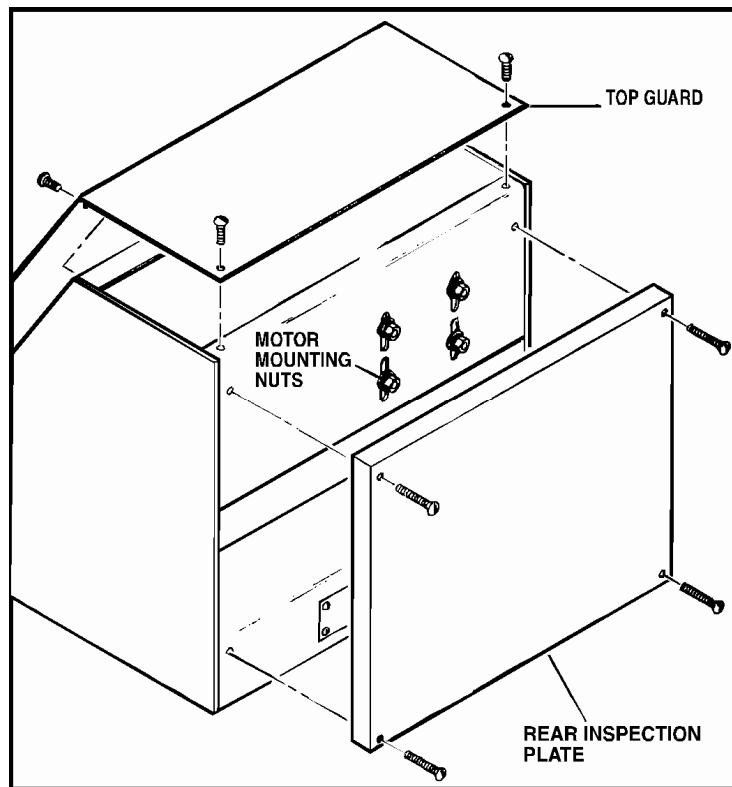
NEVER PUT THE BLADE FRAMES IN A SLICER WITHOUT BLADES.

TIGHTENING THE BELT

CAUTION

OVER-TIGHTENING THE DRIVE BELT MAY CAUSE BEARING OR MOTOR FAILURE.

Remove the top guard and rear inspection plate from the slicer. See the next illustration. Locate the four motor mounting nuts and loosen slightly using a wrench.



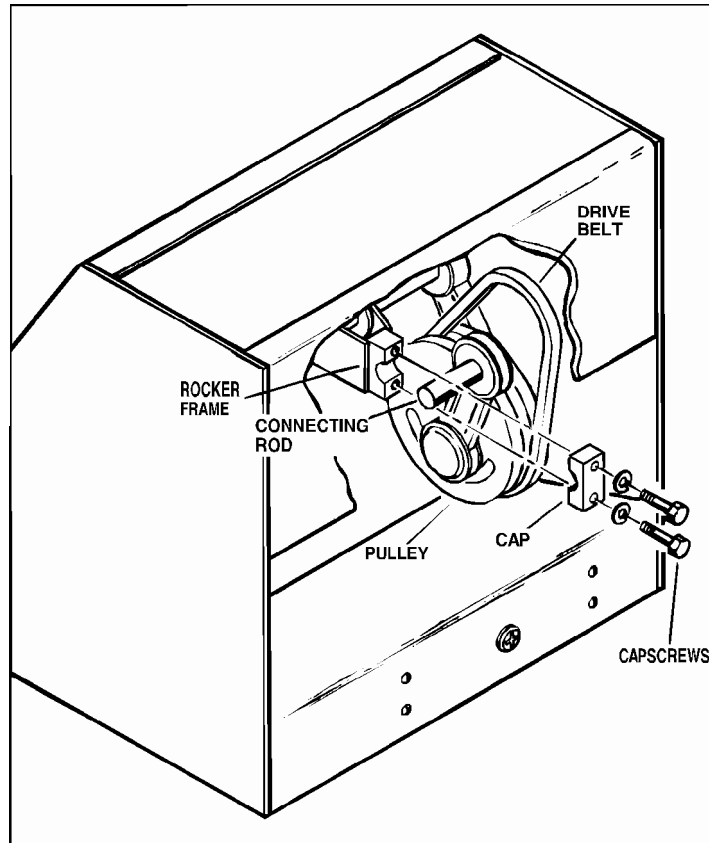
CAUTION

DO NOT REMOVE THE MOTOR NUTS COMPLETELY.

Manually lift the motor upward to tighten the belt using care to keep the centerline of the motor perpendicular to the centerline of the belt. The belt can be loosened by carefully moving the motor downward. The drive belt should be just tight enough, using moderate finger pressure, to allow a 3/8" deflection halfway between the motor drive pulley and the driven pulley. When desired belt tension is achieved, re-tighten the motor mounting bolts securely and replace the top guard and rear inspection plate.

REPLACING THE BELT

Remove the top guard and rear inspection plate from the slicer, as described under "Tightening the Belt". Loosen the motor mounting bolt nuts slightly (see Belt Tightening section), and lower the motor as far as it will go. Disconnect the end of the connecting rod at the rocker frame by removing the two capscrews and cap. See the drawing below. You should now be able to remove the drive belt from the pulleys.

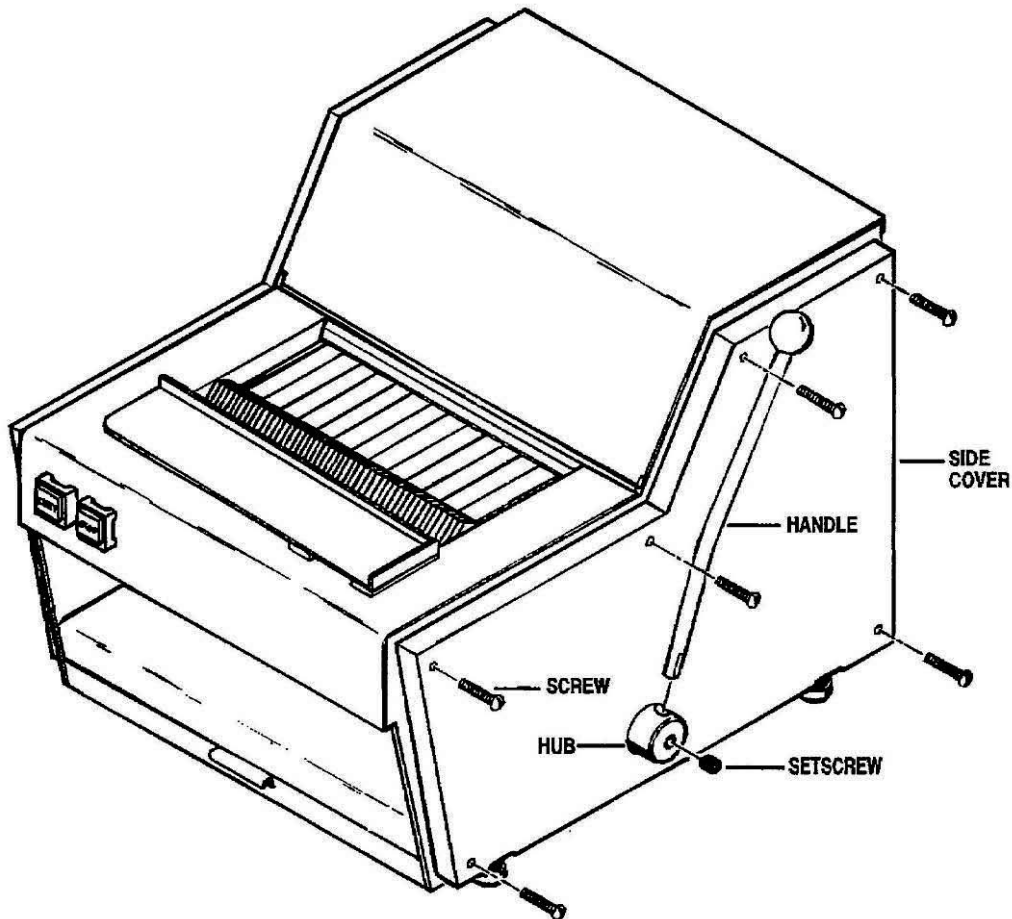


Install a new belt by reversing the removal procedure. Refer to the "Belt Tightening" section for advice on how to adjust the drive belt tension.

REPLACING THE GAS SPRING

Remove the handle by loosening the setscrew in the hub. The handle side cover can now be removed by removing the six slotted head screws holding it in position. See the next illustration.

REPLACING THE GAS SPRING (Continued)



WARNING

THE GAS SPRING IS IN A COMPRESSED STATE, USE CARE WHEN REMOVING IF FROM THE MACHINE.

To remove the gas spring, remove the push-on clip at the top of the gas spring by prying it off with a screwdriver.

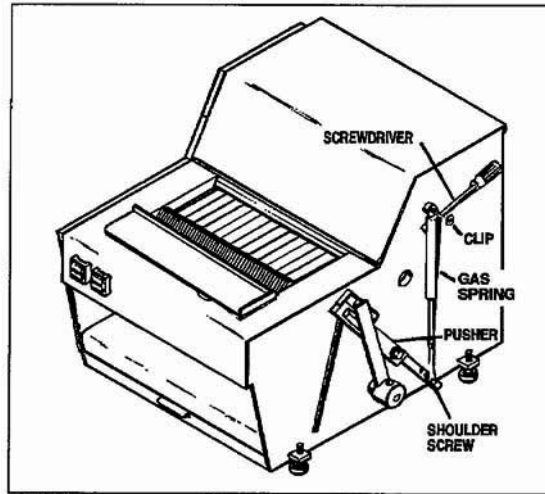
NOTE

The clips are not re-usable; a new one will be required.

After the clip is removed, the gas spring can then be pried off with a screwdriver, use care noting the above warning. See the next illustration for additional information. At this point, the shoulder screw securing the opposite end of the spring can be removed freeing the spring.

Rev. 11-30-00

REPLACING THE GAS SPRING (Continued)



To replace the gas spring, start by re-attaching the lower end of the spring with the shoulder screw.

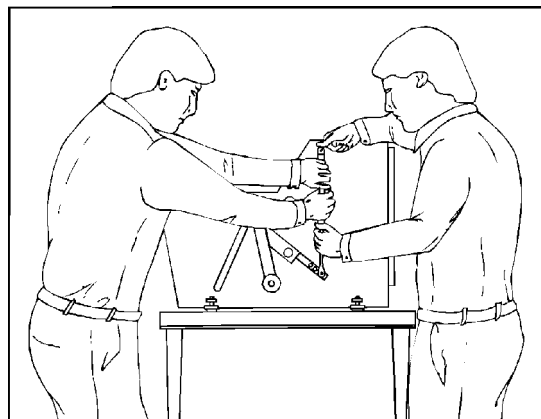
CAUTION

USE A LOCKING FLUID, SUCH AS LOC-TITE[®], TO PREVENT THE SCREW FROM LOOSENING BECAUSE OF VIBRATION.

Using two people, grasp the spring as shown in the next illustration and slide the spring back over the pin on the frame. Reverse the remaining removal steps to complete assembly.

CAUTION

CARE MUST BE USED WHEN WORKING WITH THE GAS SPRING. ALWAYS PUSH STRAIGHT DOWN OR SPRING DAMAGE MAY OCCUR.



LUBRICATION

Once a month put a drop of a food approved lubricant on the plastic links at the top of the blade frames. Also add a drop or two to each bushing on the pusher drive cross shaft and lever shaft. All other bearings are greased packed or sealed and seldom need attention.

NOTE

Never oil or grease the motor.

CLEANING

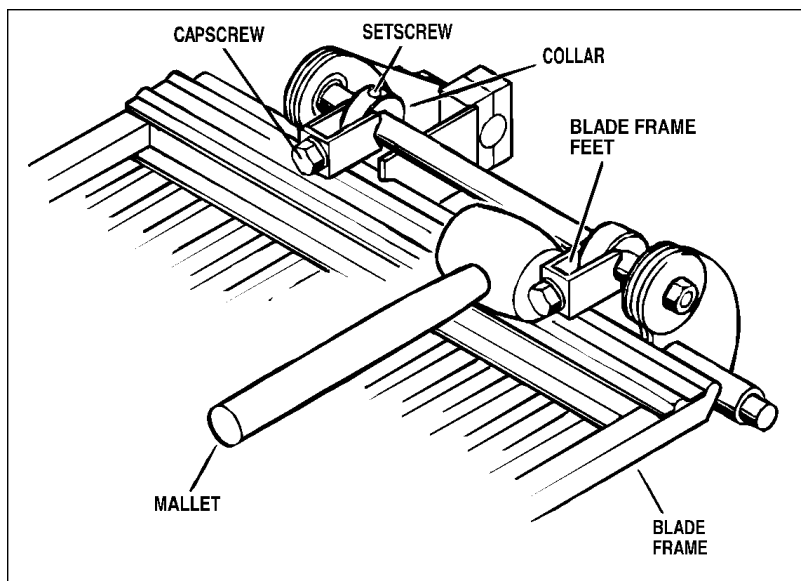
Use a mild detergent solution to clean the exterior surfaces and empty the crumb tray daily or as necessary. Periodically remove all guards and covers and brush or blow, if compressed air is available, all foreign material from all surfaces, especially moving parts.

ADJUSTMENTS

SLICES VARY IN THICKNESS

Remove rear inspection plate from the slicer. With a wrench loosen, but do not remove, the hex head capscrews in the feet of each of the top and bottom blade frames. Loosen the setscrews in the rocker frame fixed collars. See illustration below.

Gently tap the collar with a small mallet to the right or left until the blades are centered in the slots in the top guard. Tighten the setscrew and capscrews in the blade frame feet securely. Replace the rear inspection plate.



ADJUSTING THE GAS SPRING

CAUTION

FREQUENT ADJUSTMENT OF THE GAS SPRING IS NOT RECOMMENDED.

The gas spring must be removed and relocated to adjust its force. To remove the gas spring, see "Replacing the Gas Spring" in the maintenance section. There are two gas spring pins welded into the frame. The pin furthest from the front of the machine, (the standard position), should be used whenever possible. The standard position gives a gentle force at the beginning of the slicing operation, (when it is most needed), which will allow the knives to start cutting and to prevent damage to the product. It also provides the most force at the end of the stroke to allow the cradle to finish its upward travel.

Rev. 11-30-00

ADJUSTING THE GAS SPRING (Continued)

The pin located in the high forward position should be used when greater force is desired as the product is first entering the knives.

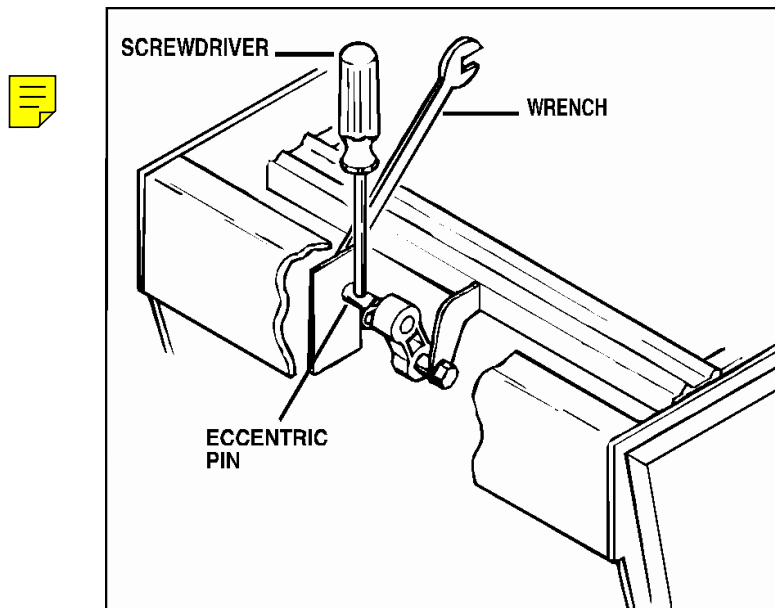
Using proper gas spring installation procedures, see “Replacing a Gas Spring”, in the maintenance section, compress the spring and mount it on the desired pin, secure it with a new clip.

NOTE

Normally difficult cutting breads require **LESS** force at the beginning of slicing not more.

CLEARANCE BETWEEN BLADE FRAMES

Remove the top guard, and front guard from the machine, see “Removing Blade Frames” in the maintenance section. The distance between the top of the blade frames is adjusted by rotating the eccentric pins located in the front of the machine. A small screwdriver or rod must be inserted through the hole in the side of the eccentric pin to keep the pin from rotating while loosening the locknut on the end of the pin with a wrench. See below.



Using the small screwdriver or rod, rotate the pin to the desired position and tighten the nut to lock the pin in place. Check the frame clearance by turning the driven pulley by hand. When the adjustment is complete, replace the guards and table lip.

TROUBLE SHOOTING GUIDE

WARNING

ALWAYS UNPLUG THE SLICER WHEN ADJUSTING OR REPAIRING.

PROBLEM	PROBABLE CAUSES (S)	REMEDY
Bread slices vary in thickness.	Blade frames are out of adjustment.	Adjust blade frames. see "Adjustments"
Blade frame are knocking.	Not enough clearance between frames.	Adjust eccentric pins. see "Adjustments"
Slicer vibrates excessively.	V-belt loose.	Tighten the belt. see "Maintenance"
	Leveling feet uneven.	Adjust feet to level the machine.
	Top links or bearings worn.	Locate worn parts and replace.
Slicer stops before slicing is complete.	Upper limit switch is not adjusted properly.	Readjust the switch.
Slicer <u>WILL NOT</u> automatically stop when slicing is complete.	Upper limit switch is not adjusted properly.	Readjust the switch.
	Defective switch.	Repair or replace.
Slicer will not start when the start button is pushed. Motor is not humming.	No power at the outlet. (Check by plugging lamp or other appliance into the outlet.)	Repair the outlet or circuit.
	Lever is not pulled and HELD completely forward	Pull lever completely forward and hold.
	Lower limit switch is not adjusted properly.	Readjust the switch.
	Defective switch.	Repair or replace.
Slicer cuts slowly.	May be normal for the texture of the product.	None required.
	Blades may be worn.	Replace blades. see "Maintenance"
	Gas spring may require adjustment.	see "Adjustments"

TROUBLE SHOOTING GUIDE (Continued)

PROBLEM	PROBABLE CAUSES (S)	REMEDY
Switches are turned ON, motor hums but will not start. <u>SEE CAUTION</u>	Motor or drive system is binding. (Defective bearings.)	Repair or Replace
	Interference between parts of the slicer mechanism.	Adjust or repair
Hand lever pulls hard	Foreign matter in the pusher tracks.	Clean the tracks.
	Gas spring may require adjustment	see "Adjustments"

CAUTION

DO NOT ALLOW THE MOTOR TO HUM WITHOUT STATING AS THIS WILL DAMAGE THE MOTOR BY CAUSING IT TO OVERHEAT.



NOTE

A special non-ventilated motor must be used with this slicer.

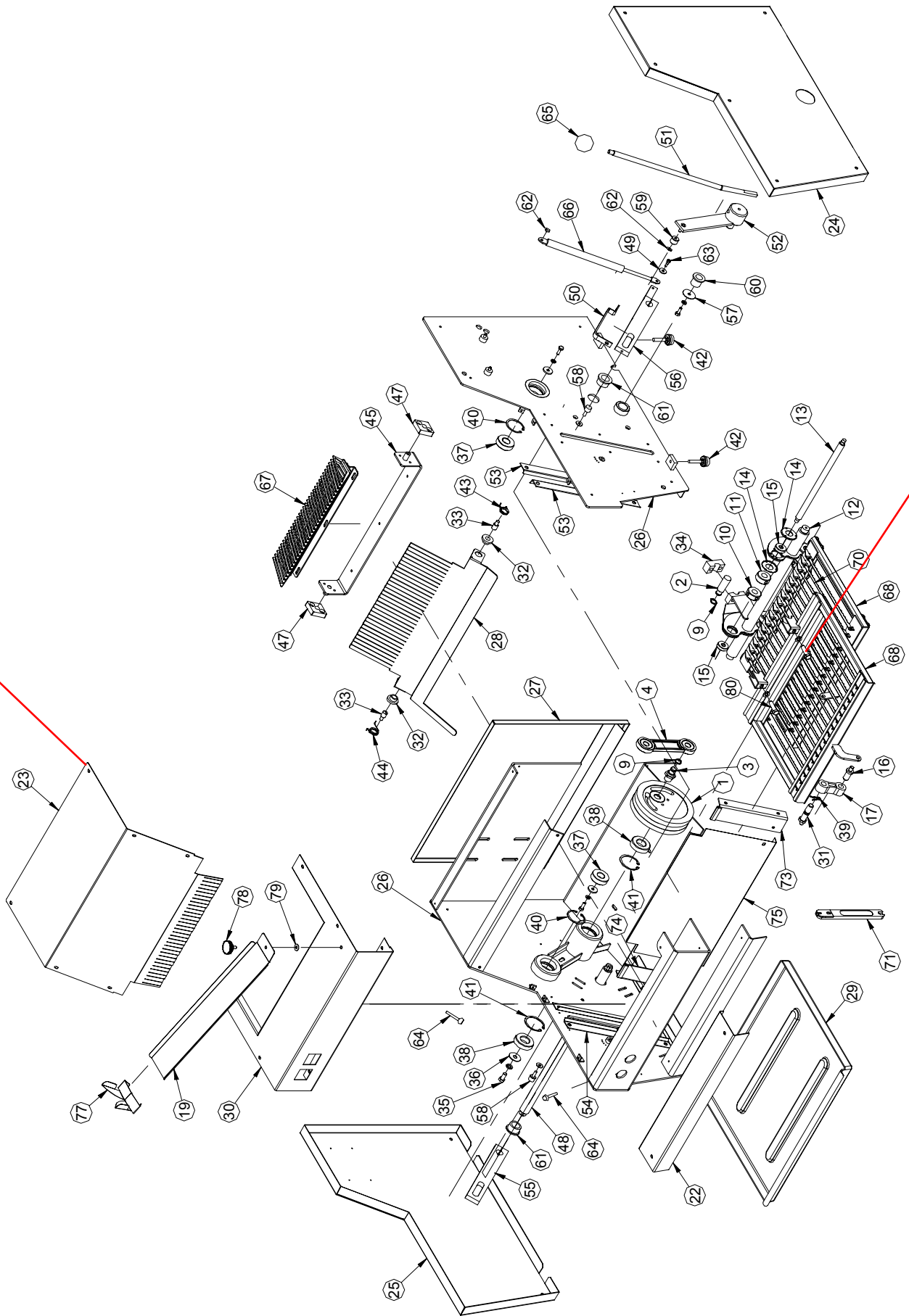
RECOMMENDED SPARE PARTS

NOTE

Parts listed below are for standard electrics (1-60-115/230) for other electrics consult Oliver Products Company.

PART NUMBER	DESCRIPTION	NO. REQ'D
6084-8700	Gas Spring	1
5835-7705	Hairpin	2
0777-0034	Eccentric Pin	2
0732-0013	Blade Frame Pin	2
0711-0002	Blade Frame Link 	2
5601-1127	V-Belt (4L370) 	1
0711-0052	Lower Limit Switch	1
0711-0053	Upper Limit Switch	1
5708-6100	Black Start Button	1
5708-6116	Red Stop Button	1
5708-6150	Push Button Operator	2
5708-6250	Contact Block 1NO (Start)	1
5708-6251	Contact Block 1NC (Stop)	1
5749-8027	Power Relay (115 VAC)	1
5749-8028	Power Relay (230 VAC)	1
5220-5040	Driven Pulley Bearing	2
0797-0058-1	Driven Pulley Stud	1
0797-0071-3	Connecting Rod	1
0797-0057-2	Swing Stud	1
5220-4040	Rocker Shaft Bearing	2
5220-0020	Swing Shaft Bearing	4
6301-3609	1/2 HP Motor (1-60-115/230)	1
5831-8225	Push-On Clip	2
5251-0030	Cam Follower Bearing 5/8	2
5251-0091	Cam Follower Bearing 3/4	1





MECHANICAL PARTS LIST

NOTE

Items not identified on these sheets or drawings are standard hardware items which may be purchased locally.

ITE N	OLIVE PART	MANUFACTURER PART	QTY.	DESCRIPTION	MANUFACTURE
1	0797-0049-103		1	Pulley	Oliver Products Company
2	0797-0057-2		1	Stud	Oliver Products Company
3	0797-0058-1		1	Stud	Oliver Products Company
4	0797-0071-3		1	Connecting Rod Assm	Oliver Products Company
9	5840-2825	5160-59	1	Snap	Waldes Kohinoor, Inc. Truarc Ret. Ring Div. Long Island City, NY 11101
10	0797-0031-001		2	Colla	Oliver Products Company
11	0797-0031-1		2	Colla	Oliver Products Company
12	0797-0047-2		1	Rocker	Oliver Products Company
13	0797-0060		2	Swing Shaft	Oliver Products Company
14	4090-0232-0004		4	Ball Brg. Cap	Oliver Products Company
15	5220-0020	200KDD	4	Ball	Fafnir (See
16	0732-0013		2	Blade Frame Pin	Oliver Products Company
17	0711-0002		2	Link	Oliver Products Company
19	0711-0004		1	Bread Scoop	Oliver Products Company
22	0711-0007		1	Infeed Plate	Oliver Products Company
23	0711-0010-1XX		1	Top Guard	Oliver Products Company
24	0711-0011		1	R. H. Cover (White)	Oliver Products Company
24	0711-0011-0**		1	R. H. Cover (Other)	Oliver Products Company
25	0711-0012		1	L. H. Cover (White)	Oliver Products Company
25	0711-0012-0**		1	L. H. Cover (Other)	Oliver Products Company
26	0711-0013		1	Frame (White)	Oliver Products Company
26	0711-0013-0**		1	Frame (Other)	Oliver Products Company
27	0711-0034		1	Inspection Plate (White)	Oliver Products Company
27	0711-0034-0**		1	Inspection Plate (Other)	Oliver Products Company
28	0711-0036-2XX		1	Holddown	Oliver Products Company
29	0711-0014-002		1	Crumb Tray	Oliver Products Company
30	0711-0044-1		1	Front Guard	Oliver Products Company
31	0777-0034		2	Eccentric Pin	Oliver Products Company
32	0777-0066		2	Bushin	Oliver Products Company
33	0777-0068		2	Screw	Oliver Products Company
34	0797-0047-003		1	Cap	Oliver Products Company

MECHANICAL PARTS LIST (Continued)

ITEM NO	OLIVER PART NUMBER	MANUFACTURERS PART NUMBER	QTY.	DESCRIPTION	MANUFACTURER
35	5842-1802		1	Screw	No Primary Mfg.
36	4655-0313-1401		1	Washer	Oliver Products Company
37	5220-4040	204NPP	2	Ball Bearing	Fafnir (See #7)
38	5220-5040	205NPP	2	Ball Bearing	Fafnir (See #7)
39	5835-7705		2	Hairpin Clip	Oliver Products Company
40	5840-1036	N5000-181	2	Retaining Ring	Waldes Kohinoor (See #9)
41	5840-1040	N5000-200	2	Retaining Ring	Waldes Kohinoor (See #9)
42	5912-0553	FB2724	4	Leveler	Ohio Nut & Bolt Company Div. of Fastener Ind., Inc. Berea, OH 44017
43	7030-0020		1	Torsion Spring	Oliver Products Company
44	7030-0021		1	Torsion Spring	Oliver Products Company
45	0711-0015		1	Cradle Bracket	Oliver Products Company
47	0711-0017		2	Block	Oliver Products Company
48	0711-0018		1	Shaft	Oliver Products Company
49	0711-0021		1	Spacer	Oliver Products Company
50	0711-0023		1	Keeper	Oliver Products Company
51	0711-0024		1	Hand Lever	Oliver Products Company
52	0711-0025		1	Hub	Oliver Products Company
53	0711-0051-0001		2	R. H. Guide	Oliver Products Company
54	0711-0051-0002		2	L. H. Guide	Oliver Products Company
55	0711-0042		1	L. H. Arm	Oliver Products Company
56	0711-0043-2		1	R. H. Arm	Oliver Products Company
57	4655-0309-1603		1	Washer	Oliver Products Company
58	5251-0030	CF-5/8-SB	2	Cam Bearing	McGill Mfg. Co., Inc. Bearing Division Valparaiso, IN 46383
59	5251-0091	CYR-3/4-S	1	Cam Bearing	McGill Mfg. (See #58)
60	5254-3139	FB-1216-8	1	Bronze Bearing	Boston Gear Incom International, Inc. Quincy, MA 02171
61	5254-3043	FF-1213-1	2	Bronze Bearing	Amplex Division Chrysler Corporation Detroit, MI 48288
62	5831-8225	C12046-017-67	2	Clip	Eaton Corporation Eng. Fasteners Div. Cleveland, OH 44101

MECHANICAL PARTS LIST (Continued)

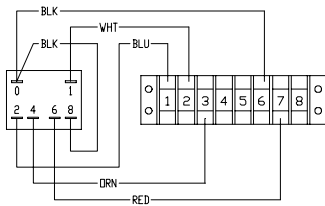
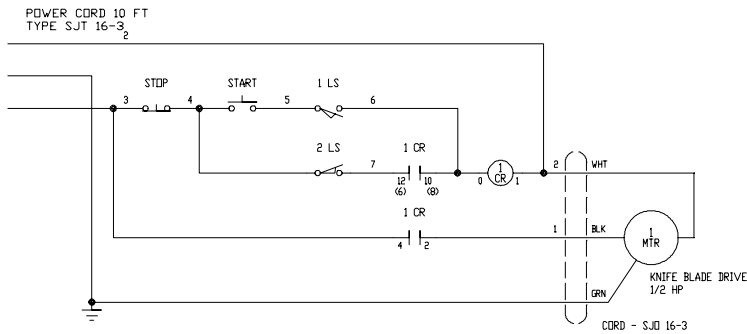
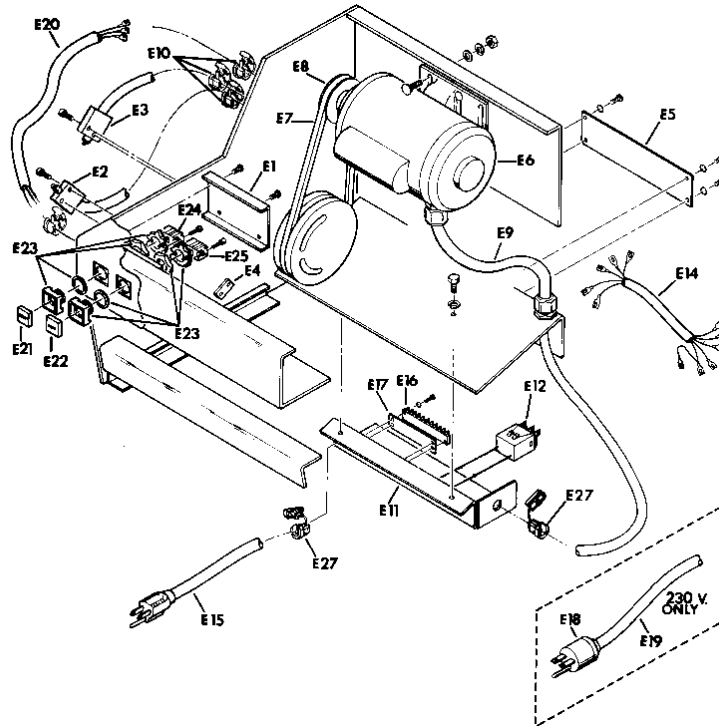
ITE N	OLIVE PART	MANUFACTURER PART	QTY.	DESCRIPTION	MANUFACTURE
63	5842-8501		1	Shoulder	No Primary Mfg.
64	5902-8790	225208	2	Spindle	DE-STA-CO Division Dover Corporation Detroit, MI 48203
65	5911-7002	111-3/8-	1	Knob	Dimco-Gray Company Centerville, OH 45459
66	6084-8700		1	Gas Spring	Oliver Products Company
67	0711-0026-4XX		1	Cradle	Oliver Products Company
68	0732-0001-5XX		2	Blade	Oliver Products Company
70	0797-0029-1		AR	Knife	Oliver Products Company
71	0797-0183-006		1	Knife Removal & Installation Tool	Oliver Products Company
73	0711-0047-0001		1	R. H.	Oliver Products Company
74	0711-0047-0002		1	L. H.	Oliver Products Company
75	0711-0048		1	Infeed Table	Oliver Products Company
77	0711-0080		1	Bread Stop	Oliver Products Company
78	4560-2508-1111		1	Screw Clamp	Oliver Products Company
79	5851-8120	90295A150	1	Nylon	McMaster-Carr Supply Co.
80	5842-1574		4	Screw - Grade 5 Hex Hd 3/8-16 x 1-3/8	No Primary Mfg.

XX (Specify Slice Width)

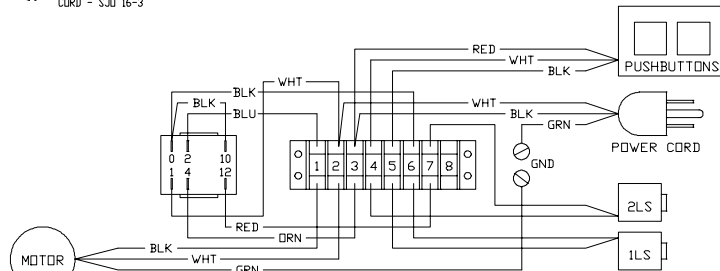
** (Specify Color)

AR (As Required)

ELECTRICAL COMPONENTS 60/50 CY



ALTERNATE RELAY WIRING



WIRING LAYOUT

WIRING DIAGRAM 1-60/50-115/110 & 1-60/50-230/220 (Not for "Self Serve" machines)

Rev. 1-19-99





NOTE

Items not identified on these sheets or drawings are standard hardware items which may be purchased locally.

ELECTRICAL PARTS LIST (1/2 HP, 1-60-115)

ITEM NO	OLIVER PART NUMBER	MANUFACTURERS PART NUMBER	QTY.	DESCRIPTION	MANUFACTURER
E1	0711-0027		1	Cover	Oliver Products Company
E2	0711-0052		1	Switch-1LS	Oliver Products Company
E3	0711-0053		1	Switch-2LS	Oliver Products Company
E4	0711-0030		2	Nutbar	Oliver Products Company
E5	0711-0031-001		1	Cover (White)	Oliver Products Company
E5	0711-0031-0**		1	Cover (Other)	Oliver Products Company
E6	6301-3609		1	Motor	Oliver Products Company
E7	5601-1127	4L370	1	V-belt	No Primary Mfg.
E8	0732-0018		1	Sheave-2.25 P.D.	Oliver Products Company
E9	0711-0055		1	Motor Cord	Oliver Products Company
E10	5765-1079	SR-7L-2	4	Strain Relief	Heyco Molded Products Kenilworth, NJ 07033
E11	0711-0033-101		1	Panel	Oliver Products Company
E12	5749-8027	G7L-2ATUB-JCB AC120	1	Relay	Omron Electronics, Inc. Schaumburg, IL 60195
E14	0711-0057		1	Wire Harness	Oliver Products Company
E15	0711-0056		1	Power Cord	Oliver Products Company
E16	5770-7451	601-8/KT39	1	Terminal Strip	Kukla Smith 1913 Atlantic Ave. Manasquan, NJ 08736
E17	5770-7328	MS8-141	1	Marker	TRW Cinch Connectors Div. TRW Elec. Comp. Group Elk Grove Village, IL 60007
E20	0711-0054		1	Button Cord	Oliver Products Company
E21	5708-6100	E30KA180	1	Start Button	Cutler-Hammer Products Eaton Elec/Electronic Cont. Milwaukee, WI 53216
E22	5708-6116	E30KA281	1	Stop Button	Cutler-Hammer (See #E21)
E23	5708-6150	E30AA	2	Operator	Cutler-Hammer (See #E21)
E24	5708-6250	E30KLA1	1	N.O. Block	Cutler-Hammer (See #E21)
E25	5708-6251	E30KLA2	1	N.C. Block	Cutler-Hammer (See #E21)
E27	5765-1080	SR-7K-2	2	Strain Relief	Heyco (See #E10)

ELECTRICAL PARTS LIST (1/2 HP, 1-60-230)

ITEM NO	OLIVER PART NUMBER	MANUFACTURERS PART NUMBER	QTY.	DESCRIPTION	MANUFACTURER
E1	0711-0027		1	Cover	Oliver Products Company
E2	0711-0052 		1	Switch-1LS	Oliver Products Company
E3	0711-0053		1	Switch-2LS	Oliver Products Company
E4	0711-0030		2	Nutbar	Oliver Products Company
E5	0711-0031-001		1	Cover (White)	Oliver Products Company
E5	0711-0031-0**		1	Cover (Other)	Oliver Products Company
E6	6301-3609		1	Motor	Oliver Products Company
E7 	5601-1127	4L370	1	V-belt	No Primary Mfg.
E8 	0732-0018		1	Sheave-2.25 P.D.	Oliver Products Company
E9	0711-0055		1	Motor Cord	Oliver Products Company
E10	5765-1079	SR-7L-2	4	Strain Relief	Heyco Molded Products Kenilworth, NJ 07033
E11	0711-0033-101		1	Panel	Oliver Products Company
E12	5749-8028	G7L-2ATUB-JCB-AC200/240	1	Relay	Omron Electronics, Inc. Schaumburg, IL 60195
E14	0711-0057		1	Wire Harness	Oliver Products Company
E16	5770-7451	601-8/KT39	1	Terminal Strip	Kukla Smith 1913 Atlantic Ave. Manasquan, NJ 08736
E17	5770-7328	MS8-141	1	Marker	TRW Cinch Connectors Div. TRW Elec. Comp. Group Elk Grove Village, IL 60007
E18	5765-2030	5443	1	Plug-230V	Leviton Mfg. Co., Inc. Little Neck, NY 11362
E19	5765-8331	#1342	10'	Cord-16/3	Carol Cable Company Pawtucket, RI 02862
E20	0711-0054		1	Button Cord	Oliver Products Company
E21	5708-6100	E30KA180	1	Start Button	Cutler-Hammer Products Eaton Elec/Electronic Cont. Milwaukee, WI 53216
E22	5708-6116	E30KA281	1	Stop Button	Cutler-Hammer (See #E21)
E23	5708-6150	E30AA	2	Operator	Cutler-Hammer (See #E21)
E24	5708-6250	E30KLA1 	1	N.O. Block	Cutler-Hammer (See #E21)
E25	5708-6251	E30KLA2	1	N.C. Block	Cutler-Hammer (See #E21)
E27	5765-1080	SR-7K-2	2	Strain Relief	Heyco (See #E10)

** (Specify Color)

ELECTRICAL PARTS LIST (1/2 HP, 1-50-110)

ITEM NO	OLIVER PART NUMBER	MANUFACTURERS PART NUMBER	QTY.	DESCRIPTION	MANUFACTURER
E1	0711-0027		1	Cover	Oliver Products Company
E2	0711-0052		1	Switch-1LS	Oliver Products Company
E3	0711-0053		1	Switch-2LS	Oliver Products Company
E4	0711-0030		2	Nutbar	Oliver Products Company
E5	0711-0031-001		1	Cover (White)	Oliver Products Company
E5	0711-0031-0**		1	Cover (Other)	Oliver Products Company
E6	6301-3940		1	Motor	Oliver Products Company
E7	5601-1127	4L370	1	V-belt	No Primary Mfg.
E8	4575-7103-2002		1	Sheave-3.2 P.D.	Oliver Products Company
E9	0711-0055		1	Motor Cord	Oliver Products Company
E10	5765-1079	SR-7L-2	4	Strain Relief	Heyco Molded Products Kenilworth, NJ 07033
E11	0711-0033-101		1	Panel	Oliver Products Company
E12	5749-8027	G7L-2ATUB-JCB-AC120	1	Relay	Omron Electronics, Inc. Schaumburg, IL 60195
E14	0711-0057		1	Wire Harness	Oliver Products Company
E16	5770-7451	601-8/KT39	1	Terminal Strip	Kukla Smith 1913 Atlantic Ave. Manasquan, NJ 08736
E17	5770-7328	MS8-141	1	Marker	TRW Cinch Connectors Div. TRW Elec. Comp. Group Elk Grove Village, IL 60007
E19	5765-8331	#1342	10'	Cord-16/3	Carol Cable Company Pawtucket, RI 02862
E20	0711-0054		1	Button Cord	Oliver Products Company
E21	5708-6100	E30KA180	1	Start Button	Cutler-Hammer Products Eaton Elec/Electronic Cont. Milwaukee, WI 53216
E22	5708-6116	E30KA281	1	Stop Button	Cutler-Hammer (See #E21)
E23	5708-6150	E30AA	2	Operator	Cutler-Hammer (See #E21)
E24	5708-6250	E30KLA1	1	N.O. Block	Cutler-Hammer (See #E21)
E25	5708-6251	E30KLA2	1	N.C. Block	Cutler-Hammer (See #E21)
E27	5765-1080	SR-7K-2	2	Strain Relief	Heyco (See #E10)

** (Specify Color)

ELECTRICAL PARTS LIST (1/2 HP, 1-50-220)

ITEM NO	OLIVER PART NUMBER	MANUFACTURERS PART NUMBER	QTY.	DESCRIPTION	MANUFACTURER
E1	0711-0027		1	Cover	Oliver Products Company
E2	0711-0052		1	Switch-1LS	Oliver Products Company
E3	0711-0053		1	Switch-2LS	Oliver Products Company
E4	0711-0030		2	Nutbar	Oliver Products Company
E5	0711-0031-001		1	Cover (White)	Oliver Products Company
E5	0711-0031-0**		1	Cover (Other)	Oliver Products Company
E6	6301-3940		1	Motor	Oliver Products Company
E7	5601-1127	4L370	1	V-belt	No Primary Mfg.
E8	0797-3379		1	Sheave-2.75 P.D.	Oliver Products Company
E9	0711-0055		1	Motor Cord	Oliver Products Company
E10	5765-1079	SR-7L-2	4	Strain Relief	Heyco Molded Products Kenilworth, NJ 07033
E11	0711-0033-101		1	Panel	Oliver Products Company
E12	5749-8028	G7L-2ATUB-JCB-AC200/240	1	Relay	Omron Electronics, Inc. Schaumburg, IL 60195
E14	0711-0057		1	Wire Harness	Oliver Products Company
E16	5770-7451	601-8/KT39	1	Terminal Strip	Kukla Smith 1913 Atlantic Ave. Manasquan, NJ 08736
E17	5770-7328	MS8-141	1	Marker	TRW Cinch Connectors Div. TRW Elec. Comp. Group Elk Grove Village, IL 60007
E19	5765-8331	#1342	10'	Cord-16/3	Carol Cable Company Pawtucket, RI 02862
E20	0711-0054		1	Button Cord	Oliver Products Company
E21	5708-6100	E30KA180	1	Start Button	Cutler-Hammer Products Eaton Elec/Electronic Cont. Milwaukee, WI 53216
E22	5708-6116	E30KA281	1	Stop Button	Cutler-Hammer (See #E21)
E23	5708-6150	E30AA	2	Operator	Cutler-Hammer (See #E21)
E24	5708-6250	E30KLA1	1	N.O. Block	Cutler-Hammer (See #E21)
E25	5708-6251	E30KLA2	1	N.C. Block	Cutler-Hammer (See #E21)
E27	5765-1080	SR-7K-2	2	Strain Relief	Heyco (See #E10)

** (Specify Color)

Rev. 6-12-07

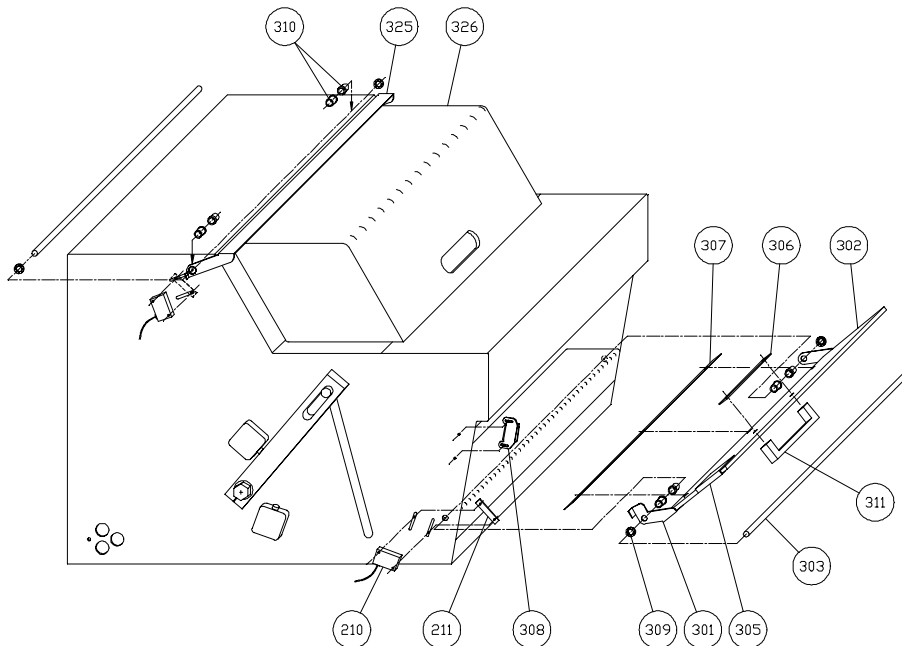
PARTS LIST FOR SELF SERVE OPTION

<u>ITEM NO.</u>	<u>PART DESCRIPTION</u>	<u>PART NO.</u>
*153	Holddown Assy	0711-0078-1XX
210	Proximity Switch	0711-0070
211	Nutbar	0711-0073
301	Door Hinge	0711-0066
302	Door	0711-0067
303	Rod	0711-0068
*304	Gas Spring Pin	0711-0069
305	Latch Plate	0711-0072
306	Handle Backing Strip	2000-0087
307	Hinge Backing Strip	0711-0075
308	Magnetic Catch	5805-2503
309	Round Push Nut	5831-8227
310	Nylon Shoulder Washer	5851-8190
311	Pull Handle	5908-5100
*312	Bag & Tie Nameplate	6400-2003
*313	Operating Instruction Nameplate	6401-5065

ADDITIONAL PARTS FOR "OPTIONAL" OUTFEED COVER

325	Cover Hinge	0711-0071
326	Outfeed Cover	0711-0074
*327	Operating Instruction Nameplate	6401-5068

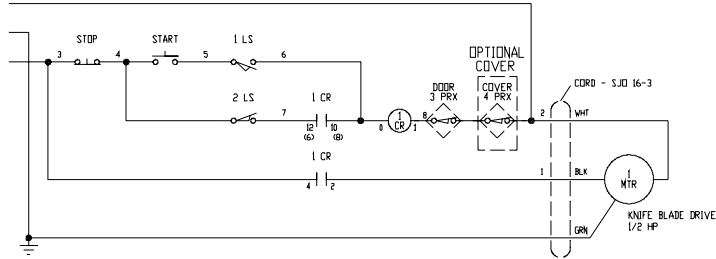
* Items not shown on drawing



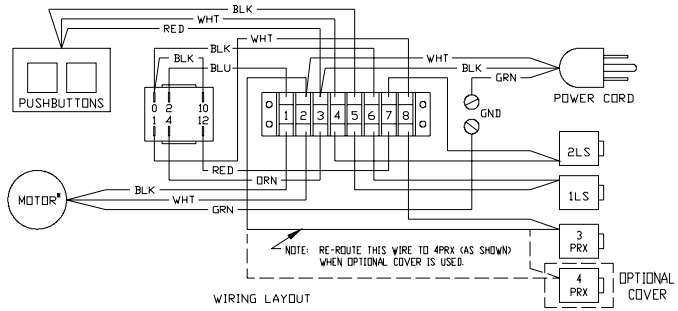
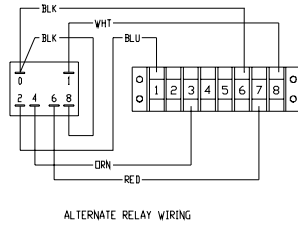
Rev. 12-1-00

WIRING DIAGRAM 1-60/50-115/110 & 1-60/50-230/220 "SELF SERVE"

POWER CORD 10 FT
TYPE SJT 16-3



1 LS - MNTD ON THE SIDE OF THE MACHINE. CLOSSES WHEN THE HAND LEVER IS PULLED FULLY BACK.
2 LS - MNTD ON THE SIDE OF THE MACHINE. OPENS WHEN THE HAND LEVER REACHES THE END OF ITS STROKE (HOME POSITION).



WARRANTY

PARTS

Oliver Products Company (Oliver) warrants that if any part of the equipment (other than a part not manufactured by Oliver) proves to be defective (as defined below) within one year after shipment, and if Buyer returns the defective part to Oliver within one year, Freight Prepaid to Oliver's plant in Grand Rapids, MI, then Oliver, shall, at Oliver's option, either repair or replace the defective part, at Oliver's expense.

LABOR

Oliver further warrants that equipment properly installed in accordance with our special instructions, which proves to be defective in material or workmanship under normal use within one (1) year from installation or one (1) year and three (3) months from actual shipment date, whichever date comes first, will be repaired by Oliver or an Oliver Authorized Service Dealer, in accordance with Oliver's published Service Schedule.

For purposes of this warranty, a defective part or defective equipment is a part or equipment which is found by Oliver to have been defective in materials workmanship, if the defect materially impairs the value of the equipment to Buyer. Oliver has no obligation as to parts or components not manufactured by Oliver, but Oliver assigns to Buyer any warranties made to Oliver by the manufacturer thereof.

This warranty **does not** apply to:

1. Damage caused by shipping or accident.
2. Damage resulting from improper installation or alteration.
3. Equipment misused, abused, altered, not maintained on a regular basis, operated carelessly, or used in abnormal conditions.
4. Equipment used in conjunction with products of other manufacturers unless such use is approved by Oliver Products in writing.
5. Periodic maintenance of equipment, including but not limited to lubrication, replacement of wear items, and other adjustments required due to installation, set up, or normal wear.
6. Losses or damage resulting from malfunction.

The foregoing warranty is in lieu of all other warranties expressed or implied AND OLIVER MAKES NO WARRANTY OF MERCHANTABILITY OR FITNESS FOR PURPOSE REGARDING THE EQUIPMENT COVERED BY THIS WARRANTY. Oliver neither assumes nor authorizes any person to assume for it any other obligations or liability in connection with said equipment. OLIVER SHALL NOT BE LIABLE FOR LOSS OF TIME, INCONVENIENCE, COMMERCIAL LOSS, INCIDENTAL OR CONSEQUENTIAL DAMAGES.

WARRANTY PROCEDURE

1. If a problem should occur, either the dealer or the end user must contact the Customer Service Department and explain the problem.
2. The Customer Service Manager will determine if the warranty will apply to this particular problem.
3. If the Customer Service Manager approves, a Work Authorization Number will be generated, and the appropriate service agency will perform the service.
4. The service dealer will then complete an invoice and send it to the Customer Service Department at Oliver Products Company.
5. The Customer Service Manager of Oliver Products Company will review the invoice and returned parts, if applicable, and approve for payment.

RETURNED PARTS POLICY

This policy applies to all parts returned to the factory whether for warranted credit, replacement, repair or re-stocking.

Oliver Products Company requires that the customer obtain a Return Material Authorization (RMA) number before returning any part. This number should appear on the shipping label and inside the shipping carton as well. All parts are to be returned prepaid. Following this procedure will insure prompt handling of all returned parts.

To obtain an RMA number contact the Repair Parts Department toll free at (800) 253-3893.

Parts returned for re-stocking are subject to a **RE-STOCKING CHARGE**.

Thank you for your cooperation,

Repair Parts Manager
Oliver Products Company