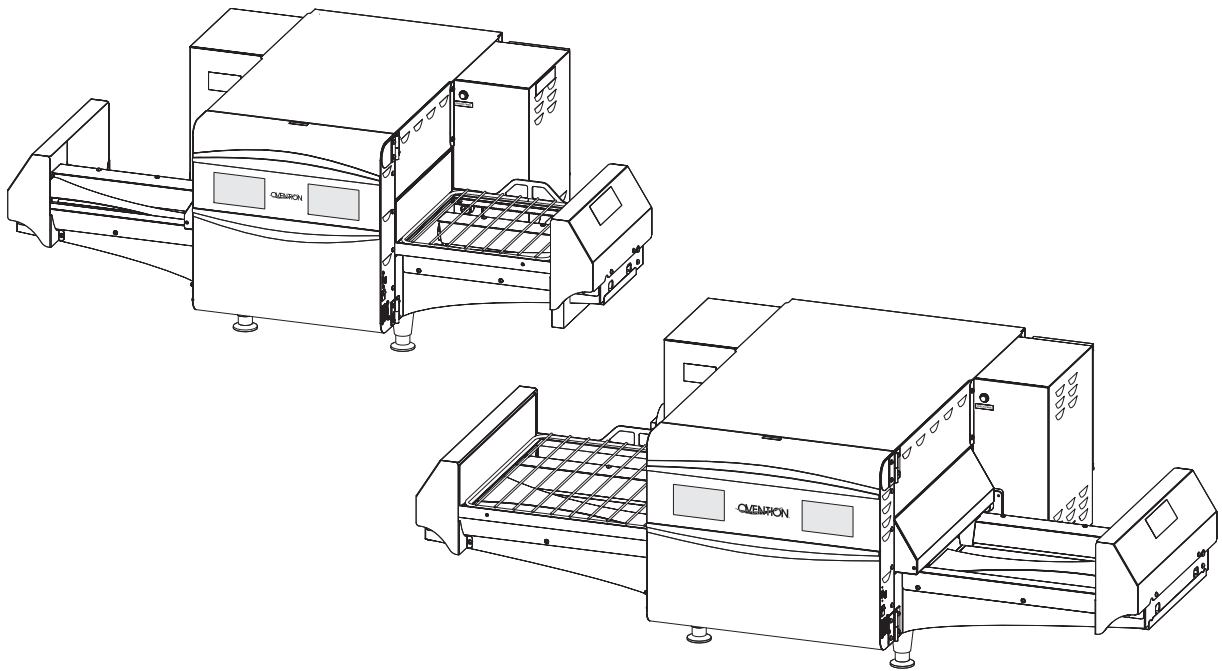


OVENTION®

THE ESSENCE OF COOKING™

Matchbox® Oven Four Matchbox • Horno Matchbox Models/Modèles/Modelos: M1313, M1718



Installation and Operating Manual Manuel d'installation et d'utilisation Manual de instalación y operación

⚠ WARNING

Do not operate this equipment unless you have read and understood the contents of this manual! Failure to follow the instructions contained in this manual may result in serious injury or death. This manual contains important safety information concerning the maintenance, use, and operation of this product. If you're unable to understand the contents of this manual, please bring it to the attention of your supervisor. Keep this manual in a safe location for future reference.

English = p 2

⚠ AVERTISSEMENT

Ne pas utiliser cet équipement sans avoir lu et compris le contenu de ce manuel ! Le non-respect des instructions contenues dans ce manuel peut entraîner de graves blessures ou la mort. Ce manuel contient des informations importantes concernant l'entretien, l'utilisation et le fonctionnement de ce produit. Si vous ne comprenez pas le contenu de ce manuel, veuillez le signaler à votre supérieur. Conservez ce manuel dans un endroit sûr pour pouvoir vous y référer plus tard.

Français = p 19

⚠ ADVERTENCIA

No opere este equipo al menos que haya leído y comprendido el contenido de este manual! Cualquier falla en el seguimiento de las instrucciones contenidas en este manual puede resultar en un serio lesión o muerte. Este manual contiene importante información sobre seguridad concerniente al mantenimiento, uso y operación de este producto. Si usted no puede entender el contenido de este manual por favor pregunte a su supervisor. Almacenar este manual en una localización segura para la referencia futura.

Espanol = p 38

Important Owner Information	2	Cooking	9
Introduction	2	Shutdown	10
Important Safety Information	3	Programming Menu Items.....	10
Model Description	4	Programming a Cook Event.....	12
Model Designation	5	Editing Setpoint Temperatures.....	12
Specifications	5	Changing Temperature Unit of Measure	13
Plug Configurations	5	Uploading from a USB Drive.....	13
Electrical Rating Chart	5	Maintenance	14
Temperature Range	5	General	14
Dimensions	6	Daily Cleaning	14
Installation	7	Weekly Cleaning	14
General	7	Monthly Cleaning	15
Operation	8	Troubleshooting Guide	16
General	8	Options and Accessories	17
Menu Item Information	8	Limited Warranty	19
Startup.....	8		

IMPORTANT OWNER INFORMATION

Record the model number, serial number, voltage, and purchase date of the unit in the spaces below (specification label located on the left side of the unit). Please have this information available when calling Ovention® for service assistance.

Model No. _____

Serial No. _____

Voltage _____

Date of Purchase _____

Business

Hours: 8:00 AM to 5:00 PM
Central Standard Time (CST)

(Summer Hours: June to September –
8:00 AM to 5:00 PM CST Monday through Thursday
8:00 AM to 2:30 PM CST Friday)

Telephone: 855-298-6836 (Ovention Hotline)

E-mail: partsandservice@ventionovens.com

Additional information can be found by visiting our web site at www.ventionovens.com.

Need help?
Call our 24 hour, toll-free
Ovention Hotline
855-298-OVEN(6836)

INTRODUCTION

Ovention Matchbox® Ovens set a new standard in cooking quality, speed, flexibility, and efficiency. A new discovery in air handling not only speeds the cooking process, but “scrubs” and recirculates the air through the oven—eliminating the need for a hood system in most installations. Using icon-driven touchscreens, operators can use, edit, and develop over 1000 custom menu items. Menu items can be developed to include up to three cooking stages, each with varying heat profiles, upper and lower air velocity settings, and timing.

Ovention Matchbox Ovens are designed with an innovative food transport system that allows non-stop operation of the oven. A slider system with two separate cook surfaces travels back and forth into the oven chamber. One of the cook surfaces is always in the oven while the other awaits the next food item.

Ovention Matchbox Ovens are products of extensive research and field testing. The materials used were selected for maximum durability, attractive appearance, and optimum performance. Every unit is inspected and tested thoroughly prior to shipment.

This manual provides the installation, safety, and operating instructions for Ovention Matchbox Ovens. Ovention recommends all installation, operating, and safety instructions appearing in this manual be read prior to installation or operation of the oven.

Safety information that appears in this manual is identified by the following signal word panels:



WARNING indicates a hazardous situation which, if not avoided, could result in death or serious injury.



CAUTION indicates a hazardous situation which, if not avoided, could result in minor or moderate injury.



NOTICE is used to address practices not related to personal injury.



Read the following important safety information before using this equipment to avoid serious injury or death and to avoid damage to equipment or property.

⚠ WARNING

ELECTRIC SHOCK HAZARD:

- Plug unit into a properly grounded electrical receptacle of the correct voltage, size, and plug configuration. If plug and receptacle do not match, contact a qualified electrician to determine and install proper voltage and size electrical receptacle.
- Unit must be grounded properly. Failure to ground unit properly could result in serious personal injury or death.
- Turn off Standby switch, allow unit to cool, and unplug unit/turn OFF Main Disconnect switch before performing any cleaning, adjustments, or maintenance.
- DO NOT submerge or saturate with water. Unit is not waterproof. Do not operate if unit has been submerged or saturated with water.
- Unit is not weatherproof. Locate unit indoors where ambient air temperature is a minimum of 70°F (21°C).
- Do not steam clean or use excessive water on unit.
- This unit is not “jet-proof” construction. Do not use jet-clean spray to clean this unit.
- Do not clean unit when it is energized or hot.
- Do not clean unit with metal scouring pads. Metal pieces can break off pad and touch electrical components, creating risk of electric shock.
- Do not pull unit by power cord.
- Keep power cord away from heated surfaces.
- Do not allow power cord to hang over edge of counter.
- Discontinue use if power cord is frayed or worn.
- Do not attempt to repair or replace a damaged power cord. Cord must be replaced by an Authorized Ovention Service Agent or a person with similar qualifications.
- This unit must be serviced by qualified personnel only. Service by unqualified personnel may lead to electric shock or burn.
- Use only Genuine Ovention Replacement Parts when service is required. Failure to use Genuine Ovention Replacement Parts will void all warranties and may subject operators of the equipment to hazardous electrical voltage, resulting in electrical shock or burn. Genuine Ovention Replacement Parts are specified to operate safely in the environments in which they are used. Some aftermarket or generic replacement parts do not have the characteristics that will allow them to operate safely in Ovention equipment.

FIRE HAZARD:

- Do not install unit on or around combustible surfaces. Discoloration or combustion could occur. Unit must be installed in non-combustible surroundings only.
- Do not use an extension cord. If power cord is too short, contact a qualified electrician to determine and install proper voltage and size electrical receptacle near unit.

In the event of emergency, unplug unit (Model 1313) or turn OFF Main Disconnect switch (Model 1718).

⚠ WARNING

EXPLOSION HAZARD: Do not store or use gasoline or other flammable vapors or liquids in the vicinity of this or any other appliance.

Install unit in accordance with installation instructions in this manual.

This oven is designed specifically to heat or cook—NOT for industrial or laboratory use.

Make sure all operators have been instructed on the safe and proper use of the unit.

This unit is not intended for use by children or persons with reduced physical, sensory, or mental capabilities. Ensure proper supervision of children and keep them away from the unit.

Unit may be located adjacent to a slippery floor.

This unit has no “user-serviceable” parts. If service is required on this unit, contact an Authorized Ovention Service Agent or contact the Ovention Hotline at 855-298-6836.

⚠ CAUTION

BURN HAZARD:

- Some exterior surfaces on unit will get hot. Avoid unnecessary contact with unit.
- Pan/tray will be very hot upon removal—use oven mitt, pan gripper, or other utensil to remove.

Do not turn off Main Disconnect switch or unplug unit immediately after use. Internal fans must cool oven to avoid damage to electrical components.

Locate unit at proper counter height in an area that is convenient for use. Location should be level to prevent unit or its contents from falling accidentally and strong enough to support the weight of the unit and contents.

DO NOT lift unit by platforms on each side of oven chamber. Platforms are not designed to support weight of unit. Lift from underneath oven chamber only.

Do not move or relocate unit for cleaning. Unit is bulky and heavy.

Do not place anything on top of unit; doing so may subject personnel to injury or could damage unit.

Do not heat sealed containers or products such as whole eggs in oven. These items may explode.

Use caution and be aware of pinch points when slider assembly is moving.

Do not store any materials or items inside oven chamber when not in use.

Never use steel pads, wire brushes, or scrapers to clean unit.

Improper cleaning of oven could damage catalyst and will void unit warranty.

Wear protective rubber gloves and protective eyewear when cleaning unit.

NOTICE

Allow a minimum clearance of 1" (25 mm) along the sides and rear of unit for proper ventilation. Do not block or cover any cabinet venting.

Do not cover racks or any other part of oven with metal foil. Airflow restriction will cause oven to overheat.

Do not lay unit on front or back side. Damage to unit could occur.

NOTICE

Use non-abrasive cleaners and cloths only. Abrasive cleaners and cloths could scratch finish of unit, marring its appearance and making it susceptible to soil accumulation.

Clean unit daily to avoid malfunctions and maintain sanitary operation.

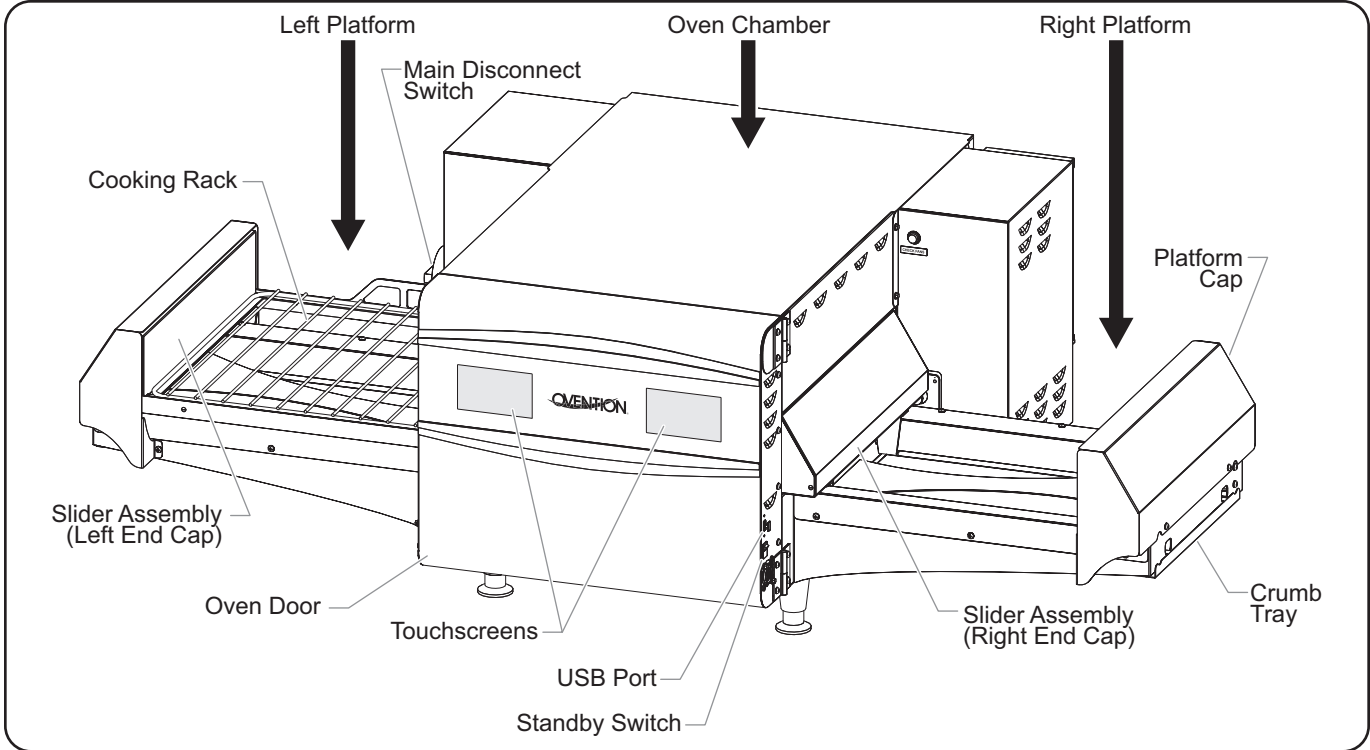
MODEL DESCRIPTION

All Models

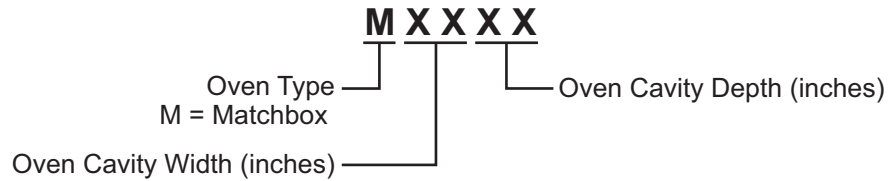
Ovention® Matchbox® Ovens are designed to provide unequalled flexibility in both kitchen and front-of-the-house installations. The variety of menu options, small footprint, low heat escape, and hood-less installation make the Matchbox Oven a single solution alternative to multiple pieces of cooking equipment.

Each Matchbox Oven is equipped with dedicated upper and lower heating elements and air blowers. The air blowers direct heated air through upper and lower jet plates inside the oven chamber, above and below the food. A slider assembly consisting of two separate cooking surfaces moves between the left platform, oven chamber, and right platform through the use of a drive motor and gear wheel. When one cooking surface is in the oven chamber, the other is on its corresponding platform awaiting the next food item.

Operator controls consist of two touchscreens (one for each cooking surface), a Standby switch, and a Main Disconnect switch (Model M1718 only). Two removable crumb trays, one below each platform, allow for easy cleanup. A USB port allows the uploading of pre-programmed menu items, installation of software updates, and opportunity for service diagnostics. A 6' (1829 mm) cord and plug set is standard.



Model Description (Model M1718 shown)



SPECIFICATIONS

Plug Configurations

Units are equipped with an electrical cord and plug appropriate for the electrical rating of the unit. Unit must be connected to a dedicated circuit.



ELECTRIC SHOCK HAZARD: Plug unit into a properly grounded electrical receptacle of the correct voltage, size, and plug configuration. If plug and receptacle do not match, contact a qualified electrician to determine and install proper voltage and size electrical receptacle.



NEMA 6-30P

NEMA 6-50P

Plug Configurations

NOTE: Receptacle not supplied by Ovention.

Electrical Rating Chart

Model	Voltage	Watts	Amps	Phase	Hertz	Plug Configuration	Unit Weight
M1313	208/240	5408/6960	26/29	1	60	NEMA 6-30P	166 lbs. (75 kg)
M1313CSA	208	4992	24	1	60	NEMA 6-30P	166 lbs. (75 kg)
M1718	208/240	9152/11760	44/49	1	60	NEMA 6-50P	229 lbs. (102 kg)
M1718CSA	208	8320	40	1	60	NEMA 6-50P	229 lbs. (102 kg)

NOTE: Ovention Matchbox Ovens are designed to accept either 208 VAC or 240 VAC. The oven will adjust automatically to the input voltage.

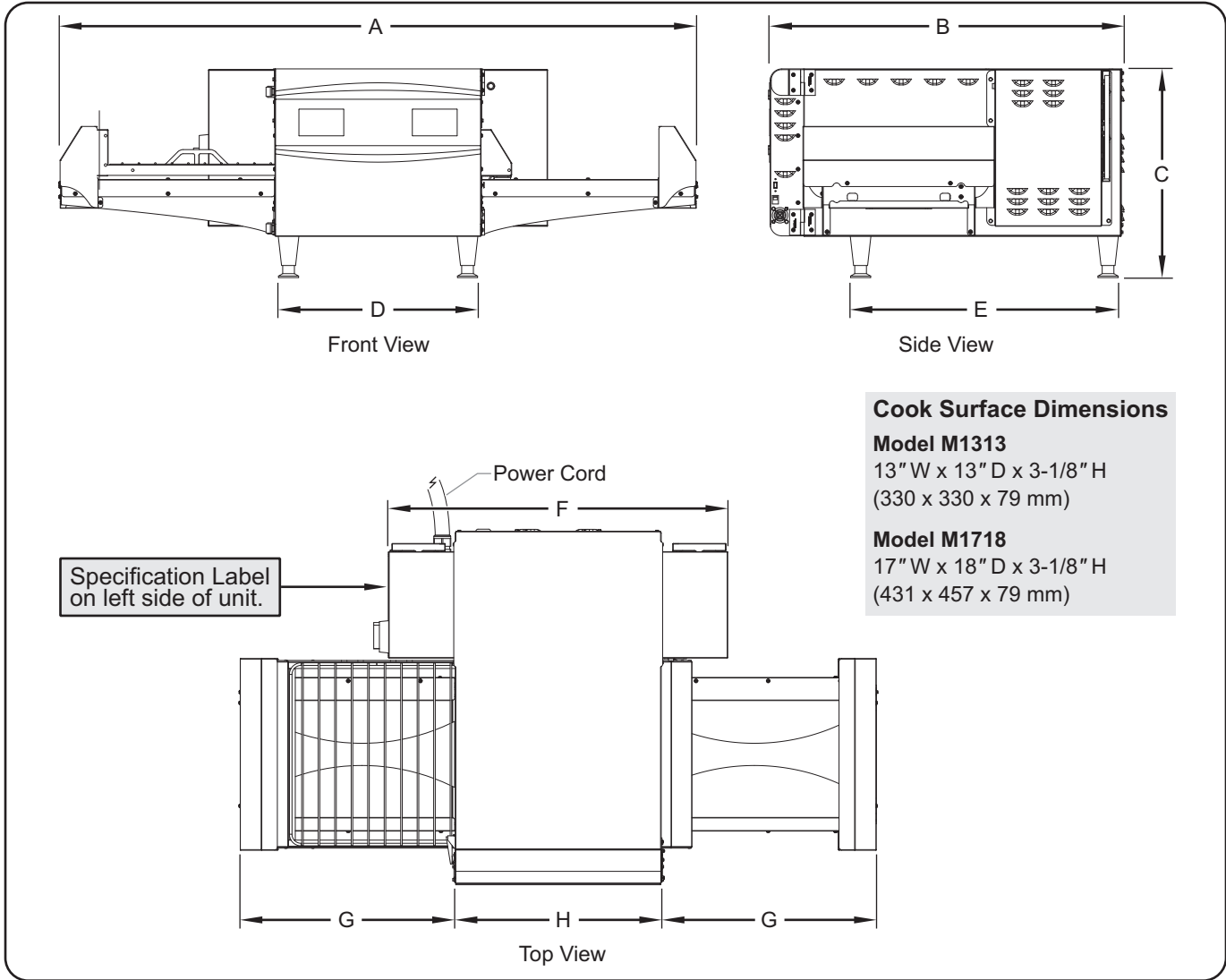
NOTE: The specification label is located on the left side of the unit. See the label for the serial number and verification of unit electrical information.

Temperature Range

The operating temperature range of the oven is 300°–525°F (149°–274°C).

Dimensions

Model	Overall Width (A)	Depth (B)	Height (C)	Footprint Width (D)	Footprint Depth (E)	Rear Width (F)	Platform Width (G)	Body Width (H)
M1313	49-7/8" (1266 mm)	28-3/4" (730 mm)	20-1/4" (514 mm)	15-7/16" (391 mm)	20-7/16" (518 mm)	29" (735 mm)	16-15/16" (430 mm)	16-1/16" (408 mm)
M1718	61-3/4" (1567 mm)	34-1/2" (876 mm)	20-1/4" (514 mm)	19-5/16" (490 mm)	26" (659 mm)	32-15/16" (835 mm)	20-7/8" (530 mm)	20" (508 mm)



Dimensions (Model M1718 shown)

General

Ovention® Matchbox® Ovens are shipped with most components pre-assembled. Care should be taken when unpacking the shipping carton to avoid damage to the unit and components enclosed.

⚠ WARNING

ELECTRIC SHOCK HAZARD: Unit is not weatherproof. Locate unit indoors where ambient air temperature is a minimum of 70°F (21°C).

FIRE HAZARD: Do not install unit on or around combustible surfaces. Discoloration or combustion could occur. Unit must be installed in non-combustible surroundings only.

⚠ CAUTION

Locate unit at proper counter height in an area that is convenient for use. Location should be level to prevent unit or its contents from falling accidentally and strong enough to support the weight of the unit and contents.

NOTICE

Do not lay unit on front or back side. Damage to unit could occur.

NOTE: Due to the size and weight of the Matchbox Oven, use the proper number of people for installation based on the weight of the oven.

1. Inspect the shipping container for obvious signs of transit damage. If damaged, inform the freight company immediately. **CAUTION! Stop! Do not attempt to use oven if damaged. Contact Ovention for assistance.**
2. Cut and remove the shipping bands from around the oven packaging.
3. Remove tape and protective packaging from all surfaces of the unit.
4. Remove cooking racks and crumb trays from packaging.
5. Inspect the oven for freight damage such as dents in the end caps or inside the oven chamber. If damaged, inform the freight company immediately.

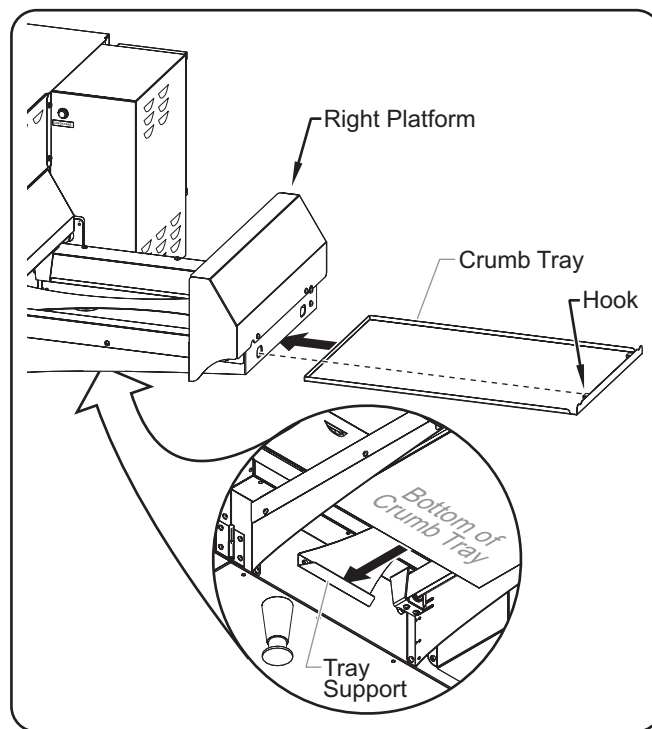
⚠ CAUTION

DO NOT lift unit by platforms on each side of oven chamber. Platforms are not designed to support weight of unit. Lift from underneath oven chamber only.

6. Place the unit in the desired location. Make sure to lift from underneath the front and rear of the oven chamber only.
 - Locate the unit in an area where the ambient air temperature is constant and a minimum of 70° F (21° C).
 - Make sure the unit is at the proper counter height in an area convenient for use.
 - Make sure the countertop/table is level and strong enough to support the weight of the unit and food product.
 - Position the unit with a minimum 1" (25 mm) clearance at the back and on either side for proper venting.
 - Make sure all the feet on the bottom of the unit are positioned securely on the countertop/table.

7. Install a crumb tray underneath each platform.

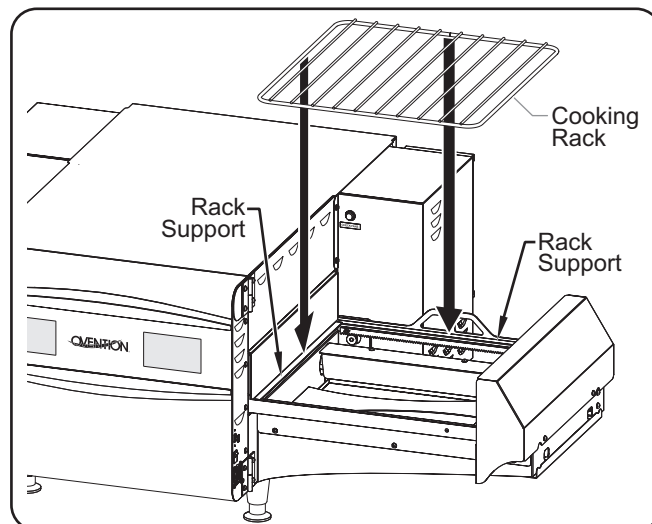
- Slide the tray underneath the platform and into the tray support against the oven chamber.
- Position the two hooks on the tray into the holes at the end of the platform.



Installing a Crumb Tray

8. Install a cooking rack onto each cooking surface of the slider assembly.

- Move the slider assembly manually to install the racks.



Installing a Cooking Rack

9. Plug the unit into a properly grounded electrical receptacle of the correct voltage, size, and plug configuration. See the SPECIFICATIONS section for details.

NOTE: The oven is suitable for either 208 VAC or 240 VAC and will adjust automatically to the voltage being supplied.

General

Use the following information and procedures to operate an Ovention® Matchbox® oven.

NOTE: Model 1313 ovens are designed for pan sizes up to a standard 1/4-size sheet pan (9"W x 13"D [229 x 330 mm]). Model 1718 ovens are designed for pan sizes up to a standard 1/2-size sheet pan (13"W x 18"D [330 x 457 mm]).



WARNING

Read all safety messages in the **IMPORTANT SAFETY INFORMATION** section before operating this equipment.

In the event of emergency, unplug unit (Model 1313) or turn OFF Main Disconnect switch (Model 1718).



CAUTION

BURN HAZARD: Some exterior surfaces on unit will get hot. Avoid unnecessary contact with unit.

Use caution and be aware of pinch points when slider assembly is moving.

Menu Item Information

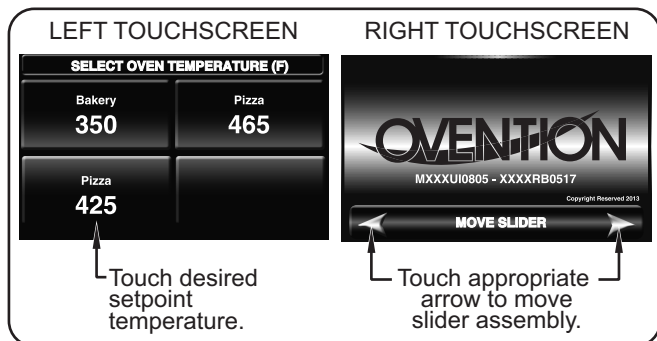
Matchbox Ovens are designed to provide unequaled flexibility and efficiency. Each oven has the capability of storing 1024 custom menu items. Menu items can be organized into Categories that group together similar items, such as different varieties of pizza. A total of 128 Categories can be created, with each Category able to contain 128 specific menu items. All Categories and/or menu items appear on the Main Recipes screen.

NOTE: It is not necessary to use Categories. The oven can be set up using specific menu items only.

At initial startup, the Main Recipes screen will show either sample menu items or customer-specific, preloaded menu items. If the Main Recipes screen shows sample menu items, these menu items can be used to help develop specific menu items appropriate for the installation. Refer to the "Programming Menu Items" procedure in this section for instructions on creating menu items.

Startup

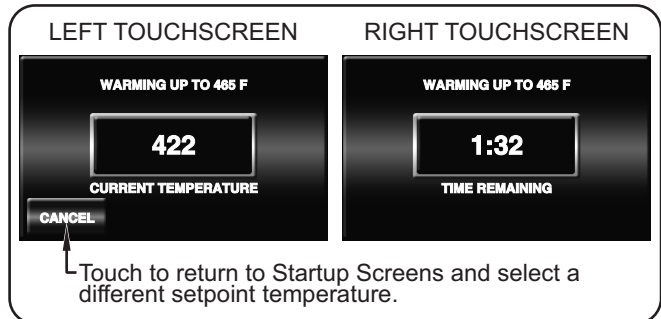
- On Model M1718, make sure the Main Disconnect switch is in the ON (I) position.
- Move the Standby switch up to the "On" position.
 - The touchscreens will energize. One touchscreen shows the available setpoint temperatures. The other touchscreen shows the name of the oven and current software version.



Startup Screens

- Touch the desired setpoint temperature on the left touchscreen.

- The slider assembly will move to its default position, if it is not already there.
- The oven heaters, air blowers, and cooling fans will start up. Allow 10–15 minutes for the oven to reach setpoint temperature.
- The left touchscreen shows the selected setpoint temperature and the current cavity temperature.
- The right touchscreens shows the selected setpoint temperature and the estimated time remaining to reach setpoint temperature.



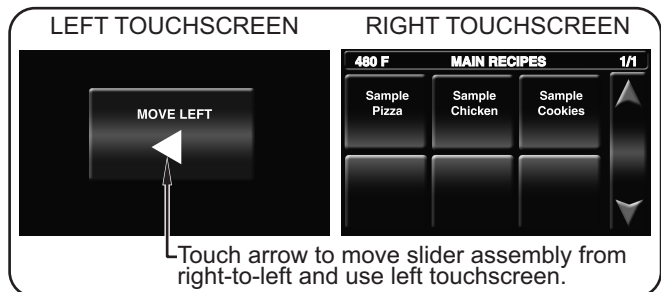
Preheat Screens

When the oven reaches setpoint temperature, the oven begins a temperature stabilizing period (a countdown screen appears).



Oven Stabilizing Screen

After the oven temperature stabilizes, the Main Recipes screen appears on one of the touchscreens, dependent upon the location of the slider assembly. The oven is now ready for cooking.



Main Recipes Screen

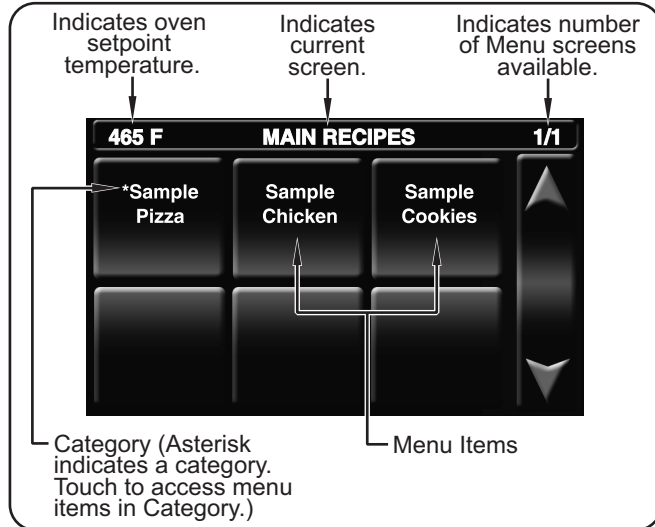
NOTE: The Menu items shown are for example only. Depending on the configuration of the oven, the Main Recipes screen will show either sample menu items or customer-specific, preloaded menu items.

Cooking

Use the following procedures to cook a single item or cook multiple items continuously.

Single Item Cooking

1. Make sure the oven has reached setpoint temperature. The Main Recipes screen will appear on one of the touchscreens.

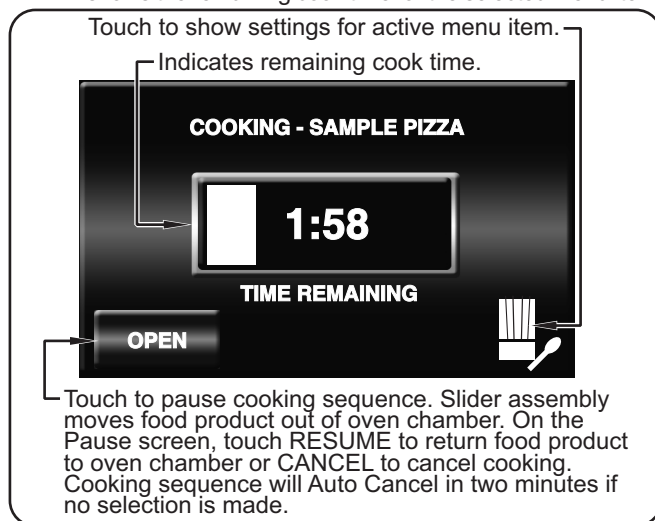


Main Recipes Screen

2. Using a paddle, pan gripper, or other utensil, place the food product onto the cooking surface that is outside of the oven chamber.

NOTE: The left touchscreen corresponds with the left cooking surface/platform, and the right touchscreen corresponds with the right cooking surface/platform.

3. Touch the desired menu item on the corresponding touchscreen.
 - The slider assembly moves the food product into the oven chamber, and the cooking sequence begins.
 - The touchscreen changes to the Cooking screen and shows the remaining cook time for the selected menu item.



Cooking Screen

- If the selected menu item contains any Cook Events, a Cook Event countdown screen will appear on the touchscreen opposite the Cooking Screen. When the Cook Event occurs, the slider assembly will move the food product out of the oven chamber. Complete the action on the food item, and touch RESUME on the Cook Event screen to continue the cooking sequence. See "Programming a Cook Event" in this section for a detailed description of Cook Events.
- When the cooking sequence is finished, the touchscreen flashes "DONE", an audible alert sounds, and the slider assembly moves the food product out of the oven chamber.

CAUTION

BURN HAZARD: Pan/tray will be very hot upon removal—use oven mitt, pan gripper, or other utensil to remove.

4. Using a paddle, pan gripper, or other utensil, remove the cooked food product.

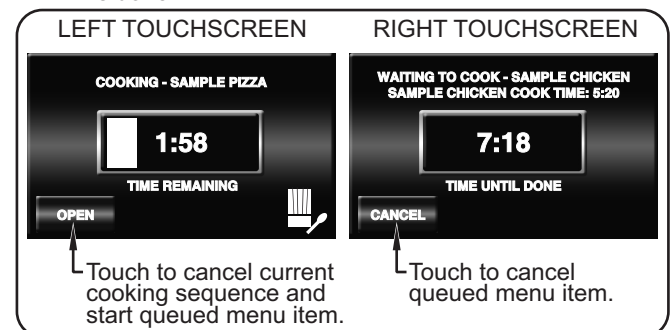
Queued Item Cooking (Continuous Cooking)

1. Perform steps 1–3 of the "Single Item Cooking" procedure in this section.
 - The slider assembly moves the food product into the oven chamber, and the cooking sequence begins.

2. Using a paddle, pan gripper, or other utensil, place the next food product onto the opposite cooking surface that is now outside of the oven chamber.

NOTE: If the selected menu item has any Cook Events, queued item cooking will not be available until all Cook Events are complete.

3. Touch the desired menu item on the corresponding touchscreen.
 - The touchscreen changes to the Queue screen and shows the queued menu item, the queued item cook time, and the total time remaining until the queued item is done.



Touchscreens During Queued Item Cooking

- When the first cooking sequence has 10 seconds remaining, the Queue screen flashes yellow to indicate that the slider assembly is about to move.
 - When the first cooking sequence is complete, the corresponding touchscreen flashes "DONE", an audible alert sounds, and the slider assembly moves the cooked food product out of the oven chamber while moving the queued food product into the oven chamber.
4. Using a paddle, pan gripper, or other utensil, remove the cooked food product.
 5. Repeat steps 2–4 of this procedure for continuous, queued item cooking.

Shutdown

1. Move the Standby switch down to the “Off” position.
 - The oven heaters and touchscreens will shut off.
 - The air blowers and cooling fans will continue to operate until the oven chamber temperature drops below 140°F (60°C).



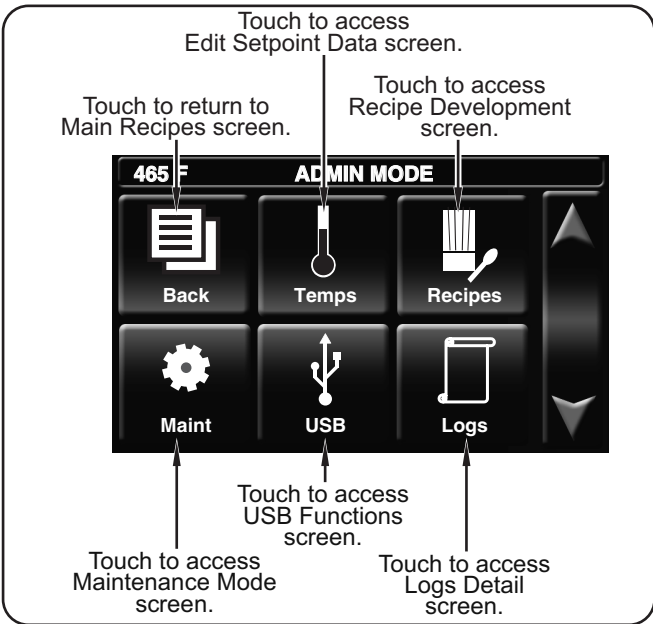
Do not turn off Main Disconnect switch or unplug unit immediately after use. Internal fans must cool oven to avoid damage to electrical components.

Programming Menu Items

Use the following procedures to edit, create, or delete menu items and categories. These procedures require access to password-protected screens and should be performed by authorized personnel only.

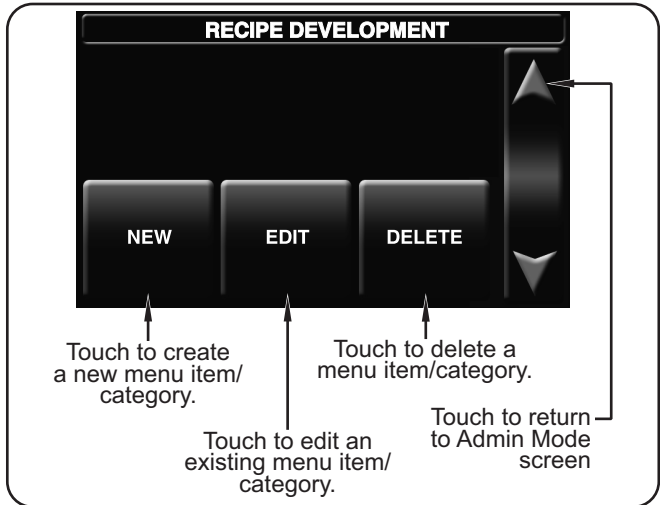
NOTE: The USB port allows the uploading of pre-programmed menu items from an external USB drive. Refer to the “Uploading from a USB Drive” procedure in this section for details.

1. From the Main Recipes screen, touch the “up” arrow.
 - A password keypad will appear on the touchscreen.
2. Input the password using the keypad, and touch ENTER.
 - The Admin Mode screen will appear on the touchscreen.



Admin Mode Screen

3. Touch RECIPES to access the Recipe Development screen.



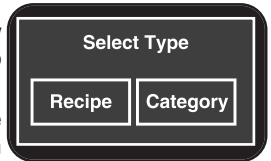
Recipe Development Screen

4. Touch NEW, EDIT, or DELETE on the Recipe Development screen, depending on the desired function. Then, refer to the appropriate procedure in this section.

Creating New Menu Items/Categories

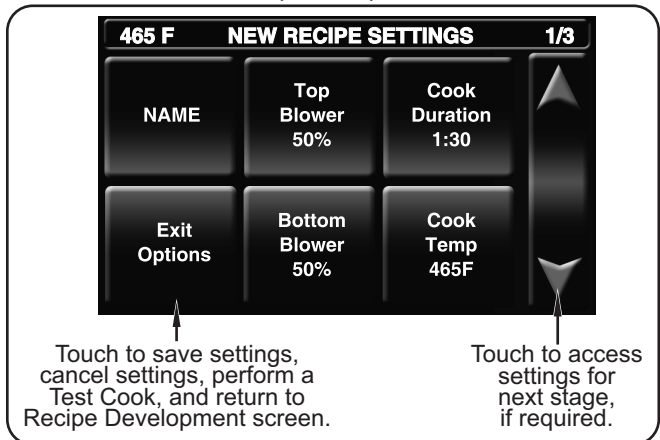
1. After touching NEW on the Recipe Development screen, the New Recipe/Category screen will appear. This screen will look like the Main Recipes Screen.

2. Touch an empty box. The “Select Type” window will appear. If no empty boxes are available, touch the “down” arrow to scroll to the next screen.



3. Touch **RECIPE** to create a new menu item or **CATEGORY** to create a new category.

- **For new menu items**, the New Recipe Settings Screen will appear.
- **For new categories**, a keypad appears. Type the name of the new category, then touch ENTER. The Recipe Development screen reappears. To add menu items to the new category:
 - a. Touch NEW on the Recipe Development screen.
 - b. Touch the new category that is now available on the New Recipe/Category screen.
 - c. Touch an empty box in the new category and continue with the next step in this procedure.



New Recipe Settings Screen

4. Touch each “setting” box on the New Recipe Settings screen to edit the corresponding setting. Settings include item name, top blower percentage, bottom blower percentage, cook duration, and cook temperature.

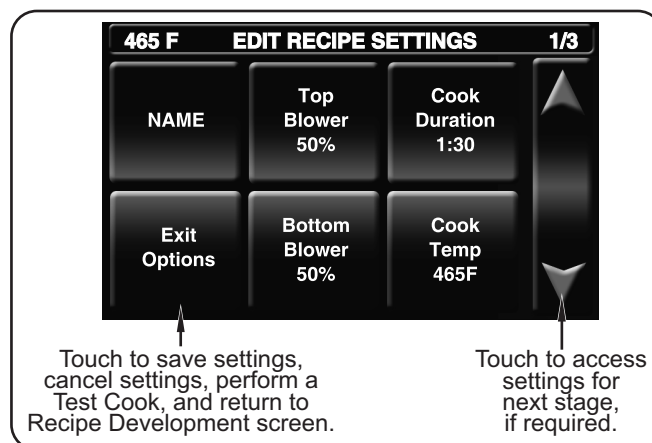
- Touching a “setting” box will bring up a keypad specific to the setting. Enter the desired value using the keypad, then touch ENTER to return to the New Recipe Settings screen.
- Menu item names can have up to 16 characters.
- Touch the “down” arrow to access the settings for stages 2 and 3. Each menu item can be programmed to have up to three stages, depending on the food product. Stages are programmed with unique settings to create a customized cooking sequence for the menu item.

NOTE: It is not necessary to create stages for a menu item if it is not required by the food product. If unique stages are not required, leave the cook time setting for stages 2 and 3 at zero.

5. When programming is complete, touch EXIT OPTIONS on the New Recipe Settings screen.
 - a. The Recipe Dev Exit Options screen will appear.
 - b. Touch the desired option: EXIT AND SAVE, EXIT (without saving), CONTINUE EDITING, or TEST COOK.
 - If one of the “EXIT” options was touched, the Recipe Development screen appears. If all programming is complete, touch the “up” arrow to return to the Admin Mode screen.
 - To program additional menu items, repeat the appropriate steps of this procedure.

Editing Menu Items/Categories

1. After touching EDIT on the Recipe Development screen, the Edit Recipe/Category screen will appear. This screen will look like the Main Recipes screen.
2. **To edit a menu item**, touch the desired menu item, and the Edit Recipe Settings screen will appear.
3. **To edit a category**, touch the desired category. The “Edit Category” window will appear.
 - Touch RECIPE to edit a menu item in the selected category. Touch the desired menu item, and the Edit Recipe Settings screen will appear. Continue with the next step in this procedure.
 - Touch NAME to rename the selected category using the keypad that appears, then touch ENTER. The Recipe Development screen reappears. Renaming is complete.



Edit Recipe Settings Screen

4. Touch each “setting” box on the Edit Recipe Settings screen to edit the corresponding setting. Settings include item name, top blower percentage, bottom blower percentage, cook duration, and cook temperature.
 - Touching a “setting” box will bring up a keypad specific to the setting. Enter the desired value using the keypad, then touch ENTER to return to the Edit Recipe Settings screen.
 - Menu item names can have up to 16 characters.
 - Touch the “down” arrow to access the settings for stages 2 and 3, if necessary.

NOTE: It is not necessary to create stages for a menu item if it is not required by the food product. If unique stages are not required, leave the cook time setting for stages 2 and 3 at zero.

5. When editing is complete, touch EXIT OPTIONS on the corresponding Edit Recipe/Category screen.
 - a. The Recipe Dev Exit Options screen will appear.
 - b. Touch the desired option: EXIT AND SAVE, EXIT (without saving), CONTINUE EDITING, or TEST COOK.
 - If one of the “EXIT” options was touched, the Recipe Development screen appears. If all editing is complete, touch the “up” arrow to return to the Admin Mode screen.
 - To edit additional menu items, repeat the appropriate steps of this procedure.

Deleting Menu Items/Categories

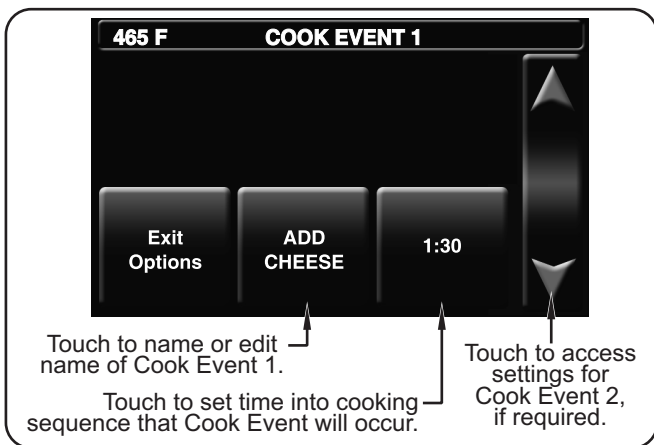
1. After touching DELETE on the Recipe Development screen, the Delete Recipe/Category screen will appear. This screen will look like the Main Recipes screen.
2. Touch the desired menu item or category to delete. The “Delete This Entry?” window will appear.
 - Touch YES to delete the menu item or category. The Recipe Development screen reappears.
 - Touch NO to return to the Recipe Development screen without deleting.
3. When deleting is complete, touch the “up” arrow to return to the Admin Mode screen



Programming a Cook Event

A Cook Event is a feature that can be programmed into menu items that allows an action to be taken on a food product during a cooking sequence (example: ADD CHEESE). A Cook Event pauses an in progress cooking sequence and signals the slider assembly to move the food product out of the oven chamber. After the action is taken on the food product, the slider assembly moves the product back into the oven chamber and the cooking sequence resumes. Up to two Cook Events can be programmed into a menu item. Use the following procedure to program a Cook Event.

1. Follow the procedure for creating or editing a menu item described earlier in this section.
2. After programming the settings for the desired number of stages on the New Recipe Settings/Edit Recipe Settings screen, touch the “down” arrow to scroll past the stages to the Cook Event 1 screen.



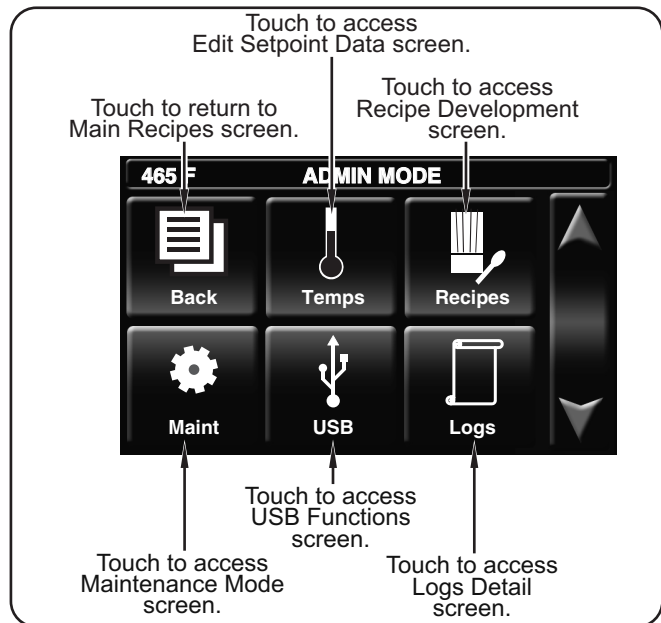
Cook Event 1 Screen

3. Touch the center box on the Cook Event screen to name the cook event using the keypad that appears, then touch ENTER.
4. Touch the right-side box on the Cook Event screen to set the time into the cooking sequence when the cook event should occur. Enter the desired value using the keypad, then touch ENTER.
5. If a second Cook Event is required, touch the “down” arrow to access the Cook Event 2 screen and repeat steps 3 and 4.
6. When programming is complete, touch EXIT OPTIONS.
 - a. The Recipe Dev Exit Options screen will appear.
 - b. Touch the desired option: EXIT AND SAVE, EXIT (without saving), CONTINUE EDITING, or TEST COOK.
 - If one of the “EXIT” options was touched, the Recipe Development screen appears. If all programming is complete, touch the “up” arrow to return to the Admin Mode screen.
 - To program additional menu items, repeat the appropriate steps of this procedure.

Editing Setpoint Temperatures

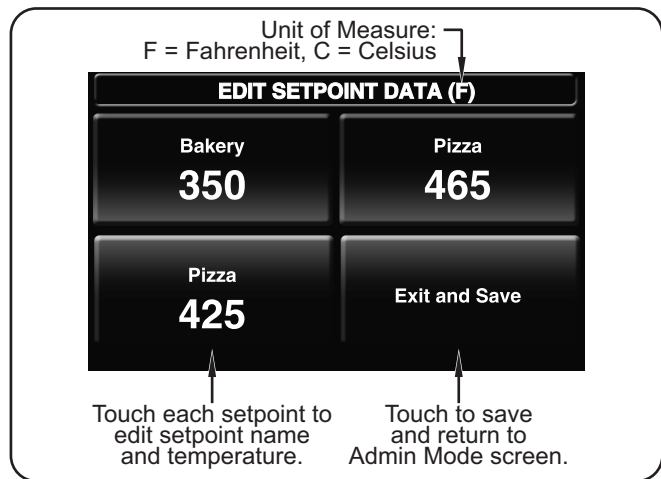
Use the following procedure to edit the setpoint temperature(s) available at oven startup. This procedure requires access to password-protected screens and should be performed by authorized personnel only.

1. From the Main Recipes screen, touch the “up” arrow.
 - A password keypad will appear on the touchscreen.
2. Input the password using the keypad, and touch ENTER.
 - The Admin Mode screen will appear on the touchscreen.



Admin Mode Screen

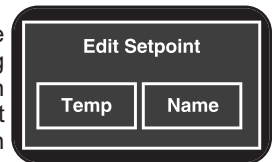
3. Touch TEMPS to access the Edit Setpoint Data screen.
 - The oven can store up to three setpoint temperatures.



Edit Setpoint Data Screen

4. Touch the desired setpoint to edit. The “Edit Setpoint” window will appear.

- Touch TEMP to edit the setpoint temperature using the keypad that appears, then touch ENTER. The Edit Setpoint Data screen reappears.



- Touch NAME to edit the setpoint name using the keypad that appears, then touch ENTER. The Edit Setpoint Data screen reappears.

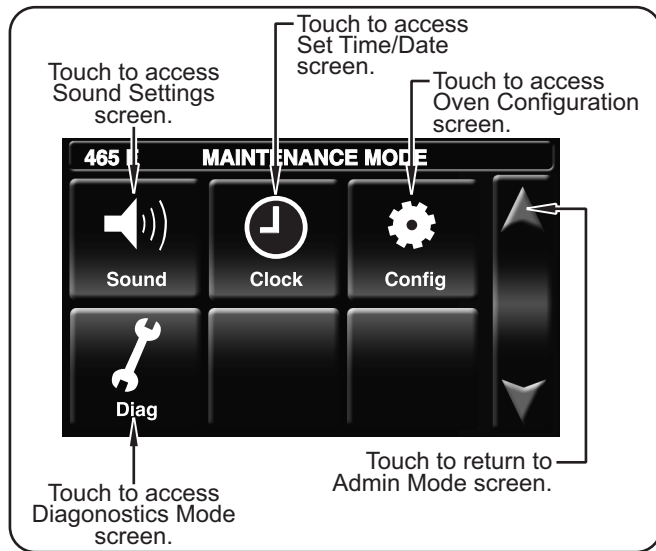
5. Repeat step 4 to edit another setpoint name/temperature.

- When the setpoint temperature changes are complete, touch EXIT AND SAVE to return to the Admin Mode screen.
 - If programming is complete, touch BACK to return to the Main Recipes screen.

Changing Temperature Unit of Measure

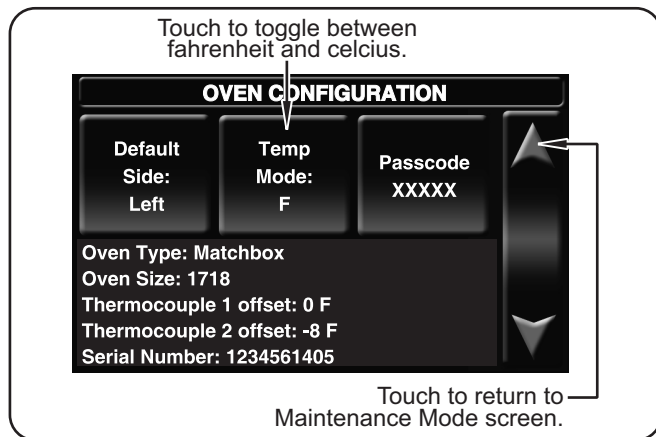
Use the following procedure to change the temperature unit of measure between fahrenheit and celsius. This procedure requires access to password-protected screens and should be performed by authorized personnel only.

- From the Main Recipes screen, touch the “up” arrow.
 - A password keypad will appear on the touchscreen.
- Input the password using the keypad, and touch ENTER.
 - The Admin Mode screen will appear on the touchscreen.
- Touch MAINT to access the Maintenance Mode screen.



Maintenance Mode Screen

- Touch CONFIG on the Maintenance Mode screen. The Oven Configuration screen appears.
- Touch TEMP MODE on the Oven Configuration screen to toggle the unit of measure between fahrenheit and celsius.



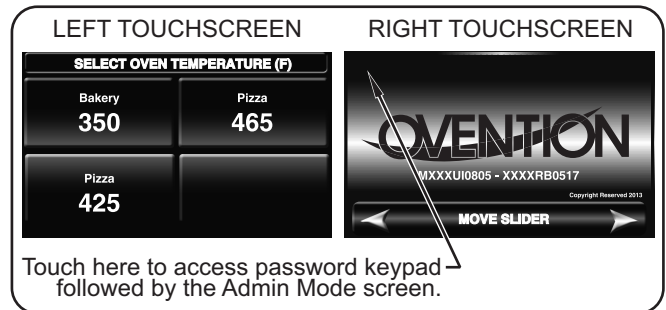
Oven Configuration Screen

Uploading from a USB Drive

Use the following procedure to upload pre-programmed menu items or firmware updates from an external USB drive. This procedure requires access to password-protected screens and should be performed at oven startup by authorized personnel only.

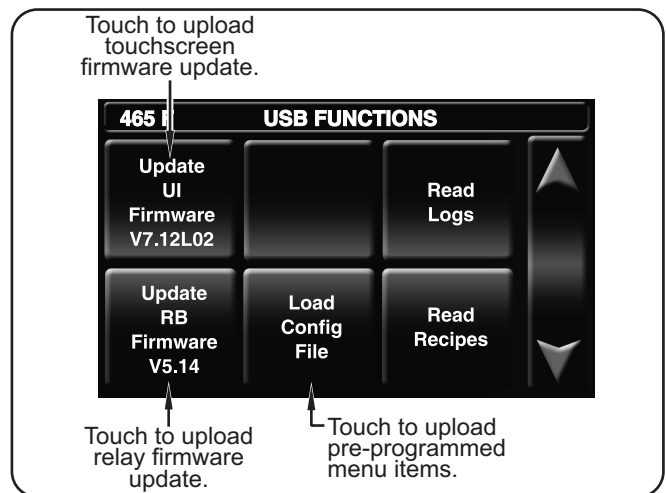
NOTE: USB drive must have a capacity of 4 GB or less.

- Move the Standby switch up to the “On” position.
 - The touchscreens will energize. One touchscreen shows the available setpoint temperatures. The other touchscreen shows the name of the oven and current software version.
- Remove the cover from the USB port above the Standby switch, and insert the USB drive into the port.
- Touch the upper left-hand corner on the right touchscreen.
 - A password keypad will appear on the touchscreen.



Startup Screens

- Input the password using the keypad, and touch ENTER.
 - The Admin Mode screen will appear.
- Touch USB to access the USB Functions screen.



USB Funtions Screen

- Touch the desired function to begin the corresponding upload.
 - Select the upload file from the list that appears.
 - A screen will appear to indicate that the upload is in progress.
 - When the upload is complete, the oven will restart.
- When the startup screens reappear, remove the USB drive from the USB port, and replace the port cover.
- Perform the normal “Startup” procedure at the beginning of this section to use the oven.

General

Ovention® Matchbox® Ovens are designed for maximum durability and performance with minimum maintenance.



WARNING

ELECTRIC SHOCK HAZARD:

- Turn off Standby switch, allow unit to cool, and unplug unit/turn OFF Main Disconnect switch before performing any cleaning, adjustments, or maintenance.
- DO NOT submerge or saturate with water. Unit is not waterproof. Do not operate if unit has been submerged or saturated with water.
- Do not steam clean or use excessive water on unit.
- This unit is not “jet-proof” construction. Do not use jet-clean spray to clean this unit.
- Do not clean unit when it is energized or hot.
- Do not clean unit with metal scouring pads. Metal pieces can break off pad and touch electrical components, creating risk of electric shock.
- This unit must be serviced by qualified personnel only. Service by unqualified personnel may lead to electric shock or burn.
- Use only Genuine Ovention Replacement Parts when service is required. Failure to use Genuine Ovention Replacement Parts will void all warranties and may subject operators of the equipment to hazardous electrical voltage, resulting in electrical shock or burn. Genuine Ovention Replacement Parts are specified to operate safely in the environments in which they are used. Some aftermarket or generic replacement parts do not have the characteristics that will allow them to operate safely in Ovention equipment.

This unit has no “user-serviceable” parts. If service is required on this unit, contact an Authorized Ovention Service Agent or contact the Ovention Hotline at 855-298-6836.



CAUTION

Do not move or relocate unit for cleaning. Unit is bulky and heavy.

Never use steel pads, wire brushes, or scrapers to clean unit.

Wear protective rubber gloves and protective eyewear when cleaning unit.

Improper cleaning of oven could damage catalyst and will void unit warranty.

IMPORTANT NOTE:

Use of cleaning chemicals not approved by Ovention when cleaning the oven chamber will void the warranty.

Daily Cleaning

To maintain performance and preserve the finish of the Ovention Matchbox Oven, clean the unit daily.



CAUTION

Do not turn off Main Disconnect switch or unplug unit immediately after use. Internal fans must cool oven to avoid damage to electrical components.



NOTICE

Use non-abrasive cleaners and cloths only. Abrasive cleaners and cloths could scratch finish of unit, marring its appearance and making it susceptible to soil accumulation.

1. Turn off the Standby switch and allow unit to cool. Cooling fans will operate until the oven chamber temperature drops below 140°F (60°C).
2. After the cooling fans shut off, disconnect the unit from the power supply:
 - For Model M1313, unplug the power cord.
 - For Model M1718, move the Main Disconnect switch to the OFF (O) position.
3. Remove and discard any remaining food product.
4. Remove and clean each cooking rack using a damp non-abrasive cloth or nylon scouring pad (a non-abrasive cleaner may be used for difficult stains).
5. Remove any spillages using damp paper towel or a non-abrasive cloth.
6. Remove and clean each crumb tray.
 - Brush crumbs into a waste container.
 - Clean the tray using damp paper towel.
7. Reinstall the crumb trays (see OPERATION section for details).
8. Wipe down all exterior surfaces using a non-abrasive, damp cloth (a non-abrasive cleaner may be used for difficult stains).
9. Wipe dry all surfaces using a non-abrasive, dry cloth.
10. Polish the exterior surfaces of the oven using a good quality stainless steel cleaner.

Weekly Cleaning

1. Turn off the Standby switch and allow unit to cool. Cooling fans will operate until the oven chamber temperature drops below 140°F (60°C).
2. After the cooling fans shut off, disconnect the unit from the power supply:
 - For Model M1313, unplug the power cord.
 - For Model M1718, move the Main Disconnect switch to the OFF (O) position.

NOTE: To access all sides of the end caps and center divider, the slider assembly must be moved manually during the procedure. See the “Cleaning the Slider Assembly” illustration in this procedure for details.

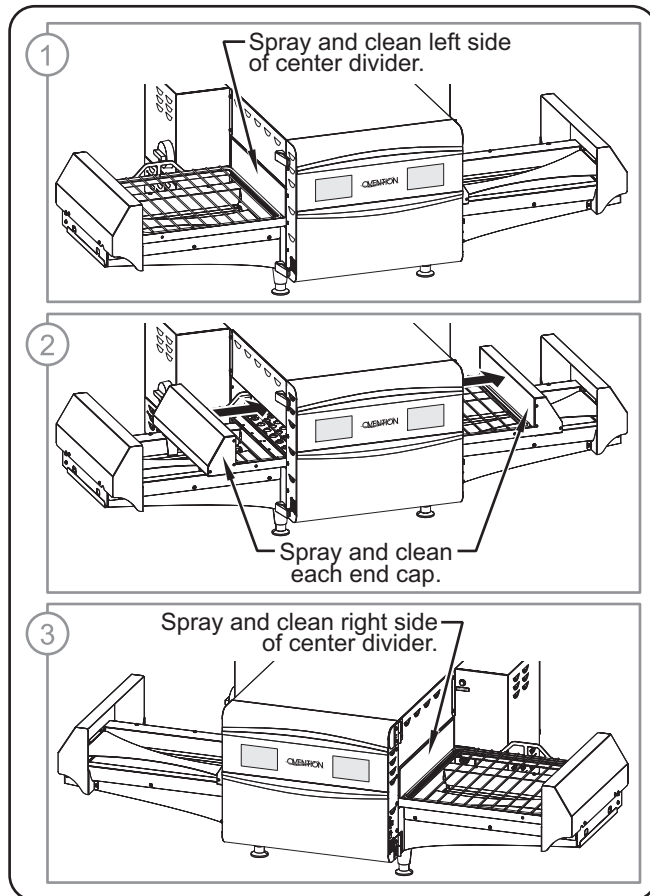
3. Carefully spray Chemco Dirt Buster III Oven Cleaner onto all sides of the two end caps and center divider on the slider assembly (see illustration).

NOTE: Do not spray cleaner directly into the fan opening at the rear inside of the oven chamber.

4. Using a non-abrasive nylon scouring pad, clean the two end caps and center divider on the slider assembly. Clean any other visible area affected by the grease from cooking as well.

continued...

5. Wipe all surfaces clean using a damp, non-abrasive cloth.
6. Wipe dry all surfaces using a non-abrasive, dry cloth.
7. Perform the "Daily Cleaning" procedure in this section.



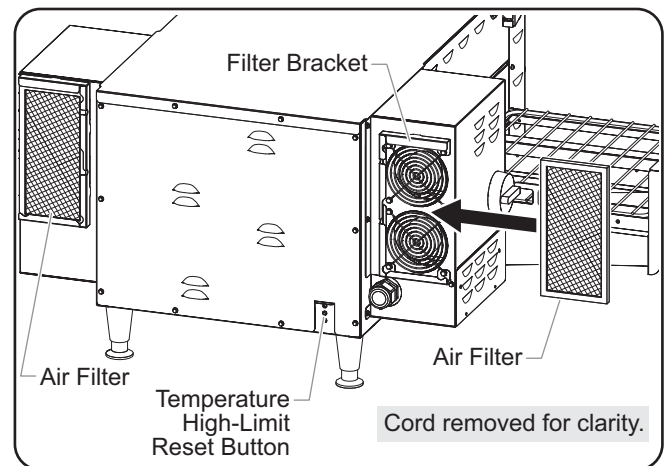
Cleaning the Slider Assembly

Monthly Cleaning

1. Turn off the Standby switch and allow unit to cool. Cooling fans will operate until the oven chamber temperature drops below 140°F (60°C).
2. After the cooling fans shut off, disconnect the unit from the power supply:
 - For Model M1313, unplug the power cord.
 - For Model M1718, move the Main Disconnect switch to the OFF (O) position.
3. Remove and clean the two air filters on the back of the oven. To clean each filter:
 - a. Slide the filter straight out the side of the filter bracket.
 - b. Spray the filter with water and/or soak in soap and water.
 - c. Rinse clean and allow the filter to air dry.
 - d. When the filter is dry, reinstall the filter into the filter bracket.

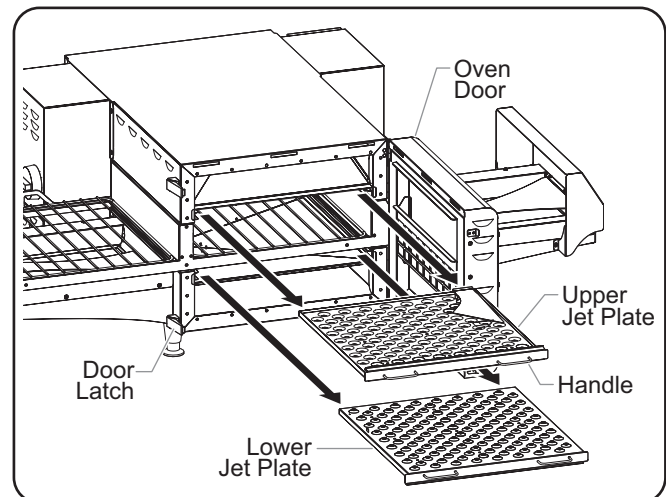
IMPORTANT NOTE:

Use of cleaning chemicals not approved by Ovention when cleaning the oven chamber will void the warranty.



Cleaning the Air Filters

4. Remove and clean the upper and lower jet plates inside the oven chamber. To clean the jet plates:
 - a. Unlatch and open the oven door so that the inside of the oven chamber is exposed.
 - b. Remove the upper and lower jet plates. Remove the plates by pulling the handles straight out of the oven.
 - c. Spray Chemco Dirt Buster III Oven Cleaner onto both sides of each jet plate. Allow the cleaner to sit for 3–5 minutes.
 - d. Using a non-abrasive nylon scouring pad, apply pressure to wipe away grease residue.
 - e. Wipe the jet plates clean using a damp, non-abrasive cloth and allow to air dry. Do not reinstall at this time.



Cleaning the Jet Plates

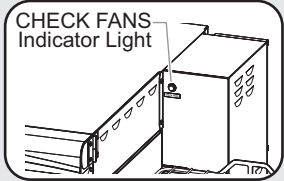
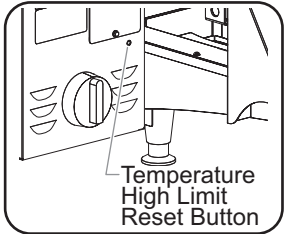
5. Clean the visible areas of the oven chamber using the same procedure as the jet plates (steps "c" through "e" above).
6. Reinstall the upper and lower jet plates into the oven chamber.
7. Close the oven door and secure both door latches.
8. Perform the "Weekly Cleaning" procedure in this section.

⚠ WARNING

This unit must be serviced by qualified personnel only. Service by unqualified personnel may lead to electric shock or burn.

⚠ WARNING

ELECTRIC SHOCK HAZARD: Turn off Standby switch, allow unit to cool, and unplug unit/turn OFF Main Disconnect switch before performing any cleaning, adjustments, or maintenance.

Symptom	Probable Cause	Corrective Action
Oven does not operate (blank touchscreen).	Standby switch turned off, Main Disconnect turned OFF (O), or unit unplugged.	Make sure unit is plugged in, Main Disconnect switch is in ON (I) position (Model M1718 only), and Standby switch is moved up to the "On" position.
	Unit connected to incorrect power supply.	Refer to SPECIFICATIONS section for unit electrical specifications. Contact a qualified electrician to determine and install proper voltage and size electrical receptacle.
Irregular slider movement.	Loose screw and/or bracket.	Check all screws on slider system. Tighten screws, if necessary.
	Malfunction of gear and/or slider system.	Contact Authorized Service Agent or Ovention® Hotline for assistance.
	Incorrect software installed on oven operating system.	Contact Authorized Service Agent or Ovention Hotline for assistance.
Improper cooking of food.	Incorrect setpoint temperature or menu item selection.	Verify desired setpoint temperature and menu item selection. Change to proper settings, if necessary (refer to OPERATION section).
	Jet plate or air flow malfunction.	Contact Authorized Service Agent or Ovention Hotline for assistance.
CHECK FANS indicator light is on (located on front, right side of oven chamber). 	Ambient air temperature is over 95°F (35°C).	Light will illuminate in ambient temperatures over 120°F (49°C). Verify light shuts off after ambient temperature drops below 120°F (49°C) consistently. If not, see "Probable Causes" listed below.
	Air filters are dirty.	Check air filters and clean, if necessary. Refer to "Monthly Cleaning" procedure in MAINTENANCE section.
	Cooling fan(s) malfunction.	Contact Authorized Service Agent or Ovention Hotline for assistance.
Oven not heating. 	Temperature High Limit switch has tripped.	Press the Temperature High Limit Reset Button located on the rear, left side of the oven chamber near the Main Disconnect switch. If switch continues to trip, contact Authorized Service Agent or Ovention Hotline for assistance.

NOTE: To locate an Authorized Ovention Service Agent, access the Ovention website at www.oventionovens.com and select the Service & Support tab, or call the Ovention Hotline at 855-298-OVEN(6836).

Stacking Kits

Stacking kits are available for stacking one unit on top of another. The stacking option requires the purchase of an additional unit along with a stacking kit to secure the top unit to the bottom unit. Installation instructions included in kit.

OVNTN-STK-1Stacking Kit, Model M1718 on M1718

M1313-STKStacking Kit, Model M1313 on M1313

M1313/M1718-STK ..Stacking Kit, Model M1313 on M1718

Trays, Racks, and Other Utensils

Several types of trays, racks, and utensils are available for the Matchbox® ovens.

M1313-STTSolid Teflon Tray, Model M1313

M1718-STTSolid Teflon Tray, Model M1718

M1313-MTTMesh Teflon Tray, Model M1313

M1718-MTTMesh Teflon Tray, Model M1718

M1313-HDG.....Mesh Hot Dog Grill, Model M1313

M1718-HDG.....Mesh Hot Dog Grill, Model M1718

M1313-OSRKOffset Rack, Model M1313

M1718-OSRKOffset Rack, Model M1718

M1313-GRK.....Grill Rack, Model M1313

M1718-GRK.....Grill Rack, Model M1718

M1313-PRKPizza Rack, Model M1313

M1718-PRKPizza Rack, Model M1718

M1313-RCTPG ..Rectangular Panini Grill Pan, Model M1313

M1718-RCTPG ..Rectangular Panini Grill Pan, Model M1718

M1313-PGRound Panini Grill Pan, Model M1313

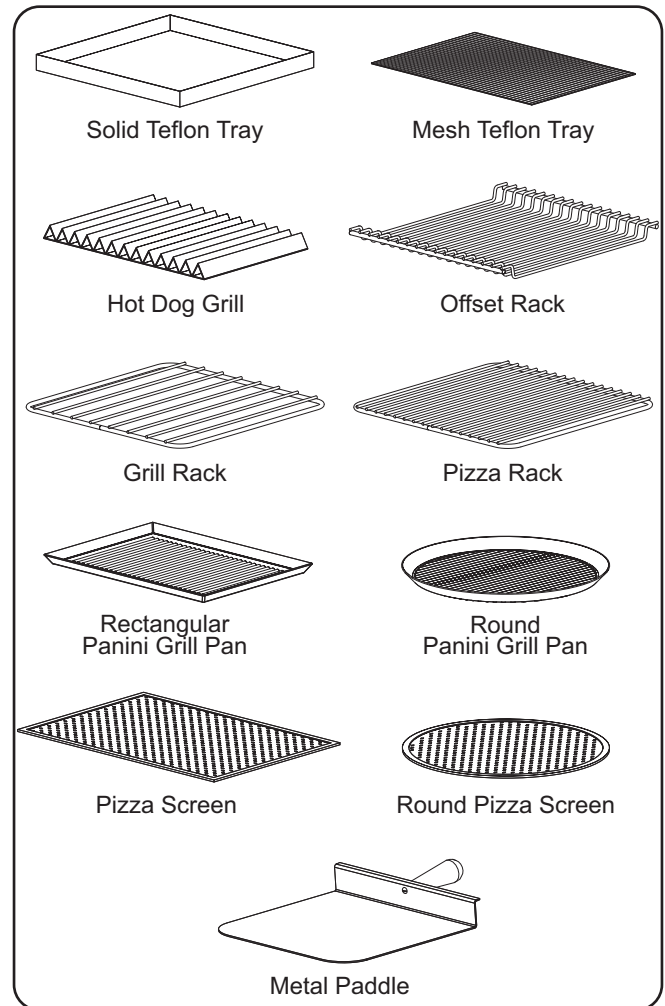
M1718-PGRound Panini Grill Pan, Model M1718

OVNTN-PS11X16..Pizza Screen, 11" x 16" (279 x 406 mm)

OVNTN-PS12Round Pizza Screen, 12" (305 mm)

OVNTN-PS16Round Pizza Screen, 16" (406 mm)

OVNTN-PDLMetal Paddle



Miscellaneous

OVNTN-FILReplacement Air Filter

OVNTN-CLNROven Cleaner, case of six bottles

NOTE: Use Oven Cleaner to clean cooking grease and residue safely from the slider system end caps, jet plates, and oven chamber.

1. PRODUCT WARRANTY

Ovention®, Inc. (“Ovention”) warrants the products that it manufactures (the “Products”) to be free from defects in materials and workmanship, under normal use and service, for a period of one (1) year from the date of purchase when installed and maintained in accordance with Ovention’s written instructions or 18 months from the date of shipment from Ovention. Buyer must establish the product’s purchase date with Ovention sales representative or by other means satisfactory to Ovention in its sole discretion.

Ovention warrants the following Product components to be free from defects in materials and workmanship from the date of purchase (subject to the foregoing conditions) for the period(s) of time and on the conditions listed below:

- **Ninety (90) Day Parts-Only Warranty:**
Replacement Parts

THE FOREGOING WARRANTIES ARE EXCLUSIVE AND IN LIEU OF ANY OTHER WARRANTY, EXPRESSED OR IMPLIED, INCLUDING BUT NOT LIMITED TO ANY IMPLIED WARRANTY OF MERCHANTABILITY OR FITNESS FOR A PARTICULAR PURPOSE OR PATENT OR OTHER INTELLECTUAL PROPERTY RIGHT INFRINGEMENT. Without limiting the generality of the foregoing, SUCH WARRANTIES DO NOT COVER: Damage to touchscreens from abuse or impact; Wear items such as air filters and conveyor belts; Damage to catalyst from use of non-approved cleaning products; Product misuse, tampering or misapplication; improper installation; lack of or improper cleaning; or application of improper voltage.

2. LIMITATION OF REMEDIES AND DAMAGES

Ovention’s liability and Buyer’s exclusive remedy hereunder will be limited solely, at Ovention’s option, to repair or replacement by an Ovention-authorized service agency (other than where Buyer is located outside of the United States, Canada, United Kingdom or Australia, in which case Ovention’s liability and Buyer’s exclusive remedy hereunder will be limited solely to replacement of part under warranty) with respect to any claim made within the applicable warranty period referred to above. Ovention reserves the right to accept or reject any such claim in whole or part. Ovention will not accept the return of any Product without prior written approval from Ovention, and all approved returns shall be made at Buyer’s sole expense. OVENTION WILL NOT BE LIABLE, UNDER ANY CIRCUMSTANCES, FOR CONSEQUENTIAL OR INCIDENTAL DAMAGES, INCLUDING BUT NOT LIMITED TO LABOR COSTS OR LOST PROFITS RESULTING FROM THE USE OF OR INABILITY TO USE THE PRODUCTS OR FROM THE PRODUCTS BEING INCORPORATED IN OR BECOMING A COMPONENT OF ANY OTHER PRODUCT OR GOODS.

Informations Importantes pour le Propriétaire	19	Cuisson	26
Introduction	19	Arrêt	26
Consignes de Sécurité Importantes	20	Programmation des rubriques de menu	27
Description du Modèle	21	Programmation d'un évènement de cuisson.....	28
Désignation du Modèle	22	Édition des points de consigne de température	30
Caractéristiques Techniques	22	Changer l'unité de mesure de la température	30
Configuration des fiches	22	Téléchargement à partir d'une clé USB	31
Tableau des valeurs nominales électriques	22	Maintenance	32
Plage de températures.....	22	Généralités	32
Dimensions	23	Nettoyage quotidien	32
Installation	24	Nettoyage hebdomadaire.....	33
Généralités.....	24	Nettoyage mensuel	34
Mode d'emploi	25	Guide de Dépannage	35
Généralités.....	25	Options et accessoires	36
Informations sur les rubriques de menu	25	Garantie Limitée	37
Allumage	25		

INFORMATIONS IMPORTANTES POUR LE PROPRIÉTAIRE

Notez le numéro de modèle, le numéro de série, la tension et la date d'achat de l'appareil dans les espaces ci-dessous (étiquette des caractéristiques du produit située sur la partie gauche de l'appareil). Veuillez avoir cette information à portée de la main si vous appelez Ovention® pour assistance.

Modèle No. _____

Numéro de série _____

Voltage _____

Date d'achat _____

Horaires

ouvrables: Heure du Centre des États-Unis (CST)

(Horaires d'été : juin à septembre—
8h00 à 17h00 CST du lundi au jeudi
8h00 à 14h30 CST le vendredi)

Téléphone: 855-298-6836 (la ligne d'appel d'urgence)

Courriel: partsandservice@oventionovens.com

Des renseignements supplémentaires sont disponibles sur notre site Web à www.oventionovens.com.



INTRODUCTION

Les fours Ovention Matchbox® établissent de nouvelles normes de qualité, de vitesse, de flexibilité et d'efficacité en matière de cuisson. Grâce à une nouvelle découverte dans le traitement de l'air, non seulement le processus de cuisson est accéléré, mais l'air est également « purifié et recirculé » à l'intérieur du four, ce qui supprime le besoin d'un système de hotte aspirante présent sur la plupart des installations. À l'aide d'écrans tactiles à base d'icônes, les utilisateurs peuvent utiliser, éditer et développer plus de 1 000 rubriques de menu personnalisées. Les rubriques de menu peuvent inclure jusqu'à trois phases de cuisson, chacune disposant de différents profils thermiques, paramètres de débit d'air inférieur et supérieur, et réglages du temps de cuisson.

Les fours Ovention Matchbox sont dotés d'un système de transport des aliments innovant qui permet un fonctionnement du four en continu. Un système coulissant avec deux surfaces de cuisson distinctes effectue un mouvement de va-et-vient vers la chambre de cuisson. L'une des surfaces de cuisson est dans le four tandis que l'autre attend les aliments suivants.

Les fours Ovention Matchbox sont le fruit de recherches approfondies et de nombreux tests sur le terrain. Les matériaux utilisés ont été sélectionnés afin de garantir une durée de vie maximale, un design attractif et des performances optimales. Chaque unité est inspectée et testée minutieusement avant d'être expédiée.

Ce manuel contient des instructions d'installation, d'utilisation et de sécurité pour les fours Ovention Matchbox. Ovention recommande à l'utilisateur de lire les instructions d'installation, d'utilisation et de sécurité incluses dans ce manuel avant d'installer ou d'utiliser le four.

Les consignes de sécurité qui apparaissent dans ce manuel sont identifiées par les mots indicateurs suivants :

AVERTISSEMENT

AVERTISSEMENT indique une situation dangereuse qui, si elle n'est pas évitée, peut provoquer la mort ou des blessures graves.

ATTENTION

ATTENTION indique une situation dangereuse qui, si elle n'est pas évitée, peut provoquer des blessures légères ou moyennes.

AVIS

AVIS est utilisé pour des questions sans rapport avec des blessures corporelles.



Lisez l'information de sécurité importante suivante avant d'utiliser cet équipement pour éviter des dommages ou la mort sérieux et pour éviter d'endommager l'équipement ou la propriété.

⚠ AVERTISSEMENT

DANGER DE DÉCHARGE ÉLECTRIQUE :

- Brancher l'appareil sur une prise de courant avec terre de tension, de format et de configuration des broches corrects. Si la fiche et la prise ne se correspondent pas, s'adresser à un électricien qualifié pour déterminer et installer une prise de courant de format et de tension corrects.
- L'appareil doit être correctement mis à la terre. Une mise à la terre incorrecte de l'appareil peut entraîner des blessures graves, voire mortelles.
- Désactivez l'interrupteur de mise sous tension, laissez refroidir l'appareil et débranchez l'appareil/fermez l'interrupteur d'arrêt principal avant de procéder à toute opération de nettoyage, de réglage ou de maintenance.
- NE PAS immerger l'appareil ni le saturer d'eau. L'appareil n'est pas étanche à l'eau. Ne pas le faire fonctionner s'il a été immergé ou saturé d'eau.
- L'appareil n'est pas à l'épreuve des intempéries. Placer l'appareil à l'intérieur à une température ambiante de 21°C (70°F) minimum.
- Ne pas nettoyer à la vapeur ni utiliser trop d'eau sur l'appareil.
- Cet appareil n'est pas étanche aux jets. Ne pas utiliser de jet sous pression pour nettoyer l'appareil.
- Ne pas nettoyer l'appareil lorsqu'il est sous tension.
- N'utilisez pas d'éponge à récurer métallique pour nettoyer l'appareil. Des morceaux de métal peuvent se détacher de l'éponge et entrer en contact avec des composants électriques, créant un risque de choc électrique.
- Ne tirez pas l'unité par le cordon d'alimentation.
- Tenez le cordon électrique à l'écart des surfaces chaudes.
- Ne laissez pas le cordon pendre le long du comptoir.
- Interrompez l'utilisation de l'unité si le cordon d'alimentation est effiloché ou usé.
- N'essayez jamais de réparer ou de remplacer un cordon d'alimentation. Celui-ci devra être remplacé un agent de service agréé par Ovention ou une personne possédant des qualifications similaires.
- Cet appareil doit uniquement être réparé par un personnel qualifié. Toute réparation par un personnel non qualifié peut entraîner une électrocution et des brûlures.
- Pour les réparations, utiliser exclusivement des pièces de rechange Ovention d'origine. Utilisez des pièces détachées Hatco authentiques sous peine d'annuler toutes les garanties et d'exposer l'utilisateur à des tensions électriques dangereuses pouvant entraîner une électrocution ou des brûlures. Les pièces de rechange Ovention d'origine sont conçues pour fonctionner sans danger dans les environnements dans lesquels elles sont utilisées. Certaines pièces de rechange génériques ou de second marché ne présentent pas les caractéristiques leur permettant de fonctionner sans danger dans la matériel Ovention.

En cas d'urgence, débranchez l'appareil (Modèle 1313) ou désactivez l'interrupteur d'arrêt principal (Modèle 1718).

RISQUE D'EXPLOSION : Ne conservez pas ou n'utilisez pas d'essence ou d'autres vapeurs ou liquides inflammables à proximité de ces plaques ou de tout autre appareil.

⚠ AVERTISSEMENT

DANGER D'INCENDIE :

- N'installez pas l'appareil au-dessus ou à proximité de surfaces combustibles. Une décoloration ou une combustion pourraient survenir. L'appareil doit uniquement être installé dans un environnement non-combustible.
- N'utilisez pas de rallonge. Si le cordon d'alimentation est trop court, contactez un électricien qualifié pour déterminer la tension appropriée et installer la prise électrique près de l'appareil.

Installez l'appareil conformément aux instructions d'installation figurant dans ce manuel.

Ce four est spécialement conçu pour faire chauffer ou cuire des aliments — il n'est PAS destiné à un usage industriel ou en laboratoire.

Assurez-vous que tous les opérateurs ont été formés à l'utilisation sûre et correcte de l'appareil.

Cet appareil ne doit pas être utilisé par des enfants ou des personnes avec des capacités physiques, sensorielles ou mentales diminuées. Assurez-vous que les enfants sont bien surveillés et tenez-les à l'écart de l'appareil.

L'appareil peut être placé à côté d'un sol glissant.

Cet appareil ne contient aucune pièce réparable par l'utilisateur. Si cet appareil requiert une opération de maintenance, contactez un Agent d'entretien agréé par Ovention ou contactez la ligne d'appel d'urgence d'Ovention au 855-298-6836.

⚠ ATTENTION

DANGER DE BRÛLURE :

- Certaines surface extérieures de l'appareil deviendront chaudes. Évitez tout contact inutile avec l'appareil.
- La tôle/le plateau sera très chaud(e) au moment du retrait — utilisez un gant isolant, une pince pour tôle ou autre ustensile pour effectuer cette opération.

Ne coupez pas le sectionneur principal, ne débranchez pas l'appareil immédiatement après l'avoir utilisé. Les ventilateurs internes doivent refroidir le four pour éviter d'endommager les composants électriques.

Placez l'appareil à une hauteur adaptée au comptoir, à un emplacement pratique à utiliser. L'emplacement doit être plan pour éviter que l'appareil ou son contenu ne tombe accidentellement, et suffisamment solide pour supporter le poids de l'appareil et de son contenu.

NE soulevez PAS l'appareil à l'aide des plateformes situées de chaque côté de la chambre de cuisson. Les plateformes ne sont pas conçues pour supporter le poids de l'appareil. Soulevez la chambre de cuisson par le dessous uniquement.

Ne déplacez pas et ne bougez pas l'appareil pour le nettoyer. L'appareil est volumineux et lourd.

Ne déposez aucun objet sur le dessus de l'appareil ; le non-respect de cette consigne pourrait causer des blessures au personnel ou des dommages à l'équipement.

Ne chauffez pas des récipients hermétiques ou des produits tels que des œufs entiers dans le four. Il existe un risque d'explosion.

Soyez prudent(e) et prenez garde aux points de pincement lorsque l'ensemble coulissant est en mouvement.

Ne stockez aucun matériau ou élément à l'intérieur de la chambre de cuisson lorsqu'elle n'est pas utilisée.

ATTENTION

N'utilisez jamais d'éponges en acier, de brosses en fil de fer ni de grattoirs pour nettoyer l'appareil.

Un nettoyage inapproprié du four peut endommager la catalyse et annuler la garantie de l'appareil.

Portez des gants de protection en caoutchouc et des lunettes de protection lors du nettoyage de l'appareil.

AVIS

Laissez un espace de 25 mm (1") minimum de chaque côté et à l'arrière de l'appareil pour assurer une bonne ventilation. Veillez à ne pas obstruer ni recouvrir les trous d'aération de l'armoire.

AVIS

Ne recouvrez pas les grills ni aucun autre élément du four avec une feuille métallique. Toute obstruction de l'alimentation en air entraînera une surchauffe du four.

Ne posez pas l'appareil sur la face avant ou sur la face arrière. L'appareil pourrait être endommagé.

Utilisez uniquement des nettoyants non abrasifs et des chiffons doux. Les chiffons et nettoyant abrasifs pourraient rayer la finition de l'unité, altérant son apparence et la rendant vulnérable à l'accumulation de saleté.

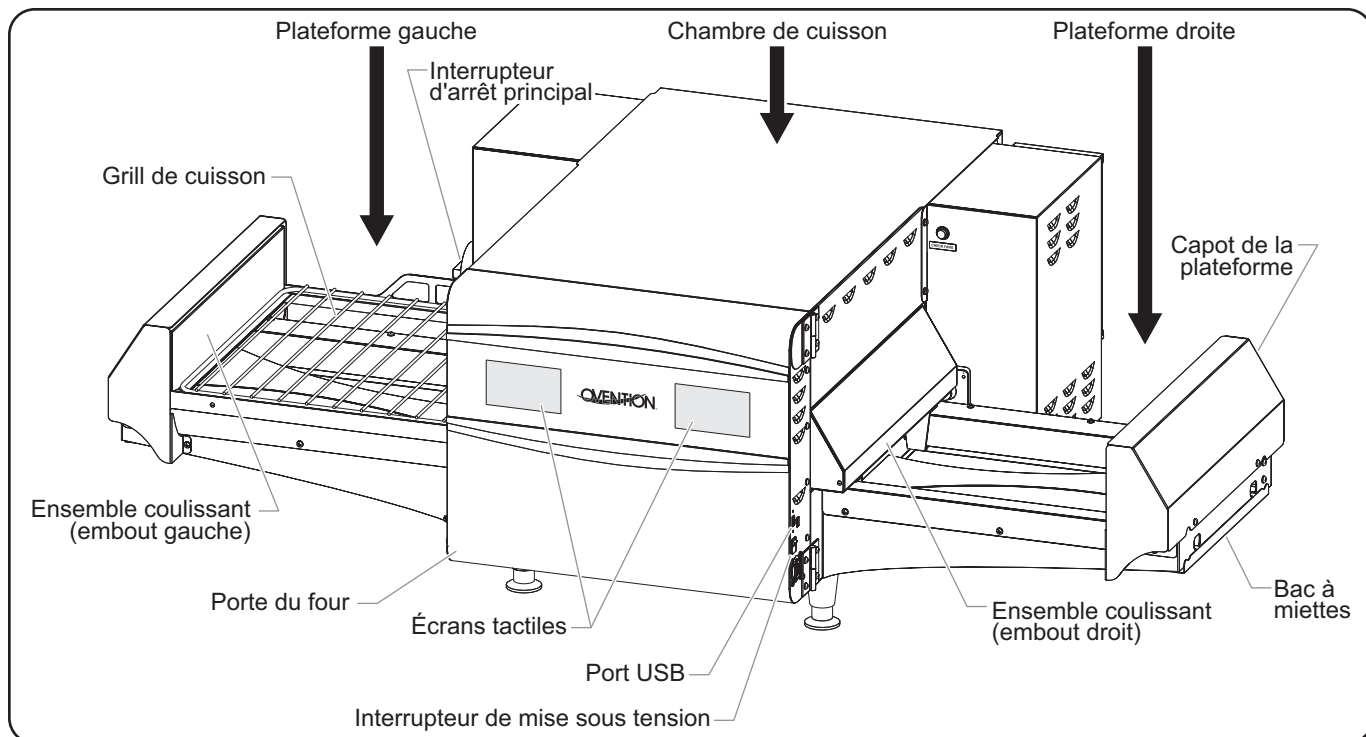
Nettoyez l'unité quotidiennement pour éviter les dysfonctionnements et assurer un fonctionnement sain.

DESCRIPTION DU MODÈLE**Tous les Modèles**

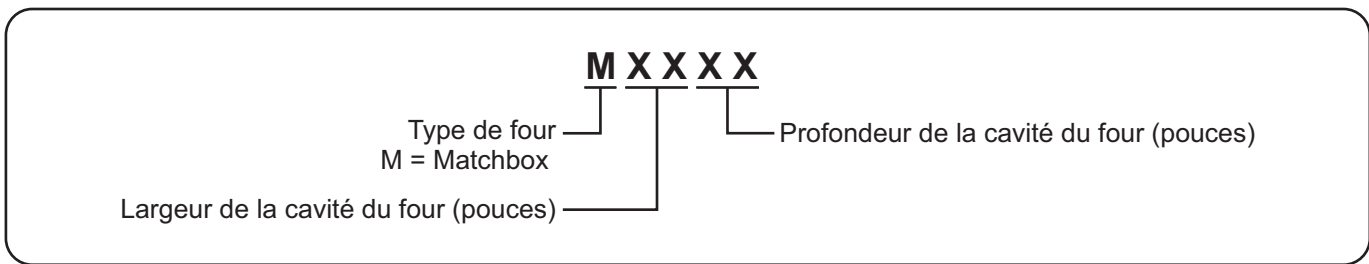
Les fours Ovention® Matchbox® sont conçus pour apporter une flexibilité inégalée tant dans les cuisines que dans les installations à l'extérieur de la maison. Grâce à des options de menu diversifiées, une petite taille, une faible perte de chaleur et une installation ne nécessitant pas de hotte aspirante, le four Matchbox constitue une alternative unique à de multiples appareils de cuisson.

Chaque four Matchbox est équipé d'éléments chauffants et de souffleurs d'air inférieurs et supérieurs dédiés. Les souffleurs dirigent l'air chauffé à l'intérieur de la chambre de cuisson, au-dessus et au-dessous des aliments, à travers les plaques perforées supérieure et inférieure. Un ensemble coulissant composé de deux surfaces de cuisson distinctes se déplace entre la plateforme gauche, la chambre de cuisson et la plateforme droite grâce à un moteur d'entraînement et une roue d'engrenage. Lorsqu'une surface de cuisson est à l'intérieur de la chambre de cuisson, l'autre se trouve sur sa plateforme respective, en attente des prochains aliments à cuire.

En termes de commandes, l'opérateur dispose de deux écrans tactiles (un pour chaque surface de cuisson), d'un interrupteur de mise sous tension et d'un interrupteur d'arrêt principal (Modèle M1718 uniquement). Les deux bacs à miettes amovibles, situés sous chaque plateforme, facilitent le nettoyage. Un port USB permet le téléchargement de rubriques de menu préprogrammées, l'installation de mises à jour logicielles et des opportunités de diagnostics d'entretien. Ensemble cordon et prise de 1 829 mm (6') standard.



Description du modèle (Modèle M1718 illustré)



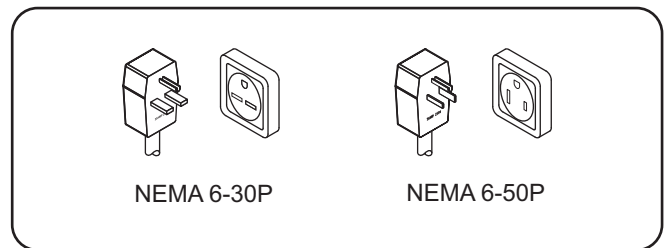
CARACTÉRISTIQUES TECHNIQUES

Configuration des fiches

Les appareils sont équipés d'un cordon et d'une prise électrique adaptés aux caractéristiques électriques de l'appareil. L'appareil doit être connecté à un circuit dédié.



DANGER DE DÉCHARGE ÉLECTRIQUE: Brancher l'appareil sur une prise de courant avec terre de tension, de format et de configuration des broches corrects. Si la fiche et la prise ne se correspondent pas, s'adresser à un électricien qualifié pour déterminer et installer une prise de courant de format et de tension corrects.



Configuration des fiche

NOTA: Prise non fournie par Ovention.

Tableau des valeurs nominales électriques

Modèle	Tension	Intensité	Amps	Phase	Hertz	Configuration des fiches	Poids de l'appareil
M1313	208/240	5408/6960	26/29	1	60	NEMA 6-30P	75 kg (166 lbs.)
M1718	208/240	9152/11760	44/49	1	60	NEMA 6-50P	102 kg (229 lbs.)

NOTA: Les fours Ovention® Matchbox® sont conçus pour accepter une tension de 208 VCA ou 240 VCA. Le four s'ajustera automatiquement à la tension d'entrée.

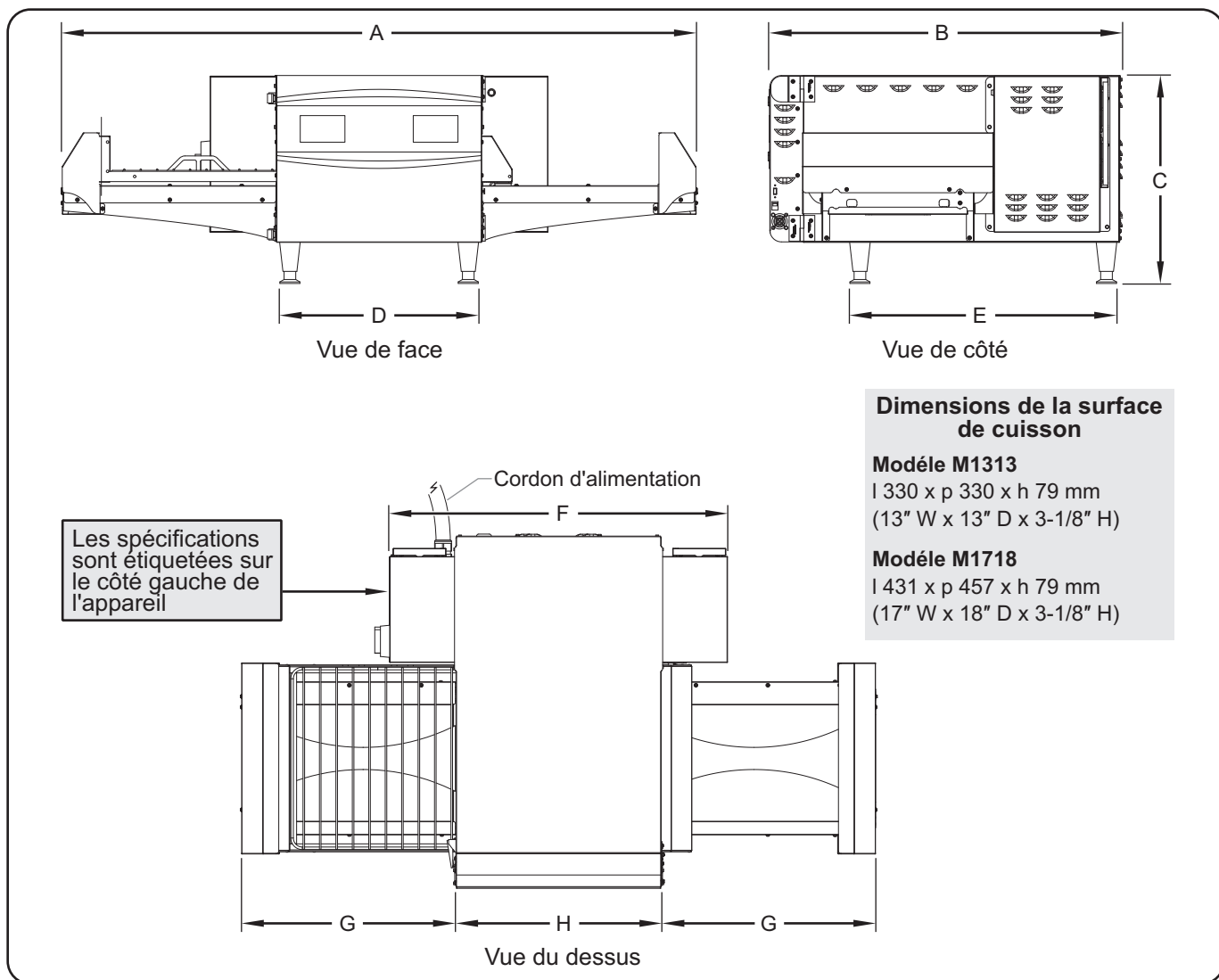
NOTA: Les spécifications sont étiquetées sur le côté gauche de l'appareil. Consultez l'étiquette pour connaître le numéro de série et vérifier les caractéristiques électriques de l'appareil.

Plage de températures

La plage de températures de fonctionnement du four est de 149 à 274 °C (300 à 525 °F).

Dimensions

Modèle	Largeur totale (A)	Profondeur (B)	Hauteur (C)	Empattement Largeur (D)	Empattement Profondeur (E)	Largeur arrière (F)	Largeur de la plateforme (G)	Largeur châssis (H)
M1313	1266 mm (49-7/8")	730 mm (28-3/4")	514 mm (20-1/4")	391 mm (15-7/16")	518 mm (20-7/16")	735 mm (29")	430 mm (16-15/16")	408 mm (16-1/16")
M1718	1567 mm (61-3/4")	876 mm (34-1/2")	514 mm (20-1/4")	490 mm (19-5/16")	659 mm (26")	835 mm (32-15/16")	530 mm (20-7/8")	508 mm (20")



Dimensions (Modèle M1718 illustré)

Généralités

La plupart des composants des fours Oventon® Matchbox® sont expédiés préassemblés. Veillez à ne pas endommager l'unité ou ses composants lors du déballage du carton d'expédition.

⚠ AVERTISSEMENT

DANGER DE DÉCHARGE ÉLECTRIQUE: L'appareil n'est pas à l'épreuve des intempéries. Placer l'appareil à l'intérieur à une température ambiante de 70°F (21°C) minimum.

DANGER D'INCENDIE : N'installez pas l'appareil au-dessus ou à proximité de surfaces combustibles. Une décoloration ou une combustion pourraient survenir. L'appareil doit uniquement être installé dans un environnement non-combustible.

⚠ ATTENTION

Placez l'appareil à une hauteur adaptée au comptoir, à un emplacement pratique à utiliser. L'emplacement doit être plan pour éviter que l'appareil ou son contenu ne tombe accidentellement, et suffisamment solide pour supporter le poids de l'appareil et de son contenu.

AVIS

Ne posez pas l'appareil sur la face avant ou sur la face arrière. L'appareil pourrait être endommagé.

NOTA: En raison de la taille et du poids du four Matchbox, prévoyez suffisamment de personnes pour son installation.

1. Vérifiez que la caisse d'expédition ne présente pas de défauts visibles à l'œil nu suite au transport. En cas de dommages, prévenez immédiatement la société de transport. **ATTENTION! Cesser! N'essayez pas d'utiliser le four s'il est endommagé. Contactez Oventon pour obtenir une assistance.**
2. Coupez et retirez les rubans de transport situés autour de l'emballage du four.
3. Retirez le ruban et l'emballage de protection de toutes les surfaces de l'appareil.
4. Retirez l'emballage des grills de cuisson et des bacs à miette.
5. Vérifiez que le four n'a pas subi de dommages pendant le transport, tels que des traces de choc sur les embouts ou à l'intérieur de la chambre de cuisson. En cas de dommages, prévenez immédiatement la société de transport.

⚠ ATTENTION

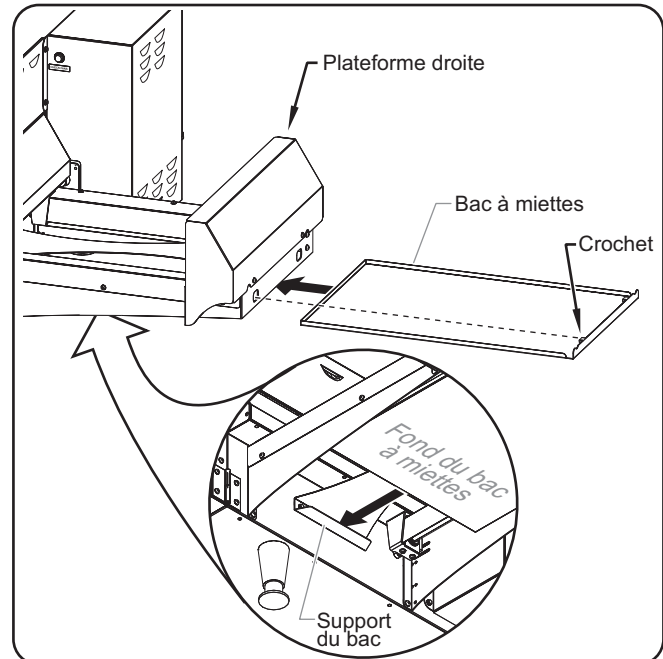
NE soulevez PAS l'appareil à l'aide des plateformes situées de chaque côté de la chambre de cuisson. Les plateformes ne sont pas conçues pour supporter le poids de l'appareil. Soulevez la chambre de cuisson par le dessous uniquement.

6. Placez l'appareil à l'emplacement souhaité. Veillez à soulever l'avant et l'arrière de la chambre de cuisson par en-dessous uniquement.
 - Placez l'appareil dans une zone dont la température ambiante est constante (21 °C minimum).
 - Assurez-vous que l'unité est placée à une hauteur appropriée dans une zone facilitant son utilisation.
 - Veillez à ce que le comptoir/la table soit plat(e) et assez résistant(e) pour supporter le poids de l'appareil et des produits alimentaires.
 - Positionnez l'appareil en laissant un espace de 25 mm (1") minimum à l'arrière et de chaque côté pour une ventilation optimale.

- Veuillez vous assurer que tous les pieds en-dessous de l'appareil sont fermement positionnés sur le comptoir/la table.

7. Installez un bac à miettes sous chaque plateforme.

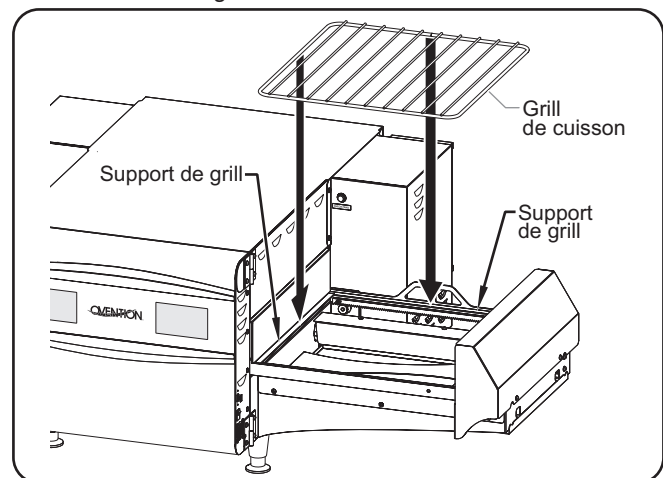
- Faites glisser le bac sous la plateforme, à l'intérieur du support prévu à cet effet, contre la chambre de cuisson.
- Positionnez les deux crochets du bac dans les trous situés à l'extrémité de la plateforme.



Installation du bac à miettes

8. Installez un grill de cuisson sur chaque surface de cuisson de l'ensemble coulissant.

- Déplacez manuellement l'ensemble coulissant pour installer les grills.



Installation d'un grill de cuisson

9. Branchez l'appareil sur une prise de courant reliée à la terre de voltage, de taille et de configuration de fiche corrects. Consultez la section CARACTÉRISTIQUES TECHNIQUES pour obtenir plus de détails.

NOTA: Le four est compatible avec une tension de fonctionnement de 208 VCA ou 240 VCA, et s'adapte automatiquement à la tension fournie.

Généralités

Appliquez les informations et procédures suivantes pour utiliser le four Ovention Matchbox.

NOTA: Les fours de modèle 1313 acceptent des tôles dont la taille ne dépasse pas une tôle standard 1/4 (l 229 x p 330 mm [9" x 13"]). Les fours de modèle 1718 acceptent des tôles dont la taille ne dépasse pas une tôle standard 1/2 (l 330 x p 457 mm [13" x 18"]).

⚠ AVERTISSEMENT

Lire tous les messages de sécurité de la section Consignes de sécurité importantes avant d'utiliser ce matériel.

En cas d'urgence, débranchez l'appareil (Modèle 1313) ou désactivez l'interrupteur d'arrêt principal (Modèle 1718).

⚠ ATTENTION

DANGER DE BRÛLURE: Certaines surface extérieures de l'appareil deviendront chaudes. Évitez tout contact inutile avec l'appareil.

Soyez prudent(e) et prenez garde aux points de pincement lorsque l'ensemble coulissant est en mouvement.

Informations sur les rubriques de menu

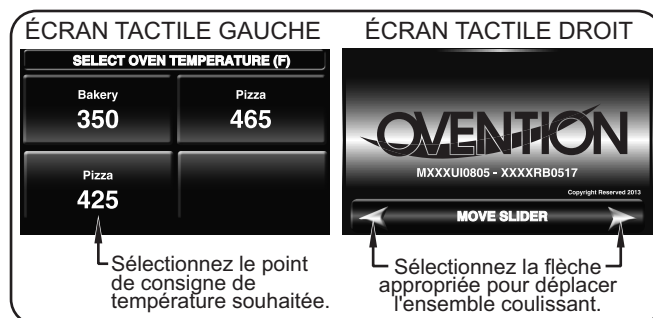
Les fours Matchbox sont conçus pour offrir une flexibilité et une efficacité sans précédent. Chaque four peut stocker 1 024 rubriques de menu personnalisées. Les rubriques de menu peuvent être organisées en Catégories qui rassemblent des éléments similaires, telles que différents types de pizza. 128 catégories peuvent être créées au total, chaque catégorie pouvant contenir 128 rubriques de menu spécifiques. Toutes les catégories et/ou rubriques de menu apparaissent sur l'écran Main Recipes (Recettes principales).

NOTA: Il n'est pas nécessaire d'utiliser les Catégories. Le four peut être configuré en utilisant uniquement des rubriques de menu spécifiques.

Lors du démarrage initial, l'écran Main Recipes (Recettes principales) présente des exemples de rubriques de menu ou des rubriques de menu préinstallées, spécialement adaptées au besoin du client. Si l'écran Main Recipes (Recettes principales) présente des exemples de rubriques de menu, ces derniers peuvent être utilisés en vue de développer des rubriques de menu spécifiques, adaptées à l'installation. Reportez-vous à la procédure « Programmer des rubriques de menu » de cette section pour obtenir des instructions sur la création de rubriques de menu.

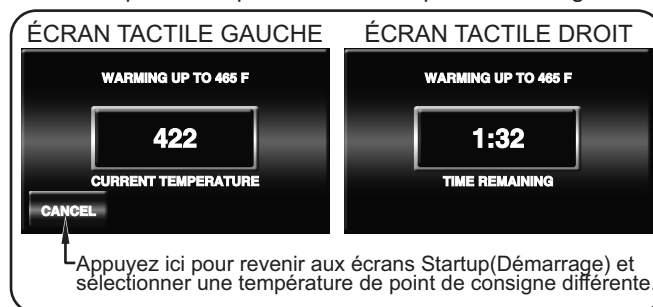
Allumage

1. Sur le Modèle M1718, assurez-vous que l'interrupteur d'arrêt principal est en position MARCHE (I).
2. Positionnez l'interrupteur de mise sous tension sur « Marche ».
 - Les écrans tactiles à gauche et à droite s'activent et les écrans tactiles s'allument. Un écran tactile affiche les points de consigne de température disponibles. L'autre écran tactile affiche le nom du four et la version actuelle du logiciel.



Écrans Startup (démarrage)

3. Sélectionnez le point de consigne de température souhaité sur l'écran tactile gauche.
 - L'ensemble coulissant revient à sa position par défaut, s'il n'est pas déjà en place.
 - Les éléments chauffants, les souffleurs d'air et les ventilateurs de refroidissement du four se mettent en marche. Après 10 à 15 minutes, le four atteint le point de consigne de température.
 - L'écran tactile gauche montre le point de consigne de température sélectionné et la température de cavité actuelle.
 - L'écran tactile droit montre le point de consigne de température sélectionné ainsi qu'une estimation du temps restant pour atteindre ce point de consigne.



Écran Preheat (Préchauffage)

Lorsque le four atteint le point de consigne de température, il entame une période de stabilisation de la température (un compte à rebours s'affiche à l'écran).



Écran Oven Stabilizing (stabilisation du four)

suite...

Une fois la température du four stabilisée, l'écran Main Recipes (Recettes principales) apparaît sur l'un des écrans tactiles, selon l'endroit où se situe l'ensemble coulissant. Le four est désormais prêt pour la cuisson.



Écran Main Recipes (Recettes principales)

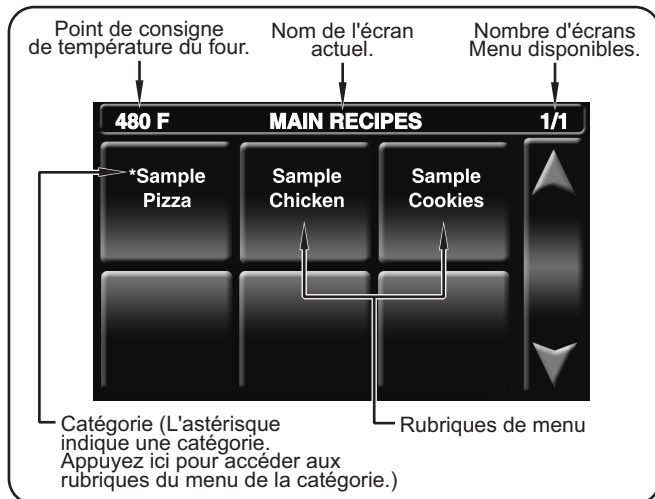
NOTA: Les rubriques de menu illustrées sont données à titre d'exemple uniquement. Selon la configuration du four, l'écran Main Recipes (Recettes principales) présentera des exemples de rubriques de menu ou des rubriques de menu préinstallées, spécialement adaptées au besoin du client.

Cuisson

Utilisez les procédures suivantes pour cuire un plat unique ou plusieurs plats en continu.

Cuisson d'un plat unique

1. Assurez-vous que le four a atteint le point de consigne de température. L'écran Main Recipes (Recettes principales) apparaît sur l'un des écrans tactiles.



Écran Main Recipes (Recettes principales)

2. À l'aide d'une pelle, d'une pince pour tôle ou d'un autre ustensile, placez vos aliments sur la surface de cuisson qui se trouve à l'extérieur de la chambre de cuisson.

NOTA: L'écran tactile gauche correspond à la surface de cuisson/plateforme gauche, et l'écran tactile droit correspond à la surface de cuisson/plateforme droite.

3. Sélectionnez la rubrique de menu souhaitée sur l'écran tactile correspondant.

- L'ensemble coulissant achemine les aliments à l'intérieur de la chambre de cuisson, et la séquence de cuisson débute.
- L'écran tactile passe en mode Cuisson et affiche le temps de cuisson restant pour la rubrique de menu sélectionnée.



Écran Cooking (cuisson)

- Si la rubrique de menu sélectionnée contient des événements de cuisson, un écran de compte à rebours de l'évènement de cuisson apparaît en face de l'écran Cooking (Cuisson). Lorsque l'évènement se produit, l'ensemble coulissant fait sortir le produit alimentaire hors de la chambre de cuisson. Terminez l'action sur l'aliment, puis appuyez sur RESUME (Reprendre) sur l'écran Cook Event (Évènement de cuisson) pour poursuivre la séquence de cuisson. Consultez « Programmation d'un évènement de cuisson » dans cette section pour la description détaillée des évènements de cuisson.
- Lorsque la séquence de cuisson est terminée, le mot « DONE » (Terminé) clignote sur l'écran tactile, une alerte sonore retentit et l'ensemble coulissant extrait les aliments de la chambre de cuisson.

ATTENTION

DANGER DE BRÛLURE: La tôle/le plateau sera très chaud(e) au moment du retrait—utilisez un gant isolant, une pince pour tôle ou autre ustensile pour effectuer cette opération.

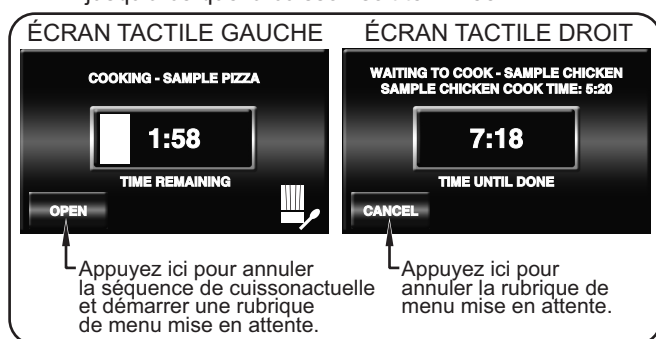
4. À l'aide d'une pelle, d'une pince pour tôle ou d'un autre ustensile, retirez les aliments cuits.

Cuisson d'aliments mis en attente (Cuisson en continu)

- Réalisez les étapes 1 à 3 de la procédure « Cuisson d'un plat unique » de cette section.
 - L'ensemble coulissant achemine les aliments à l'intérieur de la chambre de cuisson, et la séquence de cuisson débute.
- À l'aide d'une pelle, d'une pince pour tôle ou d'un autre ustensile, placez les aliments suivants sur la surface de cuisson opposée qui se trouve désormais à l'extérieur de la chambre de cuisson.

NOTA: Si la rubrique de menu sélectionnée contient des événements de cuisson, la cuisson de l'élément en attente ne sera pas disponible avant que tous les événements de cuisson ne soient terminés.

- Sélectionnez la rubrique de menu souhaitée sur l'écran tactile correspondant.
 - L'écran tactile passe en mode File d'attente et affiche la rubrique de menu mise en attente, le temps de cuisson de l'aliment en attente et le temps total restant jusqu'à ce que la cuisson soit terminée.



Écrans tactiles pendant la cuisson d'aliments mis en attente

- Lorsqu'il ne reste plus que 10 secondes avant la fin de la première séquence de cuisson, un voyant jaune clignote sur l'écran Queue (File d'attente) pour indiquer que l'ensemble coulissant est sur le point de se déplacer.
 - Lorsque la première séquence de cuisson est terminée, le mot « DONE » (Terminé) clignote sur l'écran tactile, une alerte sonore retentit et l'ensemble coulissant extrait les aliments cuits de la chambre de cuisson, tout en y acheminant les aliments en attente.
- À l'aide d'une pelle, d'une pince pour tôle ou d'un autre ustensile, retirez les aliments cuits.
 - Renouvelez les étapes 2 à 4 de cette procédure pour une cuisson en continu d'aliments en file d'attente.

Arrêt

- Positionnez l'interrupteur de mise sous tension sur « Arrêt ».
 - Les éléments chauffants du four et les écrans tactiles s'arrêteront.
 - Les souffleurs d'air et les ventilateurs de refroidissement continueront à fonctionner jusqu'à ce que la température de la chambre de cuisson descende en-dessous de 60°C (140°F).



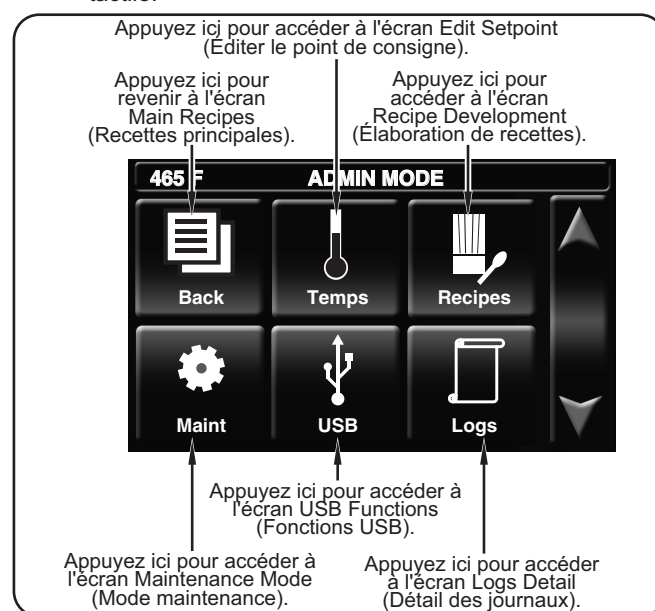
Ne coupez pas le sectionneur principal, ne débranchez pas l'appareil immédiatement après l'avoir utilisé. Les ventilateurs internes doivent refroidir le four pour éviter d'endommager les composants électriques.

Programmation des rubriques de menu

Suivez la procédure suivante pour éditer, créer ou supprimer des rubriques de menu et des catégories. Ces procédures requièrent un accès à des écrans protégés par mot de passe et doivent être réalisés exclusivement par un personnel autorisé.

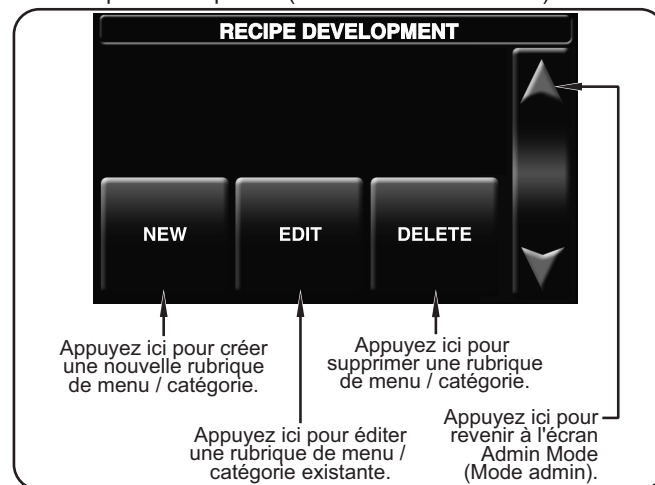
NOTA: Le port USB permet le téléchargement de rubriques de menus préprogrammées à partir d'une clé USB externe. Reportez-vous à la procédure « Télécharger à partir d'une clé USB » de cette section pour de plus amples informations.

- Depuis l'écran Main Recipes (Recettes principales), appuyez sur la flèche ascendante.
 - Un clavier apparaît sur l'écran tactile pour la saisie du mot de passe.
- Saisissez le mot de passe à l'aide du clavier, puis appuyez sur ENTER (Entrée).
 - L'écran Admin Mode (Mode admin) apparaît sur l'écran tactile.



Écran Admin Mode (Mode admin)

- Appuyez sur RECIPES (Recettes) pour accéder à l'écran Recipe Development (Élaboration de recettes).



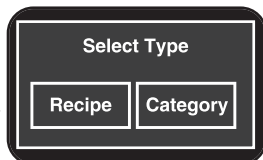
Écran Recipe Development (Élaboration de recettes)

suite ...

- Appuyez sur NEW (Nouvelle), EDIT (Éditer), ou DELETE (Supprimer) sur l'écran Recipe Development (Élaboration de recettes), selon la fonction souhaitée. Ensuite, consultez la procédure appropriée dans cette section.

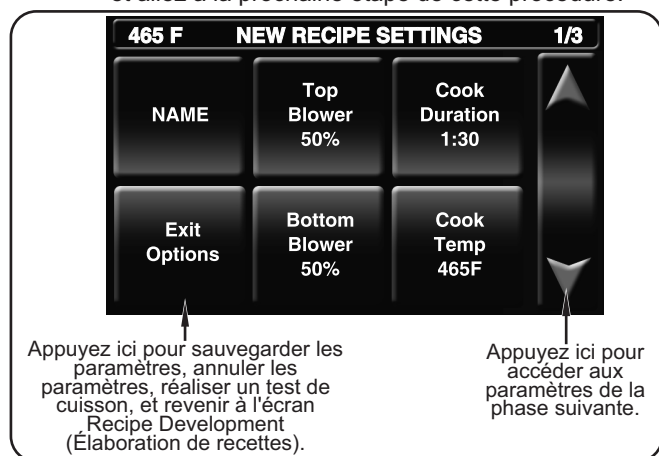
Création de nouvelles rubriques de menu/catégories

- Après avoir appuyé sur NEW (Nouvelle) sur l'écran Recipe Development (Élaboration de recettes), l'écran New Recipe/Category (Nouvelle recette/catégorie) apparaît. Cet écran ressemble à l'écran Main Recipes (Recettes principales).
- Appuyez sur une case vide. La fenêtre Select Type (Sélectionner le type) apparaît. Si aucune case vide n'est disponible, appuyez sur la flèche descendante pour atteindre l'écran suivant.



- Appuyez sur la touche Recipe (Recette) pour créer une nouvelle rubrique de menu ou sur la touche Category (Catégorie) pour créer une nouvelle catégorie.

- **Pour de nouvelles rubriques de menu**, l'écran New Recipe Settings (Paramètres de nouvelles recettes) apparaît.
- **Pour de nouvelles catégories**, un clavier apparaît. Saisissez le nom de la nouvelle catégorie, puis appuyez sur ENTER (Entrée). L'écran Recipe Development (Élaboration de recettes) réapparaît. Pour ajouter des rubriques de menu à la nouvelle catégorie :
 - Appuyez sur NEW (Nouvelle) dans l'écran Recipe Development (Élaboration de recettes).
 - Appuyez sur la nouvelle catégorie disponible sur l'écran New Recipe/Category (Nouvelle recette/catégorie).
 - Appuyez sur une case vide dans la nouvelle catégorie et allez à la prochaine étape de cette procédure.



Écran New Recipe Settings (Paramètres nouvelle recette)

- Appuyez sur chaque case de paramètres de l'écran New Recipe Settings (Paramètres de nouvelles recettes) pour éditer le paramètre correspondant. Les paramètres incluent le nom de l'aliment (Name), le pourcentage du souffleur supérieur (top blower), le pourcentage du souffleur inférieur (bottom blower), le temps de cuisson (cook duration) et la température de cuisson (cook temp).

- La sélection de l'une de ces cases fera apparaître un clavier spécifique pour le paramètre en question. Saisissez la valeur souhaitée à l'aide du clavier, puis appuyez sur ENTER (Entrée) pour revenir à l'écran New Recipe Settings (Paramètres de nouvelles recettes).
- Les noms des rubriques de menu peuvent contenir jusqu'à 16 caractères.
- Appuyez sur la flèche descendante pour accéder aux paramètres pour les phases 2 et 3. Chaque rubrique de menu peut être composée de trois phases max., selon le type d'aliment. Les phases sont programmées avec des paramètres uniques pour créer une séquence de cuisson sur mesure pour la rubrique de menu.

NOTA: Des phases doivent être créées dans une rubrique de menu uniquement si cela est requis par l'aliment. S'il n'est pas nécessaire de séquencer la cuisson, laissez le temps de cuisson des phases 2 et 3 à zéro.

- Lorsque la programmation est terminée, appuyez sur EXIT OPTIONS (Options de sortie) de l'écran New Recipe Settings (Paramètres de nouvelles recettes) correspondant.
 - L'écran Recipe Dev Exit Options (Options de sortie Élaboration de recettes) apparaît.
 - Sélectionnez l'option souhaitée : EXIT AND SAVE (fermer et sauvegarder), EXIT (fermer, sans sauvegarder), CONTINUE EDITING (poursuivre l'édition) ou TEST COOK (tester la cuisson).
 - Si l'une des options « EXIT » a été sélectionnée, l'écran Recipe Development (Élaboration de recettes) apparaît. Si la programmation est complètement terminée, appuyez sur la flèche ascendante pour revenir à l'écran Admin Mode (Mode admin).
 - Pour programmer des rubriques de menu supplémentaires, réitérez les étapes appropriées de cette procédure.

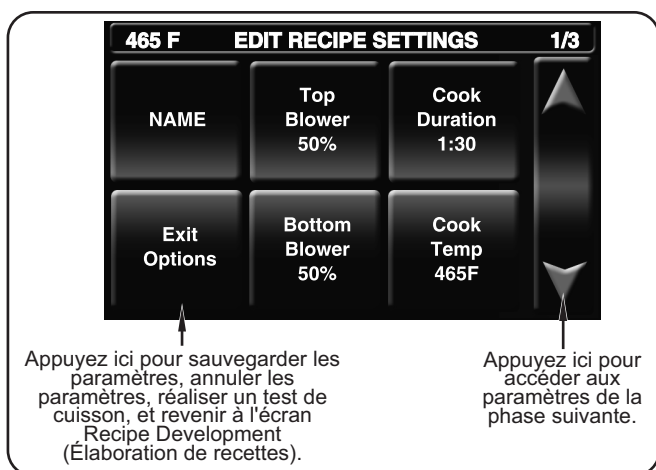
Édition de rubriques de menu/catégories

- Après avoir appuyé sur EDIT (Éditer) sur l'écran Recipe Development (Élaboration de recettes), l'écran Edit Recipe/Category (Éditer recette/catégorie) apparaît. Cet écran ressemble à l'écran Main Recipes (Recettes principales).
- Pour éditer une rubrique de menu**, sélectionnez la rubrique de menu souhaitée, et l'écran Edit Recipe Settings (Paramètres d'édition de recette) apparaît.

- Pour éditer une catégorie**, appuyez sur la catégorie souhaitée. La fenêtre Edit Category (Éditer une catégorie) apparaît.



- Appuyez sur la touche Recipe (Recette) pour éditer une rubrique de menu dans la catégorie sélectionnée. Sélectionnez la rubrique de menu souhaitée pour faire apparaître l'écran Edit Recipe Settings (Paramètres d'édition de recette). Allez à la prochaine étape de cette procédure.
- Appuyez sur NAME (Nom) pour changer le nom de la catégorie sélectionnée à l'aide du clavier qui apparaît, puis appuyez sur ENTER (Entrée). L'écran Recipe Development (Élaboration de recettes) réapparaît. Le changement de nom est terminé.



Appuyez ici pour sauvegarder les paramètres, annuler les paramètres, réaliser un test de cuisson, et revenir à l'écran Recipe Development (Élaboration de recettes).

Appuyez ici pour accéder aux paramètres de la phase suivante.

Écran Edit Recipe Settings (Paramètres d'édition de recette)

- Appuyez sur chaque case de paramètres de l'écran Edit Recipe Settings (Paramètres d'édition de recette) pour éditer le paramètre correspondant. Les paramètres incluent le nom de l'aliment (Name), le pourcentage du souffleur supérieur (top blower), le pourcentage du souffleur inférieur (bottom blower), le temps de cuisson (cook duration) et la température de cuisson (cook temp).

- La sélection de l'une de ces cases fera apparaître un clavier spécifique pour le paramètre en question. Saisissez la valeur souhaitée à l'aide du clavier, puis appuyez sur ENTER (Entrée) pour revenir à l'écran Edit Recipe Settings (Paramètres d'édition de recette).
- Les noms des rubriques de menu peuvent contenir jusqu'à 16 caractères.
- Appuyez sur la flèche descendante pour accéder aux paramètres des phases 2 et 3, si nécessaire.

NOTA: Des phases doivent être créées dans une rubrique de menu uniquement si cela est requis par l'aliment. S'il n'est pas nécessaire de séquencer la cuisson, laissez le temps de cuisson des phases 2 et 3 à zéro.

- Lorsque l'édition est terminée, appuyez sur EXIT OPTIONS (options de sortie) de l'écran Edit Recipe/Category (Éditer recette/catégorie) correspondant.

- L'écran Recipe Dev Exit Options (Options de sortie Élaboration de recettes) apparaît.
- Sélectionnez l'option souhaitée : EXIT AND SAVE (fermer et sauvegarder), EXIT (fermer, sans sauvegarder), CONTINUE EDITING (poursuivre l'édition) ou TEST COOK (tester la cuisson).

- Si l'une des options « EXIT » a été sélectionnée, l'écran Recipe Development (Élaboration de recettes) apparaît. Si l'édition est complètement terminée, appuyez sur la flèche ascendante pour revenir à l'écran Admin Mode (Mode admin).

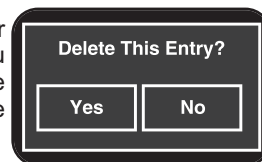
- Pour éditer des rubriques de menus supplémentaires, réitérez les étapes appropriées de cette procédure.

Suppression de rubriques de menu/catégories

- Après avoir appuyé sur DELETE (Supprimer) sur l'écran Recipe Development (Élaboration de recettes), l'écran Delete Recipe/Category (Supprimer recette/catégorie) apparaît. Cet écran ressemble à l'écran Main Recipes (Recettes principales).

- Sélectionnez la rubrique de menu ou catégorie à supprimer. La fenêtre « Delete This Entry? » (Supprimer cette entrée ?) apparaît.

- Appuyez sur YES (Oui) pour supprimer la rubrique de menu ou la catégorie. L'écran Recipe Development (Élaboration de recettes) réapparaît.



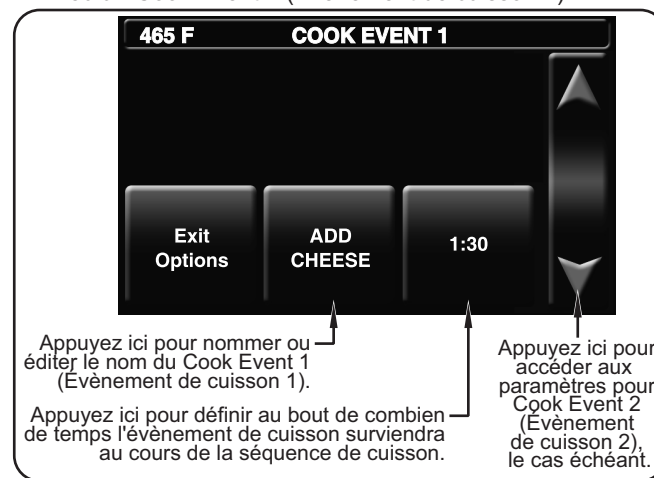
- Appuyez sur NO (Non) pour revenir à l'écran Recipe Development (Élaboration de recettes) sans suppression.

- Lorsque la suppression est terminée, appuyez sur la flèche ascendante pour revenir à l'écran Admin Mode (Mode admin).

Programmation d'un évènement de cuisson

Un évènement de cuisson est une fonction pouvant être programmée dans les rubriques de menu et permettant de réaliser une action sur un produit alimentaire durant une séquence de cuisson (par exemple : ADD CHEESE [ajouter du fromage]). Un évènement de cuisson interrompt une séquence de cuisson en cours et signale à l'ensemble coulissant de faire sortir le produit alimentaire de la chambre de cuisson. Une fois l'action réalisée sur le produit alimentaire, l'ensemble coulissant renvoie le produit dans la chambre de cuisson et la séquence de cuisson reprend. Un maximum de deux évènements de cuisson peut être programmé dans une rubrique de menu. Suivez la procédure suivante pour programmer un évènement de cuisson.

- Suivez la procédure pour la création ou l'édition d'une rubrique de menu décrite précédemment dans cette section.
- Après avoir programmé les paramètres pour le nombre souhaité de phases à l'écran New Recipe Settings/Edit Recipe Settings (Paramètres de nouvelles recettes/Paramètres d'édition de recette), appuyez sur la flèche descendante pour faire défiler les phases jusqu'à l'écran Cook Event 1 (Évènement de cuisson 1).



Appuyez ici pour nommer ou éditer le nom du Cook Event 1 (Évènement de cuisson 1).

Appuyez ici pour définir au bout de combien de temps l'évènement de cuisson surviendra au cours de la séquence de cuisson.

Appuyez ici pour accéder aux paramètres pour Cook Event 2 (Évènement de cuisson 2), le cas échéant.

Écran Cook Event 1 (Évènement de cuisson 1)

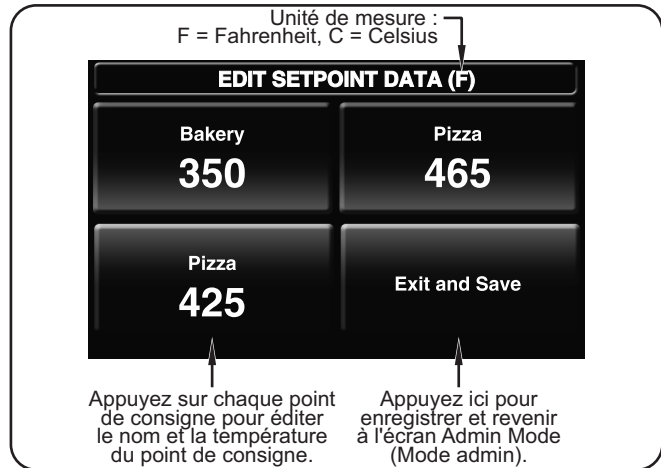
- Appuyez sur la case du centre de l'écran Cook Event (Évènement de cuisson) pour nommer l'évènement de cuisson à l'aide du clavier qui apparaît, puis appuyez sur ENTER (Entrée).

- Appuyez sur la case à la droite de l'écran Cook Event (Évènement de cuisson) pour définir au bout de combien de temps l'évènement de cuisson doit survenir au cours de la séquence de cuisson. Saisissez la valeur souhaitée à l'aide du clavier, puis appuyez sur ENTER (Entrée).

suite...

5. Si un second évènement de cuisson est requis, appuyez sur la flèche descendante pour accéder à l'écran Cook Event 2 (Évènement de cuisson 2) et réitérez les étapes 3 et 4.
6. Lorsque la programmation est terminée, appuyez sur EXIT OPTIONS (Options de sortie).
 - a. L'écran Recipe Dev Exit Options (Options de sortie Élaboration de recettes) apparaît.
 - b. Sélectionnez l'option souhaitée : EXIT AND SAVE (fermer et sauvegarder), EXIT (fermer, sans sauvegarder), CONTINUE EDITING (poursuivre l'édition) ou TEST COOK (tester la cuisson).
 - Si l'une des options « EXIT » a été sélectionnée, l'écran Recipe Development (Élaboration de recettes) apparaît. Si la programmation est complètement terminée, appuyez sur la flèche ascendante pour revenir à l'écran Admin Mode (Mode admin).
 - Pour programmer des rubriques de menu supplémentaires, réitérez les étapes appropriées de cette procédure.

3. Appuyez sur TEMPS (Températures) pour accéder à l'écran Edit Setpoint Data (Éditer les données de point de consigne).
 - Le four peut stocker jusqu'à trois points de consigne de température.



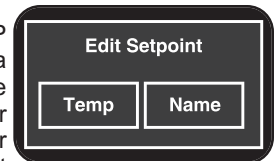
Écran Edit Setpoint Data (Éditer les données de point de consigne)

Édition des points de consigne de température

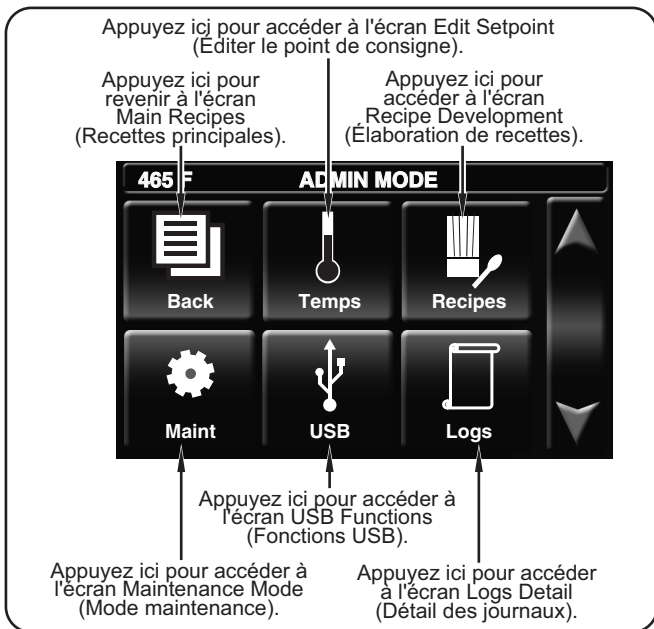
Utilisez la procédure suivante pour éditer ou créer le(les) point(s) de consigne de température disponible(s) à l'allumage du four. Cette procédure requiert un accès à des écrans protégés par mot de passe et doit être réalisée exclusivement par un personnel autorisé.

1. Depuis l'écran Main Recipes (Recettes principales), appuyez sur la flèche ascendante.
 - Un clavier apparaît sur l'écran tactile pour la saisie du mot de passe.
2. Saisissez le mot de passe à l'aide du clavier, puis appuyez sur ENTER (Entrée).
 - L'écran Admin Mode (Mode admin) apparaît sur l'écran tactile.

4. Sélectionnez le point de consigne souhaité à éditer. La fenêtre Edit Setpoint Data (Éditer les données de point de consigne) apparaît.



- Appuyez sur TEMP (Température) pour éditer la température de point de consigne à l'aide du clavier qui apparaît, puis appuyez sur ENTER (Entrée). L'écran Edit Setpoint Data (Éditer les données de point de consigne) apparaît.
 - Appuyez sur NAME (Nom) pour éditer le nom du point de consigne à l'aide du clavier qui apparaît, puis appuyez sur ENTER (Entrée). L'écran Edit Setpoint Data (Éditer les données de point de consigne) apparaît.
5. Renouvelez l'étape 4 pour éditer ou créer un autre point de consigne de température.
 6. Une fois terminées les modifications apportées au point de consigne de température, appuyez sur EXIT AND SAVE (Quitter et enregistrer) pour revenir à l'écran Admin Mode (Mode admin).
 - Si la programmation est terminée, appuyez sur BACK (Retour) pour revenir à l'écran Main Recipes (Recettes principales).



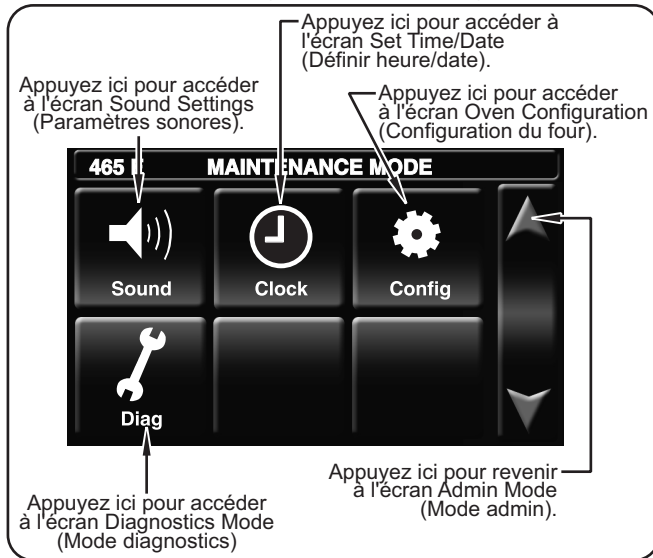
Écran Admin Mode (Mode admin)

Changer l'unité de mesure de la température

Suivez la procédure suivante pour changer l'unité de mesure de la température en Fahrenheit ou en Celsius. Cette procédure requiert un accès à des écrans protégés par mot de passe et doit être réalisée exclusivement par un personnel autorisé.

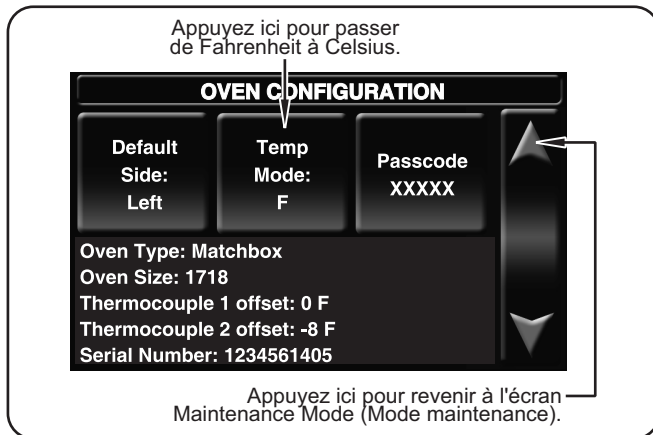
1. Depuis l'écran Main Recipes (Recettes principales), appuyez sur la flèche ascendante.
 - Un clavier apparaît sur l'écran tactile pour la saisie du mot de passe.
2. Saisissez le mot de passe à l'aide du clavier, puis appuyez sur ENTER (Entrée).
 - L'écran Admin Mode (Mode admin) apparaît sur l'écran tactile.

- Appuyez sur MAINT (Maintenance) pour accéder à l'écran Maintenance Mode (Mode maintenance).



Écran Maintenance Mode (Mode maintenance)

- Appuyez sur CONFIG (Configuration) sur l'écran Maintenance Mode (Mode maintenance). L'écran Oven Configuration (Configuration du four) apparaît.
- Appuyez sur TEMP MODE (Mode de température) sur l'écran Oven Configuration (Configuration du four) pour faire passer l'unité de mesure de Fahrenheit à Celsius.



Écran Oven Configuration (Configuration du four)

Téléchargement à partir d'une clé USB

Utilisez la procédure suivante pour télécharger des rubriques de menus préprogrammées ou des mises à jour de progiciel à partir d'une clé USB externe. Cette procédure requiert un accès à des écrans protégés par mot de passe et doit être réalisée lors de l'allumage du four, par un personnel autorisé exclusivement.

NOTA: La clé USB doit avoir une capacité de 4 Go ou moins.

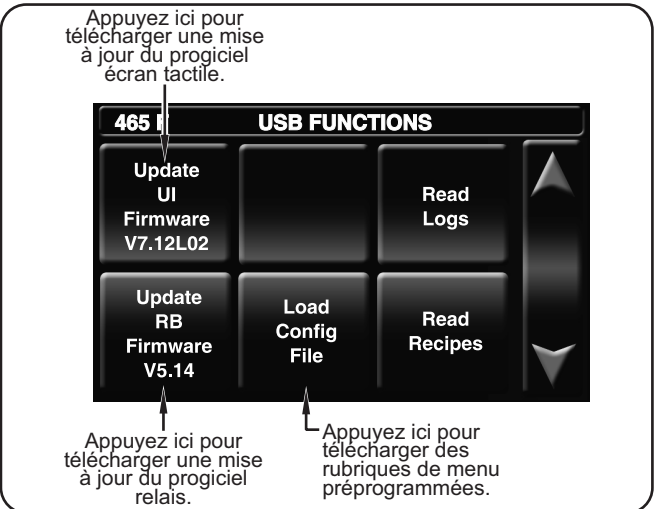
- Positionnez l'interrupteur de mise sous tension sur « Marche ».
 - Les écrans tactiles à gauche et à droite s'activent et Les écrans tactiles s'allument. Un écran tactile affiche les points de consigne de température disponibles. L'autre écran tactile affiche le nom du four et la version actuelle du logiciel.

- Retirez le cache du port USB situé au-dessus de l'interrupteur de mise sous tension, et insérez la clé USB dans le port.
- Appuyez sur le coin supérieur gauche de l'écran tactile droit.
 - Un clavier apparaît sur l'écran tactile pour la saisie du mot de passe.



Écrans Startup (démarrage)

- Saisissez le mot de passe à l'aide du clavier, puis appuyez sur ENTER (Entrée).
 - L'écran Admin Mode (Mode admin) apparaît sur l'écran tactile.
- Appuyez sur USB pour accéder à l'écran USB Functions (Fonctions USB).



Écran USB Functions (Fonctions USB)

- Appuyez sur la fonction désirée pour commencer le téléchargement correspondant.
 - Sélectionnez le fichier à télécharger dans la liste qui apparaît.
 - Une fois le téléchargement terminé, le four redémarrera.
- Lorsque les écrans de démarrage réapparaissent, retirez la clé USB du port USB et repositionnez le cache sur le port.
- Réalisez la procédure normale de « Démarrage » présentée en début de section pour utiliser le four.

Généralités

Les fours Ovention® Matchbox® sont conçus pour une durée de vie et une performance optimales avec un minimum de maintenance.

AVERTISSEMENT

DANGER DE DÉCHARGE ÉLECTRIQUE :

- Désactivez l'interrupteur de mise sous tension, laissez refroidir l'appareil et débranchez l'appareil/fermez l'interrupteur d'arrêt principal avant de procéder à toute opération de nettoyage, de réglage ou de maintenance.
- **NE PAS immerger l'appareil ni le saturer d'eau.** L'appareil n'est pas étanche à l'eau. Ne pas le faire fonctionner s'il a été immergé ou saturé d'eau.
- Ne pas nettoyer à la vapeur ni utiliser trop d'eau sur l'appareil.
- Cet appareil n'est pas étanche aux jets. Ne pas utiliser de jet sous pression pour nettoyer l'appareil.
- Ne pas nettoyer l'appareil lorsqu'il est sous tension.
- N'utilisez pas d'éponge à récurer métallique pour nettoyer l'appareil. Des morceaux de métal peuvent se détacher de l'éponge et entrer en contact avec des composants électriques, créant un risque de choc électrique.
- Cet appareil doit uniquement être réparé par un personnel qualifié. Toute réparation par un personnel non qualifié peut entraîner une électrocution et des brûlures.
- Pour les réparations, utiliser exclusivement des pièces de rechange Ovention d'origine. Utilisez des pièces détachées Hatco authentiques sous peine d'annuler toutes les garanties et d'exposer l'utilisateur à des tensions électriques dangereuses pouvant entraîner une électrocution ou des brûlures. Les pièces de rechange Ovention d'origine sont conçues pour fonctionner sans danger dans les environnements dans lesquels elles sont utilisées. Certaines pièces de rechange génériques ou de second marché ne présentent pas les caractéristiques leur permettant de fonctionner sans danger dans la matériel Ovention.

Cet appareil ne contient aucune pièce réparable par l'utilisateur. Si cet appareil requiert une opération de maintenance, contactez un Agent d'entretien agréé par Ovention ou contactez la ligne d'appel d'urgence d'Ovention au 855-298-6836.

ATTENTION

Ne déplacez pas et ne bougez pas l'appareil pour le nettoyer. L'appareil est volumineux et lourd.

N'utilisez jamais d'éponges en acier, de brosses en fil de fer ni de grattoirs pour nettoyer l'appareil.

Portez des gants de protection en caoutchouc et des lunettes de protection lors du nettoyage de l'appareil.

Un nettoyage inapproprié du four peut endommager la catalyse et annuler la garantie de l'appareil.

REMARQUE IMPORTANTE :

L'utilisation de produits chimiques de nettoyage non autorisés par Ovention pour le nettoyage de la chambre de cuisson annulera la garantie.

Nettoyage quotidien

Pour maintenir la performance et préserver le revêtement du four Ovention Matchbox, nettoyez l'appareil quotidiennement.

ATTENTION

Ne coupez pas le sectionneur principal, ne débranchez pas l'appareil immédiatement après l'avoir utilisé. Les ventilateurs internes doivent refroidir le four pour éviter d'endommager les composants électriques.

AVIS

Utilisez uniquement des nettoyants non abrasifs et des chiffons doux. Les chiffons et nettoyant abrasifs pourraient rayer la finition de l'unité, altérant son apparence et la rendant vulnérable à l'accumulation de saleté.

1. Fermez l'interrupteur de mise sous tension et laissez refroidir l'appareil. Les ventilateurs de refroidissement fonctionneront jusqu'à ce que la température de la chambre de cuisson descende en-dessous de 60°C (140°F).
2. Dès que les ventilateurs de refroidissement s'arrêtent, déconnectez l'alimentation électrique de l'appareil :
 - Pour le modèle M1313, débranchez le cordon électrique.
 - Pour le modèle M1718, positionnez l'interrupteur d'arrêt principal sur ARRÊT (O).
3. Retirez et éliminez tout résidu alimentaire.
4. Retirez et nettoyez chaque grill de cuisson à l'aide d'un chiffon humide non abrasif ou d'une éponge à récurer en nylon (un nettoyant non-abrasif peut être utilisé pour les taches difficiles).
5. Retirez les déversements éventuels à l'aide d'un essuie-tout humide ou d'un chiffon non-abrasif.
6. Retirez et nettoyez chaque bac à miettes.
 - Videz les miettes dans un contenant pour déchets à l'aide d'une brosse.
 - Nettoyez le bac à l'aide d'un essuie-tout humide.
7. Réinstallez les bacs à miettes (voir la section MODE D'EMPLOI pour plus de détails).
8. Nettoyez toutes les surfaces extérieures à l'aide d'un chiffon humide, non-abrasif (un produit de nettoyage non-abrasif peut être utilisé pour les taches difficiles).
9. Séchez toutes les surfaces à l'aide d'un chiffon sec, non-abrasif.
10. Polissez les surfaces extérieures du four à l'aide d'un produit de nettoyage pour acier inoxydable de bonne qualité.

Nettoyage hebdomadaire

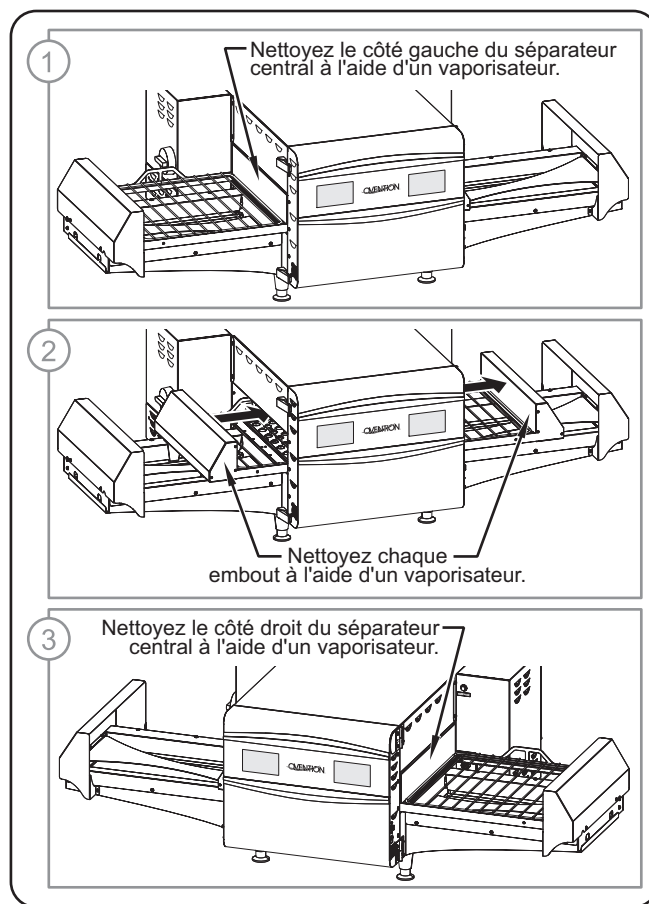
1. Fermez l'interrupteur de mise sous tension et laissez refroidir l'appareil. Les ventilateurs de refroidissement fonctionneront jusqu'à ce que la température de la chambre de cuisson descende en-dessous de 60°C (140°F).
2. Dès que les ventilateurs de refroidissement s'arrêtent, déconnectez l'alimentation électrique de l'appareil :
 - Pour le modèle M1313, débranchez le cordon électrique.
 - Pour le modèle M1718, positionnez l'interrupteur d'arrêt principal sur ARRÊT (O).

NOTA: Pour accéder à tous les côtés des embouts et du séparateur central, l'ensemble coulissant doit être déplacé manuellement pendant la procédure. Voir l'illustration « Nettoyage de l'ensemble coulissant » dans cette procédure pour plus de détails.

3. Vaporisez soigneusement le produit nettoyant pour four Chemco Dirt Buster III sur tous les côtés des deux embouts et du séparateur central de l'ensemble coulissant (voir illustration).

NOTA: Ne vaporisez pas directement le produit de nettoyage dans l'ouverture du ventilateur tout au fond de la chambre de cuisson.

4. À l'aide d'une éponge à récurer en nylon non-abrasive, nettoyez les deux embouts et le séparateur central de l'ensemble coulissant. Nettoyez également toute autre surface visible souillée par des dépôts de graisse de cuisson.
5. Nettoyez toutes les surfaces à l'aide d'un chiffon humide, non-abrasif.
6. Séchez toutes les surfaces à l'aide d'un chiffon sec, non-abrasif.
7. Effectuez la procédure de « Nettoyage quotidien » décrite dans cette section.



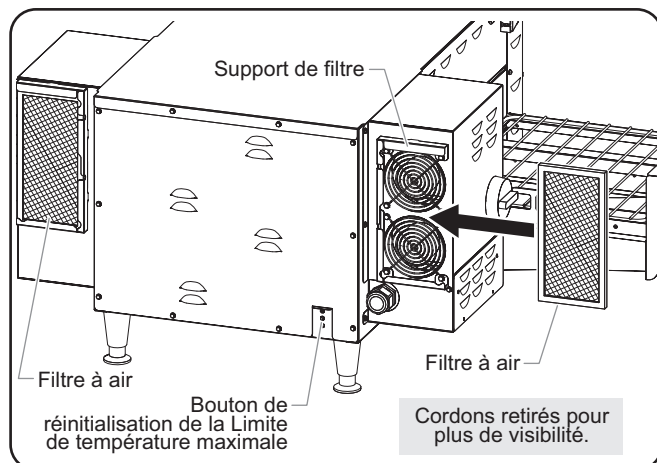
Nettoyage de l'ensemble coulissant

Nettoyage mensuel

1. Fermez l'interrupteur de mise sous tension et laissez refroidir l'appareil. Les ventilateurs de refroidissement fonctionneront jusqu'à ce que la température de la chambre de cuisson descende en-dessous de 60°C (140°F).
2. Dès que les ventilateurs de refroidissement s'arrêtent, déconnectez l'alimentation électrique de l'appareil :
 - Pour le modèle M1313, débranchez le cordon électrique.
 - Pour le modèle M1718, positionnez l'interrupteur d'arrêt principal sur ARRÊT (O).
3. Retirez et nettoyez les deux filtres à air à l'arrière du four. Pour nettoyer chaque filtre :
 - a. Faites glisser directement le filtre par le côté du support de filtre.
 - b. Vaporisez le filtre avec de l'eau et/ou trempez-le dans de l'eau savonneuse.
 - c. Rincez le filtre puis laissez-le sécher à l'air sec.
 - d. Lorsque le filtre est sec, réinstallez le filtre dans le support de filtre.

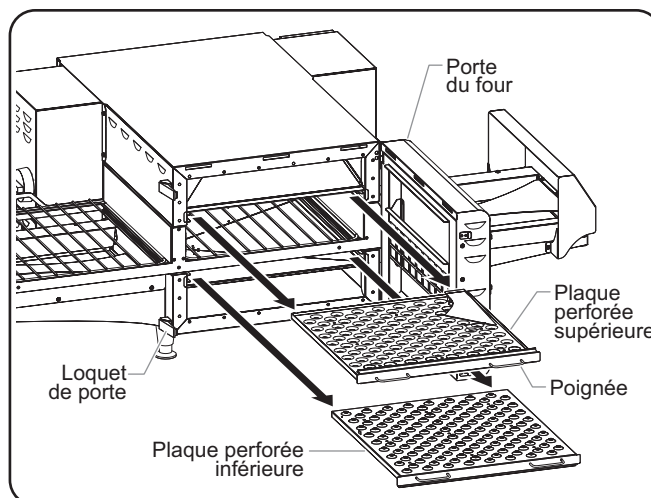
REMARQUE IMPORTANTE :

L'utilisation de produits chimiques de nettoyage non autorisés par Ovention pour le nettoyage de la chambre de cuisson annulera la garantie.



Nettoyage des filtres à air

4. Retirez et nettoyez les plaques perforées supérieure et inférieure à l'intérieur de la chambre de cuisson. Pour nettoyer les plaques perforées :
 - a. Déverrouillez et ouvrez la porte du four de sorte que l'intérieur de la chambre de cuisson soit exposée.
 - b. Retirez les plaques perforées supérieure et inférieure. Retirez les plaques du four en tirant sur les poignées à l'horizontale.
 - c. Vaporisez le produit de nettoyage pour four Chemco Dirt Buster III sur les deux côtés de chaque plaque perforée. Laissez le produit de nettoyage agir pendant 3 à 5 minutes.
 - d. Éliminez les résidus de graisse en exerçant une pression à l'aide d'une éponge à récurer en nylon non-abrasive.
 - e. Nettoyez les plaques perforées à l'aide d'un chiffon humide, non-abrasif et laissez sécher à l'air. Ne réinstallez pas les plaques pour l'instant.



Nettoyage des plaques perforées

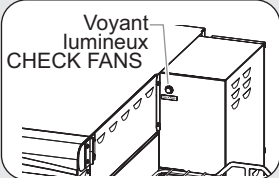
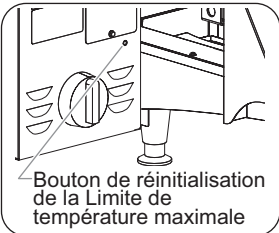
5. Nettoyez les parties visibles de la chambre de cuisson en appliquant la même procédure que pour les plaques perforées (étapes « c » à « e » ci-dessus).
6. Réinstallez les plaques perforées supérieure et inférieure à l'intérieur de la chambre de cuisson.
7. Fermez la porte du four et verrouillez les deux loquets de porte.
8. Effectuez la procédure de « Nettoyage hebdomadaire » décrite dans cette section.

⚠ AVERTISSEMENT

La réparation de cet appareil doit être confiée exclusivement à du personnel qualifié. Les réparations par des personnes non qualifiées peuvent provoquer des décharges électriques et des brûlures.

⚠ AVERTISSEMENT

DANGER DE DÉCHARGE ÉLECTRIQUE: Désactivez l'interrupteur de mise sous tension, laissez refroidir l'appareil et débranchez l'appareil/fermez l'interrupteur d'arrêt principal avant de procéder à toute opération de nettoyage, de réglage ou de maintenance.

Symptômes	Causes Probables	Action Correctrice
Le four ne fonctionne pas (écran tactile blanc).	Interrupteur de mise sous tension désactivé, Interrupteur d'arrêt principal sur ARRÊT (O), ou appareil débranché.	Assurez-vous que l'appareil est branché, que l'interrupteur d'arrêt principal est sur la position MARCHE (I) (modèle M1718 uniquement), et que l'interrupteur de mise sous tension est relevé sur la position « ON » (Marche).
	L'unité est branchée à une alimentation électrique inappropriée.	Reportez-vous à la section CARACTÉRISTIQUES TECHNIQUES pour les spécifications électriques de l'appareil. Contactez un électricien qualifié pour déterminer la tension appropriée et installer la prise électrique près de l'appareil.
Mouvement irrégulier de l'ensemble coulissant.	Desserrez la vis et/ou le support.	Vérifiez toutes les vis du système coulissant. Serrez les vis si nécessaire.
	Dysfonctionnement du système d'engrenage et/ou du système coulissant.	Contactez un agent d'entretien autorisé ou la ligne d'appel d'urgence d'Ovention™ pour obtenir de l'aide.
	Installation d'un logiciel incorrect dans le système d'exploitation du four.	Contactez un agent d'entretien autorisé ou la ligne d'appel d'urgence d'Ovention pour obtenir de l'aide.
Mauvaise cuisson des aliments.	Point de consigne de température incorrect ou sélection d'une rubrique de menu inappropriée.	Vérifiez le point de consigne de température souhaité et la rubrique de menu sélectionnée. Effectuez les modifications de paramétrage appropriées si nécessaire (consultez la section MODE D'EMPLOI).
	Dysfonctionnement d'une plaque perforée ou du débit d'air.	Contactez un agent d'entretien autorisé ou la ligne d'appel d'urgence d'Ovention pour obtenir de l'aide.
Le voyant lumineux CHECK FANS (Contrôle des ventilateurs) est allumé (situé à l'avant de la chambre de cuisson, sur le côté droit). 	Température ambiante supérieure à 35°C (95°F).	Le voyant s'allumera à des températures ambiantes supérieures à 49°C (120°F). Toujours vérifiez que le voyant s'éteint dès que la température descend en dessous de 49°C (120°F). À défaut, consultez la liste des « Causes probables » ci-dessous.
	Les filtres à air sont sales.	Vérifiez les filtres à air et nettoyez-les si besoin. Reportez-vous à la procédure « Nettoyage mensuel » de la section MAINTENANCE.
	Dysfonctionnement du(des) ventilateur(s) de refroidissement.	Contactez un agent d'entretien autorisé ou la ligne d'appel d'urgence d'Ovention pour obtenir de l'aide.
Le four ne chauffe pas. 	L'interrupteur de Limite de température maximale s'est déclenché.	Enfoncez le bouton de réinitialisation de la limite de température maximale situé à l'arrière de la chambre de cuisson sur le côté gauche, à côté de l'interrupteur d'arrêt principal. Si l'interrupteur continue de se déclencher, contactez un agent d'entretien autorisé ou la ligne d'appel d'urgence d'Ovention pour obtenir de l'aide.

NOTA: Pour localiser un Agent d'entretien agréé par Ovention, rendez-vous sur le site internet d'Ovention www.oventionovens.com et sélectionnez l'onglet Service & Support, ou contactez la ligne d'appel d'urgence d'Ovention au 855-298-OVEN(6836).

Kits d'empilage

Des kits d'empilage sont disponibles pour empiler deux appareils l'un sur l'autre. L'option d'empilage requiert l'achat d'un appareil supplémentaire ainsi que d'un kit d'empilage pour sécuriser l'unité supérieure à l'unité inférieure. Les instructions d'installation sont incluses dans le kit.

OVNTN-STK-1Kit d'empilage, Modèle M1718 sur M1718

M1313-STKKit d'empilage, Modèle M1313 sur M1313

M1313/M1718-STK ..Kit d'empilage, Modèle M1313 sur M1718

Bacs, grills et autres ustensiles

Plusieurs types de bacs, grills et ustensiles sont disponibles pour les fours Matchbox®.

M1313-STTPlaque pleine en téflon, modèle M1313

M1718-STTPlaque pleine en téflon, modèle M1718

M1313-MTTPlaque grillagée en téflon, modèle M1313

M1718-MTTPlaque grillagée en téflon, modèle M1718

M1313-HDGGrill pour hot dog, modèle M1313

M1718-HDGGrill pour hot dog, modèle M1718

M1313-OSRKGrille avec rebord, modèle M1313

M1718-OSRKGrille avec rebord, modèle M1718

M1313-GRK.....Plaque de grill, modèle M1313

M1718-GRK.....Plaque de grill, modèle M1718

M1313-PRKGrille pour pizza, modèle M1313

M1718-PRKGrille pour pizza, modèle M1718

M1313-RCTPG ..Grille pour panini rectangulaire, modèle M1313

M1718-RCTPG ..Grille pour panini rectangulaire, modèle M1718

M1313-PGGrill pour panini, modèle M1313

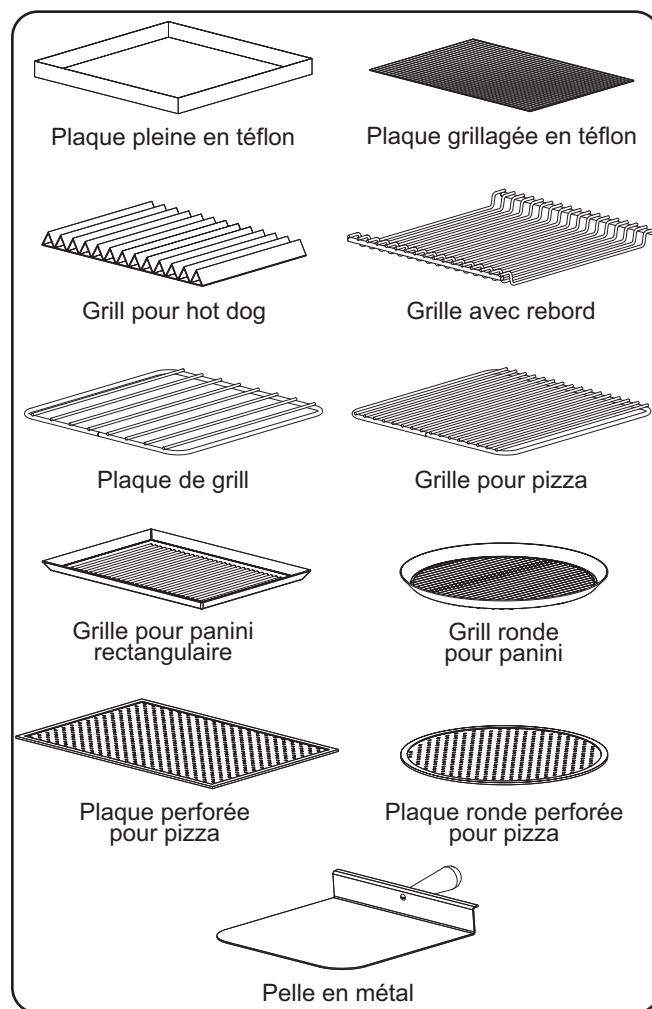
M1718-PGGrill pour panini, modèle M1718

OVNTN-PS11X16 ..Plaque perforée pour pizza, 279 x 406 mm (11" x 16")

OVNTN-PS12Plaque ronde perforée pour pizza, 305 mm (12")

OVNTN-PS16Plaque ronde perforée pour pizza, 406 mm (16")

OVNTN-PDLPelle en métal



Divers

OVNTN-FILAir neuf

OVNTN-CLNRProduit de nettoyage pour four, caisse de six bouteilles

NOTA: Utilisez un produit de nettoyage pour four afin d'éliminer la graisse de cuisson et les résidus de manière sécurisée sur les embouts du système coulissant, les plaques perforées et la chambre de cuisson.

1. GARANTIE DU PRODUIT

Ovention®, Inc. (« Ovention ») garantit que les produits qu'il fabrique (les « Produits ») sont exempts de défauts de matériel et de fabrication, dans des conditions normales d'utilisation et de maintenance, pour une période d'un (1) an à partir de la date d'achat à condition que l'appareil soit installé et entretenu conformément aux instructions écrites d'Ovention ou 18 mois après la date de l'expédition par Ovention. L'acheteur doit établir la date d'achat du produit avec le représentant commercial d'Ovention ou par d'autres moyens qu'Ovention juge satisfaisants à sa seule discrétion.

Ovention garantit que les composants du Produit suivants sont exempts de défauts de matériel et de fabrication à partir de la date d'achat (sous réserve des conditions précédentes) pour la ou les périodes de temps et en fonction des conditions listées ci-dessous :

- **Garantie de quatre-vingt-dix (90) jours pour les pièces uniquement :**
Pièces de rechange

LES GARANTIES PRÉCÉDENTES SONT EXCLUSIVES ET REMPLACENT TOUTES AUTRES GARANTIES, EXPRESSES OU IMPLICITES, COMPRENANT, MAIS NE SE LIMITANT PAS À, TOUTES GARANTIES IMPLICITES DE QUALITÉ MARCHANDE OU DE FINALITÉ PARTICULIÈRE OU TOUTS BREVETS OU TOUTES AUTRES ATTEINTES AUX DROITS DE LA PROPRIÉTÉ INTELLECTUELLE. Sans restreindre la portée générale des énoncés précédents, CES GARANTIES NE COUVRENT PAS : les dommages sur les écrans tactiles causés par un emploi abusif ou des impacts; les pièces d'usure telles que les filtres à air et des bandes transporteuses; les dommages sur la catalyse dus à l'utilisation de produits de nettoyage non-approuvés; une mauvaise utilisation du produit, une mauvaise application ou une utilisation frauduleuse; une installation incorrecte; un nettoyage insuffisant ou inadapté; ou l'application d'une tension incorrecte.

2. LIMITES DES RECOURS ET DES DOMMAGES

La responsabilité d'Ovention et la seule voie de recours de l'Acheteur prévues par les présentes seront limitées exclusivement, au gré d'Ovention, à la réparation ou au remplacement par un centre de réparation agréé par Ovention (sauf si l'Acheteur se situe hors des États-Unis, du Canada, du Royaume-Uni ou de l'Australie, auquel cas la responsabilité d'Ovention et la seule voie de recours de l'Acheteur seront limitées exclusivement au remplacement des pièces concernées par la garantie) à l'égard de toute revendication effectuée dans les délais de garantie applicables mentionnés ci-dessus. Ovention se réserve le droit d'accepter ou de rejeter toute réclamation en partie ou dans son intégralité. Ovention n'acceptera aucun retour de Produits sans qu'il n'ait auparavant donné son accord écrit, et tous ces retours approuvés doivent être effectués aux seuls frais de l'Acheteur. OVENTION NE SERA PAS TENU RESPONSABLE, DANS AUCUNE CIRCONSTANCE, DES DOMMAGES CONSÉCUTIFS OU INDIRECTS, COMPRENANT, MAIS NE SE LIMITANT PAS À, LES COÛTS DE MAIN-D'ŒUVRE OU PERTES DE PROFITS DUS À UNE UTILISATION OU À UNE IMPOSSIBILITÉ D'UTILISER LES PRODUITS OU DUS AU FAIT QUE LES PRODUITS ONT ÉTÉ INTÉGRÉS DANS OU QU'ILS SONT DEVENUS UN COMPOSANT DE TOUT AUTRE PRODUIT OU BIEN.

Información Importante para el Propietario	38	Cocción	45
Introducción	38	Apagado	46
Información Importante de Seguridad	39	Programación de los elementos de menú	46
Descripción del Modelo	40	Programación de un evento de cocción	48
Denominación del Modelo	41	Edición de las temperaturas de punto de ajuste	49
Especificaciones	41	Cambio de la unidad de medida de temperatura	49
Configuraciones del Enchufe	41	Carga desde una unidad USB	50
Cuadro de Clasificación Eléctrica	41	Mantenimiento	51
Rango de temperaturas	41	Generalidades	51
Dimensiones	42	Limpieza diaria	51
Instalación	43	Limpieza semanal	52
Generalidades	43	Limpieza mensual	53
Operación	44	Guía de Resolución de Problemas	54
Generalidades	44	Opciones y Accesorios	55
Información de elementos de menú	44	Garantía Limitada	56
Encendido	44		

INFORMACIÓN IMPORTANTE PARA EL PROPIETARIO

Anote el número de modelo, número de serie, voltaje y fecha de compra de su unidad en los espacios a continuación (etiqueta de especificaciones ubicada en el lado izquierdo de la unidad). or favor, tenga esta información disponible cuando llame a Ovention® para recibir asistencia técnica.

Modelo No. _____

Serie No. _____

Voltaje _____

Fecha de compra _____

Horario
de atención: 8:00 a.m. a 5:00 p.m.
Horario de la zona central

(Horario de verano: junio a septiembre —
8:00 AM to 5:00 PM CST lunes a jueves
8:00 AM to 2:30 PM CST viernes)

Teléfono: 855-298-6836 (línea directa de Ovention)

email: partsandservice@oventionovens.com

Puede encontrar información adicional si visita nuestro sitio Web en: www.oventionovens.com.



¿Necesita ayuda?
Llame a la línea directa gratuita de Ovention las 24 horas
855-298-OVEN(6836)

INTRODUCCIÓN

Los hornos Matchbox® de Ovention establecen un nuevo estándar de calidad, velocidad, flexibilidad y eficiencia de cocción. Un nuevo descubrimiento en la manipulación del aire no solo acelera el proceso de cocción, sino que “mezcla” y recircula el aire a través del horno, eliminando la necesidad de un sistema de extractores en la mayoría de las instalaciones. Gracias a las pantallas táctiles orientadas con íconos, los operadores pueden utilizar, editar y desarrollar más de 1 000 elementos de menú personalizados. Pueden desarrollarse elementos de menú para que incluyan hasta tres etapas de cocción, y se pueden variar para cada una los perfiles de calor, los ajustes de velocidad de aire superior e inferior y el tiempo.

Los hornos Matchbox de Ovention están diseñados con un innovador sistema de transporte de alimentos que permite el funcionamiento continuo del horno. Un sistema deslizante con dos superficies de cocción separadas se traslada hacia adelante y atrás dentro de la cámara del horno. Una de las superficies de cocción siempre permanece en el horno, mientras que la otra espera el próximo alimento.

Los hornos Matchbox de Ovention son productos que cuentan con amplias pruebas de campo e investigación. Los materiales utilizados se seleccionaron para obtener una durabilidad máxima, una apariencia atractiva y un desempeño óptimo. Todas las unidades se inspeccionan y se prueban exhaustivamente antes de su envío.

Este manual contiene las instrucciones de instalación, seguridad y uso de los hornos Matchbox de Ovention. Ovention recomienda que se lean todas las instrucciones de instalación, uso y seguridad que se encuentran en este manual antes de instalar o usar el horno.

La información de seguridad que aparece en este manual se identifica a través de los siguientes paneles con señales y palabras:

⚠ ADVERTENCIA

ADVERTENCIA indica una situación peligrosa que, en caso de no evitarse, puede resultar en lesiones graves e incluso la muerte.

⚠ ATENCIÓN

ATENCIÓN indica una situación peligrosa que, en caso de no evitarse, puede resultar en lesiones menores o moderadas.

AVISO

AVISO se usa para abordar prácticas que no están relacionadas con lesiones personales.



Lea la siguiente importante información de seguridad para evitar lesiones personales o la muerte, y para evitar daños al equipo o la propiedad.

ADVERTENCIA

PELIGRO DE DESCARGA ELÉCTRICA:

- Enchufe la unidad a un tomacorriente adecuadamente conectado a tierra del voltaje, tamaño y configuración del enchufe correctos. Si el enchufe y el tomacorriente no coinciden, comuníquese con un electricista calificado para determinar e instalar el voltaje y el tamaño de tomacorriente correctos.
- La unidad debe conectarse a tierra correctamente. Si no conecta la unidad a tierra correctamente, podría provocar lesiones personales graves o la muerte.
- Apague el interruptor de espera, permita que la unidad se enfríe y desconecte la unidad/apague el interruptor de desconexión principal antes de realizar la limpieza, los ajustes o el mantenimiento.
- NO sumerja ni sature la unidad con agua. La unidad no es impermeable. No opere la unidad si ésta se sumergió o saturó con agua.
- La unidad no es a prueba de intemperie. Coloque la unidad en interiores donde la temperatura del aire ambiente sea de un mínimo de 21°C (70°F).
- No limpie con vapor ni use agua en exceso en la unidad.
- Esta unidad no tiene una construcción “a prueba de chorros”. No use un pulverizador de limpieza a chorro para limpiar la unidad.
- No limpie la unidad cuando esté energizada o caliente.
- No limpie la unidad con esponjas abrasivas. Las piezas metálicas pueden romper la esponja y entrar en contacto con los componentes eléctricos, creando un riesgo de descarga eléctrica.
- No tire la unidad por el cable de alimentación.
- Mantenga el cable de alimentación lejos de las superficies calientes.
- No permita que el cable de alimentación cuelgue sobre el borde del mostrador.
- No use la unidad si el cable de alimentación está deshilachado o desgastado.
- No intente reparar ni reemplazar un cable de alimentación dañado. El cable debe ser reemplazado por un agente de servicio de Ovention autorizado o una persona con calificaciones similares.
- Sólo personal calificado debe realizar mantenimiento en esta unidad. El mantenimiento por parte de personal que no esté calificado puede causar descargas eléctricas o quemaduras.
- Use sólo repuestos Hatco originales cuando se necesite realizar mantenimiento. En caso de no utilizarse repuestos Hatco originales, se anularán todas las garantías y se puede someter a los operadores del equipo a voltajes eléctricos peligrosos, dando como resultado descargas eléctricas o quemaduras. Los repuestos Hatco originales están especificados para operar en forma segura en los entornos en los que se usan. Los repuestos de mercado secundario o genéricos no cuentan con las características que les permiten operar en forma segura en los equipos Hatco.

En caso de una emergencia, desconecte la unidad (Modelo 1313) o apague el interruptor de desconexión principal (Modelo 1718).

PELIGRO DE EXPLOSIÓN: No almacene ni utilice gasolina ni otros vapores o líquidos inflamables en las cercanías de este o cualquier otro artefacto.

ADVERTENCIA

RIESGO DE INCENDIO:

- No instale la unidad sobre superficies combustibles ni alrededor de éstas. Puede ocurrir decoloración o combustión. La unidad debe instalarse en entornos no combustibles únicamente.
- No utilice prolongadores. Si el cable de alimentación es demasiado corto, comuníquese con un electricista calificado para determinar e instalar un receptáculo eléctrico del voltaje y tamaño correctos cerca de la unidad.

Instale la unidad según las instrucciones de instalación de este manual.

Este horno está diseñado específicamente para calentar o cocinar, NO para uso industrial o de laboratorio.

Asegúrese de que los usuarios de esta unidad han recibido la formación necesaria para garantizar el manejo de esta unidad de forma segura y apropiada.

Esta unidad no debe ser utilizada por niños o personas con capacidades físicas, sensoriales o mentales disminuidas. Asegúrese de los niños están supervisados y manténgalos alejados de la unidad.

La unidad puede estar situada próxima a un suelo resbaladizo.

Esta unidad no posee piezas que “el usuario pueda reparar”. Si se requiere mantenimiento para la unidad, comuníquese con un agente de servicio de Ovention autorizado o llame a la línea directa de Ovention al 855-298-6836.

ATENCIÓN

PELIGRO DE QUEMADURAS:

- Algunas superficies exteriores de la unidad se calentarán. Evite el contacto innecesario con la unidad.
- Las bandejas/fuentes estarán muy calientes al retirarlas de la unidad: utilice una manopla de horno, una agarradera para fuentes u otro utensilio para extraerlas.

No apague el interruptor de desconexión principal ni desconecte la unidad inmediatamente después del uso. Los ventiladores internos deben enfriar el horno para evitar daños en los componentes eléctricos.

Coloque la unidad a la altura correcta del mesón en un área que sea cómoda para su uso. La ubicación debe estar nivelada para evitar que la unidad o su contenido caigan accidentalmente y ser lo suficientemente firme para soportar el peso de la unidad y el contenido.

NO eleve la unidad mediante las plataformas en cada lado de la cámara del horno. Las plataformas no están diseñadas para soportar el peso de la unidad. Elévela únicamente desde la parte inferior de la cámara del horno.

No traslade ni reubique la unidad para la limpieza. La unidad es voluminosa y pesada.

No ponga nada sobre la unidad; esto podría exponer a personal a lesiones o dañar la unidad.

No caliente contenedores sellados o productos como huevos enteros en el horno. Estos elementos pueden explotar.

Preste atención y tenga cuidado con los puntos punzantes cuando se mueva el conjunto deslizante.

No almacene ningún material o elemento dentro de la cámara del horno cuando no esté en uso.

⚠️ ATENCIÓN

Nunca utilice esponjas de acero, cepillos de cerdas ni espátulas para limpiar la unidad.

La limpieza incorrecta del horno puede dañar el catalizador y anular la garantía de la unidad.

Utilice guantes de goma protectores y gafas protectoras cuando limpie la unidad.

AVISO

Deje una distancia mínima de 25 mm (1") a lo largo de las partes laterales y trasera de la unidad para una correcta ventilación. No bloquee ni cubra las ventilaciones del gabinete.

AVISO

No cubra las estanterías ni ninguna otra pieza del horno con una lámina metálica. La restricción del caudal de aire hará que el horno se sobrecaliente.

No apoye la unidad sobre los lados delantero o trasero. Podrían producirse daños en la unidad.

Utilice únicamente paños y productos de limpieza no abrasivos. Los paños o productos de limpieza abrasivos podrían rayar el acabado de la unidad, lo que podría deteriorar su apariencia y hacerla susceptible de acumular suciedad.

Limpie la unidad diariamente para evitar el mal funcionamiento y mantener un funcionamiento higiénico.

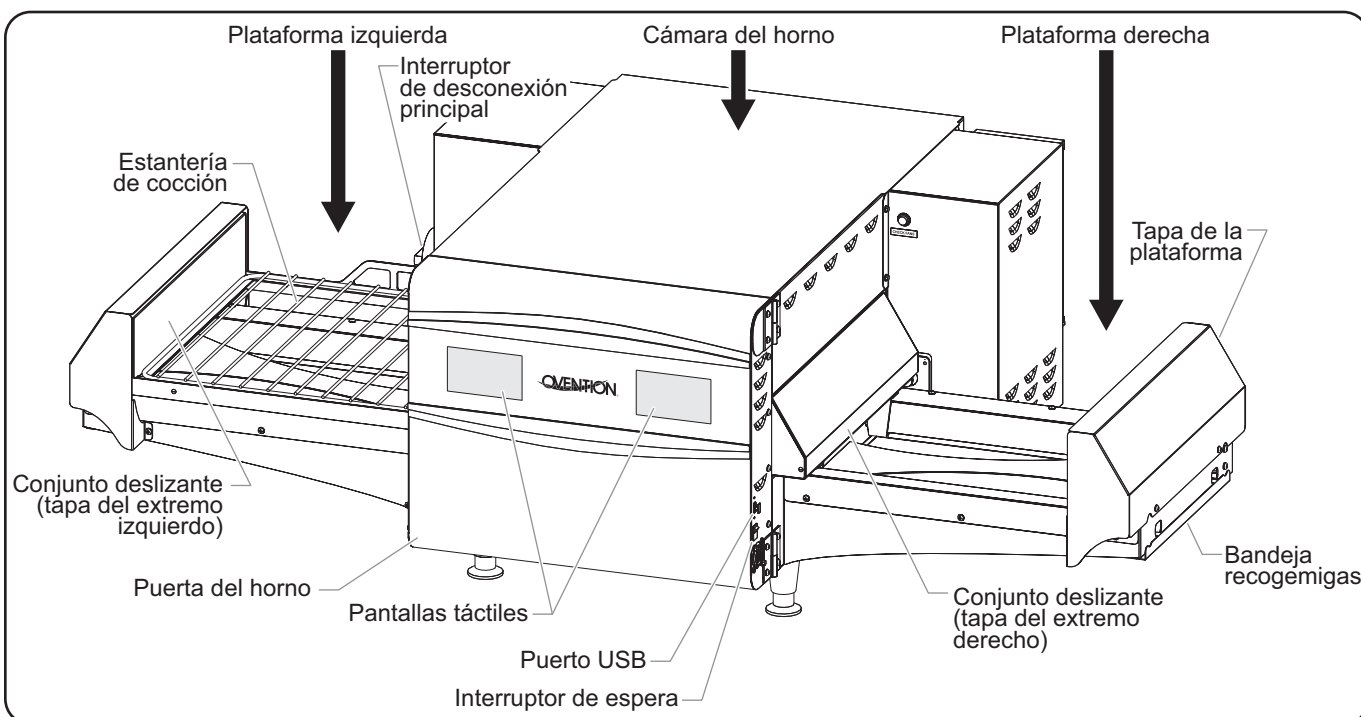
DESCRIPCIÓN DEL MODELO

Todos los Modelos

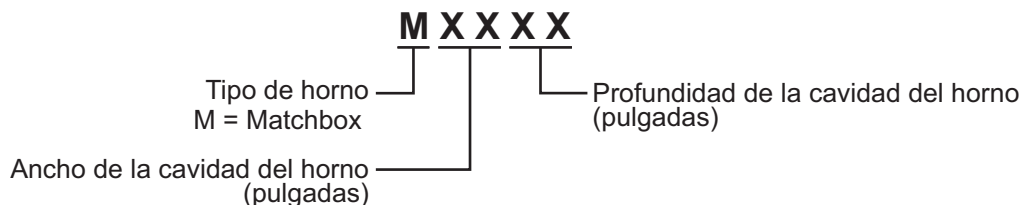
Los hornos Matchbox® de Ovention® están diseñados para ofrecer una flexibilidad inigualable tanto en instalaciones en la cocina y en el frente de la casa. La variedad de opciones de menú, el pequeño tamaño de huella, el bajo escape de calor y la instalación sin extractores hacen que el horno Matchbox sea una solución alternativa única para varias piezas de equipos de cocción.

Cada horno Matchbox está equipado con elementos calentadores dedicados superiores e inferiores y sopladores de aire. Los sopladores de aire dirigen el aire caliente a través de las placas de inyección superior e inferior dentro de la cámara del horno, arriba y debajo de los alimentos. El conjunto deslizante que se compone de dos superficies de cocción separadas se mueve entre la plataforma izquierda, la cámara del horno y la plataforma derecha gracias a un motor de impulsión y una rueda de engranajes. Cuando una superficie de cocción se encuentra en la cámara del horno, la otra se encuentra en su plataforma correspondiente esperando la próxima tanda de alimentos.

Los controles del operador se componen de dos pantallas táctiles (una para cada superficie de cocción), un interruptor de espera y un interruptor de desconexión principal (Modelo M1718 únicamente). Las dos bandejas recogemigas removibles debajo de cada plataforma facilitan la limpieza. El puerto USB permite la carga de elementos de menú programados previamente, la instalación de actualizaciones de software y la oportunidad de obtener diagnósticos de servicio. El cable de 1829 mm (6') y el conjunto de enchufes son estándares.



Descripción del Modelo (Se muestra el Modelo M1718)



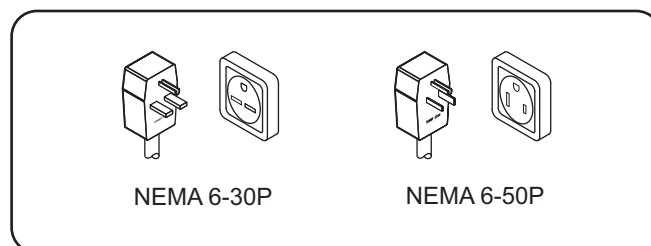
ESPECIFICACIONES

Configuraciones del Enchufe

Las unidades están equipadas con un cable eléctrico y un enchufe adecuados para la calificación eléctrica de la unidad. La unidad debe conectarse a un circuito dedicado.

⚠ ADVERTENCIA

PELIGRO DE DESCARGA ELÉCTRICA: Enchufe la unidad a un tomacorriente adecuadamente conectado a tierra del voltaje, tamaño y configuración del enchufe correctos. Si el enchufe y el tomacorriente no coinciden, comuníquese con un electricista calificado para determinar e instalar el voltaje y el tamaño de tomacorriente correctos.



Configuraciones del Enchufe

NOTA: Ovention no proporciona el tomacorriente.

Cuadro de Clasificación Eléctrica

Modelo	Voltaje	Vatios	Amperios	Fase	Hercios	Configuraciones del Enchufe	Peso de la unidad
M1313	208/240	5408/6960	26/29	1	60	NEMA 6-30P	166 lbs. (75 kg)
M1313CSA	208	4992	24	1	60	NEMA 6-30P	166 lbs. (75 kg)
M1718	208/240	9152/11760	44/49	1	60	NEMA 6-50P	229 lbs. (102 kg)
M1718CSA	208	8320	40	1	60	NEMA 6-50P	229 lbs. (102 kg)

NOTA: Los hornos Matchbox de Ovention están diseñados para aceptar 208 VAC o 240 VAC. El horno se ajustará automáticamente al voltaje de entrada.

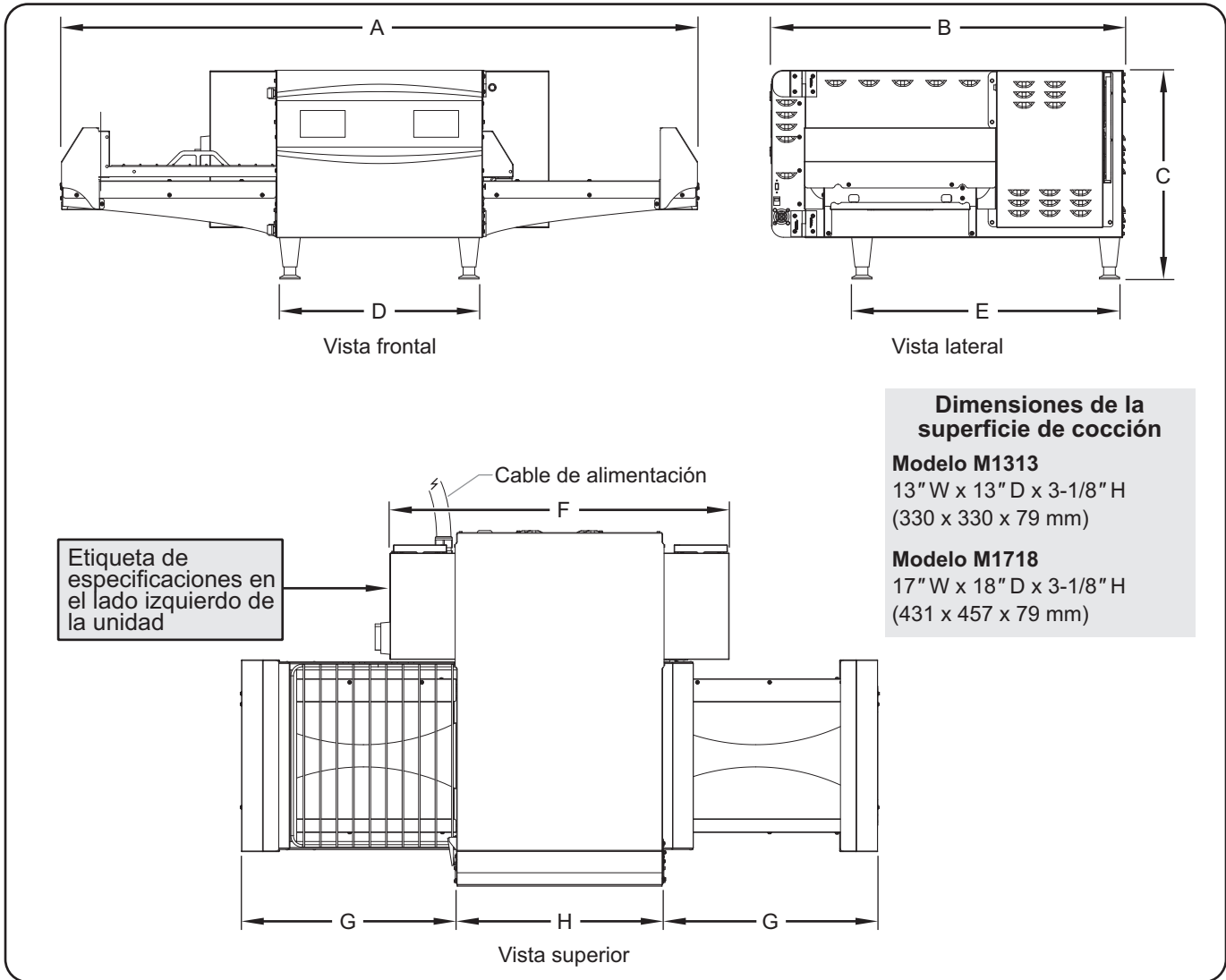
NOTA: La etiqueta de especificaciones ubicada en el lado izquierdo de la unidad. Consulte la etiqueta para ver el número de serie y verificar la información eléctrica de la unidad.

Rango de temperaturas

El rango de temperaturas de funcionamiento del horno es 149°–274°C (300°–525°F).

Dimensiones

Modelo	Ancho total (A)	Profundidad (B)	Altura (C)	Ancho de las patas (D)	Profundidad de las patas (E)	Ancho de la parte trasera (F)	Ancho de la plataforma (G)	Ancho del cuerpo (H)
M1313	49-7/8" (1266 mm)	28-3/4" (730 mm)	20-1/4" (514 mm)	15-7/16" (391 mm)	20-7/16" (518 mm)	29" (735 mm)	16-15/16" (430 mm)	16-1/16" (408 mm)
M1718	61-3/4" (1567 mm)	34-1/2" (876 mm)	20-1/4" (514 mm)	19-5/16" (490 mm)	26" (659 mm)	32-15/16" (835 mm)	20-7/8" (530 mm)	20" (508 mm)



Dimensiones (Se muestra el Modelo M1718)

Generalidades

Los hornos Matchbox® de Ovention® se envían con la mayoría de los componentes preensamblados. Se debe tener cuidado al desempacar la caja de envío para evitar dañar la unidad y los componentes incluidos.

⚠ ADVERTENCIA

PELIGRO DE DESCARGA ELÉCTRICA: La unidad no es a prueba de intemperie. Coloque la unidad en interiores donde la temperatura del aire ambiente sea de un mínimo de 21°C (70°F).

RIESGO DE INCENDIO: No instale la unidad sobre superficies combustibles ni alrededor de éstas. Puede ocurrir decoloración o combustión. La unidad debe instalarse en entornos no combustibles únicamente.

⚠ ATENCIÓN

Coloque la unidad a la altura correcta del mesón en un área que sea cómoda para su uso. La ubicación debe estar nivelada para evitar que la unidad o su contenido caigan accidentalmente y ser lo suficientemente firme para soportar el peso de la unidad y el contenido.

AVISO

No apoye la unidad sobre los lados delantero o trasero. Podrían producirse daños en la unidad.

NOTA Debido al tamaño y al peso del horno Matchbox, utilice la cantidad adecuada de personas para la instalación según el peso del horno.

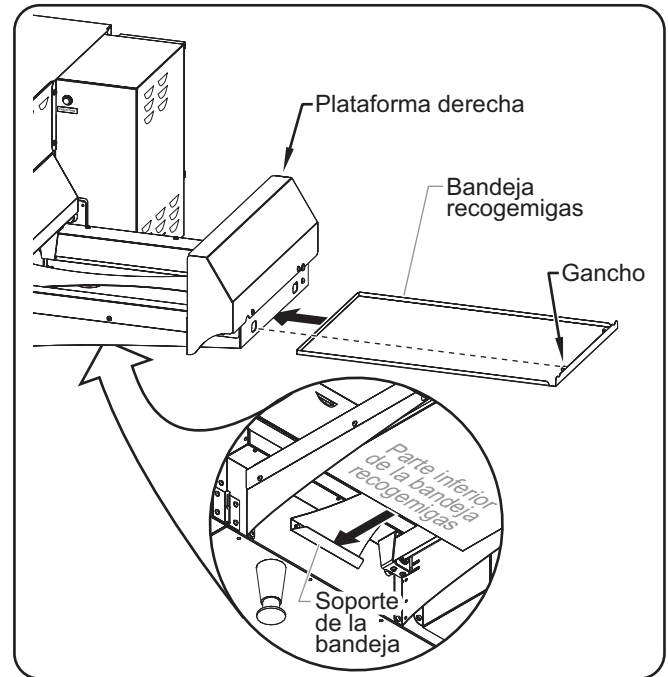
1. Inspeccione el contenedor de envío en busca de señales obvias de daños por transporte. Si encuentra daños, informe a la compañía de transporte de manera inmediata. **ATENCIÓN! ¡Deténgase! No intente utilizar el horno si está dañado. Comuníquese con Ovention para obtener ayuda.**
2. Corte y retire las bandas de envío de alrededor del embalaje del horno.
3. Quite la cinta y el material de embalaje de todas las superficies de la unidad.
4. Retire las estanterías de cocción y las bandejas recogemigas del embalaje.
5. Inspeccione el horno en busca de daños por el transporte, como abolladuras en las tapas de los extremos o dentro de la cámara del horno. Si encuentra daños, informe a la compañía de transporte de manera inmediata.

⚠ ATENCIÓN

NO eleve la unidad mediante las plataformas en cada lado de la cámara del horno. Las plataformas no están diseñadas para soportar el peso de la unidad. Elévela únicamente desde la parte inferior de la cámara del horno.

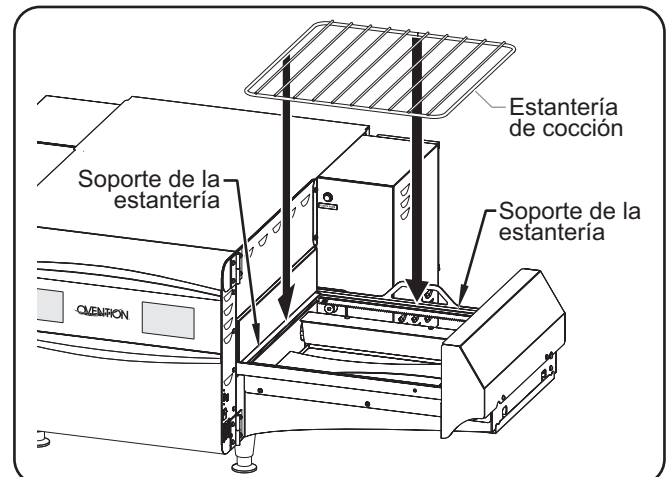
6. Coloque la unidad en la ubicación que desea. Asegúrese de elevar la unidad desde la parte inferior de los lados delantero y trasero de la cámara del horno únicamente.
 - Coloque la unidad en una zona donde la temperatura ambiente sea constante y no sea inferior a 21° C (70° F).
 - Asegúrese de que la unidad está a la altura correcta del mesón en un área cómoda para su uso.
 - Asegúrese de que la superficie del mostrador/la mesa esté nivelada y de que pueda soportar el peso de la unidad y de los alimentos.
 - Posicione la unidad con un espacio mínimo de 25 mm (1") en la parte trasera y en los lados para obtener una ventilación correcta.

- Asegúrese de que todas las patas de la parte inferior de la unidad están bien colocadas sobre el mostrador/la mesa.
7. Instale una bandeja recogemigas debajo de cada plataforma.
 - Deslice la bandeja debajo de la plataforma y dentro del soporte de la bandeja contra la cámara del horno.
 - Coloque los dos ganchos de la bandeja en los orificios del extremo de la plataforma.



Instalación de la bandeja recogemigas

8. Instale una estantería de cocción en cada superficie de cocción del conjunto deslizante.
 - Mueva el conjunto deslizante manualmente para instalar las estanterías.



Instalación de la estantería de cocción

9. Enchufe la unidad a un receptáculo adecuadamente conectado a tierra del voltaje, tamaño y configuración de enchufe correctos. Vea la sección de ESPECIFICACIONES para conocer los detalles.

NOTA: El horno es apto para 208 VAC o 240 VAC y se ajusta automáticamente al voltaje que se suministre.

Generalidades

Utilice la información y los procedimientos siguientes para hacer funcionar el horno Matchbox® de Ovention®.

NOTA: Los hornos del modelo 1313 están diseñados para tamaños de fuentes de hasta 1/4 del tamaño estándar para fuentes (229 mm de ancho x 330 mm de profundidad [9" x 13"]). Los hornos del modelo 1718 están diseñados para tamaños de fuentes de hasta 1/2 del tamaño estándar para fuentes (330 mm de ancho x 457 mm de profundidad [13" x 18"]).

⚠ ADVERTENCIA

Lea todos los mensajes de seguridad de la sección **INFORMACIÓN DE SEGURIDAD IMPORTANTE** antes de operar el equipo.

En caso de una emergencia, desconecte la unidad (Modelo 1313) o apague el interruptor de desconexión principal (Modelo 1718).

⚠ ATENCIÓN

PELIGRO DE QUEMADURAS: Algunas superficies exteriores de la unidad se calentarán. Evite el contacto innecesario con la unidad.

Preste atención y tenga cuidado con los puntos punzantes cuando se mueva el conjunto deslizable.

Información de elementos de menú

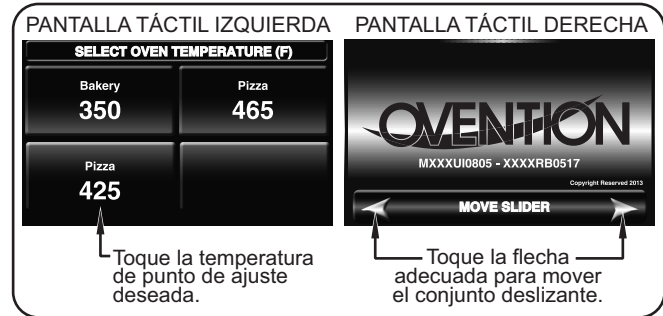
Los hornos Matchbox están diseñados para ofrecer flexibilidad y eficiencia inigualables. Cada horno tiene la capacidad para almacenar 1 024 elementos de menú personalizados. Los elementos de menú pueden organizarse en categorías que agrupan elementos similares, como distintas variedades de pizzas. Puede crearse un total de 128 categorías, y cada categoría puede contener 128 elementos de menú específicos. Todos los elementos de menú y/o las categorías aparecen en la pantalla Main Recipes (Recetas principales).

NOTA: No es necesario utilizar las Categorías. El horno puede configurarse utilizando solo elementos específicos del menú.

Durante el arranque inicial, la pantalla Main Recipes (Recetas principales) muestra elementos de menú de ejemplo o elementos de menú precargados específicos del cliente. Si la pantalla Main Recipes (Recetas principales) muestra elementos de menú de ejemplo, estos se pueden utilizar para ayudar a desarrollar elementos de menú específicos adecuados para la instalación. Consulte el procedimiento "Programación de elementos del menú" en esta sección para ver las instrucciones para crear elementos de menú.

Encendido

1. En el modelo M1718, asegúrese de que el interruptor de desconexión principal esté en la posición ON (I) (Encendido).
2. Mueva el interruptor de espera hasta la posición "On" (Encendido).
 - Se encenderán las pantallas táctiles. Una pantalla táctil muestra las temperaturas de punto de ajuste disponibles. La otra muestra el nombre del horno y la versión actual del software.



Pantallas Startup (Arranque)

3. Toque la temperatura de punto de ajuste deseada en la pantalla táctil izquierda.
 - El conjunto deslizable deseado se moverá a la posición predeterminada, si es que ya no se encuentra allí.
 - Se pondrán en marcha los calentadores, sopladores de aire y ventiladores de refrigeración del horno. Espere entre 10 y 15 minutos a que el horno alcance la temperatura de punto de ajuste.
 - La pantalla táctil izquierda muestra la temperatura de punto de ajuste seleccionada y la temperatura actual de la cavidad.
 - La pantalla táctil derecha muestra la temperatura de punto de ajuste seleccionada y el tiempo restante estimado para alcanzar la temperatura de punto de ajuste.



Pantallas Preheat (Precalentamiento)

Cuando el horno alcance la temperatura de punto de ajuste, ingresará en un período de estabilización de temperatura (aparecerá una pantalla de cuenta regresiva).



Pantalla Oven Stabilizing (estabilización del horno)

Una vez que se estabiliza la temperatura, aparece la pantalla Main Recipes (Recetas principales) en una de las pantallas táctiles, según la ubicación del conjunto deslizante. El horno ahora está listo para la cocción.



Pantalla Main Recipes (Recetas principales)

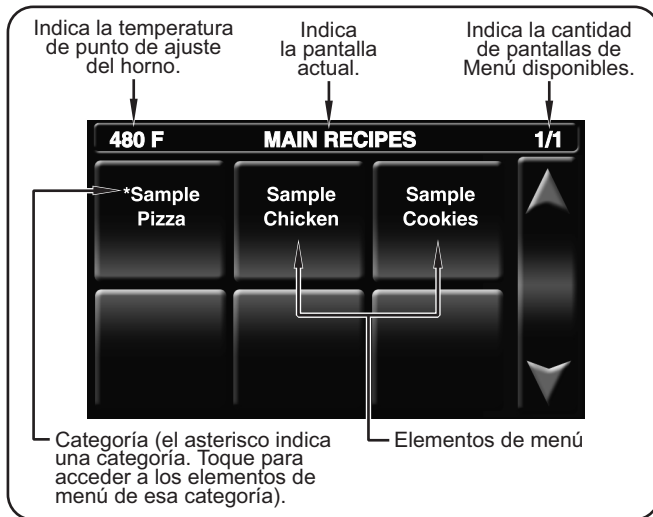
NOTA: Los elementos de menú mostrados solo son de ejemplo. Según la configuración del horno, la pantalla Main Recipes (Recetas principales) mostrará elementos de menú de ejemplo o precargados específicos del cliente.

Cocción

Utilice los siguientes procedimientos para cocinar un solo o varios elementos de manera continua.

Cocción de un solo elemento

1. Asegúrese de que el horno haya alcanzado la temperatura de punto de ajuste. La pantalla Main Recipes (Recetas principales) aparecerá en una de las pantallas táctiles.



Pantalla Main Recipes (Recetas principales)

2. Utilizando una paleta, una manopla de horno u otro utensilio, coloque los alimentos en la superficie de cocción que se encuentra fuera de la cámara del horno.

NOTA: La pantalla táctil izquierda corresponde a la superficie/plataforma de cocción izquierda, y la pantalla táctil derecha corresponde a la superficie/plataforma de cocción derecha.

3. Toque el elemento de menú deseado en la pantalla táctil correspondiente.

- El conjunto deslizante mueve los alimentos dentro de la cámara del horno y comienza la secuencia de cocción.
- La pantalla táctil cambia a la pantalla Cooking (Cocción) y muestra el tiempo de cocción restante para el elemento de menú seleccionado.



Pantalla Cooking (cocción)

- Si el elemento de menú seleccionado contiene cualquier evento de cocción, aparecerá la pantalla de cuenta regresiva del evento de cocción en la pantalla táctil opuesta a la pantalla Cooking (Cocción). Cuando ocurre un evento de cocción, el conjunto deslizante mueve los alimentos fuera de la cámara del horno. Complete la acción en el alimento y toque RESUME (Reanudar) en la pantalla Cook Event (Evento de cocción) para continuar la secuencia de cocción. Consulte "Programación de un evento de cocción" en esta sección para obtener una descripción detallada de los eventos de cocción.
- Cuando finalice la secuencia de cocción, la pantalla táctil parpadea "DONE" (Listo), suena una alerta audible y el conjunto deslizante mueve los alimentos fuera de la cámara del horno.

⚠ ATENCIÓN

PELIGRO DE QUEMADURAS: Las bandejas/fuentes estarán muy calientes al retirarlas de la unidad: utilice una manopla de horno, una agarradera para fuentes u otro utensilio para extraerlas.

4. Utilizando una paleta, una manopla de horno u otro utensilio, retire los alimentos cocinados.

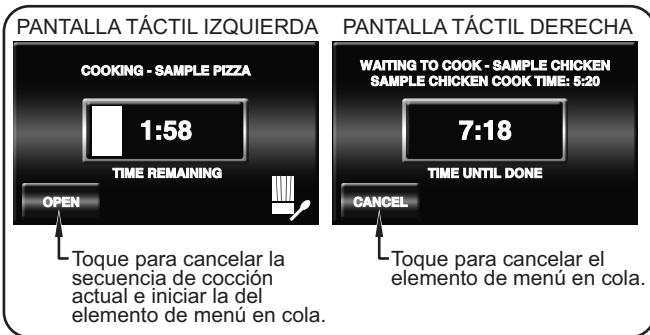
continuación...

Cola de elementos para cocción (Cocción continua)

1. Realice los pasos del 1 al 3 del procedimiento "Cocción de un solo elemento" de esta sección.
 - El conjunto deslizante mueve los alimentos dentro de la cámara del horno y comienza la secuencia de cocción.
2. Utilizando una paleta, una manopla de horno u otro utensilio, coloque la próxima tanda de alimentos en la superficie de cocción opuesta que ahora se encuentra fuera de la cámara del horno.

NOTA: Si el elemento de menú seleccionado tiene algún evento de cocción, la cocción del elemento en cola no estará disponible hasta que se completen todos los eventos de cocción.

3. Toque el elemento de menú deseado en la pantalla táctil correspondiente.
 - La pantalla táctil cambia a la pantalla Queue (Cola) y muestra el elemento de menú en cola, el tiempo de cocción del elemento en cola y el tiempo total restante hasta que finalice la cocción del elemento en cola.



- Pantallas táctiles durante la cocción del elemento en cola
- Cuando falten 10 segundos para la primera secuencia de cocción, la pantalla Queue (Cola) parpadeará en color amarillo, indicando que el conjunto deslizante está a punto de moverse.
 - Cuando finalice la primera secuencia de cocción, la pantalla táctil correspondiente parpadeará "DONE" (Listo), sonará una alerta audible y el conjunto deslizante moverá los alimentos fuera de la cámara del horno, a la vez que moverá los alimentos en cola dentro de la cámara del horno.

4. Utilizando una paleta, una manopla de horno u otro utensilio, retire los alimentos cocinados.
5. Repita los pasos del 2 al 4 de este procedimiento para la cocción continua de elementos en cola.

Apagado

1. Mueva el interruptor de espera hasta la posición "Off" (Apagado).
 - Se apagarán los calentadores del horno y las pantallas táctiles.
 - Los sopladores de aire y los ventiladores de refrigeración seguirán funcionando hasta que la temperatura de la cámara del horno disminuya por debajo de los 140°F (60°C).



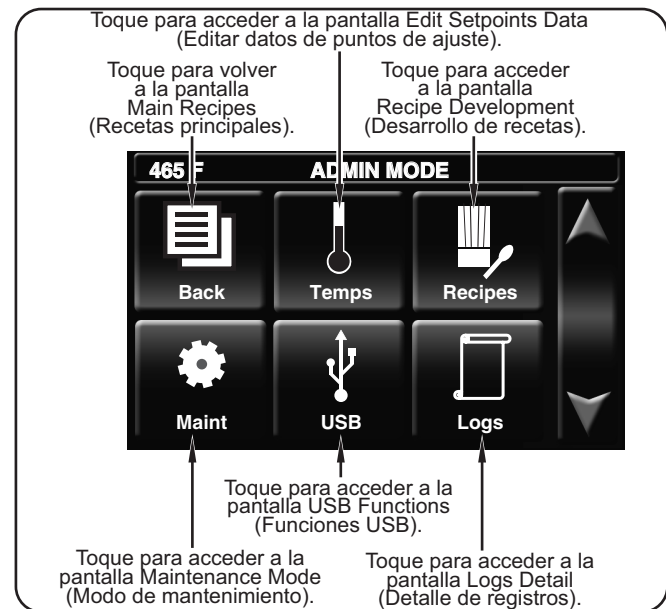
No apague el interruptor de desconexión principal ni desconecte la unidad inmediatamente después del uso. Los ventiladores internos deben enfriar el horno para evitar daños en los componentes eléctricos.

Programación de los elementos de menú

Utilice el siguiente procedimiento para editar, crear o eliminar elementos de menú y categorías. Estos procedimientos requieren acceso a pantallas protegidas por contraseña y solo debe llevarlo a cabo personal autorizado..

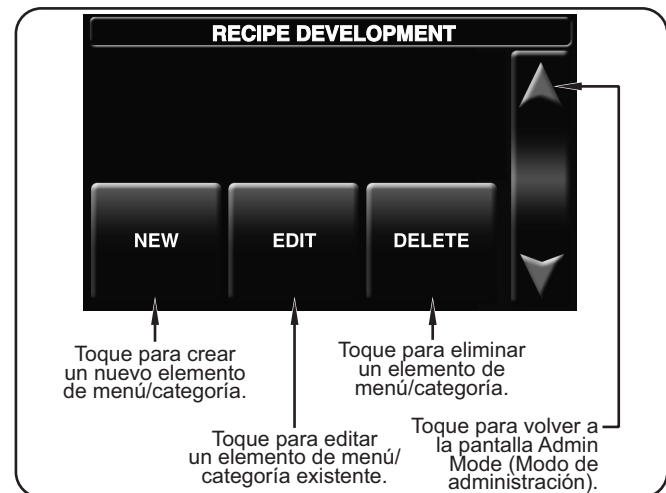
NOTA: El puerto USB permite la carga de elementos de menú programados previamente desde una unidad USB externa. Consulte el procedimiento "Carga desde una unidad USB" de esta sección para obtener detalles.

1. En la pantalla Main Recipes (Recetas principales), toque la flecha hacia "arriba".
 - Aparecerá un teclado para ingresar la contraseña en la pantalla táctil.
2. Ingrese la contraseña mediante el teclado y toque ENTER (Intro).
 - Aparecerá la pantalla Admin Mode (Modo de administración) en la pantalla táctil.



Pantalla Admin Mode (Modo de administración)

3. Toque RECIPES (Recetas) para acceder a la pantalla Recipe Development (Desarrollo de recetas).



Pantalla Recipe Development (Desarrollo de recetas)

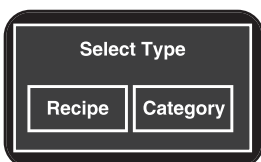
4. Toque NEW (Nuevo), EDIT (Editar) o DELETE (Eliminar) en la pantalla Recipe Development (Desarrollo de recetas), según la función deseada. Luego, consulte el procedimiento adecuado en esta sección.

Creación de nuevos elementos de menú o nuevas categorías

1. Luego de tocar NEW (Nuevo) en la pantalla Recipe Development (Desarrollo de recetas), aparecerá la ventana New Recipe/Category (Nueva receta/categoría). Esta pantalla se parece a la pantalla Main Recipes (Recetas principales).

2. Toque un cuadro vacío. Aparecerá la ventana Select Type (Seleccionar tipo). Si no hay cuadros vacíos disponibles, toque la flecha “hacia abajo” para desplazarse hasta la pantalla siguiente.

3. Toque Recipe (Receta) para crear un nuevo elemento de menú, o bien toque Category (Categoría) para crear una nueva categoría.



- **Para los elementos de menú nuevos**, aparecerá la pantalla New Recipe Settings (Configuración de nueva receta).
- **Para las nuevas categorías**, aparecerá un teclado. Escriba el nombre de la nueva categoría y toque ENTER (Intro). Volverá a aparecer la pantalla Recipe Development (Desarrollo de recetas). Para agregar elementos de menú a la nueva categoría:
 - a. Toque NEW (Nuevo) en la pantalla Recipe Development (Desarrollo de recetas).
 - b. Toque la nueva categoría que ahora está disponible en la pantalla New Recipe/Category (Nueva receta/categoría).
 - c. Toque un cuadro vacío en la nueva categoría y continúe con el siguiente paso en este procedimiento.



Pantalla New Recipe Settings (Configuración de nueva receta)

4. Toque cada cuadro “setting” (configuración) en la pantalla New Recipe Settings (Configuración de nueva receta) para editar la configuración correspondiente. La configuración incluye el nombre del elemento, el porcentaje máximo para el soplador, el porcentaje mínimo para el solador, la duración de la cocción y la temperatura de cocción.

- Si toca un cuadro “setting” (configuración), aparecerá un teclado específico para dicha configuración. Ingrese el valor deseado mediante el teclado y luego toque ENTER (Intro) para volver a la pantalla New Recipe Settings (Configuración de nueva receta).

- Los nombres de elementos de menú pueden tener hasta 16 caracteres.
- Toque la flecha “hacia abajo” para acceder a la configuración para las etapas 2 y 3. Cada elemento de menú puede programarse para que tenga hasta tres etapas, según el tipo de alimentos. Las etapas se programan con configuraciones exclusivas para crear una secuencia de cocción personalizada para el elemento de menú.

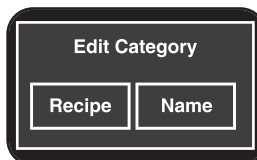
NOTA: No es necesario crear etapas para un elemento de menú si el tipo de alimentos no lo requiere. Si las etapas exclusivas no son necesarias, deje el tiempo de cocción para las etapas 2 y 3 en cero.

5. Cuando finalice la programación, toque EXIT OPTIONS (Salir de opciones) en la pantalla New Recipe Settings (Configuración de nueva receta).
 - a. Aparecerá la pantalla Recipe Dev Exit Options (Opciones de salida de desarrollo de recetas).
 - b. Toque la opción deseada: EXIT AND SAVE (Guardar y salir), EXIT (Salir) (sin guardar), CONTINUE EDITING (Continuar editando) o TEST COOK (Cocción de prueba).
 - Si toca alguna de las opciones “EXIT” (Salir), aparecerá la pantalla Recipe Development (Desarrollo de recetas). Si ya ha finalizado toda la programación, toque la flecha “hacia arriba” para volver a la pantalla Admin Mode (Modo de administración).
 - Para programar elementos de menú adicionales, repita los pasos adecuados de este procedimiento.

Edición de elementos de menú/categorías

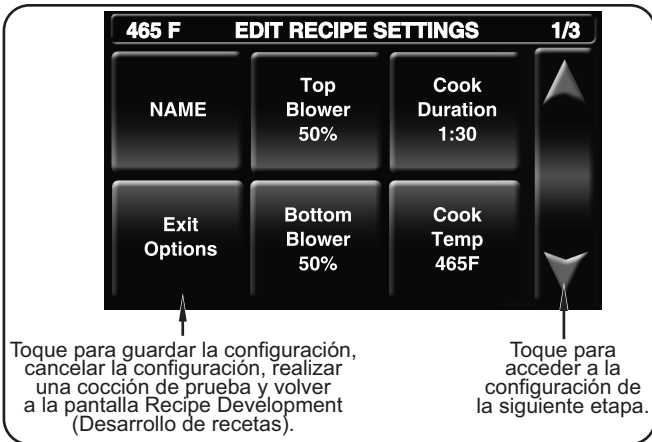
1. Luego de tocar EDIT (Editar) en la pantalla Recipe Development (Desarrollo de recetas), aparecerá la pantalla Edit Recipe/Category (Editar receta/categoría). Esta pantalla se parece a la pantalla Main Recipes (Recetas principales).
2. **Para editar un elemento de menú**, toque el elemento de menú deseado y aparecerá la pantalla Edit Recipe Settings (Editar configuración de receta).

3. **Para editar una categoría**, toque la categoría deseada. Aparecerá la ventana Edit Category (Editar categoría).



- Toque Recipe (Receta) para editar un elemento de menú en la categoría seleccionada. Toque el elemento de menú deseado y aparecerá la pantalla Edit Recipe Settings (Editar configuración de receta). Continúe con el siguiente paso en este procedimiento..
- Toque NAME (Nombre) para cambiar el nombre de la categoría seleccionada mediante el teclado que aparece y luego toque ENTER (Intro). Volverá a aparecer la pantalla Recipe Development (Desarrollo de recetas). El cambio de nombre está completo.

continuación...



Pantalla Edit Recipe Settings (Editar configuración de receta)

4. Toque cada cuadro "setting" (configuración) en la pantalla Edit Recipe Settings (Editar configuración de receta) para editar la configuración correspondiente. La configuración incluye el nombre del elemento, el porcentaje máximo para el soplador, el porcentaje mínimo para el solador, la duración de la cocción y la temperatura de cocción.

- Si toca un cuadro "setting" (configuración), aparecerá un teclado específico para dicha configuración. Ingrese el valor deseado mediante el teclado y luego toque ENTER (Intro) para volver a la pantalla Edit Recipe Settings (Editar configuración de receta).
- Los nombres de elementos de menú pueden tener hasta 16 caracteres.
- Toque la flecha "hacia abajo" para acceder a la configuración para las etapas 2 y 3, si es necesario.

NOTA: No es necesario crear etapas para un elemento de menú si el tipo de alimentos no lo requiere. Si las etapas exclusivas no son necesarias, deje el tiempo de cocción para las etapas 2 y 3 en cero.

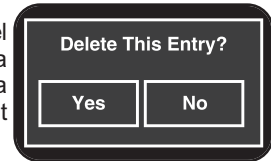
5. Cuando finalice la edición, toque EXIT OPTIONS (Salir de las opciones) en la pantalla Edit Recipe/Category (Editar receta/categoría) correspondiente.

- Aparecerá la pantalla Recipe Dev Exit Options (Opciones de salida de desarrollo de recetas).
- Toque la opción deseada: EXIT AND SAVE (Guardar y salir), EXIT (Salir) (sin guardar), CONTINUE EDITING (Continuar editando) o TEST COOK (Cocción de prueba).
 - Si toca alguna de las opciones "EXIT" (Salir), aparecerá la pantalla Recipe Development (Desarrollo de recetas). Si ya ha finalizado toda la edición, toque la flecha "hacia arriba" para volver a la pantalla Admin Mode (Modo de administración).
 - Para editar elementos de menú adicionales, repita los pasos adecuados de este procedimiento.

Eliminar elementos de menú/categorías

1. Luego de tocar DELETE (Eliminar) en la pantalla Recipe Development (Desarrollo de recetas), aparecerá la pantalla Delete Recipe/Category (Eliminar receta/categoría). Esta pantalla se parece a la pantalla Main Recipes (Recetas principales).
2. Toque el elemento de menú o categoría deseada para eliminar. Aparecerá la ventana "Delete This Entry?" (¿Desea eliminar esta entrada?).

- Toque YES (Sí) para eliminar el elemento de menú o la categoría. Volverá a aparecer la pantalla Recipe Development (Desarrollo de recetas).
- Toque NO (No) para volver a la pantalla Recipe Development (Desarrollo de recetas) sin eliminar.

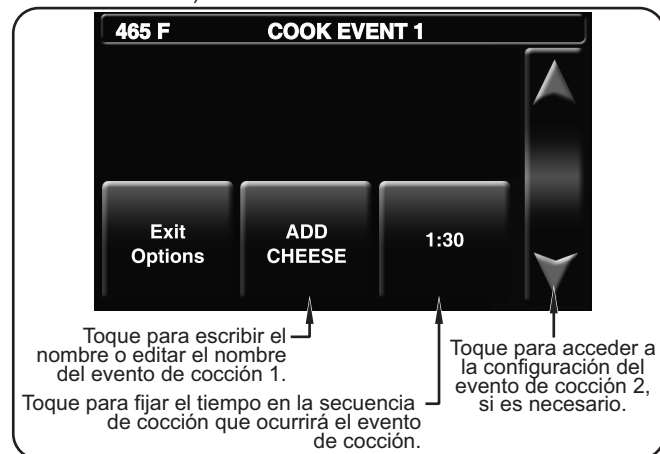


3. Cuando finalice la eliminación, toque la flecha "hacia arriba" para volver a la pantalla Admin Mode (Modo de administración).

Programación de un evento de cocción

Un evento de cocción es una característica que se puede programar en los elementos de menú que permite que se realice una acción en un alimento durante una secuencia de cocción (ejemplo: ADD CHEESE [agregar queso]). Un evento de cocción detiene durante un lapso una secuencia de cocción en progreso y señala al conjunto deslizante que mueva el alimento fuera de la cámara del horno. Luego de que se realiza la acción en el alimento, el conjunto deslizante mueve los alimentos dentro de la cámara del horno y se reanuda la secuencia de cocción. Se pueden programar hasta dos eventos de cocción en un elemento de menú. Siga el procedimiento a continuación para programar un evento de cocción.

1. Siga el procedimiento para crear o editar un elemento de menú descrito anteriormente en esta sección.
2. Luego de programar la configuración para la cantidad de etapas deseadas en la pantalla New Recipe Settings/Edit Recipe Settings (Configuración de nueva receta/Editar configuración de receta), toque la flecha "hacia abajo" para pasar las etapas hasta la pantalla Cook Event 1 (Evento de cocción 1).



Cook Event 1 (Evento de cocción 1)

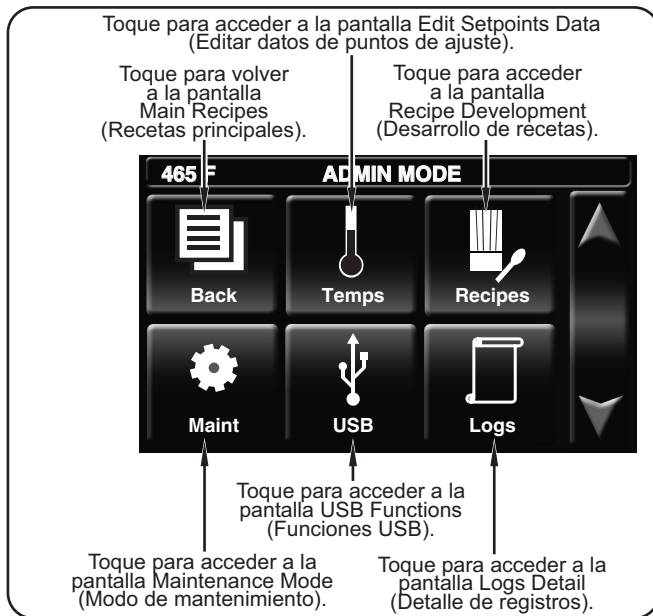
3. Toque el cuadro central en la pantalla Cook Event (Evento de cocción) para escribir el nombre del evento de cocción mediante el teclado que aparece y luego toque ENTER (Intro).
4. Toque el cuadro al lado derecho de la pantalla Cook Event (Evento de cocción) para fijar el tiempo en la secuencia de cocción en que debe ocurrir el evento de cocción. Ingrese el valor deseado mediante el teclado y luego toque ENTER (Intro).
5. Si se requiere un segundo evento de cocción, toque la flecha "hacia abajo" para acceder a la pantalla Cook Event 2 (Evento de cocción 2) y repita los pasos 3 y 4.

6. Cuando finalice la programación, toque EXIT OPTIONS (Salir de opciones).
 - a. Aparecerá la pantalla Recipe Dev Exit Options (Opciones de salida de desarrollo de recetas).
 - b. Toque la opción deseada: EXIT AND SAVE (Guardar y salir), EXIT (Salir) (sin guardar), CONTINUE EDITING (Continuar editando) o TEST COOK (Cocción de prueba).
 - Si toca alguna de las opciones "EXIT" (Salir), aparecerá la pantalla Recipe Development (Desarrollo de recetas). Si ya ha finalizado toda la programación, toque la flecha "hacia arriba" para volver a la pantalla Admin Mode (Modo de administración).
 - Para programar elementos de menú adicionales, repita los pasos adecuados de este procedimiento.

Edición de las temperaturas de punto de ajuste

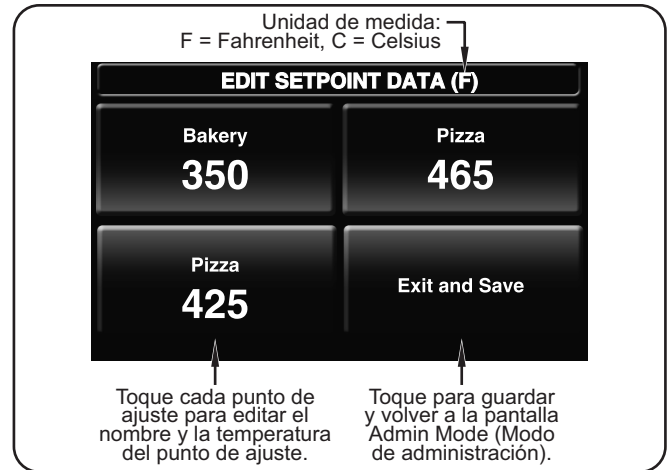
Utilice el siguiente procedimiento para editar o crear las temperaturas del punto de ajuste disponibles en el arranque. Este procedimiento requiere acceso a pantallas protegidas por contraseña y solo debe llevarlo a cabo personal autorizado.

1. En la pantalla Main Recipes (Recetas principales), toque la flecha hacia "arriba".
 - Aparecerá un teclado para ingresar la contraseña en la pantalla táctil.
2. Ingrese la contraseña mediante el teclado y toque ENTER (Intro).
 - Aparecerá la pantalla Admin Mode (Modo de administración) en la pantalla táctil.



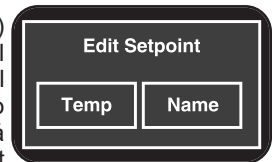
Pantalla Admin Mode (Modo de administración)

3. Toque TEMPS (Temperatura) para acceder a la pantalla Edit Setpoint Data (Editar datos de puntos de ajuste).
 - El horno puede almacenar hasta tres temperaturas de punto de ajuste.



Edit Setpoint Data (Editar datos de puntos de ajuste)

4. Toque el punto de ajuste deseado para la edición. Aparecerá la ventana "Edit Setpoint" (Editar punto de ajuste).
 - Toque TEMPS (Temperatura) para editar la temperatura del punto de ajuste mediante el teclado que aparece y luego toque ENTER (Intro). Volverá a aparecer la pantalla Edit Setpoint Data (Editar datos de puntos de ajuste).
 - Toque NAME (Nombre) para editar el nombre del punto de ajuste mediante el teclado que aparece y luego toque ENTER (Intro). Volverá a aparecer la pantalla Edit Setpoint Data (Editar datos de puntos de ajuste).
5. Repita el paso 4 para editar o crear otra temperatura de punto de ajuste.
6. Cuando estén listos los cambios en la temperatura del punto de ajuste, Toque EXIT AND SAVE (Guardar y salir) para volver a la pantalla Admin Mode (Modo de administración).
 - Si ha finalizado la programación, toque BACK (Atrás) para volver a la pantalla Main Recipes (Recetas principales).

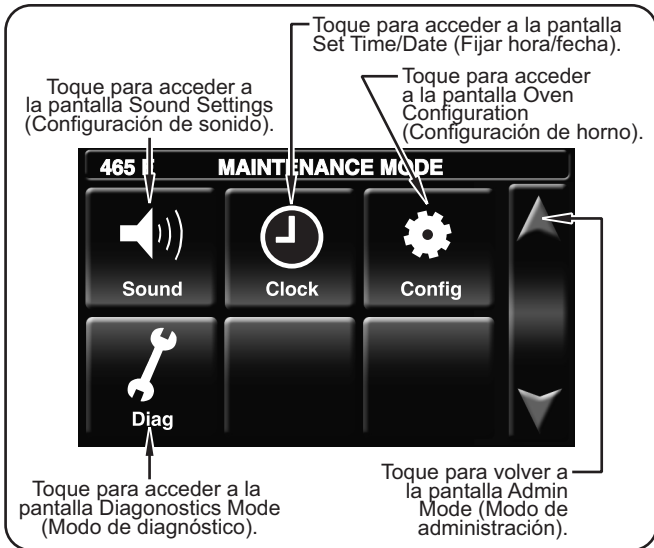


Cambio de la unidad de medida de temperatura

Realice el siguiente procedimiento para cambiar la unidad de medida de temperatura entre grados Fahrenheit y Celsius. Este procedimiento requiere acceso a pantallas protegidas por contraseña y solo debe llevarlo a cabo personal autorizado.

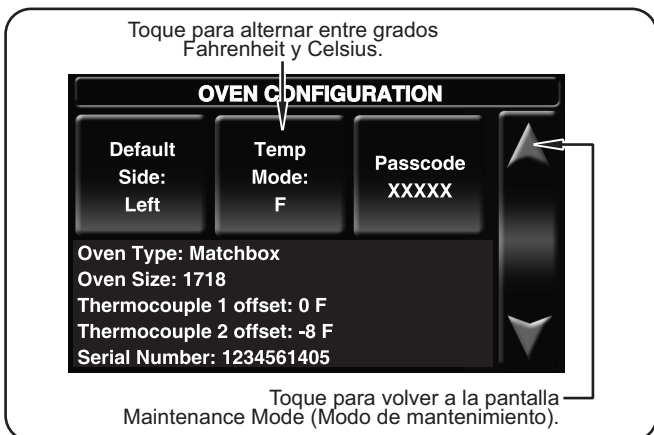
1. En la pantalla Main Recipes (Recetas principales), toque la flecha hacia "arriba".
 - Aparecerá un teclado para ingresar la contraseña en la pantalla táctil.
2. Ingrese la contraseña mediante el teclado y toque ENTER (Intro).
 - Aparecerá la pantalla Admin Mode (Modo de administración) en la pantalla táctil.
3. Toque MAINT (Mantenimiento) para acceder a la pantalla Maintenance Mode (Modo de mantenimiento).

continuación...



Maintenance Mode (Modo de diagnóstico)

4. Toque CONFIG (Configuración) en la pantalla Maintenance Mode (Modo de mantenimiento). Aparecerá la pantalla Oven Configuration (Configuración de horno).
5. Toque TEMP MODE (Modo de temperatura) en la pantalla Oven Configuration (Configuración de horno) para alternar la unidad de medida entre grados Fahrenheit y Celsius.



Oven Configuration (Configuración de horno)

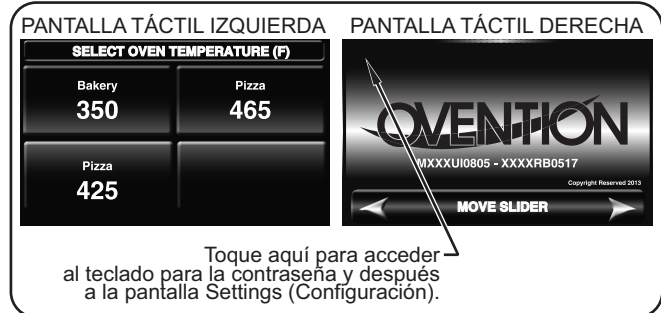
Carga desde una unidad USB

Utilice el siguiente procedimiento para cargar elementos de menú programados previamente o actualizaciones del firmware desde una unidad USB externa. Este procedimiento requiere acceso a pantallas protegidas por contraseña y solo debe llevarlo a cabo personal autorizado durante el arranque del horno.

NOTA: La unidad USB debe tener una capacidad de 4 GB o menos.

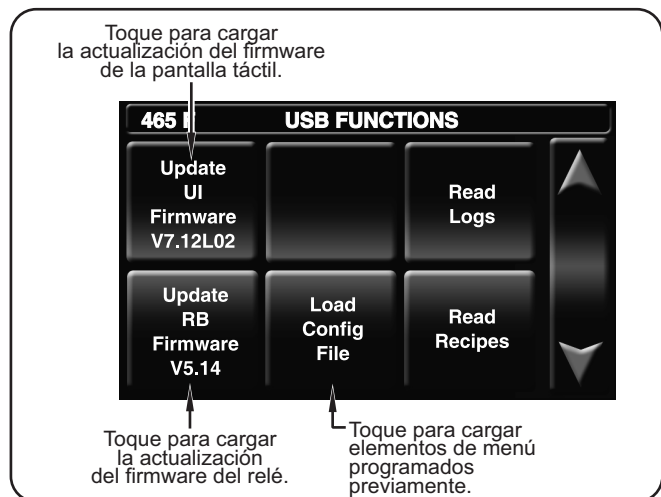
1. Mueva el interruptor de espera hasta la posición "On" (Encendido).
 - Se encenderán las pantallas táctiles. Una pantalla táctil muestra las temperaturas de punto de ajuste disponibles. La otra muestra el nombre del horno y la versión actual del software.
2. Retire la cubierta del puerto USB arriba del interruptor de espera e inserte la unidad USB en el puerto.

3. Toque la esquina superior izquierda de la pantalla táctil derecha.
 - Aparecerá un teclado para ingresar la contraseña en la pantalla táctil.



Pantallas Startup (Arranque)

4. Ingrese la contraseña mediante el teclado y toque ENTER (Intro).
 - Aparecerá la pantalla Admin Mode (Modo de administración) en la pantalla táctil.
5. Toque USB (USB) para acceder a la pantalla USB Functions (Funciones USB).



USB Functions (Funciones USB)

6. Toque la función deseada para comenzar la carga correspondiente.
 - Seleccione el archivo de carga de la lista que aparece.
 - Aparecerá una pantalla que indica que la carga está en curso.
 - Cuando finalice la carga, el horno se reiniciará.
7. Cuando vuelva a aparecer la pantalla de arranque, retire la unidad USB del puerto USB y vuelva a colocar la cubierta del puerto.
8. Realice el procedimiento de "Arranque" normal que se explicó en el inicio de esta sección para utilizar el horno.

Generalidades

Los hornos Matchbox® de Ovention® están diseñados para ofrecer durabilidad y desempeño máximos con un mantenimiento mínimo.

ADVERTENCIA

PELIGRO DE DESCARGA ELÉCTRICA:

- Apague el interruptor de espera, permita que la unidad se enfríe y desconecte la unidad/apague el interruptor de desconexión principal antes de realizar la limpieza, los ajustes o el mantenimiento.
- NO sumerja ni sature la unidad con agua. La unidad no es impermeable. No opere la unidad si ésta se sumergió o saturó con agua.
- No limpie con vapor ni use agua en exceso en la unidad.
- Esta unidad no tiene una construcción “a prueba de chorros”. No use un pulverizador de limpieza a chorro para limpiar la unidad.
- No limpie la unidad cuando esté energizada o caliente.
- No limpie la unidad con esponjas abrasivas. Las piezas metálicas pueden romper la esponja y entrar en contacto con los componentes eléctricos, creando un riesgo de descarga eléctrica.
- Sólo personal calificado debe realizar mantenimiento en esta unidad. El mantenimiento por parte de personal que no esté calificado puede causar descargas eléctricas o quemaduras.
- Use sólo repuestos Hatco originales cuando se necesite realizar mantenimiento. En caso de no utilizarse repuestos Hatco originales, se anularán todas las garantías y se puede someter a los operadores del equipo a voltajes eléctricos peligrosos, dando como resultado descargas eléctricas o quemaduras. Los repuestos Hatco originales están especificados para operar en forma segura en los entornos en los que se usan. Los repuestos de mercado secundario o genéricos no cuentan con las características que les permiten operar en forma segura en los equipos Hatco.

Esta unidad no posee piezas que “el usuario pueda reparar”. Si se requiere mantenimiento para la unidad, comuníquese con un agente de servicio de Ovention autorizado o llame a la línea directa de Ovention al 855-298-6836.

ATENCIÓN

No traslade ni reubique la unidad para la limpieza. La unidad es voluminosa y pesada.

Nunca utilice esponjas de acero, cepillos de cerdas ni espátulas para limpiar la unidad.

La limpieza incorrecta del horno puede dañar el catalizador y anular la garantía de la unidad.

Utilice guantes de goma protectores y gafas protectoras cuando limpie la unidad.

NOTA IMPORTANTE:

El uso de productos químicos para limpieza no aprobados por Ovention cuando limpie la cámara del horno puede anular la garantía.

Limpieza diaria

Para mantener el rendimiento y conservar el acabado del horno Matchbox de Ovention, limpie la unidad diariamente.

ATENCIÓN

No apague el interruptor de desconexión principal ni desconecte la unidad inmediatamente después del uso. Los ventiladores internos deben enfriar el horno para evitar daños en los componentes eléctricos.

AVISO

Utilice únicamente paños y productos de limpieza no abrasivos. Los paños o productos de limpieza abrasivos podrían rayar el acabado de la unidad, lo que podría deteriorar su apariencia y hacerla susceptible de acumular suciedad.

1. Apague el interruptor de espera y deje que la unidad se enfríe. Los ventiladores de refrigeración funcionarán hasta que la temperatura de la cámara del horno descienda hasta los 60°C (140°F).
2. Una vez que se apaguen los ventiladores, desconecte la unidad del suministro eléctrico:
 - Para el Modelo M1313, desenchufe el cable de alimentación.
 - Para el Modelo M1718, mueva el interruptor de desconexión principal hasta la posición OFF (O) (Apagado).
3. Retire y deseche los alimentos restantes.
4. Retire y limpie todas las estanterías de cocción utilizando un paño húmedo no abrasivo o una esponja de nylon (puede utilizar un limpiador no abrasivo para las manchas más difíciles).
5. Retire los derrames utilizando una toalla de papel húmeda o un paño no abrasivo.
6. Retire y limpie todas las bandejas recogemigas.
 - Cepille las bandejas dentro de un contenedor de residuos.
 - Limpie la bandeja utilizando una toalla de papel húmeda.
7. Vuelva a colocar la bandeja recogemigas (consulte la sección OPERACIÓN para obtener detalles).
8. Limpie todas las superficies exteriores utilizando un paño húmedo no abrasivo (puede utilizar un limpiador no abrasivo para las manchas más difíciles).
9. Limpie y seque todas las superficies utilizando un paño seco no abrasivo.
10. Pule las superficies exteriores del horno utilizando un limpiador para acero inoxidable de alta calidad.

Limpieza semanal

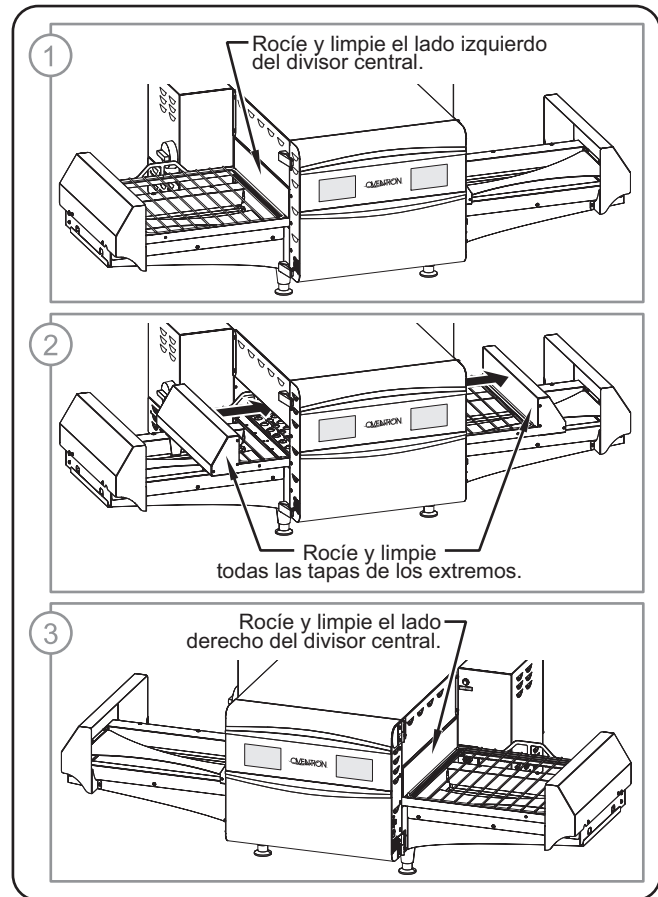
1. Apague el interruptor de espera y deje que la unidad se enfríe. Los ventiladores de refrigeración funcionarán hasta que la temperatura de la cámara del horno descienda hasta los 60°C (140°F).
2. Una vez que se apaguen los ventiladores, desconecte la unidad del suministro eléctrico:
 - Para el Modelo M1313, desenchufe el cable de alimentación.
 - Para el Modelo M1718, mueva el interruptor de desconexión principal hasta la posición OFF (O) (Apagado).

NOTA: Para acceder a todos los lados de las tapas de los extremos y del divisor central, el conjunto deslizante debe moverse manualmente durante este procedimiento. Consulte la ilustración "Limpieza del conjunto deslizante" en este procedimiento para obtener detalles.

3. Rocíe con limpiador para hornos Chemco Dirt Buster III con cuidado en todos los lados de las dos tapas de los extremos y del divisor central en el conjunto deslizante (vea la ilustración).

NOTA: No rocíe el limpiador directamente en la apertura del ventilador en la parte trasera interna de la cámara del horno.

4. Utilizando una esponja de nylon no abrasiva, limpie las dos tapas de los extremos y del divisor central en el conjunto deslizante. Limpie también cualquier otra área visible afectada por la grasa de la cocción.
5. Limpie todas las superficies utilizando un paño húmedo no abrasivo.
6. Limpie y seque todas las superficies utilizando un paño seco no abrasivo.
7. Realice el procedimiento "Limpieza diaria" de esta sección.



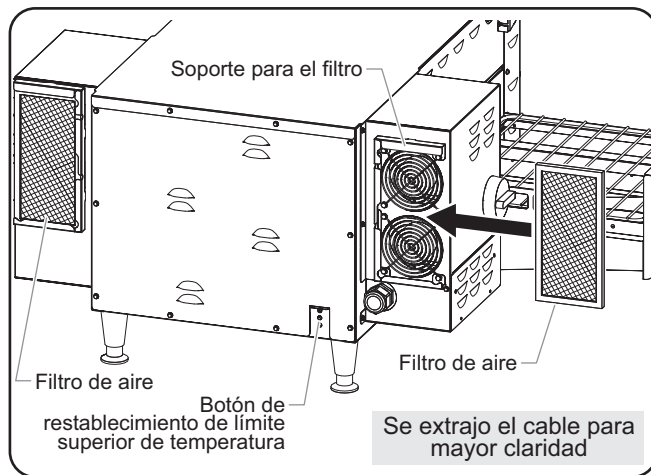
Limpieza del conjunto deslizante

Limpieza mensual

1. Apague el interruptor de espera y deje que la unidad se enfríe. Los ventiladores de refrigeración funcionarán hasta que la temperatura de la cámara del horno descienda hasta los 60°C (140°F).
2. Una vez que se apaguen los ventiladores, desconecte la unidad del suministro eléctrico:
 - Para el Modelo M1313, desenchufe el cable de alimentación.
 - Para el Modelo M1718, mueva el interruptor de desconexión principal hasta la posición OFF (O) (Apagado).
3. Retire y limpie los dos filtros de aire en la parte trasera del horno. Para limpiar cada filtro:
 - a. Deslice el filtro fuera de la parte lateral del soporte para el filtro.
 - b. Rocíe el filtro con agua y/o lávelo con jabón y agua.
 - c. Enjuague y deje secar el filtro.
 - d. Cuando el filtro esté seco, vuelva a colocarlo en el soporte para el filtro.

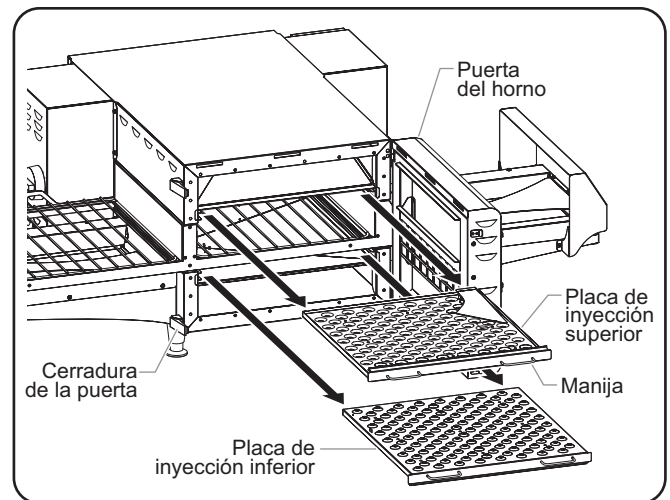
NOTA IMPORTANTE:

El uso de productos químicos para limpieza no aprobados por Oventon cuando limpie la cámara del horno puede anular la garantía.



Limpieza de los filtros de aire

4. Retire y limpie las placas de inyección superior e inferior dentro de la cámara del horno. Para limpiar las placas de inyección:
 - a. Desbloquee y abra la puerta del horno de manera que quede expuesta la parte interior de la cámara del horno.
 - b. Retire las placas de inyección superior e inferior. Retire las placas tirando de las manijas hacia fuera del horno.
 - c. Rocíe con limpiador para hornos Chemco Dirt Buster III en ambos lados de cada placa de inyección. Deje que el limpiador se asiente durante 3 a 5 minutos.
 - d. Utilizando una esponja de nylon no abrasiva, aplique presión para limpiar los residuos de grasa.
 - e. Limpie las placas de inyección utilizando un paño húmedo no abrasivo y deje secar. No vuelva a colocarlas en este momento.



Limpieza de las placas de inyección


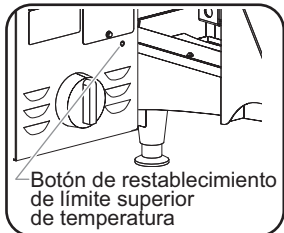
5. Limpie las áreas visibles de la cámara del horno utilizando el mismo procedimiento que para las placas de inyección (pasos "c" a "e" anteriores).
6. Vuelva a instalar las placas de inyección superior e inferior en la cámara del horno.
7. Cierre la puerta del horno y asegure ambas cerraduras de la puerta.
8. Realice el procedimiento "Limpieza semanal" de esta sección.

⚠ ADVERTENCIA

Sólo personal calificado debe realizar mantenimiento a la unidad. El mantenimiento realizado por personal no calificado puede causar descargas eléctricas o quemaduras.

⚠ ADVERTENCIA

PELIGRO DE DESCARGA ELÉCTRICA: Apague el interruptor de espera, permita que la unidad se enfríe y desconecte la unidad/apague el interruptor de desconexión principal antes de realizar la limpieza, los ajustes o el mantenimiento.

Síntoma	Causa Probable	Acción Correctiva
El horno no funciona (pantalla táctil en blanco).	El interruptor de espera está apagado, la desconexión principal está apagada (O) o la unidad está desconectada.	Asegúrese de que la unidad esté conectada, el interruptor de desconexión principal esté en la posición ON (I) (Encendido) (Modelo M1718 únicamente) y el interruptor de espera esté en la posición "On" (Encendido).
	La unidad está conectada a una alimentación incorrecta.	Consulte la sección ESPECIFICACIONES para ver las especificaciones eléctricas de la unidad. Comuníquese con un electricista calificado para determinar e instalar un receptáculo eléctrico del voltaje y tamaño correctos.
Movimiento deslizante irregular.	Afloje el tornillo y/o el soporte.	Verifique todos los tornillos del sistema deslizante. Ajuste los tornillos si es necesario.
	Mal funcionamiento del engranaje y/o del sistema deslizante.	Comuníquese con un agente de servicio autorizado o con la línea directa de Ovention® para recibir ayuda.
	El software instalado en el sistema operativo del horno es incorrecto.	Comuníquese con un agente de servicio autorizado o con la línea directa de Ovention para recibir ayuda.
Cocción incorrecta de los alimentos.	Temperatura del punto de ajuste deseada o selección del elemento de menú incorrecta.	Verifique la temperatura del punto de ajuste deseada y la selección del elemento de menú. Cambie a la configuración correcta si es necesario (consulte la sección OPERACIÓN).
	Mal funcionamiento de la placa de inyección o del caudal de aire.	Comuníquese con un agente de servicio autorizado o con la línea directa de Ovention para recibir ayuda.
Verifique que las luces indicadoras de los VENTILADORES estén prendidas (ubicadas en el lado delantero derecho de la cámara del horno). 	La temperatura ambiente supera los 35°C (95°F).	La luz iluminará en temperaturas ambiente superiores a 49°C (120°F). Verifique que la luz se apague una vez que la temperatura ambiente disminuya a 49°C (120°F) de manera consistente. Si no es así, consulte "Causas probables" más abajo.
	Los filtros de aire están sucios.	Verifique los filtros de aire y límpielos si es necesario. Consulte el procedimiento "Limpieza mensual" en la sección MANTENIMIENTO.
	Mal funcionamiento de los ventiladores de refrigeración.	Comuníquese con un agente de servicio autorizado o con la línea directa de Ovention para recibir ayuda.
El horno no calienta. 	Se atascó el interruptor de límite superior de temperatura.	Presione el botón de restablecimiento de límite superior de temperatura ubicado en la parte trasera izquierda de la cámara del horno cerca del interruptor de desconexión principal. Si el interruptor continúa activándose, comuníquese con un agente de servicio autorizado o con la línea directa de Ovention para obtener ayuda.

NOTA: Para encontrar un agente de servicio de Ovention autorizado, acceda al sitio web de Ovention en www.ventionovens.com y seleccione la pestaña Service & Support (Servicio y soporte), o llame a la línea directa de Ovention al 855-298-OVEN(6836).

Kits de apilamiento

Los kits de apilamiento están disponibles para apilar una unidad encima de la otra. La opción de apilamiento requiere la compra de una unidad adicional junto con el kit de apilamiento para asegurar la unidad superior a la unidad inferior. Instrucciones de instalación incluidas en el kit.

OVNTN-STK-1Kit de apilamiento, Modelo M1718 en M1718

M1313-STKKit de apilamiento, Modelo M1313 en M1313

M1313/M1718-STK ..Kit de apilamiento, Modelo M1313 en M1718

Bandejas, estanterías y otros utensilios

Se dispone de distintos tipos de bandejas, estanterías y utensilios para los hornos Matchbox®.

M1313-STTBandeja de teflón sólido, Modelo M1313

M1718-STTBandeja de teflón sólido, Modelo M1718

M1313-MTTBandeja de teflón de malla, Modelo M1313

M1718-MTTBandeja de teflón de malla, Modelo M1718

M1313-HDGParrilla para hot dogs de malla, Modelo M1313

M1718-HDGParrilla para hot dogs de malla, Modelo M1718

M1313-OSRK.....Estantería con desplazamiento, Modelo M1313

M1718-OSRK.....Estantería con desplazamiento, Modelo M1718

M1313-GRKEstantería con parrilla, Modelo M1313

M1718-GRKEstantería con parrilla, Modelo M1718

M1313-PRKEstantería para pizzas, Modelo M1313

M1718-PRKEstantería para pizzas, Modelo M1718

M1313-RCTPG.....Fuente con parrilla para pan de Viena rectangular, Modelo M1313

M1718-RCTPG.....Fuente con parrilla para pan de Viena rectangular, Modelo M1718

M1313-PGFuente con parrilla para pan de Viena redonda, Modelo M1313

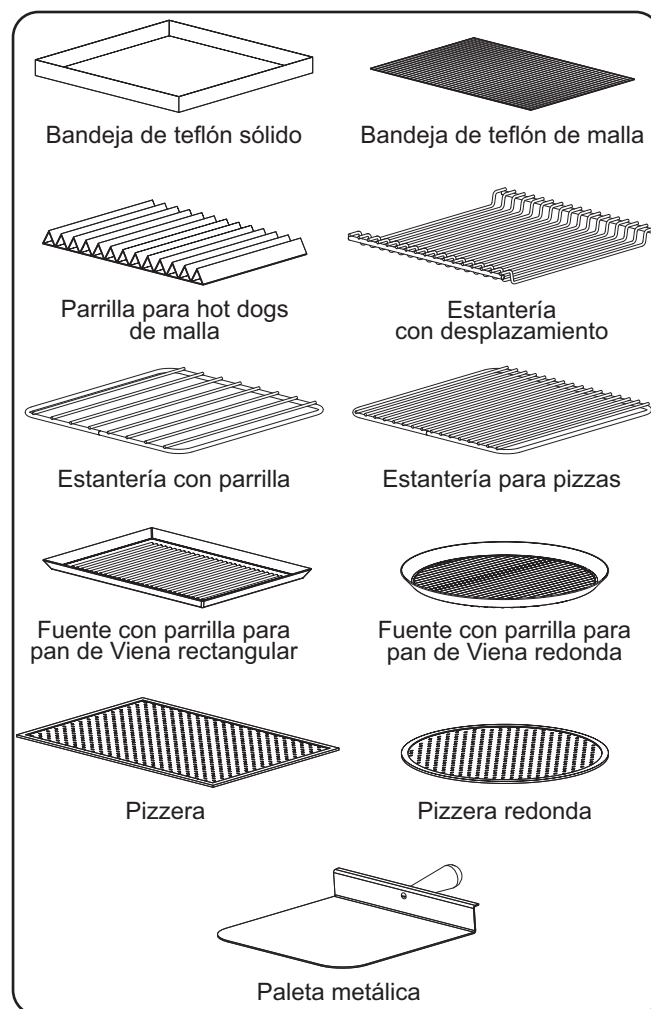
M1718-PGFuente con parrilla para pan de Viena redonda, Modelo M1718

OVNTN-PS11X16..Pizzera, 279 x 406 mm (11" x 16")

OVNTN-PS12.....Pizzera redonda, 305 mm (12")

OVNTN-PS16.....Pizzera redonda, 406 mm (16")

OVNTN-PDLPaleta metálica



Miscelánea

OVNTN-FILReemplazo del filtro de aire

OVNTN-CLNRLimpiador para hornos, caja de seis botellas

NOTA: Utilice limpiador para hornos para limpiar la grasa de cocción y los residuos de manera segura de las tapas de los extremos del sistema deslizante, las placas de inyección y la cámara del horno.

1. GARANTÍA DEL PRODUCTO

Ovention®, Inc. ("Ovention") garantiza que los productos que fabrica (los "Productos") están libres de defectos en materiales y mano de obra, bajo el uso y mantenimiento normales, durante un período de un (1) año a partir de la fecha de compra, siempre que se instale y mantenga según las instrucciones escritas de Ovention o durante 18 meses a partir de la fecha de envío por parte de Ovention. El comprador debe establecer la fecha de compra del producto con el representante de ventas de Ovention o mediante otros medios adecuados para Ovention a su mera discreción.

Ovention garantiza que los siguientes componentes de Productos estarán libres de defectos en materiales y mano de obra a partir de la fecha de compra (sujeto a las condiciones anteriores) durante ese período de tiempo y según las condiciones enumeradas a continuación:

- **Garantía de noventa (90) días solo para las piezas:**
Piezas de repuesto

LAS GARANTÍAS ANTERIORES SON EXCLUSIVAS Y REEMPLAZAN A CUALQUIER OTRA GARANTÍA, EXPRESA O IMPLÍCITA, INCLUIDAS, ENTRE OTRAS, CUALQUIER GARANTÍA IMPLÍCITA DE COMERCIALIZACIÓN O ADAPTACIÓN PARA UN PROPÓSITO EN PARTICULAR O PATENTE U OTRA VIOLACIÓN DE DERECHOS DE PROPIEDAD INTELECTUAL. Sin limitar la generalidad de lo anterior, DICHAS GARANTÍAS NO CUBREN: Daños en las pantallas táctiles debido al abuso o al impacto, elementos desgastados como los filtros de aire y las correas de la cinta transportadora, daños en el catalizador debido al uso de productos de limpieza no aprobados, abuso del producto, manipulación o aplicación incorrecta, instalación incorrecta, limpieza escasa o incorrecta o aplicación de voltaje incorrecto.

2. LIMITACIÓN DE SOLUCIONES Y DAÑOS

La responsabilidad de Ovention y la solución exclusiva del comprador a partir de aquí se limitan únicamente, a discreción de Ovention, a la reparación o reemplazo por parte de una agencia de servicio autorizado de Ovention (a excepción del caso en que el comprador esté ubicado fuera de Estados Unidos, Canadá, Reino Unido o Australia, en cuyo caso la responsabilidad de Ovention y la solución exclusiva del comprador a partir de aquí se limitan únicamente al reemplazo de las piezas bajo garantía) en relación a cualquier reclamo realizado dentro del período de garantía aceptable mencionado anteriormente. Ovention se reserva del derecho de aceptar o rechazar cualquier reclamo en forma total o parcial. Ovention no aceptará la devolución de ningún Producto sin aprobación previa por escrito por parte de Ovention, y todas las devoluciones aprobadas deben estar a cargo del comprador únicamente. OVENTION NO SERÁ RESPONSABLE, BAJO NINGUNA CIRCUNSTANCIA, POR DAÑOS CONSECUENTES O INCIDENTALES, INCLUIDOS, ENTRE OTROS, COSTOS DE MANO DE OBRA O PÉRDIDAS DE GANANCIAS POR EL USO O LA INCAPACIDAD DE USO DE ESTOS PRODUCTOS O POR LA INCORPORACIÓN DE LOS PRODUCTOS COMO COMPONENTES DE CUALQUIER OTRO PRODUCTO O MERCANCÍA.



Need help?
Call our 24 hour, toll-free
Ovention Hotline
855-298-OVEN(6836)



Besoin d'aide?
Appelez notre ligne
d'appel d'urgence gratuite
855-298-OVEN(6836)



¿Necesita ayuda?
Llame a la línea directa gratuita
de Ovention las 24 horas
855-298-OVEN(6836)

Ovention, Inc.
P.O. Box 340500
Milwaukee, WI 53234-0500 U.S.A.
855-298-OVEN(6836)
connect@oventionovens.com
partsandservice@oventionovens.com
www.oventionovens.com