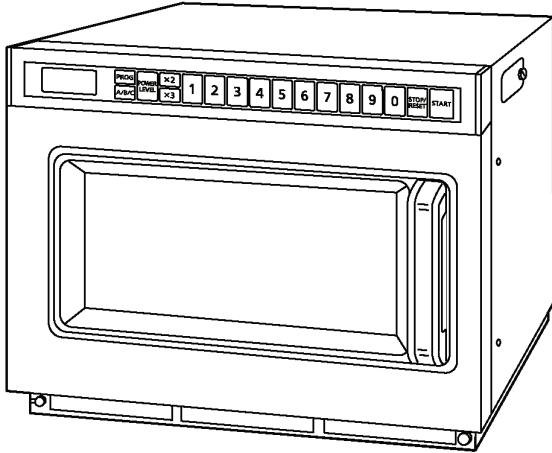


Service Manual

Commercial Microwave Oven



- Model No. **NE-1252**
- Model No. **NE-1752**
- Model No. **NE-1772**
- Model No. **NE-2152**
- Model No. **NE-12521**
- Model No. **NE-12523**
- Model No. **NE-17521**
- Model No. **NE-17523**
- Model No. **NE-17723**
- Model No. **NE-21521**
- Model No. **NE-21523**

WARNING

This service information is designed for experienced repair technicians only and is not designed for use by the general public. It does not contain warnings or cautions to advise non-technical individuals of potential dangers in attempting to service a product. Products powered by electricity should be serviced or repaired only by experienced professional technicians. Any attempt to service or repair the product or products dealt with in this service information by anyone else could result in serious injury or death.

IMPORTANT SAFETY NOTICE

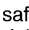
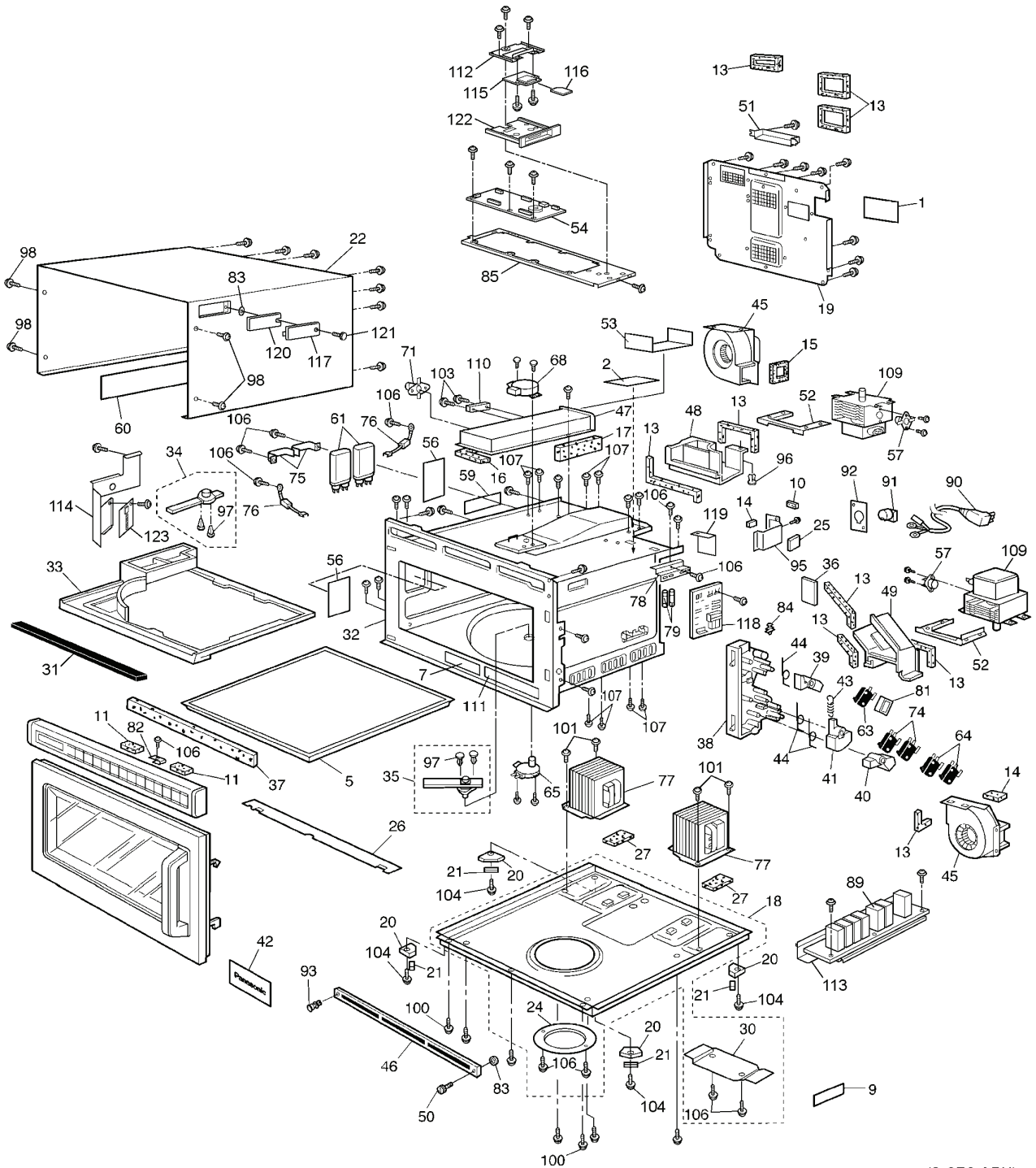
There are special components used in this equipment which are important for safety. These parts are marked by  in the Schematic Diagrams, Circuit Board Diagrams, Exploded Views and Replacement Parts List. It is essential that these critical parts should be replaced with manufacturer's specified parts to prevent shock, fire or other hazards. Do not modify the original design without permission of manufacturer.

TABLE OF CONTENTS

	PAGE		PAGE
1 Safety Precautions	2	8 Troubleshooting Guide	14
2 Specifications	3	9 Disassembly and Assembly Instructions	17
3 Technical Descriptions	4	10 Measurements and Adjustments	22
4 Location of Controls and Components	5	11 Schematic Diagram	25
5 Installation Instructions	6	12 Exploded View and Replacement Parts List	29
6 Operating Instructions	7		
7 Test Mode	12		

12 Exploded View and Replacement Parts List

12.1. Exploded view and parts list



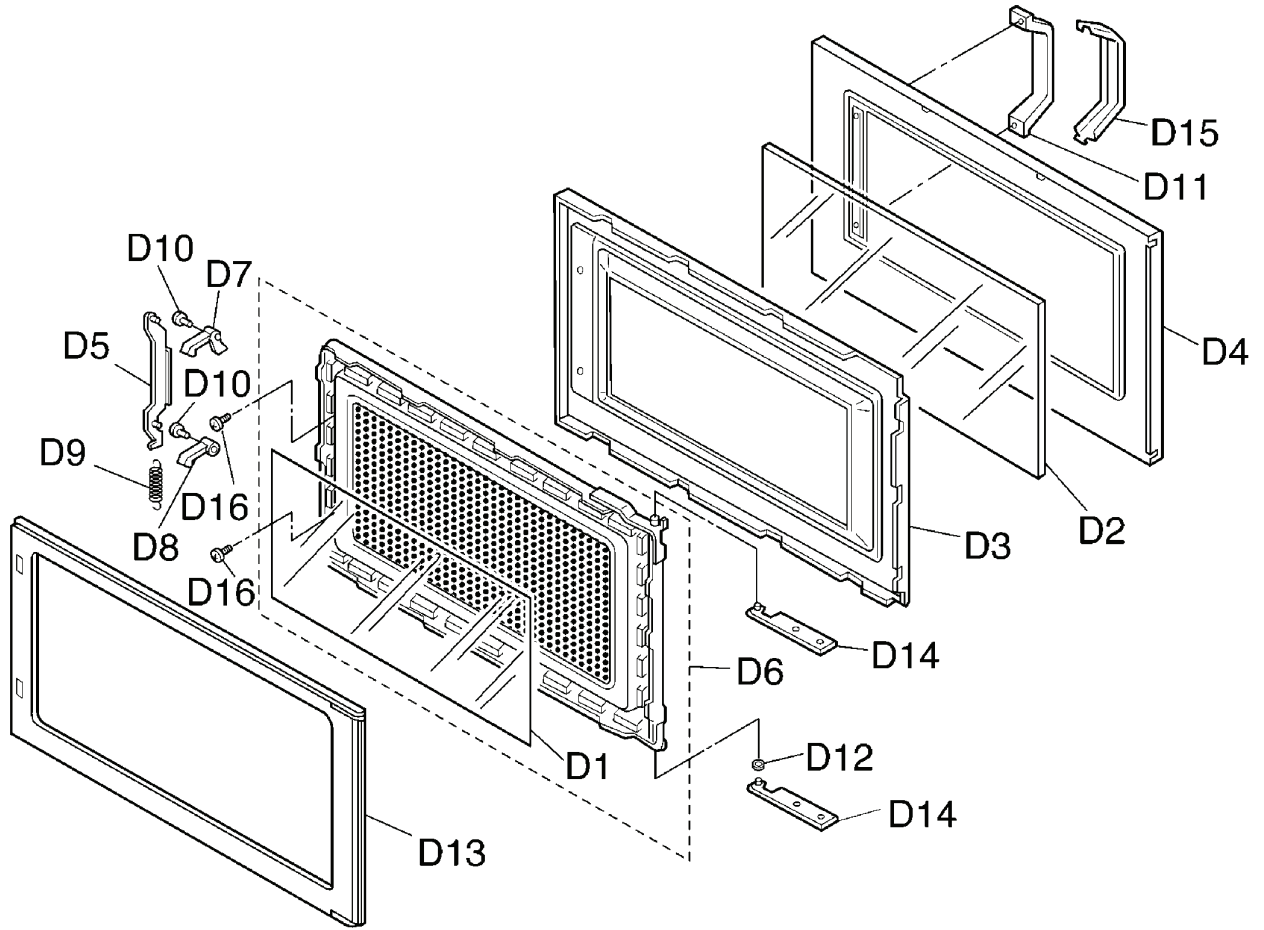
(S-3E8-APH)

Safety	Ref. No.	Part No.	Part Name & Description	Pcs/set	Remarks
	1	ANE00068U0CP	WARNING LABEL	1	NE-1252CPH,NE-1752CPR,NE-1772CPR ,NE-2152CPR
	1	A00063E80AP	WARNING LABEL	1	NE-12521APH,NE-12523APH,NE-17521APR,NE-17523APR,NE-17723APR,NE-21521APR,NE-21523APR
	2	A00333E80AP	FUSE LABEL	1	
	5	ANE010T8U0AP	SHELF	1	
	7	ANE01728U0CP	CAUTION LABEL	1	
△	9	A05243F00AP	NAME LABEL	1	NE-12521APH
△	9	A05243F40AP	NAME LABEL	1	NE-12523APH
△	9	A05243E80AP	NAME LABEL	1	NE-17521APR
△	9	A05243F30AP	NAME LABEL	1	NE-17523APR
△	9	A05243E90AP	NAME LABEL	1	NE-17723APR
△	9	A05243E60AP	NAME LABEL	1	NE-21521APR
△	9	A05243F20AP	NAME LABEL	1	NE-21523APR
	10	ANE0901000CD	CUSHION RUBBER A	1	
	11	ANE000Z000AD	CUSHION RUBBER A	5	
	13	ANE000Z000AA	CUSHION RUBBER C	10	
	14	ANE000Z000AD	CUSHION RUBBER C	4	
	15	ANE000Z000AB	CUSHION RUBBER C	1	
	16	ANE0962000AP	CUSHION RUBBER D	1	
	17	ANE0962000AV	CUSHION RUBBER D	6	
	18	A100A-3280	BASE	1	
	19	A100Q3E80AP	BACK PANEL	1	
	20	A1007-3280	FOOT	4	
	21	A1008-3280	RUBBER FOOT	4	
	22	A10093E80AP	CABINET BODY	1	NE-12521APH,NE-12523APH,NE-1252CPH,NE-17521APR,NE-17523APR,NE-1752CPR,NE-21521APR,NE-21523APR,NE-2152CPR
	22	A10093E90AP	CABINET BODY	1	NE-17723APR,NE-1772CPR
	24	ANE10288U0AP	ANTENNA MOTOR COVER	1	
	25	ANE10498U0AP	CUSHION RUBBER	1	
	26	ANE11268U0AP	BASE BRACKET	1	
	27	A10623E80AP	CUSHION RUBBER B	2	
	30	ANE11668U0AP	BASE METAL	1	
	31	ANE11748U0AP	SPACER	1	
△	32	A200A-3850	OVEN	1	
△	33	A2011-3470	CEILING PLATE	1	
	34	A202K-3850	ANTENNA	1	(UPPER)
	35	A202V3310GP	ANTENNA B	1	(LOWER) NE-12521APH,NE-12523APH,NE-1252CPH,NE-17521APR,NE-17523APR,NE-1752CPR,NE-17723APR,NE-1772CPR
	35	A202V-3850	ANTENNA B	1	(LOWER) NE-21521APR,NE-21523APR,NE-2152CPR
	36	ANE21208U0AP	SPACER	1	
	37	A8251-3180	SPACER	1	
△	38	A3020-3850	DOOR HOOK A	1	
△	39	A3136-3470	HOOK SPACER A	1	
△	40	A3137-3850	HOOK SPACER B	1	
△	41	A3138-3470	HOOK SPACER C	1	
	42	A31863F00AP	DOOR PANEL	1	NE-12521APH
	42	A31863F40AP	DOOR PANEL	1	NE-12523APH
	42	A31863F00CP	DOOR PANEL	1	NE-1252CPH
	42	A31863E80AP	DOOR PANEL	1	NE-17521APR
	42	A31863F30AP	DOOR PANEL	1	NE-17523APR
	42	A31863E80CP	DOOR PANEL	1	NE-1752CPR
	42	A31863E90AP	DOOR PANEL	1	NE-17723APR
	42	A31863E90CP	DOOR PANEL	1	NE-1772CPR
	42	A31863E60AP	DOOR PANEL	1	NE-21521APR
	42	A31863F20AP	DOOR PANEL	1	NE-21523APR
	42	A31863E60CP	DOOR PANEL	1	NE-2152CPR
	43	ANE32398U0AP	SPRING	1	
	44	ANE32628U0AP	SPRING	3	
	45	A400A3F00AP	FAN MOTOR	2	NE-12521APH,NE-12523APH,NE-1252CPH
	45	A400A3E80AP	FAN MOTOR	2	NE-17521APR,NE-17523APR,NE-1752CPR,NE-17723APR,NE-1772CPR, NE-21521APR,NE-21523APR,NE-2152CPR
	46	A400B-3280	AIR FILTER FLAME	1	
	47	A4024-3180	EXHAUST GUIDE A	1	
	48	ANE40258U0AP	AIR GUIDE A	1	
	49	ANE40268U0AP	AIR GUIDE B	1	
	50	A4091-3290	SCREW	1	FOR AIR FILTER FLAME
	51	A41073980AP	EXHAUST GUIDE B	1	
	52	ANE50328U0AP	MAGNETRON BRACKET	2	
	53	A50493E80CP	FIRE BARRIER	1	NE-1252CPH, NE-1752CPR,NE-1772CPR,NE-2152CPR

Safety	Ref. No.	Part No.	Part Name & Description	Pcs/set	Remarks
	54	A603L3E80AP	D.P.CIRCUIT (U)	1	NE-17521APR,NE-17523APR,NE-1752CPR
	54	A603L3E90AP	D.P.CIRCUIT (U)	1	NE-17723APR,NE-1772CPR
	54	A603L3F00AP	D.P.CIRCUIT (U)	1	NE-12521APH,NE-12523APH,NE-1252CPH
	54	A603L3E60AP	D.P.CIRCUIT (U)	1	NE-21521APR,NE-21523APR,NE-2152CPR
	56	ANE60408U0AP	OVEN LAMP SHEET	2	
△	57	ANE61458U0AP	THERMAL CUTOUT	2	150 °C 10A, MAGNETRON
	59	ANE60708U0BP	INSULATION SHEET A	1	
	60	A60713310BP	INSULATION SHEET B	1	
△	61	A63903F00AP	H.V.CAPACITOR	2	NE-12521APH,NE-12523APH,NE-1252CPH
△	61	A63903E80AP	H.V.CAPACITOR	2	NE-17521APR,NE-17523APR,NE-1752CPR,NE-17723APR,NE-1772CPR
△	61	A63903E60AP	H.V.CAPACITOR	2	NE-21521APR,NE-21523APR,NE-2152CPR
△	63	ANE6142-F60	MICROSWITCH	1	(V-15G-3C26) PRIMARY LATCH SWITCH
△	64	ANE61424L0AG	MICROSWITCH	2	(V-16G-3C26) SECONDARY LATCH SWITCH
	65	A6144-3E20	ANTENNA MOTOR	1	(LOWER) (2.5W)
	68	A6144-3E10	ANTENNA MOTOR	1	(UPPER) (2.5W)
△	71	A61454050AP	THERMAL CUTOUT	1	105 °C 15A, EXHAUST GUIDE
△	74	ANE61784L0AG	MICRO SWITCH	2	(V-16G-2C25) SHORT SWITCH
	75	ANE61888U0AP	CAPACITOR BRACKET	2	
△	76	A62024000AP	DIODE SI	2	NE-12521APH,NE-12523APH,NE-1252CPH,NE-17521APR,NE-17523APR,NE-1752CPR,NE-17723APR,NE-1772CPR
△	76	A6202-3280	DIODE SI	2	NE-21521APR,NE-21523APR,NE-2152CPR
△	77	A621B3F00AP	H.V.TRANSFORMER	2	NE-12521APH,NE-12523APH,NE-1252CPH
△	77	A621B3E80AP	H.V.TRANSFORMER	2	NE-17521APR,NE-17523APR,NE-1752CPR,NE-17723APR,NE-1772CPR
△	77	A621B3E60AP	H.V.TRANSFORMER	2	NE-21521APR,NE-21523APR,NE-2152CPR
	78	ANE62298U0AP	MOUNTING BRACKET	1	
△	79	A62303A60AP	FUSE	2	(15A)
	81	A62383230GP	SPACER	1	
	82	ANE64086Q0AP	WASHER	1	
	83	A6408-3280	WASHER	2	
	84	ANE65448U0AP	SPACER A	1	
	85	A6585-3B10	P.C.B.HOLDER	1	
△	89	A608B3E60AP	PCB M(U)	1	FOR POWER RELAYS
△	90	A900C3E80AP	AC CORD W/PLUG	1	NE-17521APR,NE-17523APR,NE-1752CPR,NE-17723APR,NE-1772CPR
△	90	A900C3F00AP	AC CORD W/PLUG	1	NE-12521APH,NE-12523APH,NE-1252CPH
△	90	A900C3E60AP	AC CORD W/PLUG	1	NE-21521APR,NE-21523APR,NE-2152CPR
	91	ANE902751ORN	CORD BUSHING	1	
	92	ANE9035P60AP	CORD BRACKET	1	
	93	ANE9035P60AP	CLIP (BLACK)	1	
	95	ANE91448U0AP	BRACKET	1	
	96	ANE91628U0AP	CLIP B	1	
	97	ANE91658V0AP	CLIP	4	
	98	XTC4+10BC	SCREW	4	(4X10) FOR CABINET BODY
	100	XTC4+12BKJ	SCREW (BLACK)	2	(4X12) FOR BASE
	101	XTEA5+10BJ	SCREW	4	(5X10) FOR H.V. TRANSFORMER
	103	XTWANE3+8EX	SCREW	2	(3X8) FOR TEMP SENSOR
	104	XTW3+8BJ	SCREW	4	(3X8) FOR FOOT
	106	XYD4+EE12FJ	SCREW	11	(4X12) FOR DIODE, CAPACITOR BRACKET, AC CORD, MOTOR COVER, BASE METAL ETC..
	107	XYEA5+C16TJ	SCREW	8	(5X16) FOR MAGNETRON
△	109	2M210-M1K1	MAGNETRON	2	NE-12521APH,12523APH,17521APR,NE-17523APR,NE-17723APR
△	109	2M210-M1J1	MAGNETRON	2	NE-1252CPH, NE-1752CPR,NE-1772CPR
△	109	2M261-M1J1Y	MAGNETRON	2	NE-21521APR,21523APR,2152CPR
△	110	A601L5150AP	TEMP SENSOR	1	
	111	ANE0245X00AP	DHHS LABEL	1	NE-12521APH,NE-12523APH,NE-17521APR,NE-17523APR,NE-17723APR,NE-21521APR,NE-21523APR,NE-2152CPR,NE-1772CPR,NE-2152CPR
	111	A04115020CQ	CSA LABEL	1	NE-1252CPH,NE-1752CPR,NE-1772CPR,NE-2152CPR
	112	A8032-3D00	SD BRACKET	1	NE-1772CPR,NE-17723APR
	113	A692R3F00AP	RELAY BRACKET U	1	NE-12521APH,NE-12523APH,NE-1252CPH
	113	A692R3E60AP	RELAY BRACKET U	1	NE-17521APR,NE-17523APR,NE-1752CPR,NE-17723APR,NE-1772CPR,NE-21521APR,NE-21523APR,NE-2152CPR
	114	A6603-3E10	LAMP BRACKET	1	FOR LED LIGHT PCB
	115	A605Q-3E40	PCB F(U)	1	NE-17723APR,NE-1772CPR
	116	RP-SDS128CS9	SD CARD	1	NE-17723APR,NE-1772CPR
	117	A1026-3290	COVER	1	FOR SD SLOT, NE-17723APR,NE-1772CPR
△	118	A603Y3E60AP	PCB D(U)	1	NE-17521APR,NE-17523APR,NE-21521APR,NE-21523APR,
△	118	A603Y3E60CP	PCB D(U)	1	NE-1752CPR,NE-17723APR,NE-1772CPR,NE-2152CPR
△	118	A603Y3F00AP	PCB D(U)	1	NE-12521APH,NE-12523APH,

Safety	Ref. No.	Part No.	Part Name & Description	Pcs/set	Remarks
△	118	A603Y3F00CP	PCB D(U)	1	NE-1252CPH
	119	A61713A80BP	INSULATION SHEET D	1	
	120	A1221-3290	CUSHION RUBBER	1	FOR SD SLOT, NE-17723APR,NE-1772CPR
	121	A4898-3B40	SCREW	1	FOR SD SLOT COVER, NE-17723APR,NE-1772CPR
	122	A8357-3D00	ESCUTCHEON	1	FOR SD UNIT, NE-17723APR,NE-1772CPR
	123	A605S3E60AP	PCB H(U)	1	FOR LED LIGHT

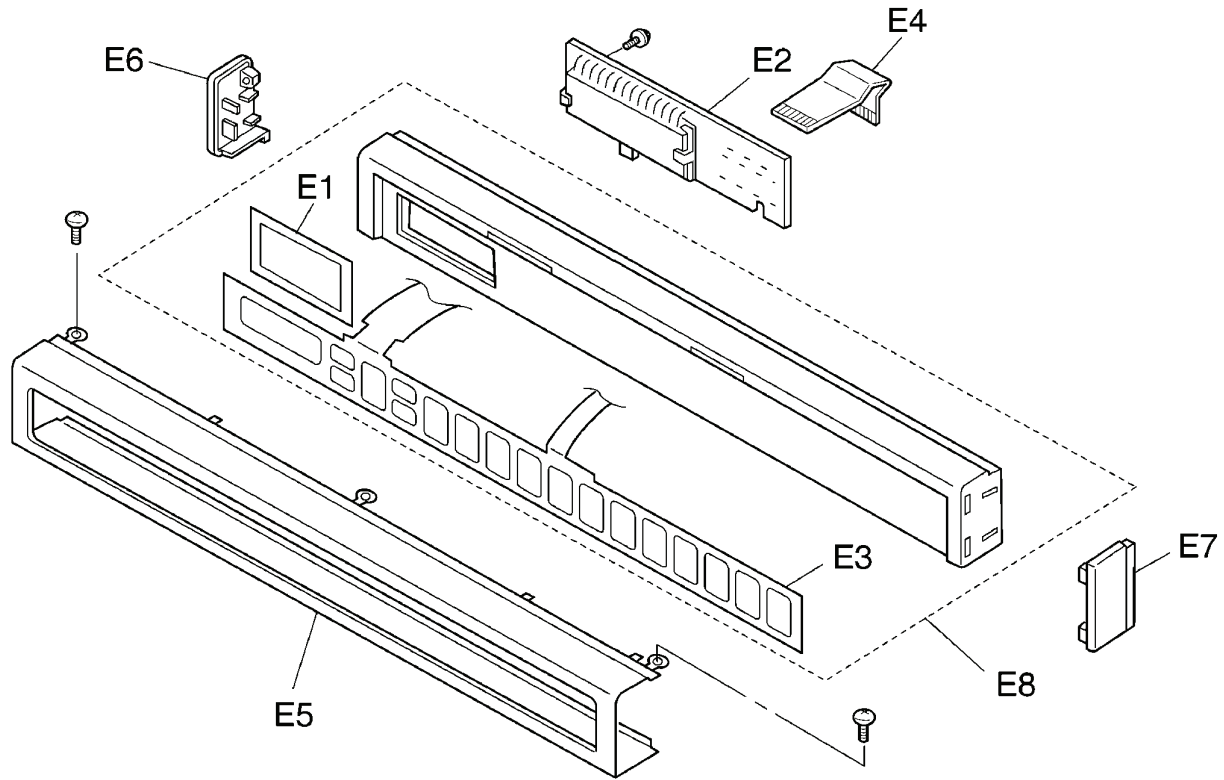
12.2. Door assembly



(S-396 APH)

Safety	Ref. No.	Part No.	Part Name & Description	Pcs/set	Remarks
⚠	D1	A3145-3500	DOOR SCREEN A	1	
	D2	ANE31468U0AP	DOOR SCREEN B	1	
	D3	ANE30038U0AP	DOOR FRAME (U)	1	
⚠	D4	ANE301A8U0AP	DOOR A	1	
	D5	A301H-3850	DOOR KEY LEVER B	1	
⚠	D6	A301Q-3500	DOOR E (U)	1	
	D7	A3018-3850	DOOR KEY A	1	
	D8	A3019-3850	DOOR KEY B	1	
	D9	ANE30218U0AP	DOOR KEY SPRING	1	
	D10	ANE30562Q0AP	HANDLE PIN	2	
	D11	A30703170GP	HANDLE PEICE A	1	
	D12	ANE3081P60AP	DOOR HINGE SPACER	1	
⚠	D13	ANE30858U0AP	DOOR C	1	
⚠	D14	ANE30078U0AP	HINGE	2	
	D15	ANE31348U0AP	HANDLE PEICE B	1	
	D16	XYEA4+C16TSJ	SCREW	2	(4X16)

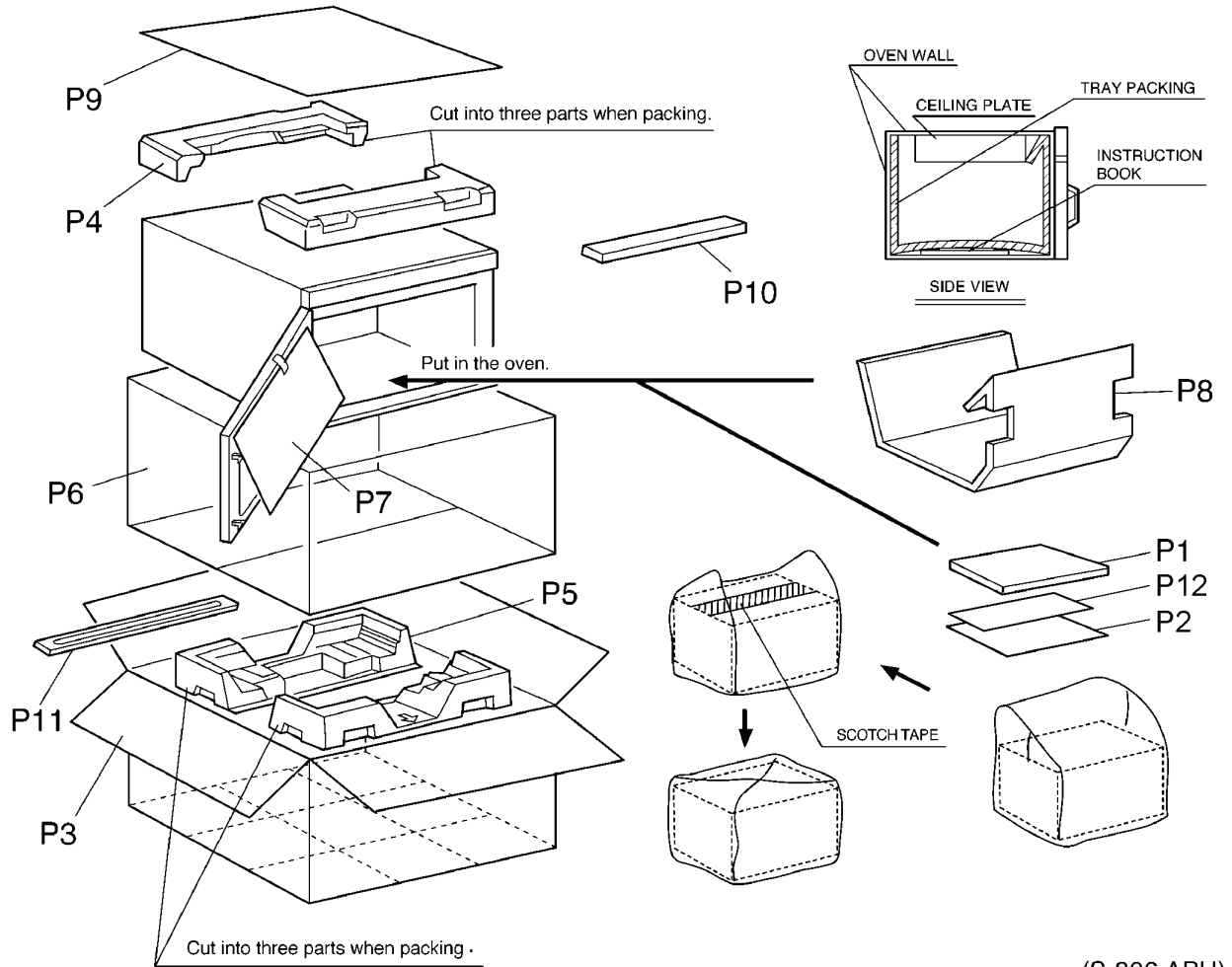
12.3. Escutcheon base assembly



(S-396 APH)

Safety	Ref. No.	Part No.	Part Name & Description	Pcs/set	Remarks
	E1	A83373E80AP	ESCUTCHEON SHEET	1	
	E2	A603M-3B10	PCB B (U)	1	FOR DISPLAY TUBE
	E3	A6479-3B10	MEMBRANE SWITCH	1	
	E4	A6590-3E10	FLAT CABLE	1	
	E5	ANE80018U0AP	ESCUTCHEON A	1	
	E6	A80023E20P3	ESCUTCHEON B	1	
	E7	A80063E20P3	ESCUTCHEON D	1	
	E8	A800L3E80AP	ESCUTCHEON BASE	1	

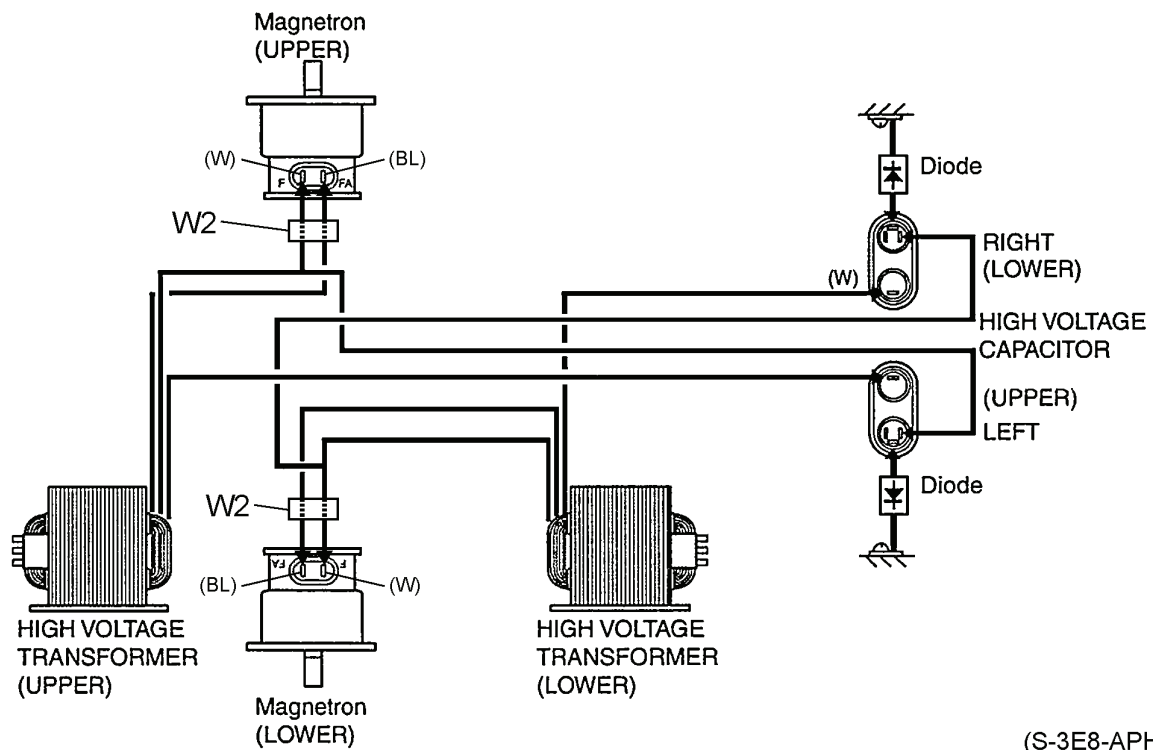
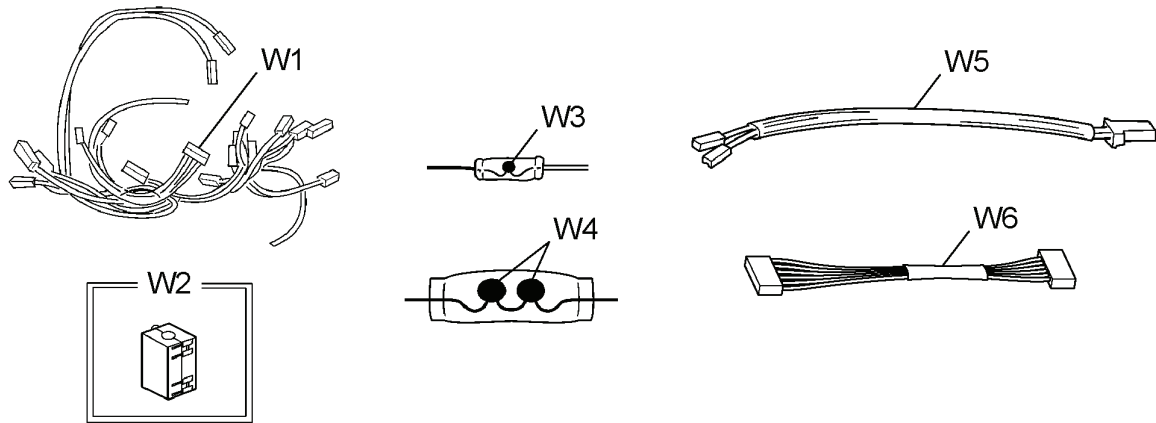
12.4. Packing and accessories



(S-396 APH)

Safety	Ref. No.	Part No.	Part Name & Description	Pcs/set	Remarks
⚠	P1	A00033E80CP	INSTRUCTION BOOK	1	NE-1252CPH, NE-1752CPR, NE-1772CPR, NE-2152CPR
⚠	P1	A00033E80AP	INSTRUCTION BOOK	1	NE-12521APH, NE-12523APH, NE-17521APR, NE-17523APR, NE-17723APR, NE-21521APR, NE-21523APR
	P2	A04203E80AP	OPERATING GUIDE	1	NE-12521APH, NE-12523APH, NE-17521APR, NE-17523APR, NE-17723APR, NE-21521APR, NE-21523APR
	P2	A04203E80CP	OPERATING GUIDE	1	NE-1252CPH, NE-1752CPR, NE-1772CPR, NE-2152CPR
	P3	A01023F00AP	PACKING CASE PAPER	1	NE-12521APH
	P3	A01023F40AP	PACKING CASE PAPER	1	NE-12523APH
	P3	A01023F00CP	PACKING CASE PAPER	1	NE-1252CPH
	P3	A01023E80AP	PACKING CASE PAPER	1	NE-17521APR
	P3	A01023F30AP	PACKING CASE PAPER	1	NE-17523APR
	P3	A01023E80CP	PACKING CASE PAPER	1	NE-1752CPR
	P3	A01023E90AP	PACKING CASE PAPER	1	NE-17723APR
	P3	A01023E90CP	PACKING CASE PAPER	1	NE-1772CPR
	P3	A01023E60AP	PACKING CASE PAPER	1	NE-21521APR
	P3	A01023F20AP	PACKING CASE PAPER	1	NE-21523APR
	P3	A01023E60CP	PACKING CASE PAPER	1	NE-2152CPR
	P4	A01043980AP	UPPER FILLER	1	
	P5	A01053980AP	LOWER FILLER	1	
	P6	A01065200AP	VINYL COVER	1	
	P7	ANE01072Q0AP	DOOR SHEET	1	
	P8	A01083310GP	TRAY PACKING	1	
	P9	A01263960AP	REINFORCE MATERIAL	1	
	P10	A01453230BP	DOOR SHEET B	1	
	P11	A1134-3280	FOOT BRACKET	1	
	P12	ANE00878U0AP	MEMO CARD	1	

12.5. Wiring material



(S-3E8-APH)

Safety	Ref. No.	Part No.	Part Name & Description	Pcs/set	Remarks
⚠	W1	A030A3F00AP	LEAD WIRE HARNESS	1	NE-12521APH, NE-12523APH
⚠	W1	A030A3F00CP	LEAD WIRE HARNESS	1	NE-1252CPH
⚠	W1	A030A3E80AP	LEAD WIRE HARNESS	1	NE-17521APR, NE-17523APR, NE-1752CPR, NE-17723APR, NE-1772CPR, NE-21521APR, NE-21523APR, NE-2152CPR
	W2	A50966520UP	FERRITE CORE	2	NE-1252CPH, NE-1752CPR, NE-1772CPR, NE-2152CPR
	W3	ERZC10DK471U	VARISTOR	1	
	W4	ERZV10D112	VARISTOR	2	
	W5	ANE0352-3280	LEAD WIRE	1	FOR ANTENNA MOTOR
	W6	A03823E90AP	LEAD WIRE	1	FOR PCB A(U), PCB F(U), NE-17723APR, NE-1772CPR