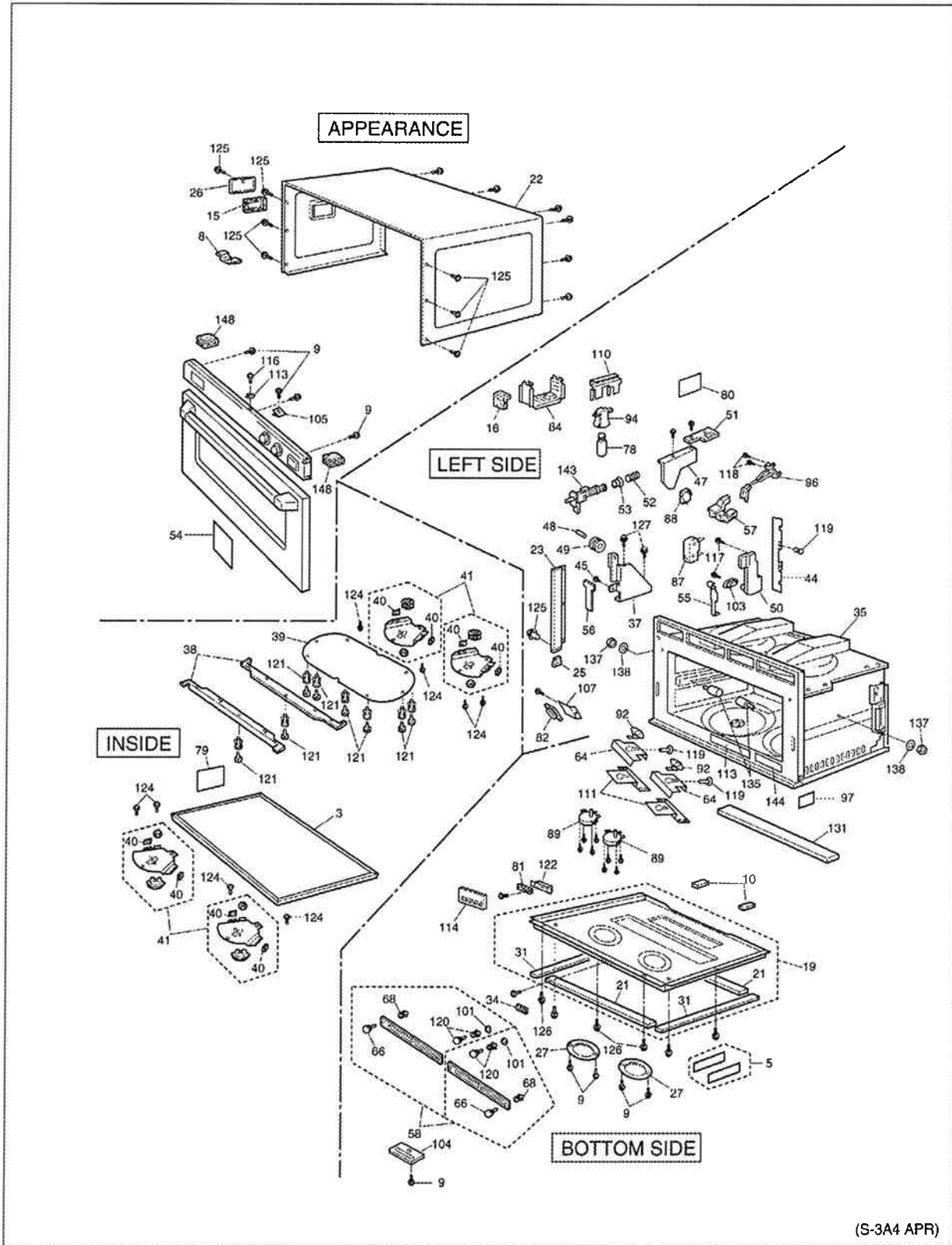
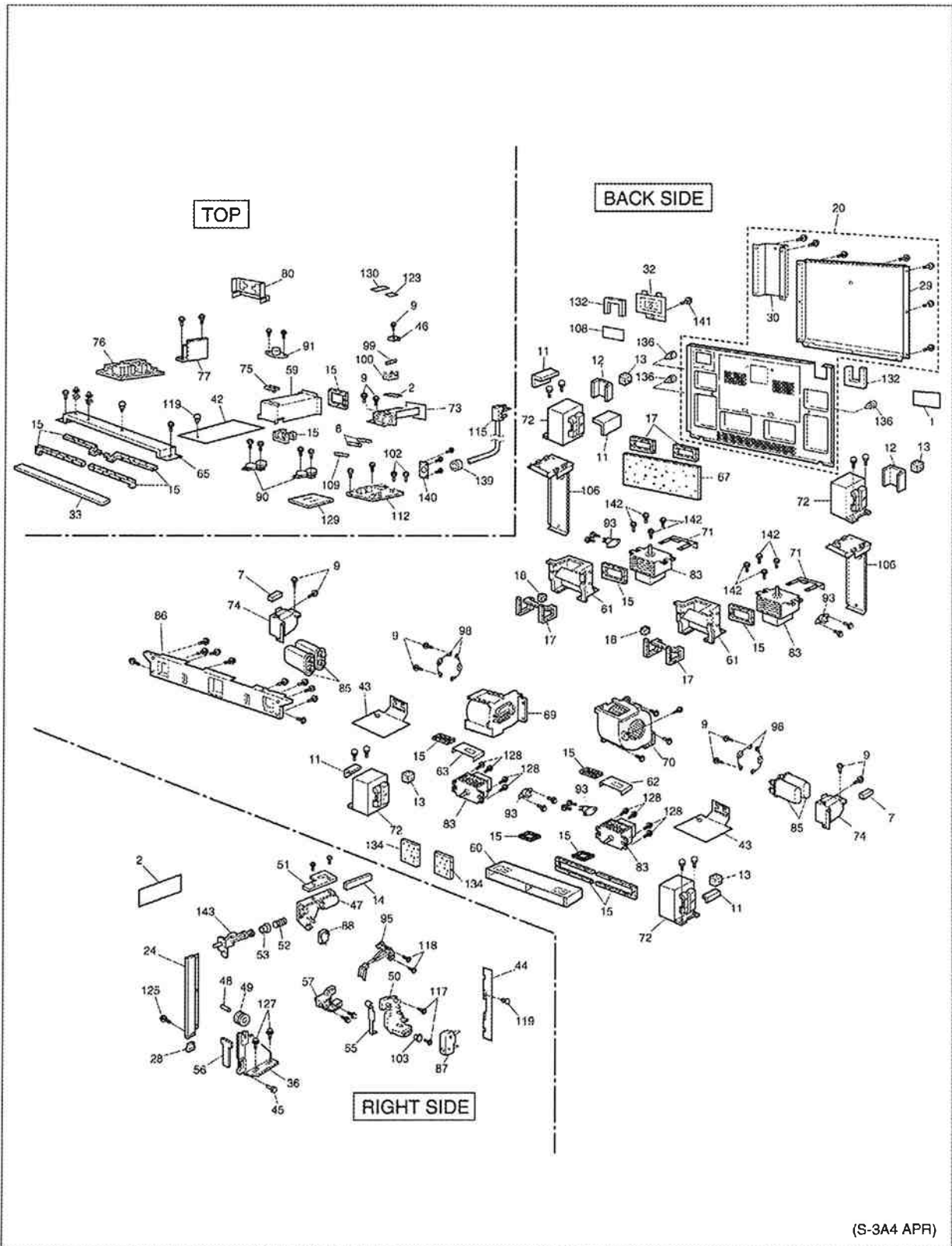


16 EXPLODED VIEW AND PARTS LIST



(S-3A4 APR)



(S-3A4 APR)

17 PARTS LIST

NOTE

When ordering replacement part(s), please use part number(s) shown in this parts list.

Do not use description of the part.

Important safety notice:

Components identified by Δ mark have special characteristics important for safety.

When replacing any of these components, use only manufacturer's specified parts.

Ref. No.	Part No.	Part Name & Description	Pcs/Set	Remarks
1	ANE00068U0CP	CAUTION LABEL	1	NE-2180C
1	A00063040AP	CAUTION LABEL	1	NE-3280,NE-2180
2	A00333A40AP	FUSE LABEL	1	NE-3280,NE-2180
2	A00333570CP	FUSE LABEL	1	NE-2180C
3	A010T3030GP	SHELF	1	
4	A02393A80BP	CORD LABEL	1	NE-3280,NE-2180
5	A05243A40AP	NAME LABEL	1	NE-3280
5	A05243A60AP	NAME LABEL	1	NE-2180
5	A05243A60CP	NAME LABEL	1	NE-2180C
6	ANE6595P40AP	FUSE	2	Δ NE-2180(C) (15A)
6	ANE6230P30AP	FUSE	2	Δ NE-3280 (20A)
7	ANE0911000DC	CUSHION RUBBER B	1	NE-3280
7	ANE0911000DC	CUSHION RUBBER B	1	NE-3280
8	ANE0911000DF	CUSHION RUBBER B	1	
9	XYD4+EE12F	SCREW	19	NE-2180(C) (4X12) (FOR TERMINAL PLATE ANTENNA, MOTOR COVER, SWITCH HOLDER, DIODE, CAPACITOR BRACKET, ESCUTCHEON BASE, DPC EARTH)
9	XYD4+EE12F	SCREW	18	NE-3280 (FOR TERMINAL PLATE ANTENNA, MOTOR COVER, SWITCH HOLDER, DIODE, CAPACITOR BRACKET, ESCUTCHEON BASE, DPC EARTH)
9	XYD4+EE12F	SCREW	19	NE-2180(C) (4X12) (FOR TERMINAL PLATE ANTENNA, MOTOR COVER, SWITCH HOLDER, DIODE, CAPACITOR BRACKET, ESCUTCHEON BASE, DPC EARTH)
9	XYD4+EE12F	SCREW	19	NE-2180(C) (4X12) (FOR TERMINAL PLATE ANTENNA, MOTOR COVER, SWITCH HOLDER, DIODE, CAPACITOR BRACKET, ESCUTCHEON BASE, DPC EARTH)
9	XYD4+EE12F	SCREW	19	NE-2180(C) (4X12) (FOR TERMINAL PLATE ANTENNA, MOTOR COVER, SWITCH HOLDER, DIODE, CAPACITOR BRACKET, ESCUTCHEON BASE, DPC EARTH)
9	XYD4+EE12F	SCREW	19	NE-2180(C) (4X12) (FOR TERMINAL PLATE ANTENNA, MOTOR COVER, SWITCH HOLDER, DIODE, CAPACITOR BRACKET, ESCUTCHEON BASE, DPC EARTH)
9	XYD4+EE12F	SCREW	19	NE-2180(C) (4X12) (FOR TERMINAL PLATE ANTENNA, MOTOR COVER, SWITCH HOLDER, DIODE, CAPACITOR BRACKET, ESCUTCHEON BASE, DPC EARTH)
9	XYD4+EE12F	SCREW	19	NE-2180(C) (4X12) (FOR TERMINAL PLATE ANTENNA, MOTOR COVER, SWITCH HOLDER, DIODE, CAPACITOR BRACKET, ESCUTCHEON BASE, DPC EARTH)
9	XYD4+EE12F	SCREW	19	NE-2180(C) (4X12) (FOR TERMINAL PLATE ANTENNA, MOTOR COVER, SWITCH HOLDER, DIODE, CAPACITOR BRACKET, ESCUTCHEON BASE, DPC EARTH)
9	XYD4+EE12F	SCREW	19	NE-2180(C) (4X12) (FOR TERMINAL PLATE ANTENNA, MOTOR COVER, SWITCH HOLDER, DIODE, CAPACITOR BRACKET, ESCUTCHEON BASE, DPC EARTH)
9	XYD4+EE12F	SCREW	19	NE-2180(C) (4X12) (FOR TERMINAL PLATE ANTENNA, MOTOR COVER, SWITCH HOLDER, DIODE, CAPACITOR BRACKET, ESCUTCHEON BASE, DPC EARTH)
9	XYD4+EE12F	SCREW	19	NE-2180(C) (4X12) (FOR TERMINAL PLATE ANTENNA, MOTOR COVER, SWITCH HOLDER, DIODE, CAPACITOR BRACKET, ESCUTCHEON BASE, DPC EARTH)
9	XYD4+EE12F	SCREW	19	NE-2180(C) (4X12) (FOR TERMINAL PLATE ANTENNA, MOTOR COVER, SWITCH HOLDER, DIODE, CAPACITOR BRACKET, ESCUTCHEON BASE, DPC EARTH)
10	ANE0911000EG	CUSHION RUBBER B	2	
11	ANE0911000EH	CUSHION RUBBER B	2	NE-2180(C)
11	ANE0911000EH	CUSHION RUBBER B	4	NE-3280
11	ANE0911000EH	CUSHION RUBBER B	2	NE-2180(C)
11	ANE0911000EH	CUSHION RUBBER B	2	NE-2180(C)
12	ANE0911000MG	CUSHION RUBBER B	2	NE-3280
12	ANE0911000MG	CUSHION RUBBER B	2	NE-3280
13	ANE0917000EB	CUSHION RUBBER B	2	
13	ANE0917000EB	CUSHION RUBBER B	2	
13	ANE0917000EB	CUSHION RUBBER B	2	
13	ANE0917000EB	CUSHION RUBBER B	2	
14	ANE0921000CG	CUSHION RUBBER C	1	
15	ANE000Z000AA	CUSHION RUBBER C	14	
15	ANE000Z000AA	CUSHION RUBBER C	14	
15	ANE000Z000AA	CUSHION RUBBER C	14	
15	ANE000Z000AA	CUSHION RUBBER C	14	
15	ANE000Z000AA	CUSHION RUBBER C	14	
15	ANE000Z000AA	CUSHION RUBBER C	14	
15	ANE000Z000AA	CUSHION RUBBER C	14	
15	ANE000Z000AA	CUSHION RUBBER C	14	

Protector Diode
 A606W3560 G-P Upper Circuit 30
 A606V3560 G-P Lower Circuit

Ref. No.	Part No.	Part Name & Description	Pcs/Set	Remarks
15	ANE000Z000AA	CUSHION RUBBER C	14	
15	ANE000Z000AA	CUSHION RUBBER C	14	
15	ANE000Z000AA	CUSHION RUBBER C	14	
15	ANE000Z000AA	CUSHION RUBBER C	14	
16	ANE0922000JE	CUSHION RUBBER C	1	
17	ANE000Z000AB	CUSHION RUBBER C	2	
17	ANE000Z000AB	CUSHION RUBBER C	2	
17	ANE000Z000AB	CUSHION RUBBER C	2	
18	ANE0924000AB	CUSHION RUBBER C	2	
18	ANE0924000AB	CUSHION RUBBER C	2	
19	A100A3560BP	BASE	1	(NOTE)
20	A100Q3560GP	BACK PANEL	1	
21	A10083030GP	RUBBER FOOT	2	
21	A10083030GP	RUBBER FOOT	2	
22	A10093030GP	CABINET BODY(U)	1	
23	A10133030GP	LEFT SIDE SASH	1	
24	A10143030GP	RIGHT SIDE SASH	1	
25	A10203030GP	SASH RUBBER B	1	LEFT
26	A10263030GP	LAMP COVER	1	
27	A10283030GP	ANTENNA MOTOR COVER	2	
27	A10283030GP	ANTENNA MOTOR COVER	2	
28	A10503030GP	SASH RUBBER A	1	RIGHT
29	A10583560GP	BACK PANEL COVER A	1	
30	A10593560GP	BACK PANEL COVER B	1	
31	A10943030GP	RUBBER FOOT B	2	
31	A10943030GP	RUBBER FOOT B	2	
32	ANE11548U0AP	BACK PANEL COVER	1	
33	A11743060GP	SPACER	1	
34	A16163040AP	PANEL B(U)	1	
35	A200A3A40AP	OVEN	1	
36	A200P3030GP	ROLLER BRACKET A	1	RIGHT
37	A200Q3030GP	ROLLER BRACKET B	1	LEFT
38	A20103030GP	CEILING PLATE B	2	
39	A20113030GP	CEILING PLATE	1	
40	A20193030GP	ANTENNA STOPPER	8	
40	A20193030GP	ANTENNA STOPPER	8	
40	A20193030GP	ANTENNA STOPPER	8	
40	A20193030GP	ANTENNA STOPPER	8	
40	A20193030GP	ANTENNA STOPPER	8	
40	A20193030GP	ANTENNA STOPPER	8	
40	A20193030GP	ANTENNA STOPPER	8	
40	A20193030GP	ANTENNA STOPPER	8	
41	A202R3560GP	ANTENNA(U)	4	
41	A202R3560GP	ANTENNA(U)	4	
42	A22173030GP	BARRIER SHEET A	1	
43	A22183030GP	BARRIER SHEET B	2	NE-3280
43	A22183030GP	BARRIER SHEET B	2	NE-3280
44	A22193030GP	BARRIER SHEET C	1	NE-2180(C)
44	A22193030GP	BARRIER SHEET C	2	NE-3280
45	ANE3008P00RN	HINGE PIN	2	
45	ANE3008P00RN	HINGE PIN	2	
46	XWNAE53GV	SPACER	1	
47	A30203030GP	DOOR HOOK A	2	
47	A30203030GP	DOOR HOOK A	2	
48	ANE3033-560	DOOR ROLLER PIN	2	
48	ANE3033-560	DOOR ROLLER PIN	2	
49	ANE3034-560	DOOR GUIDE ROLLER	2	
49	ANE3034-560	DOOR GUIDE ROLLER	2	
50	A31123050GP	DOOR HOOK B	2	NE-2180(C)
50	A31123030GP	DOOR HOOK B	2	NE-3280
51	A31363030GP	HOOK SPACER A	2	
51	A31363030GP	HOOK SPACER A	2	
52	ANE3155-610	SPRING	2	
52	ANE3155-610	SPRING	2	
53	ANE3157-610	PACKING RUBBER	2	
53	ANE3157-610	PACKING RUBBER	2	
54	A31863A40BP	DOOR PANEL	1	NE-3280
54	A31863A60BP	DOOR PANEL	1	NE-2180
54	A31863A60CP	DOOR PANEL	1	NE-2180C
55	A32493030GP	DOOR SWITCH LEVER	2	
55	A32493030GP	DOOR SWITCH LEVER	2	
56	A32523030GP	DOOR ARM SPACER	2	
56	A32523030GP	DOOR ARM SPACER	2	
57	A33373030GP	DOOR ARM LEVER	2	

Fuse Holder
A62314000AP

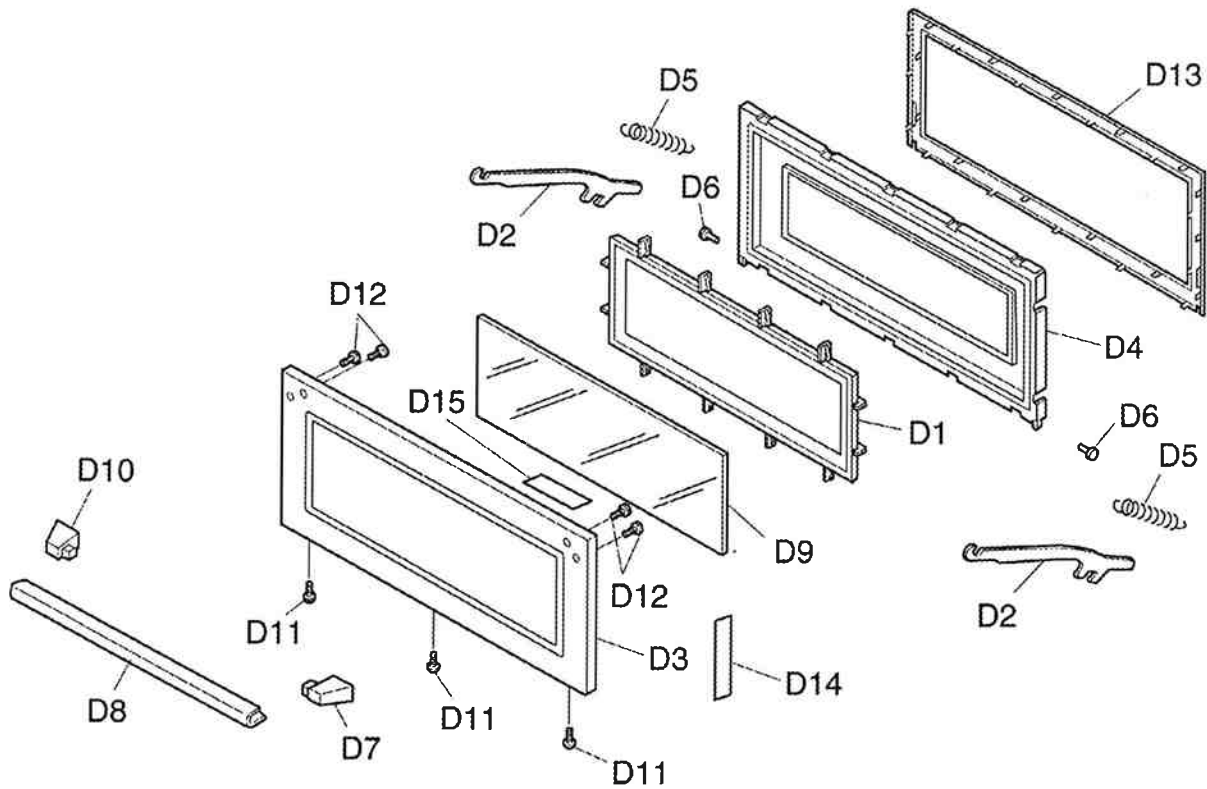
Ref. No.	Part No.	Part Name & Description	Pcs/Set	Remarks
57	A33373030GP	DOOR ARM LEVER	2	
58	A400B3040AP	AIR FILTER FLAME (U)	2	
59	A400C3040AP	EXHAUST GUIDE B	1	
60	A402N3030GP	EXHAUST GUIDE A	1	
61	A40253030GP	AIR GUIDE A	2	
61	A40253030GP	AIR GUIDE A	2	
62	A40263030GP	AIR GUIDE B	1	
63	A40313030GP	AIR GUIDE C	1	
64	A40423040AP	AIR GUIDE F	2	
64	A40423040AP	AIR GUIDE F	2	
65	A40473560GP	AIR GUIDE E	1	
66	A40923030GP	FILTER HANDLE	2	
66	A40923030GP	FILTER HANDLE	2	
67	A40963030GP	INSULATION SHEET	1	
68	ANE42408U0AP	FILTER HANDLE B	2	
68	ANE42408U0AP	FILTER HANDLE B	2	
69	A490W3570AP	FAN MOTOR A	1	NE-3280
69	A490W3590AP	FAN MOTOR A	1	NE-2180 (C)
70	A490Y3570AP	FAN MOTOR B	1	NE-3280
70	A490Y3590AP	FAN MOTOR B	1	NE-2180 (C)
71	ANE50328U0AP	MAGNETRON BRACKET	2	
71	ANE50328U0AP	MAGNETRON BRACKET	2	
72	A622A3A40AP	H.V. TRANSFORMER	4	△ NE-3280
72	A622A3A60AP	H.V. TRANSFORMER	2	△ NE-2180 (C)
72	A622A3A40AP	H.V. TRANSFORMER	4	△ NE-3280
72	A622A3A40AP	H.V. TRANSFORMER	4	△ NE-3280
73	A600E3030GP	TERMINAL PLATE	1	
73	A600E3030BP	TERMINAL PLATE	1	
74	A600S3030GP	CAPACITOR BRACKET	2	NE-2180 (C)
74	A600S3A40BP	CAPACITOR BRACKET	2	NE-3280
75	A601L4000AP	TEMP SENSOR	1	
76	A603M3560BP	P.C. BOARD B (U)	1	NE-3280
76	A603M3580GP	P.C. BOARD B (U)	1	NE-2180 (C)
77	A603Y3570AP	L.V. TRANSFORMER (U)	1	△
78	A60304080BP	INCANDESCENT LAMP	1	240V/20W
79	ANE6040-730	OVEN LAMP SHEET	2	
80	A61143040AP	MOUNTING BRACKET	1	
80	A61143040AP	MOUNTING BRACKET	1	
81	A605Q3030GP	PUSH SWITCH	1	
82	A605S3030GP	PC BOARD H (U)	1	
83	2M210-M1GL	MAGNETRON	4	△ NE-2180 (C)
83	2M244-M1GL	MAGNETRON	4	△ NE-3280
83	2M210-M1GL	MAGNETRON	4	△ NE-2180 (C)
83	2M210-M1GL	MAGNETRON	4	△ NE-2180 (C)
84	A60733030GP	OVEN LAMP COVER	1	
85	A60903050GP	H.V. CAPACITOR	4	△ NE-2180 (C) (0.63MF, AC2700V)
85	A63903330GP	H.V. CAPACITOR	4	△ NE-3280 (1.0MF, AC2700V)
86	A61073030GP	PARTS BRACKET B	1	
87	ANE6142-F60	MICROSWITCH	2	△ NE-2180 (C) V-15G-3C26 (SECONDARY INTERLOCK SWITCH)
87	A61423030GP	MICROSWITCH	2	△ NE-3280 (A20G7-3C108) SECONDARY LATCH SWITCH
88	A61424L0AG	MICROSWITCH	2	△ V-15G-3C26 (PRIMARY INTERLOCK SWITCH)
88	A61424L0AG	MICROSWITCH	2	△ V-15G-3C26 (PRIMARY INTERLOCK SWITCH)
89	A6144-3280	ANTENNA MOTOR	2	△ LOWER (2.5W)
89	A6144-3280	ANTENNA MOTOR	2	△ LOWER (2.5W)
90	A61446030AP	ANTENNA MOTOR	2	△ UPPER (2.5W)
91	A61454000AP	THERMAL CUTOUT	1	△ FOR OVEN
92	A61454050AP	THERMAL CUTOUT	2	△ FOR ANTENNA MOTOR
92	A61454050AP	THERMAL CUTOUT	2	△ FOR ANTENNA MOTOR
93	A61453570CP	THERMAL CUTOUT	4	△ FOR MAGNETRON
93	A61453570CP	THERMAL CUTOUT	4	△ FOR MAGNETRON
93	A61453570CP	THERMAL CUTOUT	4	△ FOR MAGNETRON
93	A61453570CP	THERMAL CUTOUT	4	△ FOR MAGNETRON
94	A61524210AA	SOCKET	1	△
95	A61583030GP	DOOR SWITCH A	1	△ RIGHT (MONITOR SWITCH)
96	A61583050GP	DOOR SWITCH B	1	△ LEFT (MONITOR SWITCH)
97	A61703030GP	INSULATION SHEET B	1	
98	A6202-3280	DIODE, SI	4	NE-3280
98	A62024000AP	DIODE, SI	4	NE-2180 (C)
99	A62303A60BP	FUSE	1	△ NE-2180C (30A)
100	A6231-F50	FUSE HOLDER	1	NE-2180C
101	A62383030GP	SPACER	2	
101	A62383030GP	SPACER	2	

Ref. No.	Part No.	Part Name & Description	Pcs/Set	Remarks
102	XYN5+C8BN	SCREW	2	NE-3280(5X8) FOR NOISE FILTER
103	A64083040AP	WASHER	2	
103	A64083040AP	WASHER	2	
104	A65313030GP	SWITCH HOLDER	1	
105	ANE6408600AP	WASHER	1	
106	A65513030GP	H.V.T.MOUNTING	2	
106	A65513030GP	H.V.T.MOUNTING	2	
107	A65613030GP	BUZZER CASE	1	
108	A05103040AP	CAUTION LABEL	1	NE-3280,NE-2180
108	A05103570CP	CAUTION LABEL	1	NE-2180C
109	A65953170GP	FUSE B	1	△ (1.25A)
110	A66033040AP	OVEN LAMP BRACKET	1	
111	A66263040AP	THERMAL CUTOFF MOUNT	2	
112	A692Y3570AP	NOISE FILTER (U)	1	△ NE-3280,NE-2180
112	A692Y3570CP	NOISE FILTER (U)	1	△ NE-2180C
113	ANE01728U0CP	CAUTION LABEL	1	
113	ANE01728U0CP	CAUTION LABEL	1	
114	A83613030GP	SWITCH SPACER		
115	A900C3A40AP	AC CORD W/PLUG (U)	1	△ NE-3280
115	B900C3570AP	AC CORD W/PLUG (U)	1	△ NE-2180 (C)
116	KTC4+10FC	SCREW	1	4X10 (FOR ESCUTCHEON BASE)
117	KYN4+F18S	SCREW	4	4X18 (FOR DOOR HOOK B)
117	KYN4+F18S	SCREW	4	4X18 (FOR DOOR HOOK B)
118	KYN4+F12S	SCREW	4	4X12 (FOR DOOR SWITCH)
118	KYN4+F12S	SCREW	4	4X12 (FOR DOOR SWITCH)
119	ANE9080-730	CLIP (YELLOW)	2	NE-2180 (C)
119	ANE9080-730	CLIP (YELLOW)	3	NE-3280
119	ANE9080-730	CLIP (YELLOW)	2	NE-2180 (C)
119	ANE9080-730	CLIP (YELLOW)	2	NE-2180 (C)
119	ANE9080-730	CLIP (YELLOW)	2	NE-2180 (C)
120	ANE90828U0AP	CLIP (BLACK)	2	
120	ANE90828U0AP	CLIP (BLACK)	2	
121	ANE9082930AP	CLIP	8	
121	ANE9082930AP	CLIP	8	
121	ANE9082930AP	CLIP	8	
121	ANE9082930AP	CLIP	8	
121	ANE9082930AP	CLIP	8	
121	ANE9082930AP	CLIP	8	
122	A98363030GP	CASE	1	
123	A02433560GP	TERMINAL LABEL	1	NE-3240,NE-2140
124	XST4+6VS	SCREW	8	4X6 (FOR ANTENNA)
124	XST4+6VS	SCREW	8	4X6 (FOR ANTENNA)
124	XST4+6VS	SCREW	8	4X6 (FOR ANTENNA)
124	XST4+6VS	SCREW	8	4X6 (FOR ANTENNA)
124	XST4+6VS	SCREW	8	4X6 (FOR ANTENNA)
124	XST4+6VS	SCREW	8	4X6 (FOR ANTENNA)
124	XST4+6VS	SCREW	8	4X6 (FOR ANTENNA)
125	XTC4+10BC	SCREW	9	4X10 (FOR CABINET BODY LAMP COVER SASH)
125	XTC4+10BC	SCREW	9	4X10 (FOR CABINET BODY LAMP COVER SASH)
125	XTC4+10BC	SCREW	9	4X10 (FOR CABINET BODY LAMP COVER SASH)
125	XTC4+10BC	SCREW	9	4X10 (FOR CABINET BODY LAMP COVER SASH)
125	XTC4+10BC	SCREW	9	4X10 (FOR CABINET BODY LAMP COVER SASH)
125	XTC4+10BC	SCREW	9	4X10 (FOR CABINET BODY LAMP COVER SASH)
126	KTC4+12BK	SCREW	3	4X12 (FOR BASE)
126	XTC4+12BK	SCREW	3	4X12 (FOR BASE)
127	XTEANE5+10B	SCREW	4	5X10 (FOR ROLLER BRACKET)
127	XTEANE5+10B	SCREW	4	5X10 (FOR ROLLER BRACKET)
128	KTWANE4+10RU	SCREW	8	4X10 (FOR LOWER MAGNETRON)
128	KTWANE4+10RU	SCREW	8	4X10 (FOR LOWER MAGNETRON)
128	KTWANE4+10RU	SCREW	8	4X10 (FOR LOWER MAGNETRON)
128	KTWANE4+10RU	SCREW	8	4X10 (FOR LOWER MAGNETRON)
129	A608E3560GP	P.C. BOARD Q	1	NE-3280
130	ANE0962000ZE	CUSHION RUBBER D	2	
131	A80163060GP	CUSHION SPACER	1	
132	ANE0961000ZL	CUSHION RUBBER D	2	
132	ANE0961000ZL	CUSHION RUBBER D	2	
133	ANE0963000AS	CUSHION RUBBER D	2	
134	A10493030GP	CUSHION RUBBER	2	
134	A10493030GP	CUSHION RUBBER	2	
135	A18593560GP	SHELF SUPPORT	2	
136	A91433040AP	CLIP A	4	NE-2180 (C)
136	A91433040AP	CLIP A	4	NE-2180 (C)
136	A91433040AP	CLIP A	4	NE-2180 (C)
137	KNW5EFP	NUT	2	FOR SHELF SUPPRT
137	KNW5EFP	NUT	2	FOR SHELF SUPPRT

Ref. No.	Part No.	Part Name & Description	Pcs/Set	Remarks
138	XWG5BV	WASHER	2	FOR SHELF SUPPRT
138	XWG5BV	WASHER	2	FOR SHELF SUPPRT
139	A90273A40AP	CORD BUSHING	1	NE-3280
139	A90273040AP	CORD BUSHING	1	NE-2180 (C)
140	A90353A40AP	CORD BRACKET	1	NE-3280
140	A90353570CP	CORD BRACKET	1	NE-2180 (C)
141	XTT4+8E	SCREW	1	4X8 (FOR BACK PANEL COVER)
142	XYEANE5+C16T	SCREW	8	5X16 (FOR UPPER MAGNETRON)
142	XYEANE5+C16T	SCREW	8	5X16 (FOR UPPER MAGNETRON)
142	XYEANE5+C16T	SCREW	8	5X16 (FOR UPPER MAGNETRON)
142	XYEANE5+C16T	SCREW	8	5X16 (FOR UPPER MAGNETRON)
143	A30183030GP	DOOR KEY A	2	
143	A30183030GP	DOOR KEY A	2	
144	A04115020CQ	CSA LABEL	1	NE-2180C

NOTE: Please order name label together.

18 DOOR ASSEMBLE



(S-3A4 APR)

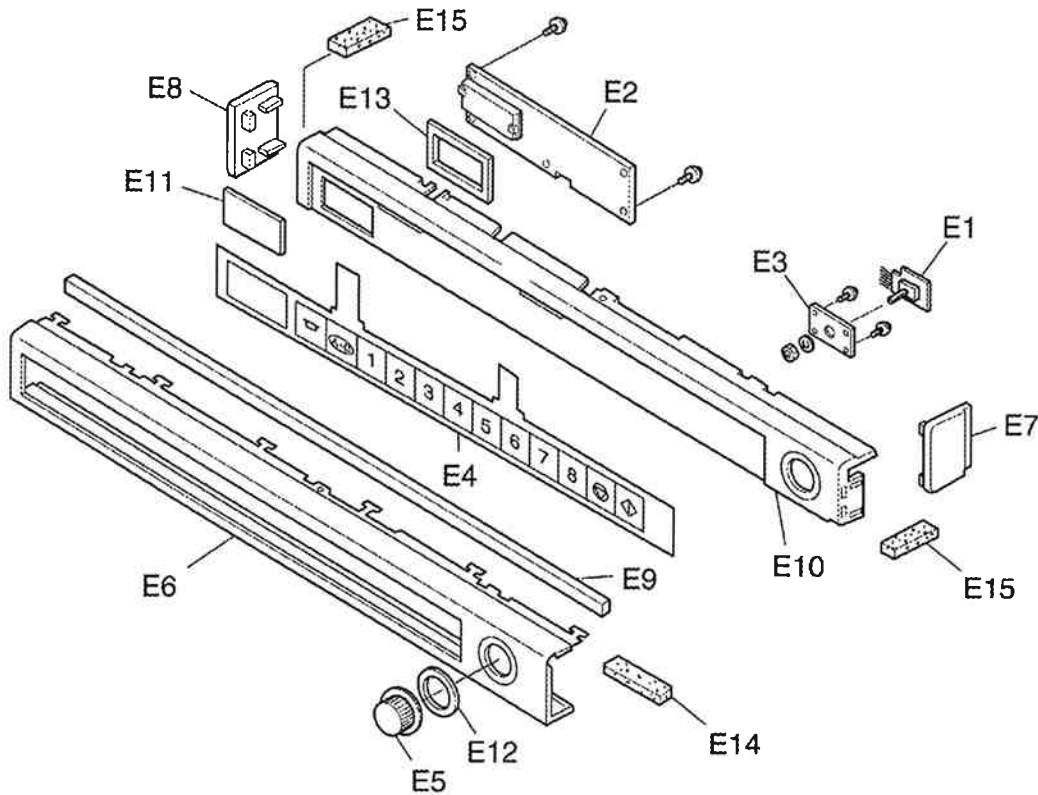
Ref. No.	Part No.	Part Name & Description	Pcs/Set	Remarks
D1	A30033030GP	DOOR FRAME	1	
D2	A30043030GP	DOOR ARM	2	
D2	A30043030GP	DOOR ARM	2	
D3	A301A3030GP	DOOR A	1	NOTE
D4	A302K3030GP	DOOR E (U)	1	
D5	ANE3009P00RN	DOOR SPRING	2	
D5	ANE3009P00RN	DOOR SPRING	2	
D6	ANE3036P00RN	DOOR ARM PIN	2	
D6	ANE3036P00RN	DOOR ARM PIN	2	
D7	A30703030GP	HANDLE PIECE A	1	
D8	A31343030GP	HANDLE PIECE B	1	
D9	A31463030GP	DOOR SCREEN B	1	
D10	A31473030GP	HANDLE SHEET C	1	
D11	XTC4+10BC	SCREW	3	4X10
D11	XTC4+10BC	SCREW	3	4X10
D11	XTC4+10BC	SCREW	3	4X10

Complete Door Assembly
A390L3040AP

Ref. No.	Part No.	Part Name & Description	Pcs/Set	Remarks
D12	XYEANE4+C16T	SCREW	4	4X16
D12	XYEANE4+C16T	SCREW	4	4X16
D13	A30853030GP	DOOR C	1	
D14	ANE0245X00AP	DHHS LABEL	1	NE-3280, NE2180
D15	ANE01728U0CP	CAUTION LABEL	1	

NOTE: Please order DHHS label together.

19 ESCUTCHEON BASE ASSEMBLE

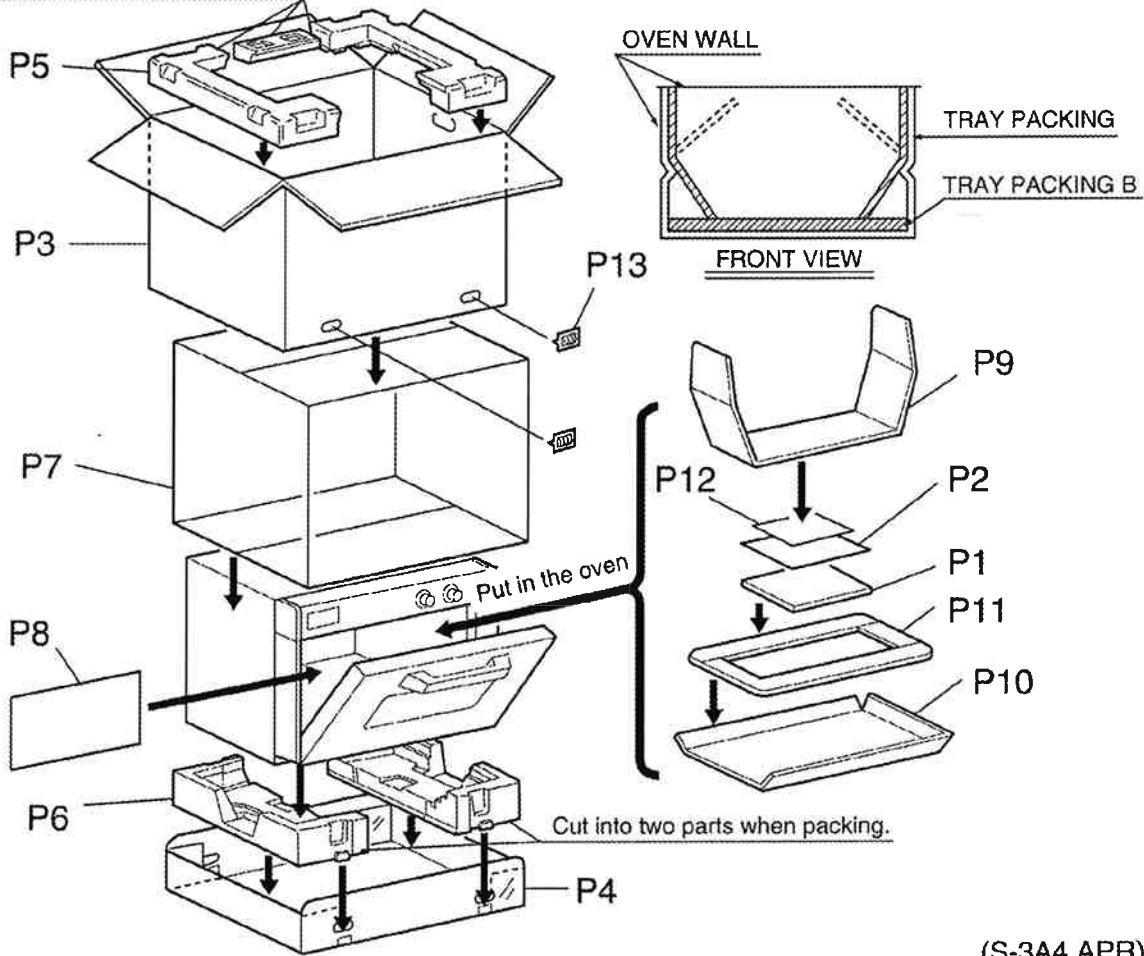


(S-3A4 APR)

Ref. No.	Part No.	Part Name & Description	Pcs/Set	Remarks
E1	A03613560GP	TIMER	1	
E2	A603L3590GP	D.P. CIRCUIT (U)	1	△ RTL(W/COMPONENT)
E3	A63433030GP	TIMER BRACKET	1	NE-3280, NE-2180
E4	A64793570AP	MEMBRANE SWITCH	1	△
E5	A800D3060GP	TIMER KNOB	1	
E6	A800L3060GP	ESCUTCHEON A	1	NE-3280, NE-2180
E7	A80023030GP	ESCUTCHEON B	1	
E8	A80063030GP	ESCUTCHEON D	1	
E9	A80163030GP	ESCUTCHEON SPACER	1	
E10	A80343060GP	ESCUTCHEON BASE	1	NE-3280, NE-2180
E11	A81263060GP	SMOKE PANEL	1	NE-3280, NE-2180
E12	A82873030GP	SPACER A	1	NE-3280, NE-2180
E13	A83423060GP	CUSHION RUBBER B	1	NE-3280, NE-2180
E14	ANE0911000AB	CUSHION RUBBER B	1	NE-3280, NE-2180
E15	ANE0961000ZE	CUSHION RUBBER D	2	
E15	ANE0961000ZE	CUSHION RUBBER D	2	

20 PACKING AND ACCESSORIES

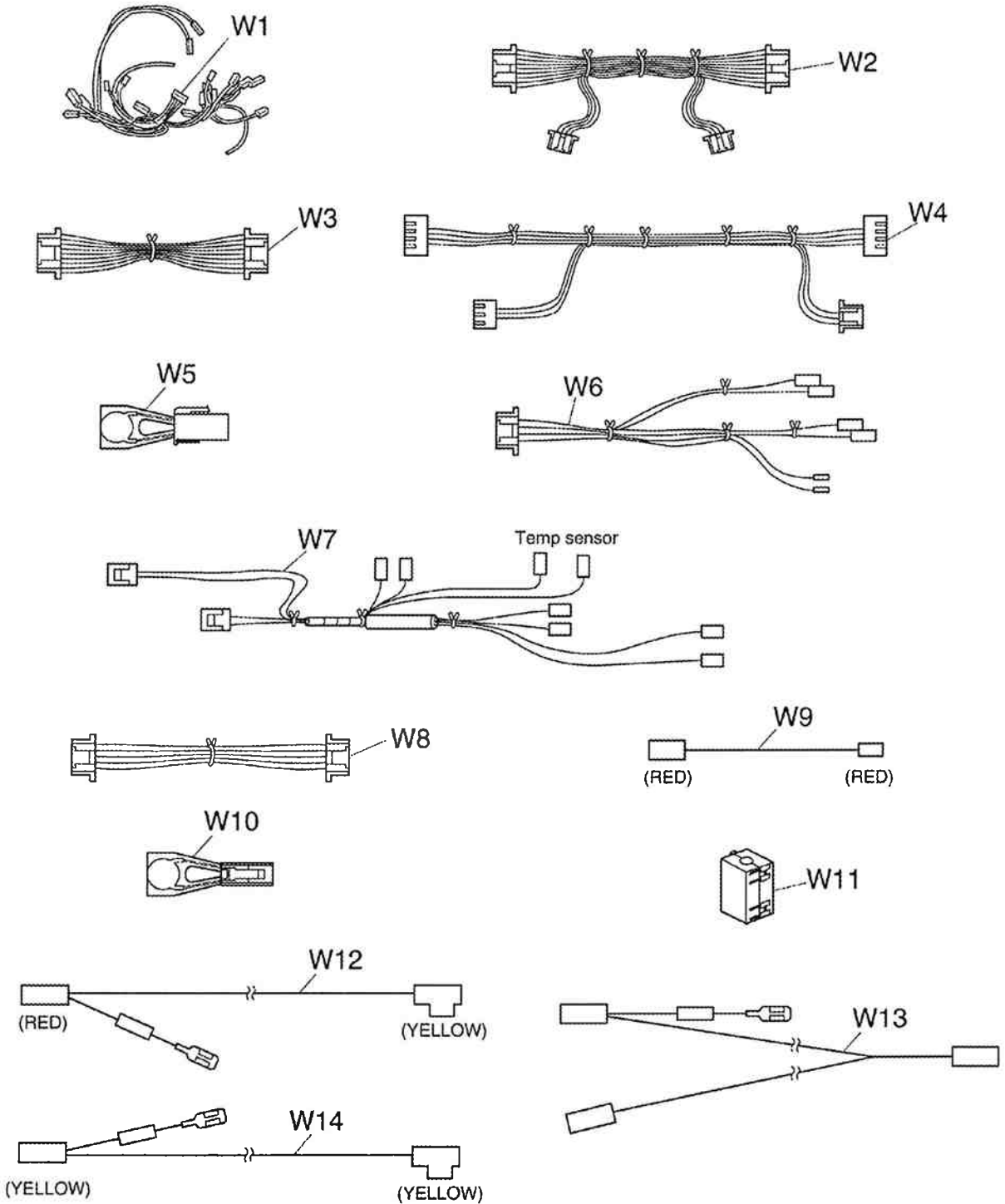
Cut into three parts when packing.



(S-3A4 APR)

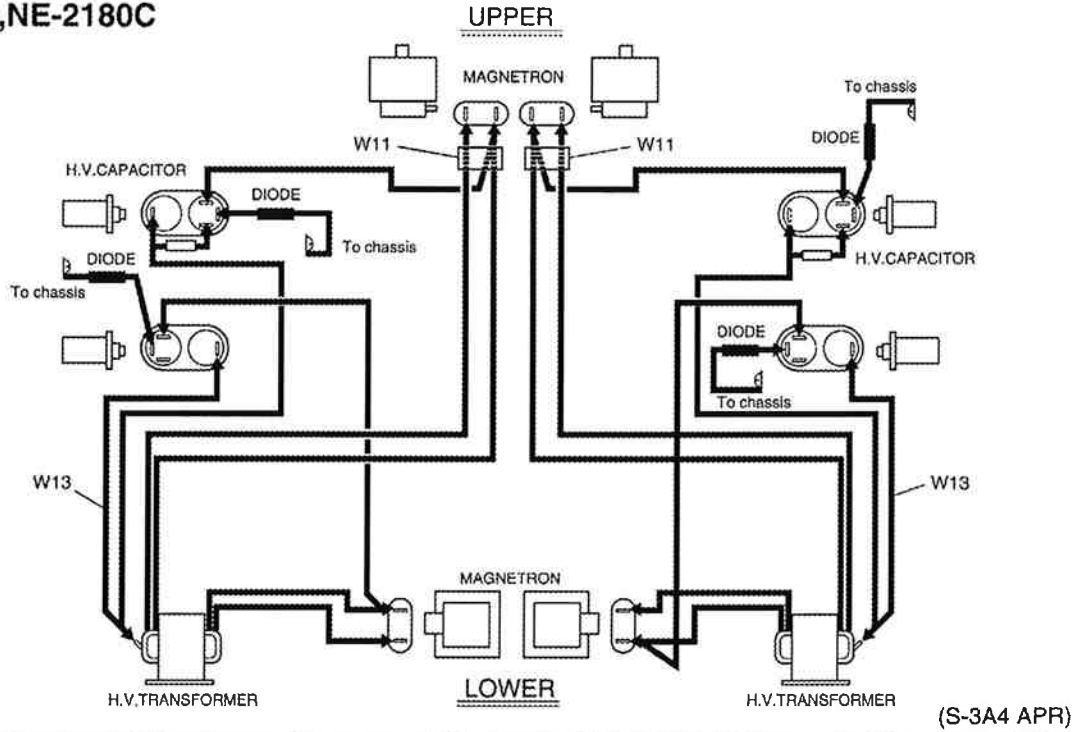
Ref. No.	Part No.	Part Name & Description	Pcs/Set	Remarks
P1	A00033A40AP	INSTRUCTION BOOK	1	NE-3280, NE-2180
P1	A00033A60CP	INSTRUCTION BOOK	1	NE-2180C
P2	A00873040AP	MENU CARD	1	
P3	A01023570CP	PACKING CASE, PAPER	1	NE-3280
P3	A01023590CP	PACKING CASE, PAPER	1	NE-2180 (C)
P4	A01033030GP	BOTTOM CASE	1	
P5	A01043030GP	UPPER FILLER	1	
P6	A01053030GP	LOWER FILLER	1	
P7	A01063040AP	VINYL COVER	1	
P8	A01073030GP	DOOR SHEET	1	
P9	A01083030GP	TRAY PACKING	1	
P10	A01173030GP	TRAY PACKING B	1	
P11	A012D3050GP	SHELF B	1	
P12	A04203570AP	OPERATING GUIDE	1	
P13	HP-601W	FASTENER	4	

21 WIRING MATERIAL



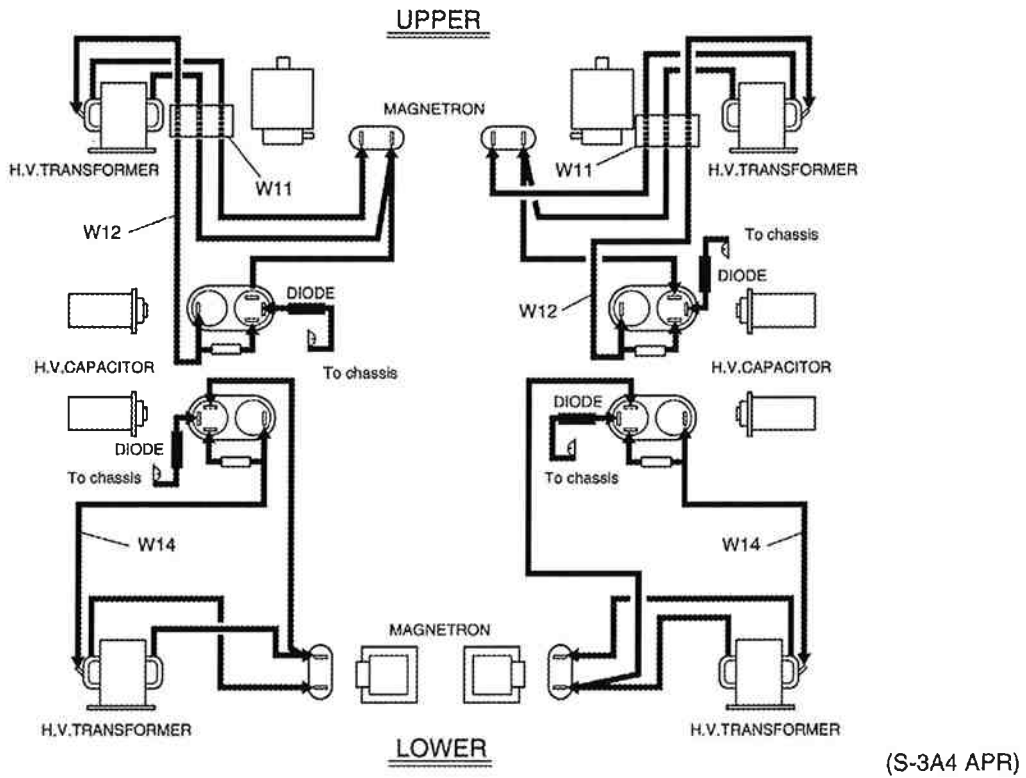
(S-3A4 APR)

NE-2180,NE-2180C



(S-3A4 APR)

NE-3280



(S-3A4 APR)

Ref. No.	Part No.	Part Name & Description	Pcs/Set	Remarks
W1	A030A3A40AP	LEAD WIRE HARNESS	1	NE-3280
W1	A030A3A60AP	LEAD WIRE HARNESS	1	NE-2180
W1	A030A3590CP	LEAD WIRE HARNESS	1	NE-2180C
W2	A03603560GP	LEAD WIRE	1	
W3	A03623A40AP	LEAD WIRE	1	NE-3280

Ref. No.	Part No.	Part Name & Description	Pcs/Set	Remarks
W3	A03623560GP	LEAD WIRE	1	NE-2180 (C)
W4	A03633560GP	LEAD WIRE	1	
W5	A604Q3570AP	SURGE ABSORBER A	1	NE-2180
W6	A03653560GP	LEAD WIRE	1	
W7	A03693560GP	LEAD WIRE	1	
W8	A03703560GP	LEAD WIRE	1	
W9	A03723A60BP	LEAD WIRE	1	NE-2180
W10	A604Q3590AP	SURGE ABSORBER B	1	NE-2180
W11	A50966520UP	FERRITE CORE	4	NE-2180C
W12	A606W3560GP	PROTECTOR DIODE B	2	NE-3280
W13	A606V3580GP	PROTECTOR DIODE	2	NE-2180 (C)
W14	A606V3560GP	PROTECTOR DIODE	2	NE-3280

Ref. No.	Part No.	Part Name & Description	Pcs/Ser	Remarks
REF NO.76 P.C.BOARD B (U)				
	AEGHPUG3640		1	△
	XYN3+F8S6		1	3X8
	2SD2012		1	
	ERDS2TJ163T		1	NE-2180 (C) (16KΩ, 1/4W, 5%)
C250	ECALHHC222E		1	2200MF/50V
CN250	AEEMMD1FP09W		1	9PIN
CN251	AEEMMD7FP11N		1	11PIN
CN252	AEEMMD04907W		1	7PIN
CN254	AEEMMD01F05W		1	5PIN
D250, D251, D252, D253, D254, D255, D256, D257, D258, D259, D260, D261, D262, D263, D264, D265, D267, D269, D271, D273	MA196 - (TA5)	DIODE SI	20	
IC250, IC251, IC252, IC253	AEICPS2505	IC	4	NE-3280
IC250, IC253	AEICPS2505	IC	2	NE-2180 (C)
JPR250	ERDS2TJ163T	CARBON FILM RESISTOR	1	NE-2180 (C) (16KΩ, 1/4W, 5%)
JPR250	ERDS2TJ622T	CARBON FILM RESISTOR	1	NE-3280 (6.2KΩ, 1/4W, 5%)
Q251	2SD637-PQRS	TRANSISTOR SI	1	
R250	ERDS2TJ332T	CARBON FILM RESISTOR	1	3.3KΩ, 1/4W, 5%
R251, R252, R253, R254, R255, R256, R257, R258	ERDS1TJ104T	CARBON FILM RESISTOR	8	NE-3280
R251, R252, R257, R258	ERDS1TJ104T	CARBON FILM RESISTOR	4	NE-2180 (C) (100KΩ, 1/2W, 5%)
R259, R260	ERF15ZXJ240	RESISTOR	2	24Ω, 15W, 5%
R261	ERDS2TJ684T	CARBON FILM RESISTOR	1	680KΩ, 1/4W, 5%
RY1	AEG5B18P-1	POWER RELAY	1	△ G5B-1-ER18 (18V)
RY2, RY3, RY9, RY11, RY14, RY16	AEG5J1EM18B	POWER RELAY	7	△ NE-2180 (C) (G5J-1-TP-M-ER18)
RY2, RY3, RY5, RY7, RY9, RY11, RY12, RY13, RY14, RY15, RY16	AEG5J1EM18B	POWER RELAY	11	△ NE-3280 (G5J-1-TP-M-ER18)
REF NO.82 P.C.BOARD H (U)				
BZ	EFBRL37C20	BUZZER	1	3.7KHZ
CN551	AEEMMB00703R	CONNECTOR	1	3PIN
D551	MA196 - (TA5)	DIODE, SI	1	
Q551	2SD639-PQRS	TRANSISTOR SI	1	
R551	ERDS2TJ681T	CARBON FILM RESISTOR	1	680Ω, 1/4W, 5%
CN551	ERDS2TJ184T	CARBON FILM RESISTOR	1	180KΩ, 1/4W, 5%
CN551	ERDS2TJ103T	CARBON FILM RESISTOR	1	10KΩ, 1/4W, 5%
REF NO.112 NOISE FILTER (U)				
C1	ECQU2A224MNA	POLYESTER CAPACITOR	1	NE-2180 (C) (0.22MF 250V)
C2, C3	ECKMNA472ME	CERAMIC CAPACITOR	2	△ NE-2180 (0.0047MF 250V)
C2, C3	A6169A20GN	CAPACITOR	2	NE-3280 (0.022MF 250V)
CN1, CN3	A61663560BP	TERMINAL BOARD	2	NE-3280
CN9	AEEMMD00703W	CONNECTOR	1	3PIN
D1	ERZC10DK621F	VARIATOR	1	

Ref. No.	Part No.	Part Name & Description	Pcs/Ser	Remarks
D2, D3	ERZC10DK112R	VARISTOR	2	
F1, F2	A62316010BP	FUSE HOLDER	4	
F1, F2	A6116-1740	TERMINAL BOARD	2	NE-3280
F3	A62314000AP	FUSE HOLDER	1	NE-3280, NE-2180
F3	A62316010BP	FUSE HOLDER	4	
L1	A621A3570CP	FILTER COIL	1	NE-2180C

22 DIGITAL PROGRAMMER CIRCUIT

SCHEMATIC DIAGRAM