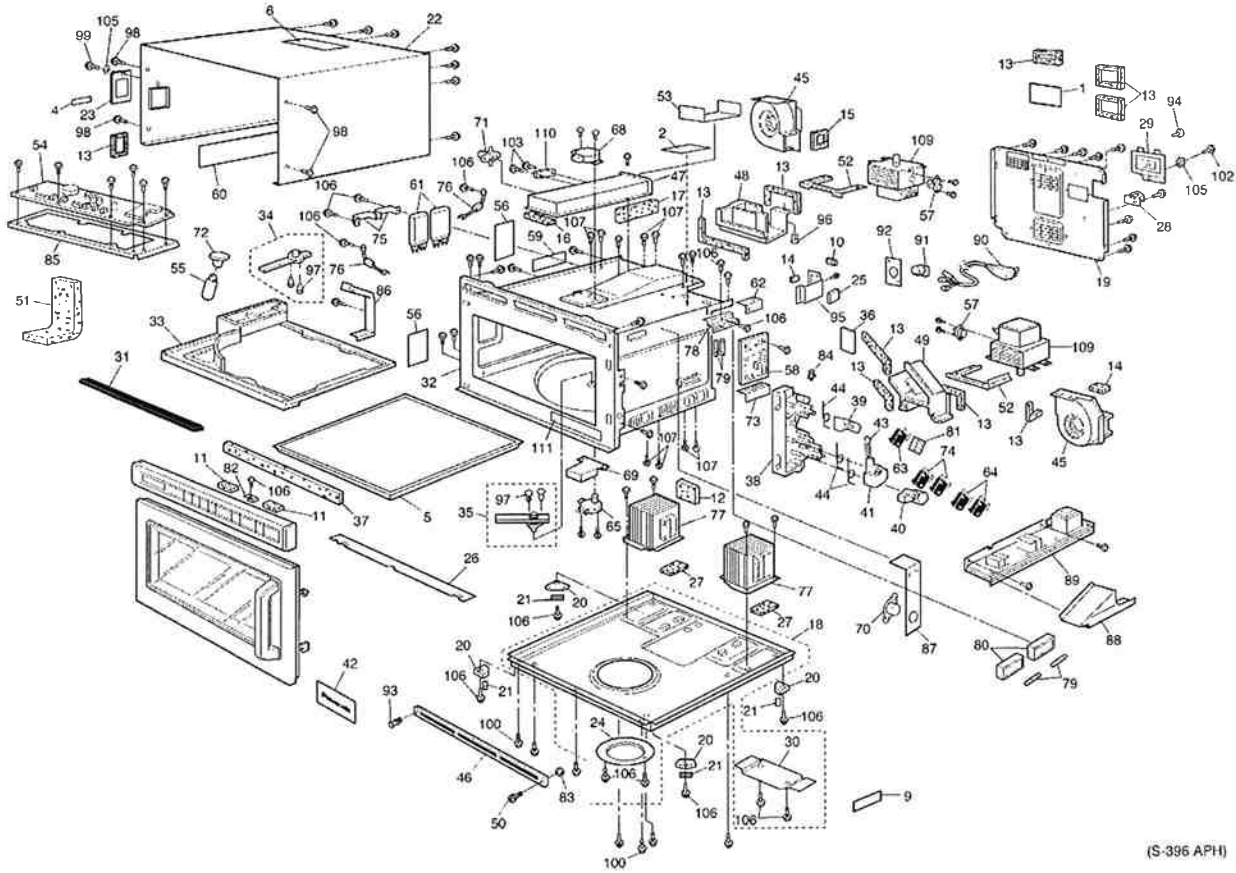


23 EXPLODED VIEW AND PARTS LIST



(S-396 APH)

24 PARTS LIST

NOTE: When ordering replacement part(s), please use part number(s) shown in this parts list.

Important safety notice:

Components identified Δ by mark have special characteristics important for safety.

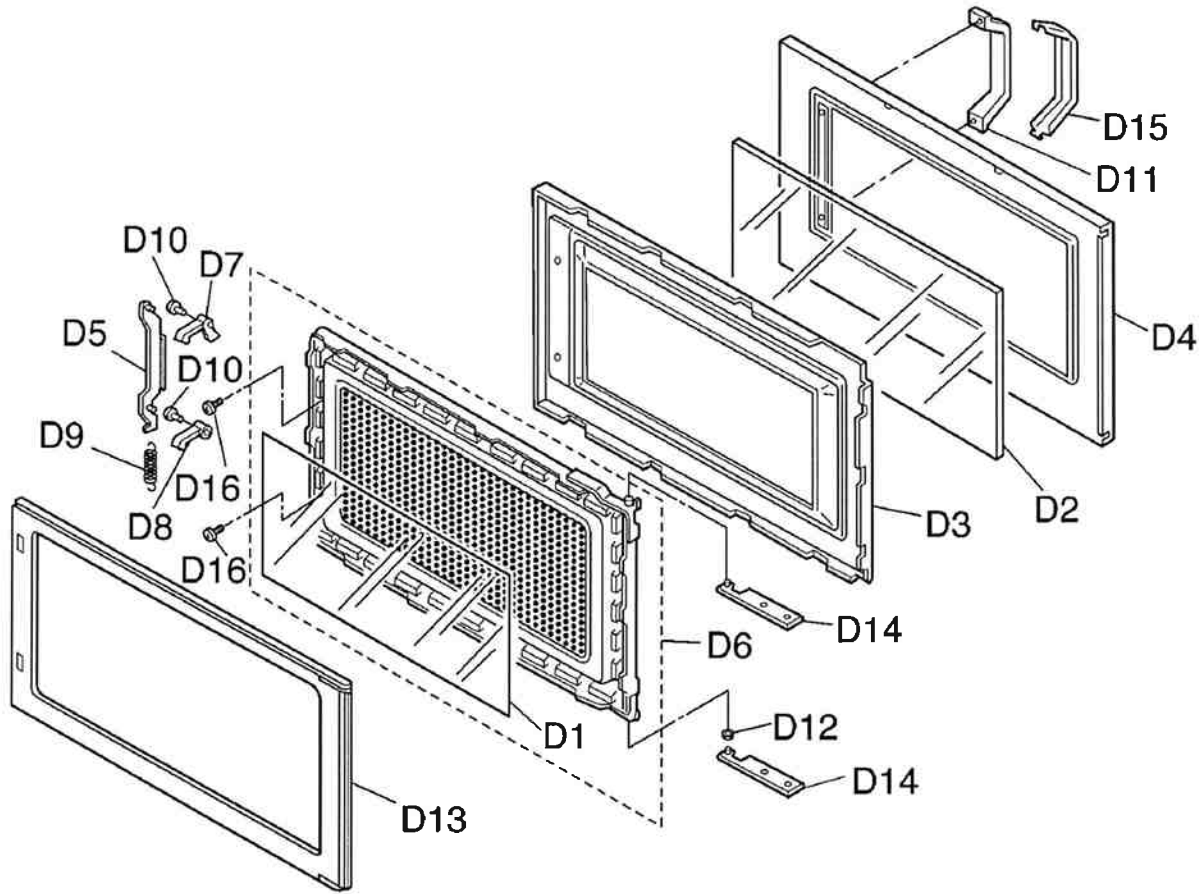
When replacing any of these components, use only manufacture's specified parts.

Ref. No.	Part No.	Part Name & Description	Pcs/ Set	Remarks
1	ANE00068U0CP	WARNING LABEL	1	NE-1257CR NE-1757CR NE-2157CR
1	A00064000AP	WARNING LABEL	1	NE-1257R NE-1258R NE-1757R NE-2157R
2	A00333960AP	FUSE LABEL	1	
3	A0056-3500	HIGH VOLTAGE LABEL	1	
4	ANE0072L20CP	CAUTION LABEL	1	NE-1257CR NE-1757CR NE-2157CR
4	ANE0072L20AP	CAUTION LABEL	1	NE-1257R NE-1258R NE-1757R NE-2157R
5	ANE010T8U0AP	SHELF	1	
6	ANE0150110AG	CAUTION LABEL	1	NE-1257R NE-1258R NE-1757R NE-2157R
7	ANE01728U0CP	CAUTION LABEL	1	
8	ANE05108V0CP	CAUTION LABEL	1	NE-1757CR NE-2157CR
8	ANE05108V0AP	CAUTION LABEL	1	NE-1757R NE-2157R
9	A05243960AP	NAME LABEL	1	NE-1257R
9	A05243990AP	NAME LABEL	1	NE-1258R
9	A05243970AP	NAME LABEL	1	NE-1757R
9	A05243980AP	NAME LABEL	1	NE-2157R
9	A05243960CP	NAME LABEL	1	NE-1257CR
9	A05243970CP	NAME LABEL	1	NE-1757CR
9	A05243980CP	NAME LABEL	1	NE-2157CR
10	ANE0901000CD	CUSHION RUBBER A	1	
11	ANE000Z000AD	CUSHION RUBBER A	5	NE-1257R NE-1757R
11	ANE000Z000AD	CUSHION RUBBER A	5	NE-1257R NE-1757R
12	ANE0911000MG	CUSHION RUBBER B	1	
13	ANE000Z000AA	CUSHION RUBBER C	10	
13	ANE000Z000AA	CUSHION RUBBER C	10	
13	ANE000Z000AA	CUSHION RUBBER C	10	
13	ANE000Z000AA	CUSHION RUBBER C	10	
13	ANE000Z000AA	CUSHION RUBBER C	10	
13	ANE000Z000AA	CUSHION RUBBER C	10	
13	ANE000Z000AA	CUSHION RUBBER C	10	
13	ANE000Z000AA	CUSHION RUBBER C	10	
13	ANE000Z000AA	CUSHION RUBBER C	10	
13	ANE000Z000AA	CUSHION RUBBER C	10	
13	ANE000Z000AA	CUSHION RUBBER C	10	
14	ANE000Z000AD	CUSHION RUBBER C	4	NE-1257CR NE-1757CR NE-2157CR
14	ANE000Z000AD	CUSHION RUBBER C	5	NE-1258R NE-2157R
15	ANE000Z000AB	CUSHION RUBBER C	1	
16	ANE0962000AP	CUSHION RUBBER D	1	
17	ANE0962000AV	CUSHION RUBBER D	1	
18	A100A-3280	BASE	1	
19	A100Q-3280	BACK PANEL	1	
20	A1007-3280	FOOT	4	
20	A1007-3280	FOOT	4	
20	A1007-3280	FOOT	4	
20	A1007-3280	FOOT	4	
20	A1007-3280	FOOT	4	
21	A1008-3280	RUBBER FOOT	4	
21	A1008-3280	RUBBER FOOT	4	
21	A1008-3280	RUBBER FOOT	4	
21	A1008-3280	RUBBER FOOT	4	
21	A1008-3280	RUBBER FOOT	4	
22	ANE10098U0AP	CABINET BODY	1	
23	ANE10268U0AP	LAMP COVER	1	
24	ANE10288U0AP	ANTENNA MOTOR COVER	1	
25	ANE10498U0AP	CUSHION RUBBER	1	
26	NE11268U0AP	BASE BRACKET	1	
27	ANE1062-8U0	CUSHION RUBBER B	2	
27	ANE1062-8U0	CUSHION RUBBER B	2	
28	ANE11408A0AG	STOPPER	1	
29	ANE11548U0AP	BACK PANEL COVER	1	
30	ANE11668U0AP	BASE METAL	1	
31	ANE11748U0AP	SPACER	1	
32	A200A-3280	OVEN	1	Δ
33	A2011-3470	CEILING PLATE	1	Δ
34	A202K-3850	ANTENNA	1	(UPPER)
35	A202V3310GP	ANTENNA B	1	(LOWER) NE-1257R NE-1257CR NE-1757R NE-1757CR NE-1258R
35	A202V-3850	ANTENNA B	1	NE-2157R NE-2157CR (LOWER)
36	ANE21208U0AP	SPACER	1	

Ref. No.	Part No.	Part Name & Description	Pcs/ Set	Remarks
37	A8251-3180	SPACER	1	
38	A3020-3850	DOOR HOOK A	1	△
39	A3136-3470	HOOK SPACER A	1	
40	A3137-3850	HOOK SPACER B	1	
41	A3138-3470	HOOK SPACER C	1	
42	A31863960CP	DOOR PANEL	1	NE-1257CR
42	A31863960AP	DOOR PANEL	1	NE-1257R
42	A31863990AP	DOOR PANEL	1	NE-1258R
42	A31863970CP	DOOR PANEL	1	NE-1757CR
42	A31863970AP	DOOR PANEL	1	NE-1757R
42	A31863980AP	DOOR PANEL	1	NE-2157R
42	A31863980CP	DOOR PANEL	1	NE-2157CR
43	ANE32398U0AP	SPRING	1	
44	ANE32628U0AP	SPRING	3	
44	ANE32628U0AP	SPRING	3	
45	A400A3650AP	FAN MOTOR	2	NE-1257CR NE-1257R NE-1258R (50W)
45	A400A3660AP	FAN MOTOR	2	NE-1757CR NE-1757R (54W)
45	A400A3780AP	FAN MOTOR	2	NE-2157R NE-2157CR (51W)
46	A400B-3280	AIR FILTER FLAME	1	
47	A4024-3180	EXHAUST GUIDE A	1	
48	ANE40258U0AP	AIR GUIDE A	1	
49	ANE40268U0AP	AIR GUIDE B	1	
50	A4091-3280	SCREW	1	FOR AIR FILTER FLAME
51	ANE41038U0AP	AIR GUIDE CUSHION B	1	
52	ANE50328U0AP	MAGNETRON BRACKET	2	
52	ANE50328U0AP	MAGNETRON BRACKET	2	
53	A50493650CP	FIRE BARRIER	1	NE-1257CR NE-1757CR
53	A50493780CP	FIRE BARRIER	1	NE-2157CR
54	A603L3960AP	D.P.CIRCUIT (U)	1	NE-1257CR NE-1257R NE-1258R RTL (W/COMPONENT)
54	A603L3970AP	D.P.CIRCUIT (U)	1	NE-1757CR NE-1757R RTL (W/COMPONENT)
54	A603L3980AP	D.P.CIRCUIT (U)	1	NE-2157R NE-2157CR RTL (W/COMPONENT)
55	ANE6030540AP	INCANDESCENT LAMP	1	NE-1257CR NE-1257R NE-1258R (125V 20W)
55	A60304080BP	INCANDESCENT LAMP	1	NE-1757CR NE-1757R NE-2157R NE-2157CR (240V 20W)
56	ANE60408U0AP	OVEN LAMP SHEET	2	NE-1257CR NE-1257R NE-1258R NE-1757CR NE-1757R
56	A60403780AP	OVEN LAMP SHEET	2	NE-2157R NE-2157CR
57	ANE61458U0AP	THERMAL CUTOFF	2	△
57	ANE61458U0AP	THERMAL CUTOFF	2	△
57	ANE61458U0AP	THERMAL CUTOFF	2	△
58	A605S3650CP	PC BOARD H (U)	1	NE-1257CR
58	A605S3660CP	PC BOARD H (U)	1	NE-1757CR NE-2157CR
59	ANE60708U0BP	INSULATION SHEET A	1	
60	A60713310BP	INSULATION SHEET B	1	
61	A60903650AP	H.V.CAPACITOR	2	△NE-1257CR NE-1257R NE-1258R
61	A60903660AP	H.V.CAPACITOR	2	△NE-1757CR NE-1757R
61	A60903780AP	H.V.CAPACITOR	2	△NE-2157R NE-2157CR
62	A6070-3280	INSULATION SHEET A	2	
63	ANE6142-F60	MICROSWITCH	2	△(V-15G-3C26) PRIMARY LATCH SWITCH
64	ANE61424L0AG	MICROSWITCH	1	△(V-16G-3C26) SECONDARY LATCH SWITCH
65	A6144-3280	ANTENNA MOTOR	1	NE-1257CR NE-1257R NE-1258R NE-1757CR NE-1757R (2.5W)
65	A61443030GP	ANTENNA MOTOR	1	NE-2157R NE-2157CR (2.5W)
68	A61443660AP	ANTENNA MOTOR	1	NE-1757CR NE-1757R NE-2157R NE-2157CR (2.5W)
68	A61446030AP	ANTENNA MOTOR	1	NE-1257CR NE-1257R NE-1258R (2.5W)
69	A65943030GP	MOTOR COVER	1	
70	ANE61458U0AP	THERMAL CUTOFF	1	△NE-1257R NE-1757R
71	ANE61454L0AG	THERMAL CUTOFF	1	△NE-1257CR NE-1757CR
71	A61454050AP	THERMAL CUTOFF	1	△NE-2157R NE-2157CR
72	A61524210AA	SOCKET	1	△
73	A6170-3280	INSULATION SHEET C	1	NE-1257CR NE-1757CR NE-2157CR
74	ANE61784L0AG	MICRO SWITCH	2	△(V-16G-2C25) SHORT SWITCH
75	ANE61888U0AP	CAPACITOR BRACKET	2	
76	A62023960AP	DIODE SI	2	△NE-1257CR NE-1257R NE-1258R NE-1757CR NE-1757R
76	A62023880AP	DIODE SI	2	△NE-2157R NE-2157CR
77	A621B3650AP	H.V. TRANSFORMER	2	NE-1257CR NE-1257R NE-1258R
77	A621B3660AP	H V. TRANSFORMER	2	NE-1757CR NE-1757R
77	A621B3780AP	H.V. TRANSFORMER	2	NE-2157R NE-2157CR
78	ANE62298U0AP	MOUNTING BRACKET	1	
79	ANE6230P90AP	FUSE	1	△NE-1257CR NE-1257R NE-1258R (25A)
79	A62303970AP	FUSE	2	△NE-1757CR NE-1757R NE-2157R NE-2157CR (18A)
80	A62314000AP	FUSE HOLDER	1	NE-1257R NE-1258R
80	A62314000AP	FUSE HOLDER	2	NE-1757R NE-2157R
81	ANE6238X20AP	SPACER	1	
82	ANE64086Q0AP	WASHER	1	

Ref. No.	Part No.	Part Name & Description	Pcs/ Set	Remarks
83	A6408-3280	WASHER	1	
84	ANE65448U0AP	SPACER A	1	
85	A6585-3280	P.C.B.HOLDER	1	
86	ANE66038U0AP	OVEN LAMP BRACKET	1	
87	ANE66268U0AP	THERMAL CUTOUT MOUNT	1	NE-1257R NE-1258R NE-1757R
88	A6688-3180	P.C.B.COVER	1	
89	A692M3650AP	L.V.TRANSFORMER (U)	1	NE-1257CR NE-1257R NE-1258R
89	A692M3660AP	L.V.TRANSFORMER (U)	1	NE-1757CR NE-1757R NE-2157R NE-2157CR
90	B900C3650CP	AC CORD W/PLUG	1	△NE-1257CR
90	B900C3650AP	AC CORD W/PLUG	1	△NE-1257R NE-1258R
90	B900C3660CP	AC CORD W/PLUG	1	△NE-1757CR
90	B900C3660AP	AC CORD W/PLUG	1	△NE-1757R
90	B900C3780AP	ACCORD W/PLUG	1	△NE-2157R
90	B900C3780CP	AC CORD W/PLUG	1	△NE-2157CR
91	ANE9027510RN	CORD BUSHING	1	
92	ANE9035P90AP	CORD BRACKET	1	
93	ANE90828U0AP	CLIP (BLACK)	1	
94	ANE91438U0AP	CLIP (GLAY)	1	NE-1257CR NE-1257R NE-1258R
95	ANE91448U0AP	BRACKET	1	
96	ANE91628U0AP	CLIP B	1	
97	ANE91658V0AP	CLIP	4	
97	ANE91658V0AP	CLIP	4	
98	XTC4+10BC	SCREW	4	(4X10) FOR CABINET BODY
98	XTC4+10BC	SCREW	4	(4X10) FOR CABINET BODY
98	XTC4+10BC	SCREW	4	(4X10) FOR CABINET BODY
99	XTC4+10FC	SCREW	1	(4X10) FOR LAMP COVER
100	XTC4+12BK	SCREW (BLACK)	2	(4X12) FOR BASE
100	XTC4+12BK	SCREW (BLACK)	2	(4X12) FOR BASE
101	XTEANE5+10B	SCREW	4	(5X10) FOR H.V.TRANSFORMER
102	XTT4+8E	SCREW	1	(4X8) FOR BACK PANEL COVER
103	XTWANE3+8EX	SCREW	2	(3X8) FOR TEMP SENSOR
104	XTW3+8B	SCREW	4	(3X8) FOR FOOT
105	XWC4BPN	WASHER	2	FOR BACK PANEL COVER, LAMP COVER
105	XWC4BPN	WASHER	2	FOR BACK PANEL COVER, LAMP COVER
106	XYD4+EE12F	SCREW	11	(4X12) FOR DIODE, CAPACITOR BRACKET, AC CORD, MOTOR COVER, BASE METAL ETC
106	XYD4+EE12F	SCREW	11	(4X12) FOR DIODE, CAPACITOR BRACKET, AC CORD, MOTOR COVER, BASE METAL ETC
106	XYD4+EE12F	SCREW	11	(4X12) FOR DIODE, CAPACITOR BRACKET, AC CORD, MOTOR COVER, BASE METAL ETC
106	XYD4+EE12F	SCREW	11	(4X12) FOR DIODE, CAPACITOR BRACKET, AC CORD, MOTOR COVER, BASE METAL ETC
106	XYD4+EE12F	SCREW	11	(4X12) FOR DIODE, CAPACITOR BRACKET, AC CORD, MOTOR COVER, BASE METAL ETC
106	XYD4+EE12F	SCREW	11	(4X12) FOR DIODE, CAPACITOR BRACKET, AC CORD, MOTOR COVER, BASE METAL ETC
106	XYD4+EE12F	SCREW	11	(4X12) FOR DIODE, CAPACITOR BRACKET, AC CORD, MOTOR COVER, BASE METAL ETC
106	XYD4+EE12F	SCREW	11	(4X12) FOR DIODE, CAPACITOR BRACKET, AC CORD, MOTOR COVER, BASE METAL ETC
106	XYD4+EE12F	SCREW	11	(4X12) FOR DIODE, CAPACITOR BRACKET, AC CORD, MOTOR COVER, BASE METAL ETC
106	XYD4+EE12F	SCREW	11	(4X12) FOR DIODE, CAPACITOR BRACKET, AC CORD, MOTOR COVER, BASE METAL ETC
106	XYD4+EE12F	SCREW	11	(4X12) FOR DIODE, CAPACITOR BRACKET, AC CORD, MOTOR COVER, BASE METAL ETC
106	XYD4+EE12F	SCREW	11	(4X12) FOR DIODE, CAPACITOR BRACKET, AC CORD, MOTOR COVER, BASE METAL ETC
106	XYD4+EE12F	SCREW	11	(4X12) FOR DIODE, CAPACITOR BRACKET, AC CORD, MOTOR COVER, BASE METAL ETC
106	XYD4+EE12F	SCREW	11	(4X12) FOR DIODE, CAPACITOR BRACKET, AC CORD, MOTOR COVER, BASE METAL ETC
107	XYEANE5+C16T	SCREW	8	(5X16) FOR MAGNETRON
107	XYEANE5+C16T	SCREW	8	(5X16) FOR MAGNETRON
107	XYEANE5+C16T	SCREW	8	(5X16) FOR MAGNETRON
107	XYEANE5+C16T	SCREW	8	(5X16) FOR MAGNETRON
108	XYEA4+C16TS	SCREW	2	
109	2M210-M1F1	MAGNETRON	2	△NE-1257R NE-1258R NE-1757R
109	2M210-M1G	MAGNETRON	2	△NE-1257CR NE-1757CR
109	2M244-M1F1	MAGNETRON	2	△NE-2157R NE-2157CR
109	2M244-M1G	MAGNETRON	2	△NE-2157R
110	A601L5150AP	TEMP SENSOR	1	△
111	ANE0245X00AP	DHHS LABEL	1	NE-1257R NE-1258R NE-1757R NE-2157R
111	A04115020CQ	CSA LABEL	1	NE-1257CR NE-1757CR NE-2157CR

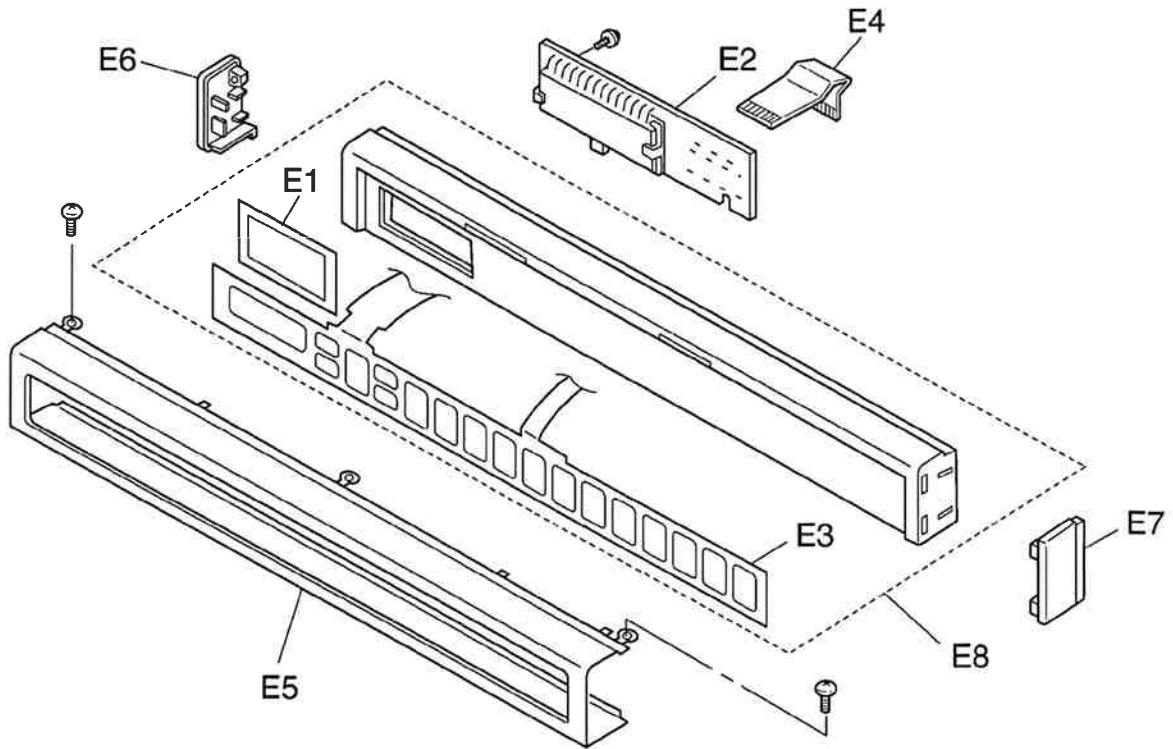
25 DOOR ASSEMBLY



(S-396 APH)

Ref. No.	Part No.	Part Name & Description	Pcs/ Set	Remarks
D1	A3145-3500	DOOR SCREEN A	1	△
D2	ANE31468U0AP	DOOR SCREEN B	1	
D3	ANE30038U0AP	DOOR FRAME (U)	1	
D4	ANE301A8U0AP	DOOR A	1	△
D5	A301H-3850	DOOR KEY LEVER B	1	
D6	ANE301Q8U0AP	DOOR E (U)	1	△
D7	A3018-3850	DOOR KEY A	1	
D8	A3019-3850	DOOR KEY B	1	
D9	ANE30218U0AP	DOOR KEY SPRING	1	
D10	ANE30562Q0AP	HANDLE PIN	2	
D10	ANE30562Q0AP	HANDLE PIN	2	
D11	A30703170GP	HANDLE PEICE A	1	
D12	ANE3081P60AP	DOOR HINGE SPACER	1	
D13	ANE30858U0AP	DOOR C	1	△
D14	ANE30078U0AP	HINGE	2	△
D14	ANE30078U0AP	HINGE	2	△
D15	ANE31348U0AP	HANDLE PEICE B	1	
D16	XYEA4+C16TS	SCREW	2	(4X16)
D16	XYEA4+C16TS	SCREW	2	(4X16)

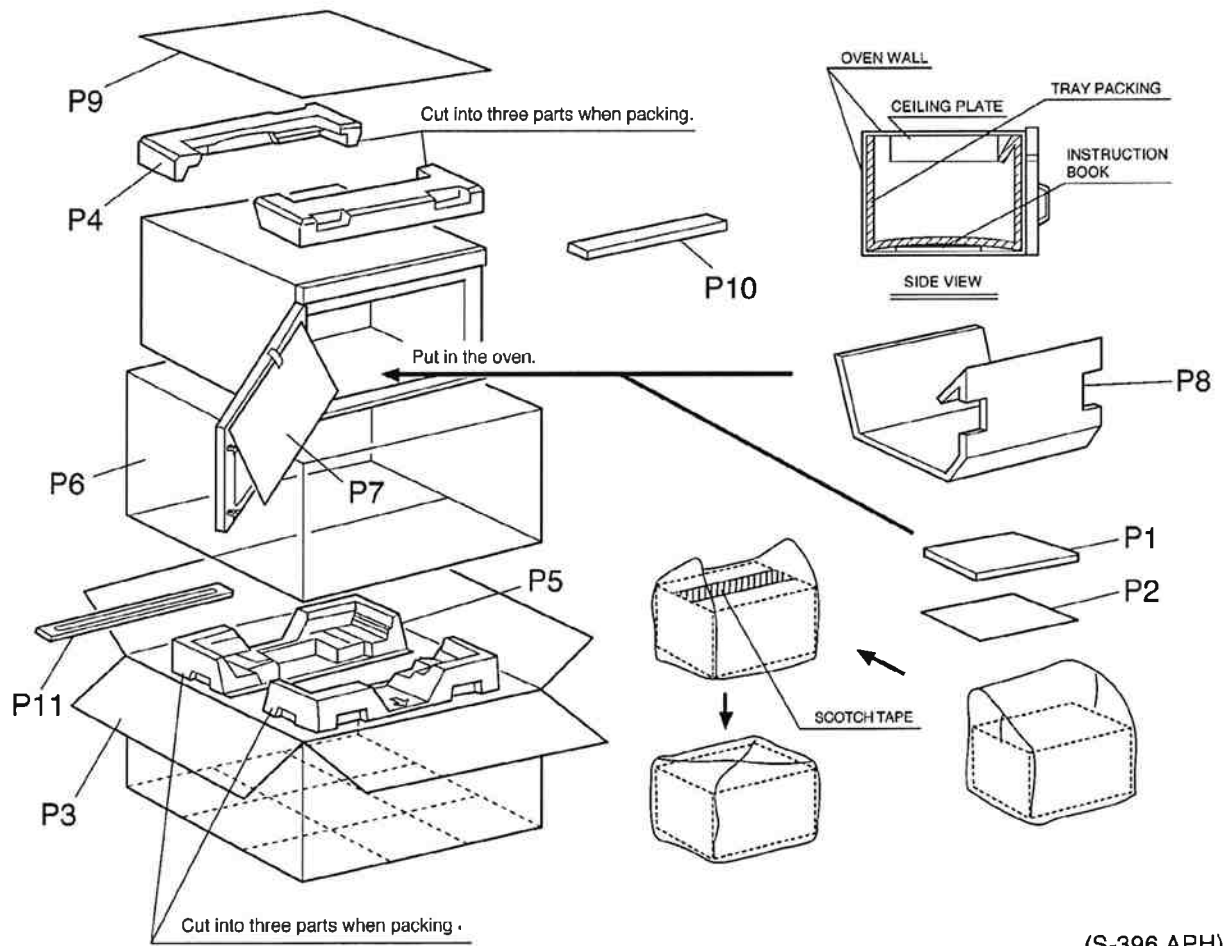
26 ESCUTCHEON BASE ASSEMBLY



(S-396 APH)

Ref. No.	Part No.	Part Name & Description	Pcs/ Set	Remarks
E1	A8337-3280	ESCUTCHEON SHEET	1	
E2	A603M3310GP	PC BOARD B (U)	1	
E3	A64793310QP	MEMBRANE SWITCH	1	
E4	A6590-3280	FLAT CABLE	1	
E5	ANE80018U0AP	ESCUTCHEON A	1	
E6	ANE80028U0AP	ESCUTCHEON B	1	
E7	ANE80068U0AP	ESCUTCHEON D	1	
E8	A800L3310QP	ESCUTCHEON BASE	1	

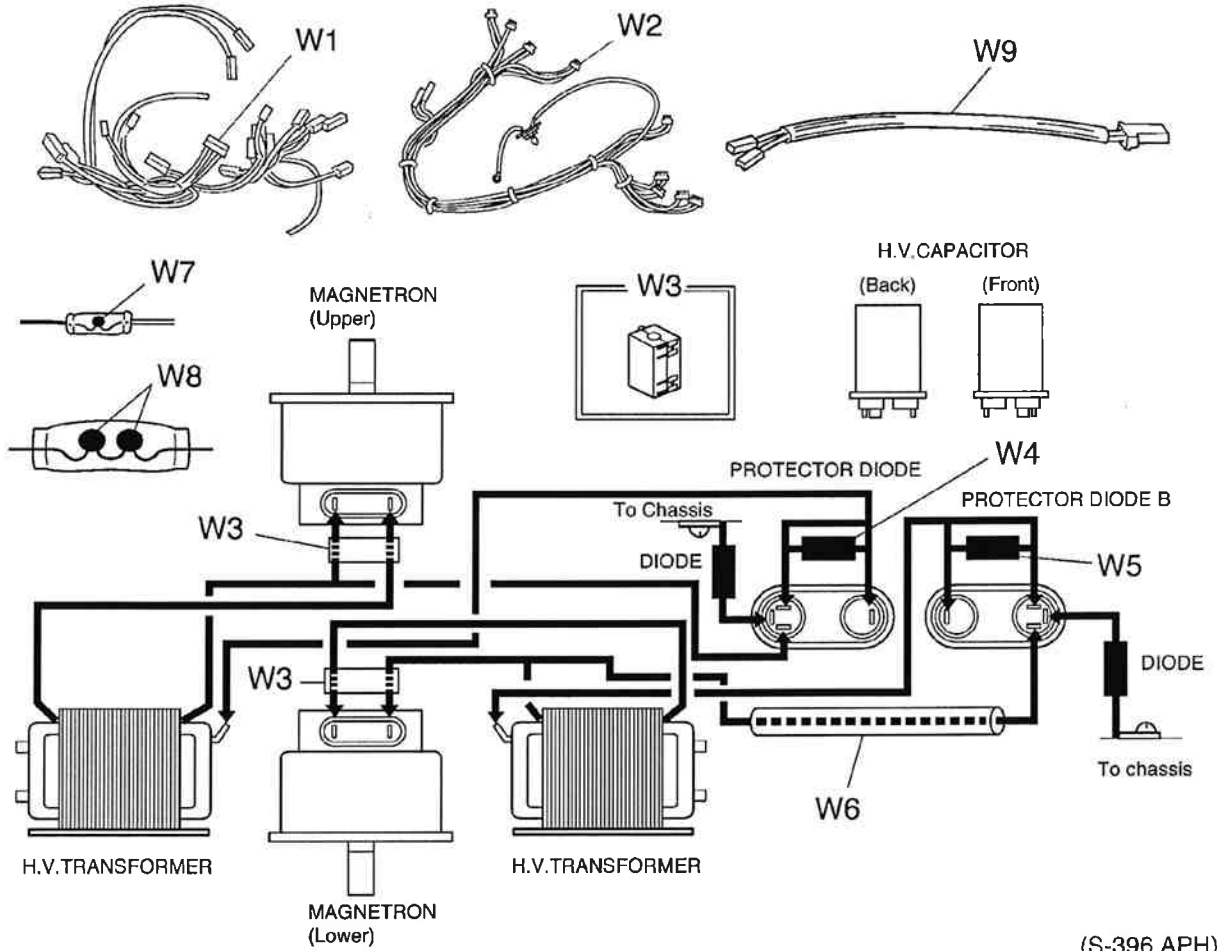
27 PACKING AND ACCESSORIES



(S-396 APH)

Ref. No.	Part No.	Part Name & Description	Pcs/ Set	Remarks
P1	A00033960CP	INSTRUCTION BOOK	1	NE-1257CR NE-1757CR NE-2157CR
P1	A00033960AP	INSTRUCTION BOOK	1	NE-1257R NE-1258R NE-1757R NE-2157R
P2	A04203960AP	OPERATING GUIDE	1	
P3	A01023960CP	PACKING CASE PAPER	1	NE-1257CR
P3	A01023960AP	PACKING CASE PAPER	1	NE-1257R
P3	A01023990AP	PACKING CASE PAPER	1	NE-1258R
P3	A01023970CP	PACKING CASE PAPER	1	NE-1757CR
P3	A01023970AP	PACKING CASE PAPER	1	NE-1757R
P3	A01023980AP	PACKING CASE PAPER	1	NE-2157R
P3	A01023980CP	PACKING CASE PAPER	1	NE-2157CR
P4	ANE01048U0AP	UPPER FILLER	1	
P5	ANE01058U0AP	LOWER FILLER	1	
P6	A01065200AP	VINYL COVER	1	
P7	ANE01072Q0AP	DOOR SHEET	1	
P8	A01083310GP	TRAY PACKING	1	
P9	ANE01268U0AP	REIN FORCE MATERIAL	1	
P10	A01453230BP	DOOR SHEET B	1	
P11	A1134-3280	FOOT BRACKET	1	

28 WIRING MATERIAL



(S-396 APH)

Ref. No.	Part No.	Part Name & Description	Pcs/ Set	Remarks
W1	A030A3960CP	LEAD WIRE HARNESS	1	NE-1257CR
W1	A030A3960AP	LEAD WIRE HARNESS	1	NE-1257R NE-1258R
W1	A030A3970CP	LEAD WIRE HARNESS	1	NE-1757CR
W1	A030A3970AP	LEAD WIRE HARNESS	1	NE-1757R
W1	A030A3980AP	LEAD WIRE HARNESS	1	NE-2157R NE-2157CR
W1	A030A3980CP	LEAD WIRE HARNESS	1	NE-2157CR
W2	A030H3960AP	LEAD WIRE HARNESS	1	
W3	A50966520UP	FERRITE CORE	2	NE-1257CR NE-1757CR NE-2157CR
W3	A50966520UP	FERRITE CORE	2	NE-1257CR NE-1757CR NE-2157CR
W3	A50966520UP	FERRITE CORE	2	NE-1257CR NE-1757CR NE-2157CR
W4	A606V3960AP	PROTECTOR DIODE	1	
W5	A606W3960AP	PROTECTOR DIODE B	1	
W6	A61393230BP	INSULATION TUBE	1	
W7	ERZC10DK471U	VARISTOR	1	
W8	ERZV10D112	VARISTOR	2	
W9	ANE0352-3280	LEAD WIRE	1	FOR ANTENNA MOTOR

29 REF. NO. 89 L. V. TRANSFORMER (U)

Ref. No.	Part No.	Part Name & Description	Pcs/ Set	Remarks
	ANE61158U0AP	POWER RELAYBRACKET	1	
	ANE65448U0AP	SPACER A	6	
	ANE65458U0AP	SPACER B	2	
	A6338-3280	INSULATION SHEET B	1	
	XYN3+P25S	SCREW	2	3X25
CN100	AEEMMF01F05W	CONNECTOR	1	5PIN
CN101	AEEMMF03F06W	CONNECTOR	1	6PIN
CN102	AEEMMD04907W	CONNECTOR	1	7PIN
CN103	AEEMMD04907R	CONNECTOR	1	7PIN RED
CN104	AEEMMF00703W	CONNECTOR	1	3PIN
CN105	AEEMMF00703R	CONNECTOR	1	3PIN RED
CN106	AEEMMD24910W	CONNECTOR	1	10PIN
D100 101 102 103 104 105	MA196-(TA5)	DIODE SI	6	NE-1257CR NE-1257R NE-1258R
D100 101 102 103 104 105 108	MA196-(TA5)	DIODE SI	7	NE-1757CR NE-1757R NE-2157R NE-1257CR
D106 107	AEDNERA1506	DIODE SI	2	
IC100 101	AETCP25011HL	IC	2	
R100 101 102 103	ERDS1TJ434T	CARBON FILM RESISTOR	4	430K 1/2W 5%
RY1	AEBG5B18P-1	POWER RELAY	1	△G5B-1-ER18
RY2	AEBG5B1E18	POWER RELAY	1	△G5B-1-E 18VDC
RY3 4 5	AEG5J1EM18B	POWER RELAY	5	△NE-1757CR NE-1757R NE-2157R NE-2157CR (G5J-1-TP-M-ER18)
RY3 4 6 7	AEG5J1EM18B	POWER RELAY	4	△NE-1257CR NE-1257R NE-1258R (G5J-1-TP-M-ER18)
T100	ETP43KZN41EN	L.V. TRANSFORMER	1	NE-1257CR NE-1257R NE-1258R
T100	ETP43KZN61DN	L.V. TRANSFORMER	1	NE-1757CR NE-1757R NE-2157R NE-2157CR
ZD101 102	AEDZ13ES2T1	DIODE SI	2	

30 REF. NO. 58 NOISE FILTER (U)

Ref. No.	Part No.	Part Name & Description	Pcs/ Set	Remarks
C504 505	ECKMNA222ME	CERAMIC CAPACITOR	2	△NE-1257CR NE-1757CR NE-2157CR (0.0022MF 250V)
C506	ECQU2A224MNA	POLYESTER CAPACITOR	1	NE-1257CR NE-1757CR 0.22MF 250V
D502	ERZV10D911E1	VARISTOR	1	NE-1257CR NE-1757CR
D503	ERZV10D182E2	VARISTOR	1	NE-1257CR NE-1757CR
D504	ERZV10D621CS	VARISTOR	1	NE-1257CR NE-1757CR
F500 501	A6116-3280	TERMINAL BOARD	1	NE-1257CR NE-1757CR
F500 501	A62316010BP	FUSE HOLDER	4	NE-1757CR
F501	A62316010BP	FUSE HOLDER	4	NE-1257CR
L500	A621A-1810	FILTER COIL	1	NE-1257CR NE-1757CR NE-1257CR

31 REF. NO. E2 P. C. BOARD (U)

Ref. No.	Part No.	Part Name & Description	Pcs/ Set	Remarks
CN250	AEMHLM21S	CONNECTOR	1	21PIN
DISP250	A64563080AP	FLOURESCENT TUBE	1	FV443
	ANB2848U2AP	SPACER	1	