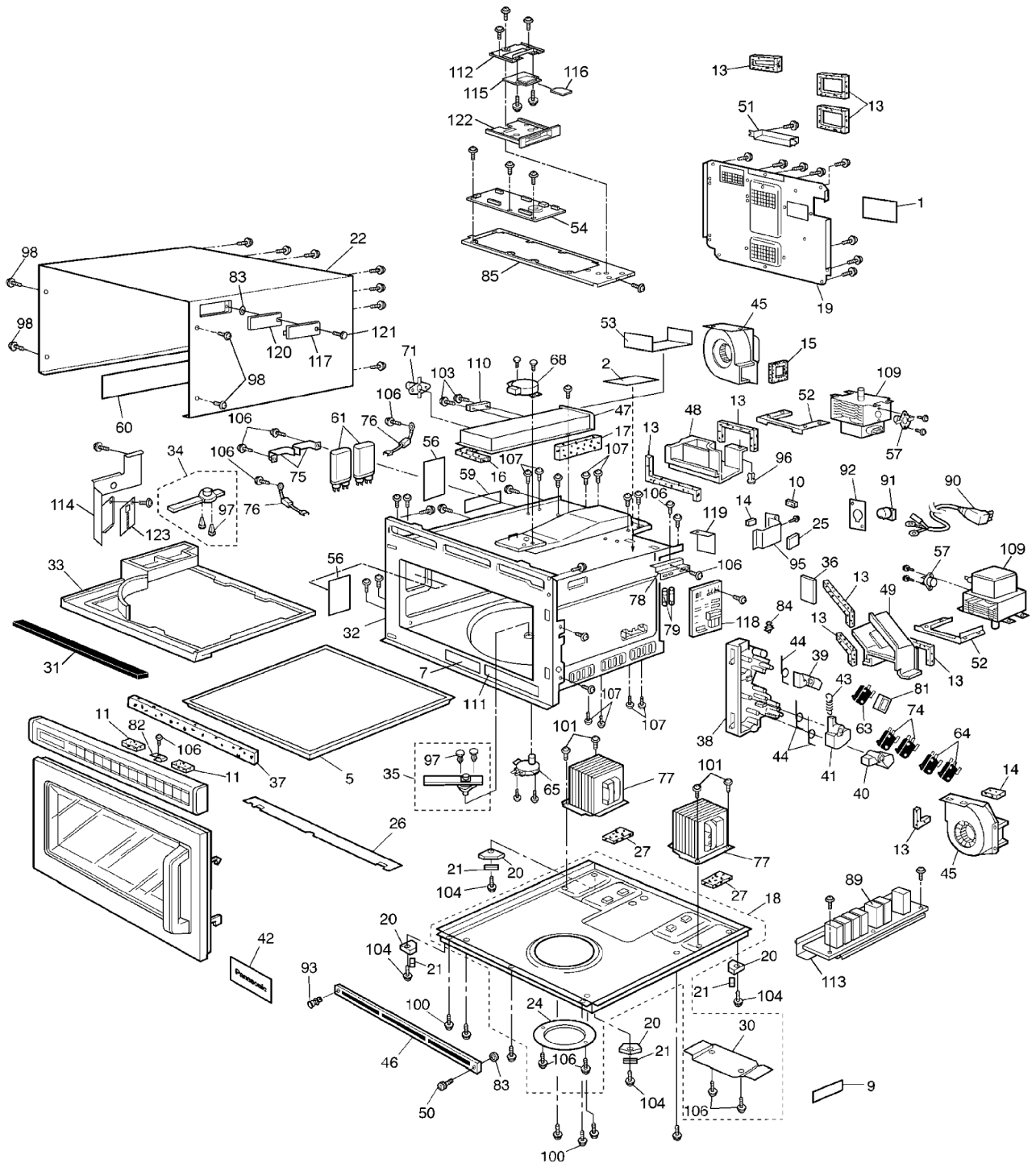


# 12 Exploded View and Replacement Parts List

## 12.1. Exploded view and parts list



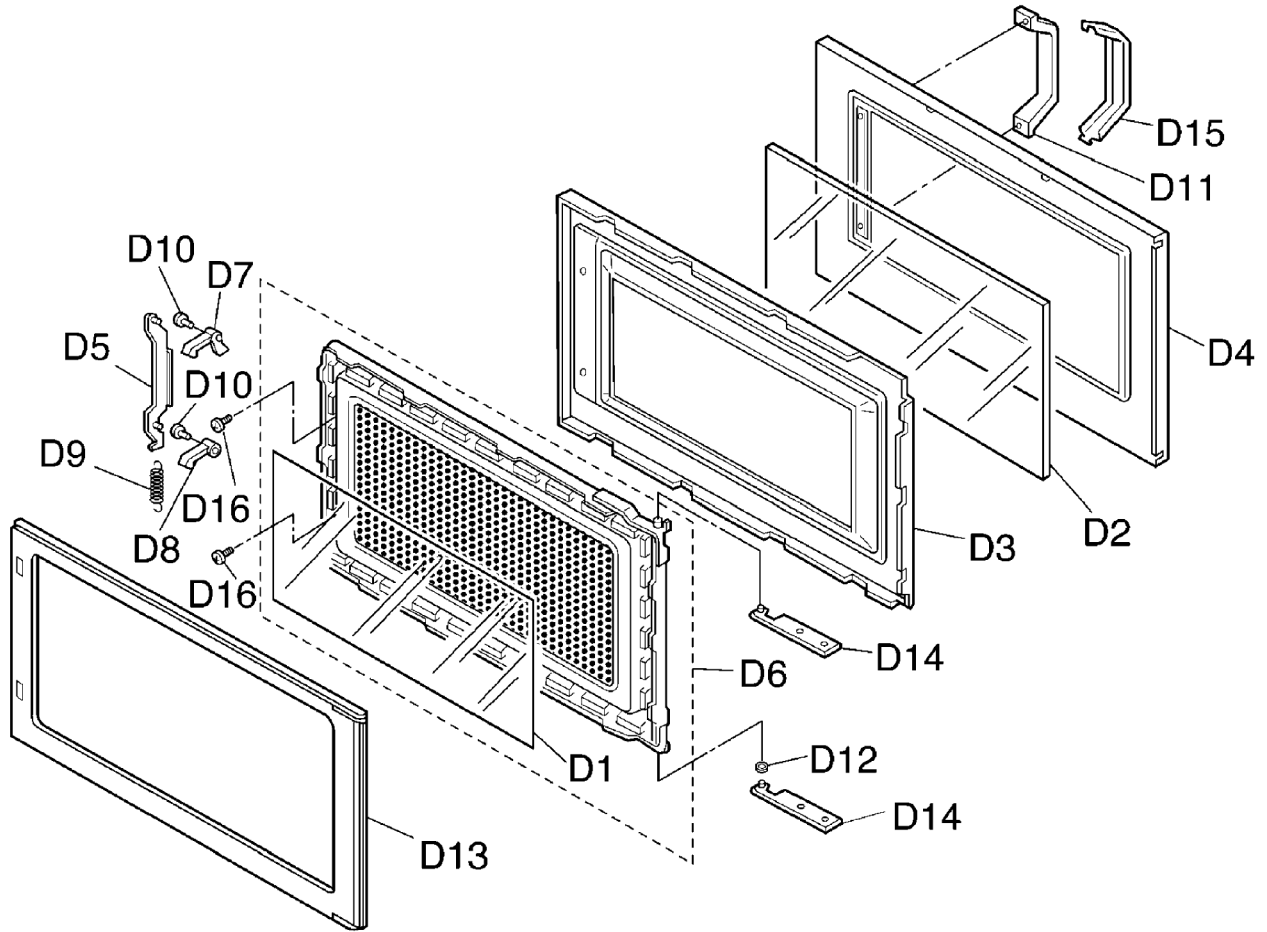
(S-3E8-APH)

Safety	Ref. No.	Part No.	Part Name & Description	Pcs/set	Remarks
	1	ANE00068U0CP	WARNING LABEL	1	NE-1252CPH,NE-1752CPR,NE-1772CPR ,NE-2152CPR
	1	A00063E80AP	WARNING LABEL	1	NE-12521APH, NE-12523APH,NE-17521APR,NE-17523APR,NE-17723APR, NE-21521APR, NE-21523APR
	2	A00333E80AP	FUSE LABEL	1	
	5	ANE010T8U0AP	SHELF	1	
	7	ANE01728U0CP	CAUTION LABEL	1	
△	9	A05243F00AP	NAME LABEL	1	NE-12521APH
△	9	A05243F40AP	NAME LABEL	1	NE-12523APH
△	9	A05243E80AP	NAME LABEL	1	NE-17521APR
△	9	A05243F30AP	NAME LABEL	1	NE-17523APR
△	9	A05243E90AP	NAME LABEL	1	NE-17723APR
△	9	A05243E60AP	NAME LABEL	1	NE-21521APR
△	9	A05243F20AP	NAME LABEL	1	NE-21523APR
	10	ANE0901000CD	CUSHION RUBBER A	1	
	11	ANE000Z000AD	CUSHION RUBBER A	5	
	13	ANE000Z000AA	CUSHION RUBBER C	10	
	14	ANE000Z000AD	CUSHION RUBBER C	4	
	15	ANE000Z000AB	CUSHION RUBBER C	1	
	16	ANE0962000AP	CUSHION RUBBER D	1	
	17	ANE0962000AV	CUSHION RUBBER D	6	
	18	A100A-3280	BASE	1	
	19	A100Q3E80AP	BACK PANEL	1	
	20	A1007-3280	FOOT	4	
	21	A1008-3280	RUBBER FOOT	4	
	22	A10093E80AP	CABINET BODY	1	NE-12521APH, NE-12523APH, NE-1252CPH, NE-17521APR, NE-17523APR, NE-1752CPR, NE-21521APR, NE-21523APR, NE-2152CPR
	22	A10093E90AP	CABINET BODY	1	NE-17723APR, NE-1772CPR
	24	ANE10288U0AP	ANTENNA MOTOR COVER	1	
	25	ANE10498U0AP	CUSHION RUBBER	1	
	26	ANE11268U0AP	BASE BRACKET	1	
	27	A10623E80AP	CUSHION RUBBER B	2	
	30	ANE11668U0AP	BASE METAL	1	
	31	ANE11748U0AP	SPACER	1	
△	32	A200A-3850	OVEN	1	
△	33	A2011-3470	CEILING PLATE	1	
	34	A202K-3850	ANTENNA	1	(UPPER)
	35	A202V3310GP	ANTENNA B	1	(LOWER) NE-12521APH, NE-12523APH, NE-1252CPH, NE-17521APR, NE-17523APR, NE-1752CPR, NE-17723APR, NE-1772CPR
	35	A202V-3850	ANTENNA B	1	(LOWER) NE-21521APR, NE-21523APR, NE-2152CPR
	36	ANE21208U0AP	SPACER	1	
	37	A8251-3180	SPACER	1	
△	38	A3020-3850	DOOR HOOK A	1	
△	39	A3136-3470	HOOK SPACER A	1	
△	40	A3137-3850	HOOK SPACER B	1	
△	41	A3138-3470	HOOK SPACER C	1	
	42	A31863F00AP	DOOR PANEL	1	NE-12521APH
	42	A31863F40AP	DOOR PANEL	1	NE-12523APH
	42	A31863F00CP	DOOR PANEL	1	NE-1252CPH
	42	A31863E80AP	DOOR PANEL	1	NE-17521APR
	42	A31863F30AP	DOOR PANEL	1	NE-17523APR
	42	A31863E80CP	DOOR PANEL	1	NE-1752CPR
	42	A31863E90AP	DOOR PANEL	1	NE-17723APR
	42	A31863E90CP	DOOR PANEL	1	NE-1772CPR
	42	A31863E60AP	DOOR PANEL	1	NE-21521APR
	42	A31863F20AP	DOOR PANEL	1	NE-21523APR
	42	A31863E60CP	DOOR PANEL	1	NE-2152CPR
	43	ANE32398U0AP	SPRING	1	
	44	ANE32628U0AP	SPRING	3	
	45	A400A3F00AP	FAN MOTOR	2	NE-12521APH, NE-12523APH, NE-1252CPH
	45	A400A3E80AP	FAN MOTOR	2	NE-17521APR, NE-17523APR, NE-1752CPR, NE-17723APR, NE-1772CPR, NE-21521APR, NE-21523APR, NE-2152CPR
	46	A400B-3280	AIR FILTER FLAME	1	
	47	A4024-3180	EXHAUST GUIDE A	1	
	48	ANE40258U0AP	AIR GUIDE A	1	
	49	ANE40268U0AP	AIR GUIDE B	1	
	50	A4091-3290	SCREW	1	FOR AIR FILTER FLAME
	51	A41073980AP	EXHAUST GUIDE B	1	
	52	ANE50328U0AP	MAGNETRON BRACKET	2	
	53	A50493E80CP	FIRE BARRIER	1	NE-1252CPH, NE-1752CPR, NE-1772CPR, NE-2152CPR

Safety	Ref. No.	Part No.	Part Name & Description	Pcs/set	Remarks
	54	A603L3E80AP	D.P.CIRCUIT (U)	1	NE-17521APR,NE-17523APR,NE-1752CPR
	54	A603L3E90AP	D.P.CIRCUIT (U)	1	NE-17723APR,NE-1772CPR
	54	A603L3F00AP	D.P.CIRCUIT (U)	1	NE-12521APH,NE-12523APH,NE-1252CPH
	54	A603L3E60AP	D.P.CIRCUIT (U)	1	NE-21521APR,NE-21523APR,NE-2152CPR
	56	ANE60408U0AP	OVEN LAMP SHEET	2	
△	57	ANE61458U0AP	THERMAL CUTOUT	2	150 °C 10A, MAGNETRON
	59	ANE60708U0BP	INSULATION SHEET A	1	
	60	A60713310BP	INSULATION SHEET B	1	
△	61	A63903F00AP	H.V.CAPACITOR	2	NE-12521APH,NE-12523APH,NE-1252CPH
△	61	A63903E80AP	H.V.CAPACITOR	2	NE-17521APR,NE-17523APR,NE-1752CPR,NE-17723APR,NE-1772CPR
△	61	A63903E60AP	H.V.CAPACITOR	2	NE-21521APR,NE-21523APR,NE-2152CPR
△	63	ANE6142-F60	MICROSWITCH	1	(V-15G-3C26) PRIMARY LATCH SWITCH
△	64	ANE61424L0AG	MICROSWITCH	2	(V-16G-3C26) SECONDARY LATCH SWITCH
	65	A6144-3E20	ANTENNA MOTOR	1	(LOWER) (2.5W)
	68	A6144-3E10	ANTENNA MOTOR	1	(UPPER) (2.5W)
△	71	A61454050AP	THERMAL CUTOUT	1	105 °C 15A, EXHAUST GUIDE
△	74	ANE61784L0AG	MICRO SWITCH	2	(V-16G-2C25) SHORT SWITCH
	75	ANE61888U0AP	CAPACITOR BRACKET	2	
△	76	A62024000AP	DIODE SI	2	NE-12521APH,NE-12523APH,NE-1252CPH,NE-17521APR,NE-17523APR,NE-1752CPR,NE-17723APR,NE-1772CPR
△	76	A6202-3280	DIODE SI	2	NE-21521APR,NE-21523APR,NE-2152CPR
△	77	A621B3F00AP	H.V.TRANSFORMER	2	NE-12521APH,NE-12523APH,NE-1252CPH
△	77	A621B3E80AP	H.V.TRANSFORMER	2	NE-17521APR,NE-17523APR,NE-1752CPR,NE-17723APR,NE-1772CPR
△	77	A621B3E60AP	H.V.TRANSFORMER	2	NE-21521APR,NE-21523APR,NE-2152CPR
	78	ANE62298U0AP	MOUNTING BRACKET	1	
△	79	A62303A60AP	FUSE	2	(15A)
	81	A62383230GP	SPACER	1	
	82	ANE64086Q0AP	WASHER	1	
	83	A6408-3280	WASHER	2	
	84	ANE65448U0AP	SPACER A	1	
	85	A6585-3B10	P.C.B.HOLDER	1	
△	89	A608B3E60AP	PCB M(U)	1	FOR POWER RELAYS
△	90	A900C3E80AP	AC CORD W/PLUG	1	NE-17521APR,NE-17523APR,NE-1752CPR,NE-17723APR,NE-1772CPR
△	90	A900C3F00AP	AC CORD W/PLUG	1	NE-12521APH,NE-12523APH,NE-1252CPH
△	90	A900C3E60AP	AC CORD W/PLUG	1	NE-21521APR,NE-21523APR,NE-2152CPR
	91	ANE902751ORN	CORD BUSHING	1	
	92	ANE9035P60AP	CORD BRACKET	1	
	93	ANE9035P60AP	CLIP (BLACK)	1	
	95	ANE91448U0AP	BRACKET	1	
	96	ANE91628U0AP	CLIP B	1	
	97	ANE91658V0AP	CLIP	4	
	98	XTC4+10BC	SCREW	4	(4X10) FOR CABINET BODY
	100	XTC4+12BKJ	SCREW (BLACK)	2	(4X12) FOR BASE
	101	XTEA5+10BJ	SCREW	4	(5X10) FOR H.V.TRANSFORMER
	103	XTWANE3+8EX	SCREW	2	(3X8) FOR TEMP SENSOR
	104	XTW3+8BJ	SCREW	4	(3X8) FOR FOOT
	106	XYD4+EE12FJ	SCREW	11	(4X12) FOR DIODE, CAPACITOR BRACKET, AC CORD, MOTOR COVER, BASE METAL ETC..
	107	XYEA5+C16TJ	SCREW	8	(5X16) FOR MAGNETRON
△	109	2M210-M1K1	MAGNETRON	2	NE-12521APH,12523APH,17521APR,NE-17523APR,NE-17723APR
△	109	2M210-M1J1	MAGNETRON	2	NE-1252CPH, NE-1752CPR,NE-1772CPR
△	109	2M261-M1J1Y	MAGNETRON	2	NE-21521APR,21523APR,2152CPR
△	110	A601L5150AP	TEMP SENSOR	1	
	111	ANE0245X00AP	DHHS LABEL	1	NE-12521APH,NE-12523APH,NE-17521APR,NE-17523APR,,NE-17723APR,NE-21521APR,NE-21523APR,
	111	A04115020CQ	CSA LABEL	1	NE-1252CPH,NE-1752CPR,NE-1772CPR,NE-2152CPR
	112	A8032-3D00	SD BRACKET	1	NE-1772CPR ,NE-17723APR
	113	A692R3F00AP	RELAY BRACKET U	1	NE-12521APH,NE-12523APH,NE-1252CPH
	113	A692R3E60AP	RELAY BRACKET U	1	NE-17521APR,NE-17523APR,NE-1752CPR,NE-17723APR,NE-1772CPR,NE-21521APR,NE-21523APR,NE-2152CPR
	114	A6603-3E10	LAMP BRACKET	1	FOR LED LIGHT PCB
	115	A605Q-3E40	PCB F(U)	1	NE-17723APR,NE-1772CPR
	116	RP-SDS128CS9	SD CARD	1	NE-17723APR,NE-1772CPR
	117	A1026-3290	COVER	1	FOR SD SLOT, NE-17723APR,NE-1772CPR
△	118	A603Y3E60AP	PCB D(U)	1	NE-17521APR,NE-17523APR,NE-21521APR,NE-21523APR,
△	118	A603Y3E60CP	PCB D(U)	1	NE-1752CPR,NE-17723APR,NE-1772CPR ,NE-2152CPR
△	118	A603Y3F00AP	PCB D(U)	1	NE-12521APH,NE-12523APH,

Safety	Ref. No.	Part No.	Part Name & Description	Pcs/set	Remarks
△	118	A603Y3F00CP	PCB D(U)	1	NE-1252CPH
	119	A61713A80BP	INSULATION SHEET D	1	
	120	A1221-3290	CUSHION RUBBER	1	FOR SD SLOT, NE-17723APR,NE-1772CPR
	121	A4898-3B40	SCREW	1	FOR SD SLOT COVER, NE-17723APR,NE-1772CPR
	122	A8357-3D00	ESCUTCHEON	1	FOR SD UNIT, NE-17723APR,NE-1772CPR
	123	A605S3E60AP	PCB H(U)	1	FOR LED LIGHT

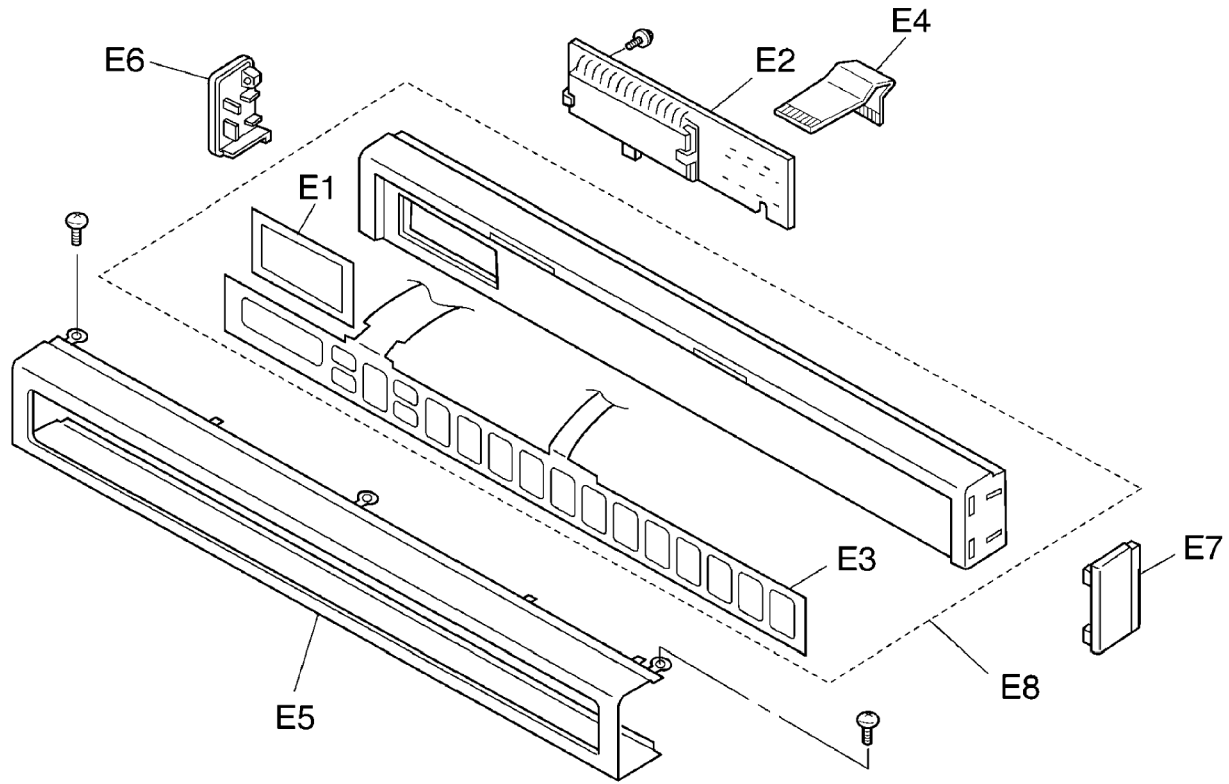
## 12.2. Door assembly



(S-396 APH)

Safety	Ref. No.	Part No.	Part Name & Description	Pcs/set	Remarks
△	D1	A3145-3500	DOOR SCREEN A	1	
	D2	ANE31468U0AP	DOOR SCREEN B	1	
	D3	ANE30038U0AP	DOOR FRAME (U)	1	
△	D4	ANE301A8U0AP	DOOR A	1	
	D5	A301H-3850	DOOR KEY LEVER B	1	
△	D6	A301Q-3500	DOOR E (U)	1	
	D7	A3018-3850	DOOR KEY A	1	
	D8	A3019-3850	DOOR KEY B	1	
	D9	ANE30218U0AP	DOOR KEY SPRING	1	
	D10	ANE30562Q0AP	HANDLE PIN	2	
	D11	A30703170GP	HANDLE PEICE A	1	
	D12	ANE3081P60AP	DOOR HINGE SPACER	1	
△	D13	ANE30858U0AP	DOOR C	1	
△	D14	ANE30078U0AP	HINGE	2	
	D15	ANE31348U0AP	HANDLE PEICE B	1	
	D16	XYEA4+C16T5J	SCREW	2	(4X16)

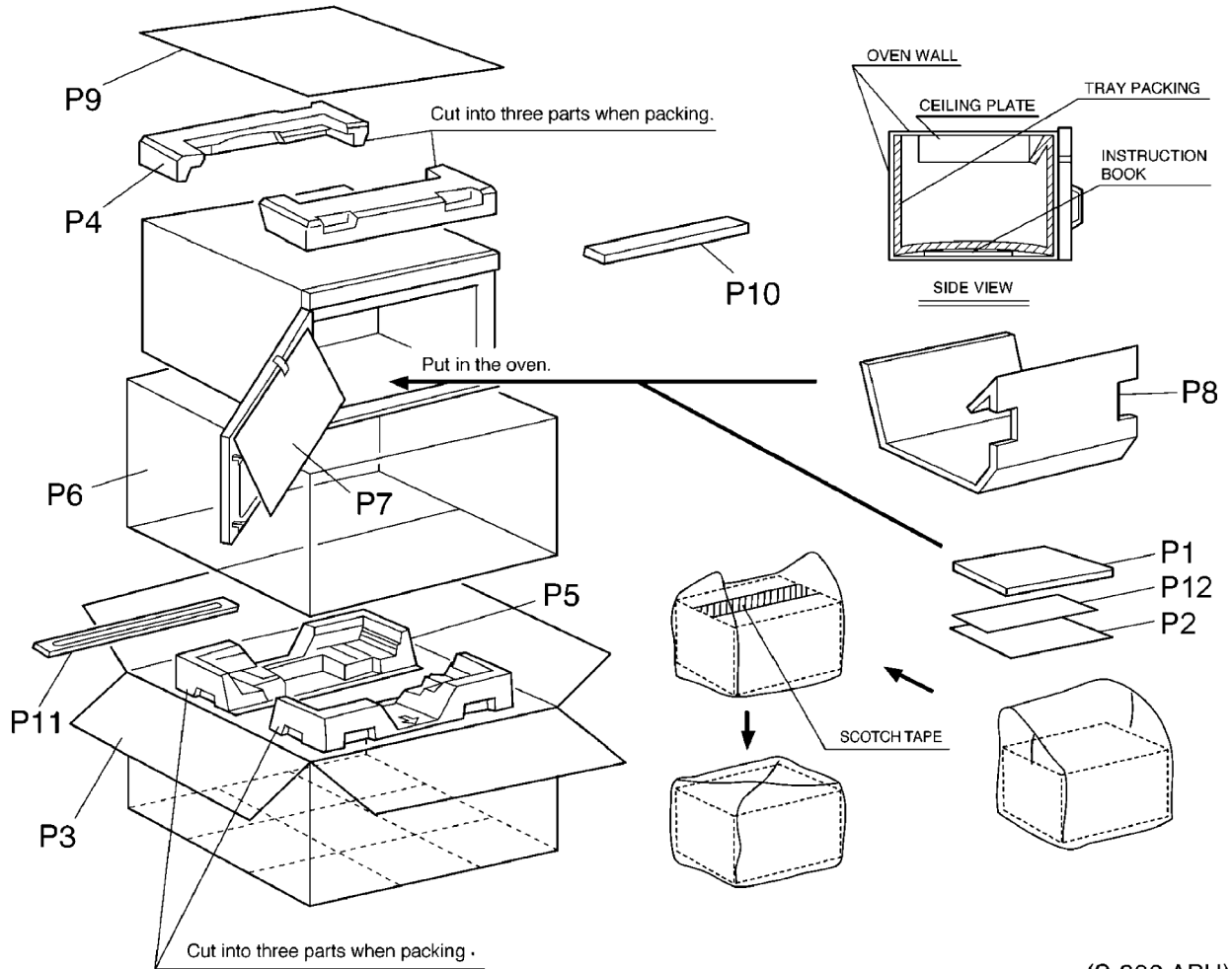
### 12.3. Escutcheon base assembly



(S-396 APH)

Safety	Ref. No.	Part No.	Part Name & Description	Pcs/set	Remarks
	E1	A83373E80AP	ESCUTCHEON SHEET	1	
	E2	A603M-3B10	PCB B(U)	1	FOR DISPLAY TUBE
	E3	A6479-3B10	MEMBRANE SWITCH	1	
	E4	A6590-3E10	FLAT CABLE	1	
	E5	ANE80018U0AP	ESCUTCHEON A	1	
	E6	A80023E20P3	ESCUTCHEON B	1	
	E7	A80063E20P3	ESCUTCHEON D	1	
	E8	A800L3E80AP	ESCUTCHEON BASE	1	

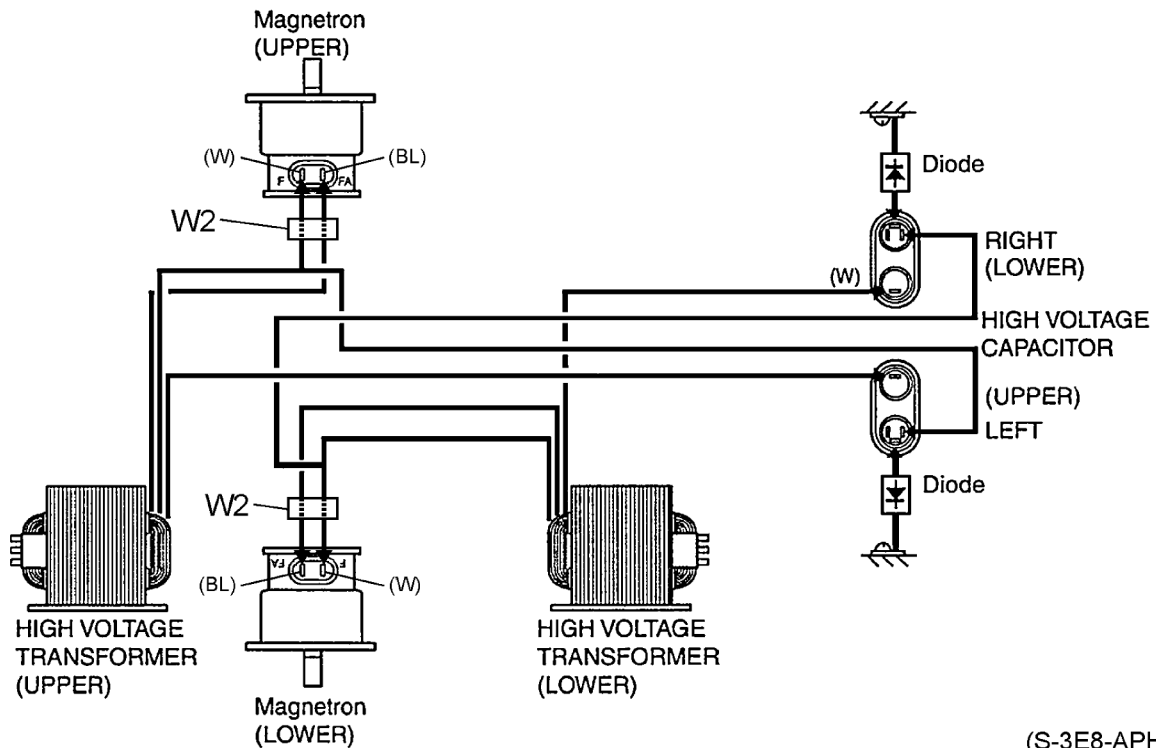
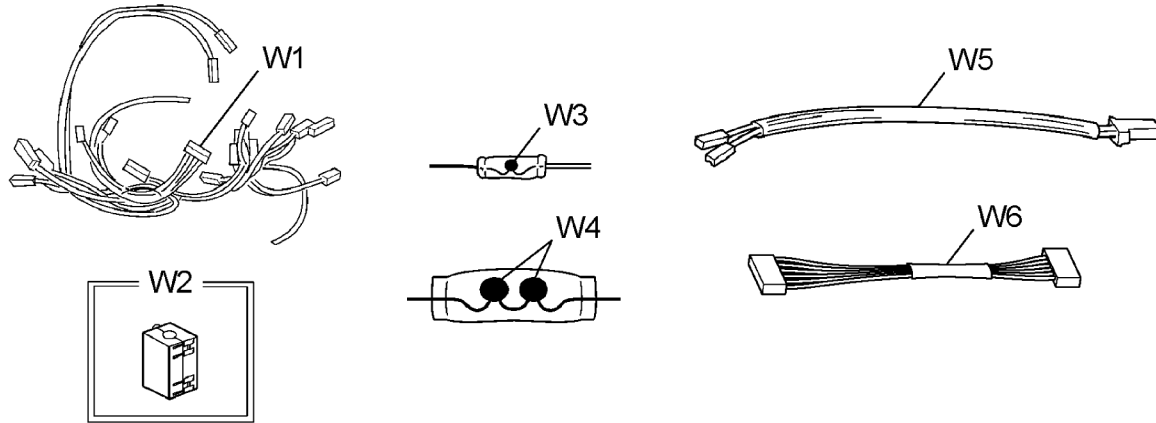
## 12.4. Packing and accessories



(S-396 APH)

Safety	Ref. No.	Part No.	Part Name & Description	Pcs/set	Remarks
⚠	P1	A00033E80CP	INSTRUCTION BOOK	1	NE-1252CPH, NE-1752CPR, NE-1772CPR, NE-2152CPR
⚠	P1	A00033E80AP	INSTRUCTION BOOK	1	NE-12521APH, NE-12523APH, NE-17521APR, NE-17523APR, NE-17723APR, NE-21521APR, NE-21523APR
	P2	A04203E80AP	OPERATING GUIDE	1	NE-12521APH, NE-12523APH, NE-17521APR, NE-17523APR, NE-17723APR, NE-21521APR, NE-21523APR
	P2	A04203E80CP	OPERATING GUIDE	1	NE-1252CPH, NE-1752CPR, NE-1772CPR, NE-2152CPR
	P3	A01023F00AP	PACKING CASE PAPER	1	NE-12521APH
	P3	A01023F40AP	PACKING CASE PAPER	1	NE-12523APH
	P3	A01023F00CP	PACKING CASE PAPER	1	NE-1252CPH
	P3	A01023E80AP	PACKING CASE PAPER	1	NE-17521APR
	P3	A01023F30AP	PACKING CASE PAPER	1	NE-17523APR
	P3	A01023E80CP	PACKING CASE PAPER	1	NE-1752CPR
	P3	A01023E90AP	PACKING CASE PAPER	1	NE-17723APR
	P3	A01023E90CP	PACKING CASE PAPER	1	NE-1772CPR
	P3	A01023E60AP	PACKING CASE PAPER	1	NE-21521APR
	P3	A01023F20AP	PACKING CASE PAPER	1	NE-21523APR
	P3	A01023E60CP	PACKING CASE PAPER	1	NE-2152CPR
	P4	A01043980AP	UPPER FILLER	1	
	P5	A01053980AP	LOWER FILLER	1	
	P6	A01065200AP	VINYL COVER	1	
	P7	ANE01072Q0AP	DOOR SHEET	1	
	P8	A01083310GP	TRAY PACKING	1	
	P9	A01263960AP	REINFORCE MATERIAL	1	
	P10	A01453230BP	DOOR SHEET B	1	
	P11	A1134-3280	FOOT BRACKET	1	
	P12	ANE00878U0AP	MEMO CARD	1	

## 12.5. Wiring material



(S-3E8-APH)

Safety	Ref. No.	Part No.	Part Name & Description	Pcs/set	Remarks
⚠	W1	A030A3F00AP	LEAD WIRE HARNESS	1	NE-12521APH, NE-12523APH
⚠	W1	A030A3F00CP	LEAD WIRE HARNESS	1	NE-1252CPH
⚠	W1	A030A3E80AP	LEAD WIRE HARNESS	1	NE-17521APR, NE-17523APR, NE-1752CPR, NE-17723APR, NE-1772CPR, NE-21521APR, NE-21523APR, NE-2152CPR
	W2	A50966520UP	FERRITE CORE	2	NE-1252CPH, NE-1752CPR, NE-1772CPR, NE-2152CPR
	W3	ERZC10DK471U	VARISTOR	1	
	W4	ERZV10D112	VARISTOR	2	
	W5	ANE0352-3280	LEAD WIRE	1	FOR ANTENNA MOTOR
	W6	A03823E90AP	LEAD WIRE	1	FOR PCB A(U), PCB F(U), NE-17723APR, NE-1772CPR