



**IMPORTANT FOR FUTURE REFERENCE**

Please complete this information and retain this manual for the life of the equipment:

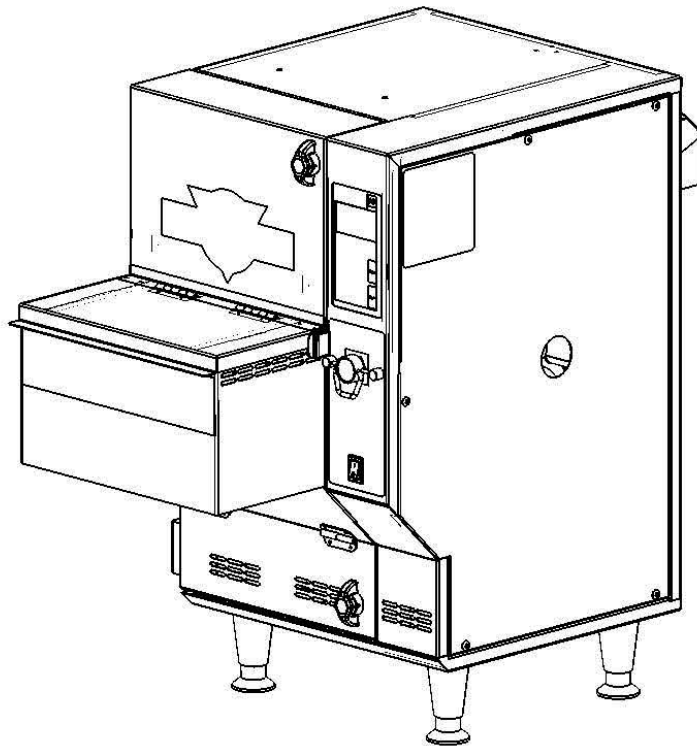
Model #: \_\_\_\_\_

Serial #: \_\_\_\_\_

Date Purchased: \_\_\_\_\_

# EXPLODED PARTS MANUAL

PFA / PFC / SFC MODELS  
MAY 2013



PAGE LEFT BLANK INTENTIONALLY

## **WARNING**

DO NOT store or use gasoline or other flammable vapors and liquids in the vicinity of this or any other appliance.

## **WARNING**

Improper installation, alteration, service or maintenance can cause property damage, injury or death. Read the installation, operating and maintenance instructions thoroughly before installing or servicing this appliance.

## **WARNING**

Installation, maintenance and repairs should be performed by a Perfect Fry Authorized Service and Parts (ASAP) company technician or other qualified personnel. Installation, maintenance or repairs by an unauthorized and unqualified personnel will void the warranty.

## **WARNING**

Installation and all connections must be made according to national and local regulations and codes in force.

## **WARNING**

A country approved all pole circuit breaker with a minimum open contact gap of 3mm must be used for proper installation. (CE countries)

## **WARNING**

During the warranty period if a customer elects to use a non-original part or modifies an original part purchased from Perfect Fry and/or its Authorized Service and Parts (ASAP) companies, this warranty will be void. In addition, Perfect Fry and its affiliates will not be liable for any claims, damages or expenses incurred by the customer which arises directly or indirectly, in whole or in part, due to the installation of any modified part and/or received from an unauthorized service center.

## **WARNING**

This appliance, when installed, must be electrically grounded in accordance with local codes, or in the absence of local codes, with the National Electrical Code, ANSI/NFPA 70, or the Canadian Electrical Code, CSA C22.2, as applicable.

## **WARNING**

Adequate means must be provided to LIMIT the movement of this appliance without depending on the electrical cord connection. Single appliances equipped with legs must be stabilized by installing anchor straps. All appliances equipped with casters must be stabilized by installing restraining chains.

## **WARNING**

This appliance is intended for professional use only and should be operated by fully trained and qualified personnel.

## **WARNING**

If the supplied power cord is damaged, it must be replaced by a Perfect Fry Authorized Service and Parts (ASAP) company technician, or a similarly qualified person in order to avoid a hazard.

## **WARNING**

The power supply must be disconnected before servicing, maintaining or cleaning this appliance.

## **WARNING**

The appliance is NOT jet stream approved. DO NOT clean the appliance with a water jet.

## **WARNING**

DO NOT attempt to move this appliance or transfer hot liquids from one container to another when the unit is at operating temperature or filled with hot liquids. Serious personal injury could result if skin comes in contact with the hot surfaces or liquids.

## **WARNING**

DO NOT sit or stand on this appliance. Serious injury could result from slipping, falling or contact with hot surfaces or liquids.

## **WARNING**

NEVER use the appliance as a step for cleaning or accessing the ventilation hood. Serious injury could result from slips, trips or from contacting hot surfaces or liquids.

## **WARNING**

DO NOT use the appliance unless it is properly secured to a table, stand or freezer / refrigerated base suited to handle the weight of the entire appliance.

## **WARNING**

DO NOT operate appliance unless all panels and access covers are attached correctly.

## **WARNING**

It is recommended that this appliance be inspected by a qualified service technician for proper performance and operation on a yearly basis.

**PFA MODEL EXPLODED.....4**

**PFC MODEL EXPLODED.....5**

**SFC MODEL EXPLODED.....6**

**PFA DOOR ASSEMBLY.....7**

**PFC / SFC DOOR ASSEMBLIES.....8**

**PERFECT FRY FILTER AREA.....9**

**PERFECT FRY MOTOR ASSEMBLIES**

**PFA / PFC MOTOR ASSEMBLIES.....10**

**PFA / PFC MOTOR BOMS.....11**

**SFC MOTOR ASSEMBLIES.....12**

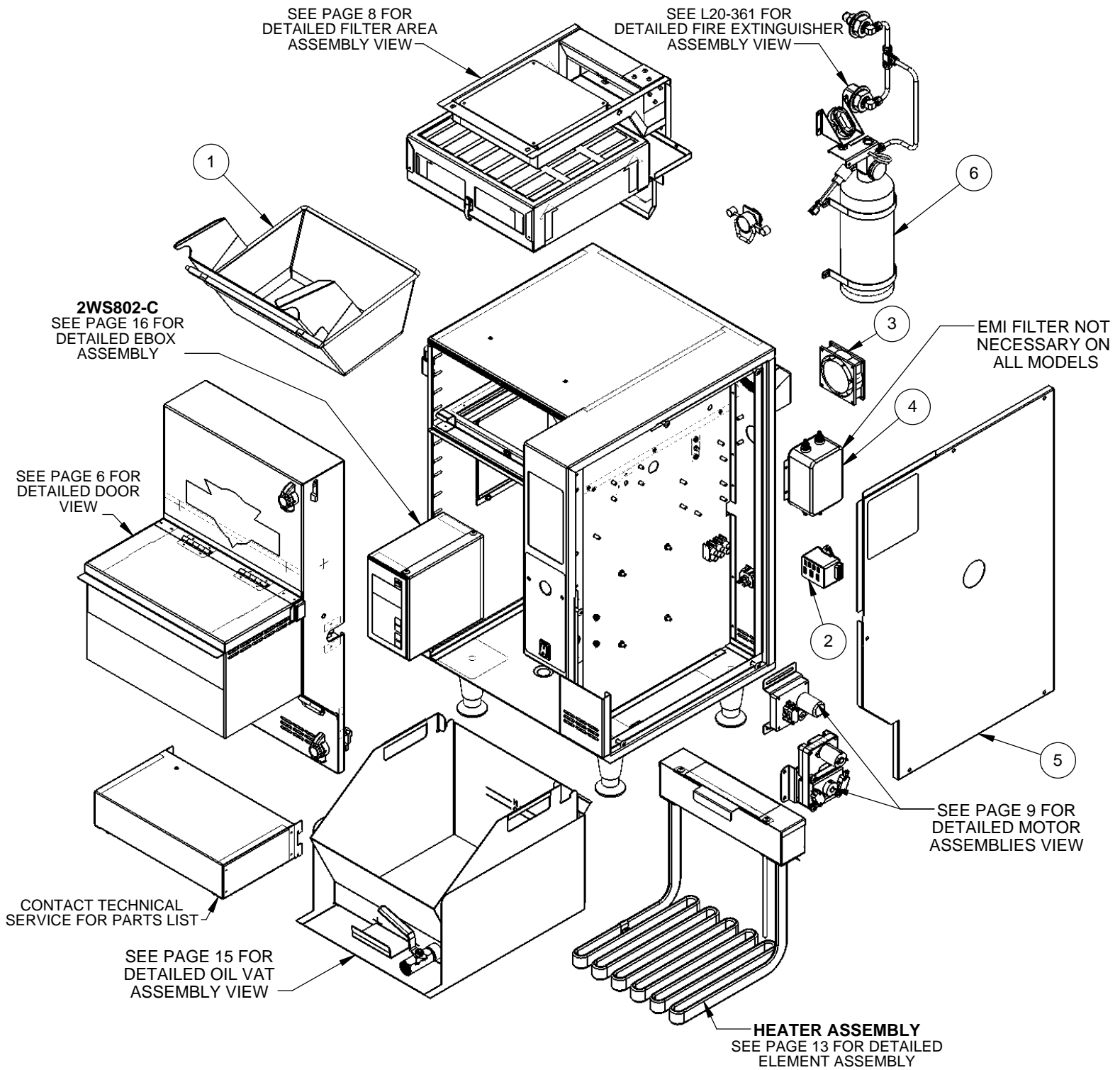
**PERFECT FRY ELEMENT ASSEMBLIES**

**FLAT BAR ELEMENT ASSEMBLIES.....13**

**TUBULAR ELEMENT ASSEMBLIES.....14**

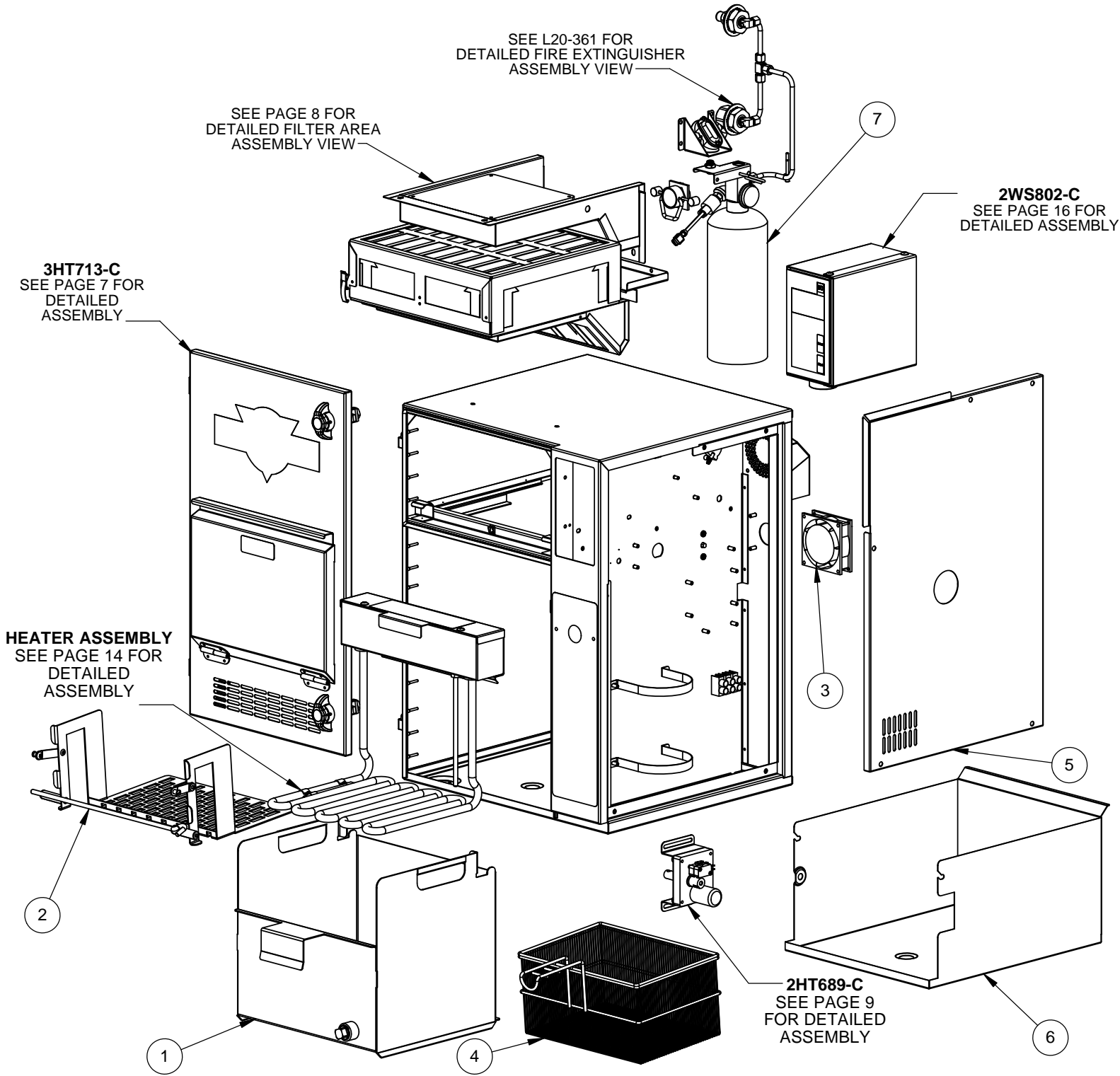
**PERFECT FRY OIL VAT ASSEMBLIES.....15**

**PERFECT FRY ELECTRONICS BOX ASSEMBLY.....16**

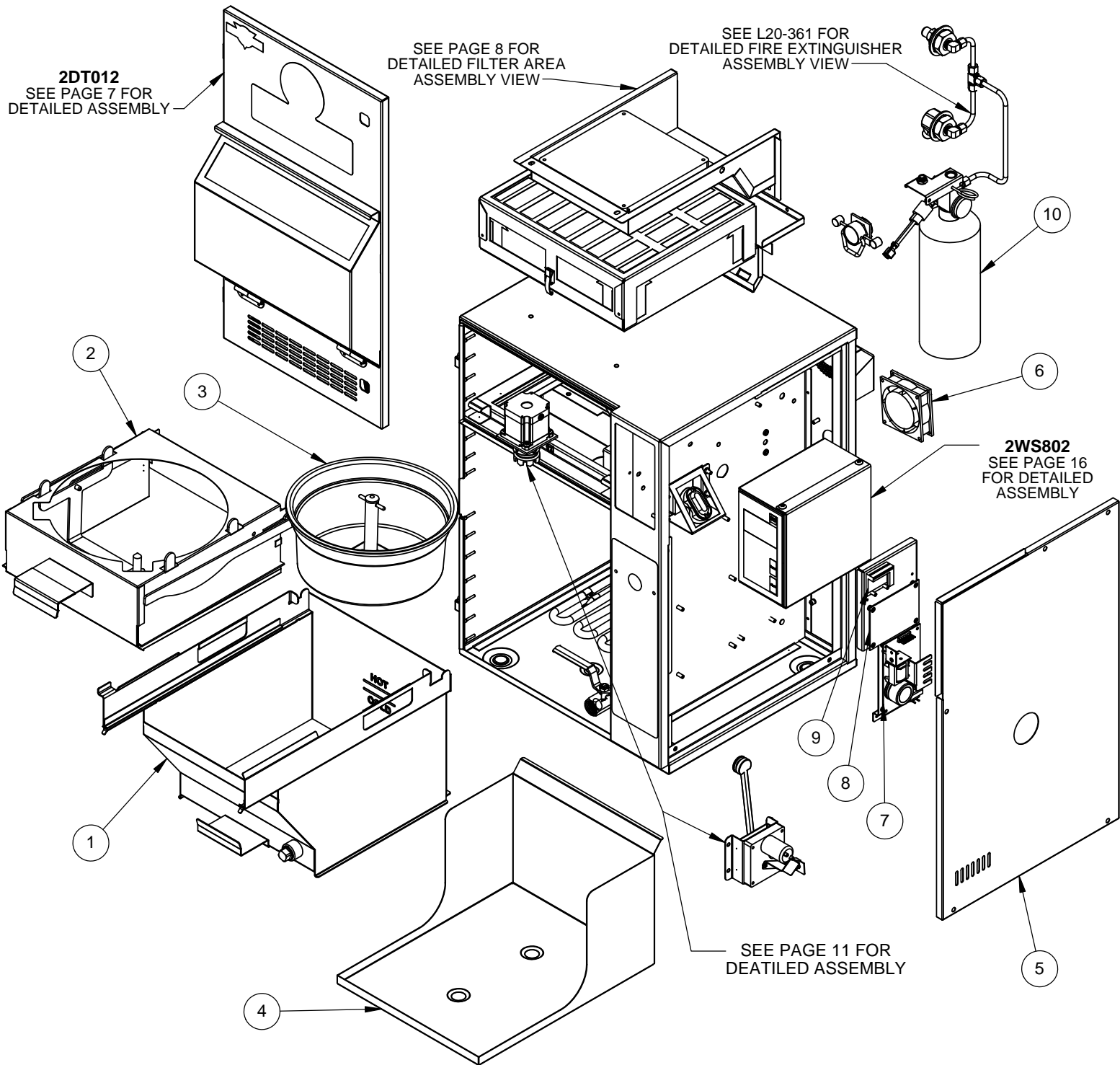


PARTS LIST

ITEM NO.	PART NO.	DESCRIPTION	QTY
1	3BA001	ASSEMBLY, BASKET PFC	1
2	3CT765-C	KIT, ASSEMBLY FEMALE CONNECTOR	1
3	2DT952	KIT, CONTROL FAN	1
4	6WT903	FILTER, EMI 30A	1
5	6SA014-C	PANEL, CONTROL ACCESS PFA	1
6	2DT943-C	KIT, FIRE MASTER WET CHEMICAL	1
NS	2DT002-CL	KIT, FIRE ALARM WITH INSTRUCTIONS	-
NS	2DT965	KIT, GASKET FRONT PFA	-
NS	2DT953-C	KIT, FRONT PANEL SWITCH	-
NS	2DT954	KIT, GREASE FILTER/DOOR SWITCH	-
NS	6HT646	SWITCH, AIRFLOW	1



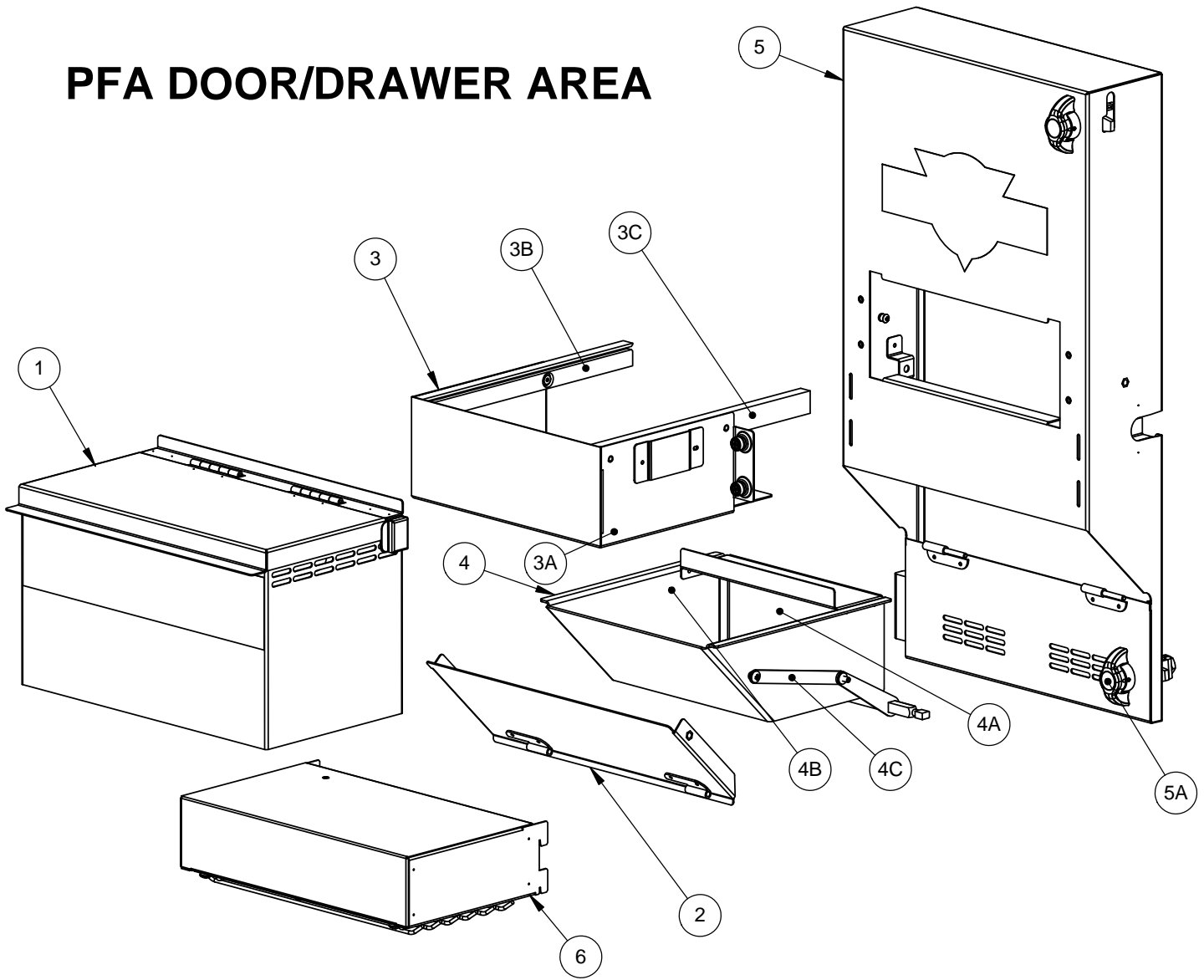
PARTS LIST			
ITEM NO.	PART NO.	DESCRIPTION	QTY
1	2DT005-C	ASSEMBLY, VAT PFC	1
2	3HT740-C	ASSEMBLY, BASKET LIFT PFC	1
3	2DT952	KIT, CONTROL FAN	1
4	6HT905	BASKET, EXTRA LARGE PFC	1
5	6ST732-C	PANEL, CONTROL ACCESS PFC	1
6	6ST734-C	TRAY, SPILL PFC	1
7	2DT943-C	KIT, FIREMASTER WET CHEMICAL	1
NS	3CT765-C	ASSEMBLY, FEMALE CONNECTOR	1
NS	6HT002	KIT, COVER X-L BASKET	1
NS	2DT959	KIT, GASKET FRONT PFC	-
NS	2DT969-C	KIT, FEET RUBBER PFC / SFC	-



PARTS LIST

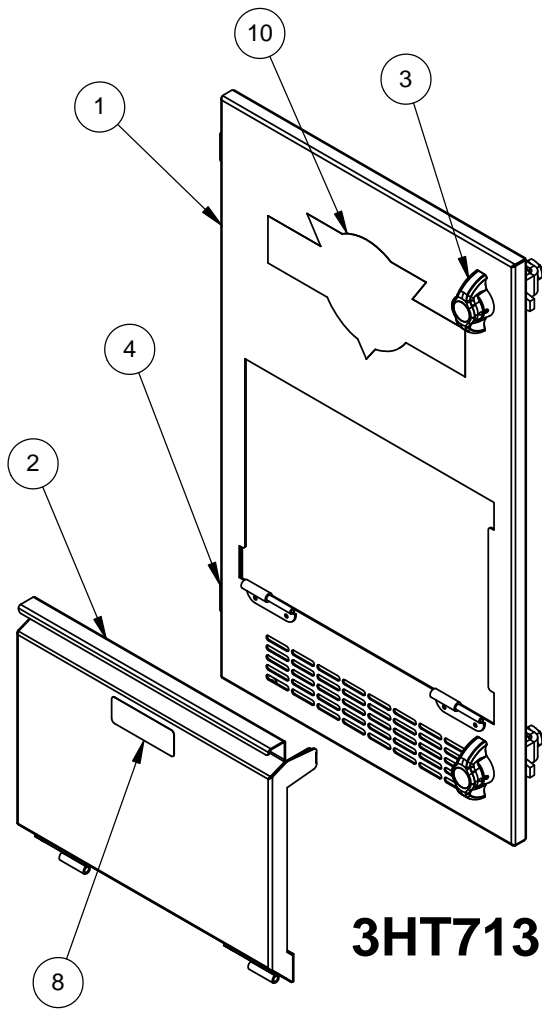
ITEM NO.	PART NO.	DESCRIPTION	QTY
1	2DT009-C	ASSEMBLY, KIT VAT SPINFRESH	1
2	2DT010-C	ASSEMBLY, DRAWER - CRADLE	1
3	3BA002-C	BASKET, SPINFRESH ASSEMBLY PF	1
4	6SS002-C	TRAY, SPILL SFC	1
5	6SS020-C	PANEL, CONTROL ACCESS SFC	1
6	2DT952	KIT, CONTROL FAN	1
7	6WS001	BOARD, POWER SUPPLY SFC	1
8	3WT006	PCB ASSEMBLY, ROTARY SVC PART ON	1
9	60174001	DRVR, STEPPER MOTOR 3.5A 50V	1
10	2DT943-C	KIT, FIREMASTER WET CHEMICAL	1
NS	3CT765-C	ASSEMBLY, FEMALE CONNECTOR	1
NS	8ET900-C	MODULE, HEATER 5700W 240V	1
NS	6HS013	HANDLE, BASKET SFC	1
NS	6HS016	COVER, BASKET SFC	1
NS	6HS017	BASKET, QUAD INSERT SFC	1

# PFA DOOR/DRAWER AREA



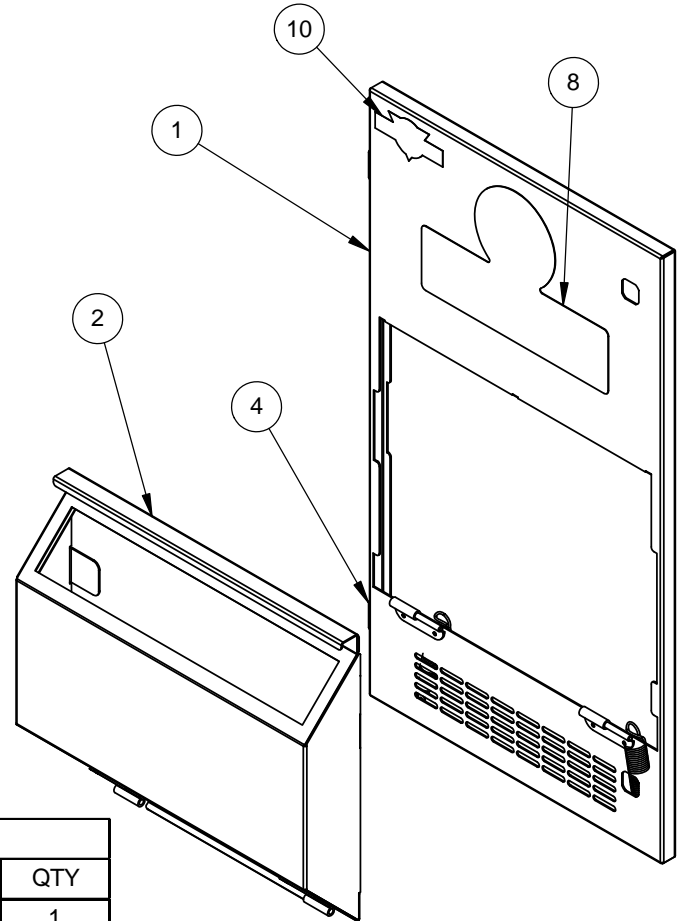
PARTS LIST			
ITEM NO.	PART NO.	DESCRIPTION	QTY
1	2DT007-C	ASSEMBLY, DRAWER AND LID	1
2	6SA021-C	RAMP BASKET PFA	1
3	2DT008-C	ASSEMBLY, DRAWER SLEEVE	1
3A	6SA010-C	SLEEVE DRAWER ASSEMBLY	1
3B	6SA023	GUIDE, DRAWER LEFT PFA	1
3C	6SA024	GUIDE, DRAWER RIGHT PFA	1
4	2DT941-C	ASSEMBLY, SHOVEL DRAWER PFA	1
4A	3DA001	ASSEMBLY, DRAWER DOOR	1
4B	6SA009-C	ASSEMBLY, SHOVEL	1
4C	6SA006-C	ARM UPPER DRAWER	2
5	2DT950-C	ASSEMBLY, FRONT PANEL PFA	1
5A	6DA100	LATCH, VICE WING NON-LOCKING	2
NS	6DA101	LATCH, VICE WING LOCKING	OPTION
NS	6HA010	SPRING, BASKET RAMP PFA	2
6	CALL	HEAT LAMP ASSEMBLY (COUNTRY SPECIFIC)	





**3HT713-C**

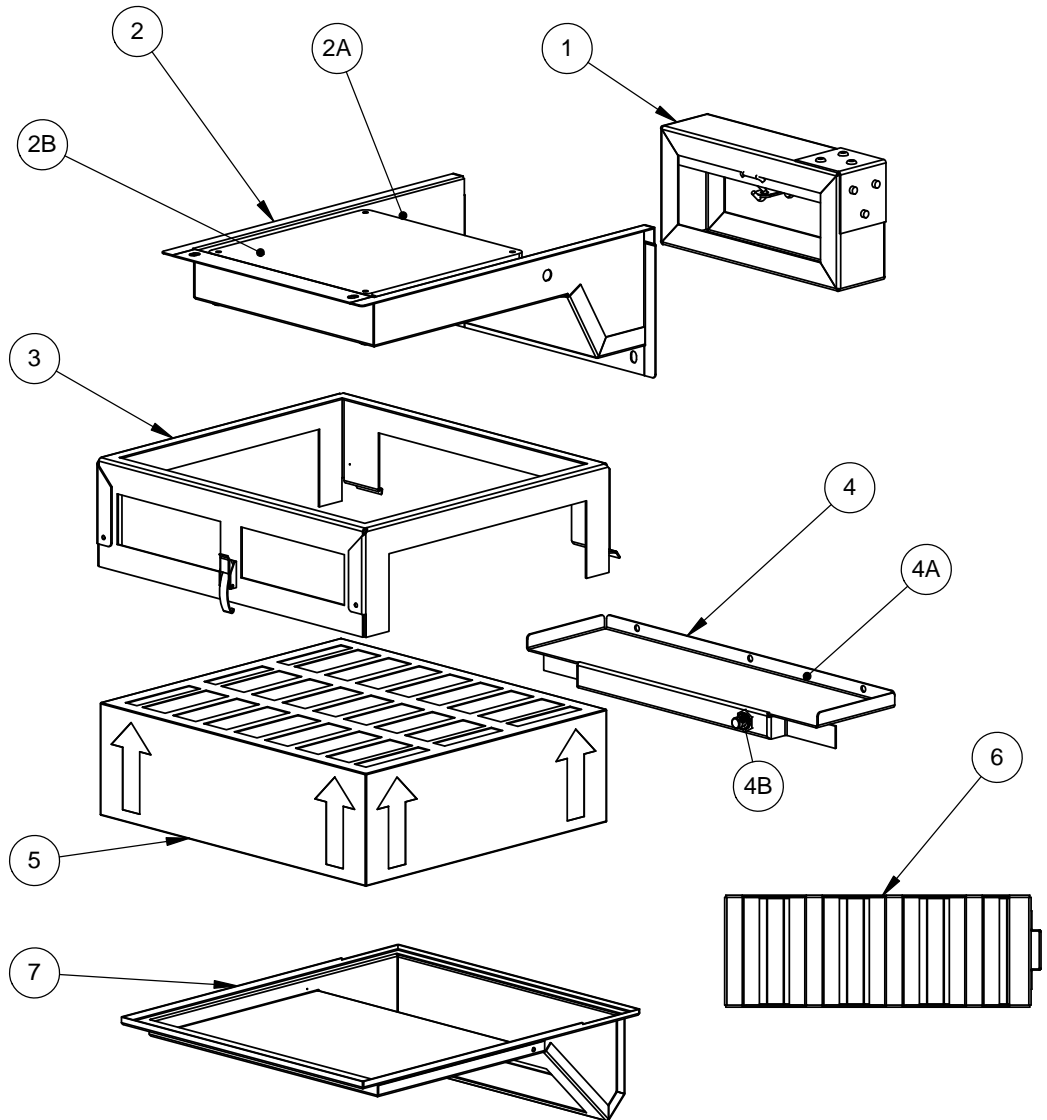
3HT713 PARTS LIST			
ITEM NO.	PART NO.	DESCRIPTION	QTY
1	6ST814-C	PANEL FRONT	1
2	6ST716-C	DOOR FRONT ASSEMBLY PFC	1
3	6DA100	LATCH, VICE WING NON-LOCKING	2
4	2DT961	HINGE MINI LIFT OFF	1
NS	2DT957	SPRING EXTENSION DOOR	1
NS	6NT830	SCREW, 6-32 X .250 BUTTON SOC CAP	4
NS	6NV175	WASHER, LOCK #6 INTERNAL TOOTH	4
8	6LT841	LABEL, CAUTION HOT	1
NS	6LT002	LABEL, MAINTAINANCE GUIDE PFC	1
10	6LT893	LABEL, PERFECT FRY LOGO LARGE	1



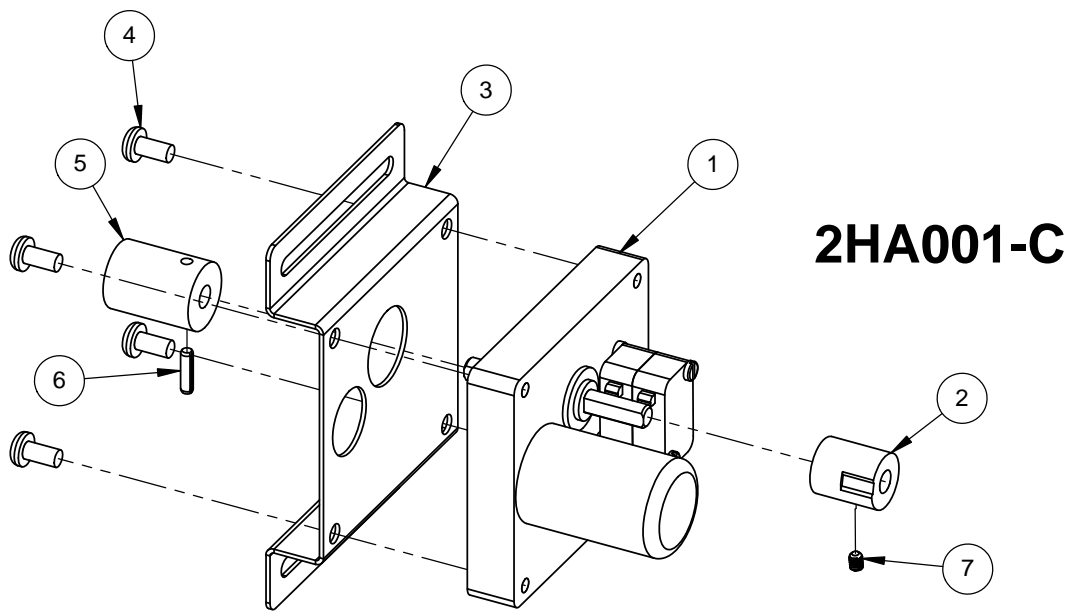
**2DT012-C**

2DT012 PARTS LIST			
ITEM NO.	PART NO.	DESCRIPTION	QTY
1	6SS010-C	PANEL,FRONT ASSEMBLY	1
2	6SS011-C	DOOR FRONT ASSEMBLY	1
3	6DA100	LATCH, VICE WING NON-LOCKING	2
4	2DT961	HINGE MINI LIFT OFF	1
NS	6NT830	SCREW, 6-32 X .250 BUTTON SOC CAP	4
NS	6NV175	WASHER, LOCK #6 INTERNAL TOOTH	4
NS	6HT718	SPRING EXTENSION DOOR	2
8	6LS003	LBL,SPINFRESH FRONT PANEL	1
NS	6LS001	LABEL, QUICK REFERENCE GUIDE	1
10	6LM002	LABEL, PERFECT FRY LOGO SMALL	1

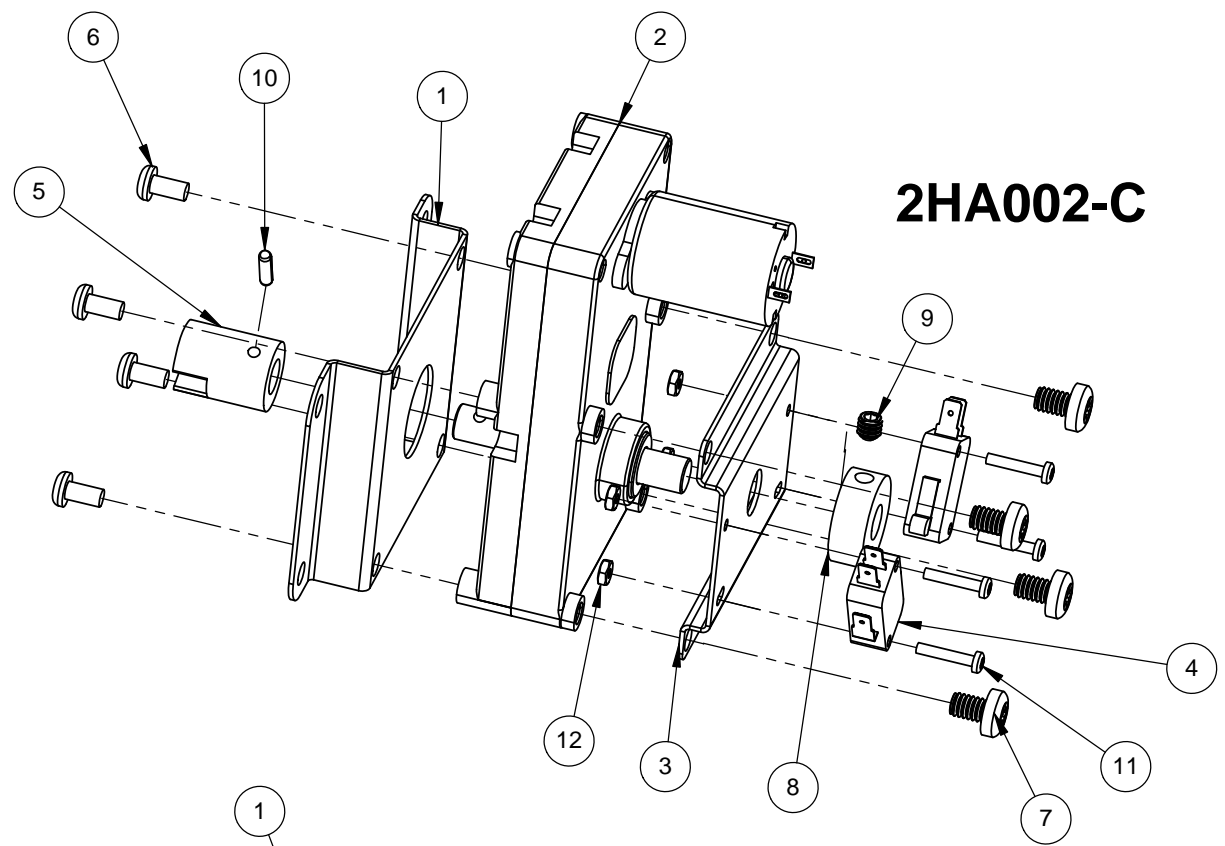
# PERFECT FRY FILTER AREA



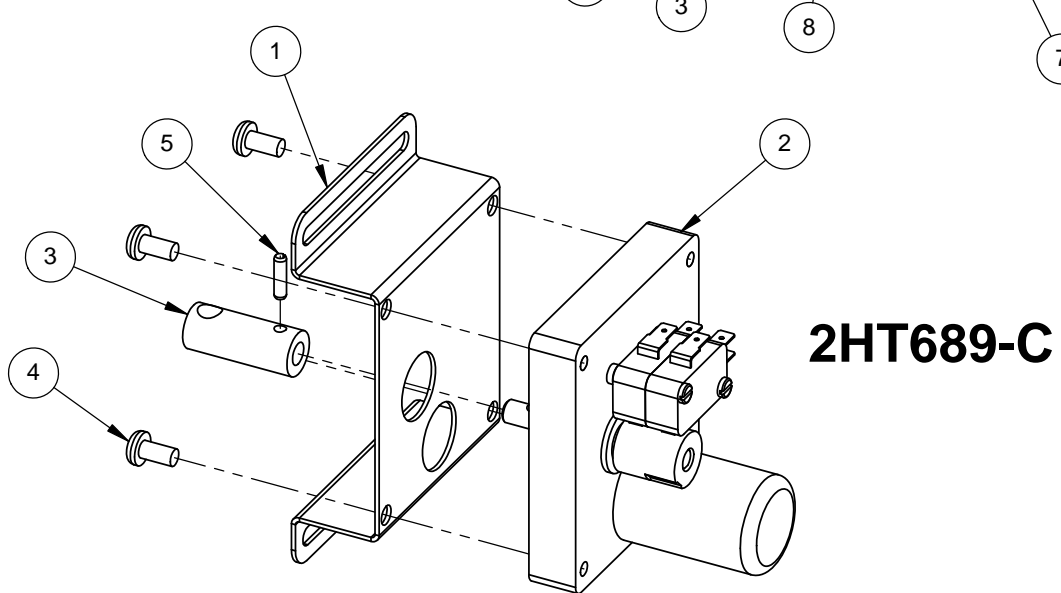
PFA FILTER AREA PARTS LIST			
ITEM NO.	PART NO.	DESCRIPTION	QTY
1	6HT588	DAMPER, FIRE ACTUATED	1
2	2HT723-C	ASSEMBLY, AIRFLOW MODULE	1
2A	6ST719-C	SHROUD FAN/DAMPER	1
2B	2DT951-C	FAN, MAIN 12V	1
3	6ST730-C	BRACKET, FILTER CAGE	1
4	2DT955-C	ASSEMBLY, AIR FILTER SWITCH	1
4A	6ST891-C	BRACKET, AIR FILTER SWITCH	1
4B	6HT726	SWITCH, AIR FILTER	1
5	2FV803	KIT, FILTER REPLACEMENT	1
6	3HT727	ASSEMBLY, GREASE FILTER	1
7	6ST728	TRAY, GREASE FILTER	1



**2HA001-C**



**2HA002-C**



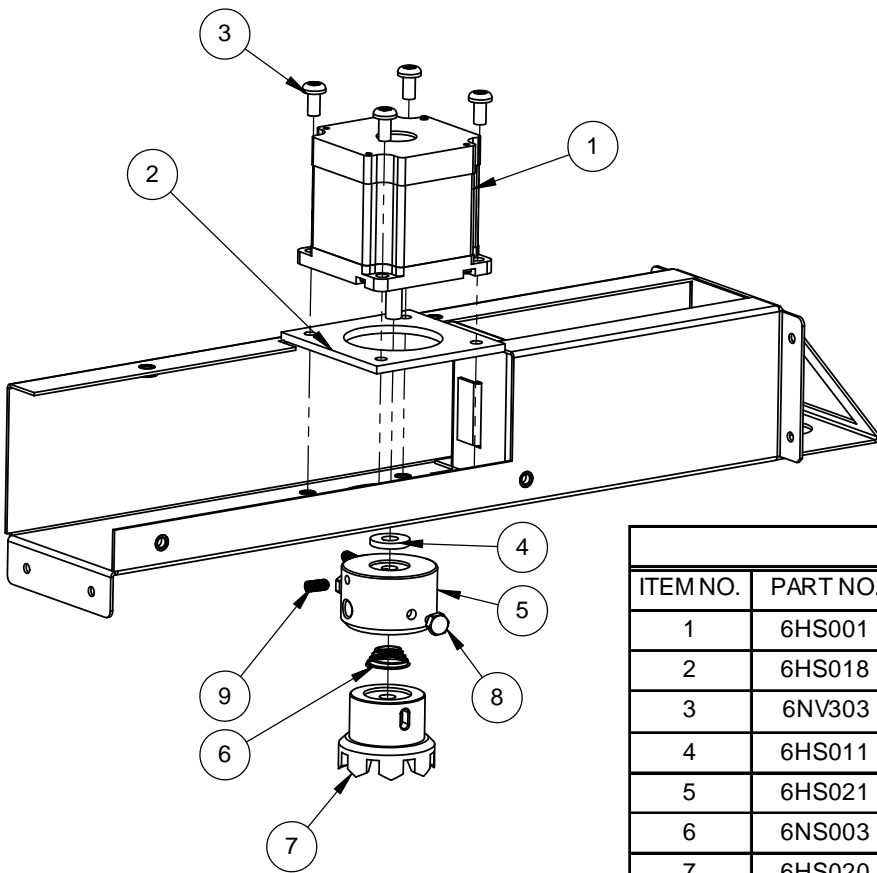
**2HT689-C**

2HA001-C PARTS LIST			
ITEM NO.	PART NO.	DESCRIPTION	QTY
1	6HV001	MOTOR, PFC	1
2	6SA026	CAM, DRAWER MOTOR PFA	1
3	6SA018-C	BRACKET DRAWER MOTOR MOUNT	1
4	6NV303	SCREW, 10-32X.375 PAN HEAD PHILL SS	4
5	6SA025	ADAPTOR DRAWER MOTOR, PFA	1
6	60176702	PIN, ROLL .125D X .750L	1
7	6NT519	SCREW, SET 6-32X.188 SOCKET	1
NS	4CT685	WIRE SET MOTOR	1
NS	6WT651	CAPACITOR 1UF	2
NS	6WT876	DIODE TUS BI-DIRECTIONAL	1
NS	6WV089	CAPACITOR 22 PF	1

2HA002-C PARTS LIST			
ITEM NO.	PART NO.	DESCRIPTION	QTY
1	6SA020-C	BRACKET BASKET MOTOR MOUNT PFA	1
2	6HA002	MOTOR, BASKET PFA	1
3	6SA019-C	BRACKET MICROSWITCH	1
4	6HA006	SWITCH, ROLLER LEVEL PFA	2
5	6SA027	ADAPTOR, BASKET MOTOR PFA	1
6	6NV303	SCREW, 10-32X.375 PAN HEAD PHILL SS	4
7	6NA002	SCREW, .250X.375 PHILL PLATED	4
8	6SA028	CAM, BASKET MOTOR PFA	1
9	6NA003	SCREW, SET .250X20 SOCKET	1
10	60176702	PIN, ROLL .125D X .750L	1
11	6NT915	SCREW, 4-40X.625 TRUSS PHILL	4
12	6NA001	NUT, 4-40 HEX SS	4
NS	4CT885	WIRE SET MOTOR	1
NS	6WT651	CAPACITOR 1UF	1
NS	6WT876	DIODE TVS BI-DIRECTIONAL	1
NS	6WV089	CAPACITOR 22PF	1

NS = NOT SHOWN

2HT689-C PARTS LIST			
ITEM NO.	PART NO.	DESCRIPTION	QTY
1	6ST649-C	BRACKET BASKET MOTOR MOUNT PFC	1
2	6HV001	MOTOR, BASKET PFC	1
3	6ST650	ADAPTOR BASKET MOTOR PFC	1
4	6NV303	SCREW, 10-32X.375 PAN HEAD PHILL SS	4
5	60176701	PIN, ROLL .125D X .500L	1
NS	4CT885	WIRE SET MOTOR	1
NS	6WT651	CAPACITOR 1UF	2
NS	6WT876	DIODE TYS BI-DIRECTIONAL	1
NS	6WV089	CAPACITOR 22PF	1



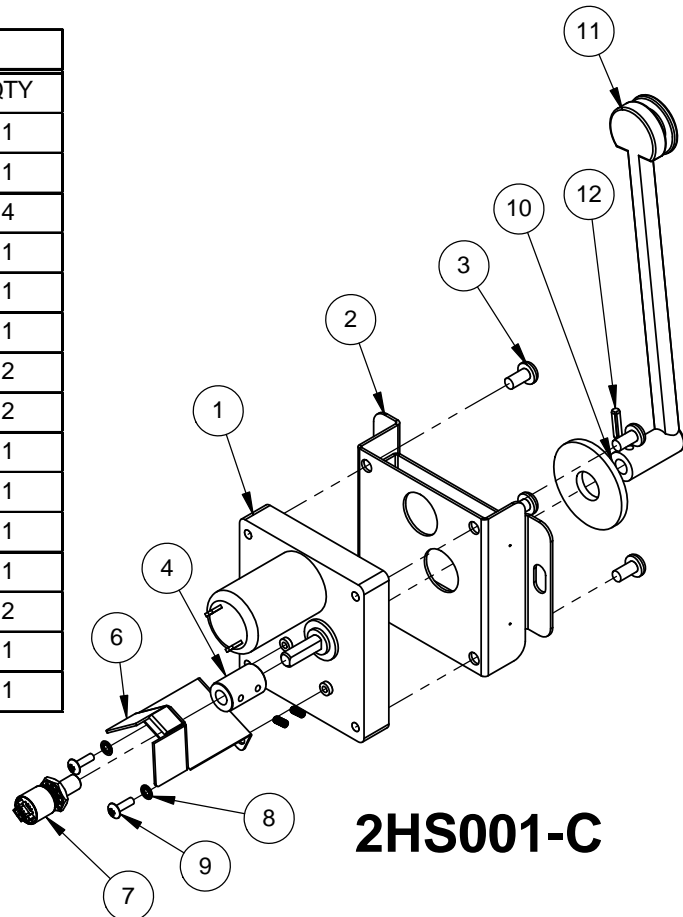
## 2HS002-C

### 2HS002-C PARTS LIST

ITEM NO.	PART NO.	DESCRIPTION	QTY
1	6HS001	MOTOR, SPIN	1
2	6HS018	GASKET, MOTOR SPIN	1
3	6NV303	SCREW, 10-32X.375 PAN HEAD PHILL SS	4
4	6HS011	WASHER, BEARING THRUST MOTOR	1
5	6HS021	CUP, CLUTCH SPRING	1
6	6NS003	SPRING, CLUTCH SFC	1
7	6HS020	COUPLER, CLUTCH TOOTH	1
8	6HS022	SCREW, PIN	2
9	6NS004	SCREW, SET 8-32	2

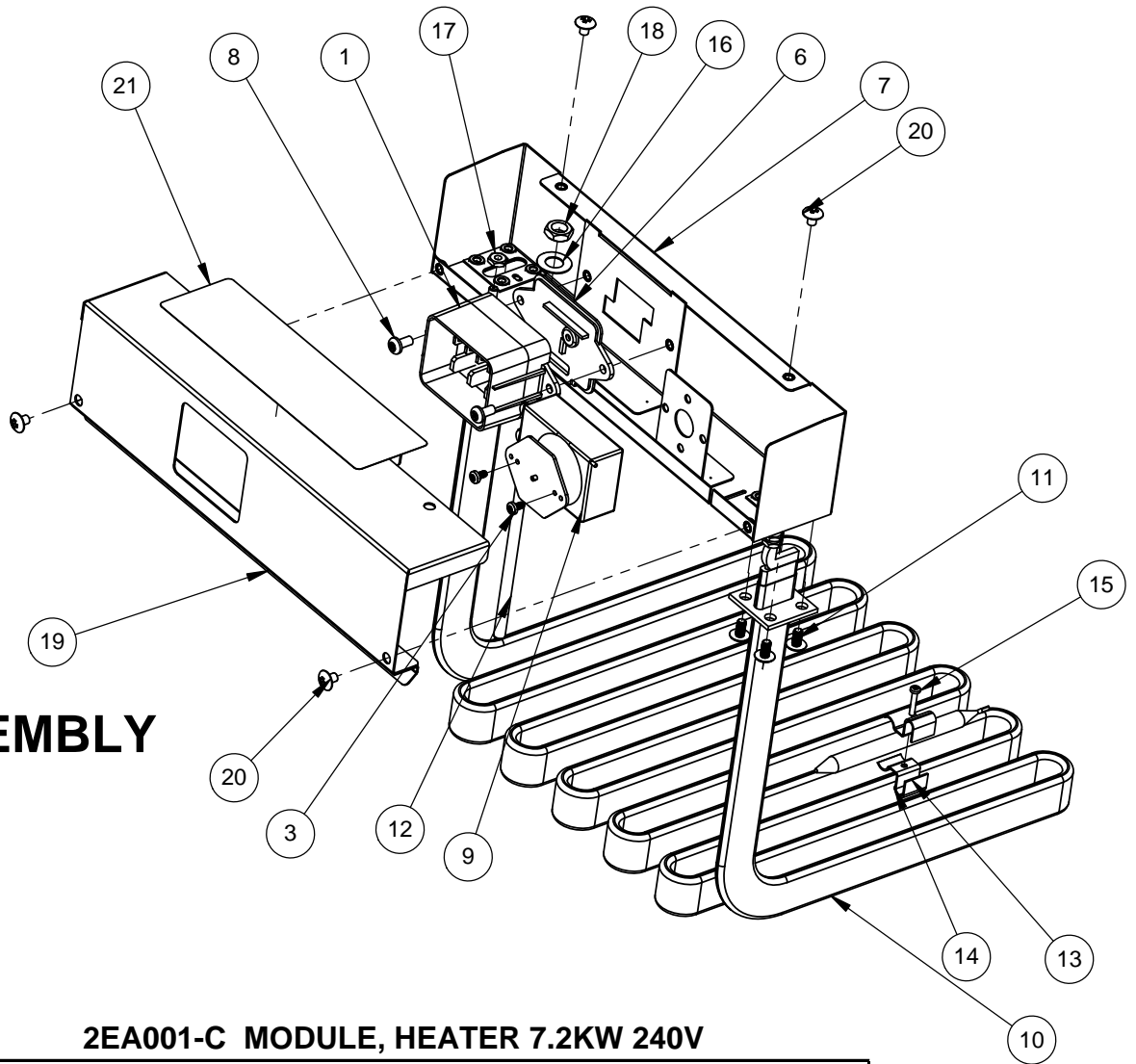
### 2HS001-C PARTS LIST

ITEM NO.	PART NO.	DESCRIPTION	QTY
1	6HV001	MOTOR, RAW PFC AND PFA BASKET	1
2	6SS019-C	BRACKET, BASKET MOTOR MOUNT SFC	1
3	6NV303	SCREW, 10-32X.375 PAN HEAD PHILL SS	4
4	6HS024	COUPLER, ENCODER	1
6	6SS029-C	BRACKET, ENCODER	1
7	6HS023	ENCODER, ROTARY	1
8	6NT858	WASHER, LOCK #4 SS	2
9	6NV273	SCREW, 4-40 X .375 TRUSS PHILL SS	2
10	6HS006	GASKET, BASKET MOTOR SF	1
11	6SS028	ARM, MOTOR SFC	1
12	60176701	PIN, ROLL .125D X .500L	1
NS	4CT885	WIRE SET MOTOR	1
NS	6WT651	CAPACITOR 1uF	2
NS	6WT876	DIODE TVS BI-DIRECTIONAL	1
NS	6WV089	CAPACITOR 22pF	1



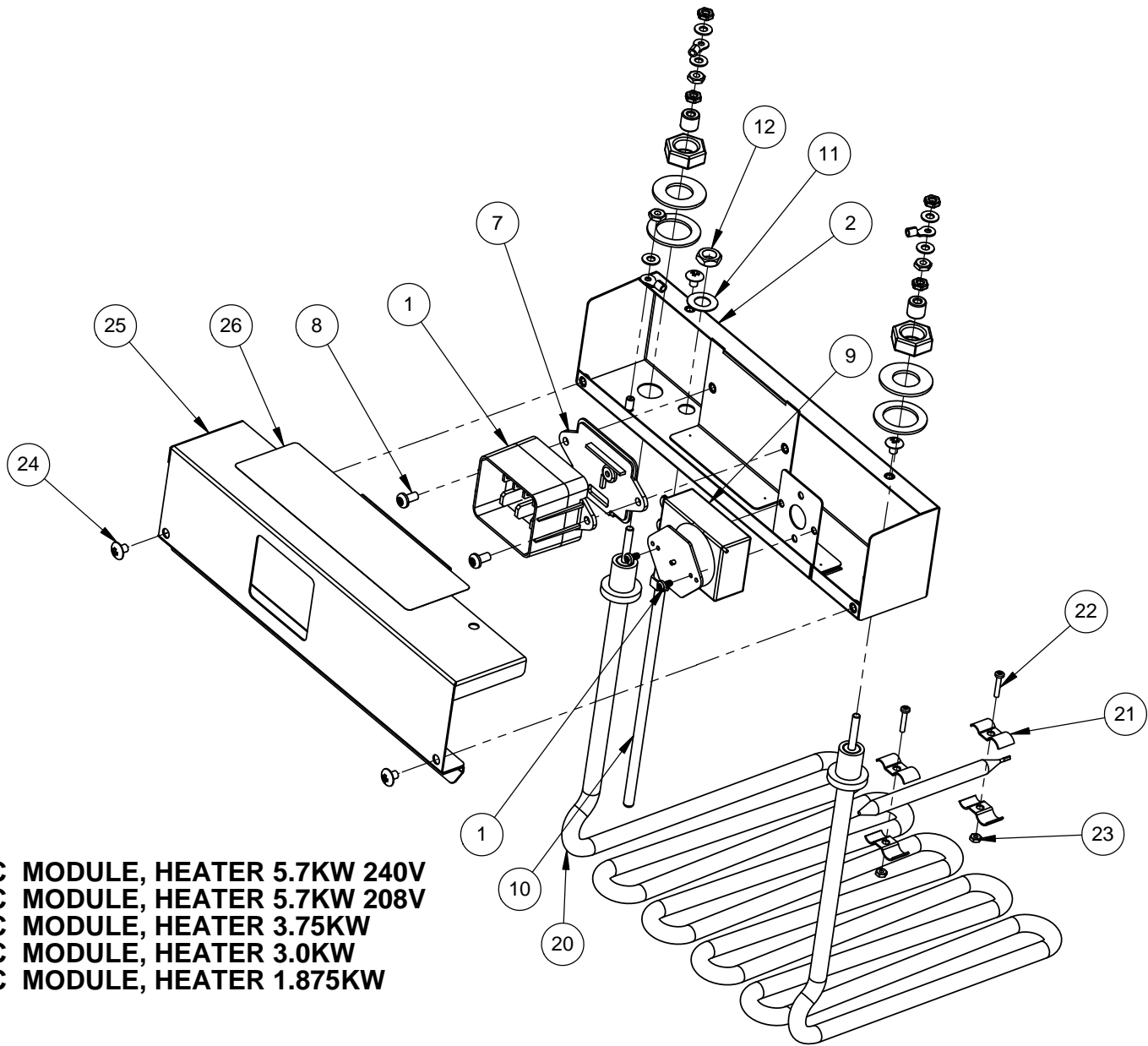
## 2HS001-C

# HEATER ASSEMBLY



## 2EA001-C MODULE, HEATER 7.2KW 240V

2EA001-C PARTS LIST			
ITEM NO.	PART NO.	DESCRIPTION	QTY
1	6ET756	BODY MALE CONNECTOR	1
2 (NS)	4ET986	TERM, MALE POWER (PLATED 6ET584)	3
3	6NT829	SCREW, 6-32 X .250 ROUND PLATED	2
4 (NS)	4ET985	TERMINAL MALE CONTROL	4
6	6ET757	BACK MALE CONNECTOR	1
7	6SA012-C	BOX HEATER ASSEMBLY	1
8	6NV303	SCREW, 10-32X.375 PAN HEAD PHILL SS	2
9	6EV010	OVERTEMP, SECONDARY	1
10	6EA001	ELEMENT, FIREBAR 7200W 240V	1
11	6NA008	SCREW, 10-32X.375 TRUSS PHIL SS	8
12	6ET754	PROBE, RTD	1
13	6EA002	FIREBAR CLAMP	2
14	6NA001	NUT, 4-40 HEX SS	1
15	6NT915	SCREW, 4-40X.625 TRUSS PHILL	1
16	6NT003	WASHER FIBRE .438 X .73 X .0625	1
17	6NV174	NUT, 10-32 HEX SS	1
18	6NT001	NUT, .125 NPS BRASS HEX	1
19	6ST816-C	TOP HEATER BOX	1
20	6NV074	SCREW, 10-32 X .250 TRUSS PHIL SS	4
21	6LT011	LABEL, HEATER MODULE SERIAL NUMBER	1
22 (NS)	4ET759	WIRE SET MALE CONNECTOR	1
23 (NS)	6LT008	LABEL, MAIN INSERT SERIAL NUMBER	0.02

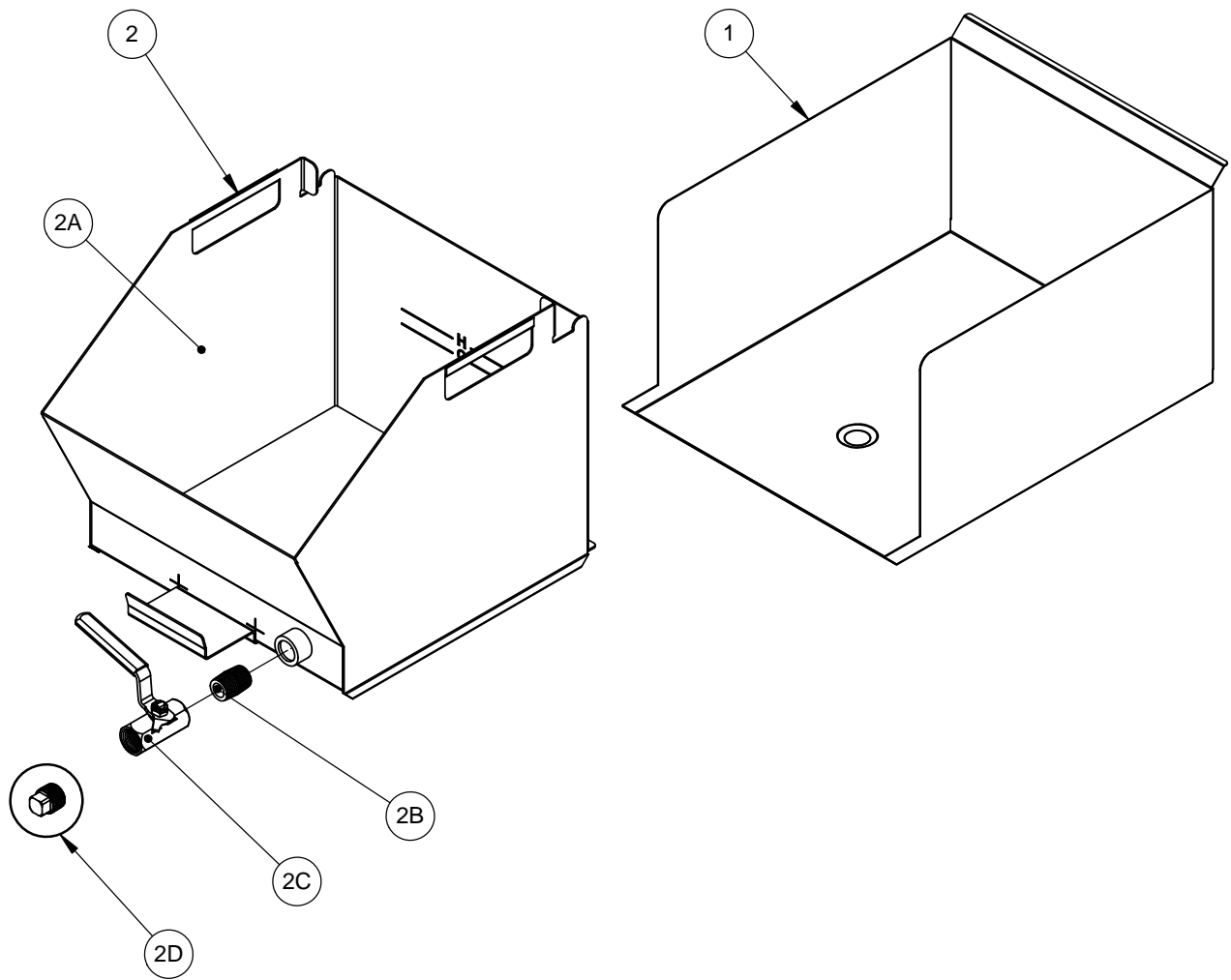


**8ET900-C MODULE, HEATER 5.7KW 240V**  
**2ET922-C MODULE, HEATER 5.7KW 208V**  
**2ET763-C MODULE, HEATER 3.75KW**  
**2ET762-C MODULE, HEATER 3.0KW**  
**2ET760-C MODULE, HEATER 1.875KW**

**PARTS LIST**

ITEM NO.	PART NO.	DESCRIPTION	QTY	ITEM NO.	PART NO.	DESCRIPTION	QTY
1	6ET756	BODY MALE CONNECTOR	1	11	6NT003	WASHER FIBRE .438 X .73 X .0625	1
2	6ST815-C	BOX HEATER ASSEMBLY PFC	1	12	6NT001	NUT, .125 NPS BRASS HEX	1
3 (NS)	4ET986	TERM, MALE POWER (PLATED 6ET584)	3	13	6NV174	NUT, 10-32 HEX SS	3
4	6NT829	SCREW, 6-32 X .250 ROUND PLATED	5	20	6ET910	ELEMENT, TUBE 5700W 208V	1
5 (NS)	4ET759	WIRE SET MALE CONN	1	21	6EV215	CLAMP,CAPILLARY BULB	4
6 (NS)	4ET985	TERMINAL MALE CONTROL	4	22	6NT915	SCREW, 4-40X.625 TRUSS PHILL	2
7	6ET757	BACK MALE CONNECTOR	1	23	6NA001	NUT, 4-40 HEX SS	2
8	6NV303	SCREW, 10-32X.375 PAN HEAD PHILL SS	2	24	6NV074	SCREW, 10-32 X .250 TRUSS PHIL SS	4
9	6EV010	OVERTEMP, SECONDARY	1	25	6ST816-C	TOP HEATER BOX	1
10	6ET754	PROBE, RTD	1	26	6LT011	LABEL, HEATER MODULE SERIAL NUMBER	1
NS	6ET910	ELEMENT, TUBE 5700W 208V	-	NS	6ET750	ELEMENT, TUBE 1875W 120V	-
NS	6ET502	ELEMENT, TUBE 3750W 240V	-	NS	6ET501	ELEMENT, TUBE 1500W 120V	-
NS	6ET752	ELEMENT, TUBE 3000W 240V	-				

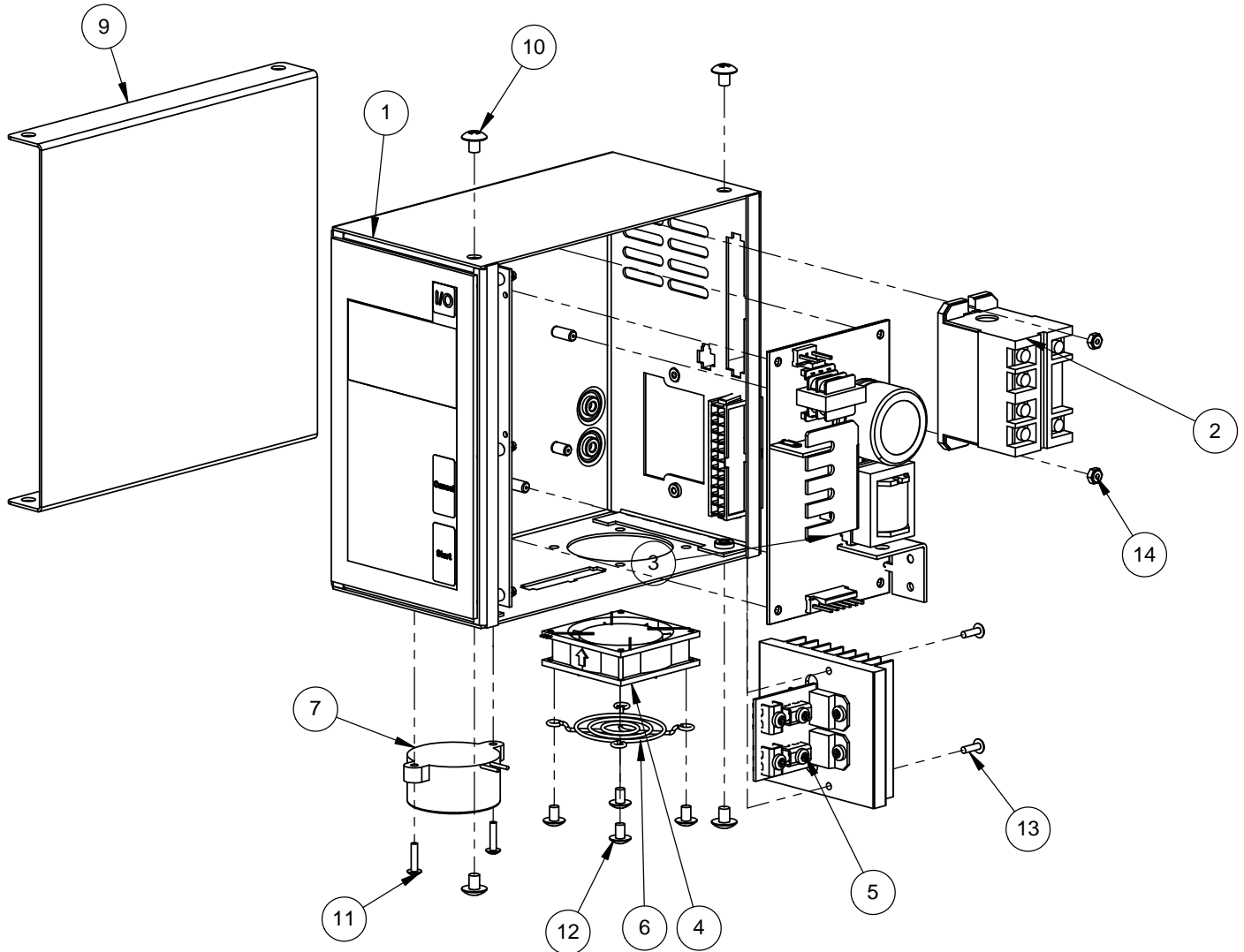
# PERFECT FRY OIL VATS AND SPILL TRAYS



PARTS LIST					
ITEM NO.	PART NO.	DESCRIPTION	PFA QUANTITY	SFC QUANTITY	PFC QUANTITY
1	6SA022-C	TRAY, SPILL PFA	1	-	-
NS	6SS002-C	TRAY, SPILL SFC	-	1	-
NS	6ST734-C	TRAY, SPILL PFC	-	-	1
2	2DT003-C	ASSEMBLY, VAT OIL 11 LITER	1	-	-
NS	2DT009-C	ASSEMBLY, VAT OIL SFC	-	1	-
NS	2DT005-C	ASSEMBLY, VAT OIL PFC	-	-	1
2A	6SA003-C	VAT, OIL 11 LITER	1	-	-
NS	6SS003-C	VAT, OIL SFC	-	1	-
NS	6ST737-C	VAT, OIL PFC	-	-	1
2B	6DT934	NIPPLE, .500 NPT CL SS	1	-	-
2C	6DT930	VALVE, OIL MANUAL BALL SS	1	-	-
2D	6DT935	PLUG, 1/2" SQUARE HEAD SS	-	1	1
NS	2DT931	KIT, OIL DRAINAGE	OPTION		
NS	6HT739	HOSE, OIL DRAINAGE	OPTION		



# 2WS802 - EBOX ASSEMBLY



**2WS802-C PARTS LIST**

ITEM NO.	PART NO.	DESCRIPTION	QTY	ITEM NO.	PART NO.	DESCRIPTION
1	6ST605-C	BOX ELECTRONICS ASSEMBLY	1	NS	4CT005	WRG, HARN EBOX P4 & J102
2	6WT600	RELAY, 12VAC TWO POLE	1	NS	4CT683	HARNESS E-BOX CNTRL 2
3	6WT608	BOARD, POWERSUPPLY 12V	1	NS	4CT685	HARNESS E-BOX PWR
4	6HT912	FAN, EBOX 12V	1	NS	6CT560	TERMINAL FEMALES MOLEX
5	3WT004	ASSEMBLY,SCR BOARD	1	NS	6LT842	LBL,E-BOX MDL SN#
6	6HT001	GUARD FINGER E-BOX FAN	1	NS	6MV063	SILVER VOID TAPE
7	6WT844	BUZZER E-BOX	1	NS	6NT004	SPR NYL N 6-32 THRD FMALE
9	6ST606-C	COVER ELECTRONICS BOX	1	NS	6NT829	SCR 6-32X1/4 RNDROB PLATED
10	6NV074	SCREW, 10-32 X .250 TRUSS PHIL	4	NS	6NT858	WSHR FLAT #4 PLATED
11	6NT998	SCREW, 4-40 X .500 PAN PHIL	2	NS	6NV173	WSHR LK #10 INTERNAL TOOTH
12	6NT914	SCREW, 8-32 X .250 TRUSS PHILL	4	NS	6NV174	NUT 10-32 HEX SS
13	6NT859	SCREW, 4-40 X .375 TRUSS PHILL	2	NS	6WT571	KEYPAD
14	6NV270	NUT, 4-40 NYLON LOCK	2	NS	6CT570	HOUSING POWER RECPT 6 PIN

NS = NOT SHOWN



In the event of problems with, or questions about, your order, please contact the Perfect Fry factory at:  
(603) 225-6684 World Wide  
[www.perfectfry.com](http://www.perfectfry.com)

In the event of problems with, or questions about, your equipment, please contact the Perfect Fry Authorized Service and Parts (ASAP) representative covering your area, or contact Perfect Fry at the number listed to the left.

Mailing Address - P.O. Box 501, Concord, NH 03202-0501  
Shipping Address - 10 Ferry St., Concord, NH 03301